



Opening a PIX Firewall Chassis

The instructions in this chapter describe how to open the top of the PIX Firewall chassis so you can add upgrade boards and system memory.

This chapter includes the following sections, which provide information for each PIX Firewall model:

- Opening a PIX 515
- Opening a PIX 510 and PIX 520
- Opening a PIX10000
- Opening a PIX Firewall Classic
- Replacing a Lithium Battery



Note

The PIX 506 chassis should not be opened. The PIX 506 does not contain user-serviceable components.



Note

The PIX 525 top panel should not be opened. If you need to open the top panel, use the procedure in the section “Opening a PIX 515” for related information.



Note

Opening the PIX Firewall case does not affect your Cisco warranty. Upgrading the PIX Firewall does not require any special tools and does not create any radio frequency leaks.



Note

Save the existing configuration to Flash memory with the **write memory** command.

Opening a PIX 515

Follow these steps to open a PIX 515:

- Step 1** Read the *Cisco PIX Firewall Regulatory Compliance and Safety Information* document for your respective software version referenced in the section, “Related Documentation” in “About This Manual.”
- Step 2** Ensure that the PIX 515 is powered off. Unplug the power cord from the power outlet. Once the upgrade is complete, you may safely reconnect the power cord.

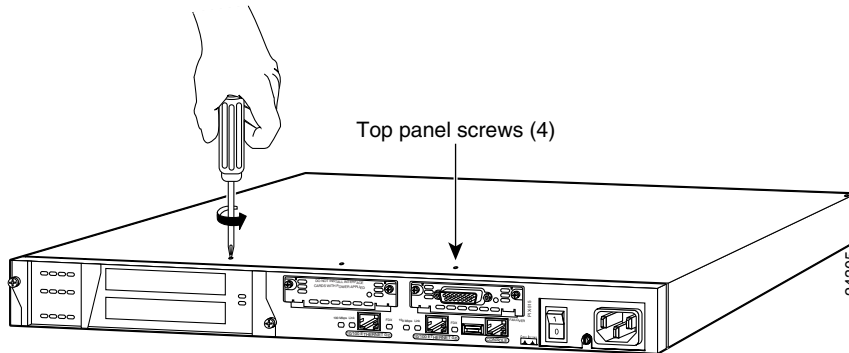


Warning

Before working on a system that has an On/Off switch, turn OFF the power and unplug the power cord.

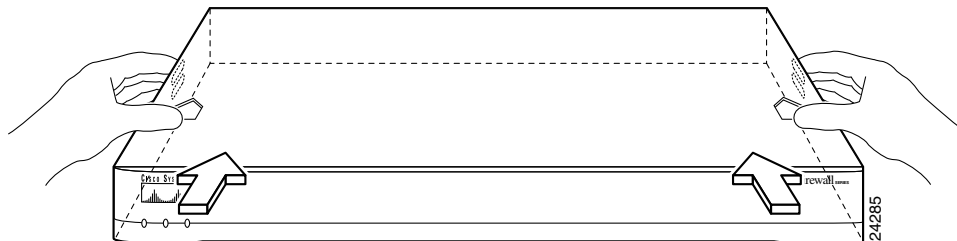
- Step 3** As shown in Figure 5-1, remove the screws from the front of the top panel on the PIX 515.

Figure 5-1 Removing PIX 515 Top Panel Screws



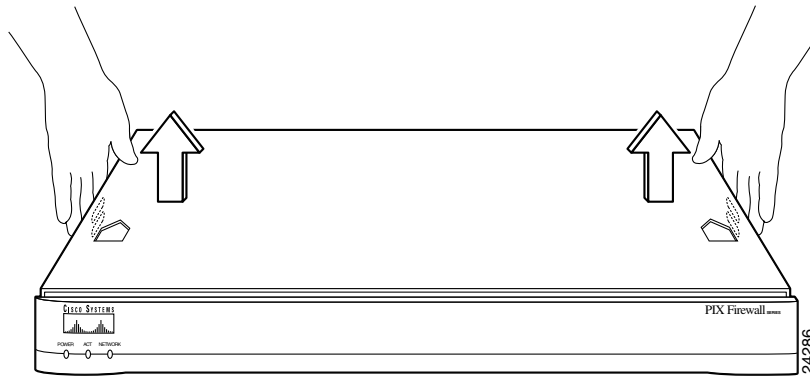
- Step 4** With the front of the unit facing you, push the top panel back by about one inch as shown in Figure 5-2.

Figure 5-2 Pushing Back the Top Panel



- Step 5** Pull the top panel up as shown in Figure 5-3. Put the top panel in a safe place.

Figure 5-3 Pull the Top Panel up to Remove



Opening a PIX 510 and PIX 520

Follow these steps to open a PIX 510 and PIX 520 chassis:

- Step 1** Read the *Cisco PIX Firewall Regulatory Compliance and Safety Information* document for your respective software version referenced in the section, “Related Documentation” in “About This Manual.”
- Step 2** Ensure that the PIX Firewall is powered off. Unplug the power cord from the power outlet. Once the upgrade is complete, you may safely reconnect the power cord.

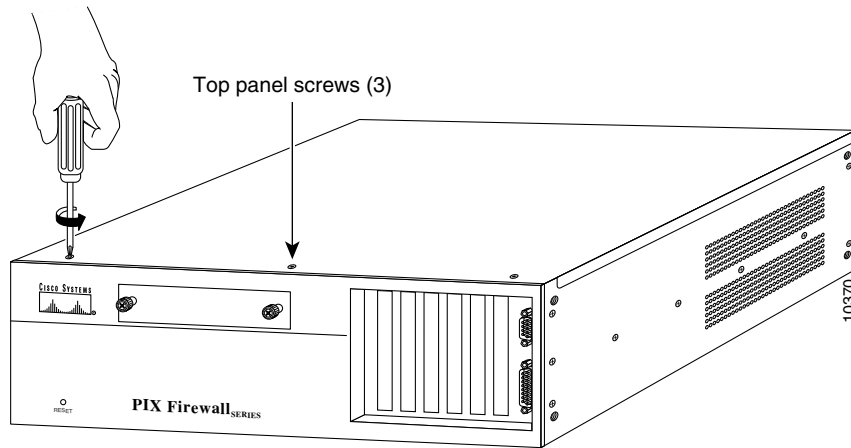


Warning

Before working on a system that has an On/Off switch, turn OFF the power and unplug the power cord.

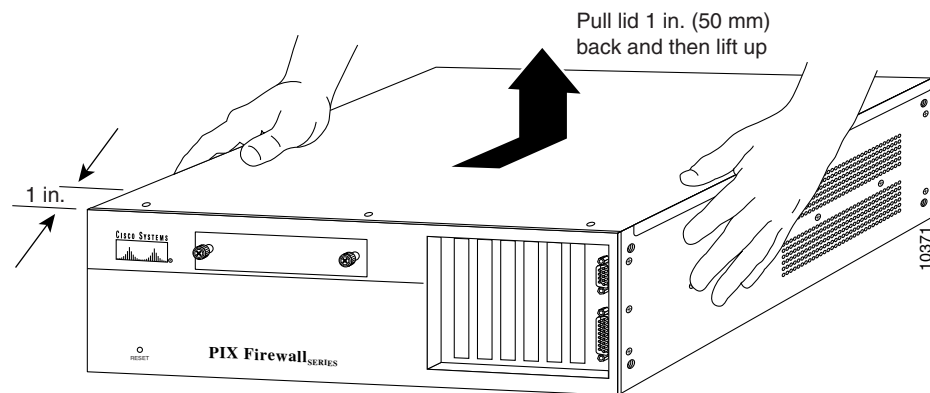
Step 3 Remove the three screws holding the top panel in place, as shown in Figure 5-4.

Figure 5-4 Removing the Top Panel Screws



Step 4 Remove the top panel as shown in Figure 5-5.

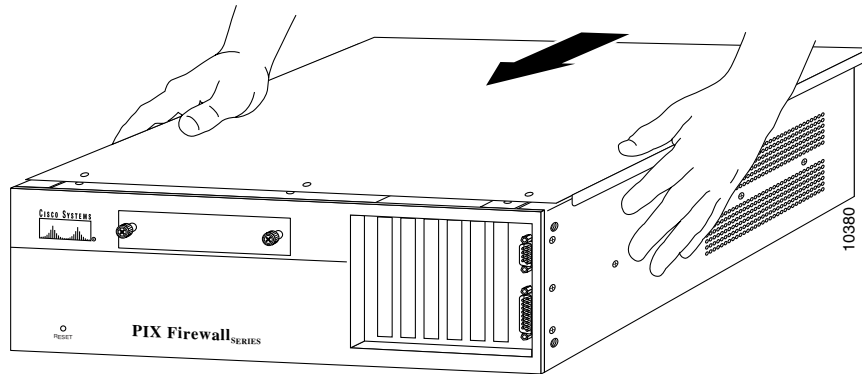
Figure 5-5 Removing the Top Panel



Closing a PIX 510 and PIX 520 Chassis

Replace the top panel, as shown in Figure 5-6, and secure it with the three screws you removed in Step 3 in the previous section.

Figure 5-6 Replacing the Top Panel

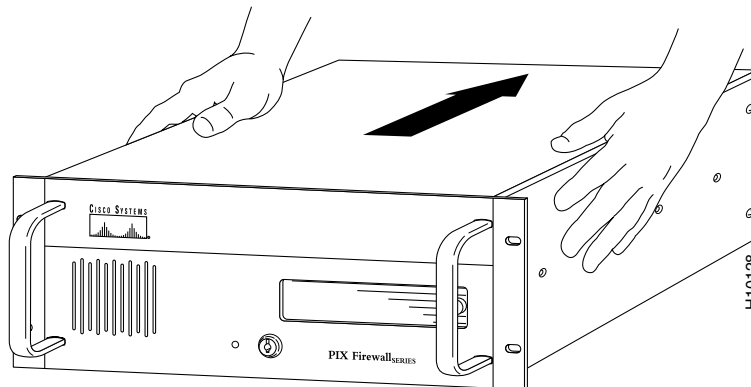


Opening a PIX10000

Follow these steps to open a PIX10000 chassis:

- Step 1** Power off the unit from the rear panel.
- Step 2** Remove the four screws from the top panel at the rear of the unit.
- Step 3** Grasp the top panel with both hands as shown in Figure 5-7 and pull the top panel backward one inch toward the rear of the cabinet and then lift the top panel straight up.

Figure 5-7 Opening the PIX10000 Chassis

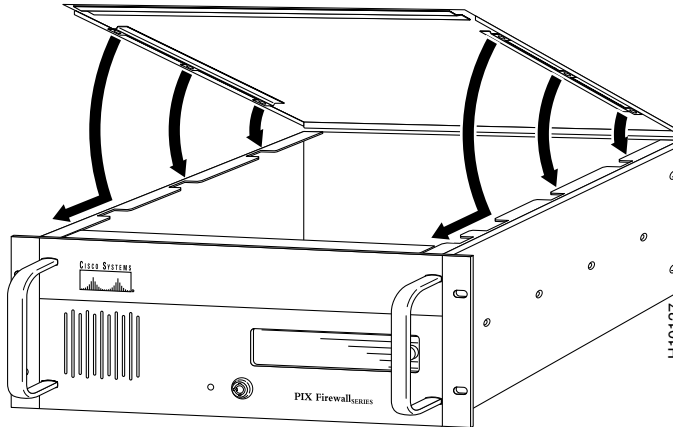


Closing a PIX10000

Follow these steps to close a PIX10000 chassis:

- Step 1** Attach the top panel as shown in Figure 5-8. The three slots in the top panel must fit into the openings in the lips at the top of the chassis. Lower the top panel into the cabinet openings and push the top panel forward toward the front of the unit to secure it.

Figure 5-8 Attach the PIX10000 Top Panel by Matching the Slots



- Step 2** Attach the four screws at the rear of the top panel.
- Step 3** Put the unit back on the equipment rack and plug in the cables and the power cord.
- Step 4** Power on the unit from the switch at the rear of the unit.

Opening a PIX Firewall Classic

Follow these steps to open the chassis for this model:

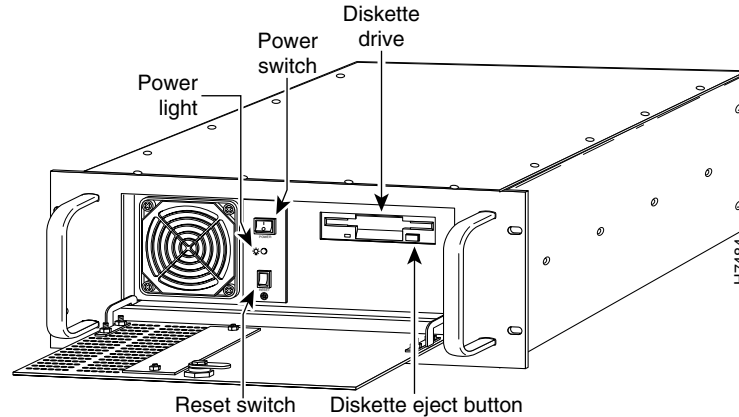
- Step 1** Read the *Regulatory Compliance and Safety Information for the Cisco Secure PIX Firewall* document for your respective software version referenced in the section, “Related Documentation” in “About This Manual.”
- Step 2** Ensure that the PIX Firewall is powered off. Unplug the power cord from the power outlet. Once the upgrade is complete, you may safely reconnect the power cord.



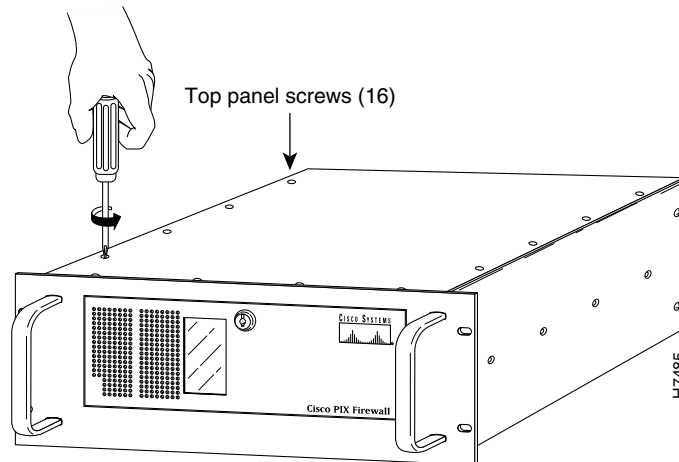
Warning

Before working on a system that has an On/Off switch, turn OFF the power and unplug the power cord.

- Step 3** Open the front panel and power off the unit as shown in Figure 5-9.

Figure 5-9 Opening the Front Panel Provides Access to the Power Switch

- Step 4** At the back of the PIX Firewall unit, remove the power cord and if you are replacing a board, any cabling related to it.
- Step 5** Remove the unit from the equipment rack and place it on a stable work surface.
- Step 6** Detach the top panel by using a Phillips-head screwdriver to remove the 16 screws securing the top panel (12 on top and 4 on the rear cover flange) as shown in Figure 5-10.

Figure 5-10 Removing the Top Panel Screws

- Step 7** Remove the top panel.

Replacing a Lithium Battery

The PIX Firewall has a lithium battery on its main circuit board. This battery has an operating life of about 10 years. When the battery loses its charge, the PIX Firewall cannot function. You must call Cisco Technical Support to replace the battery.

**Note**

Do not attempt to replace this battery yourself.

**Warning**

Danger of explosion exists if the lithium battery is incorrectly replaced. Replace only with the same or equivalent type recommended by the manufacturer. Dispose of used batteries according to the manufacturer's instructions.

Free Manuals Download Website

<http://myh66.com>

<http://usermanuals.us>

<http://www.somanuals.com>

<http://www.4manuals.cc>

<http://www.manual-lib.com>

<http://www.404manual.com>

<http://www.luxmanual.com>

<http://aubethermostatmanual.com>

Golf course search by state

<http://golfingnear.com>

Email search by domain

<http://emailbydomain.com>

Auto manuals search

<http://auto.somanuals.com>

TV manuals search

<http://tv.somanuals.com>