

IPSO - LSG n.v.



IPSO

Instruction manual IPSO RI 800-16

**Technical specifications
Installation instructions
Operating instructions
Maintenance**



Nieuwstraat 146 - B-8560 Wevelgem (België)
Tel. 056/41 20 54 - Fax 056/41 86 74

Part No. D0163

General Information

Dear Customer,

Please read the instructions for use before first using your ironing machine. These instructions provide important information on safety, use and maintenance of your appliance. They will protect you and prevent damage to the appliance. Keep these instructions for use in a safe place and pass them on to any subsequent owners.

This ironer is a domestic appliance and is not intended for commercial industrial use.

Transport damages

Check the appliance for transport damages immediately. If the appliance has been damaged, do not put the appliance into operation in case of doubt, but contact the dealer or supplier.

Disposal of the transport packaging

The packaging protects the appliance from transport damages. Environmental compatibility and waste disposal are taken into account when selecting the packaging material; it is therefore recyclable. Recycling the packaging saves on raw materials and reduces waste. Please contact your local council for information on your nearest disposal point; otherwise, your specialist dealer will also accept the packaging.

Disposal of your old appliance

The old appliance must be made unusable before scrapping, in other words, the power supply cord must be removed.

All plastic parts are marked with standard international abbreviations, allowing easy sorting and environmentally-aware recycling when disposing of the appliance. Please contact your local council for information on your nearest disposal point; otherwise, your specialist dealer will also accept the old appliance.

Technical assistance

In the event of queries and requests for technical information and in the event of faults or if you need a spare part for your appliance, please contact the service point specified in the warranty documents.

Please state the precise appliance designation and the serial number, to enable us to help you quickly.

The cotton cover of the ironing roller and the pilot light in the main switch are so-called wearing parts and are not included in the warranty.

DESCRIPTION

The ironer can iron and press. During ironing the roll turns, during pressing the roll is stationary.

The footswitch has two working functions and one stationary function.
In the working position, the ironing plate is swung in, so you can iron or press.
In the idle position, the ironing plate is swung away and the roll is stationary.

The roller has a complete forwards free movement.
The roller is hung up at one side and free at the other.
The rotation of the roll is driven by an electric motor.

The ironing plate is installed on the pressure arm, which by pressing the footswitch moves towards the roll and by releasing away from the roll.

The movement of the ironing plate is operated by a motor and a gearwheel drive.

The motor for rotating the roller is installed in the head of the roll.

The motor for the tension and releasing is put in in the baseplate.

At the left side of the finger guard, a microswitch is installed for the automatic swinging away of the ironing plate.

The footswitch has two microswitches to command the printed circuit board which is installed in the head of the roll.

In the baseplate you can find two switches to command the roll to swing in and out.

On the ironinghead there is a button to regulate the speed of the rotation.

TECHNICAL INFORMATION

Standards	EN60335-2-44 EN55014-1 EN55014-2 EN61000-3-2 EN61000-3-3			
Characteristics	VDE-GS VDE-EMC			
Electrical connection	2780 Watt	220-240V	50 Hz	16 A
Dimensions	Working position Folded	Total height ca 1020 mm ca 1060 mm	Total depth ca 390 mm ca 390 mm	Total length ca 980 mm ca 590 mm
Weigth	ca 46 Kg			
Height (up to the lower part of the base plate)	ca 640 mm			
Roller Length	ca 855 mm			
Roller Diameter	ca 160 mm			
Roller Pressure	ca 17.5kg + 0.5kg per mm laundry thickness			
Rotation	Min 8 – max 15 r/pm			
Distance between Ironing plate and roller (swung away)	35 - 40 mm			
Quantity of thermostats	2 pcs			
Heating element	1 x 2580 W			
Motor load	150 W / 130 W			
Transmission	1 : 422 / 1 : 85			
On/Off switch (rocker switch)	0 - 1 with red pilot light			

FAULTS

<i>FAULT</i>	<i>SOURCE</i>
The temperature of the ironing plate does not correspond with the indicators on the temperature selectors	<ol style="list-style-type: none"> 1. Thermostat defect – to be replaced 2. Temperature sensor is not close enough to the ironing plate.
The ironing plate does not heat up	<ol style="list-style-type: none"> 1. The thermostat is on "cold" 2. The rocker switch is set to "0" 3. The electrical connection is interrupted 4. Rocker switch defect – to be replaced 5. Thermostat defect – to be replaced 6. Heating element defect 7. Fuse defect – to be replaced
Does not iron equally along the whole length	<ol style="list-style-type: none"> 1. Check the tension of the ironing plate and the parallelism with the roll
The pressure of the ironingplate is too low.	<ol style="list-style-type: none"> 1. Check the adjustment of the ironing plate and the parallelism with the roll 2. Motor for swinging the ironing plate is defect 3. Microswitch on the pressure arm switches to soon
During ironing, the roll is too noisy	<ol style="list-style-type: none"> 1. Rollermotor defect 2. Check correct placement of the roller 3. Bearing in the roller defect 4. Gearwheeldrive defect
The roll does not rotate during ironing	<ol style="list-style-type: none"> 1. Check roll and fixation of the roll. 2. Microswitch in footswitch does not function 3. Check the connections on the PCB 4. Check the gearwheeldrive 5. Bearing the roll defect
Ironing plate does not close	<ol style="list-style-type: none"> 1. Microswitch of the fingerguard is defect 2. Finger guard does not lay on the microswitch in resting position 3. Check the connection on the printed circuit board

<p>The closing of the ironingplate does not function when the footswitch is activated.</p>	<ol style="list-style-type: none"> 1. Rocker switch on "0" 2. The electrical connection is interrupted 3. Microswitch in footswitch defect 4. Check connection of the cable in the footswitch and the rollerhead. 5. Motor in ironing plate defect 6. Gearwheel drive defect 7. Lever on the pressure arm defect
<p>Roller rotates even when the footswitch is not activated.</p>	<ol style="list-style-type: none"> 1. Microswitch on the pressure arm defect 2. Footswitch defect 3. Printed circuit board defect
<p>The ironingplate rests against the roll when the footswitch is not activated.</p>	<ol style="list-style-type: none"> 1. Spring on the pressure arm is defect

ELECTRICAL DIAGRAM

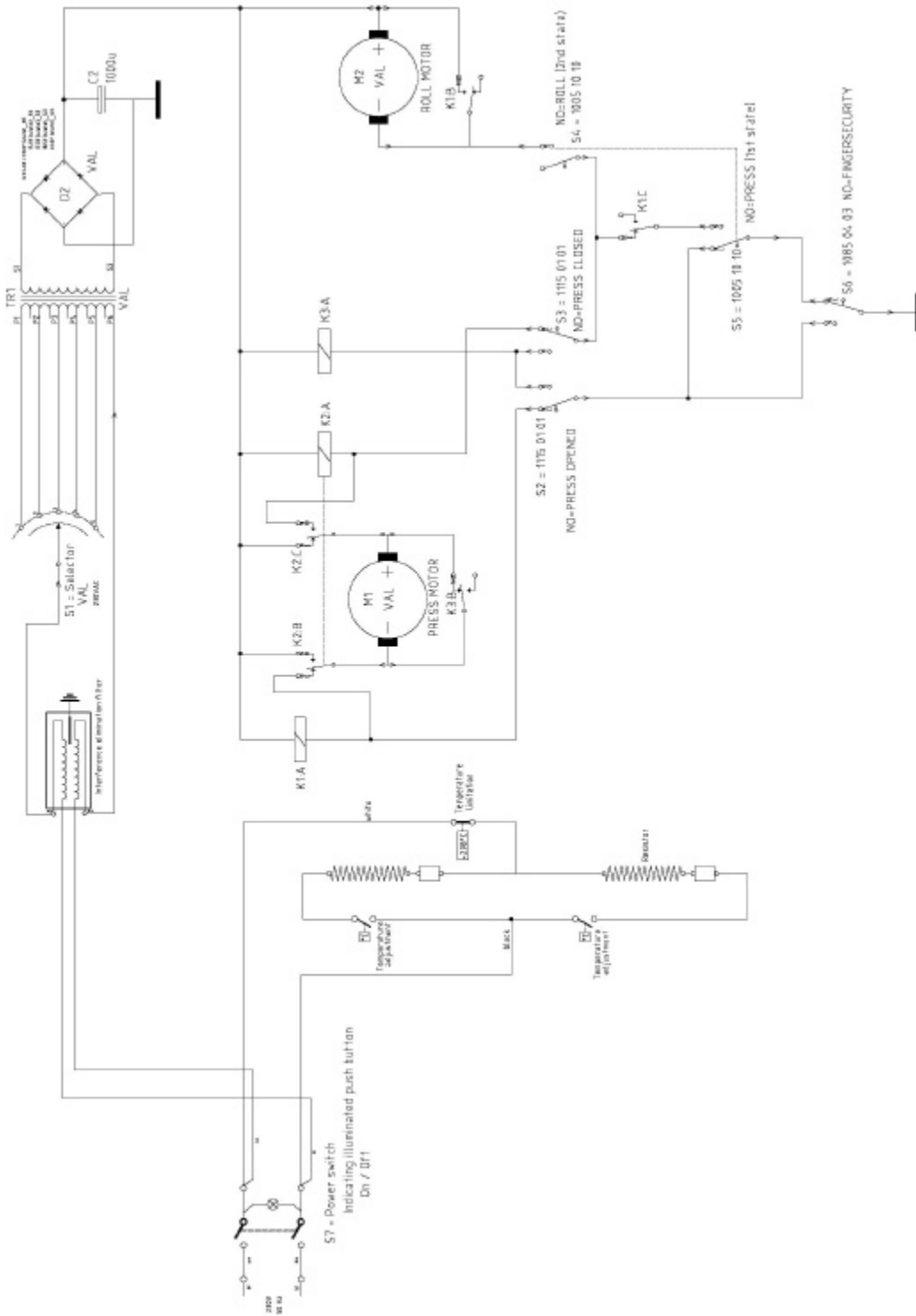


Table of contents – Technical Data

	Page
General information	2
List of contents – Technical data	3
Safety information	4
Electrical safety	5
Important information	6
Safety functions	7
Ironer - overview	8
Setting up the ironer	9
Operator's controls	10
Before ironing	11
Ironing temperatures – Ironing tips	12
Ironing	13
Ironing	14
Care of your ironing machine	15
Customer service	16

Connection

Mains voltage.....	220-240 Volt
Alternating current	50 Hz
Connected load.....	approx..2780 Watt
Fuse	16 ampere

Scope of supply:

Rotary ironer in transport packaging
Instructions for use
Warranty card / Customer service directory

Dimensions:

Overall height	102	unfolded	106	folded up
Overall length	98	unfolded	59	folded up
Overall depth	39	unfolded	39	folded up
Height to bottom edge of table	64cm			
Roller length	approx. 85,5 cm			
Roller diameter	approx. 16 cm			
Roller speed	from min. 8 rpm			
.....	to max. 15 rpm			
Weight	approx. 46 kg			

The appliance has the VDE symbol and complies with the following EC directives:

- 73/23/EEC (Low Voltage Directive)
- 89/2336/EEC (Electromagnetic Compatibility)

Safety Information

Safety Information

Intended use!

The ironing machine must only be used to iron fabrics that are suitable as indicated by the care label and that have been washed in water. Treat printed or plastic motifs with care.

Caution, keep away from children!

The appliance must only be used by adults. The appliance becomes hot during use and is dangerous when used or played with by children.

Further safety instructions!

- When the appliance is hot, there is an acute **risk of burning**,
 - if you touch the ironing plate,
 - if, when straightening and smoothing the laundry, you grip the area between the raised ironing plate and ironing roller and simultaneously operate the footswitch
- Do not place any items of laundry over the heated ironing plate. **Risk of fire!**
- Do not place the power cord over the heated ironing plate. **The cable will be damaged and there is a risk of electrocution!**
- Do not fold the appliance up when switched on or hot. Let it cool down first.
- Do not pull on the connection lead. Firmly grip the mains plug itself when disconnecting the appliance.
- Use the fixture on the back of the appliance to fix the power cord.
- Disconnect the appliance from the power supply during maintenance and servicing. To do this, take the mains plug out of the socket completely!
- Only use the appliance in its complete state. Do not use the ironer if protective covers or other safety devices are not in perfect condition!
- Make sure that no combustible materials, e.g. curtains or other combustible objects, are in the immediate vicinity when operating the appliance. Maintain the necessary safety distance!
- Before use, make sure that the fixtures for safe positioning of the appliance are engaged.
- Do not stand on the ironer.

Electrical Safety

Electrical Connection

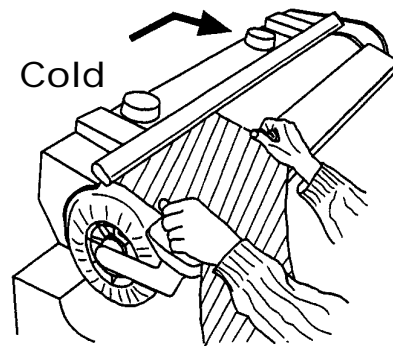
The ironer is equipped with a power cord and plug. It may only be connected, via a plug and socket with earth connection, to 220-240 volt, 50 Hz.

- The connection is approx. 2.6 kW. The required fuse is 16 ampere. The appliance complies with the VDE regulations. Particular attention must be paid to the local electricity company's special regulations.
- The electrical safety of the appliance is only guaranteed if it is connected to a protective conductor system. (with earth connection) It is vital that this basic safety precaution is taken.
- In case of doubt, have the domestic installation checked by an expert! The manufacturer cannot be held responsible for damages caused by a missing or damaged protective conductor.
- Incorrect repairs can result in unpredictable dangers for the user. The manufacturer accepts no liability for these. Repairs may only be carried out by persons authorised by the manufacturer.
- The electrical connection lead and defective components may only be replaced with genuine spare parts from the manufacturer. Only these parts are guaranteed by the manufacturer to fully comply with the safety requirements.
- Do not damage, remove or defeat the appliance's safety devices or operator's controls.
- The ironing roller is protected with a film against dust during transportation. Please remove the dust protection film from the ironing roller.
- The feed board is not fitted to the ironer. It is provided as an accessory with the appliance. Fitting the feed board is described on page 9.

Note: This ironer is a domestic appliance and is not intended for commercial or industrial use.

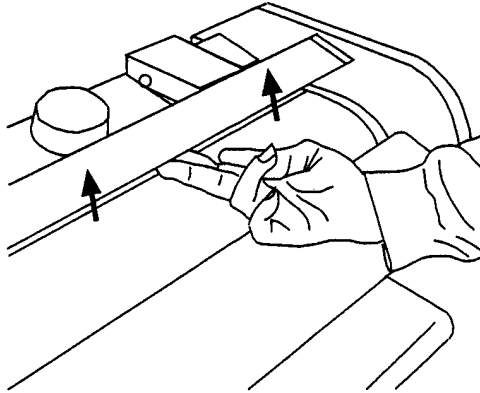
Important Information

When ironing small items of laundry, we recommend using only half of the ironing surface and setting the unneeded thermostat to "Cold". This will save energy and protect the ironing cloth from brown discoloration.



Upon the very first heating of the appliance, smoke may briefly appear. This is quite normal and will quickly disappear.

Safety Functions



Finger Guard

The ironer is equipped with a finger guard. If the finger guard is raised during ironing or pressing, the ironing roller will stop immediately and the heating plate will swing back.

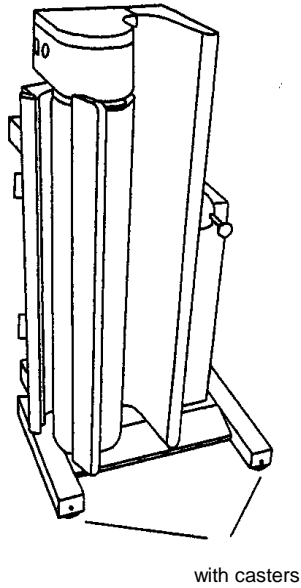
Temperature safety device

The heating element of the ironing machine is controlled by two temperature selectors and a temperature safety device. If the heating element overheats due to a fault, the temperature safety device will interrupt the current, preventing further damage.

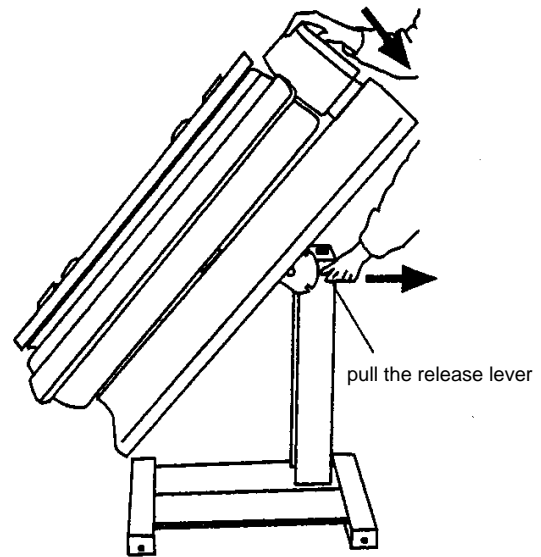
Please contact the relevant service point (see warranty documents) to ensure that the cause of the cut-out is eliminated and the temperature safety device is correctly replaced.

Ironer - Overview

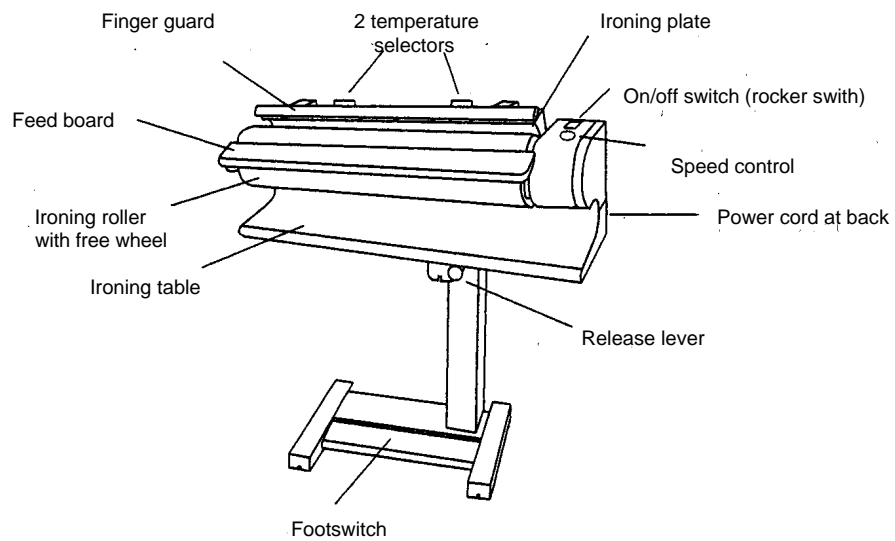
Ironer in transport position
(folded position)



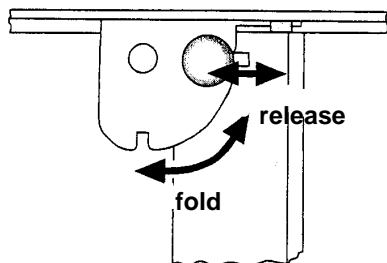
Unfolding the ironer



Ironer in working position



Setting up the ironer



Setting up the ironer

Unfolding and folding up
Unfold the ironing machine from the transport position into the working position.

To do this, pull the release lever out and then press the ironer horizontally, until the release lever engages in the other detent.

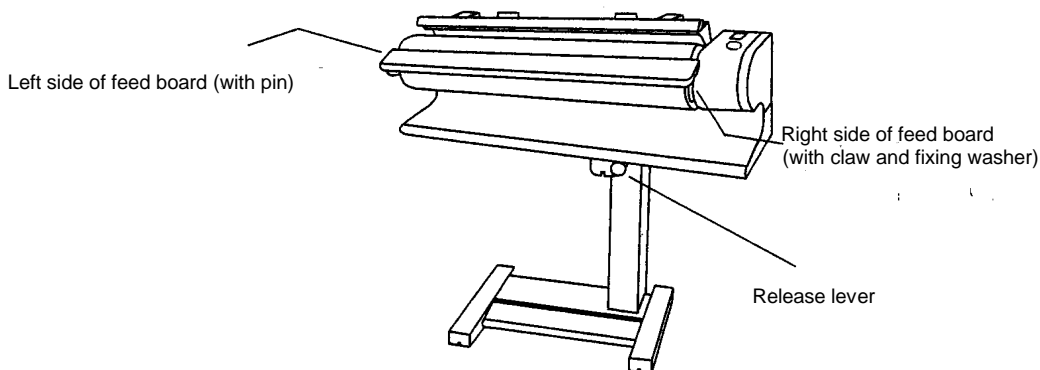
After ironing, fold up the ironer in the reverse order. Let the appliance cool down first!

Feed board

Insert the left side of the feed board into the centre of the ironing roller grid with the pin. Hook the right side of the feed board (claw) into the bolt from below and let the movable fixing washer enclose the bottom of the bolt.

If you wish to iron without the feed board, remove it in the reverse order.

Experiment to see whether you prefer to iron with or without the feed board!



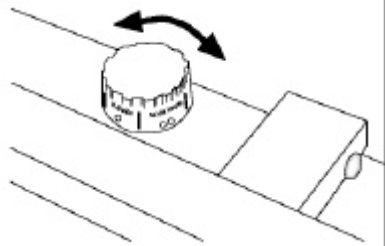
Operator's controls



with red
pilot light

On/off switch (rocker switch)

The appliance is switched on/off with the on/off switch. The red rocker switch illuminates when the appliance is switched on.



Temperature selectors

The temperature selectors, which are steplessly adjustable, are located on the right and left on the ironing plate. As there are two controllers, it is possible to heat only half of the ironing plate.

The temperature ranges for the individual fabric types are shown on the selector buttons with care symbols.

The heating elements are switched off when both temperature selectors are turned anticlockwise as far as the stop.

Footswitch

The ironing process is controlled with the footswitch. 3 functions are possible:

1. Idle position

The footswitch is **not** pressed down, the ironing plate is swung away and the ironing roller is stationary. In this position, the laundry is placed ready and straightened for ironing on the ironing roller.

2. Pressing position

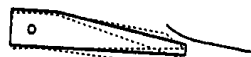
The footswitch is **halfway** pressed down. The ironing plate is swung in and the ironing roller is stationary. The laundry is pressed and heated. As soon as you remove your foot, the ironing plate swings back.

3. Ironing position

The footswitch is **completely** pressed down. The ironing plate swings in and the ironing roller turns. As soon as you remove your foot, the ironing plate swings back and the ironing roller stops.



Idle position



Pressing position



Ironing position

Free movement of the ironing roller

To facilitate handling, the ironing roller has a completely forwards free movement.

Speed control

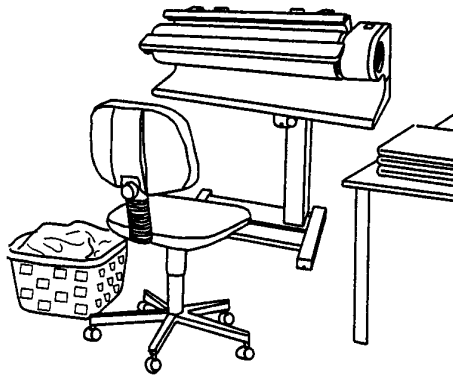
The ironing roller speed control can be adjusted as desired with the control knob, which is located next to the on/off switch. There are 5 different speeds.

Before ironing

Preparing the laundry

The laundry is best prepared for ironing as described below. This preparation will help you to iron quickly, at the correct ironing temperature, expending the least time and energy.

- Dampen the laundry shortly before ironing. You will gradually learn how damp the laundry needs to be, so that only one ironing cycle is necessary, and you do not have to pass each item through several times. If you dry the laundry in the tumble-drier so that it is still slightly damp for ironing, you will not need to dampen it again.
- If you do not have much time to prepare the ironing, sprinkle the laundry with warm water if possible - the fabric will absorb it more quickly.
- Stretch the items of laundry if necessary and smooth all seams and edges.
- Stack the items ready for ironing. Fold large items such as bed linen and curtains lengthwise and stack concertina-like.
- Stack the items of laundry according to the ironing temperature; when selecting the ironing temperature, follow the care labels sewn into the fabrics. Always start with the fabrics that are ironed at the lowest temperature and then work through to the fabrics with the highest ironing temperature. Also lay the laundry out in this order. Iron starched laundry last, so that starch residues that may cling to the ironing plate are not transferred to other items.



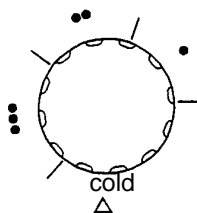
Workplace

Arrange your workplace as carefully as possible, since the more practical and comfortable it is, the more quickly you will complete your work.

- Place the ironing machine in a stable position.
- Place a sturdy chair in front of the ironing machine, which you can adjust in height if necessary.
- In a sitting position, take the prepared laundry from the stack or laundry basket on your left-hand side.
- Stack the finished items or hang them on a clothes airer or stand on your right hand side.
- You may need to re-dampen one or two items. Keep a laundry sprinkler or water container to hand.

Ironing temperatures – Ironing tips

Temperature selectors



The two temperature selectors are used to adjust the ironing temperature to the laundry to be ironed. The individual temperature levels are marked on the selectors by dot symbols, which correspond to the international “ironing” care labels.

The dots have the following meanings:

Laundry type	➔ Symbol	➔ Temperature
Nylon / Rayon	?	low
Silk / Wool	??	medium
Cotton / Linen	???	high

Note:

In the case of mixed fabrics, the ironing temperature is determined by the more delicate fibre. For example, laundry items consisting of polyacrylic and cotton are ironed on the ?? silk/wool setting, not the cotton setting!

The ironing temperature is correctly set when the dot symbol lines up with the “?” marking on the ironing plate cover.

Always start ironing at a lower temperature setting and iron the more delicate fabrics first. Wait for at least 5 minutes after switching on the heating element, to allow adjustment to the selected temperature. The same also applies if you subsequently select a higher ironing temperature.

When ironing small items, you should only switch on one temperature selector. This saves energy and prevents discolouration of the ironing cloth.

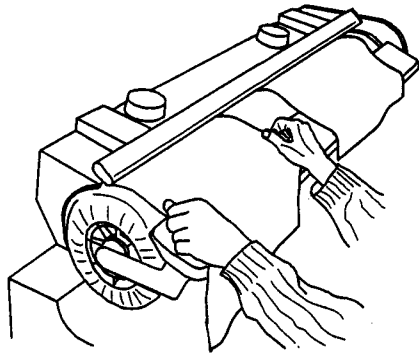
Always ensure that the fabrics are well dampened.

If necessary, place a damp cloth between the plate and the item to be ironed, in order to protect delicate fabrics.

In the case of fabrics with embroidery and items with buttons, we recommend positioning these towards the roller, so that the embroidery and buttons are pressed into the roller covering. This will make the embroidery very malleable and prominent after ironing, and prevent hard buttons from scraping the smooth ironing plate.

Reset both temperature selectors to the Cold position after ironing.

Ironing



Teatowels, handkerchiefs

Place these and other small, smooth items on the roller, then turn the roller by hand (free-wheel), until the edge is located beneath the ironing plate. Then depress the footswitch completely and iron.

If possible, position several items next to one another.

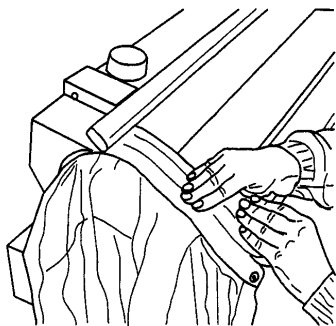
If you wish to iron small items individually, turn the other temperature selector to Cold. This will save energy and prevent discolouration of the ironing cloth.

Folded items

Position and feed in the folded end first of all, so that you can guide the open ends by hand. Feed in embroidered items with the reverse side uppermost; the embroidery on the right side will be pressed into the soft roller covering and will be more prominent at the end.

Wide sheets and tablecloths

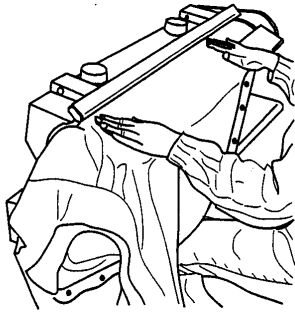
Iron one half first of all, letting the unironed fabric side hang out on the open roller side. Then feed in and iron the other half. Now iron the fabric folded up lengthways. The selvages should be positioned on top of one another and the fold should hang out at the free roller end.



Shirts

When ironing shirts, feed in the sleeves obliquely from the yoke and iron down as far as the start of the cuff. Then turn the sleeves and iron from the start of the cuff up to the yoke and start of the sleeve. Iron the reverse side of the cuff up to the start of the sleeve, then the upper side. If the armhole is not large enough, the cuff must be ironed lengthwise from right to left on the free roller end.

Ironing



Carefully align the back at the side seams (middle of back = fold).

1. Iron the back from the hem - with a slight indentation at the sleeve - on the free roller side towards the yoke, allowing the front pieces to hang out over the roller end.
2. Iron the back from the yoke, feeding it in obliquely, as far as the hem. Then iron the yoke - folded along the back seam - on the free roller side from right sleeve to left sleeve.
3. Iron the front pieces and buttonhole facing from the wrong side - horizontally positioned. Then iron the front of the buttonholes, starting at the hem, as far as the start of the collar at the roller end, with the back and sleeves hanging over the roller end.

Iron the front of the buttons as for the front of the buttonholes, but from the wrong side, so that the buttons can press into the roller covering and do not scrape the surface of the ironing plate. Iron the collar lengthways (first the under side, then the top side). Turn just before the collar tip and then iron from the collar tip as far as the collar band.

House dresses, housecoats, pyjama jackets etc.

Follow the recommended procedure for shirts.

Dresses

Start with the sleeves, from the shoulder seam down to the waistband. Then pull the dress skirt over the roller and iron it section by section.

Pyjama trousers

The trouser legs are ironed starting at the bottom - ensuring that the fabric panels match at the seam. Tension the elastic in the waistband. For webbing, iron the pleats as well.

Night gowns and closed shirts

Follow the procedure for open shirts, but start the front section at the left side seam - sleeve and chest section hang out on the free roller side - and iron across, position the central fold and iron across to the right side. Then iron both chest sections and the collar.

Pressing trousers and pleated skirts

You can also press items with the ironer. To do this, only press the footswitch half way down. Pressing is recommended for trousers and pleated skirts.

Place the item correctly pleated on the ironing roller, cover with a damp cloth and turn by hand beneath the heating plate. Then press the item.

Care of your ironing machine

Cleaning the ironing plate


Note: During cleaning, take the mains plug out of the socket completely and allow the machine to cool down first!

Starch and finishing can leave a coating on the ironing plate. The plate should therefore be cleaned after prolonged use of the ironer.

To clean the ironing plate, rub the surface with a damp cloth and a mild cleaner. Never use sandpaper, abrasive sand, caustic cleaners or hard, sharp objects - these will damage the ironing plate.

Wipe the ironing plate clean very thoroughly afterwards, so that no residues of the cleaner are transferred to the laundry during your next ironing session.

You can wipe all painted surfaces with a damp cloth.


Procedure in the event of faults / Customer service

If your appliance gives you any cause for concern or if a fault occurs, please contact your specialist dealer or one of the customer service points listed in the attached warranty documents.

Free Manuals Download Website

<http://myh66.com>

<http://usermanuals.us>

<http://www.somanuals.com>

<http://www.4manuals.cc>

<http://www.manual-lib.com>

<http://www.404manual.com>

<http://www.luxmanual.com>

<http://aubethermostatmanual.com>

Golf course search by state

<http://golfingnear.com>

Email search by domain

<http://emailbydomain.com>

Auto manuals search

<http://auto.somanuals.com>

TV manuals search

<http://tv.somanuals.com>