



CITIZEN SYSTEMS EUROPE

CT-S801 – Product launch

The all new printer for the POS

CT-S801 – Key facts

- Modern & functional design
- User friendly
- Service friendly
- High performance
- Very reliable



CT-S801 – Modern & functional design

- Compact
- Same footprint as EPSON TM-T88IV
- 83mm diameter roll
- Internal AC adapter (International 100 – 240 V)
- Paper cover damper for smooth/quiet opening/closing
- Metal Tear Bar standard
- Version without power supply available (DC version)
 - POS Terminals with built in supply
 - Powered USB applications
 - Lower height form factor applications



CT-S801 - User friendly

- Industry's first printer with LCD display
- Easy configuration
- Understandable error messages
- Industry's first paper cover damper prevents injuries



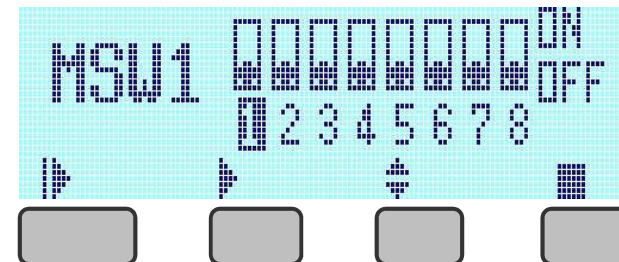
CT-S801 – LCD display at a glance

- 128x32 dots graphic LCD with backlight
- Displays status + error messages
- Configuration mode (lockable)
- 2 lines of 16 character messages
- Soft-Key functions (4-button control panel)
- Backlight changes to red when an error occurs highlighting LCD message
- Paper low and key lock icons
- Multi-Lingual support
(English, German, Italian, French, Spanish, Japanese, Chinese)

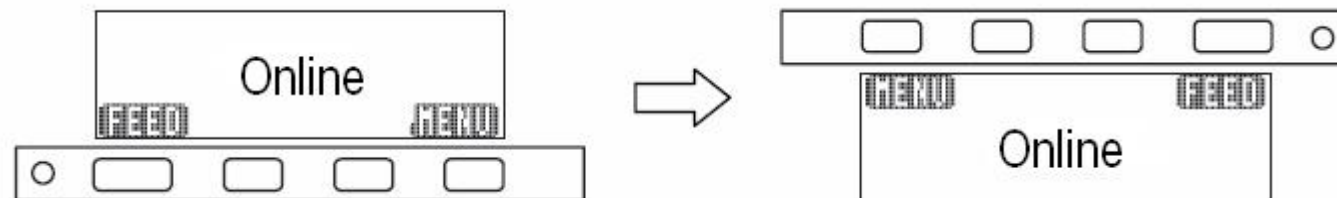


CT-S801 – LCD display at a glance

- Pre-configured settings for plug & play compatibility:
CBM1000II, CT-S300/310,
EPSON TM-T88IV, EPSON TM-L90 (203dpi)
- Self-tests and functional tests
- Virtual DIP switches via GUI interface



- Rotated messages depending of the installation (horizontal or vertical)



CT-S801 – Service friendly

- Industry's only manufacturer of self retracting cutters
- Change of cutter in less than 30 seconds
- Change of thermal head in less than 90 seconds
- Easy accessible main board
- Integrated, detachable power supply



CT-S801 – The cutter at a glance

- Guillotine Type
- Industry's first Snap-in cutter
- Full or partial cut (programmable/command)
- Ultra quiet new design
- Cuts Twice as fast as existing models (0.5 s/cut)
- Self retracting cutter -> open paper cover and follow LCD directions
- 2 Million cuts
- No tools needed to replace
- Cutter replacement in < 30 seconds (TM88 approx. 270 sec.)

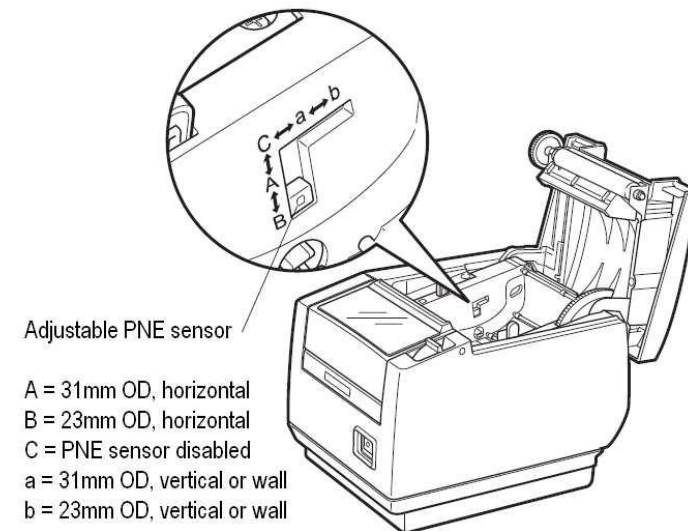
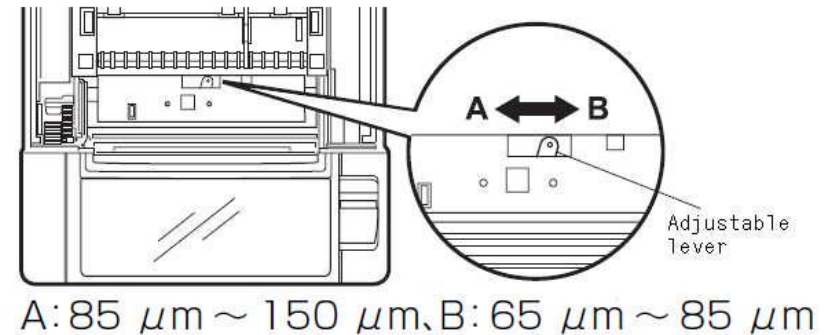
CT-S801 – High performance

- Print speed: 300mm/sec (11.8 IPS)
 - fastest in its class
 - newly developed gate array
 - 32 bit RISC CPU
 - 8MB SDRAM
- Resolution: 203 DPI (8 dots/mm)
 - high quality printing
 - smooth graphics
 - more characters/line



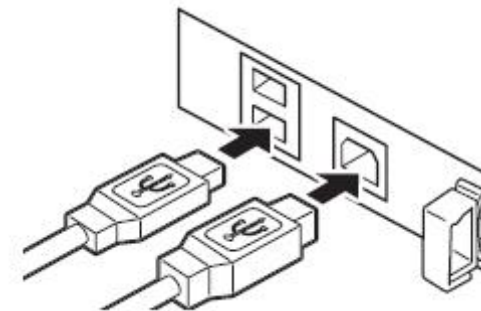
CT-S801 – More features

- Head Pressure Adjustment Lever
Paper thickness from 65 – 150 μm
- Integrated Buzzer
- Standard & 2D Barcodes
- Paper “near-end” detection
 - Updated mechanical sensor
 - Improved accuracy
 - Reduces paper waste



CT-S801 – Interfaces

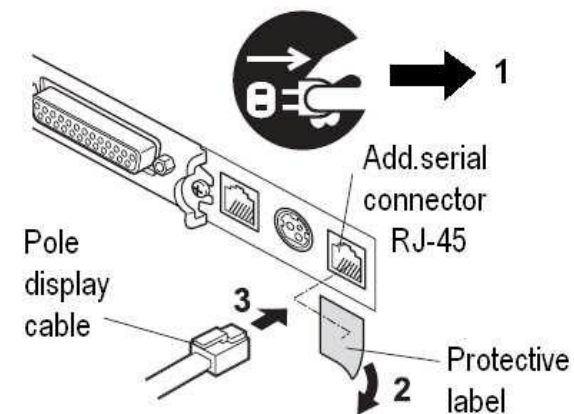
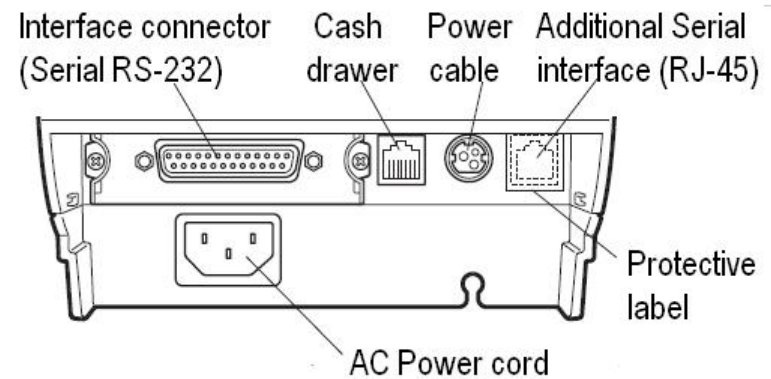
- Newly developed & updated
- Easy to install
- Wider variation incl.
 - Serial (RS-232C)
 - Parallel (IEEE1284)
 - Full speed USB
 - USB Hub*
 - Powered USB* (24V, 2.3A)
 - Ethernet* (10Base-T/100Base-T)
 - WLAN*



* Available later

CT-S801 – Additional serial interface

- For external serial devices
- Supports Industry standard customer pole displays

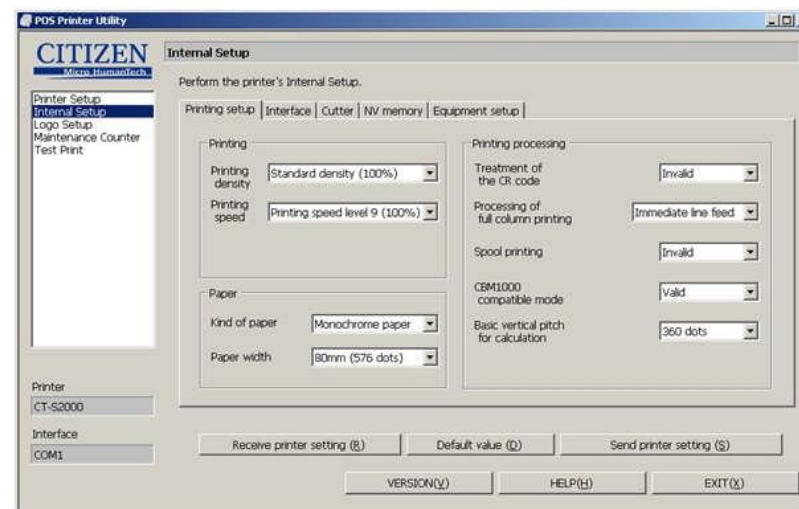


CT-S801 – Enclosed Accessories

- CD-ROM
- Sample paper roll
- AC Power cord
- Cable cover
- Power switch cover
- Partition (for other paper widths)
- Quick start guide

CT-S801 – Software

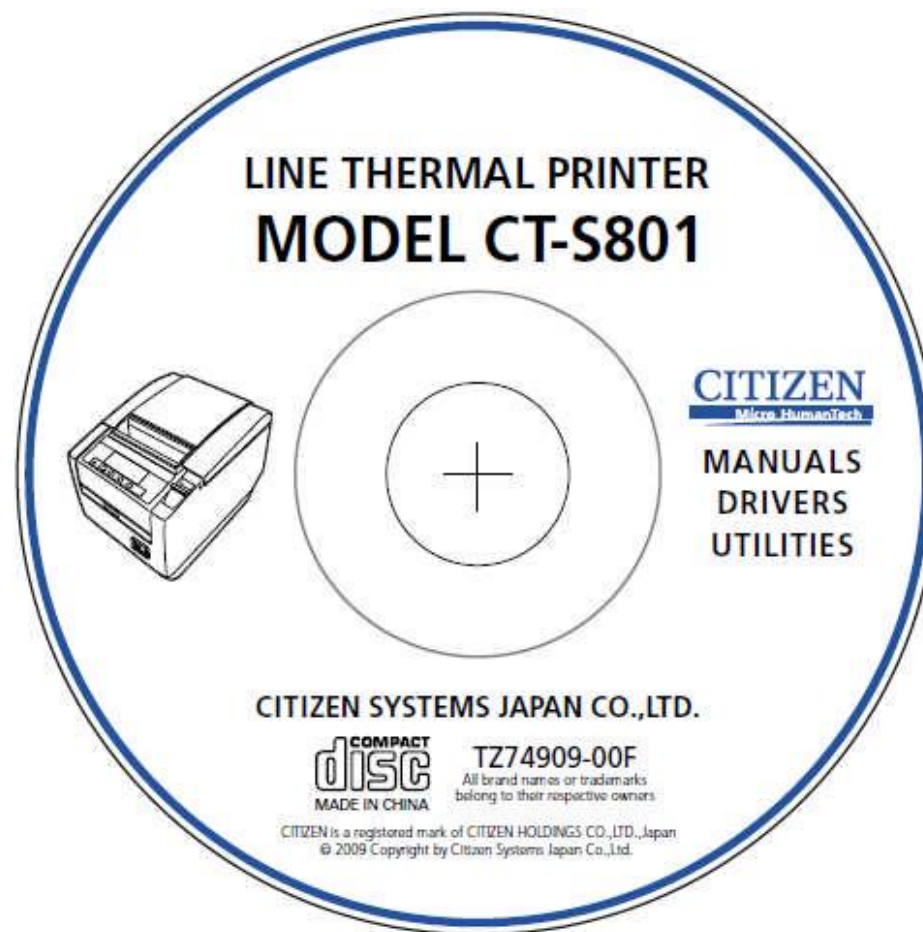
- New printer driver
- New customization tool
- New receipt design tool (SDK for developers)



CT-S801 – CD-ROM

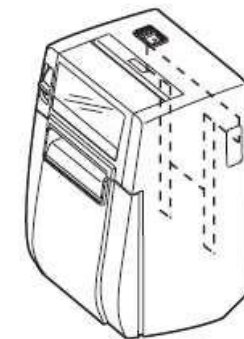
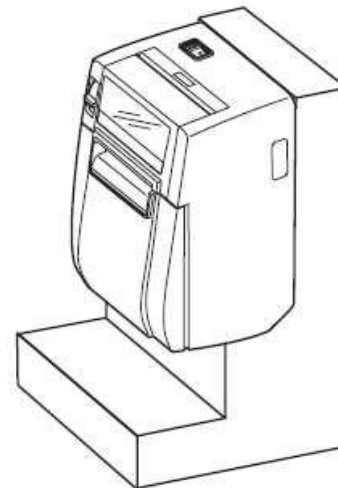
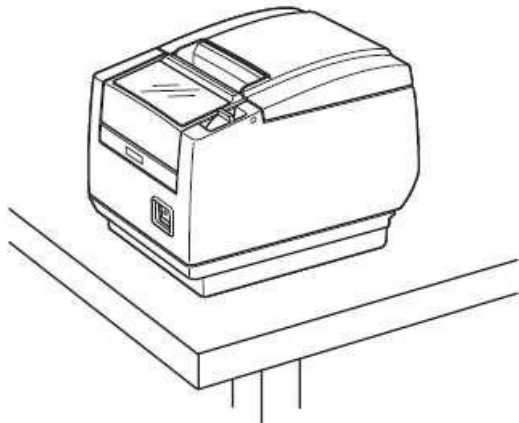
Contains:

- User Manual
- Printer Drivers
- Utilities



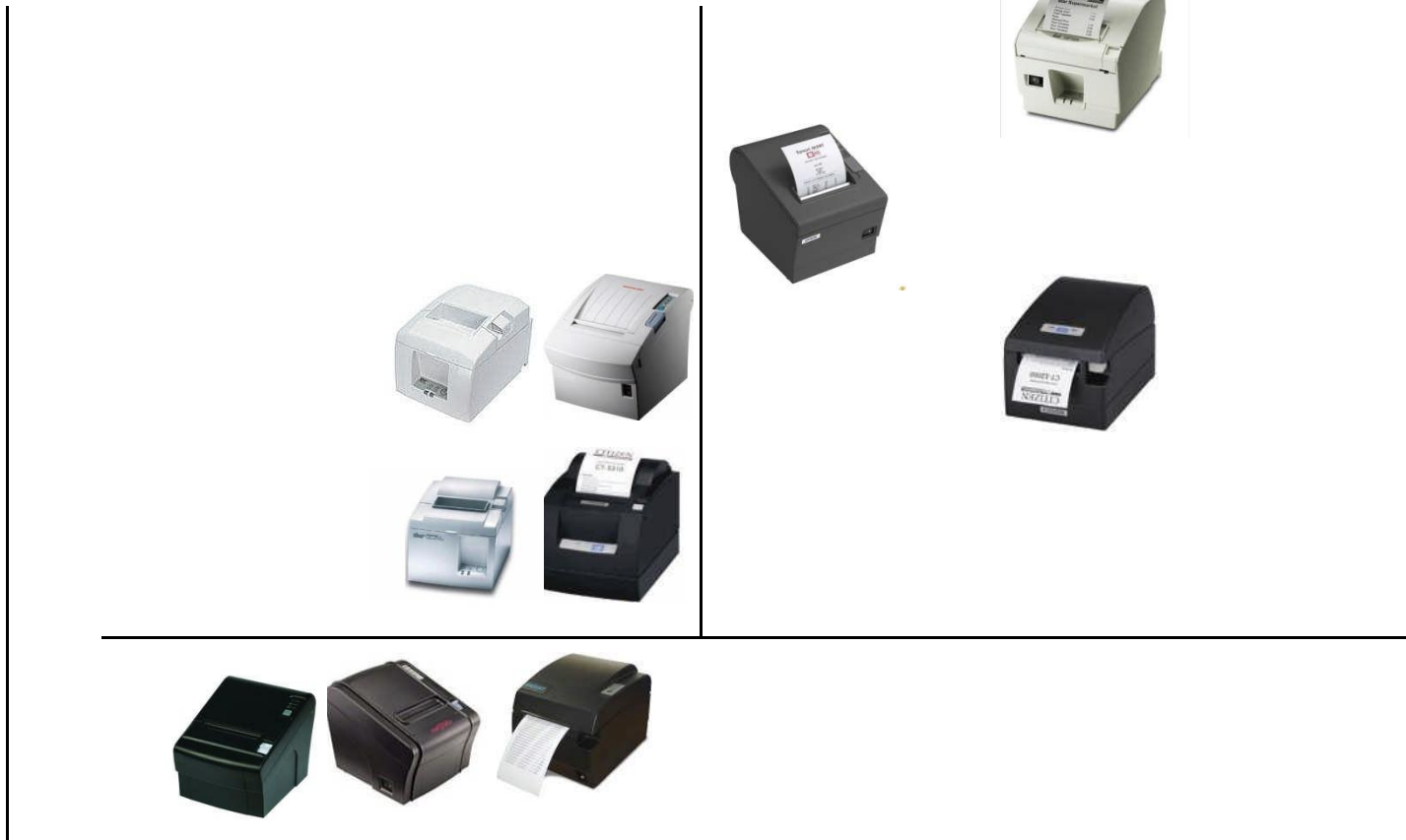
CT-S801 – Options

- Splash proof cover
- Stand for vertical mounting
- Wall mount kit



CT-S801 market position

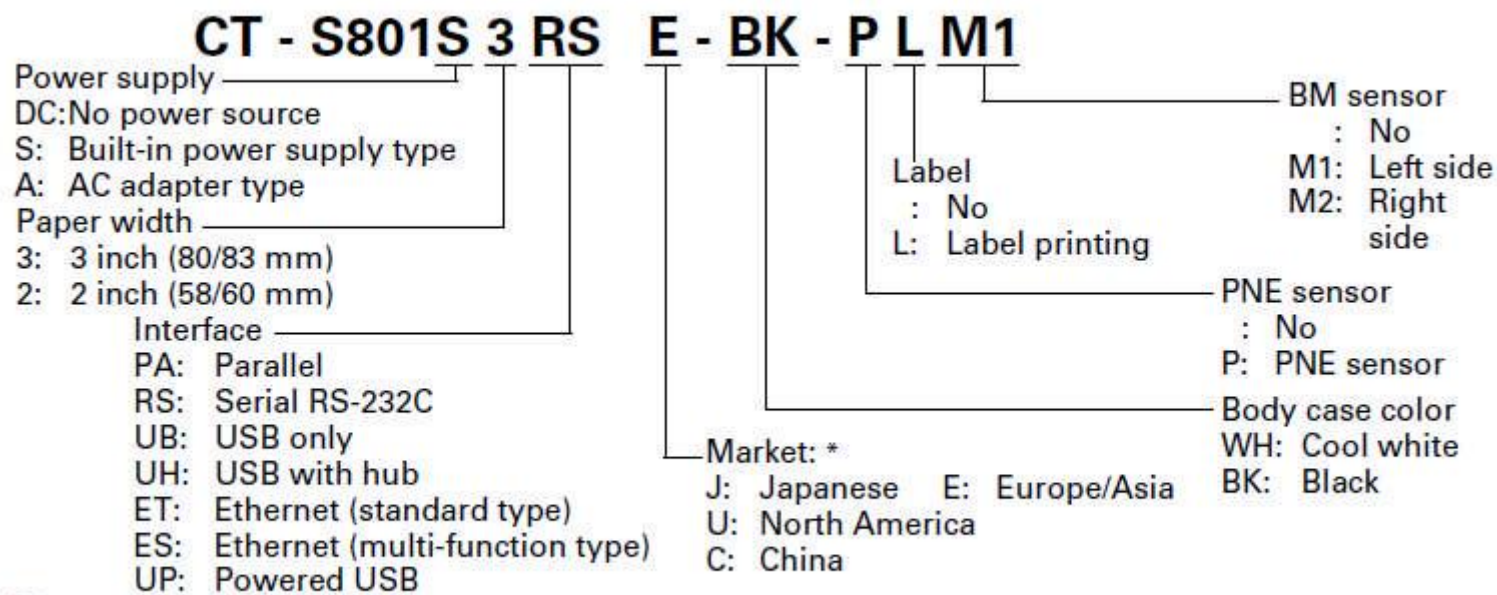
P
R
I
C
E



PERFORMANCE

CT-S801 – Model classification

Model numbers indicate printer features according to the following system.



Note:

*: AC power cord, serial I/F screw, firmware and other specifications vary according to markets.

CT-S801 – Order codes

Type	Order code	Description
Printer	CT-S801 S NN E BK P	Internal power supply, no interface, European model, black, PNE
Printer	CT-S801 S NN E WH P	Internal power supply, no interface, European model, white, PNE
Printer	CT-S801 DC NN E BK P	Without power supply, no interface, European model, black, PNE
Printer	CT-S801 DC NN E WH P	Without power supply, no interface, European model, white, PNE
Interface	TZ66801-0M	IF1-RS01 serial interface
Interface	TZ66802-0M	IF1-PA01 parallel interface
Interface	TZ66803-0M	IF1-UB01 USB interface
Interface	TZ66804-0M	IF1-PU01 Powered USB interface
Interface	TZ66809-0M	IF1-HU01 USB Hub interface
Interface	N/A	IF1-ES01 Ethernet
Interface	N/A	IF1-ET01 Ethernet
Wall mount kit	WALLMOUNTKIT	Wall mount kit
Splash proof cover	N/A	Splash proof cover
Vertical stand	N/A	Vertical stand black
Vertical stand	N/A	Vertical stand white

N/A - not available yet

Free Manuals Download Website

<http://myh66.com>

<http://usermanuals.us>

<http://www.somanuals.com>

<http://www.4manuals.cc>

<http://www.manual-lib.com>

<http://www.404manual.com>

<http://www.luxmanual.com>

<http://aubethermostatmanual.com>

Golf course search by state

<http://golfingnear.com>

Email search by domain

<http://emailbydomain.com>

Auto manuals search

<http://auto.somanuals.com>

TV manuals search

<http://tv.somanuals.com>