



POLAR™ TRAILER

ONE TOUGH TRAILER

SPECIFICATIONS HD 800

Item Number:	8231
Load Capacity:	800 lbs.
Load Size:	9 Cubic Feet
Overall Dimensions:	70" x 33" x 24"
Overall Weight:	60 lbs.
Body Dimensions:	52" x 26" x 15
Tire Size:	16 x 6.50



NOTICE: Once used, this trailer cannot be returned to the store. If you have a warranty claim, please contact Polar Sport directly.

Warranty Information

Polar Sport, LLC. (a division of CLAM Corporation, Inc.) warrants to the original retail purchaser its product be free from manufacturers defects for one (1) year from the date of the original purchase. Polar Sport will replace or repair any part found defective within the one (1) year time limit. All parts must be returned to Polar Sport. Before returning any parts, you must first call or write and acquire a return authorization number. All returns must be returned postage-prepaid and include the original cash register receipt (date and purchase price).

To obtain a return authorization, please use one of the following methods:

- Call: **763-231-4120**
- Write: **Clam Corporation, Inc.**
Attn: Customer Service – Returns
600 Cyldesdale Trail
Medina, MN 55340
- Email: **CustomerService@ClamCorp.com**

The warranty does not apply to any Polar Trailer which has been subjected to an accident, improper installation, modification, adjustment, repair, misuse, misapplication, neglect, including but not limited to improper maintenance, or use of unauthorized parts or attachments.

Limitation of Liability

It is expressly understood that Polar Sport liability for its products, whether due to breach of warranty, negligence, strict liability, or otherwise, is limited to the repair of the product as stated above. Polar Sport is not liable for any injury, loss, damage, or expense, whether direct or consequential, including but not limited to loss of use, income, profit, or damage to material arising in connection with the sale, installation, use of, inability to use, or the repair or replacement of Polar Sport products. Polar Sport reserves the right to make alterations or modifications in its products at any time, which in its opinion, may improve the performance and efficiency of the product. It shall not be obligated to make such alterations or modifications to products already in service.

WARNING: THIS ATTACHMENT IS INTENDED FOR USE IN LAWN CARE AND HOME APPLICATIONS. DO NOT TOW BEHIND A VEHICLE ON A HIGHWAY OR IN ANY HIGH SPEED APPLICATION.

Towing Loads Safely

- Stopping distance increases with speed and weight of towed load. Travel slowly and allow extra time and distance to stop.
- Total towed weight must not exceed limits specified in towing vehicle operator's manual.
- Excessive towed load can cause loss of traction and loss of control on slopes. Reduce towed weight when operating on slopes.
- Never allow children or others in or on towed equipment.
- Use only approved hitches. Tow only with a machine that has a hitch designed for towing. Do not attach towed equipment except at the approved hitch point.
- Follow the manufacturer's recommendations for weight limits for towed equipment and towing on slopes.
- Do not turn sharply. Use additional caution when turning or operating under adverse surface conditions. Use care when reversing.
- Do not shift to neutral and coast downhill.

WARNING: THIS ATTACHMENT IS INTENDED FOR USE IN LAWN CARE AND HOME APPLICATIONS. DO NOT TOW BEHIND A VEHICLE ON A HIGHWAY OR IN ANY HIGH SPEED APPLICATION.

Protect Bystanders

- Keep bystanders away when you operate a towed attachment.
- Before you back machine and attachment, look carefully behind attachment for bystanders.

Keep Riders off Towed Attachment

- Keep riders off of a towed attachment.
- Riders on a towed attachment are subject to injury, such as being struck by objects and being thrown off the attachment during sudden starts, stops and turns.
- Riders obstruct the operator's view, resulting in the attachment being used in an unsafe manner.
- Keep riders off of the hitch bracket or trailer tongue.

Disconnecting Towed Attachment

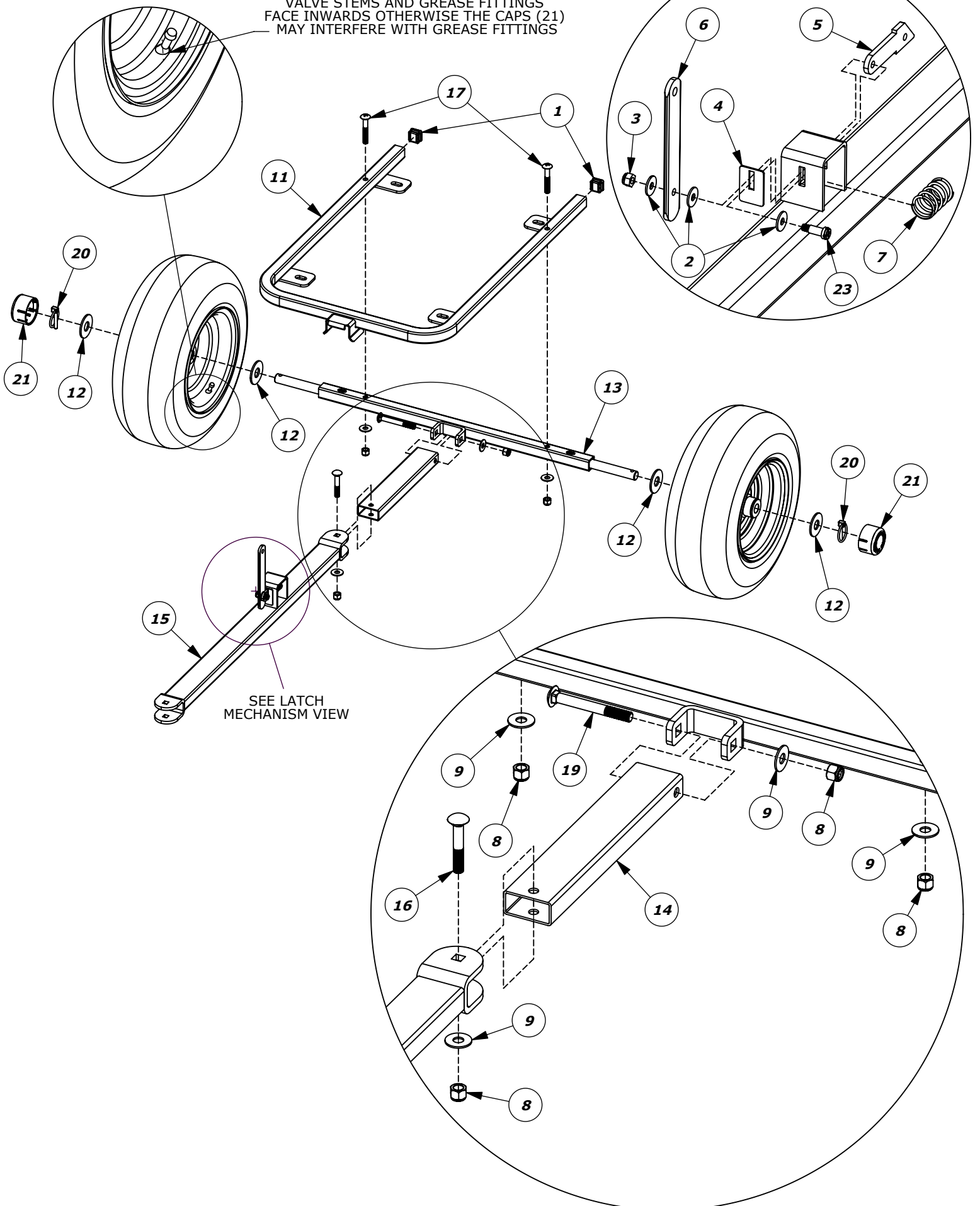
- Unload trailer.
- Stop attachment on level ground.
- Stop machine engine.
- Lock machine park brake.
- Block attachment wheels.

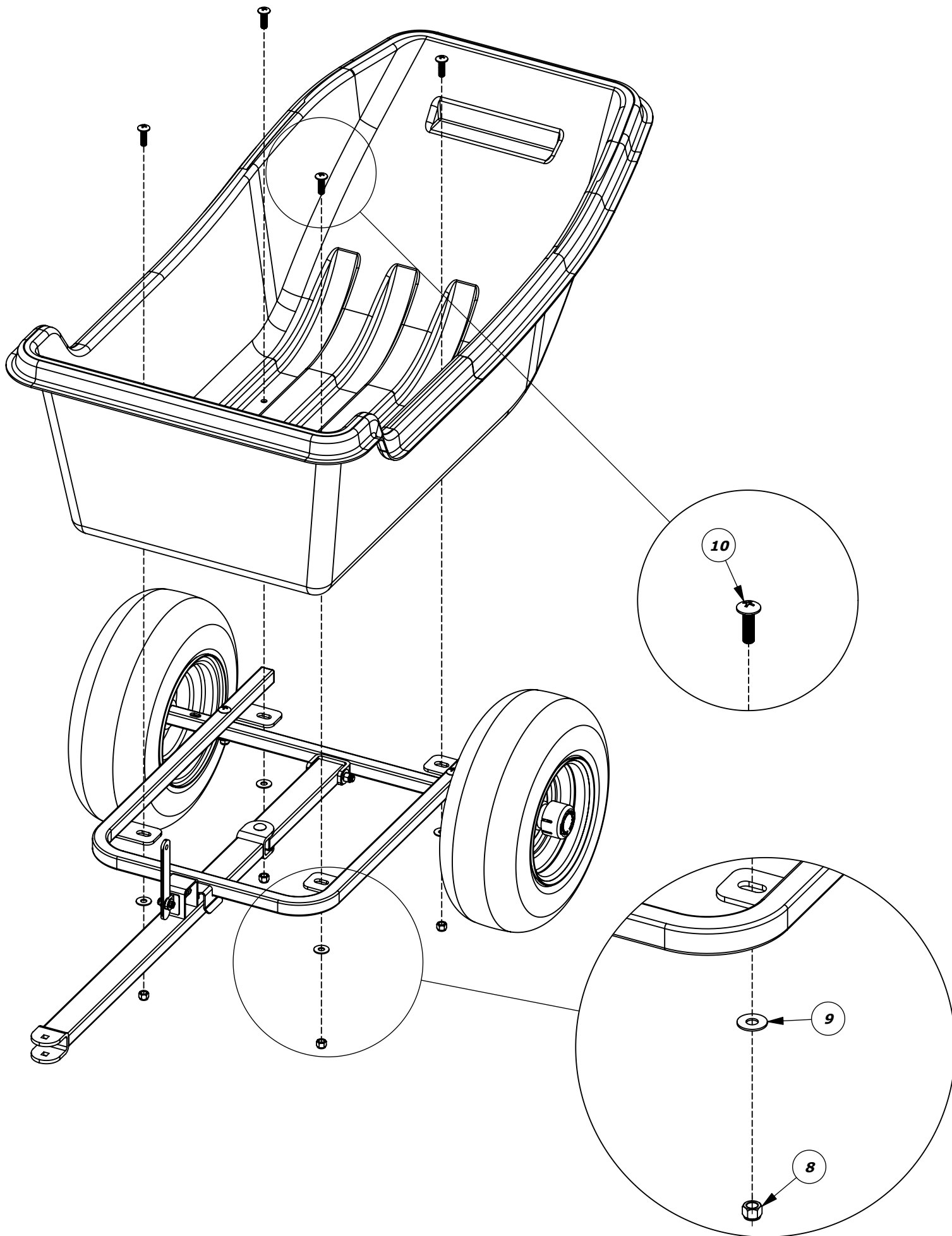
Replacement Parts

ITEM	QTY	P/N	DESCRIPTION	ITEM	QTY	P/N	DESCRIPTION
1	2	101016	PLUG, 1" SQ X 14 GA BLACK	13	1	101768	WLDT, SML AXLE
2	3	101081	WASHER, 1/4 FLAT REG CZ	14	1	101771	TUBE, 1 X 2 PIVOT
3	1	101163	NUT, 1/4-20 NYLOCK CZ	15	1	101773	WLDT, SML HITCH TUBE
4	1	101734	PLATE, WEAR	16	1	101777	BOLT, 3/8-16 X 2.25 CH GR2 CZ
5	1	101735	LATCH, TRAILER	17	2	101779	BOLT, 3/8-16 X 2.50 TH GR2 CZ
6	1	101737	HANDLE, LATCH	18	2	101783	ASSY, 16X6.50-8 WHEEL
7	1	101738	SPRING, LATCH	19	1	101802	BOLT, 3/8-16 X 3.25 CH GR2 CZ
8	8	101740	NUT, 3/8-16 NYLOCK CZ	20	2	101823	PIN, 1/4" LYNCH
9	8	101741	WASHER, 3/8" FLAT REG CZ	21	2	101825	CAP, DUST
10	4	101749	BOLT, 3/8-16 X 1.25 TH GR2 CZ	22	1	101831	BASE, SML XTRM TRL
11	1	101759	WLDT, SML U-FRAME	23	1	101955	BOLT, 5/16" SHOULDER
12	4	101766	WASHER, 3/4" FLAT SAE CZ				

MOUNT THE WHEELS SO THAT THE VALVE STEMS AND GREASE FITTINGS FACE INWARDS OTHERWISE THE CAPS (21) MAY INTERFERE WITH GREASE FITTINGS

LATCH MECHANISM





Free Manuals Download Website

<http://myh66.com>

<http://usermanuals.us>

<http://www.somanuals.com>

<http://www.4manuals.cc>

<http://www.manual-lib.com>

<http://www.404manual.com>

<http://www.luxmanual.com>

<http://aubethermostatmanual.com>

Golf course search by state

<http://golfingnear.com>

Email search by domain

<http://emailbydomain.com>

Auto manuals search

<http://auto.somanuals.com>

TV manuals search

<http://tv.somanuals.com>