

Clarion

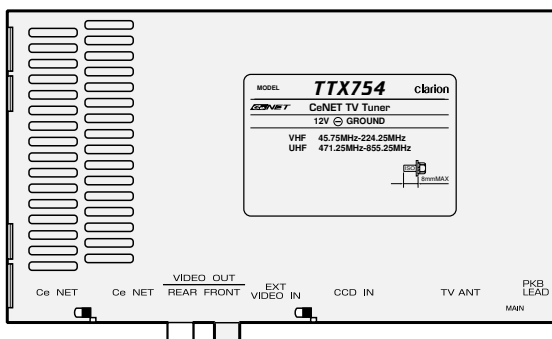
Owner's manual & Installation manual
使用说明书和安装说明书

TTX754

CeNET TV TUNER (PAL)

CeNET电视调谐器 (PAL制式)

CeNET



English

Thank you for purchasing this **Clarion** product.

- Please read this Owner's manual & Installation manual in its entirety before proceeding with wire connection and installation.
- After reading this manual, be sure to keep it in a handy place (e.g., glove compartment).
If you sell the motor vehicle, please leave the manual in it so that the new owner can use it.
- Read the contents of the enclosed warranty card and keep it with this manual.

■ Contents

1. PRECAUTIONS	3
2. PACKAGE CONTENTS	3
3. SET COUNTRIES LIST	4
4. SPECIFICATIONS	5
5. TROUBLESHOOTING	6
6. INSTALLATION	7
7. CAUTIONS ON WIRING	7
8. WIRING CONNECTIONS	8

中文

感谢购买本 Clarion 公司产品。

- 在进行接线和安装之前，务必通读本使用说明书和安装说明书。
- 读完本使用说明书后，请保管在手头便于取阅的地方（例如：手套箱）。
如果您出售汽车，请将使用说明书留放在汽车内，以便新的车主能够使用它。
- 请阅读另附保用卡的内容并与本使用说明书一起妥善保管。

■ 目录

1. 注意事项	9
2. 包装内容	9
3. 设定国家一览表	10
4. 规格	11
5. 故障检修	12
6. 安装	13
7. 接线注意事项	13
8. 接线	14

1. PRECAUTIONS

- This equipment uses DC 12 V only. Do not use this equipment on 24 V vehicles such as large trucks.
 - When driving, keep the TV tuner volume down to a level where you can hear sounds from outside the vehicle.
 - If a problem occurs such as entry of a foreign object, water gets into the tuner, or it produces smoke or strange smells, stop using the tuner immediately, and consult your dealer.
- **Tuner Handling**
- Disconnecting the cables while the system is operating may cause a system breakdown. Always turn off the power (ACC-OFF) before you disconnect the cables.
 - If the power supply to the system is stopped due to battery replacement, etc., the details you have entered into the microcomputer memory may be erased and the settings may return to the default settings. If this occurs, enter your settings again.
- **Reception**
- If your vehicle is outside the broadcast transmission range, the radio waves will become weak and reception will deteriorate. UHF stations and regional broadcast stations output a comparatively weak radio transmission, so the reception conditions may get worse while driving over a distance of only a few kilometers.
 - The screen image may be disturbed and output noise due to train lines, high voltage power lines and traffic signal lights.
 - This equipment does not have a display function, so the screen will be black during driving.

INFORMATION FOR USERS:

CHANGES OR MODIFICATIONS TO THIS PRODUCT NOT APPROVED BY THE MANUFACTURER WILL VOID THE WARRANTY.

2. PACKAGE CONTENTS

1. TV tuner unit (TTX754)	
2. User's Manual / Installation Manual	1
3. CeNET cable (2.5 m)	1
4. RCA video cable (2.5 m)	1
5. Accessories Bag	1
6. PKB connection cable	1

3. SET COUNTRIES LIST

The TV area function can be used to set the following country areas.

No.	Set Countries Display Title
0	ALBANIA
1	AUSTRIA
2	BELGIUM
3	BOSNIA I H
4	CZECH
5	DENMARK
6	FINLAND
7	GERMANY
8	HUNGARY
9	ICELAND
10	IRELAND
11	ITALY
12	NETHERLND
13	NORWAY
14	PORTUGAL
15	RUMANIA
16	SLOVAKIA
17	SLOVENIA
18	SPAIN
19	SWEDEN
20	SWITZERLND
21	TURKEY
22	UK
23	AFGHAN.
24	ALGERIA
25	ANGOLA
26	AUSTRALIA
27	BAHRAIN

No.	Set Countries Display Title
28	CHINA
29	N.KOREA
30	GHANA
31	HONGKONG
32	INDIA
33	INDONESIA
34	ISRAEL
35	JORDAN
36	KENYA
37	KUWAIT
38	LIBERIA
39	MALAYSIA
40	MOLDIVES
41	N.ZEALAND
42	NIGERIA
43	OMAN
44	PAKISTAN
45	QATAR
46	SINGAPORE
47	S.AFRICA
48	SRILANKA
49	SUDAN
50	THAILAND
51	U.ARABE.
52	UGANDA
53	YEMEN
54	ZAMBIA

Note:

- In Australia, the channel display for channel 9A may not appear properly, depending on the kind of main unit with which this component is combined.

4. SPECIFICATIONS

Reception channels: VHF CCIR 2 to 12ch
UHF CCIR 21 to 69ch

Antenna input: 75 Ω unbalanced

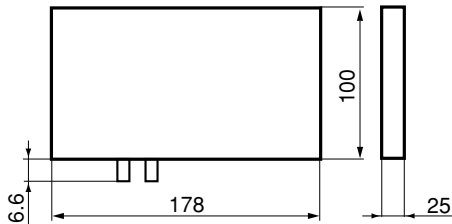
voltage: 14.4 V

Grounding: Negative terminal grounding

Power consumption: 0.4 A or less

External dimensions: 178 mm (Width) \times 25 mm (Height) \times 100 mm (Depth)

Weight: 0.5 kg



* The specifications and design may be subject to change without prior notice due to improvements.

5. TROUBLESHOOTING

The following symptoms may not be the result of a breakdown, so perform the remedy suggested below before contacting your Dealer for repairs.

Symptom	Cause	Remedy
No power	Wiring is incomplete.	Check the wiring method in the manual again, then connect the wiring properly.
No image	Parking brake is not engaged.	Check that the parking brake is engaged completely.
Unclear image from rear seat monitor	Image output for front and rear is connected in reverse.	Check the connection method in the manual again, then connect the wiring properly.
Image is unclear	Poor reception	The transmission may not be reaching you properly because you are in a valley or the shadow of a building. Check again at a location where the transmission can reach you properly.
Double or triple image	Poor reception	The image may be affected by transmission reflected from mountains or buildings. Change your location or the reception direction.
Image is spotty or striped	Electrical interference	Reception may be affected by radio interference from another vehicle, a train, high voltage or neon signs. Check your reception again at another location.

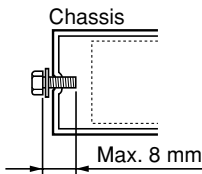
6. INSTALLATION

⚠ CAUTION

- Disconnect the battery negative cable before connecting the wiring.
- If you are making holes in the vehicle body in order to install the unit, first confirm the position of pipes, tanks and electrical wiring to avoid contact and interference.
- When installing the wiring for connection cords on a vehicle equipped with airbags, do not install the wiring where it may affect the airbag system.
- Do not cover the ventilation holes and heat-radiating parts of the tuner.

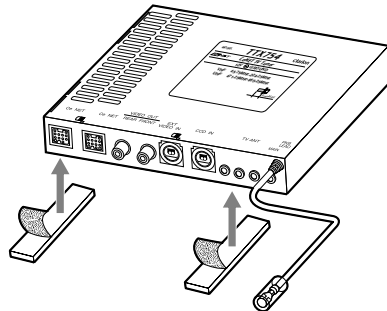
■ Installation Using Screws

1. When using the installation holes at the sides of the unit, use M4 × 8 screws. Using screws other than the specified screws may cause a malfunction.
2. If you are going to drill holes in the dashboard, make sure beforehand that there are no harnesses behind the dashboard at that position or nearby.



■ Installation Using Velcro Tape

1. Apply Velcro tape to the bottom surface of the unit.
2. Attach the unit to the floor carpet beneath the seat.



7. CAUTIONS ON WIRING

Pay particular attention to the following points when laying out the cords.

- Keep the unit's cables as far away as possible from the vehicle's wiring bundles.
- Keep the unit's RCA pin cord and the power cord separated as far as possible.

⚠ CAUTION

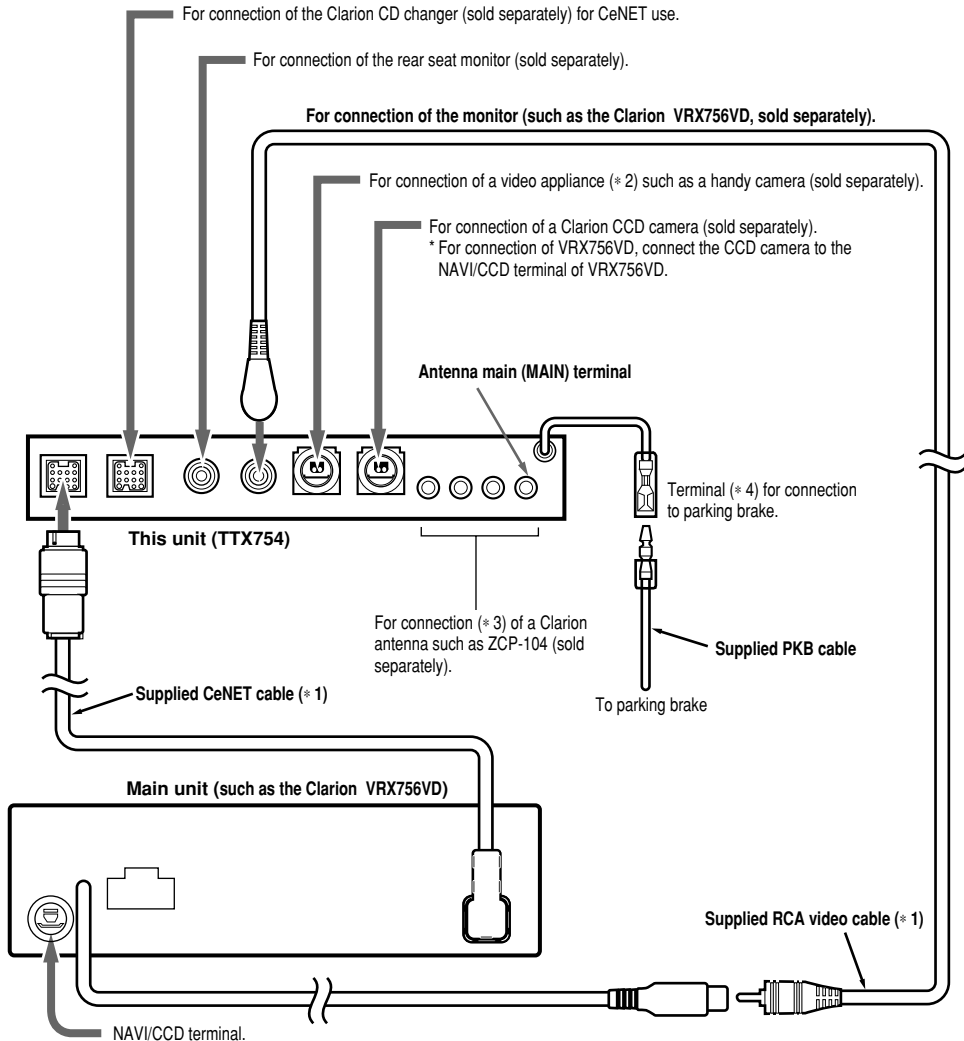
- When you have finished connecting the cords, secure them with clamps and insulating tape for protection.
- Make sure that the connection cables will not get caught on burrs and edges of the metal parts under the seat. It could damage the cables and cause noise from the unit.
- To assist safe driving, connect the parking brake connection terminal to the lead wire on the lamp side of the parking brake lamp switch.

8. WIRING CONNECTIONS

Connect the unit as follows.

Notes:

- *1 Connect the cable to the terminal of equipment (center unit) that is connected by connection cables (CeNET cable) with the L-shaped terminals.
- *2 Connection requires a CCA-389 conversion cord (RCA3P → mini DIN8P) which is sold separately.
- *3 If you are connecting an antenna other than a 4 system diversity antenna, connect it to the MAIN terminal on the far right.
- *4 Connect the terminal to the lead wire on the lamp side of the parking brake lamp switch. After connection, apply the parking brake, then check that the TV displays an image.
 - If the PKB cable is not connected to the side brake, some units may not operate.



Free Manuals Download Website

<http://myh66.com>

<http://usermanuals.us>

<http://www.somanuals.com>

<http://www.4manuals.cc>

<http://www.manual-lib.com>

<http://www.404manual.com>

<http://www.luxmanual.com>

<http://aubethermostatmanual.com>

Golf course search by state

<http://golfingnear.com>

Email search by domain

<http://emailbydomain.com>

Auto manuals search

<http://auto.somanuals.com>

TV manuals search

<http://tv.somanuals.com>