

# 900 MHz Cordless Telephone with Clarity® Power™ Technology

## Model C410 Owners Manual



**CLARITY**  
Amplifying Your Life™

E  
N  
G  
L  
I  
S  
H

E  
S  
P  
A  
Ñ  
O  
L

F  
R  
A  
N  
Ç  
A  
I  
S

# Table of Contents

<b>Safety Instructions</b> . . . . .	3
<b>Getting Started</b> . . . . .	6
C410 Features . . . . .	6
Connecting Your Telephone . . . . .	10
Choosing a Location . . . . .	10
Desktop Installation . . . . .	11
Wall Mount Instructions . . . . .	12
Handset Battery Charging . . . . .	13
<b>Operating Your Telephone</b> . . . . .	14
Features . . . . .	14
Memory Storage . . . . .	18
Making and Receiving Calls . . . . .	19
<b>Trouble Shooting</b> . . . . .	20
<b>FCC Requirements and Regulations</b> . . . . .	22
<b>Warranty and Service</b> . . . . .	24

# Important Safety Instructions

When using your telephone equipment, basic safety precautions should always be followed to reduce the risk of fire, electric shock and injury to persons including the following:

1. Read and understand all instructions.
2. Follow all warnings and instructions marked on the telephone.
3. Do not use this telephone near a bathtub, wash basin, kitchen sink or laundry tub, in a wet basement, near a swimming pool or anywhere else there is water.
4. Avoid using a telephone (other than a cordless type) during a storm. There may be a remote risk of electrical shock from lightning.
5. Do not use the telephone to report a gas leak in the vicinity of the leak.
6. Unplug this telephone from the wall outlets before cleaning. Do not use liquid cleaners or aerosol cleaners on the telephone. Use a damp cloth for cleaning.
7. Place this telephone on a stable surface. Serious damage and/or injury may result if the telephone falls.
8. Do not cover the slots and openings on this telephone. This telephone should never be placed near or over a radiator or heat register. This telephone should not be placed in a built-in installation unless proper ventilation is provided.
9. Operate this telephone using the electrical voltage as stated on the base unit or the owner's manual. If you are not sure of the voltage in your home, consult your dealer or local power company.
10. Do not place anything on the power cord. Install the telephone where no one will step or trip on the cord.
11. Do not overload wall outlets or extension cords as this can increase the risk of fire or electrical shock.
12. Never push any objects through the slots in the telephone. They can touch dangerous voltage points or short out parts that could result in a risk of fire or electrical shock. Never spill liquid of any kind on the telephone.
13. To reduce the risk of electrical shock, do not take this phone apart. Opening or removing covers may expose you to dangerous voltages or other risks. Incorrect reassembly can cause electric shock when the appliance is subsequently used.
14. Unplug this product from the wall outlet and refer servicing to the manufacturer under the following conditions:
  - A. When the power supply cord or plug is frayed or damaged.
  - B. If liquid has been spilled into the product.
  - C. If the telephone has been exposed to rain or water.
  - D. If the telephone does not operate normally by following the operating instructions. Adjust only those controls that are covered by the operating instructions. Improper adjustment may require extensive work by a qualified technician to restore the telephone to normal operation.
  - E. If the telephone has been dropped or the case has been damaged.
  - F. If the telephone exhibits a distinct change in performance.
15. Never install telephone wiring during a lightning storm.
16. Never install telephone jacks in wet locations unless the jack is specifically designed for wet locations.
17. Never touch uninsulated telephone wires or terminals unless the telephone line has been disconnected at the network interface.
18. Use caution when installing or modifying telephone lines.
19. Use only the power cord and batteries indicated in the manual. Do not dispose of batteries in a fire. They may explode. Check with local codes for possible special disposal instructions.
20. Plug the AC adaptor into the outlet that is nearest and most accessible to the telephone.

**SAVE THESE INSTRUCTIONS**

# Safety Instructions for Batteries

**Caution:** Risk of explosion if battery is replaced by an incorrect type. Dispose of used batteries according to the instructions.

1. Use only the approved battery pack in the handset of your cordless phone.

**For Handset Unit:** 3.6 V 600mAHr  
NiMH Rechargeable Battery  
GP60AAA3BMJZ  
GPI International Ltd  
3SN-AAA60H-S-J1  
Sanik Battery Co., Ltd.

2. Do not dispose of the battery in a fire as it may explode. Check with local codes for possible special disposal instructions.
3. Do not open or mutilate the battery. Released electrolyte is corrosive and may cause damage to the eyes and skin. It may be toxic if swallowed.
4. Exercise care in handling batteries in order not to short the battery with conducting materials such as rings, bracelets and keys. The battery or conduction material may overheat and cause burns.
5. Charge the battery (ies) provided with or identified for use with this product only in accordance with the instructions and limitations specified in this manual.
6. Observe proper polarity orientation between the battery pack and the battery charger.

**SAVE THESE INSTRUCTIONS**

## Important Safety Instructions

The following items are included as part of the CS-03 Requirements. The standard connecting arrangement code for the equipment is CA11A. This product meets the applicable Industry Canada technical specifications.

**NOTICE:** The Canadian Department of Communications label identifies certified equipment. This certification means that the equipment meets certain telecommunications network protective operational and safety requirements. The Department does not guarantee that the equipment will operate to the user's satisfaction. Before installing this equipment, users should ensure that it is permissible to be connected to the facilities of the local telecommunications company. The equipment must also be installed using an acceptable method of connection. In some cases, the company's inside wiring associated with a single line individual service may be extended by means of a certified connector assembly (telephone extension cord). The customer should be aware that compliance with the above conditions may not prevent degradation of service in some situations. Repairs to certified equipment should be made by an authorized Canadian maintenance facility designated by the supplier. Any repairs or alterations made by the user to this

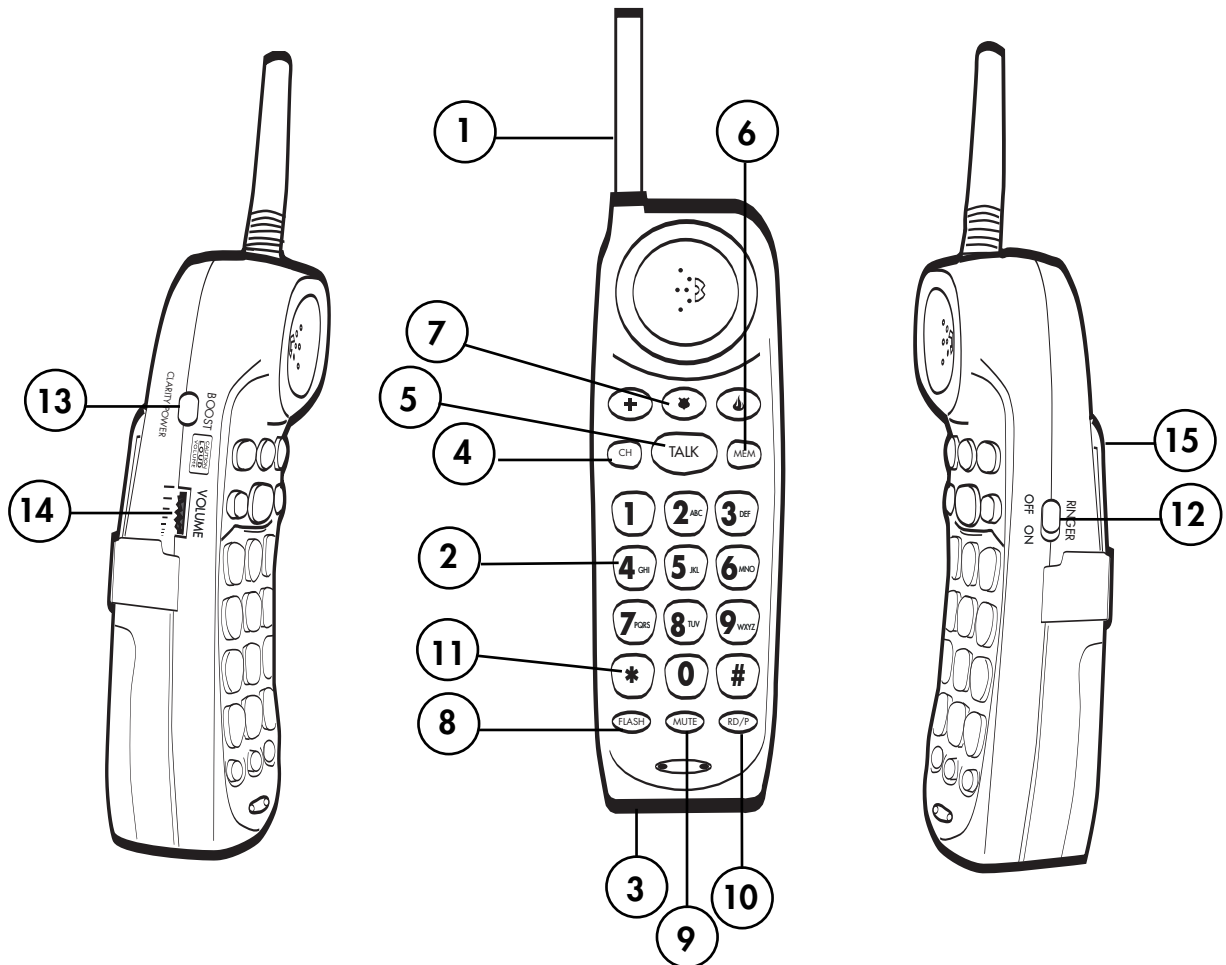
equipment, or equipment malfunctions, may give the telecommunications company cause to request the user disconnect the equipment. Users should ensure for their own protection that the electrical ground connections of the power utility, telephone lines and internal metallic water pipe system, if present, are connected together. This precaution may be particularly important in rural areas. Caution: Users should not attempt to make such connections themselves, but should contact the appropriate electric inspection authority, or electrician, as appropriate. The Ringer Equivalent Number is an indication of the maximum number of terminals allowed to be connected to a telephone interface. The termination on an interface may consist of any combination of devices subject only to the requirement that the sum of the Ringer Equivalent Number of all the devices not exceed five.

**SAVE THESE INSTRUCTIONS**

# Getting Started

## C410 FEATURES

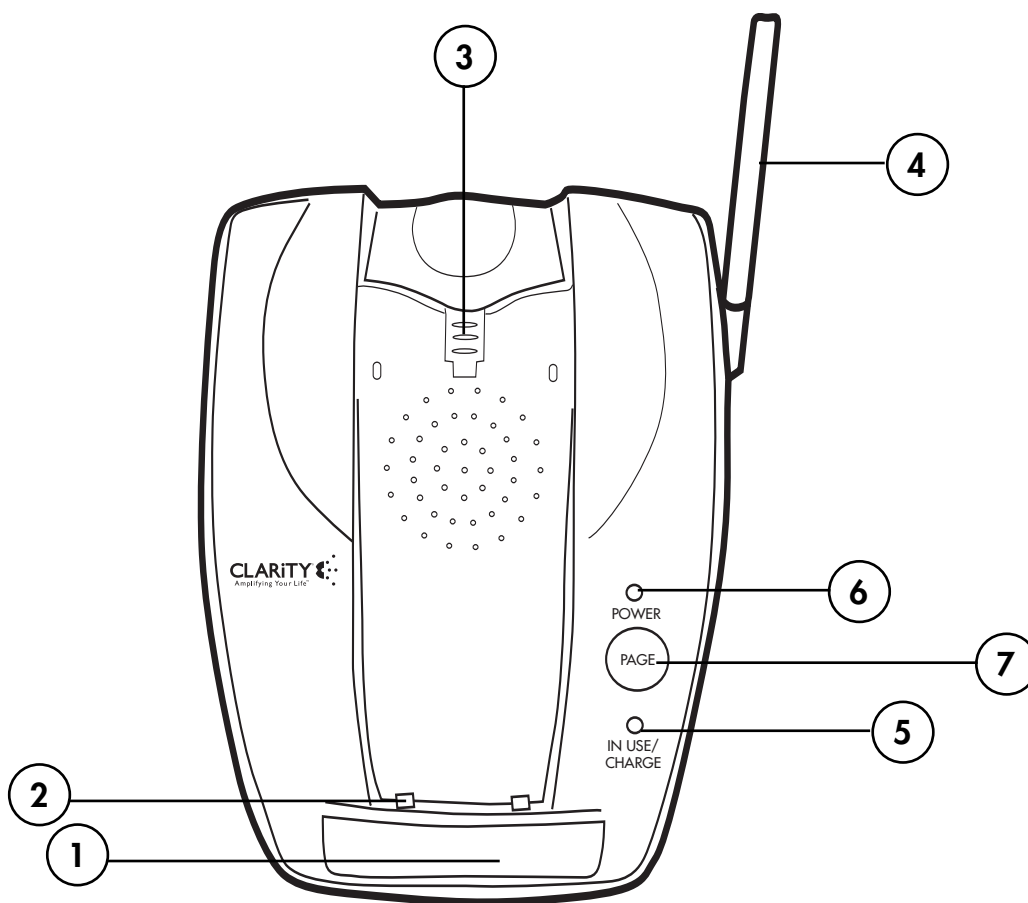
1. Antenna/Handset Visual Ringer
2. Dial Pad
3. Charge Contacts
4. Channel Button (CH)
5. Talk Button (TALK)
6. Memory Button (MEM)
7. Emergency Memory Storage Buttons
8. Flash Button (FLASH)
9. Mute Button (MUTE)
10. Redial/Pause Button (RD/P)
11. Temporary Tone Button (\*)
12. Ringer On/Off
13. Boost Clarity Power On/Off
14. Volume Dial
15. Belt Clip



# Getting Started

## C410 FEATURES

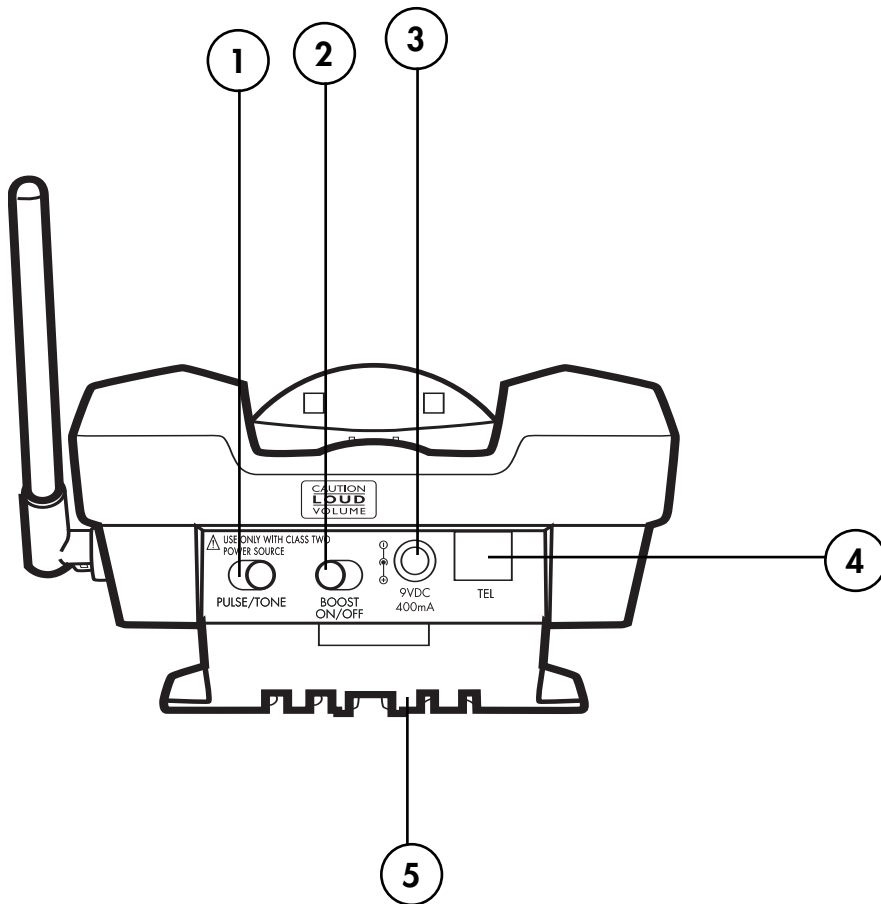
1. Visual Ringer
2. Charging Contacts
3. Handset Tab
4. Base Antenna
5. In Use/Charge LED (GREEN)
6. Power LED (RED)
7. Page



# Getting Started

## C410 FEATURES

1. Pulse/Tone
2. BOOST On/Off
3. AC Adapter Jack
4. Telephone Line Jack
5. Desk/Wall Mounting Bracket

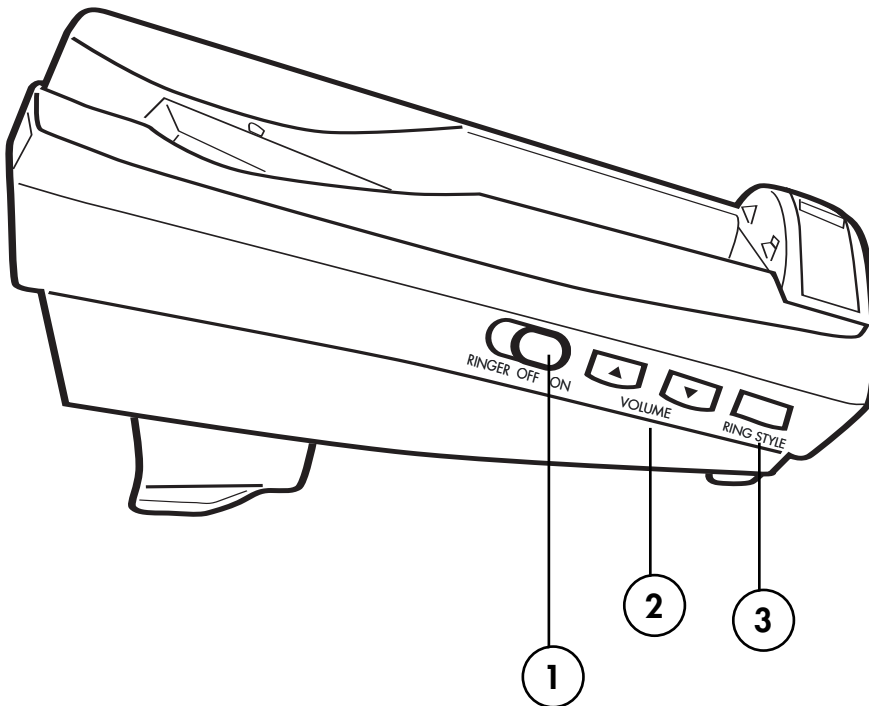




# Getting Started

## C410 FEATURES

1. Ringer On/Off
2. Volume Up/Down
3. Ring Style



# Getting Started

## CONNECTING YOUR TELEPHONE

1. Carefully remove your cordless telephone from its box. If there is any visible damage, do not attempt to operate this equipment. Return it to the place of purchase.
2. Check to be sure that you have all items that come with your C410 telephone. You should have a HANDSET, BASE UNIT, AC ADAPTER, BATTERY, MOUNTING BRACKET, 6 INCH AND 6 FOOT TELEPHONE LINE CORD, BELT CLIP and OWNERS MANUAL.

If at any time you have questions about your C410 please contact our Customer Service Department at:  
**1-800-552-3368 or 423-622-7793**

## CHOOSING A LOCATION

1. This phone requires a modular phone jack (RJ11C) and a standard 120-volt outlet.
2. Plug the AC adapter directly into outlet.
3. Do not plug other appliances into outlet or have outlet controlled by a wall switch.
4. Chose a location that is out of the way of normal activities

**CAUTION: Always connect the AC adapter to the phone before you connect it to the AC power. When you finish, disconnect the AC power before you disconnect it from the phone.**

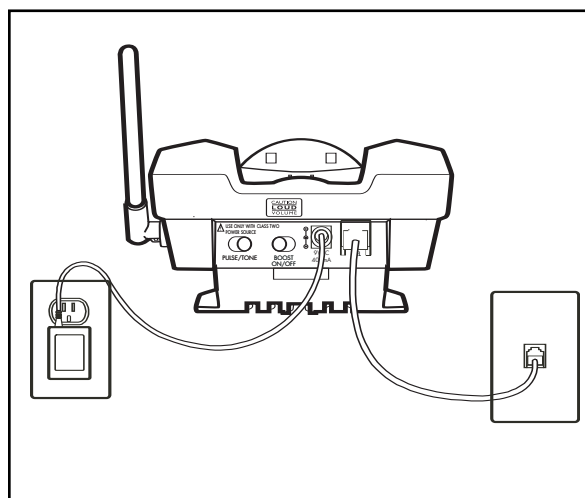
# Getting Started

## DESKTOP INSTALLATION

Follow these instructions to place the base on a desk or table top using the supplied bracket.

1. Insert the bracket's tab into the base's upper tab slots in the direction of DESKTOP marked on the bracket, then press down on the bracket's clips and insert them into the clip slots.
2. Plug one end of the supplied modular telephone line cord into the TEL jack located on the back of the base of the phone.
3. Plug the modular telephone line cord's other end into a modular phone jack.
4. Insert the supplied AC adapter's plug into the jack marked DC 9V 400mA located on the back of the telephone base.
5. Route the adapter's cord through the strain relief slot on the bracket.
6. Plug the adapter into a standard AC power (electrical) outlet.

7. Lift the base's antenna to a vertical position.
8. Set the TONE/PULSE switch located on the back of the base to correct dialing mode. Please check with your local Phone Company if uncertain of the type of service.
9. Place handset in the cradle to begin initial charging.  
**Remember, you must charge the phone for at least 12 hours before you use the phone for the first time.**

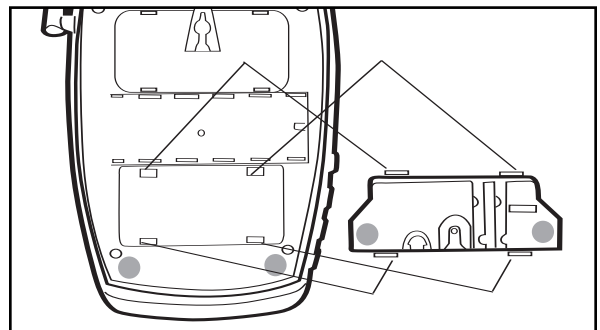


# Getting Started

## WALL MOUNTING INSTRUCTIONS

The base unit may be mounted on a standard wall plate.

1. With the back of the unit facing up insert the supplied mounting bracket's tabs into the base's lower tab slots in then direction of WALL MOUNT marked on the bracket, then press down on the brackets clips and insert them into the clip slots.
2. Plug one end of the supplied short modular telephone line cord into the TEL jack located on the back of the base of the phone.
3. Insert the plug of the AC adapter into the jack marked DC 9V 400mA located on the back of the telephone base.
4. Route the adapter's cord through the narrow groove located on the back of mounting bracket to secure the cord.
5. Plug the short modular telephone line cord into the wall plate jack, then align the mounting bracket's keyhole slots with the wall plate studs and slide the base of the phone downward to secure it on the wall.
6. Plug the adapter into a standard AC power (electrical) outlet.
7. Press and lift out the handset holder tab, turn it around so the narrow tab end extends out and slide back into its slot. This will hold the handset in the cradle when the phone is wall mounted.
8. Lift the base's antenna to a vertical position.
9. Set the TONE/PULSE switch located on the back of the base to correct dialing mode. Please check with your local Phone Company if uncertain of the type of service.
10. Place handset in the cradle to begin initial charging.  
**Remember, you must charge the phone for at least 12 hours before you use the phone for the first time.**



# Getting Started

## HANDSET BATTERY CHARGING

The battery in the handset must be fully charged for 12 hours before using the telephone for the first time.

1. Place the handset in the base. The CHARGE LED on the base will light green.
2. After the batteries are fully charged, check for dial tone by pressing TALK on the handset.
3. When the handset battery gets low, there will be 2 beeps every 30 seconds and the TALK button will flash. If the battery becomes low while you are on a call, you will be disconnected after about two (2) minutes. Terminate the call and recharge the battery.

To recharge battery pack, place the handset in the base. The unit can charge in the base unit either face up or face down. If charging in the face up position, the belt clip must be removed so the handset will connect with the charging contacts in the base.

1. Make sure the contact points are touching and the CHARGE LED is lit.
2. Be careful not to short battery with conducting materials such as rings, bracelets and keys.

## BATTERY LIFE

Talk Time: 4 hours  
Standby: 8 days without usage

Actual amounts will vary depending on the amplifier settings used.

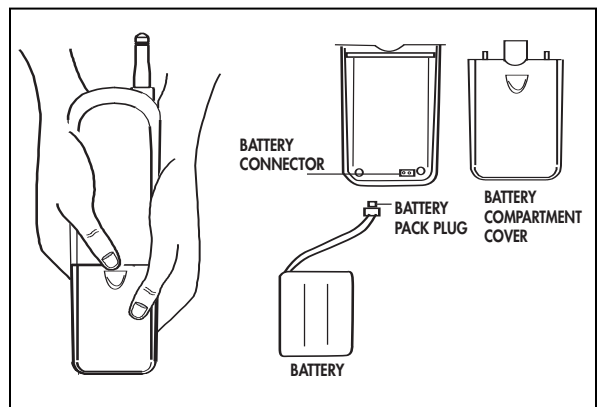
Replace battery every two (2) years.

## REPLACEMENT BATTERIES

The C410 uses a 3.6Volt 600mAHr NiMH Rechargeable battery. GP60AAAH3BMJZ, GPI International Ltd. 3SN-AAA60H-S-J1, Sanik Battery Co., Ltd

### To Install Batteries

1. Remove battery cover.
2. Install battery.
3. Close battery cover.
4. Charge for 12 hours before first use.



# Operating Your Telephone

## FEATURES

### Clarity® Power™ Technology

With the Clarity Power feature the high frequency sounds are amplified more than the low frequency sounds so that words are not just louder, but clearer and easier to understand.

### Boost Clarity Power On/Off Button

The C410 has a BOOST CLARITY POWER button that controls the loudness of the receiver. Once the BOOST CLARITY POWER button is pressed, an extra level of amplification is added over the entire range of the volume control. The default state of this button is determined by the BOOST switch (back of base of unit, see below). During a call, the BOOST CLARITY POWER button can toggle the Clarity Power function on or off according to the user's needs.

The TALK button will light **ORANGE** to indicate the **CLARITY POWER** feature is activated.

**WARNING: When the TALK button is lit ORANGE volume may be at a high level. To protect hearing, lower the volume control to minimum before using.**

### Volume Dial

The dial controls the level of volume the handset and headset receive. The volume dial provides up to 15 dB of volume before the BOOST CLARITY POWER button is activated. Once the button is pressed, the C410 will provide up to 30 dB of gain.

### Boost On/Off Switch

This switch will disable the reset feature of the BOOST CLARITY POWER button as follows:

**ON-** When the BOOST ON/OFF switch is set to "ON", the Boost function will be ON every time a call starts, and will default to ON every time the phone hangs up. During a call, the BOOST CLARITY POWER button can toggle the Clarity Power ON or OFF according to the user's needs.

**OFF-** When the BOOST ON/OFF switch is set to "OFF", the Boost function (Clarity Power) will be OFF every time a call starts, and the user will need to press the BOOST CLARITY POWER button in order to gain the extra level of amplification. If the phone hangs up, the Clarity Power will reset to OFF. During a call, the

# Operating Your Telephone

**BOOST CLARITY POWER** button can toggle the Clarity Power function on or off according to the user's needs.



**CAUTION: VOLUME WILL BE LOUD WHEN BOOST SWITCH IS SET TO ON.**

## Ringer Controls

Ringers and ringer controls are located in both the handset and the base of the C410.

### Handset Ringer

Set the switch marked RINGER ON/OFF located on the side of the handset. The ringer switch must be set to ON for the handset to ring signaling an incoming call.

### Base Ringer

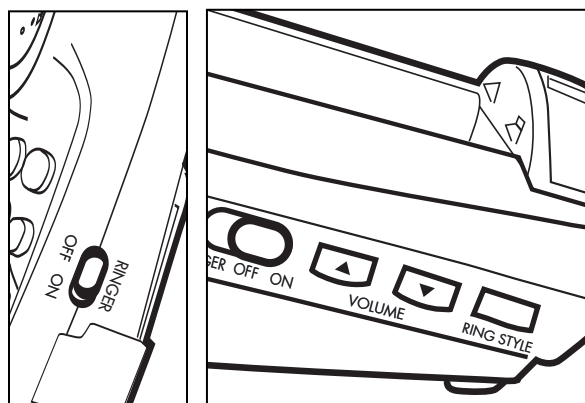
The base ringer includes ringer volume and ring style adjustments located on the side of the base of the telephone. Adjust the volume of ring by pressing the VOLUME UP or DOWN switch until the desired ring volume is achieved. There are six (6) levels of volume available.

The style of ring or cadence can also be adjusted by pressing the RING STYLE button. Six (6) styles are available allowing you to customize your ring. The ringer will sound for 2 seconds while choosing a ringer style, to allow the user to make a choice.

**NOTE: If both handset and base ringer's are set to OFF, the visual ringer will flash to indicate there is an incoming call.**

### Visual Ringer

Visual ringers are located in both the handset antenna and the base of the telephone. When an incoming call is received, these lights will flash. The handset visual ringer will be lit when the phone is in use.



# Operating Your Telephone

## Headset/Neck Loop Jack

A 2.5 mm jack is located on the top of the of the telephone handset that can be used in conjunction with a headset. While in headset mode, the volume of headset is controlled by the telephone. The same 2.5 mm jack can be used for neck loops, in conjunction with an adapter to the 3.5 mm jack.

## Ordering a Headset

In the event you wish to purchase a headset for your C410, please contact Plantronics at 1-800-544-4660 for location near you. We recommend using the Plantronics M110 headset.

## Flash

The FLASH button is activated to use custom calling services such as Call Waiting or Three Way Calling. Please contact your local telephone company for information on these services.

## Mute

The MUTE button allows the user to conduct a private conversation that you do not want the person on the other end to hear. While in the mute mode, the MUTE

button will become RED and the microphone in the handset is disabled. Pressing the MUTE button again will disengage the MUTE feature.

## Redial/Pause

The RD/P button operates both the last number redial and the pause feature.

## Last Number Redial

The last number dialed (up to 32 digits) is stored in the redial memory until another number is dialed.

## To Use this Feature

1. Press the TALK button.
2. When you hear the dial tone, press the RD/P button.
3. The phone will automatically dial for you.

## Pause Feature

A four (4) second pause may be inserted into the speed dialing of the telephone numbers. Press the RD/P button at the required point during storage of a number into memory.



# Operating Your Telephone

## Lighted Key Pad

The key pad will light for fifteen (15) seconds after removing from the base when there is an incoming call. To reactivate the feature while in standby or in use, press any key.

## Page / Handset Locator

To send a page signal from the base to the handset, press the PAGE button located on the base of the telephone. A series of rings will sound from the handset.

To locate the handset if it is away from the base, press and hold the PAGE button for approximately five (5) seconds. A series of rings will sound for approximately sixty (60) seconds. Return the handset to the base or press the TALK button to cancel the page. Press TALK again to return to standby mode.

## 40 Channel Operation

The C410 cordless telephone automatically searches and selects the clearest of 40 channels when it is being used.

## Security Code

The security code prevents your cordless phone from being accessed by a phone on a different line. Once the handset battery is fully charged, the handset will automatically select the code from over 65,000 combinations. The code is changed every time the handset is placed in the cradle.

If you have trouble with placing or receiving calls, a lost security code may be the cause of the problem. When this occurs, the handset can no longer communicate with the base. Reset by placing the handset on the base for 5-10 seconds. If that does not work, unplug the AC adapter from the wall outlet. Disconnect the handset battery for 5-10 seconds, and then reconnect. Place handset back on the base and then reinsert the AC adapter.

## Hearing Aid Compatibility

The handset has a special coil inside of it to couple the sound to hearing aids equipped with T-Switches/T-Coils.

# Operating Your Telephone

## MEMORY STORAGE

### Emergency Storage Buttons

Three emergency buttons are located on the handset. These storage buttons can be programmed with numbers of up to 16 digits.

### Memory Storage Locations

The C410 also has 10 indirect or two touch memory locations on the telephone (0-9) that can be programmed to dial frequently called numbers of up to 16 digits.

### To Store numbers into memory

1. Press the MEM button.
2. Dial the number you wish to store.
3. Press the MEM button again.
4. Press either the emergency button or the number on the dial pad that you wish to store the number to.
5. A long beep will indicate the programming process is complete.

During the memory storage process the **TALK** button will flash **GREEN**. In the event of a power outage memory is retained of at least six (6) hours.

### To Change a Number Stored into Memory

Replace a stored number by programming a new number in its place.

### To Delete a Number Stored into Memory

1. Press and release the MEM button.
2. Press the \* key once for each digit in the number you are deleting.
3. Press the MEM button again.
4. Press the button for the memory location you want to delete the number from.

# Operating Your Telephone

## MAKING AND RECEIVING PHONE CALLS

### Placing a Phone Call

1. Press the TALK button. (TALK button will illuminate).
2. Dial the number you wish to call.
3. Adjust the rotary Volume Control to desired level.
4. Press the Clarity Power Button (activates the Clarity Power Technology) to gain the extra level of amplification, if needed.

Refer to BOOST CLARITY POWER ON/OFF and BOOST ON/OFF for additional information on volume controls.

### To Dial from Memory

1. Press the TALK button.
2. Press the MEM button.
3. Press the number on the dial pad where the desired number has been stored.
4. The call will automatically dial.
5. Adjust volume and Clarity Power as needed.

### To Dial From Emergency Storage Location

1. Press the TALK button.
2. Press the desired emergency button.
3. The call will automatically dial.

4. Adjust volume and Clarity Power as needed.

### To use a TONE service on a Pulse Line

1. Dial the number you wish to call
2. When the call is answered, press the \* key. Additional numbers you dial are sent as tone signals.
3. After completing the call, press TALK or return the handset to the base. The phone will automatically reset.

## Receiving a Call

### Handset in Base of Telephone

1. Lift the handset. Do not press TALK. You will automatically be connected.

### Handset out of Base

1. Press the TALK button.

## Ending a Call

Place the handset in the base cradle or press the TALK button to disconnect the line.

**Note:** When placing or receiving a call, the handset visual ringer will lite, indicating the phone is in use.

# Troubleshooting

## The Unit Will Not Operate/No Dial Tone

- Verify the TALK Button is lit.
- Verify the AC adapter is securely plugged into the AC power outlet and the telephone.
- Verify the telephone line cord is securely plugged into the wall jack and the telephone.
- Make sure the base antenna is in an upright position.
- Make sure the handset battery is fully charged.
- Verify the telephone is in the correct dialing mode, tone (touch) or pulse (rotary).
- Make sure you are in the usable range of the base station.
- Reset the security code by placing the handset in the base for 5-10 seconds.

## The Phone Does Not Ring When You Receive a Call

- Make sure the RINGER switch on the handset and base are set to ON.
- Verify the AC adapter is securely plugged into the base and the telephone.
- Verify the telephone line cord is securely plugged into the wall jack and the telephone.

- Make sure you are in the usable range of the base station.
- You may have too many extensions on your line. Try unplugging a few devices.

## Noise, Static, Interference or Other Calls Heard while Using the Handset

- Try changing channels.
- Make sure the base antenna is in an upright position.
- Make sure you are in the usable range of the base station.
- Make sure the handset battery is fully charged.
- Try relocating the base unit to another location.
- Make sure the AC adapter is not plugged into the wall outlet with other appliances.

## Phone Will Not Hold Charge

- Make sure the charging contacts on the handset and base are free of dust and dirt.
- Clean the contacts with a soft cloth.
- Make sure CHARGE LED on the base is lit when handset is in the cradle. If necessary, replace the handset battery. (See Handset Battery Charging)

# Troubleshooting

## Difficulty in Placing or Receiving Calls

- Move closer to the base and try again.
- If moving closer does not work, you may have lost the security code.
- Reset code by placing the handset back on the base for 5-10 seconds. (See Security Code Section)
- Make sure you have selected the correct dialing mode, tone or pulse.
- Make sure the AC adapter is not plugged into a wall outlet with other appliances.
- Disconnect for 5-10 seconds then reconnect. Place the handset back on the base and reinsert the AC adapter.
- Make sure the handset battery is fully charged.

# Federal Communications Commissions Requirements

## FCC Part 68 Information

### General Information:

a) This equipment complies with Part 68 of FCC Rules and the requirements adopted by the ACTA. On the bottom of this equipment is a label that contains, among other information, a product identifier in the format US:AAAE Q##TXXXX. If requested, this information must be provided to the telephone company.

b) A plug and jack used to connect this equipment to the premises wiring and telephone network must comply with the applicable FCC Part 68 rules and requirements adopted by the ACTA. A compliant telephone cord and modular plug, RJ11C USOC, is provided with this product. It is designed to be connected to a compatible modular jack that is also compliant. See installation instructions for details.

c) The REN is used to determine the number of devices that may be connected to a telephone line. Excessive RENS on a telephone line may result in the devices not ringing in response to an incoming call. In most but not all areas, the sum of RENS should not exceed five (5.0). To be certain of the number of devices that may be connected to a line, as determined by the total RENS, contact the local telephone company. For products approved after July 23, 2001, the REN for this product is part of the product identifier that has the format US:AAAEQ##TXXXX. The digits represented by ## are the REN without a decimal point (e.g., 03 is a REN of 0.3). For earlier products, the REN is separately shown on the label.

d) If this telephone equipment causes harm to the telephone network, the telephone company will notify you in advance that temporary discontinuance of service may be required. But, if advance notice isn't practical, the telephone company will notify the customer as soon as possible. Also, you will be advised of your right to file a complaint with the FCC if you believe it is necessary.

e) The telephone company may make changes in its facilities, equipment, operations or procedures that could affect the operation of the equipment. If this happens the telephone company will provide advance notice in order for you to make necessary modifications to maintain uninterrupted service.

f) If trouble is experienced with this telephone equipment, for repair or warranty information, please contact Clarity at 1-800-552-3368. If the equipment is causing harm to the network, the telephone company may request that you disconnect the equipment until the problem is resolved.

g) This telephone equipment is not intended to be repaired and it contains no repairable parts. Opening the equipment or any attempt to perform repairs will void the warranty. For service or repairs, call 1-800-552-3368.

h) Connection to party line service is subject to state tariffs. Contact the state public utility commission, public service commission or corporation commission for information.

i) If your home has specially wired alarm equipment connected to the telephone line, ensure the installation of this telephone equipment

# Federal Communications Commissions Requirements

does not disable your alarm equipment. If you have questions about what will disable alarm equipment, consult your telephone company or a qualified installer.

j) This telephone equipment is hearing aid compatible.

## Customer-Owned Coin / Credit Card Phones:

To comply with state tariffs, the telephone company must be given notification prior to connection. In some states, the state public utility commission, public service commission or corporation commission must give prior approval of connection.

## Part 15 of FCC Rules Interference Information

This device complies with part 15 of the FCC Rules. Operation is subject to the following two conditions: (1) This device may not cause harmful interference, and (2) this device must accept any interference received, including interference that may cause undesired operation.

Your C410 has been tested and found to comply with the limits of a Class B digital device, pursuant to Part 15 of FCC rules. These limits are designed to provide reasonable protection against harmful interference in residential installation.

This equipment generates, uses, and can radiate radio frequency energy and, if not installed and used in accordance with the instructions, may cause harmful interference to radio communications. However, there is no guarantee that interference

will not occur in a particular installation; if this equipment does cause harmful interference to radio or television reception, which can be determined by turning the equipment off and on, you are encouraged to try to correct the interference by one of the following measures:

1. Where it can be done safely, reorient the receiving television or radio antenna.
2. To the extent possible, relocate the television, radio or other receiver with respect to the telephone equipment. (This increases the separation between the telephone equipment and the receiver.)
3. Connect the telephone equipment into an outlet on a circuit different from that to which the television, radio, or other receiver is connected.
4. Consult the dealer or an experienced radio/TV technician for help.

**CAUTION:** Changes or modifications not expressly approved by the manufacturer responsible for compliance could void the user's authority to operate the equipment.

## THE PARTY RESPONSIBLE FOR PRODUCT COMPLIANCE

Clarity, A Division of Plantronics, Inc.  
4289 Bonny Oaks Drive, Suite 106  
Chattanooga, TN 37406  
Telephone: 800.552.3368

# Warranty & Service

The following warranty and service information applies only to products purchased and used in the U.S. and Canada. For warranty information in other countries, please contact your local retailer or distributor.

## Limited Warranty

Clarity, a division of Plantronics, Inc. ("Clarity") warrants to the original consumer purchaser that, except for limitations and exclusions set forth below, this product shall be free from defects in materials and workmanship for a period of one (1) year from the date of original purchase ("Warranty Period"). The obligation of Clarity under this warranty shall be at Clarity's option, without charge, of any part or unit that proves to be defective in material or workmanship during the Warranty Period.

## Exclusions from Warranty

This warranty applies only to defects in factory materials and factory workmanship. Any condition caused by accident, abuse, misuse or improper operation, violation of instructions furnished by Clarity, destruction or alteration, improper electrical voltages or currents, or repair or maintenance attempted by anyone other than Clarity or an authorized service center, is not a defect covered by this warranty. Telephone companies manufacture different types of equipment and Clarity does not warrant that its equipment is compatible with the equipment of a particular phone company.

## Implied Warranties

Under state law, you may be entitled to the benefit of certain implied warranties. These implied warranties will continue in force only during the warranty period. Some states do allow limitations on how long an implied warranty lasts, so the above limitation may not apply to you.

## Incidental or Consequential Damages

Neither Clarity nor your retail dealer or selling distributors has any responsibility for any incidental or consequential damages including without limitation, commercial loss or profit, or for any incidental expenses, expenses, loss of time, or inconvenience. Some states do not allow exclusion or limitation of incidental or consequential damage, so the above limitation or exclusion may not apply to you.

## Other Legal Rights

This warranty gives you specific legal rights and you may also have other rights which vary from state to state.



# Warranty & Service

## How to Obtain Warranty Service

To obtain warranty service, please prepay shipment and return the unit to the appropriate facility listed below.

### In the United States

Clarity Service Center  
4289 Bonny Oaks Drive, Suite 106  
Chattanooga, Tennessee 37406  
Tel. (423) 629-3500 or  
(800) 552-3368  
Fax: (423) 622-7646 or  
(800) 325-8871

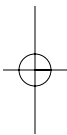
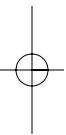
### In Canada

Plantronics Service Center  
8112 Trans Canada Highway  
Ville Saint-Laurent  
Quebec H4S 1M5  
Tel: (800) 540-8363  
(514) 956-8363  
Fax: (514) 956-1825

Please use the original container, or pack the unit(s) in a sturdy carton with sufficient packing material to prevent damage. Include the following information:

1. A proof-of-purchase indicating model number and date of purchase.
2. Bill-to address.
3. Ship-to address.
4. Number and description of units shipped.
5. Name and telephone number of person to call, should contact be necessary.
6. Reason for return and description of the problem.

Damage occurring during shipment is deemed the responsibility of the carrier, and claims should be made directly with the carrier.



# Teléfono Autónomo en 900MHz con Tecnología Clarity® Power™

## Manual del Propietario, Modelo C410



E  
S  
P  
A  
Ñ  
O  
L

**CLARITY**   
Amplifying Your Life™

# Contenido

<b>Instrucciones Sobre Seguridad</b> .....	29
<b>Forma de Comenzar</b> .....	32
Características del C410 .....	32
Forma de conectar su teléfono .....	36
Escoger una ubicación .....	36
Instalación sobre una mesa .....	37
Instrucciones para montaje en pared .....	38
Carga de baterías del microteléfono .....	39
<b>Operación De Su Teléfono</b> .....	40
Características .....	40
Forma de guardar datos en memoria .....	44
Hacer y recibir llamadas .....	45
<b>Localización de Fallas</b> .....	46
<b>Normas y Regulaciones de la FCC</b> .....	48
<b>Garantía y Servicio</b> .....	50

# Importante instrucciones sobre seguridad

Al usar su equipo del teléfono, las medidas de seguridad básicas se deben seguir siempre para reducir el riesgo del fuego, descarga e imnjury eléctricos a las personas, incluyendo el siguiente:

1. Lea y entienda todas las instrucciones.
2. Observe todas las advertencias e instrucciones marcadas en el teléfono.
3. No use este teléfono cerca de una bañera, lavadero, fregadero o vasija para lavar; ni en sótano húmedo, cerca de una piscina o en cualquier lugar donde haya agua.
4. Evite el uso de un teléfono (fuera del tip autónomo) durante una tormenta. Existe el riesgo remoto de una sacudida eléctrica debido a los rayos.
5. No use el teléfono para reportar un escape de gas cerca de donde se produce el escape.
6. Desconecte este teléfono de la salida de pared antes de limpiarlo. No use en el teléfono limpiadores líquidos o limpiadores de aerosol. Use un paño húmedo para hacer limpieza.
7. Coloque este teléfono sobre una superficie estable. Graves daños y/o lesiones se pueden producir si el teléfono se cae.
8. No cubra las ranuras o aberturas en este teléfono. Este teléfono nunca debe colocarse cerca o sobre un radiador o registro térmico. Este teléfono no debe instalarse en un recinto sin disponer de la ventilación adecuada.
9. Opere este teléfono empleando el voltaje eléctrico indicado en la unidad de base, o en el manual del propietario. Si no se está seguro del voltaje disponible in-situ, consulte con su distribuidor o con la compañía local del servicio eléctrico.
10. No coloque nada sobre el cordón eléctrico. Instale el teléfono donde nadie camine sobre o se tropiece con el cordón eléctrico.
11. No sobrecargue las salidas de pared o cordones de extensión ya que se aumenta el riesgo de incendio o sacudidas eléctricas.
12. Nunca empuje ningún objeto a través de las ranuras en el teléfono. Se puede hacer contacto en puntos con voltaje eléctrico peligroso o hacer cortos con piezas que resultarían en riesgo de incendio o sacudida [shock] eléctrico. Nunca derrame ningún tipo de líquido sobre el teléfono.
13. Para reducir el riesgo de una sacudida eléctrica, no desarme ese teléfono. Abrir o retirar tapas puede exponerlo a voltajes peligrosos u otros riesgos. El reensamblaje incorrecto puede provocar sacudidas [shock] eléctricas al usar nuevamente el instrumento.
14. Desconecte este producto de la salida de pared y refiera el servicio al fabricante bajo las condiciones siguientes:
  - A. Cuando el cordón del suministro eléctrico o el enchufe están cuarteados o dañados.
  - B. Si se ha derramado líquido dentro del producto.
  - C. Si el teléfono ha estado expuesto a la lluvia o al agua.
  - D. Si el teléfono no funciona normalmente a pesar de seguir las instrucciones de operación. Ajustar solamente los controles que están cubiertos por las instrucciones de operación. El ajuste incorrecto puede demandar trabajos extensos realizados por un técnico calificado para restaurar el teléfono a su operación normal.
  - E. Si se ha dejado caer el teléfono o si se ha dañado la caja.
  - F. Si el teléfono da muestras de un cambio distinto en su desempeño.
15. Nunca instale líneas telefónicas durante una tormenta eléctrica.
16. Nunca instale enchufes telefónicos en lugares húmedos a menos que el enchufe esté diseñado específicamente para esas finalidades húmedas.
17. Nunca toque alambres o terminales telefónicos que carezcan de aislamiento, a menos que la línea telefónica haya sido desconectada en el interconector de la red.
18. Tenga cuidado al instalar o modificar líneas telefónicas.
19. Utilice el cable eléctrico solamente y las baterías indicadas en este manual. No disponga de las baterías en un fuego. Pueden estallar. Compruebe con los códigos locales para saber si hay instrucciones especiales posibles de la disposición.
20. Tape el adaptador de la CA en el enchufe que es los más cerca posible y el más accesible al teléfono.

**GUARDE ESTAS INSTRUCCIONES**

# Instrucciones De Seguridad Para Baterías

**Precaución:** Riesgo de la explosión si la batería es substituida por un tipo incorrecto. Disponga de las baterías usadas según las instrucciones.

1. Solamente used el paquete de baterias aprobado para el microteléfono de su teléfono autónomo.

**For Handset Unit:** 3.6 V 600mAh  
NiMH Rechargeable Battery  
GP60AAAH3BMJZ  
GPI International Ltd  
3SN-AAA60H-S-J1  
Sanik Battery Co., Ltd.

2. No se deshaga de las baterías echándolas al fuego. Pueden explotar. Compruebe con los códigos locales acerca de posibles instrucciones especiales para desecharlas.
3. No abra o mutile la batería. El electrólito interno es corrosivo y puede provocar lesiones en sus ojos o en la piel. Puede ser venenoso si se ingiere.

4. Tener cuidado con la manipulación de baterías con el fin de no provocar un corto circuito en las baterías y materiales conductores tales como anillos, brazaletes y llaves. La batería o material conductor puede recalentarse y provocar quemaduras.
5. Cargar las baterías suministradas o identificadas para uso con este producto solamente de acuerdo con las instrucciones y limitaciones especificadas en este manual.
6. Observar la orientación de polaridad apropiada entre el paquete de baterías y el cargador de baterías.

## Importantes Instrucciones Sobre Seguridad

Los siguientes items están incluidos como parte de los Requisitos CS-03. El código de la disposición estándar para conexiones del equipo es CA11A. Este producto resuelve las especificaciones técnicas de Canadá de la industria aplicable.

**AVISO:** El rótulo del Canadian Department of Communications (Departamento de Comunicaciones del Canadá) identifica equipos certificados. Esta certificación significa que el equipo cumple con ciertos requisitos de seguridad, tanto de protección como de operación en las redes de telecomunicaciones. El Departamento no garantiza que el equipo funcionará a satisfacción del usuario. Antes de instalar este equipo, los usuarios deben asegurarse que está permitido conectarlos a las instalaciones de la compañía local de telecomunicaciones. El equipo también debe instalarse empleando un método aceptable de conexión. En algunos casos, el alambrado interior de la compañía asociado con el servicio de una línea individual puede extenderse mediante un conjunto de conector certificado (cable de extensión telefónica). El cliente debe estar consciente de que el cumplimiento con las condiciones anteriores puede que no impida la degradación del servicio en algunas situaciones. Las reparaciones en equipos certificados deben ser hechas en una instalación de mantenimiento Canadiense autorizada y designada por el proveedor. Cualquier reparación o alteraciones realizadas en este

equipo por el usuario, o mal funcionamiento del equipo podrá dar a la compañía de telecomunicaciones causa para solicitar del usuario la desconexión del equipo.

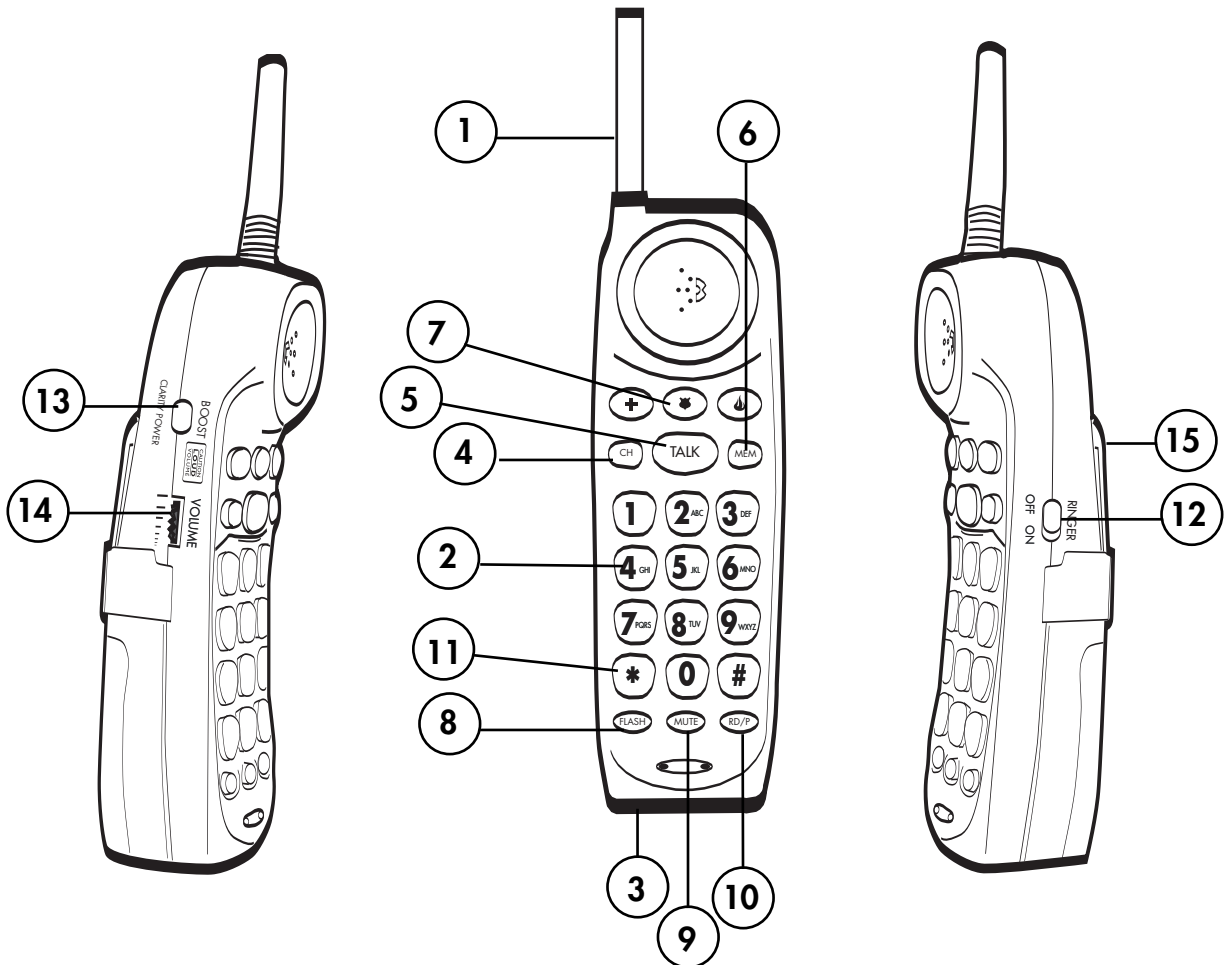
Para su propia protección, el usuario debe asegurar que la conexión eléctrica a tierra de la compañía de servicio público, las líneas telefónicas y el sistema de tuberías metálicas internas para agua, si están presentes, se encuentren conectadas juntas. Esta precaución podría tener especial importancia en áreas rurales. Precaución: Los usuarios no deben intentar realizar estas conexiones por si mismo. Deben comunicarse con las autoridades de inspección eléctrica adecuadas, o con un electricista, como apropiados al caso. El número equivalente del campanero es una indicación del número máximo de los terminales permitidos ser conectado con un interfaz del teléfono. La terminación en un interfaz puede consistir en cualquier combinación del tema de los dispositivos solamente al requisito que suma del total del número de Equivalent del campanero del total de todos los dispositivos no exceder de cinco.

**CONSERVER CES INSTRUCTIONS**

## Forma De Comenzar

### CARACTERÍSTICAS DEL C410

1. Antena/Llamador visual del microteléfono
2. Cojín del dial
3. Contacto para carga eléctrica
4. Botón de canales (CH)
5. Botón para hablar (TALK)
6. Botón de memoria (MEM)
7. Botones para almacenar memoria de emergencia
8. Botón de destello (FLASH)
9. Botón de silencio (MUTE)
10. Botón de repetición de llamada/pausa (RD/P)
11. Botón de tonalidad temporal (\*)
12. Timbre ON/OFF
13. Boost Clarity Power ON/OFF
14. Volumen
15. Presilla para cinturón

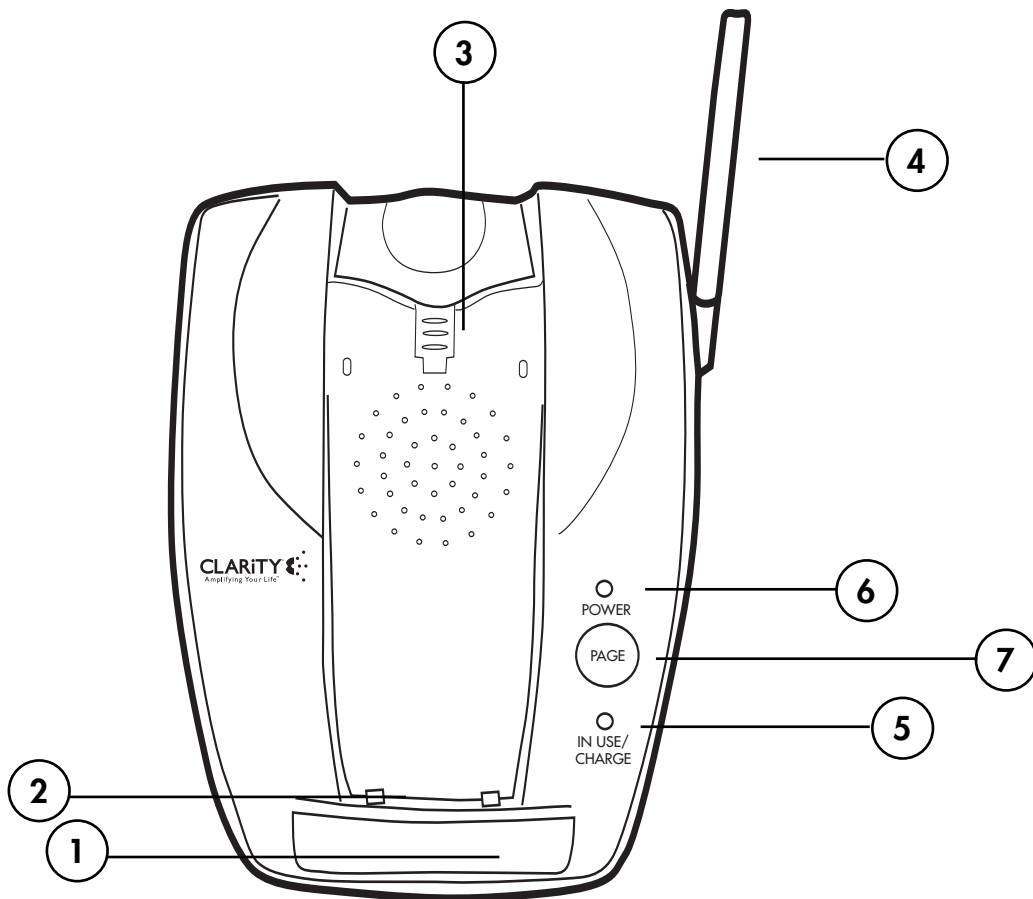




## Forma De Comenzar

### CARACTERÍSTICAS DEL C410

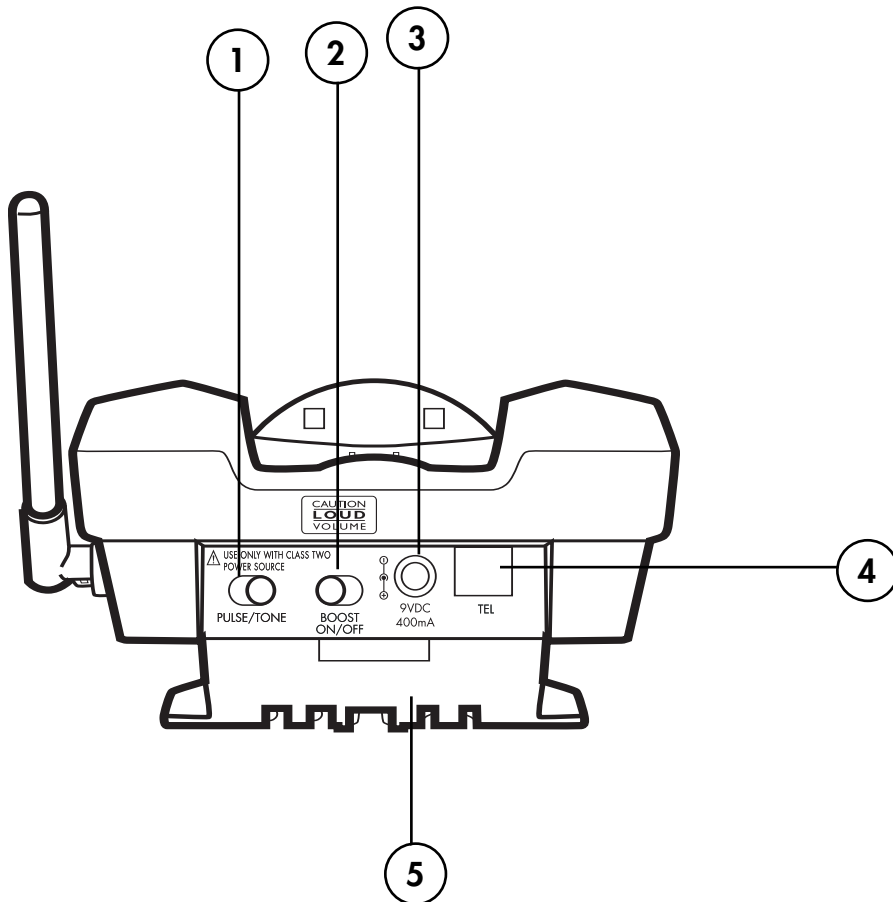
1. Timbre visual
2. Contactos para carga
3. Aleta del microteléfono
4. Antena de base
5. En uso/Carga LED (ROJO)
6. Corriente LED (VERDE)
7. Llamada [PAGE]



## Forma De Comenzar

### CARACTERÍSTICAS DEL C410

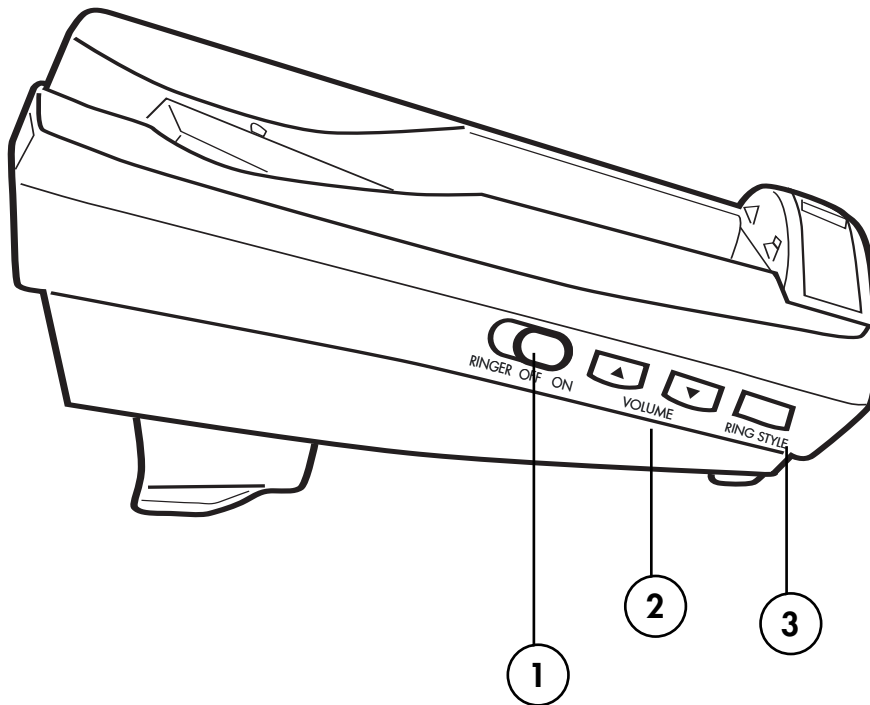
1. Pulsación/tonalidad
2. BOOST [REFORZAR] On/Off
3. Enchufe adaptador para CA
4. Enchufe para línea telefónica
5. Marco de montaje para mesa/pared



## Forma De Comenzar

### CARACTERÍSTICAS DEL C410

1. Timbre On/Off
2. Volumen Up/Down  
[Aumento/Reducción]
3. Estilo de timbre



## Forma De Comenzar

### FORMA DE CONECTAR SU TELÉFONO

1. Con cuidado extraiga de la caja su teléfono autónomo. Si hay algún daño visible no intente poner en operación este equipo. Devuélvalo a su lugar de compra.
2. Verifique que se dispone de todos los artículos que vienen con su teléfono C410. Usted debe tener un MICROTELÉFONO, UNIDAD DE BASE, ADAPTADOR DE CA, BATERIA, MARCO DE MONTAJE, CABLE TELEFÓNICO DE 6" Y 6', PRESILLA PARA CINTURÓN y MANUAL DEL PROPIETARIO.

Si en cualquier momento usted tiene preguntas acerca de su C410, por favor comuníquese con nuestro Departamento de Servicios a Clientes en:

**1-800-552-3368 ó 423-622-7793**

### ESCOGER UNA UBICACIÓN

1. Este teléfono requiere un enchufe para teléfono modular (RJ11) y un tomacorriente de 120 voltios.
2. Enchufar el adaptador de CA directamente en el tomacorriente.
3. No conecte otros dispositivos a este tomacorriente o controle el tomacorriente por interruptor de pared.
4. Escoja una ubicación alejada de actividades normales.

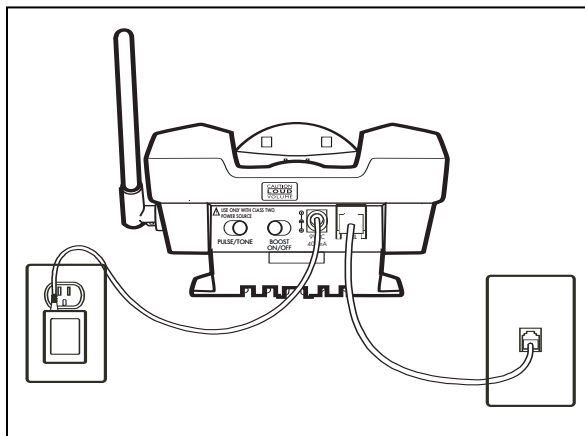
**PRECAUCIÓN: Siempre conecte el adaptador de CA al teléfono antes de conectarlo al suministro de CA. Cuando haya terminado, desconecte la CA antes de desconectarla del teléfono.**

## Forma De Comenzar

### INSTALACIÓN SOBRE UNA MESA

Siga estas instrucciones para colocar la base sobre una mesa empleando el marco suministrado.

1. Introduzca la aleta del marco en las ranuras superiores para aleta de la base en la dirección marcada como DESKTOP en el marco y presione hacia abajo las presillas e introdúzcalas en las ranuras para presillas.
2. Enchufe un extremo del cable suministrado para teléfono modular dentro del TEL jack [enchufe para teléfono] situado en la parte trasera de la base del teléfono.
3. Enchufe el otro extremo del cable para teléfono modular dentro del enchufe para teléfono modular.
4. Introduzca el adaptador de CA dentro del enchufe marcado DC9V 500mA situado en la parte posterior de la base del teléfono.
5. Encauce el cable del adaptador a través de la ranura estrecha del marco.
6. Conecte el adaptador en el tomacorriente estándar de corriente alterna.
7. Ponga la antena de base en posición vertical.
8. Colocar el interruptor TONE/PULSE situado en la parte posterior de la base en el modo correcto para hacer llamadas. Compruebe con su Compañía Telefónica Local si tiene dudas acerca del tipo de servicio disponible.
9. Coloque el microteléfono en su cuna para comenzar la carga inicial. Recuerde, hay que cargar el teléfono por lo menos durante 12 horas antes de usarlo por primera vez.

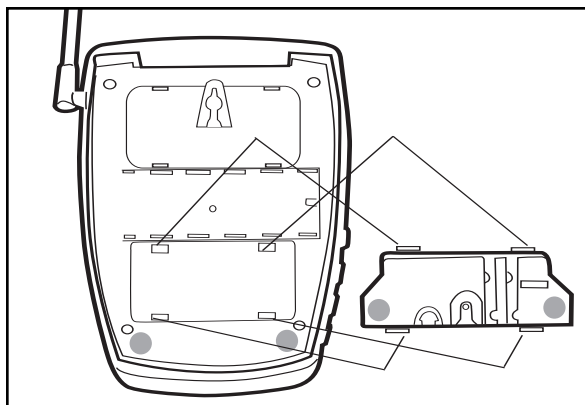


## Forma De Comenzar

### INSTRUCCIONES PARA MONTAJE EN UNA PARED

La base de la unidad se puede montar en un plato estándar de pared.

1. Con la parte trasera de la unidad apuntando hacia arriba, introduzca las aletas del marco de montaje suministrado dentro de las ranuras inferiores para aletas de la base en la dirección marcada WALL MOUNT [MONTAJE EN PARED] del marco de soporte y después presione hacia abajo las presillas e introdúzcalas en las ranuras para presillas.
2. Conecte un extremo del cable para teléfono modular suministrado dentro del enchufe TEL situado en la parte posterior de la base del teléfono.
3. Introduzca el enchufe del adaptador de CA dentro de la toma marcada DC9V 400mA situada en la parte posterior de la base del teléfono.
4. Encauce el cordón del adaptador a través de la ranura estrecha situada en la parte posterior del marco de montaje para asegurar el cordón.
5. Conecte el cable corto para teléfono modular dentro de la toma del plato de pared. Después hay que poner en línea las ranuras del marco de montaje con las espigas del plato de pared y deslizar hacia abajo la base del teléfono para asegurarlo en la pared.
6. Conecte el adaptador en el tomacorriente (eléctrico) estándar de CA.
7. Oprima y extraiga la aleta de sujeción del microteléfono. Déle vuelta de manera que el extremo de la aleta estrecha se prolongue y se introduzca en la ranura. De esta forma se mantendrá el microteléfono en la cuna cuando el teléfono se monte en una pared.
8. Levante la antena de la base a una posición vertical.
9. Ponga en el modo correcto para hacer llamadas el interruptor marcado TONE/PULSE que se encuentra en la parte posterior de la base. Comuníquese con su compañía Loca de Teléfonos si tiene dudas acerca del tipo de servicio.
10. Coloque el microteléfono en la cuna para comenzar la carga inicial. **Recuerde que hay que cargar el teléfono por lo menos 12 horas antes de hacer la primera llamada.**



## Forma De Comenzar

### Carga de baterías del microteléfono

La batería del microteléfono debe estar plenamente cargada durante 12 horas antes de usar el teléfono por primera vez.

1. Coloque el microteléfono en la base. La CHARGE LED en la base se iluminará en verde.
2. Después que las baterías estén plenamente cargadas, compruebe el tono de discar oprimiendo TALK en el microteléfono.
3. Cuando la batería del microteléfono está baja de carga, se producirán 2 bips cada 30 segundos y el botón de TALK destellará. Si a la batería se le reduce la carga mientras se está en una llamada, se producirá la desconexión después de unos dos (2) minutos. Finalice la llamada y cargue la batería.

Para recargar el grupo de baterías, coloque el microteléfono en la base. La unidad se puede cargar en la base, bien sea cara hacia abajo o cara hacia arriba. Si se carga en la posición de cara hacia arriba, habrá que retirar la presilla del cinturón para que el microteléfono haga contacto con los contactos de carga que se encuentran en la base.

1. Verifique el contacto entre los puntos de carga y que aparezca iluminado CHARGE LED.
2. Tenga cuidado de no poner en corto circuito la batería por medio de materiales conductores tales como anillos, brazaletes y llaves.

### DURACIÓN DE LA BATERÍA

Tiempo para conversación: 4 horas  
Standby [en espera]: 8 días sin darle uso

Los valores reales tendrán variantes según las regulaciones usadas en el amplificador.

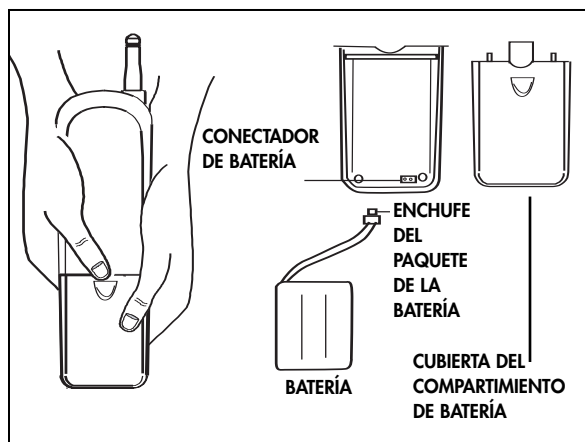
Reponga la batería cada dos (2) años.

### BATERÍAS DE REPUESTO

El C410 emplea una batería de 3.6Volt 600mAHr NiMH Rechargeable battery. GP60AAA3BMJZ, GPI International Ltd. 3SN-AAA60H-S-J1, Sanik Battery Co., Ltd

#### Para Instalar Las Baterías

1. Retire la cubierta de baterías.
2. Instale la batería.
3. Cierre la cubierta de baterías.
4. Darle una carga de 12 horas antes de usarlo por primera vez.



# Operación de su teléfono

## Características

### Tecnología Clarity Power™

Con la característica de Clarity Power, los sonidos de altas frecuencias se amplifican más que los sonidos de bajas frecuencias; de manera que las palabras simplemente no se escuchan de forma más alta, sino que más claras y fáciles de comprender.

### Botón ON/OFF de Boost Clarity Power

El C410 dispone de un botón de BOOST CLARITY POWER que controla la intensidad del sonido del receptor. Una vez que se oprime el botón BOOST CLARITY POWER, se añade un nivel adicional de amplificación sobre toda la gama del Control de Volumen. El estado de regulación para este botón, a falta de otro, es determinado por el interruptor de refuerzo [Boost switch] situado en la parte posterior de la unidad (ver más adelante). Durante una llamada, el botón de BOOST CLARITY POWER, puede activar o desactivar la función de Clarity Power según las necesidades del usuario.

El botón TALK [HABLAR] se encenderá en color **ANARANJADO** para indicar que la función de **CLARITY POWER** está en activo.

**ADVERTENCIA:** Cuando el botón TALK está encendido en color **ANARANJADO**, el volumen puede estar en un nivel alto. Para

proteger los oídos del usuario, baje el control del volumen al punto mínimo antes de usarlo.

### Control De Volumen

Este dispositivo controla el nivel de volumen recibido por el microteléfono y por los auriculares. El control de volumen aporta un volumen hasta de 15 dB antes de activarse el botón de CLARITY POWER. Una vez activado el botón de CLARITY POWER, el C410 proporcionará una ganancia hasta de 30 dB.

### Interruptor ON/OFF de Boost [Refuerzo]

Este interruptor inhabilitará la característica de reactivación del botón de BOOST CLARITY POWER en la forma siguiente:

**ON-** Cuando el interruptor de BOOST ON/OFF se pone en "ON", la función de refuerzo [Boost] se activará ON cada vez que se inicie una llamada y se quedará en ON cada vez que el teléfono quede colgado. Durante una llamada, el botón de BOOST CLARITY POWER puede activar o desactivar esta función de acuerdo con las necesidades del usuario.

**OFF-** Cuando el interruptor de BOOST ON/OFF se pone en "OFF", la función de refuerzo [Boost] (Clarity Power) estará en OFF [desactivada] cada vez que se inicie



# Operación de su teléfono

una llamada y el usuario necesita oprimir el botón de BOOST CLARITY POWER para ganar el nivel adicional de amplificación. Esta característica permitirá al usuario el realizar múltiples llamadas en rápida sucesión sin tener que oprimir el botón de BOOST al comienzo de cada llamada.

Si se cuelga el teléfono por lo menos durante 5 segundos, el Clarity Power se reactivará para OFF. Durante una llamada, el botón de BOOST CLARITY POWER puede activar y desactivar la función de Clarity Power de acuerdo con las necesidades del usuario.



**PRECAUCIÓN: EL VOLUME SERÁ RUIDOSO CUANDO EL INTERRUPTOR DEL ALZA SE FIJA A ENCENDIDO.**

## Controles Del Timbre

Los timbres y controles de los timbres se encuentran tanto en el microteléfono como en la base del C410.

## Timbre Del Microteléfono

Ponga el interruptor marcado RINGER ON/OFF situado en el costado del microteléfono. El interruptor debe ponerse en ON para que el microteléfono suene señalando la entrada de una llamada.

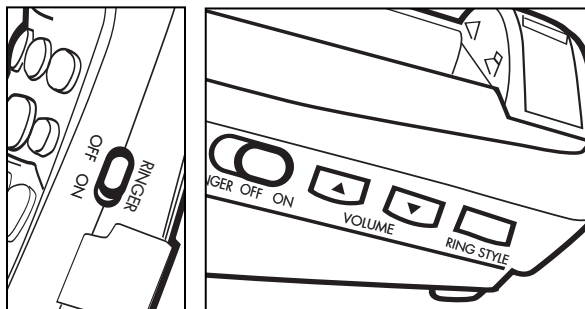
## Timbre De La Base

El timbre de la base incluye volumen y ajuste de estilo del timbre y está situado en el costado de la base del teléfono. Ajuste el volumen del timbre oprimiendo el interruptor de volumen hacia arriba o abajo hasta alcanzar el volumen deseado. El estilo del timbre o cadencia también puede ajustarse oprimiendo el botón de RING STYLE [ESTILO DE TIMBRE]. Hay disponible seis (6) estilos que permiten estilizar el sonido del timbre. El timbre sonará durante 2 segundos mientras se escoge el estilo para dar al usuario la oportunidad de seleccionar.

**NOTA: Si tanto el timbre del microteléfono como de la base se ponen en OFF, la señal visual destellará para indicar que está entrando una llamada.**

## Timbre Visual

Los timbres visuales se encuentran tanto en la antena del microteléfono como en la base del teléfono. Cuando está entrando una llamada, estas luces destellarán.



# Operación de su teléfono

## Conjunto De Auriculares/Enchufe De Honda De Cuello

Un enchufe de 2.5mm se encuentra situado en la parte superior del microteléfono y puede emplearse en conjunción con un juego de auriculares.

Estando en el modo de auriculares, el volumen está controlado por el teléfono. El mismo enchufe de 2.5mm se puede emplear para hondas de cuello en conjunción con un adaptador para el enchufe de 3.5 mm.

## Para Adquirir Un Juego De Auriculares

Dado el caso que usted desee adquirir un juego de auriculares para su C410, comuníquese con Plantronics en el 1-800-544-4660 para obtener la dirección del distribuidor más cercano. Recomendamos el uso del juego de auriculares Plantronics M110.

## Flash [Destello]

El botón de FLASH se activa para usar servicios de llamadas especiales tales como Call Waiting [Llamada en espera] o Three Way Calling [Conferencia entre tres personas}. Comuníquese con su compañía telefónica local para información acerca de estos servicios.

## Mute [Silencio]

El botón MUTE [silencio] permite al usuario sostener una conversación privada que no se desea que la escuche la persona en el otro extremo de la línea. Mientras que en el modo MUTE (silencio), el botón de la MUTE (silencio) convertirá en ROJO y el micrófono en el microteléfono es lisiado. Al oprimir nuevamente el botón de MUTE, se desactivará la función de MUTE (silencio).

## Repetición De Llamada/Pausa [Redial/Pause]

El número de la última llamada (hasta 32 dígitos) se guarda en la memoria de repetición de llamadas hasta que se llame a otro número.

### Para usar esta característica

1. Oprima el botón de TALK.
2. Cuando se oiga el tono de discar, oprima el botón RD/P.
3. El teléfono hará automáticamente la llamada para usted.

### Características de la pausa

Una pausa de cuatro (4) segundos puede insertarse dentro de los números para llamadas rápidas del teléfono. Oprima el botón RD/P en el punto requerido durante el almacenaje en memoria de un número.

# Operación de su teléfono

## Teclado Iluminado

El cojín dominante se encenderá por quince (15) segundos después de quitar de la base cuando hay una llamada entrante. Para reactivar esta voluntad de la característica adentro haga una pausa o en uso, presionan cualquier llave.

## Llamada Por Altavoz/Localizador De Microteléfono

Para enviar una señal de llamada desde la base a un microteléfono, oprima el botón PAGE situado en la base del teléfono. Se escuchará una serie de timbrazos procedente del microteléfono.

Para localizar el microteléfono si está lejos de la base, oprima y sostenga oprimido el botón de PAGE durante aproximadamente cinco (5) segundos. Se escuchará una serie de timbrazos durante aproximadamente sesenta (60) segundos. Devolver el microteléfono a la base u oprima el botón de TALK para cancelar la llamada [PAGE].

## Operación De 40 Canales

El teléfono autónomo C410, cuando se está usando, hace la búsqueda y selecciona del canal más claro entre sus 40 canales.

## Código De Seguridad

El código de seguridad evita que su teléfono sin cuerda sea accessed por un teléfono en una diversa línea. Una vez que la batería del microteléfono esté totalmente cargada, el microteléfono automáticamente seleccionará el código de entre más de 65,000 combinaciones. El código se cambia cada vez que el microteléfono se coloca en la cuna. Si se tiene problema para colocar o recibir llamadas, la causa del problema puede ser la pérdida de un código de seguridad. Cuando esto ocurre, el microteléfono no se puede comunicar con la base. Coloque el microteléfono en la base durante 5 a 10 segundos. Si esto no da resultados, desconecte el adaptador de CA del tomacorrientes de la pared. Desconecte la batería del microteléfono durante 5 a 10 segundos y vuelva a conectarla. Coloque el microteléfono nuevamente en la base y vuelva a instalar el adaptador de CA. Coloque nuevamente el microteléfono en la base y vuelva a introducir el adaptador de CA.

## Compatibilidad Con La Ayuda Para Oír

El microteléfono dispone en su interior de una bobina especial para acoplar el sonido a una ayuda para oír equipada con interruptores-T/bobinas-T.

# Operación de su teléfono

## ALMACENAJE DE MEMORIA

### Botones Para Almacenaje De Emergencia

Hay tres botones de emergencia situados en el microteléfono. Los botones de almacenaje pueden programarse con números compuestos hasta de 16 dígitos.

### Ubicaciones Para Almacenaje De Memoria

El C410 dispone en el teléfono (0-9) de 10 ubicaciones indirectas o dos ubicaciones por contacto para memoria que pueden programarse para discar números de uso frecuente con hasta 16 dígitos.

### Para Guardar Número En Memoria

1. Oprima el botón MEM.
2. Marque el número que se desee guardar.
3. Oprima nuevamente el botón MEM.
4. Indistintamente oprima el botón de emergencia o el número en el teclado de discar que se desee guardar.
5. Un largo sonido de bip indicará que el proceso de programación se ha completado. Durante el proceso de almacenaje en memoria, el botón de TALK destellará en VERDE. En el caso de una falla energética, la memoria se conserva por lo menos hasta seis (6) horas.

### Para Cambiar Un Número Guardado En Memoria

Sustituya un número guardado en memoria programando un nuevo número en su lugar.

### Para Borrar Un Número Guardado En Memoria

1. Oprima y suelte el botón de MEM.
2. Oprima la tecla \* una vez por cada dígito en el número que se desea borrar.
3. Oprima nuevamente el botón MEM.
4. Oprima el botón para la ubicación de memoria de donde se quiera eliminar el número.

# Operación de su teléfono

## FORMA DE HACER Y RECIBIR LLAMADAS TELEFÓNICAS

### Forma De Hacer Una Llamada Telefónica

1. Oprima el botón TALK (El botón TALK se iluminará)
2. Marque el número que se desea llamar.
3. Ajuste al nivel deseado el control giratorio del volumen.
4. Oprima el botón de BOOST CLARITY POWER (activar la tecnología de Clarity Power) para ganar el nivel adicional de amplificación, si se necesita.

Refiérase a **CLARITY POWER ON/OFF Y BOOST ON/OFF** para información adicional en controles de volumen).

### Para Marcar Un Número Desde Memoria

1. Oprima el botón de TALK.
2. Oprima el botón MEM.
3. Oprima el número en el teclado de discar donde el número deseado ha sido guardado.
4. La llamada se marcará automáticamente.
5. Ajuste el volumen y Clarity Power según sea necesario.

### Para Marcar Desde Una Ubicación De Almacenaje De Emergencia

1. Oprima el botón TALK.
2. Oprima el botón de emergencia deseado.

3. La llamada se marcará automáticamente.
4. Ajuste el volumen y el Clarity Power según sea necesario.

### Para usar un tono de servicio en una línea de pulsaciones

1. Marque el número que se desea llamar.
2. Cuando se reciba contestación a la llamada, oprima la tecla \*. Los números adicionales que se marquen son enviados como señales de tono.
3. Después de completar la llamada, oprima TALK o regrese el microteléfono a su base. El teléfono se reactivará automáticamente.

### Recepción de una llamada

#### Microteléfono En La Base Del Teléfono

1. Levante el microteléfono. No oprima TALK. Usted será conectado automáticamente.

#### Microteléfono Fuera De Base

1. Oprima el botón TALK.

### Forma De Terminar Una Llamada

Coloque el microteléfono en la cuna de la base u oprima el botón TALK para desconectar la línea.

# Localización de fallas

## La Unidad No Funciona/No Hay Tono De Discar

- Verifique si el botón TALK está encendido.
- Verifique el adaptador de la CA se tapa con seguridad en el enchufe de la corriente ALTERNA y el teléfono.
- Verifique que el cable telefónico esté debidamente conectado en el enchufe de la pared y en el teléfono.
- Cerciórese de que la antena se encuentre en posición vertical
- Cerciórese de que la batería del microteléfono esté totalmente cargada.
- Verifique que el teléfono está correctamente en el modo de discar, tono (tacto) o pulsación (giratorio).
- Cerciórese de que se encuentra dentro del área utilizable de la estación de base.
- Reactive el código de seguridad colocando el microteléfono en la base durante 5 ó 10 segundos.

## El Timbre Del Teléfono No Suena Cuando Se Recibe Una Llamada

- Esté seguro de que el interruptor de RINGER en el microteléfono y en la base están colocados en ON.
- Verifique que el adaptador de CA está correctamente conectado en la base y en el teléfono.
- Verifique que el cordón telefónico está correctamente conectado en el enchufe de pared y en el teléfono.
- Cerciórese que se encuentre dentro del área utilizable de la estación de base.
- Podría tener demasiadas extensiones en su línea. Trate de desconectar algunos dispositivos.

## Ruido, Estática, Interferencia u Otras Llamadas Que Se Escuchan mientras Se Usa El Microteléfono

- Trate de cambiar canales.
- Cerciórese de que la antena está en posición vertical.
- Cerciórese que se encuentra dentro del área utilizable de la estación de base.
- Cerciórese que la batería del microteléfono esté totalmente cargada.

## Localización de fallas

- Trate de relocalizar la unidad de base en otra ubicación.
- Cerciórese que el adaptador de CA no está conectado con otros dispositivos en el tomacorrientes de pared.

### El Teléfono No Retiene La Carga

- Cerciórese que los contactos de carga del microteléfono y de la base están libres de polvo y suciedad.
- Limpie los contactos con una tela suave.
- Cerciórese de que CHARGE LED de la base está encendido cuando el microteléfono está en la cuna.
- Si es necesario, sustituya la batería del microteléfono. (Vea Carga de la batería del microteléfono)

(Ver la sección acerca del Código de Seguridad).

- Cerciorarse que se haya seleccionado el modo correcto de marcar, tono o pulsación.
- Cerciorarse que el adaptador de CA no esté conectado al tomacorrientes de pared con otros dispositivos.
- Desconecte durante 5 a 10 segundos y vuelva a conectar. Coloque el microteléfono nuevamente en la base y vuelva a instalar el adaptador de CA.
- Esté seguro que la batería del microteléfono está totalmente cargada.

### Dificultad Para Hacer o Recibir Llamadas

- Acercarse a la base y tratar nuevamente.
- Si el acercarse a la base no da resultado, se puede haber perdido el código de seguridad.
- Reactive el código colocando nuevamente el microteléfono en la base durante 5 ó 10 segundos

# Normas y Regulaciones de la Comisión Federal de Comunicaciones [FCC]

## Información de la Parte 68 de la FCC

Este equipo cumple con las normas y requisitos de la Parte 68 de la FCC adoptada por ACTA. El rótulo de la Parte 68 de la FCC está situado en la UNIDAD DE BASE del teléfono. Este rótulo contiene, entre otra información, un identificador del producto en el formato US:AAAEQ##TXXXX. Si se solicita, esta información debe suministrarse a su compañía telefónica.

La conexión a la red debe hacerse empleando enchufes telefónicos modulares estándar, USOC tipo RJ11C. El enchufe y/o tomas empleados deben cumplir las Normas y Regulaciones FCC Parte 68 y los requisitos adoptados por la ACTA.

El REN es útil para determinar la cantidad de dispositivos que se pueden conectar a su línea telefónica y todavía permitir que estos dispositivos suenen su timbre cuando se llame a su número de teléfono. Excesivo número de RENS en una línea telefónica pueden dar por resultado que algunos dispositivos no suenen sus timbres en respuesta a entradas de llamadas. En la mayoría de las áreas, pero no en todas, la suma de los RENS para todos los dispositivos que se podrían conectar en su línea, no deben exceder cinco (5.0). Para estar seguros del número de dispositivos que se pueden conectar a su línea, comuníquese con su compañía telefónica local. El REN para este producto es parte del identificador del producto que tiene el formato US:AAAEQ##TXXXX. Los dígitos representados por ## son el REN sin punto decimal.

Si este equipo telefónico, el teléfono Clarity C410 ocasiona daños a la red telefónica, la compañía de teléfonos le notificará anticipadamente que puede ser necesario discontinuar

temporalmente el servicio. Pero si el aviso anticipado no fuera práctico, la compañía telefónica notificará al cliente a la mayor brevedad posible. Igualmente, usted quedará advertido acerca de sus derecho a presentar una queja ante la FCC si usted lo cree necesario.

La compañía telefónica podrá efectuar cambios en sus instalaciones, equipos, operaciones o procedimientos que podrían afectar el funcionamiento correcto de su equipo; si lo hacen, se le notificará anticipadamente con el fin de que usted haga las modificaciones necesarias para mantener un servicio ininterrumpido.

Si se han experimentado problemas con esta unidad, para información acerca de reparaciones o garantía, comuníquese con el departamento de servicios al cliente en el número indicado en la sección de Garantía. Si el equipo está ocasionando problemas en la red la compañía telefónica podría pedirle que desconecte el equipo hasta haber resuelto el problema.

## **NO DESARME ESTE EQUIPO. No contiene componentes utilizables por el usuario.**

La conexión a líneas compartidas o líneas comunes está sujeto a tarifas. Comuníquese con la comisión estatal de instalaciones de servicio público, la comisión de servicios públicos, o la comisión corporativa para obtener la información necesaria.

Si su casa tiene equipos de alarma con alambrado especial conectado a la línea telefónica, asegúrese que la instalación de este equipo no incapacita el equipo de alarmas consultando con su compañía telefónica o con un instalador calificado.



# Normas y Regulaciones de la Comisión Federal de Comunicaciones [FCC]

## Este equipo es compatible con las ayudas para oír.

Recomendamos la instalación de un disipador de sobretensiones de CA en la salida de CA en que se encuentre conectado este equipo. Las compañías telefónicas informan que las sobretensiones eléctricas, típicamente los rayos, son muy destructivas para los equipos de clientes conectados a suministros energéticos de CA.

## Información Acerca de la Parte 15 de las Reglas Sobre Interferencias de la FCC

Este dispositivo cumple lo dispuesto en la parte 15 de las Reglas de la FCC. La operación está sujeta a las dos condiciones que siguen: (1) Este dispositivo no puede ocasionar interferencias dañinas y (2) este dispositivo debe aceptar cualquier interferencia recibida, incluyendo interferencia que puedan ocasionar la operación indeseable.

Su C410 ha sido comprobado y se ha encontrado que cumple con las limitaciones para un dispositivo de la Clase B digital, en lo referente a la Parte 15 de las regulaciones FCC. Estas limitaciones están diseñadas para proporcionar una protección razonable contra interferencias dañinas en instalaciones residenciales.

Este equipo genera, utiliza y puede irradiar energía de radio frecuencia y, si no se instala y utiliza de acuerdo con las instrucciones del caso, puede ocasionar interferencia dañina a las comunicaciones radiales. Sin embargo, no hay garantía de que no se produzca interferencia en una instalación determinada; si este equipo ocasiona interferencias dañinas a la recepción

de radio o televisión, lo cual puede determinarse activando y desactivando el equipo, se recomienda que trate de corregir la interferencia por medio de una de las medidas siguientes:

1. Donde puede hacerse con seguridad, reoriente la antena receptora de televisión o de radio.
2. Hasta donde sea posible, realice el televisor, radio u otro receptor con respecto al equipo telefónico. (Esto aumenta la separación entre el equipo telefónico y el receptor.).
3. Conecte el equipo telefónico a una salida o circuito diferente al que esté conectado la televisión, radio u otro receptor.
4. Consulte con el distribuidor o solicite ayuda de un técnico experimentado en radio/TV.

**PRECAUCIÓN:** Cambios o modificaciones que no estén expresamente aprobadas por el fabricante responsable del cumplimiento, podrían invalidar la autoridad del usuario para operar este equipo.

LA ENTIDAD RESPONSABLE POR LA CONFORMIDAD DEL PRODUCTO  
Clarity, una División de Plantronics, Inc.  
4289 Bonny Oaks Drive, Suite 106,  
Chattanooga, TN 37406  
Teléfono: 800.552.3368

# Garantía Y Servicio

La información que sigue, acerca de garantía y servicio aplica solamente a productos adquiridos y usados en los Estados Unidos y Canadá. Para información sobre garantía en otros países, comuníquese con su distribuidor local.

## Garantía Limitada

Clarity, una división de Plantronics, Inc. ("Clarity") garantiza al comprador original que, excepto por las limitaciones y exclusiones establecidas más adelante, este producto estará libre de defectos en materiales y mano de obra durante un período de un (1) año a partir de la fecha de compra original ("Período de Garantía"). La obligación de Clarity bajo esta garantía será a opción de Clarity, sin cargos, por cualquier pieza o unidad que se pruebe estar defectuosa en los materiales o mano de obra durante el período de garantía.

## Exclusiones De La Garantía

Esta garantía aplica solamente a defectos en materiales de fábrica y mano de obra de fábrica. Cualquier situación provocada por accidente, abuso, mal uso u operación incorrecta, violación de las instrucciones suministradas por Clarity, destrucción o alteración, voltajes eléctricos incorrectos o corriente, o intentos de reparación o mantenimiento realizada por cualquiera que no sea Clarity o un centro de servicio autorizado, no es defecto cubierto por esta garantía. Las compañías telefónicas fabrican

distintos tipos de equipos y Clarity no garantiza que sus equipos sea compatible con el equipo de una compañía telefónica en particular.

## Garantía Implícita

Por leyes del estado, usted podría tener derecho a los beneficios de ciertas garantías implícitas. Estas garantías permanecerán vigentes solamente durante el período de garantía. Algunos estados permiten limitaciones en cuanto a la duración de garantías implícitas. Puede que la limitación anterior no le aplique a usted.

## Daños Incidentales o Emergentes

Ni Clarity ni su distribuidor o distribuidor de ventas tiene responsabilidad alguna para daños incidentales o emergentes, incluyendo y sin limitaciones por pérdidas comerciales o utilidades, o por cualquier gasto incidental, gastos, pérdida de tiempo o inconveniencias. Algunos estados no permiten exclusiones o limitaciones en daños incidentales o emergentes. Puede que las limitaciones o exclusiones no le apliquen a usted.

## Otros Derechos Legales

Esta garantía le ofrece derechos legales específicos y usted podría también tener otros derechos que varían de un estado a otro.

# Garantía Y Servicio

## Forma De Obtener El Servicio Por Garantía

Para obtener el servicio por garantía, embarque la unidad con flete previamente pagado para envío y devolución a las instalaciones apropiadas que se indican a continuación.

## En los Estados Unidos

Clarity Service Center  
4289 Bonny Oaks Drive, Suite 106  
Chattanooga, Tennessee 37406  
Tel. (423) 629-3500  
(800) 552-3368  
Fax. (423) 622-7646  
(800) 325-8871

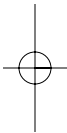
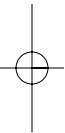
## En Canadá

Plantronics Service Center  
8112 Trans Canada Highway  
Ville Saint-Laurent  
Quebec H4S 1M5  
Tel: (800) 540-8363  
(514) 956-8363  
Fax: (514) 956-1825

Por favor utilice el envase original, o empaquete la(s) unidad(es) en un cartón fuerte con suficiente material de relleno para evitar daños. Incluya la información siguiente:

1. Una prueba de compra que indique el número del modelo y la fecha de compra.
2. Dirección para facturar.
3. Dirección para hacer el embarque.
4. Número y descripción de las unidades embarcadas.
5. Nombre y número telefónico de la persona a quien llamar, si hiciera falta comunicarse con alguien.
6. Razón para la devolución y descripción del problema.

Daños a resultados del embarque se consideran responsabilidad del transportista y las reclamaciones deben hacerse directamente al transportista.



# Téléphone sans fil 900 MHz, avec technologie Clarity® Power™

## Modèle C410 – Manuel d'Instructions



**CLARITY**  
Amplifying Your Life™

F  
R  
A  
N  
Ç  
A  
I  
S

# Table des Matières

<b>Mesures de Sécurité</b> .....	.55
<b>Pour Commencer</b> .....	.58
Caractéristiques C410 .....	.58
Connecter votre téléphone .....	.62
Choisir un emplacement .....	.62
Installation sur le bureau .....	.63
Installation sur le mur .....	.64
Chargement de la pile de l'écouteur-parleur combiné ..	.65
<b>Opération de Votre Téléphone</b> .....	.66
Caractéristiques .....	.66
Mémoire .....	.70
Appeler et recevoir des appels .....	.71
<b>Dépistage Des Erreurs</b> .....	.72
<b>Exigences et Règlements de la FCC</b> .....	.74
<b>Garantie et Service Client</b> .....	.76

## Importantes Mesures de Sécurité

En utilisant votre équipement de téléphone, des mesures de sécurité de base devraient toujours être suivies pour ramener le risque du feu, décharge et injury électriques aux personnes, y compris ce qui suit:

1. Lisez et comprenez toutes les instructions.
2. Suivez tous les avertissements et instructions inscrits sur l'appareil.
3. N'utilisez pas ce téléphone près d'une baignoire, d'un lavoir, évier de cuisine ou d'une lessiveuse, dans une cave mouillée, près d'une piscine ou là où il y a de l'eau.
4. Evitez d'utiliser un téléphone (autre qu'un combiné sans fil) pendant un orage. Un certain risque d'électrocution par éclair existe dans ce cas.
5. N'utilisez pas le téléphone pour signaler une fuite de gaz à proximité de cette fuite.
6. Débranchez ce téléphone de la prise de courant avant de le nettoyer. Ne vous servez pas de produits de nettoyage liquides ou par aérosol pour nettoyer le téléphone. Servez-vous d'un tissu humide.
7. Placez ce téléphone sur une surface stable. Une chute risque de sérieusement endommager l'appareil ou de vous blesser.
8. Ne couvrez pas les fentes et ouvertures dans ce téléphone. Ne placez le téléphone ni près ni audessus d'un radiateur ou registre de chauffage. N'installez pas ce téléphone dans un meuble ou cabinet fermé à moins qu'une ventilation adéquate ne soit assurée.
9. Utilisez ce téléphone à la tension indiquée sur l'unité de base ou dans le manuel d'instructions. Si vous n'êtes pas certain de la tension chez vous, consultez votre vendeur ou votre fournisseur d'électricité.
10. Ne placez rien sur le fil électrique. Installez le téléphone là où personne ne marchera ou risquerait de trébucher sur le fil.
11. Ne surchargez pas les prises de courant ou les rallonges pour éviter un risque d'incendie ou de choc électrique.
12. N'insérez jamais un objet dans les fentes de l'appareil. Ils risquent de toucher des points sous tension dangereux ou de court-circuiter des éléments, risquant ainsi un incendie ou un choc électrique. Ne renversez aucun liquide sur le téléphone.
13. Pour éviter tout risque de choc électrique, ne démontez pas ce téléphone. En ouvrant ou en retirant des couvercles vous vous exposez à des tensions dangereuses et autres risques. Un remontage défectueux risque de conduire à un choc électrique lors de la prochaine utilisation.
14. Débranchez cet appareil de la prise de courant et adressez-vous au fabricant pour tout service dans les situations suivantes:
  - A. Lorsque le câble électrique ou la fiche est effilochée ou endommagée.
  - B. Lorsqu'un liquide a été renversé sur l'appareil.
  - C. Si le téléphone a été exposé à la pluie ou à l'eau.
  - D. Si le téléphone ne fonctionne pas normalement bien que vous ayez suivi les instructions. Ne réglez que les commandes couvertes par ce manuel. Un réglage incorrect peut nécessiter un des réparations considérables par un technicien qualifié pour remettre le téléphone en état de fonctionnement normal.
  - E. Si le téléphone est tombé par terre ou si le boîtier est endommagé.
  - F. S'il la performance du téléphone est nettement amoindrie.
15. N'installez jamais les fils du téléphone pendant un orage avec éclairs.
16. N'installez jamais des joncteurs dans un endroit mouillé à moins que le joncteur ne soit conçu spécialement pour emplacements mouillés.
17. Ne touchez jamais les lignes de téléphone ou les terminaux sans isolation à moins que la ligne de téléphone n'ait été débranchée à l'interface du réseau.
18. Prenez toutes les précautions nécessaires pour installer ou modifier des lignes téléphoniques.
19. Utilisez seulement le cordon et les batteries de secteur indiqués en ce manuel. Ne vous débarrassez pas des batteries dans un feu. Elles peuvent éclater. Vérifiez avec des codes locaux les instructions spéciales possibles de disposition.
20. Branchez l'adaptateur à C.A. à la sortie qui est le plus près et la plus accessible au téléphone.

**GARDEZ CES INSTRUCTIONS**

## Mesures De Securite Pour Piles

**Attention:** Danger d'explosion si la batterie est inexactement remplacée. Remplacez seulement par la même chose ou le type équivalant recom mandé par fabrication de teh. Débarassez-vous des batteries acoording aux instructions du fabricant de teh.

1. N'utilisez que l'ensemble de piles approuvé dans le combiné de votre téléphone.

**For Handset Unit:** 3.6 V 600mAHr  
NiMH Rechargeable Battery  
GP60AAAH3BMJZ  
GPI International Ltd  
3SN-AAA60H-SJ1  
Sanik Battery Co., Ltd.

2. Ne jetez pas de piles dans le feu car elles risquent d'exploser. Renseig nez-vous sur les règlements locaux régissant la mise au rebut.
3. N'ouvrez pas les piles, ne les mutilez pas. Un électrolyte qui s'échappe est corrosif et risque de brûler les yeux ou la peau. Il peut être toxique s'il est avalé.

4. Prenez soin en maniant les piles pour ne pas les court-circuiter avec des objets conducteurs tels que bagues, bracelets ou clés. La pile ou l'objet conducteur peut surchauffer et vous brûler.
5. Ne chargez la pile ou les piles qui vous sont fournies ou qui sont indiquées pour ce produit que conformément aux instructions et limitations spécifiées dans ce manuel.
6. Respectez la bonne orientation des pôles entre l'ensemble de piles et le chargeur de piles.



## Mesures De Securite Importantes

Les exigences CS-03 comprennent les points suivants. Le code de l'arrangement de connexion standard pour l'équipement est CA11A. Ce produit répond aux caractéristiques techniques du Canada d'industrie applicable.

**NOTA:** L'étiquette du Département Canadien de Communication identifie les équipements certifiés. Cette certification indique que le matériel est conforme à certaines exigences protectrices de fonctionnement et de sécurité pour réseaux de télécommunication. Le Département n'offre aucune garantie sur le fonctionnement à la satisfaction de l'utilisateur. Avant d'installer ce matériel, l'utilisateur devrait s'assurer qu'il est permis de le connecter aux installations de la société de télécommunication locale. L'équipement est également à installer selon une méthode acceptable de connexion. En certains cas le câblage interne prévu par la compagnie pour une seule ligne individuelle peut être allongé au moyen d'un ensemble de connexion certifié (rallonge téléphonique). Le client doit accepter que le remplissage des conditions énoncées ci-dessus puisse ne pas empêcher la détérioration de service dans certaines situations. Toute réparation de matériel certifié doit être effectuée par une entreprise canadienne certifiée d'entretien, désignée par le fournisseur. A la suite de toute réparation ou de toute altération effectuée par l'utilisateur sur ce matériel ou défaillance de matériel, il se peut que la

société de télécommunication demande que l'utilisateur de débrancher le matériel.

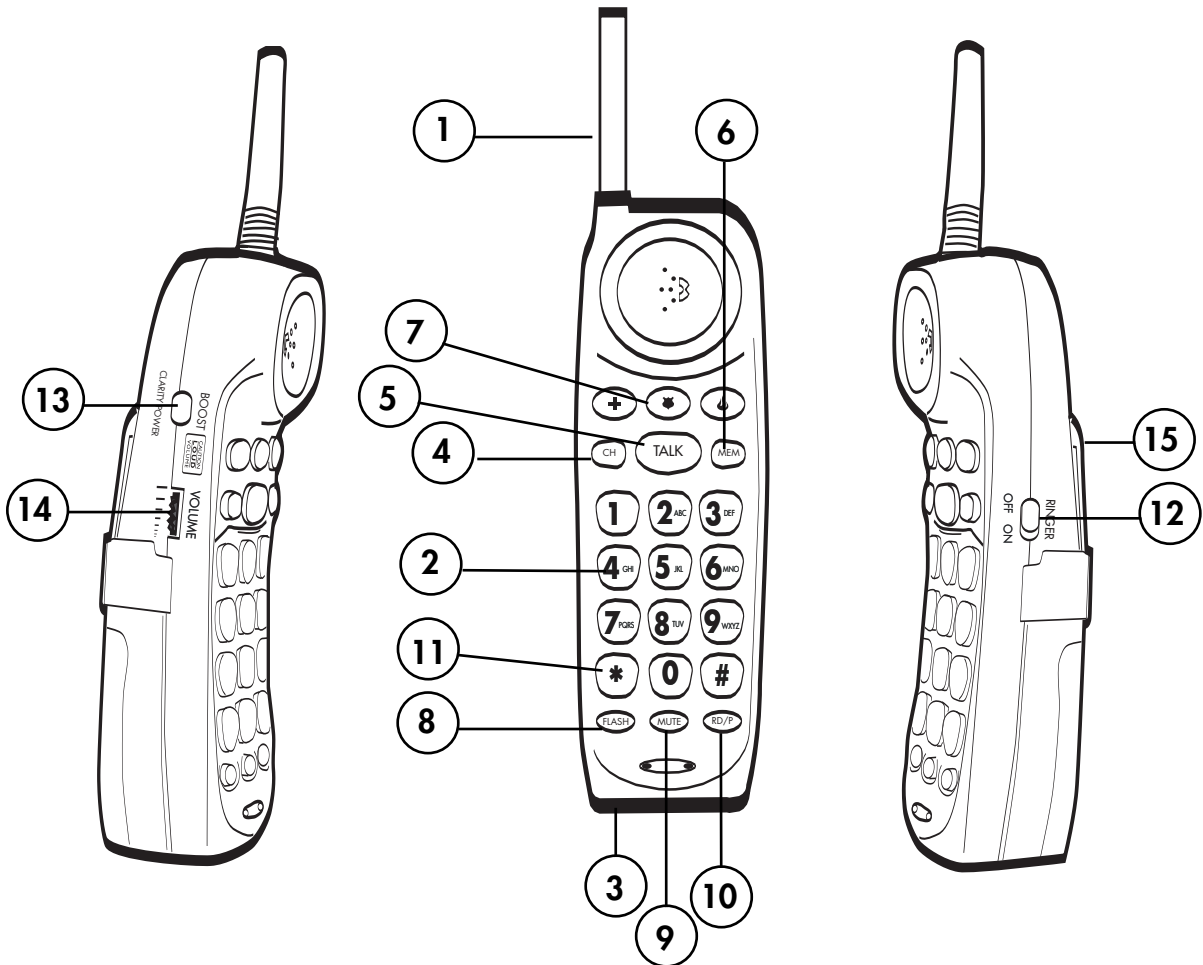
Pour sa propre protection, l'utilisateur doit s'assurer que les connexions de mise à terre du fournisseur d'énergie, les lignes téléphoniques et le système interne de tuyaux à eau métalliques, s'il y a lieu, sont interconnectés. Cette précaution est tout spécialement importante dans les régions rurales. Attention: Les utilisateurs ne doivent pas tenter d'établir eux-mêmes ces connexions mais doivent contacter une agence d'inspection électrique appropriée ou un électricien approprié. Le nombre équivalent de sonnerie est une indication du nombre maximum des terminaux permis d'être relié à une interface de téléphone. L'arrêt sur une interface peut se composer de n'importe quel combinaison de sujet de dispositifs seulement à la condition que somme de teh du nombre d'Equivalent de sonnerie de teh de tous les dispositifs ne pas excéder cinq.

**GARDEZ CES INSTRUCTIONS**

## Pour Commencer

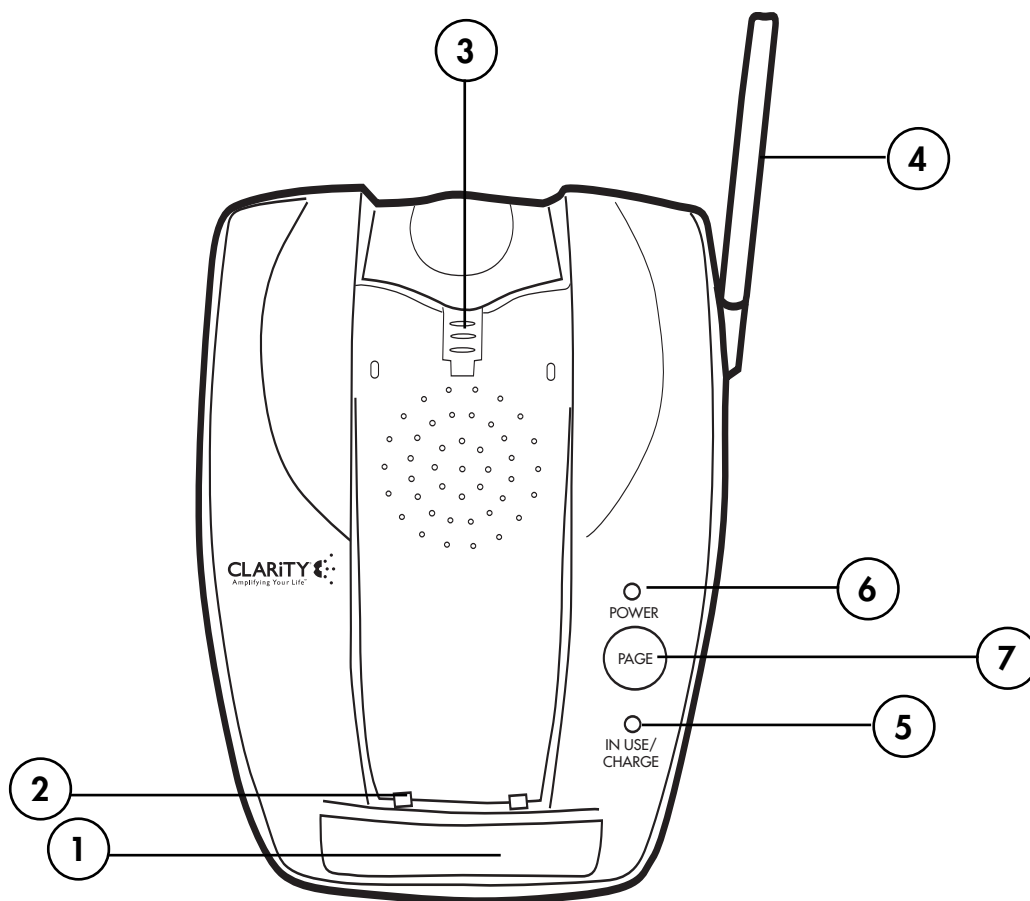
### Caractéristiques C410

1. Antenne/Alarme visuelle de l'écouteur-parleur combiné
2. Garniture de cadran
3. Contacts de charge
4. Bouton de canal (CH)
5. Bouton pour parler (TALK)
6. Bouton de mémoire (MEM)
7. Boutons d'urgence de mise en mémoire
8. Bouton clignotant (FLASH)
9. Bouton sourdine (MUTE)
10. Bouton pour recomposer/pause (RD/P)
11. Bouton de ton temporaire (\*)
12. Sonnerie Marche/Arrêt
13. Clarté Marche/Arrêt
14. Volume
15. Attache de ceinture



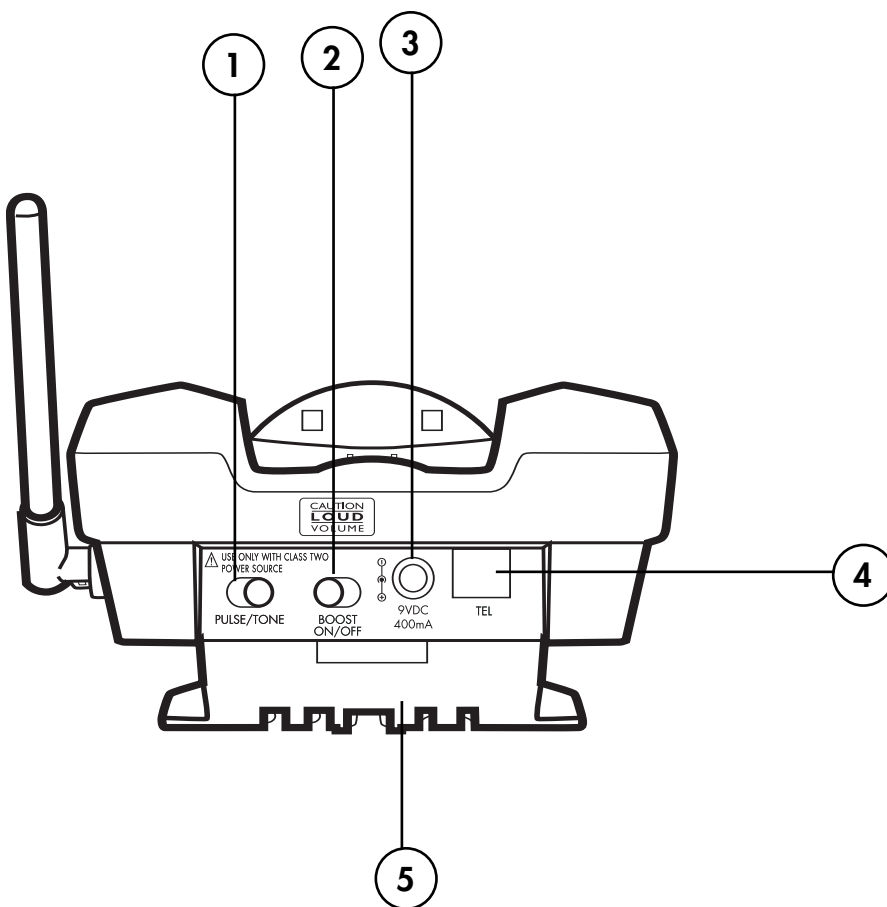
## Pour Commencer

1. Alarme visuelle
2. Contacts de charge
3. Fiche de l'écouteur-parleur combiné
4. Antenne de base
5. DEL (ROUGE) : en marche/en charge
6. DEL indicatrice de courant (VERT)
7. Service d'appel individuel



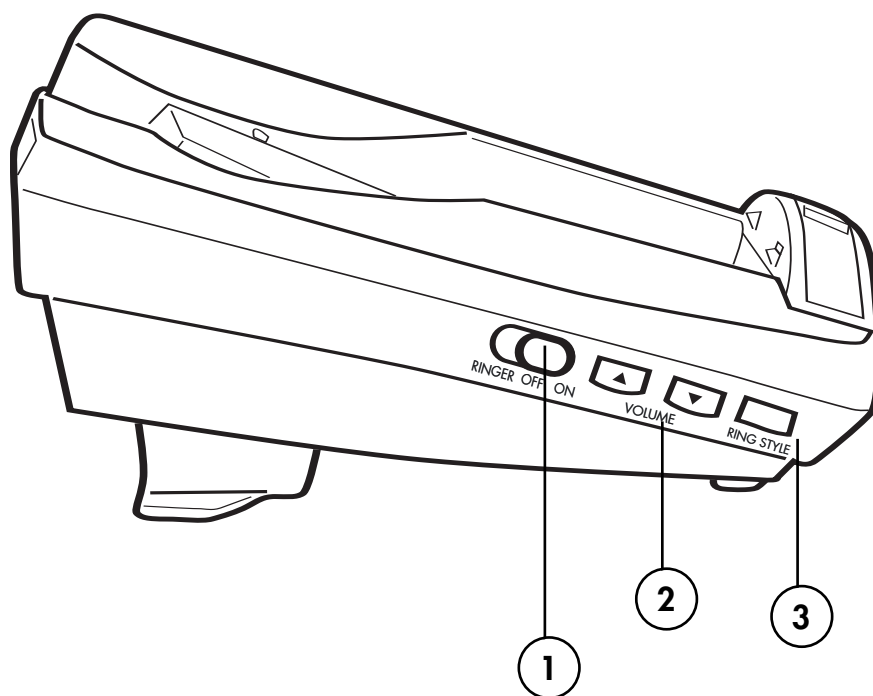
## Pour Commencer

1. Pulsation/Ton
2. BOOST (amplification) marche/arrêt (ON/OFF)
3. Conjoncteur adaptateur pour courant alternatif
4. Conjoncteur pour ligne téléphonique
5. Console pour installation sur bureau ou mur



## Pour Commencer

1. Sonnerie Marche/Arrêt (ON/OFF)
2. Volume Plus fort/moins fort
3. Style de sonnerie



## Pour Commencer

### POUR CONNECTER VOTRE TÉLÉPHONE

Retirez votre écouteur-parleur combiné doucement de sa boîte. En cas de tout dommage visible, n'essayez pas de faire fonctionner cet équipement. Retournez-le au magasin où vous l'avez acheté.

Assurez-vous de la présence de tous les éléments fournis avec votre téléphone C410. Vous devriez avoir: UN ECOUTEUR-PARLEUR COMBINE, UNE UNITE DE BASE, UN ADAPTATEUR POUR COURANT ALTERNATIF, BATTERIE, UNE CONSOLE D'INSTALLATION, FILS TELEPHONIQUE DE 6" ET DE 6', UNE ATTACHE POUR CEINTURE et LE MANUEL DE L'UTILISATEUR.

Pour toute question concernant votre W42, veuillez contacter notre Service Client au numéro:

**1-800-552-3368 ou 423-622-7793.**

### CHOISIR UN EMPLACEMENT

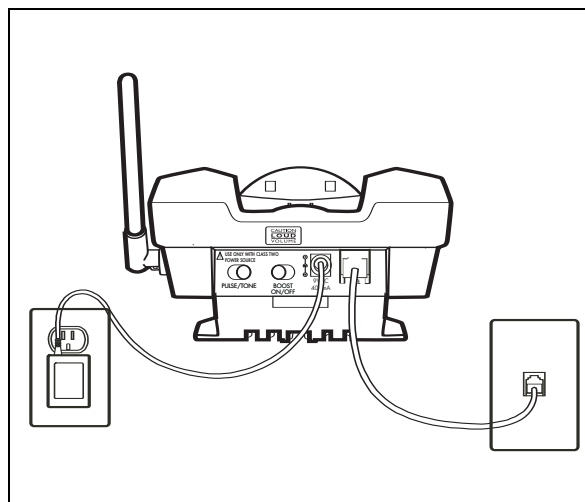
1. Pour ce téléphone un joncteur de téléphone modulaire (RJ11) et une prise de courant standard de 120V sont nécessaires.
2. Branchez l'adaptateur pour courant alternatif directement sur la prise de courant.
3. Ne branchez pas d'autres appareils sur la prise et ne soumettez pas la prise au contrôle par interrupteur sur le mur.
4. Choisissez un emplacement à l'écart des activités normales.

**ATTENTION: Connectez toujours l'adaptateur courant alternatif au téléphone avant de le brancher sur la source de courant alternatif. Pour débrancher, déconnectez d'abord le courant alternatif avant de déconnecter le téléphone.**

## Pour Commencer

### INSTALLATION SUR BUREAU

1. Suivez les instructions suivantes pour placer la base sur un bureau ou le dessus d'une table en utilisant les consoles fournies.
2. Insérez la languette de la console dans les fentes pour languettes dans la partie supérieure de la base en direction DESKTOP marquée sur la console, et appuyez vers le bas sur les attaches de la console pour les insérer dans les fentes pour attaches.
3. Branchez un bout du fil de la ligne téléphonique modulaire fournie dans le connecteur téléphonique fourni qui se trouve à l'arrière de la base du téléphone.
4. Branchez l'autre bout du fil dans le connecteur de téléphone modulaire.
5. Insérez la fiche de l'adaptateur courant alternative fournie dans le connecteur marqué DC 9V 500mA à l'arrière de la base du téléphone.
6. Faites passer le fil de l'adaptateur par la rainure étroite sur la console.
7. Insérez l'adaptateur dans une prise de courant alternative standard.
8. Levez l'antenne de la base en position verticale.
9. Mettez le commutateur à l'arrière de la base sur TONE ou PULSE pour choisir le mode de composition qui convient. Renseignez-vous auprès de votre compagnie de téléphone locale si vous n'êtes pas certain du genre de service que vous avez. Placez l'écouteur dans son support pour la charge initiale. **N'oubliez pas qu'il faut charger le téléphone pendant au moins 12 heures avant de l'utiliser pour la première fois.**

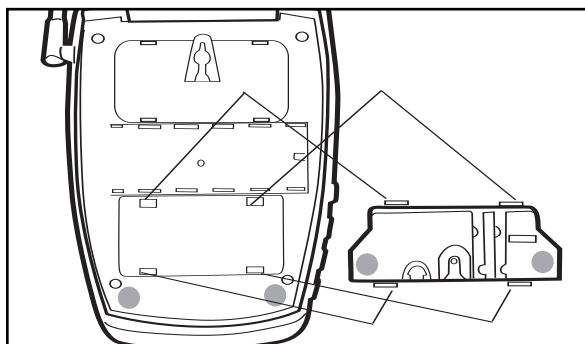


## Pour Commencer

### INSTRUCTIONS POUR L'INSTALLATION AU MUR

Vous pouvez également installer l'unité de base sur une plaque murale standard.

1. Avec le dos de l'unité vers le haut, insérez les languettes de la console d'installation fournies dans les fentes inférieures de la base pour languettes, dans la direction des mots WALL MOUNT sur la console. Appuyez ensuite sur les attaches de la console pour les insérer dans les fentes pour attaches.
2. Insérez un bout du fil téléphonique court fourni dans le conjoncteur téléphonique situé à l'arrière de la base du téléphone.
3. Insérez la fiche de l'adaptateur courant alternatif dans le conjoncteur marqué DC 9V 400mA situé à l'arrière de la base du téléphone.
4. Faites passer le cordon de l'adaptateur par la rainure étroite située à l'arrière de la console d'installation pour fixer le cordon.
5. Insérez le fil plus court du téléphone modulaire dans le conjoncteur de la plaque murale et alignez les fentes en trou de serrure de la console d'installation avec les tenons de la plaque murale et glissez la base du téléphone vers le bas pour l'attacher au mur.
6. Branchez l'adaptateur dans une prise de courant alternatif standard.
7. Appuyez sur la languette de retenue de l'écouteur-parleur et sortez-la, retournez-la de façon à faire projeter le bout étroit de la languette en dehors et remettez-la dans sa fente. Ceci retient l'écouteur dans son support lorsque le téléphone est installé sur le mur.
8. Soulevez l'antenne de la base en position verticale.
9. Mettez le commutateur à l'arrière de la base sur TONE ou PULSE pour choisir le mode de composition qui convient. Renseignez-vous auprès de votre compagnie de téléphone locale si vous n'êtes pas certain du type de votre service.
10. Placez l'écouteur dans son support pour la charge initiale. **N'oubliez pas qu'il faut charger le téléphone pendant au moins 12 heures avant de l'utiliser pour la première fois.**





## Pour Commencer

### CHARGEMENT DE LA PILE DE L'ÉCOUTEUR-PARLEUR COMBINÉ

Il est nécessaire de charger la pile de l'écouteur-parleur combiné pendant 12 heures avant de l'utiliser pour la première fois.

1. Placez l'écouteur-parleur combiné dans son support. Le DEL vert de charge s'allume.
2. Lorsque les piles sont entièrement chargées, vérifiez la tonalité d'envoi en appuyant sur TALK (parlez) sur l'écouteur-parleur combiné.
3. Lorsque la charge de la pile de l'appareil baisse, 2 bîpes sont émis toutes les 30 secondes et le bouton TALK clignote. Si la pile se décharge en cours de communication vous serez déconnecté au bout d'environ deux (2) minutes. Terminez la conversation et rechargez la pile.

Pour recharger l'ensemble pile, placez l'écouteur-parleur combiné dans son support. L'appareil peut se charger dans l'unité de base tournée face en bas ou vers le haut. Dans la position face vers le haut, l'attache de ceinture doit être enlevée pour que l'écouteur-parleur combiné puisse établir le contact de charge dans la base.

1. Assurez-vous que les points de contact touchent et que le DEL de charge est allumé.
2. Prenez soin de ne pas court-circuiter

la pile avec un objet conducteur, tel que bague, bracelet ou clé.

### VIE DE LA PILE

En communication: 4 heures

Au repos: 8 jours sans utilisation

La vie réelle varie selon le réglage de l'amplificateur.

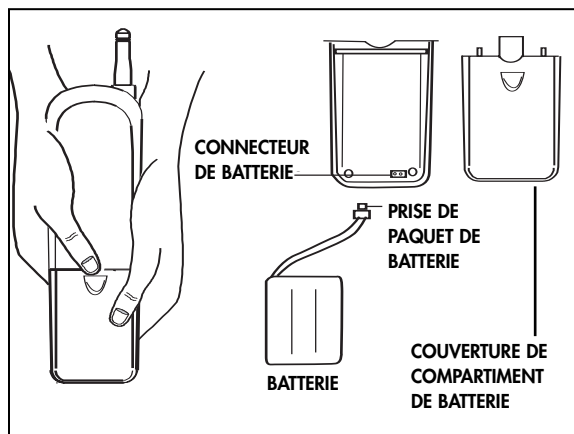
Remplacez la pile tous les deux (2) ans.

### PILES DE REMPLACEMENT

Le modèle C410 utilise une pile 3.6Volt 600mAHr NiMH Rechargeable battery. GP60AAAH3BMJZ, GPI International Ltd. 3SN-AAA60H-SJ1, Sanik Battery Co., Ltd

### Pour Installer Des Batteries

1. Retirez le couvercle de pile.
2. Installez la batterie.
3. Fermez le couvercle.
4. Chargez pendant 12 heures avant la première utilisation.



# Opération de votre téléphone

## CARACTÉRISTIQUES

### Technologie Clarity Power™

Avec la fonction Clarity Power, les sons de haute fréquence sont amplifiés davantage que les sons de basse fréquence, de manière à ce que la parole ne devienne non seulement plus forte mais aussi plus claire et plus facile à comprendre.

### Le bouton marche/arrêt (ON/OFF)

#### Clarity Power

L'appareil C410 est muni d'un bouton BOOST CLARITY POWER réglant la force de réception. En appuyant sur le bouton BOOST CLARITY POWER vous obtenez un niveau supplémentaire d'amplification sur toute l'étendue du réglage du volume. L'état prédéfini de ce bouton est déterminé par le commutateur d'intensification (à l'arrière de l'unité de base, voir ci-dessous.) En cours de communication, le bouton BOOST CLARITY POWER peut basculer la fonction Clarity Power entre marche et arrêt, selon les besoins de l'utilisateur.

Le bouton TALK s'allume en couleur **ORANGE** pour indiquer que la fonction **CLARITY POWER** est engagée.

**ATTENTION: Lorsque le bouton TALK est allumé en couleur ORANGE, le volume peut être à un niveau élevé. Pour protéger votre ouïe, baissez le réglage de volume au niveau minimum avant d'utiliser l'appareil.**

### Le Sélecteur de Volume

Le sélecteur contrôle le volume que l'écouteur-parleur combiné et le casque combiné reçoivent. Le sélecteur de volume fournit jusqu'à 15 dB de volume avant d'engager la fonction BOOST CLARITY POWER. Une fois que vous appuyez sur le bouton CLARITY POWER, l'appareil C410 fournira jusqu'à 30 dB de plus.

### Le Commutateur Marche/Arrêt (On/Off) D'intensification

Ce commutateur met la remise à zéro du bouton BOOST CLARITY POWER hors service comme suit :

**ON** – Lorsque le commutateur BOOST ON/OFF est sur ON, la fonction d'intensification est activée chaque fois qu'une communication commence, et prend la position prédéfinie ON chaque fois que le téléphone raccroche pendant. En cours de communication, le bouton CLARITY POWER peut basculer la fonction CLARITY POWER sur marche ou arrêt, selon les besoins de l'utilisateur.

**OFF** – Lorsque le commutateur BOOST ON/OFF est sur OFF, la fonction d'intensification est désactivée chaque fois qu'une communication commence, et l'utilisateur doit appuyer sur le bouton BOOST CLARITY POWER pour obtenir un niveau supplémentaire d'amplification. Si le

# Opération de votre téléphone

téléphone est raccroché pendant, la fonction Clarity Power repasse à OFF (arrêt). Au cours d'une communication le bouton BOOST CLARITY POWER peut basculer la fonction Clarity Power entre marche et arrêt, selon les besoins de l'utilisateur.

**CAUTION  
LOUD  
VOLUME**

**ATTENTION: LE VOLUME SERA FORT QUAND LE COMMUTATEUR DE POUSSÉE EST PLACÉ À DESSUS.**

## Réglage De Sonnerie

Les commandes pour le réglage de la sonnerie sont installées dans l'écouteur-parleur combiné aussi bien que dans l'unité de base de l'appareil C410.

## Sonnerie De L'écouteur-parleur Combiné

L'interrupteur marqué RINGER ON/OFF est situé sur le côté de l'écouteur-parleur combiné. L'interrupteur de la sonnerie doit être mis sur ON pour que l'écouteur-parleur combiné sonne lors d'un appel.

## Sonnerie De La Base

Le réglage du volume et du style de la sonnerie s'opère sur la base et se trouve sur le côté de la base du téléphone.

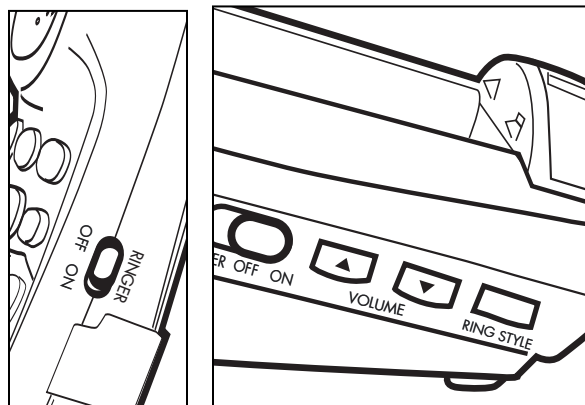
Réglez le volume de la sonnerie en poussant le commutateur du volume vers le haut ou le

bas jusqu'à ce qu'un niveau désiré de la sonnerie est obtenu. Il est également possible de régler le style ou la cadence de la sonnerie en appuyant sur le bouton RING STYLE. Vous pouvez choisir entre six (6) styles différents de la sonnerie. La sonnerie fonctionne pendant 2 secondes alors que vous choisissez le style, ce qui vous permet de faire votre choix.

**NB : Si la sonnerie de l'écouteur-parleur combiné aussi bien que celle de la base sont mis sur OFF (arrêt), l'alarme visuelle clignotera pour indiquer un appel.**

## L'alarme Visuelle

Les alarmes visuelles se trouvent dans l'antenne de l'écouteur-parleur combiné aussi bien que dans la base du téléphone. Lorsqu'un appel arrive, ces lampes clignent.



# Opération de votre téléphone

## Le Casque Combiné/Conjoncteur Du Collier

Un conjoncteur de 2.5 mm est situé au haut de l'écouteur-parleur combiné et sert à brancher un casque combiné. Lorsqu'on utilise un casque combiné, le volume de celui-ci est contrôlé par le téléphone. Le même conjoncteur peut servir pour colliers, avec en plus un adaptateur pour le conjoncteur de 3.5 mm.

### Pour Commander Un Casque Combiné

Au cas où vous voudriez acheter un casque combiné pour votre appareil C410, veuillez contacter Plantronics au numéro 1-800-544-4660 pour trouver un vendeur près de chez vous. Nous recommandons le casque Plantronics M110.

## Clignotant

Le bouton FLASH (clignotant) est activé pour les services spéciaux tels qu'appel en attente ou communication entre trois personnes. Veuillez contacter votre compagnie téléphonique locale pour vous informer sur ces services.

## Sourdine

Le bouton MUTE (sourdeine) vous permet de mener une conversation privée sans que la personne en ligne ne puisse l'entendre. Tandis qu'en mode muet, le bouton MUTE (sourdeine) deviendra ROUGE et le

microphone dans le combiné est handicapé. En appuyant de nouveau sur le bouton MUTE vous annulez la fonction de sourdeine.

## Recomposer/Pause

La bouton RD/P rappelle le dernier numéro composé et régit la fonction Pause.

### Pour Recomposer Le Dernier Numéro

Le dernier numéro composé (jusqu'à 32 chiffres) est mémorisé jusqu'à ce qu'un autre nombre soit composé.

### Pour Utiliser Cette Fonction

1. Appuyez sur le bouton TALK
2. Lorsque vous entendez la tonalité, appuyez sur le bouton RD/P
3. Le téléphone compose alors votre numéro automatiquement.

### La Fonction Pause

Vous pouvez insérer une pause de quatre (4) secondes dans la composition rapide des numéros de téléphone. Appuyez sur le bouton RD/P au moment voulu pendant la mémorisation du numéro.

## Le Clavier Illuminé

La garniture principale s'allumera pendant quinze (15) secondes après enlèvement de la base quand il y a un appel d'arrivée.

# Opération de votre téléphone

Pour réactiver cette volonté de dispositif tenez-vous prêt dedans ou en service, appuiez sur n'importe quelle touche.

## **Service D'appel Individuel/Trouver l'écouteur-parleur Combiné**

Pour transmettre un signal d'appel individuel de la base à l'écouteur-parleur combiné, appuyez sur le bouton PAGE sur la base du téléphone. Une série de sonneries est alors émise par le combiné.

Pour trouver l'écouteur-parleur combiné lorsqu'il se trouve à distance de la base, appuyez sur PAGE pendant environ cinq (5) secondes. Une série de sonneries est alors émise pendant environ soixante (60) secondes. Retournez l'écouteur-parleur combiné à la base ou appuyez sur le bouton TALK pour annuler l'appel individuel.

## **Code De Sécurité**

Le code de sécurité empêche votre téléphone sans fil d'être accessed par un téléphone sur une ligne différente. Une fois que la pile est entièrement chargée, le combiné sélectionne automatiquement le code à partir de 65,000 combinaisons. Le code change chaque fois que le combiné est remis sur son support.

Si vous avez des difficultés à placer ou à recevoir un appel téléphonique, la perte d'un code sécurité peut en être la cause. Dans un tel cas l'écouteur-parleur combiné ne peut plus communiquer avec la base. Remettez le

combiné sur la base pendant 5 à 10 secondes. Si cela n'aboutit pas aux résultats voulus, débranchez l'adaptateur courant alternatif de la prise de couran. Déconnectez la pile de l'appareil pendant 5 à 10 secondes et reconnectez. Remettez le combiné sur la base et réinsérez l'adaptateur courant alternatif.

## **Compatibilité Avec Prothèses Auditives.**

L'écouteur-parleur combiné est muni d'une bobine spéciale en son intérieur pour amener le son aux prothèses auditives équipées de commutateurs T/bobines T.

# Opération de votre téléphone

## Mémorisation

### Boutons De Mémorisation Pour Appels D'urgence

Trois boutons pour appels d'urgence sont prévus dans l'écouteur-parleur combiné. Ces boutons de mémorisation se programment avec des numéros ayant jusqu'à 16 chiffres.

### Emplacements De Mémoire

L'appareil C410 est également pourvu de 10 emplacements indirects de mémoire par toucher sur le téléphone (0-9) que vous pouvez programmer pour les appels fréquents. Programmation de numéros ayant jusqu'à 16 chiffres.

### Pour Mettre Des Numéros En Mémoire

1. Appuyez sur le bouton MEM.
2. Composez le numéro que vous désirez mettre en mémoire.
3. Appuyez une fois de plus sur le bouton MEM.
4. Appuyez sur le bouton pour appel d'urgence ou composez sur le clavier le numéro que vous désirez mettre en mémoire.
5. Un long bîpe indique alors que la programmation est réussie.

Pendant la mise en mémoire, le bouton TALK clignote en VERT. En cas de panne d'électricité la mémoire retient ses données pendant au moins six (6) heures.

### Pour Changer Un Numéro En Mémoire

Remplacez le numéro en mémoire en programmant un nouveau numéro à sa place.

### Pour Oblitérer Un Numéro En Mémoire

1. Appuyez sur le bouton MEM et relâchez-le.
2. Appuyez une fois sur \* pour chaque chiffre dans le numéro à oblitérer.
3. Appuyez encore une fois sur le bouton MEM.
4. Appuyez sur le bouton de l'emplacement en mémoire duquel vous oblitérez le numéro.

# Opération de votre téléphone

## LA TRANSMISSION ET LA RÉCEPTION D'APPELS TÉLÉPHONIQUES

### Pour Placer Un Appel Téléphonique

1. Appuyez sur le bouton TALK (la lampe s'allume).
2. Composez le numéro désiré.
3. Réglez le volume par la commande rotative au niveau désiré.
4. Appuyez sur le bouton CLARITY POWER (pour activer la fonction Clarity Power) pour obtenir au besoin plus d'amplification.

Voyez BOOST CLARITY POWER ON/OFF et BOOST ON/OFF pour plus d'information sur le contrôle du volume.

### Pour Composer Un Numéro En Utilisant La Mémoire

1. Appuyez sur le bouton TALK
2. Appuyez sur le bouton MEM
3. Sélectionnez la clé du clavier sous laquelle le numéro désiré est en mémoire
4. L'appel se fait automatiquement.
5. Réglez volume et Clarity Power selon besoin.

### Pour Composer Un Numéro D'urgence En Utilisant La Mémoire

1. Appuyez sur le bouton TALK
2. Appuyez sur le bouton d'urgence désiré.

3. L'appel se fait automatiquement.
4. Réglez volume et Clarity Power selon besoin.

### Pour Utiliser Un Service Ton Sur une Ligne De Pulsation

1. Composez le numéro désiré.
2. Lorsque l'appareil appelé répond, appuyez sur la clé \*. Les chiffres supplémentaires que vous composez sont transmis sous forme de signaux ton.
3. A la fin de votre communication, appuyez sur TALK ou remettez l'écouteur-parleur combiné sur la base. Le téléphone est automatiquement remis à zéro.

### Réception d'un appel

#### Soulevez l'écouteur.

1. N'appuyez pas sur TALK. Vous serez connecté automatiquement.

#### Ecouteur Hors De La Base

1. Appuyez sur le bouton TALK.

### Pour Terminer D'une Communication

Placez l'écouteur dans le support de la base et appuyez sur le bouton TALK pour déconnecter la ligne.

# Dépistage des dérangements

## L'appareil Ne Fonctionne Pas/Pas De Signal De Transmission

- Vérifiez si le bouton TALK est allumé.
- Vérifiez l'adaptateur à C.A. est solidement branché à la sortie de courant alternatif Et au téléphone.
- Vérifiez si le fil de la ligne téléphonique est bien inséré dans le conjoncteur au mur et dans le téléphone.
- Mettez bien l'antenne de la base en position verticale.
- Assurez-vous que la pile de l'écouteur-parleur combiné est complètement chargée.
- Vérifiez si le téléphone est au mode de composition correct, ton (au toucher) ou impulsion (rotatif).
- Vérifiez si vous êtes encore à portée utilisable de la station de base.
- Remettez le code de sécurité à zéro en plaçant l'écouteur-parleur combiné sur la base pendant 5-10 secondes.

## Le Téléphone Ne Sonne Pas Lors D'un Appel Reçu

- Vérifiez si le commutateur RINGER (sonnerie) sur l'écouteur-parleur combiné et sur la base est bien sur ON.
- Vérifiez si l'adaptateur courant alternatif est correctement inséré dans la prise de courant et dans le téléphone.
- Vérifiez quel le fil de la ligne téléphonique est branché correctement sur le conjoncteur au mur et sur le téléphone.
- Vérifiez si vous êtes encore à portée utilisable de la station de base.
- Vous avez peut-être trop de rallonges branchées sur votre ligne. Essayez d'en déconnecter quelques-unes.

## Vous Entendez Bruit, Statique, Brouillage Ou D'autres Conversations Sur Votre Écouteur

- Essayez de changer de canal.
- Vérifiez si l'antenne de la base est bien en position verticale.
- Vérifiez si vous êtes encore à portée utilisable de la station de base.



## Dépistage des dérangements

- Assurez-vous que la pile de l'écouteur-parleur combiné est entièrement chargée.
- Essayez de choisir un autre emplacement pour l'unité de base.
- Assurez-vous que l'adaptateur courant alternatif n'est pas branché sur la prise de courant avec d'autres appareils.

### Le Téléphone Ne Retient Pas Sa Charge

- Assurez-vous que les contacts de charge sur l'écouteur-parleur combiné et sur la base sont libres de poussière et ne sont pas sales.
- Nettoyez les contacts avec un tissu doux.
- Assurez-vous que le DEL CHARGE sur la base est bien allumé lorsque l'écouteur-parleur combiné est dans son support.
- Au besoin, remplacez la pile de votre appareil. (voir Chargement de la pile de l'écouteur-parleur combiné).

### Si Vous Avez Des Difficultés à Faire Ou à Recevoir Des Appels Téléphoniques

- Rapprochez-vous de la base et essayez encore une fois.
- Si le rapprochement n'a pas de résultat, il se peut que vous ayez perdu le code de sécurité.
- Remettez le code à zéro en remettant l'écouteur-parleur combiné sur la base pendant 5-10 secondes (voir la section Code de Sécurité).
- Assurez-vous d'avoir sélectionné le mode qui convient, ton ou pulsation, pour composer votre numéro.
- Assurez-vous que l'adaptateur courant alternatif n'est pas branché sur la prise de courant avec d'autres appareils.
- Déconnectez pendant 5-10 secondes et reconnectez. Remettez l'écouteur-parleur combiné sur la base et réinsérez l'adaptateur courant alternatif.
- Vérifiez si la pile de l'appareil est complètement chargée.

# Les exigences de la Federal Communications Commission

## FCC Partie 68 Informations

Le présent matériel est conforme aux règlements de la Partie 68, FCC et aux exigences adoptées par l'ACTA. L'étiquette FCC Partie 68 est placée sur l'UNITE DE BASE du téléphone. Parmi d'autres informations, cette étiquette contient un identificateur de produit dans le format US :AAAEQ##TXXXX. Ces informations sont à fournir sur demande à votre compagnie de téléphone.

La connexion au réseau est à effectuer par joncteurs modulaires standard, USOC modèle RJ11C. La fiche et/ou les joncteurs doivent être conformes aux règlements et exigences FCC Partie 68 et aux exigences adoptées par l'ACTA.

Le REN sert à déterminer le nombre d'appareil pouvant être connectés à votre ligne téléphonique et pouvant sonner lorsque votre numéro téléphonique est appelé. Un excès de RENS sur la ligne téléphonique peut empêcher les appareils de sonner lors d'un appel reçu. Dans la plupart des régions, mais pas toutes, le nombre total de RENS pouvant être connecté pour tous les appareils sur votre ligne ne doit pas excéder cinq (5.0). Contactez votre compagnie de téléphones pour vous assurer du nombre maximum pouvant être connecté sur votre ligne. Le REN pour ce produit fait partie de l'identificateur du produit ayant le format US : AA AEQ##TXXXX. Les chiffres représentés par ## sont le RNN sans un point décimal.

Si cet équipement téléphonique, le téléphone C410 Clarity nuit au réseau téléphonique, la compagnie téléphonique vous notifiera d'avance qu'une interruption temporaire de service peut devenir nécessaire. Toutefois, si une telle

notification d'avance n'est pas pratique, la compagnie téléphonique notifiera le client aussi tôt que possible. Vous serez également informé sur votre droit de loger une plainte auprès du FCC si vous estimez que cela est nécessaire.

La compagnie téléphonique peut effectuer des modifications dans ses locaux, son équipement, ses opérations ou ses procédures pouvant affecter le bon fonctionnement de votre équipement, et dans ce cas vous seriez notifié d'avance pour vous permettre de prendre les mesures nécessaires pour maintenir un service sans interruption.

En cas de difficultés avec cet appareil, pour réparations ou informations concernant la garantie, veuillez contacter le service clientèle au numéro indiqué dans la section Garantie. Si l'appareil endommage le réseau, la compagnie téléphonique peut vous demander de déconnecter votre équipement jusqu'à ce que le problème soit résolu.

**NE DEMONTEZ PAS CET APPAREIL. Il ne contient pas d'éléments pouvant être réparés par l'utilisateur.**

La connexion à des lignes partagées est sujette à l'imposition de tarifs. Contactez la commission de services publics de votre état ou province ou commission de sociétés pour vous informer.

Si votre maison est protégée par un système d'alarme spécial connecté à la ligne téléphonique, veuillez vous assurer auprès de votre compagnie téléphonique ou auprès d'un installateur qualifié que l'installation de cet appareil n'invalide pas le système d'alarme.

# Les exigences de la Federal Communications Commission

## Cet équipement est conçu pour être utilisé également par personnes ayant un handicap auditif.

Nous recommandons l'installation d'un coupe-circuit de surtension courant alternatif dans la prise de courant alternatif sur laquelle cet appareil est branché. Les compagnies téléphoniques indiquent que les pointes de tension, typiquement des chocs de tension, sont très nuisibles à l'équipement du client connecté aux sources de courant alternatif.

## Règlements FCC Partie 15 Informations sur Interférences

Le présent appareil est conforme à la partie 15 des règlements de la FCC. Son utilisation est sujette aux conditions suivantes: (1) Cet appareil ne doit pas provoquer des interférences nuisibles, et (2) cet appareil doit accepter toute interférence reçue, y compris les interférences pouvant résulter en un fonctionnement indésirable.

Votre C410 a été testé et prouvé conforme aux limites d'un dispositif digital de Classe B selon la Partie 15 des règlements de la FCC. Ces limites sont conçues pour offrir une protection raisonnable contre les interférences nuisibles dans les installations résidentielles.

Cet équipement produit, utilise et peut émettre de l'énergie à haute fréquence et, s'il n'est pas installé et utilisé conformément aux instructions, peut provoquer des interférences nuisibles aux communications radiophoniques. Toutefois nous ne garantissons pas l'absence de toute interférence dans une installation particulière. Si cet

équipement provoque des interférences nuisibles dans la réception de radio ou de télévision, pouvant être détectées en fermant et en rallumant l'appareil, nous vous proposons de remédier à ces interférences en prenant l'une des mesures suivantes:

1. Si cela peut se faire sans danger, changez l'orientation des antennes de télévision ou de radio.
2. Autant que possible, choisissez un autre emplacement pour l'appareil de télévision, de la radio ou de tout autre récepteur (pour augmenter la distance entre l'équipement téléphonique et le récepteur.
3. Branchez l'équipement téléphonique sur un circuit différent de celui sur lequel l'appareil de télévision, la radio ou autre récepteur est branché.
4. Consultez le vendeur ou un technicien expérimenté de radio/télévision.

**ATTENTION:** Toute altération modification sans l'approbation expresse du fabricant responsable pour la conformité légale risque d'annuler le droit de l'utilisateur d'opérer l'équipement.

## RESPONSABLE DE LA CONFORMITE LEGALE DU PRODUIT:

Clarity, une Division de Plantronics, Inc.  
4289 Bonny Oaks Drive, Suite 106  
Chattanooga, TN 37406  
Téléphone :800.552.3368

# Garantie Et Service

La garantie et les informations de service suivants sont applicables aux seuls produits utilisés aux États Unis et au Canada. Pour toute information concernant la garantie dans d'autres pays, veuillez contacter votre vendeur ou distributeur local.

## Garantie Limitée

Clarity, une division de Plantronics, Inc. ( "Clarity" ) garantit à l'utilisateur/acheteur original pour une période d'un (1) an à partir de la date de l'achat original ("la période de garantie") qu'à l'exception des limitations et exclusions indiquées ci-dessous, le présent produit est libre de défauts de matériel et de manufacture. L'obligation de Clarity, sous cette garantie, couvre pendant la Période de Garantie, au choix de Clarity, tout élément ou unité s'avérant défectueux en son matériel ou sa manufacture.

## Exclusions De La Garantie

La présente garantie n'est valable que pour les défauts de matériels de fabrique ou de fabrications. Toute condition causée par accident, abus, utilisation ou opération incorrecte, violations des instructions fournies par Clarity, destruction ou modification, tensions de courant ou courant incorrects ou tentatives de réparation ou d'entretien par autres qu'un centre de service autorisé par Clarity n'est pas un défaut couvert par cette garantie. Les compagnies téléphoniques pro-

duisent différents genres d'équipement et Clarity ne garantit pas que son équipement soit compatible avec l'équipement d'une compagnie téléphonique particulière.

## Garanties Tacites

Sous les lois des différents états, il se peut que vous ayez droit à certaines garanties tacites. Ces garanties tacites ne resteront valables que pendant la période de garantie. Certains états permettent des limitations de la durée d'une garantie tacite, et cette limitation n'y affecte donc pas nécessairement votre garantie.

## Dommages Incidents Ou Indirects

Ni Clarity ni votre vendeur ou distributeur n'est responsable pour tous dommages incidents ou indirects y compris, sans limitation, pertes commerciales ou de bénéfiques, ni pour tous dommages incidents, dépenses, pertes de temps ou inconvénients. Certains états ne permettent pas l'exclusion ou la limitation de dommages incidents ou indirects, et cette limitation ou exclusion n'y affecte donc pas nécessairement votre garantie.

## Autres Droits Légaux

La présente garantie vous confère des droits légaux spécifiques et vous pouvez également avoir d'autres droits qui peuvent varier d'état en état.

# Garantie Et Service

## Pour Obtenir Le Service Sous Garantie

Pour obtenir le service sous garantie, veuillez expédier, port aller-retour payé, l'équipement à l'une des adresses suivantes:

### Aux Etats Unis

Clarity Service Center  
4289 Bonny Oaks Drive, Suite 106  
Chattanooga, Tennessee 37406  
Tel: (423) 629-3500 ou  
(800) 426-3738  
Fax: (423) 622-7646 ou  
(800) 325-8871

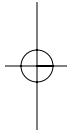
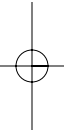
### Au Canada

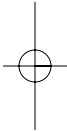
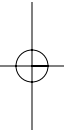
Plantronics Service Center  
8112 Trans Canada Highway  
Ville Saint-Laurent  
Québec H4S 1M5  
Tel: (800) 540-8363  
(514) 956-8363  
Fax: (514) 956-1825

Veillez utiliser le conteneur original ou emballer la ou les appareils dans un carton solide avec un rembourrage suffisant pour empêcher toute avarie. En même temps, transmettez les informations suivantes:

1. Une preuve d'achat indiquant le numéro de modèle et la date de l'achat.
2. L'adresse de facturation.
3. L'adresse d'expédition.
4. Le nombre et la description des appareils expédiés.
5. Le nom et le numéro téléphonique de la personne à appeler en cas de besoin.
6. La raison pour le retour et la description du problème.

Tout dommage se produisant en cours d'expédition est la responsabilité du transporteur, et toute réclamation est à lui adresser directement.







Clarity, a Division of Plantronics, Inc.  
4289 Bonny Oaks Drive, Suite 106  
Chattanooga, TN 37406  
1-800-552-3368  
[www.clarityproducts.com](http://www.clarityproducts.com)  
Made in China

©2005 Clarity, a Division of Plantronics, Inc. All rights reserved.  
Amplifying Your Life, Clarity, Clarity Power, Clarity Power control and  
Clarity are trademarks or registered trademarks of Plantronics, Inc.

Rev.B (6-05)



## Free Manuals Download Website

<http://myh66.com>

<http://usermanuals.us>

<http://www.somanuals.com>

<http://www.4manuals.cc>

<http://www.manual-lib.com>

<http://www.404manual.com>

<http://www.luxmanual.com>

<http://aubethermostatmanual.com>

Golf course search by state

<http://golfingnear.com>

Email search by domain

<http://emailbydomain.com>

Auto manuals search

<http://auto.somanuals.com>

TV manuals search

<http://tv.somanuals.com>