

C4205™ User Guide

2.4 GHz Cordless Telephone Featuring Digital Clarity Power™ Technology



TABLE OF CONTENTS

Important Safety Instructions	3
Features	8
Choosing a Location.....	10
Telephone Installation.....	12
Handset Battery	14
Telephone Handset Features	17
Telephone Base Features	20
Using Your Telephone	24
Memory Storage	27
Maintenance and Care	29
Troubleshooting	30

IMPORTANT SAFETY INSTRUCTIONS

When using your telephone equipment, basic safety precautions should always be followed to reduce the risk of fire, electric shock and injury to persons including the following:

1. Read and understand all instructions.
2. Follow all warnings and instructions marked on the telephone.
3. Do not use this telephone near a bath tub, wash basin, kitchen sink or laundry tub, in a wet basement, near a swimming pool or anywhere else there is water.
4. Avoid using a telephone (other than a cordless type) during a storm. There may be a remote risk of electrical shock from lightning.
5. Do not use the telephone to report a gas leak in the vicinity of the leak.
6. Unplug this telephone from the wall outlets before cleaning. Do not use liquid cleaners or aerosol cleaners on the telephone. Use a damp cloth for cleaning.
7. Place this telephone on a stable surface. Serious damage and/or injury may result if the telephone falls.

SAVE THESE INSTRUCTIONS

IMPORTANT SAFETY INSTRUCTIONS

8. Do not cover the slots and openings on this telephone. This telephone should never be placed near or over a radiator or heat register. This telephone should not be placed in a built-in installation unless proper ventilation is provided.
9. Operate this telephone using the electrical voltage as stated on the base unit or in the owner's manual. If you are not sure of the voltage in your home, consult your dealer or local power company.
10. Do not place anything on the power cord. Install the telephone where no one will step or trip on the cord.
11. Do not overload wall outlets or extension cords as this can increase the risk of fire or electrical shock.
12. Never push any objects through the slots in the telephone. They can touch dangerous voltage points or short out parts that could result in a risk of fire or electrical shock. Never spill liquid of any kind on the telephone.

SAVE THESE INSTRUCTIONS

IMPORTANT SAFETY INSTRUCTIONS

13. To reduce the risk of electrical shock, do not take this phone apart. Opening or removing covers may expose you to dangerous voltages or other risks. Incorrect reassembly can cause electric shock when the appliance is subsequently used.
14. Unplug this product from the wall outlet and refer servicing to the manufacturer under the following conditions:
 - A. When the power supply cord or plug is frayed or damaged.
 - B. If liquid has been spilled into the product.
 - C. If the telephone has been exposed to rain or water.
 - D. If the telephone does not operate normally by following the operating instructions. Adjust only those controls that are covered by the operating instructions. Improper adjustment may require extensive work by a qualified technician to restore the telephone to normal operation.
 - E. If the telephone has been dropped or the case has been damaged.

SAVE THESE INSTRUCTIONS

IMPORTANT SAFETY INSTRUCTIONS

- F. If the telephone exhibits a distinct change in performance.
- 15. Never install telephone wiring during a lightning storm.
- 16. Never install telephone jacks in wet locations unless the jack is specifically designed for wet locations.
- 17. Never touch uninsulated telephone wires or terminals unless the telephone line has been disconnected at the network interface.
- 18. Use caution when installing or modifying telephone lines.
- 19. Use only the power cord and batteries indicated in the manual. Do not dispose of batteries in a fire. They may explode. Check with local codes for possible special disposal instructions.
- 20. Plug the AC adaptor into the outlet that is nearest and most accessible to the telephone.

SAFETY INSTRUCTIONS FOR BATTERIES

Caution: Risk of explosion if battery is replaced by an incorrect type. Dispose of used batteries according to the instructions.

SAVE THESE INSTRUCTIONS

IMPORTANT SAFETY INSTRUCTIONS

1. Use only the approved battery pack in the handset of your cordless phone.

For Handset Unit: 3.6V 600mAh

NiMH Rechargeable Battery

Sanik Battery Co. Ltd.: 3SNAAA60HSJ1

GPI International Ltd.: GP60AAAH3BMJZ

For Base Unit: Four (4) AA alkaline batteries

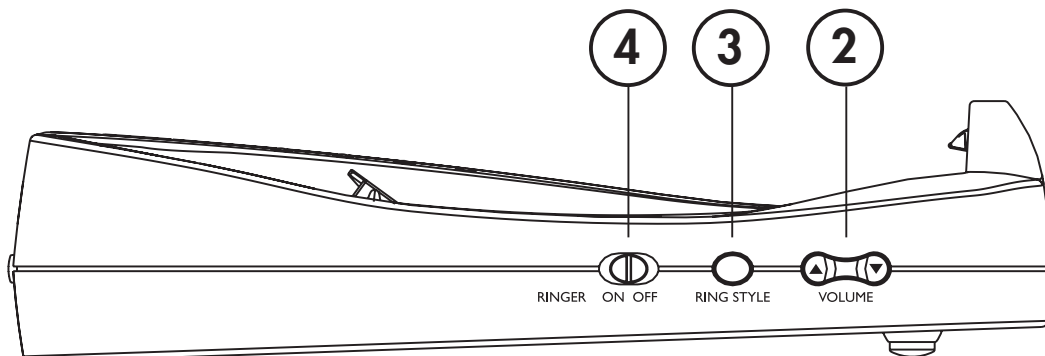
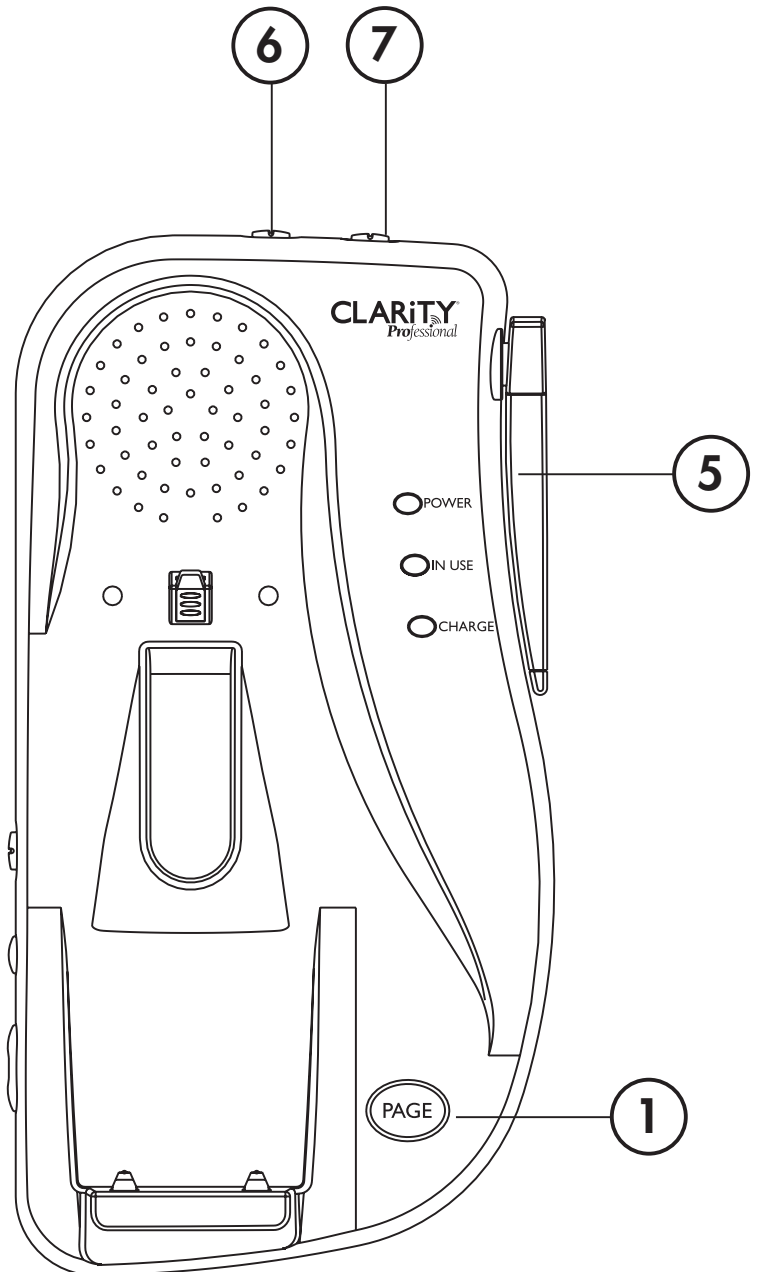
2. Do not dispose of the battery in a fire as it may explode. Check with local codes for possible special disposal instructions.
3. Do not open or mutilate the battery. Released electrolyte is corrosive and may cause damage to the eyes and skin. It may be toxic if swallowed.
4. Exercise care in handling batteries in order not to short the battery with conducting materials such as rings, bracelets and keys. The battery or conduction material may overheat and cause burns.
5. Charge the battery (ies) provided with or identified for use with this product only in accordance with the instructions and limitations specified in this manual.
6. Observe proper polarity orientation between the battery pack and the battery charger.

SAVE THESE INSTRUCTIONS

FEATURES

Telephone Base

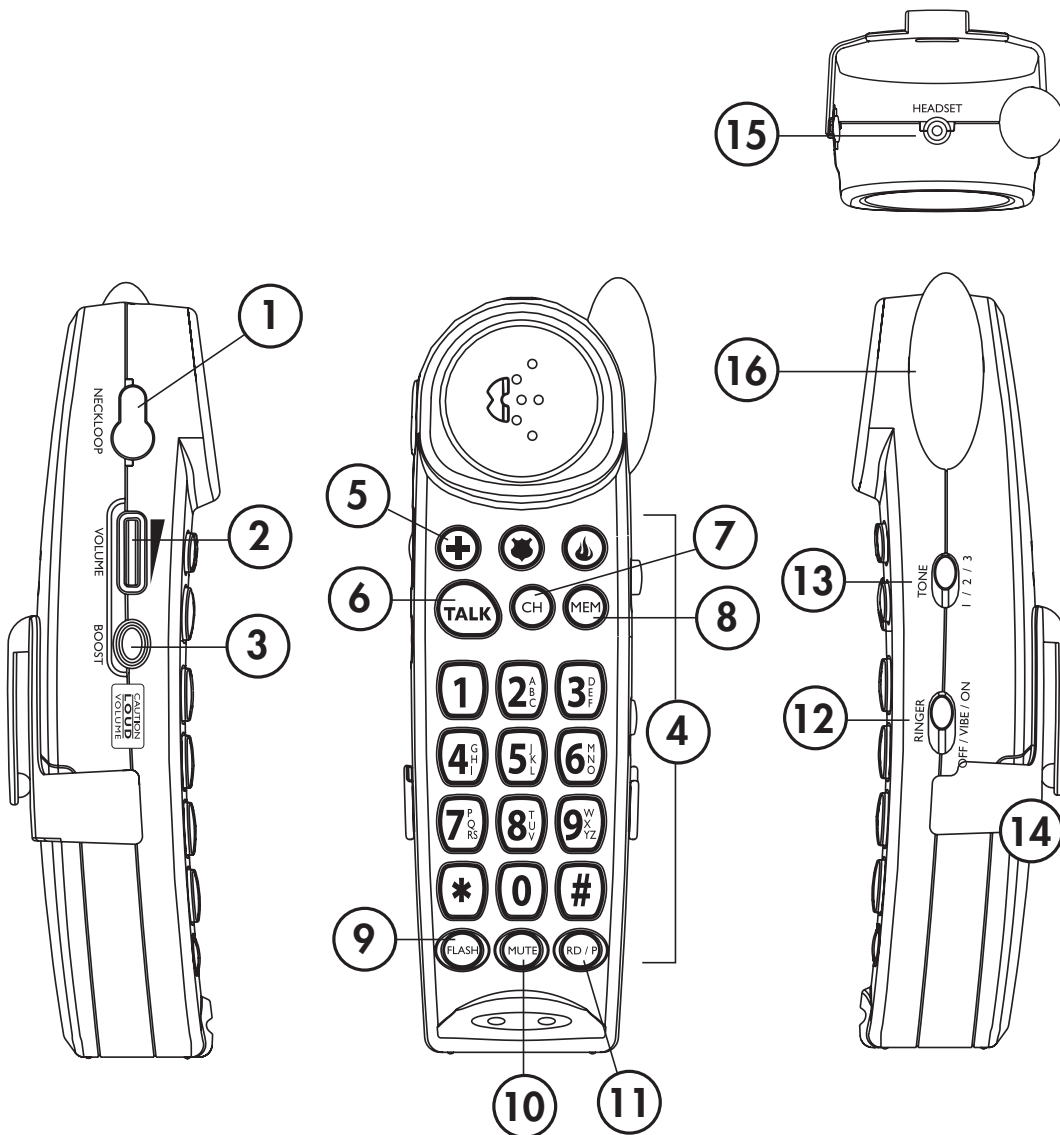
1. Handset Page
2. Ringer Volume
3. Ringer Style
4. Ringer On/Off
5. Antenna/Visual Ringer
6. Boost On/Off
7. Pulse/Tone



FEATURES

Handset

1. Neckloop Jack
2. Handset Volume
3. Boost
4. Dial Pad
5. Emergency Buttons
6. Talk
7. Channel
8. Memory
9. Flash
10. Mute
11. Redial/Pause
12. Handset Ringer Off/
Vibe/On
13. Handset Tone
14. Belt Clip
15. Headset Jack
16. Antenna/Visual Ringer

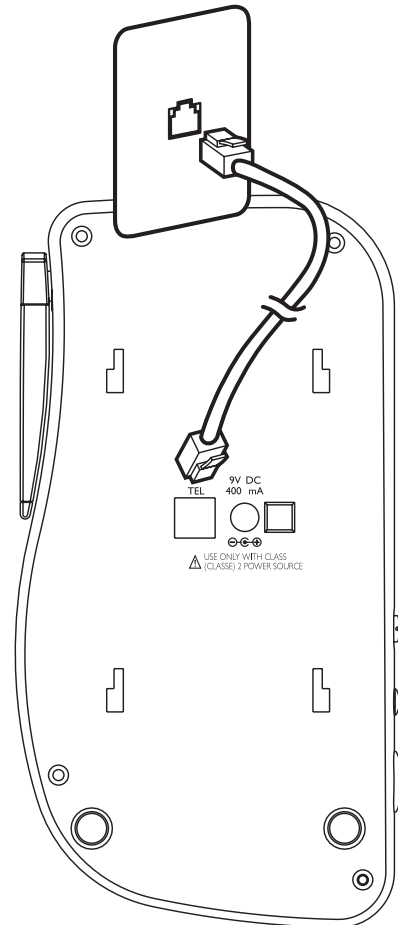


CHOOSING A LOCATION

1. This phone requires a modular phone jack (RJ11C) and a standard 120V AC wall outlet.
2. Plug the AC Adapter directly into outlet.
3. Do not plug other appliances into the same outlet or have outlet controlled by a wall switch.
4. Choose a location that is out of the way of normal activities.

⚠ CAUTION: USE ONLY WITH CLASS 2 POWER SOURCE 9V DC, 400MA.

Always connect the AC Adapter to the phone before you connect it to the AC power. When you finish, disconnect the AC power before you disconnect it from the phone.

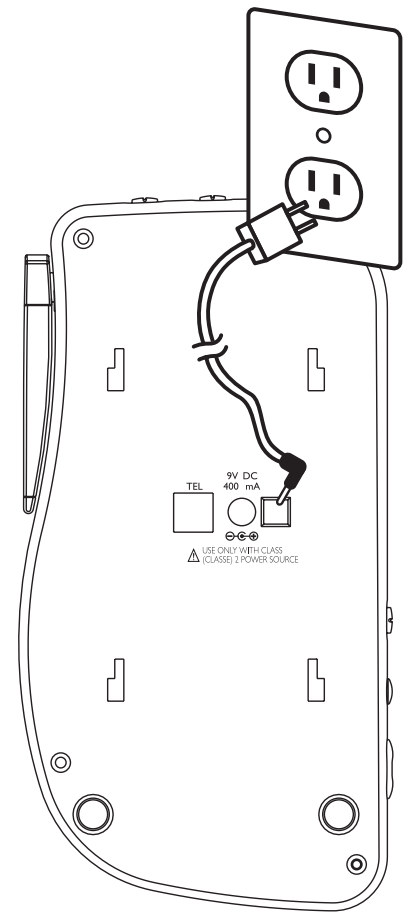


Connecting telephone line cord

CONNECTING YOUR TELEPHONE

Carefully remove your cordless telephone from its box. If there is any visible damage, do not attempt to operate this equipment. Return it to the place of purchase. Check to be sure that you have all items that come with your telephone. You should have a HANDSET, BASE UNIT, BATTERY, AC ADAPTER, TELEPHONE LINE CORD, BELT CLIP and OWNERS MANUAL.

If at any time you have questions about your telephone please contact our Customer Service Department at:
1-800-552-3368
or 423-622-7793.



Connecting AC Adapter

TABLE/DESK TOP INSTALLATION

CAUTION: Disconnect the telephone line cord before connecting or disconnecting the battery backup in the wall mount bracket.

1. Plug one end of the supplied modular telephone line cord into the jack marked TEL located on the back of the telephone base as shown in the diagram.
2. Plug the modular telephone line cord's other end into a modular phone jack.
3. Insert the supplied AC Adapter's plug into the jack marked 9V DC 400mA located on the back of the telephone base.
4. Plug the adapter into a standard 120V AC power (electrical) outlet.
5. Align the mounting bracket on the back of the base so that the black rubber feet are towards the bottom of the phone. Insert the bracket's tabs into the slots and secure the bracket by sliding it upward.
6. Lift the base's antenna to a vertical position.
7. Set the TONE/PULSE switch located on the back of the base to correct dialing mode. Please check with your local Phone Company if uncertain of the

type of service.

8. Place handset in the cradle to begin initial charging.

WALL MOUNTING INSTALLATION

CAUTION: Disconnect the telephone line cord before connecting or disconnecting the battery backup in the wall mount bracket.

The base unit may be mounted on a standard wall plate.

1. Plug one end of the supplied short modular telephone line cord into the TEL jack located on the back of the base of the phone.
2. Insert the plug of the AC adapter into the jack marked DC 9V 400mA located on the back of the telephone base.
3. Align the mounting bracket on the back of the base so that the black rubber feet are towards the bottom of the phone. Insert the bracket's tabs into the slots and secure the bracket by sliding it upward.
4. Plug the short modular telephone line cord into the wall plate jack, then align the mounting bracket's keyhole slots with the wall plate studs and slide the

base of the phone downward to secure it on the wall.

5. Plug the adapter into a standard AC power (electrical) outlet.
6. Press and lift out the handset holder tab, turn it around so the narrow tab end extends out and slide back into its slot. This will hold the handset in the cradle when the phone is wall mounted.
7. Lift the base's antenna to a vertical position.
8. Set the Tone/Pulse switch located on the end of the base to correct dialing mode. Please check with your local Phone Company if uncertain of the type of service.
9. Place handset in the cradle to begin initial charging. Remember, you must charge the phone for at least 12 hours before you use the phone for the first time.

Note: Remember, you must charge the phone for at least 12 hours before you use the phone for the first time.

HANDSET BATTERY INSTALLATION

The C4205 uses a 3.6Volt 600mAh NiMH rechargeable 3 cell (AAA Type) battery that is included with your unit.

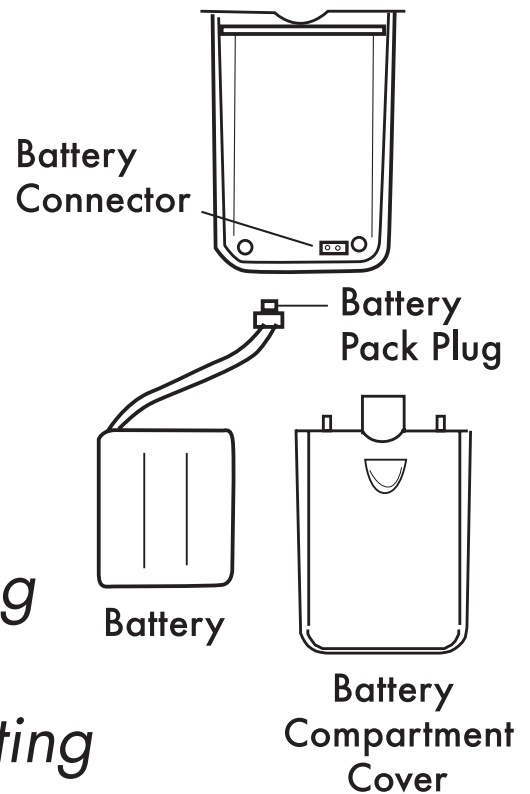
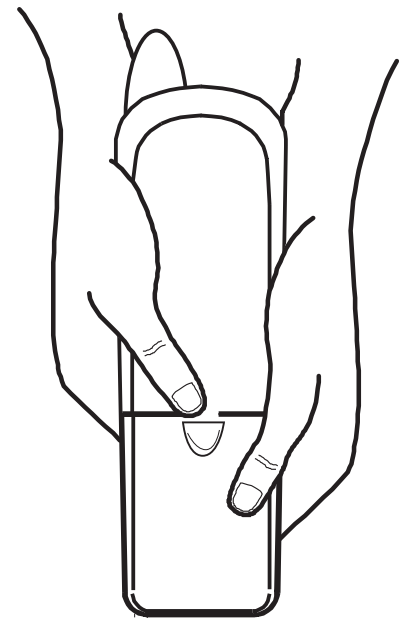
Handset Battery must be connected before beginning initial charging

To Install a New Battery

1. Remove battery cover
2. Install new battery
3. Connect battery pack
4. Replace battery cover
5. Charge for 12 hours before first use

Handset Battery Charging

1. Place the handset in the base. The CHARGE LED on the base will light RED.
2. After the batteries are fully charged, check for dial tone by pressing TALK on the handset.



Installing and connecting battery

Note:

The battery in the handset must be fully charged for 12 hours before using the telephone for the first time.

Low Battery

When the handset battery gets low, there will be two (2) beeps every thirty (30) seconds. If the battery becomes low while you are on a call, you will be disconnected after about two (2) minutes. Terminate the call and recharge the battery. To recharge the battery pack, place the handset in the base.

1. Make sure the contact points are touching and the CHARGE LED is lit.
2. Be careful not to short battery with Conducting materials such as rings, bracelets and keys.

Talk Time: about
four (4) hours

Standby Time: about
eight (8) days

Battery Life

A fully charged battery provides an average talk time of about four (4) hours, or standby time of about (8) days. Talk time and standby time may vary depending on operating conditions.

TELEPHONE HANDSET

Digital Clarity Power Technology

With Digital Clarity Power, the high frequency sounds are amplified more than the low frequency sounds so words are not just louder, but clearer and easier to understand. It also provides intelligent amplification to make soft sounds audible, while keeping loud sounds bearable.

BOOST – Clarity Power On/Off

The C4205 has a button that controls the loudness of the receiver. Once the BOOST button is pressed, an extra level of amplification is added over the entire range of the volume control.

The TALK button will light ORANGE to indicate the CLARITY POWER feature is activated.

Boost On: Talk button
is ORANGE

Boost Off: Talk button
is GREEN

WARNING: When the TALK button is lit ORANGE volume may be at a high level. To protect hearing, lower the volume control to minimum before using.

Volume Control

The dial controls the level of volume the handset and headset receive. The volume dial provides up to 15 decibels of volume before the CLARITY POWER button is activated. Once the CLARITY POWER button is pressed, the C4205 will provide up to 50 decibels of amplification.

Tone Switch

Adjusting the TONE switch allows you to customize your hearing experience. Since we all have different hearing preferences we suggest exploring each setting to find the one most comfortable for you.

Handset Ringer

Set the switch marked Ringer OFF/VIBE/ON located on the side of the handset. When VIBE is selected the handset will ring and vibrate when receiving an incoming call. The ringer switch must be set to ON or VIBE for the handset to ring.

NOTE: If both handset and base ringers are set to OFF, the visual ringer will flash to indicate there is an incoming call.

Headset Jack

You can use this telephone hands-free when you install a 2.5mm headset (purchased separately). To install, plug the headset into the HEADSET JACK at the top of the handset. While in headset mode, the volume of headset is controlled by the telephone and the handset's earpiece and microphone are disconnected.

Ordering a Headset

In the event you wish to purchase a headset for your C4205, please contact Plantronics at 1-800-544-4660 for location near you. We recommend using the Plantronics M110 or M130 headset.

Belt Clip

You may choose to use the optional belt clip with your handset.

1. To attach slide belt clip down onto grooves. Press the tabs on the belt clip into the slots to attach.
2. To remove, lift one side of the belt clip with your thumbnail and push back.

Hearing Aid Compatibility

The handset has a special coil inside of it to couple the sound to hearing aids equipped with T-Switches/T-Coils.

TELEPHONE BASE

Ringer Volume

The base ringer volume adjustments are located on the side of the telephone base.

Pressing the UP (▲) key on the base increases the ringer sound by one level while pressing the DOWN (▼) key reduces the sound by one level. There are a total of six levels from maximum to minimum. The ringer will sound for two (2) seconds while choosing a ringer volume, to allow the user to make a choice.

Ringer Style

The base ringer style adjustments are located on the side of the telephone base. The style of ring can be adjusted by pressing the RING STYLE button. Six (6) styles are available allowing you to customize your ring. The ringer will sound for two (2) seconds while choosing a ringer style, to allow the user to make a choice.

Visual Ringers


Visual ringers are located in both the handset antenna and the base of the telephone. When an incoming call is received, these lights will flash. The handset visual ringer will also stay lit while the phone is in use.

BOOST ON/OFF Switch

This switch will disable the reset feature of the BOOST Clarity Power button as follows:

ON – When the BOOST ON/OFF switch is set to ON, the Boost function will be ON every time a call starts, and will default to ON every time the phone hangs up. During a call, the BOOST Clarity Power button can toggle the Clarity Power ON or OFF according to the user's needs.

OFF – When the BOOST ON/OFF switch is set to OFF, the Boost function will be OFF every time a call starts, and the user will need to press the BOOST Clarity Power button in order to gain the extra level of amplification. If the phone hangs up, the Clarity Power will reset to OFF. During a call, the BOOST Clarity Power button can toggle the Clarity Power function ON or OFF according to the user's needs.

 **CAUTION: VOLUME WILL BE LOUD WHEN BOOST SWITCH IS SET TO "ON".**

Pulse/Tone

Slide the switch to the type of telephone service you have; TONE for touch-tone service or PULSE for rotary dialing. Please check with your local telephone company if uncertain of the type of service.

Flash

The FLASH button is activated to use custom calling services such as Call Waiting or Three-Way Calling. Please contact your local telephone company for information on these services.

Mute

The MUTE button allows the user to conduct a private conversation that you do not want the person on the other end to hear. While in the mute mode, the MUTE button will illuminate RED and the microphone in the handset is disabled. Pressing the MUTE button again will disengage the MUTE feature.

Redial/Pause

Press the RD/P button to redial the last number dialed. Pressing the RD/P button while storing a telephone number will insert a four (4) second pause. This is commonly used when storing both the telephone number and an extension or PIN number.

Battery Back-up

Installing four (4) AA Alkaline batteries into the desk/wall mount bracket attached to the telephone base will offer you a limited amount of time to continue operating your telephone in the event of a power failure.

To Install Battery Back-up Batteries

1. Disconnect telephone line cord and remove desk/wall mount bracket from telephone base.
2. Disconnect battery back-up connector from the telephone base.
3. Install four (4) AA Alkaline batteries with negative (-) end of battery touching the spring.
4. Connect battery back-up connector to terminal on bottom of telephone base.
5. Install desk/wall mount bracket to telephone base.

To Replace Battery Backup Batteries

1. Disconnect telephone line cord and remove desk/wall mount bracket from telephone base.
2. Disconnect battery back-up connector from the telephone base.
3. Remove batteries from desk/wall mount bracket.
4. Install four (4) AA Alkaline batteries with negative (-) end of battery touching the spring.
5. Connect battery back-up connector to terminal on bottom of telephone base
6. Install desk/wall mount bracket to telephone base

After installing the four (4) AA Alkaline batteries please refer to the chart below:

Power Supply	Power LED Status
AC adapter and good batteries	Steady Green
AC adapter and no batteries	Steady Red
Power failure and good batteries	Slow flashing red
Power failure and bad batteries	Fast flashing red

USING YOUR TELEPHONE

Placing a Call

1. Press the TALK button (TALK button will illuminate GREEN) and dial the number you wish to call.
2. To end the call press the TALK button or place the handset in the base.

Answering a Call

If the handset is out of the cradle, press the TALK button.

If the handset is in the cradle, simply lift the handset to answer.

Note: Refer to BOOST Clarity Power and Volume Control for information on adjusting volume controls on Page 15.

Last Number Redial

The last number dialed (up to 32 digits) is stored in the redial memory until another number is dialed.

To use this feature:

1. Press the TALK button.
2. When you hear the dial tone, press the RD/P button.
3. The phone will automatically dial for you.

Pause Feature

Programming in a pause will cause the phone to wait four (4) seconds before dialing additional numbers. This feature may be used when it is necessary to dial an access code (9, for example) and wait for a second dial tone before you can dial an outside number. Press the RD/P button at the required point during the memory storage process to program a pause.

Temporary Tone

If you have rotary (pulse) dial service, you can change from pulse to touch tone (tone) during a call.

1. Make phone call and wait until it is connected.
2. Press the * key. Keys pressed after this are sent as tone signals.
3. The phone will automatically reset to rotary (pulse) service after the call ends.

Lighted Key Pad

The key pad will light for fifteen (15) seconds after removing the handset from the base. To reactivate the feature while in standby, press the TALK or the MEM button. To activate while the phone is in use, press any key.

Page/Handset Locator

To send a page signal from the base to the handset, press the PAGE button located on the base of the telephone. A series of rings will sound from the handset.

To locate the handset if it is away from the base, press and hold the PAGE button for approximately five (5) seconds. A series of rings will sound. Return the handset to the base or press any button to cancel the page.

Channel Operation

The C4205 cordless telephone automatically searches and selects the clearest of 40 channels when it is being used. If interference develops on the line, pressing this button will move to another channel.

Security Code

The security code prevents your cordless phone conversations from being accessed by a phone on a different line. Once the handset battery is fully charged, the handset will automatically select the code from over 65,000 different combinations. The code is changed every time the handset is placed in the cradle. If you have trouble with placing or receiving calls, a lost security code may be the cause of the problem. When this occurs, the handset can no longer communicate with the base.

MEMORY STORAGE

The C4205 has ten (10) indirect, or two touch, memory storage locations on the telephone handset (0-9) that can be programmed to dial frequently called numbers of up to 16 digits.

Adding a Memory Location

1. Unit must be in standby mode only.
2. Press the MEM button.
3. Enter the telephone number you wish to store.
4. Press the MEM button.
5. Press the number on the dial pad that you wish to store the number to.
6. A long beep will indicate the programming process is complete.

During the memory storage process the TALK button will flash GREEN.

Use the RD/P button while entering the telephone number to insert a pause. Refer to the Pause Feature section on page 21.

Dialing a Memory Location

1. Press the TALK button.
2. Press the MEM button.
3. Press the number on the dial pad where the desired number has been stored.
4. The call will automatically dial.

Adding an EMERGENCY Number

1. Unit must be in standby mode only.
2. Press the MEM button.

3. Enter the telephone number you wish to store.
4. Press the MEM button.
5. Press the emergency button on the dial pad that you wish to store the number to.
6. A long beep will indicate the programming process is complete.

Dialing an EMERGENCY Number

1. Press the TALK button.
2. Press the EMERGENCY key you wish to call.

MAINTENANCE AND CARE

The C4205 has been designed to give you years of dependable service with a minimum of care. To ensure the utmost in performance, follow these guidelines in caring for the unit:

1. Avoid dropping or knocking the unit.
2. Dust the unit regularly. Wipe the unit with a soft damp cloth.
3. Do not use detergents and avoid excess moisture.
4. The C4205 is an electrical device. Avoid electric shock by keeping the phone away from water (i.e. bathroom, kitchen sink, etc.)

TROUBLESHOOTING

The unit will not operate/no dial tone:

- Verify the TALK Button is lit.
- Verify the AC Adapter is securely plugged into AC outlet, the base and the telephone.
- Verify the telephone line cord is securely plugged into the wall jack and the telephone.
- Make sure the base antenna is in an upright position.
- Make sure the handset battery is fully charged.
- Verify the telephone is in the correct dialing mode, tone (touch) or pulse (rotary).
- Make sure you are in the usable range of the base station.
- Reset the security code by placing the handset in the base for 5-10 seconds.

The phone does not ring when you receive a call:

- Make sure the RINGER switch on the handset and base are set to ON.
- Verify the AC Adapter is securely plugged into AC outlet, the base and the telephone.
- Verify the telephone line cord is securely

- plugged into the wall jack and the telephone.
- Make sure you are in the usable range of the base station.
- You may have too many extensions on your line. Try unplugging a few devices.

Noise, Static, Interference or Other Calls Heard while Using the Handset:

- Try changing channels.
- Make sure the base antenna is in an upright position.
- Make sure you are in the usable range of the base station.
- Make sure the handset battery is fully charged.
- Try relocating the base unit to another location.
- Make sure the AC Adapter is not plugged into the wall outlet with other appliances.

Phone Will Not Hold Charge:

- Make sure the charging contacts on the handset and base are free of dust and dirt. Clean the contacts with a soft cloth.
- Make sure CHARGE LED on the base is lit when handset is in the cradle.

- If necessary, replace the handset battery. (See Handset Battery Charging)

Difficulty in Placing or Receiving Calls:

- Move closer to the base and try again.
- If moving closer does not work, you may have lost the security code.
- Reset code by placing the handset back on the base for 5-10 seconds. (See Security Code Section)
- Make sure you have selected the correct dialing mode, tone or pulse.
- Make sure the AC Adapter is not plugged into a wall outlet with other appliances. Disconnect for 5-10 seconds then reconnect. Place the handset back on the base and reinsert the AC Adapter.
- Make sure the handset battery is fully charged.

CLARiTY[®] *Professional*

Clarity, a Division of Plantronics, Inc.
4289 Bonny Oaks Drive, Suite 106
Chattanooga, TN 37406
1-800-552-3368
www.clarityproducts.com

Made in China

©2005-2007 Clarity, a Division of Plantronics, Inc.
All rights reserved. Clarity, Clarity Professional,
C4205, Digital Clarity Power and DCP
are trademarks or registered trademarks of
Plantronics, Inc.

UG_100307_RevD

Free Manuals Download Website

<http://myh66.com>

<http://usermanuals.us>

<http://www.somanuals.com>

<http://www.4manuals.cc>

<http://www.manual-lib.com>

<http://www.404manual.com>

<http://www.luxmanual.com>

<http://aubethermostatmanual.com>

Golf course search by state

<http://golfingnear.com>

Email search by domain

<http://emailbydomain.com>

Auto manuals search

<http://auto.somanuals.com>

TV manuals search

<http://tv.somanuals.com>