

---

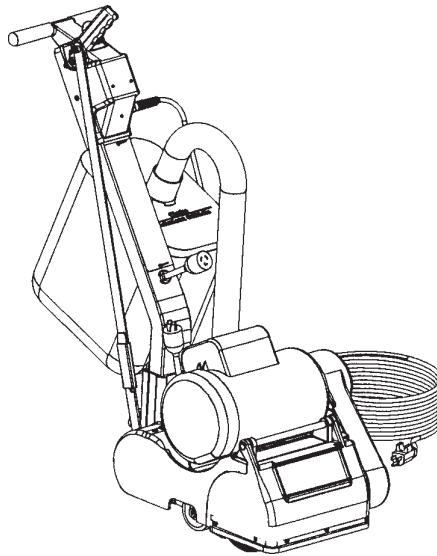
# Clarke®

---

# American Sanders

## EZ-8

## Sander



### Operator's Manual

### Manual del operador

### Manuel de l'utilisateur



**READ THIS BOOK**  
**LEA ESTE MANUAL**  
**LISEZ CE MANUEL**

**EN** English (2 - 13)  
**ES** Español (14 - 25)  
**FR** Français (26 - 37)

This book has important information for the use and safe operation of this machine. Failure to read this book prior to operating or attempting any service or maintenance procedure to your Clarke American Sanders machine could result in injury to you or to other personnel; damage to the machine or to other property could occur as well. You must have training in the operation of this machine before using it. If your operator(s) cannot read this manual, have it explained fully before attempting to operate this machine.

All directions given in this book are as seen from the operator's position at the rear of the machine.

For new books write to: Clarke®, 2100 Highway 265, Springdale, Arkansas 72764

## Contents of this Book

Operator Safety Instructions .....	3
Introduction and Machine Specifications .....	5
How to Transport the Machine .....	6
Machine Set-Up .....	7
How to Operate the Machine .....	9
Sanding Cuts and Sandpaper .....	10
Sander Adjustment Procedures .....	11
Routine Maintenance .....	12
Troubleshooting .....	13

### **Section II Parts and Service Manual**

Assembly Drawing #1 .....	40
Assembly Parts List #1 .....	41
Assembly Drawing #2 .....	42
Assembly Parts List #2 .....	43
Wiring Diagram .....	44

# OPERATOR SAFETY INSTRUCTIONS

<b>DANGER</b> means:	Severe bodily injury or death can occur to you or other personnel if the <b>DANGER</b> statements found on this machine or in this Operator's Manual are ignored or are not adhered to. Read and observe all <b>DANGER</b> statements found in this Operator's Manual and on your machine.
<b>WARNING</b> means:	Injury can occur to you or to other personnel if the <b>WARNING</b> statements found on your machine or in this Operator's Manual are ignored or are not adhered to. Read and observe all <b>WARNING</b> statements found in this Operator's Manual and on your machine.
<b>CAUTION</b> means:	Damage can occur to the machine or to other property if the <b>CAUTION</b> statements found on your machine or in this Operator's Manual are ignored or are not adhered to. Read and observe all <b>CAUTION</b> statements found in this Operator's Manual and on your machine.

 **DANGER:**



Failure to read the Operator's Manual before operating or servicing this sanding equipment could result in injury to the operator or to bystanders and could cause damage to the equipment. Read and observe all safety statements found in this manual and on the sanding equipment. Make sure all labels, decals, warnings, cautions and instructions are fastened to the equipment. Replace any that are damaged or missing. You must have training in the operation of this equipment before using it. **If the operator is unable to read this manual, have it explained fully before they attempt to use this equipment.**

 **DANGER:**



Sanding/finishing wood floors can create an environment that can be explosive. The following safety procedures must be adhered to:

- Cigarette lighters, pilot lights and any other source of ignition can create an explosion when active during a sanding session. All sources of ignition should be extinguished or removed entirely if possible from the work area.
- Work areas that are poorly ventilated can create an explosive environment when certain combustible materials are in the atmosphere, i.e., solvents, thinners, alcohol, fuels, certain finishes, wood dust and other combustible materials. Floor sanding equipment can cause flammable material and vapors to burn. Read the manufacturer's label on all chemicals used to determine combustibility. Keep the work area well ventilated.
- Spontaneous combustion or an explosion can occur when working with sanding dust. The sanding dust can self-ignite and cause injury or damage. Sanding dust should be disposed of properly. Always empty the sanding dust into a metal container that is located outside of any building(s).
- Remove the contents of the dust bag when the bag is 1/3 full. Remove the contents of the dust bag each time you finish using the equipment. Never leave a dust bag unattended with sanding dust in it.
- Do not empty the contents of the dust bag into a fire.
- Hitting a nail while sanding can cause sparks and create an explosion or fire. Always use a hammer and punch to countersink all nails before sanding floors.

**DANGER:**

Operating partially assembled sanding equipment could result in injury to the operator or bystander and could cause damage to the equipment or to other property.

- Do not operate this equipment unless it is fully assembled and all guards, doors and covers are secured.
- Keep all fasteners tight.
- Keep all adjustments within manufacturers specifications.

**DANGER:**

Moving parts on this sanding equipment can cause injury to the operator or bystanders.

- Keep hands, feet and loose clothing away from all moving parts.
- Do not change or adjust the abrasive while the sanding equipment is running.
- Do not service the sanding equipment while it is running.

**DANGER:**

This sanding equipment requires a supply of electricity. Improper use could result in electrical shock or fire.

- Connect only to an electrical source matching what is shown on the equipment nameplate.
- Do not use this sanding equipment on an ungrounded electrical circuit. Consult an electrician if you suspect the circuit is not properly grounded.
- Do not use this sanding equipment with a damaged electrical cord. Inspect before each use.
- Avoid striking the electrical cord with the abrasive. Always lift the electrical cord over the sanding equipment.
- Do not use the electrical cord to move the sanding equipment.
- Disconnect the electrical source before servicing this equipment.

**WARNING:**

In the event of a bag fire, injury can occur to the operator if the operator is tied or strapped to equipment. Use operating belt properly.

**WARNING:**

Injury to the operator or bystander can occur if protective gear is not worn while sanding. Always use eye, ear, and respiratory protection while performing any sanding operation.

**WARNING:**

This sander is not to be used on pressure treated wood. Some pressure treated woods contain arsenic and sanding pressure treated wood produces hazardous dust. Inhaling hazardous dust from pressure treated wood can cause serious injury or death. Sanding pressure treated wood decks or uneven surfaces can damage the sander which is not covered under warranty or damage waiver.

**WARNING:**

Bodily injury could occur if power is applied to the equipment with the power switch already in the "ON" position. Always check to assure that the power switch is in the "OFF" position before connecting power supply.

**CAUTION:**

Maintenance and repairs performed by unauthorized personnel could result in damage or injury. Maintenance and repairs performed by unauthorized personnel will void your warranty. Servicing of this unit must always be referred to an authorized Clarke American Sanders distributor.

**CAUTION:**

Use of this equipment to move other objects or to climb on could result in injury or damage. Do not use this equipment as a step or furniture. Do not ride on this equipment.

**CAUTION:**

Damage could occur to the equipment if not properly kept in a dry building for storage. Store the equipment in a dry building.

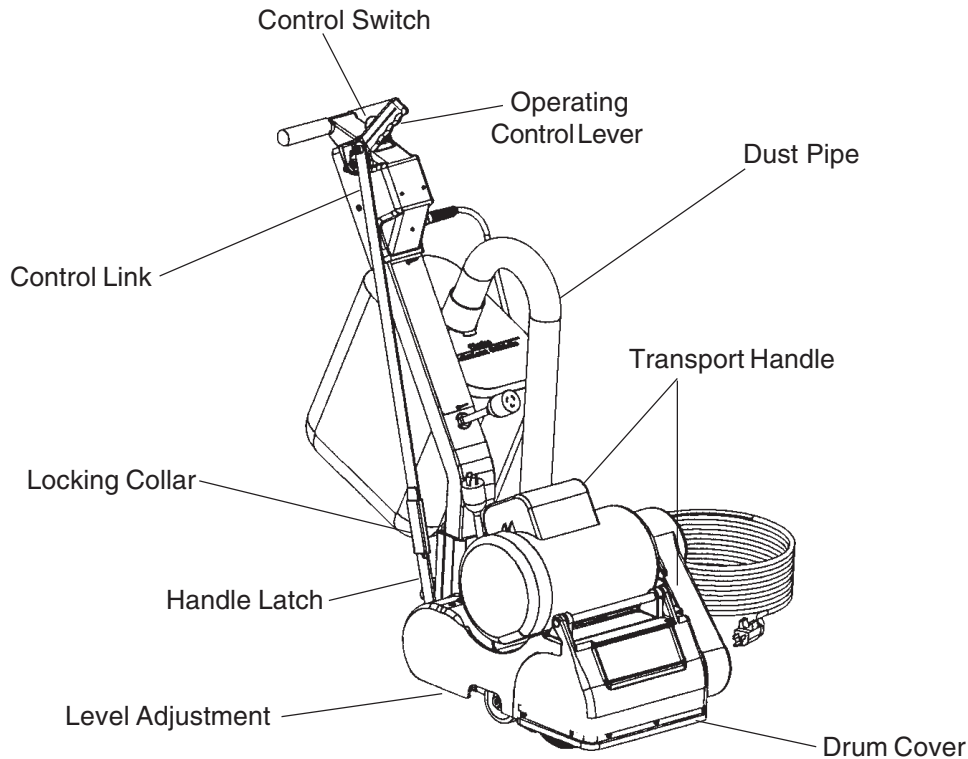
**CAUTION:**

The equipment is heavy. When transporting the equipment, remove the motor. Get help to lift the equipment and motor.

**CAUTION:**

Serious damage to the floor can occur if the sanding equipment is left running in one spot while the sanding drum is in contact with the floor. To avoid damage to the floor, feather cut in at a normal sanding rate. Do not dwell while lowering or raising the contact wheel. Always sand at a constant rate.

**Introduction & Machine Specifications**



Model	07057A	07058A	07059A	07060A
<b>Abrasive Size</b>	8 in x 19 <sup>3</sup> / <sub>16</sub> in sheet	8 in x 19 in sleeve	8 in x 19 <sup>3</sup> / <sub>16</sub> in sheet	8 in x 19 in sleeve
<b>Abrasive Rate</b>	2680 ft/min	2830 ft/min	2230 ft/min	2360 ft/min
<b>Drum Rate</b>	1800 RPM	1800 RPM	1500 RPM	1500 RPM
<b>Dust Control Rate</b>	76 CFM	76 CFM	64 CFM	64 CFM
<b>Drum Pressure</b>	25 lbs	25 lbs	25 lbs	25 lbs
<b>Leveling Controls</b>	Externally Adjustable	Externally Adjustable	Externally Adjustable	Externally Adjustable
<b>Operating Controls</b>	Lever Operated	Lever Operated	Lever Operated	Lever Operated
<b>Motor</b>	1½ HPTEFC Thermally Protected	1½ HPTEFC Thermally Protected	1½ HPTEFC Thermally Protected	1½ HPTEFC Thermally Protected
<b>Power Cable</b>	40' 12 Gauge Abrasive Resistant	40' 12 Gauge Abrasive Resistant	40' 12 Gauge Abrasive Resistant	40' 12 Gauge Abrasive Resistant
<b>Voltage/Frequency</b>	115 / 60	115 / 60	240 / 50	240 / 50
<b>Amperage</b>	12	12	6	6
<b>Dimensions (in)*</b>	21½x16x35½"	21½x16x35½"	21½x16x35½"	21½x16x35½"
<b>Weight (lbs)*</b>	125	125	125	125

\*Shipping Value

**CAUTION:** Your equipment may be inappropriate on some installations. Always consult with the flooring manufacturer on the proper installation, preparation, and finishing of their product. Determine suitability of your equipment in preparing the product.

**How to Transport the Machine**

**Transporting the Machine With Limited Cargo Area:**

To transport the machine, follow this procedure:

1. Lower sanding drum with control lever. See figure #1.
2. Slide collar beyond overlap of control link; remove pin from notch. See figure #2.
3. Twist and remove handle pigtail from motor cord. See figure #3.
4. Release handle latches and remove handle from chassis. See figure # 2.
5. Remove dust pipe from chassis.
6. Lift chassis with transport handles and place in cargo area. See figure # 4.

**⚠ WARNING: Machine is heavy (95 lbs.). To avoid injury or damage grasp transport handles firmly; use proper lifting technique.**

7. Secure chassis to prevent movement in cargo area. Place handle and dust pipe in cargo area.

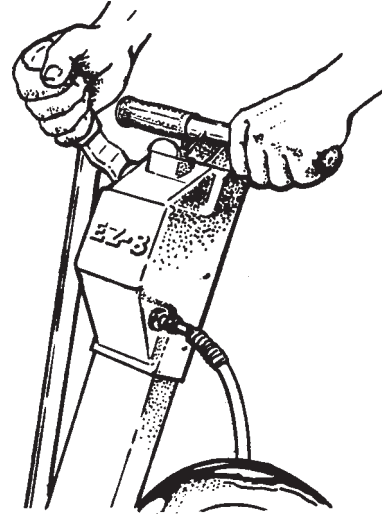


Figure # 1

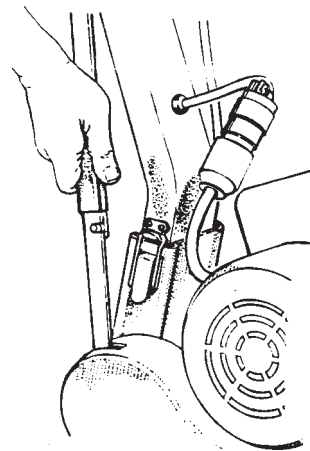


Figure # 2

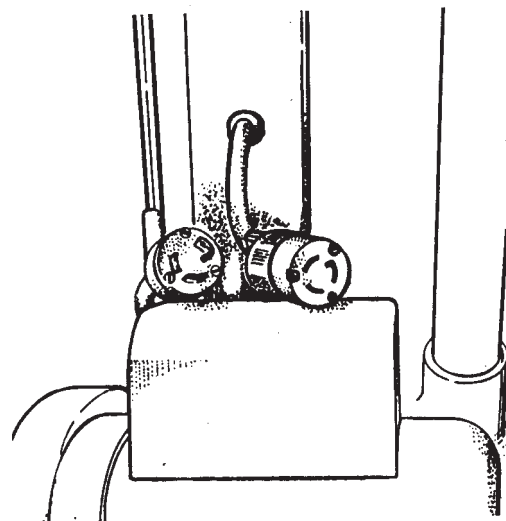


Figure # 3

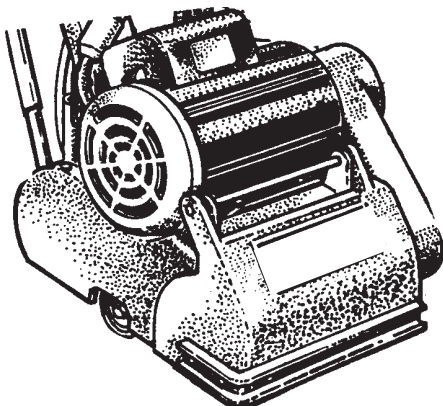


Figure # 4

## Machine Set-up

To set up the machine follow this procedure:

1. Familiarize yourself with the machine. Read all danger, warning, and caution statements as well as the Operator's Manual. If operator is unable to read English, have the manual explained before operating.
2. Install handle and fasten latches. See figure # 6.
3. Insert control link into notch and slide collar to pin. Raise sanding drum with control lever. See figure # 5 & # 6.
4. Install dust tube.
5. Connect the handle pigtail to the motor cord. Align ground pin, insert and twist. See figure # 7.
6. To install abrasive on sanding drum equipped with paper clamp: loosen screws to paper clamp with a coin. Do not remove screws or clamp from the sanding drum. Insert one edge of abrasive under paper clamp. Rotate sanding drum to wrap abrasive around drum. Insert other edge of abrasive under paper clamp. Center abrasive and take up any slack in the abrasive. Tighten screws on paper clamp. Close drum cover. See figure # 8.

To install abrasive on sanding drum equipped for sleeve abrasive: slide abrasive over drum, center abrasive, and close drum cover.

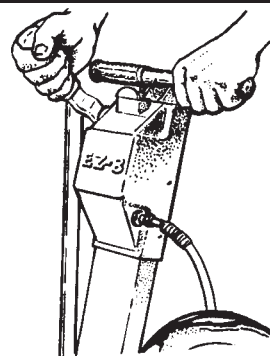


Figure # 5

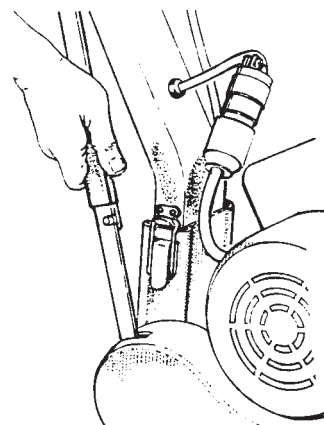


Figure # 6

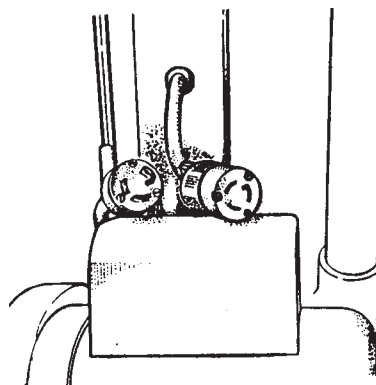


Figure # 7

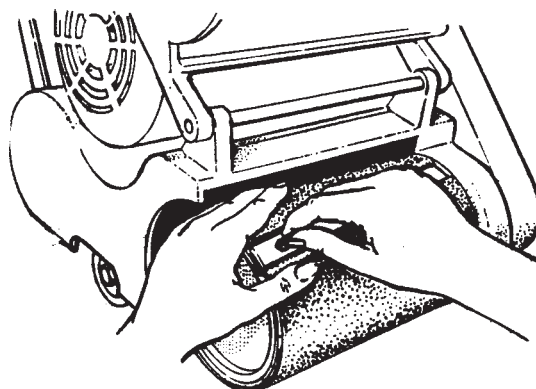


Figure # 8



**MACHINE SET-UP**

7. This sanding machine is designed to be operated with a remote vacuum dust collection system or with the included dust bag. Follow the procedures below:

**Preparing Remote Vacuum Dust Collection Systems**

To prepare the machine for remote vacuum dust collection systems that have a 2" hose end, follow this procedure:

1. Install 2" hose end (figure 9, A) directly over the exhaust tube (figure 9, B).
2. The exhaust tube can be rotated for optimum convenience.

To prepare the machine for remote vacuum dust collection systems that have a 1 ½" hose end, follow this procedure:

1. Install the 2" x 1½" hose end adaptor (Part No. 30563A) (figure 9, C) over the exhaust tube (figure 9, B).
2. Insert 1 ½" hose end (figure 9, D) into the adaptor (figure 9, C).

NOTE: Start the remote vacuum collection system before operation.

**Preparing to use the included dust bag**

To prepare the machine for use with the included dust bag, follow this procedure:

1. Install the dust bag by pressing the end onto the exhaust tube until the ring locks into the groove (figure 10). This is best done by pressing on the back of the bag opening with the palm of your hand.
2. The exhaust tube can be rotated for optimum convenience.
3. To remove the dust bag from the exhaust tube, pry up the end of the bag opening to partially release the internal rib from the groove, then pull.
4. To empty the dust bag, unzip the disposal flap and force contents out by inverting the bag.

NOTE: For best results, empty frequently. Follow all warnings posted in this manual and on the dust bag.

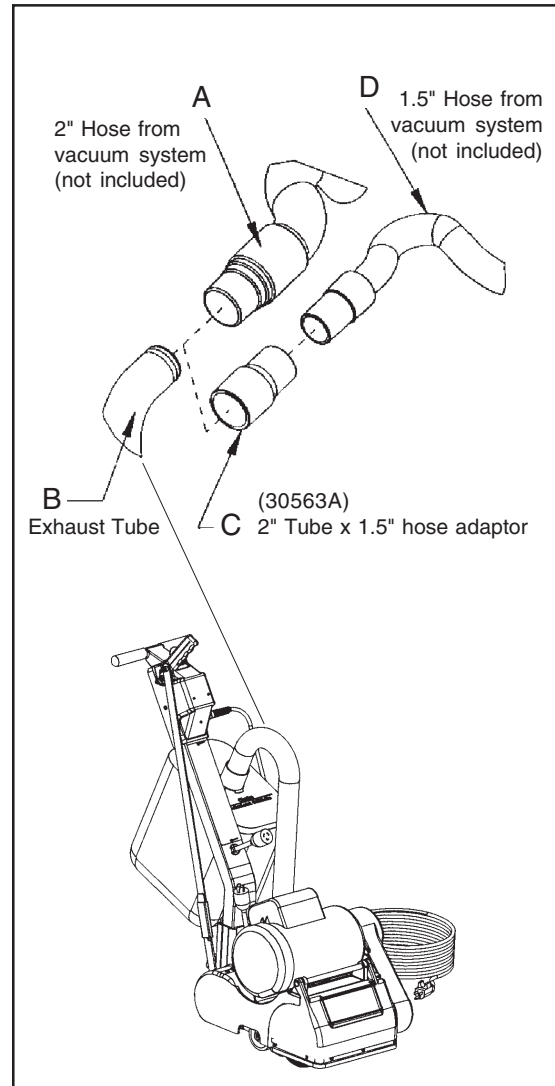


Figure 9

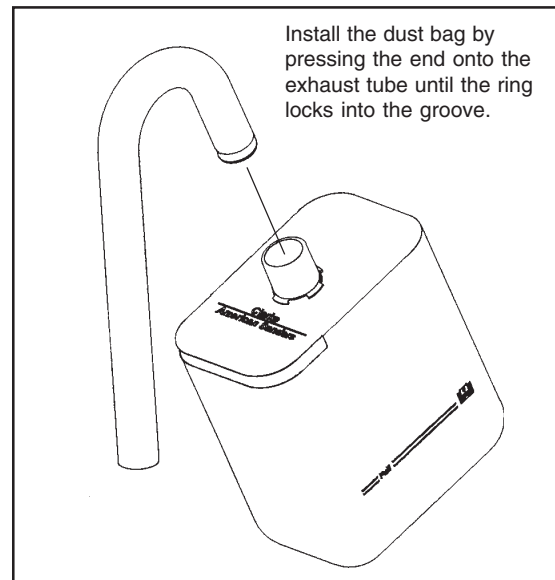


Figure 10



## How to Operate the Machine

To operate the machine follow this procedure:

1. Set any exposed nails with a hammer and punch to avoid encounter with sanding drum. Connect the machine to an appropriate grounded and fused circuit (power supply). Press the selector switch to the start (S) position. Once started, allow switch to return to run (R) position.

**CAUTION:** To prevent damage to the surface, make sure the machine is always moving when the sanding drum is in contact with the floor.

2. Work right to left. For each forward pass, move the machine 4" over the pass you have just finished. Retrace your reverse path without overlapping. See figure # 11
3. Feather-cut in by easing the sanding drum down onto the surface with the control lever while the sander is in motion.
4. When sanding drum is fully engaged with the surface, release control lever and adjust your pace for adequate stock removal. Keep sander in motion while the sanding drum is engaged with the surface or dwell marks will occur.
5. Move the machine in the direction of the grain in the wood whenever possible. Sand the surface at a constant pace.
6. Gradually feather-cut out at the termination point (the end of your pass) by easing the sanding drum up with the control lever. Stagger the termination points for a better blend when edging. See figure # 11.
7. When replacing abrasive, emptying contents of dust bag, or when sanding operation is completed, press selector switch to off (O) position. Disconnect the machine from the power supply.
8. Empty dust bag whenever it is 1/3 full. Never leave a dust bag unattended with sanding dust in it. Sanding dust can spontaneously ignite and cause a fire or explosion. Empty dust into a metal container clear of any combustible material.

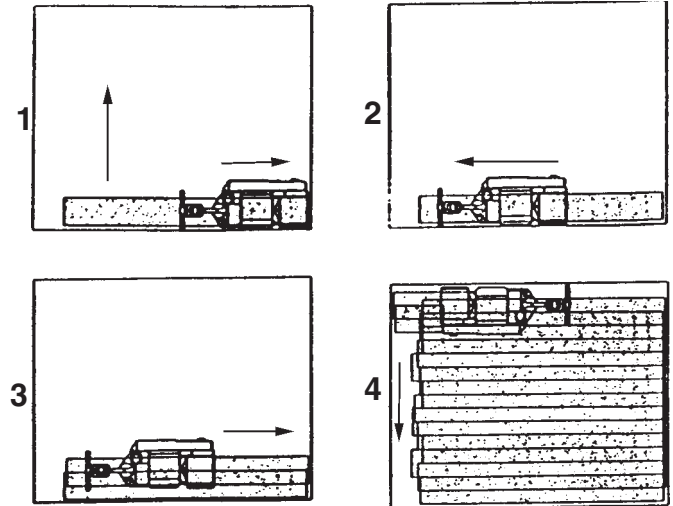


Figure 11

## Sanding Cuts and Sandpaper

### Initial Cut

The purpose of the initial cut is to remove old finish and gross imperfections on the floor surface. A coarse abrasive should be used. If the surface is severely damaged by deep scratches, pre-existing dwell marks, uneven planks, etc., it may be necessary to sand across or diagonally to the grain to restore evenness to the surface. If these conditions are not present, the initial cut should be done in the direction of the grain.

If glazing, loading, or burning takes place immediately into an initial cut, select a coarser abrasive. If this should occur during an initial cut, the abrasive has dulled and must be replaced.

### Final Cuts

The purpose of a finishing cut is to remove the scratches produced during the initial cut. Use a fine (60 - 80 grit) grain abrasive.

If the surface remains rough after a finishing cut, it may be necessary to use an even finer grain of abrasive (80 - 100 grit). Care should be taken in selecting the grit size of the abrasive. A very fine grain will close the pores on a wood floor making admission of a stain difficult.

If glazing or burning should occur immediately into a finishing cut, increase pace. If it should occur during a finishing cut, the abrasive has dulled and must be replaced.

Grain	Use	8 x 18 <sup>19</sup> / <sub>32</sub> Sheet Part No./ Cnt.	8x 19 Sleeve Cloth Back Part No./Cnt.	8 x 18 <sup>55</sup> / <sub>64</sub> Sleeve Paper Back Part No./Cnt.
12 grit 16 grit 20 grit 24 grit	For removing gross imperfections and restore evenness to old flooring. To remove build-up of paints and varnishes	945390/25 945391/25 945392/25 —— —	—— — —— — —— — 945930/10	—— — —— — —— — 945416/10
36 grit 40 grit	For the first sanding of new flooring (maple, oak). For removing minor imperfections and finishes from old flooring.	945395/25 —— —	—— — 945933/10	—— — 945418/10
50 grit	For first sanding of new flooring (cedar, pine, fir) For clean-up of 16 grit.	945397/25	—— —	—— —
60 grit	For clean-up from initial cut 36 grit.	945398/25	945935/10	945420/10
80 grit	For final sanding of certain hardwoods. For clean-up of initial cuts (50 grit).	945399/25	945936/10	945421/10
100 grit	For final sanding of certain hardwoods and conifers where a smooth surface is desired.	945400/25	945937/10	945422/10

## Sander Adjustment Procedures

**⚠ DANGER:** Electrocutation could occur if maintenance and repairs are performed on a unit that is not properly disconnected from the power source. Disconnect the power supply before attempting any maintenance or service.

**⚠ DANGER:** Moving parts of this machine can cause serious injury and/or damage. Keep hands, feet and loose clothing away from all moving parts of the sander.

The following information provides details on how to adjust different features/controls of the sander.

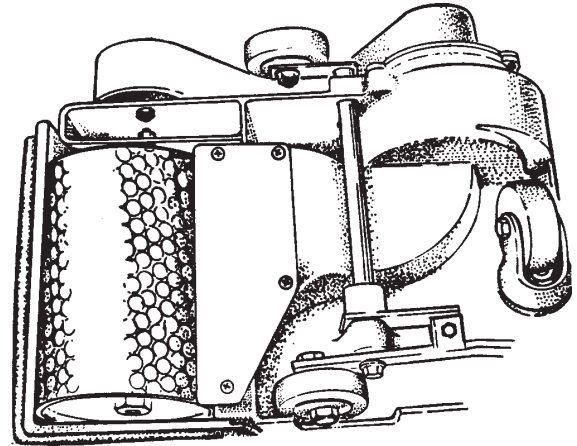


Figure # 12

### Dust Shoe

To adjust the dust shoe follow this procedure:

1. Disconnect machine from power supply.
2. Loosen the four screws fastening the dust shoe to the chassis.
3. Adjust the dust shoe towards the drum to improve recovery of fine particles.
4. Adjust the dust shoe away from the drum to improve recovery of coarse particles.
5. Align the dust shoe with the drum and tighten screws. See figure # 12.

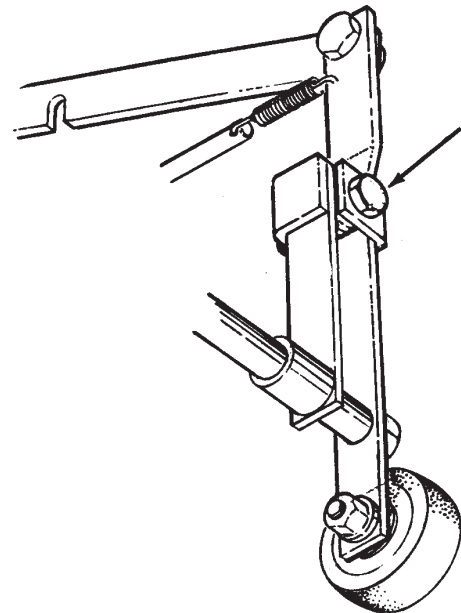


Figure # 13

### Leveling

To adjust the machine leveling follow this procedure:

1. Locate the leveling screw. See figure # 13.
2. Tighten the screw (compress the leveling spring) to sand heavier on drive belt side of sanding drum.
3. Loosen the leveling screw (relax the leveling spring) to sand heavier on the side opposite the drive belts.

## Routine Maintenance

The following items need to be periodically inspected and maintained to keep your sander in good working condition.

### Sanding Chamber

Periodically blow out the sanding chamber to prevent large accumulations of debris which could interfere with the performance of the dust recovery system.

### Wheels

Periodically remove the debris from the truck and caster wheels. Debris can cause waves on a sanded surface.

### Dust Bag

Remove the dust bag from the machine and shake it thoroughly to remove the sanding dust from the dust bag. Turn the dust bag inside out and machine wash in cold water to prevent pore blockage and loss of dust recovery.

### Drive Belt

Periodically check the drive belts for broken cogs or frayed edges. Frayed edges may indicate poor tracking. Realign effected belt.

### Bearings

Periodically check the bearings for wear or damage according to the following schedule.

<i>Arbor shaft</i>	Relubricate every 150 hrs. w/.10 oz. of a NLGI grade 2, -30°F to 250°F, 58-75 SUS at 210° F, grease lubricant.
<i>Motor shaft</i>	after 1 <sup>st</sup> 5000 hrs.
<i>Fan shaft</i>	After first 1500 hrs.

**Troubleshooting**

Problem	Cause	Action
Drive belts jump teeth or squeak.	Damaged belt. Insufficient tension. Poor belt tracking.	Replace belt. Tension drive belt. Align Pulley.
Squealing, growling or grinding noise coming from machine.	Damage and/or worn bearing.	Remove drive belts, rotate arbor motor and fan shafts to locate dragging or rough bearing. Contact an authorized Clarke American Sanders dealer.
Dust pick-up is poor.	Dust bag is over 1/3 full. Dust bag is dirty. Dust shoe is improperly adjusted. Dust chute is obstructed.	Empty contents of bag. Shake debris from bag and wash. Readjust dust shoe. Remove dust shoe and clear throat.
Motor will not start.	Defective motor starter. Defective start capacitor. Defective start switch. Poor connections. Motor overload tripped. Defective motor. No power.	Contact an authorized Clarke American Sanders dealer. Contact an authorized Clarke American Sanders dealer. Contact an authorized Clarke American Sanders dealer. Check connections. Remove power. Depress reset button on motor Contact an authorized Clarke American Sanders dealer. Check power supply and connections.
Motor runs sluggishly.	Low voltage from excessive length, undersized extension cord, or poor connection. Defective run capacitor. Defective motor.	Locate power source nearer to work site. Check connections. Contact an authorized Clarke American Sanders dealer. Contact an authorized Clarke American Sanders dealer.
Motor overload trips/repeatedly trips	Low voltage from excessive length, undersized extension cord, or poor connection. Excessive load. Defective start switch. Defective motor starter. Defective motor. Defective capacitor.	Remove power, allow motor to cool. Depress reset button on motor. Locate power source nearer to worksite. Check connections. Contact an authorized Clarke American Sanders dealer. Contact an authorized Clarke American Sanders dealer. Contact an authorized Clarke American Sanders dealer. Contact an authorized Clarke American Sanders dealer. Contact an authorized Clarke American Sanders dealer. Contact an authorized Clarke American Sanders dealer.
Uneven cut.	Leveling out of adjustment.	Readjust leveling.
Burning or glazing.	Dull abrasive. Too fine of an abrasive.	Replace abrasive. Use a coarser abrasive.
Waves on sanded surface.	Debris on wheels. Flat spot on tire(s).	Remove and clean wheels. Replace tires.

**LEA ESTE MANUAL**

Este manual contiene información importante acerca del uso y la seguridad de la máquina. Si no lee el manual antes de utilizar su máquina Clarke American Sanders o de intentar realizar los procedimientos de reparación o mantenimiento de la misma, usted o el resto del personal podrían sufrir lesiones; asimismo, podrían producirse daños a la máquina o a otras propiedades. Antes de utilizar la máquina, es necesario recibir la capacitación adecuada en la operación de la misma. Si el operador de la máquina no sabe leer en español, explíquelo el manual exhaustivamente antes de que intente utilizarla.

Todas las indicaciones incluidas en este manual se ofrecen desde la posición del operador en la parte posterior de la máquina.

Si desea conseguir nuevos manuales, escriba a: Clarke®, 2100 Highway 265, Springdale, Arkansas 72764.

Instrucciones de seguridad para el operador .....	15
Introducción y especificaciones de la máquina .....	17
Cómo transportar la máquina .....	18
Instalación de la máquina .....	19
Operación de la máquina .....	21
Cortes de lija y papel de lija .....	22
Procedimientos de ajuste de la lijadora .....	23
Mantenimiento de rutina .....	24
Resolución de problemas .....	25

**Sección II Repuestos y manual de servicio**

Plano de montaje #1 .....	40
Listado de piezas de montaje #1 .....	41
Plano de montaje #2 .....	42
Listado de piezas de montaje #2 .....	43
Plano de cableado.....	44

# INSTRUCCIONES DE SEGURIDAD PARA EL OPERADOR

**PELIGRO** significa: Usted u otras personas pueden estar expuestos a sufrir lesiones personales, inclusive la muerte si las indicaciones de **PELIGRO** que se encuentran en esta máquina o en el manual de instrucciones se ignoran o no se tienen en cuenta. Lea y respete todas las indicaciones de **PELIGRO** que se encuentran en el manual de instrucciones y en la máquina.

**ADVERTENCIA** significa: Usted u otras personas pueden estar expuestos a sufrir lesiones personales, si las indicaciones de **ADVERTENCIA** que se encuentran en esta máquina o en el manual de instrucciones se ignoran o no se tienen en cuenta. Lea y respete todas las indicaciones de **ADVERTENCIA** que se encuentran en el manual de instrucciones y en su máquina.

**PRECAUCIÓN** significa: La máquina u otros bienes pueden sufrir daños materiales si las indicaciones de **PRECAUCIÓN** que se encuentran en la máquina o en el manual de instrucciones se ignoran o no se tienen en cuenta. Lea y respete todas las indicaciones de **PRECAUCIÓN** que se encuentran en el manual de instrucciones y en la máquina.

 **PELIGRO:**



En caso de que no se lea el manual de instrucciones antes de operar este equipo de lijado o realizar el mantenimiento del mismo podría resultar en que el operador u otras personas en el área sufriesen lesiones personales y el equipo podría sufrir daños materiales. Lea y respete todas las indicaciones de seguridad que se encuentran en este manual y en el equipo de lijado. Asegúrese que todas las etiquetas, calcomanías, advertencias, precauciones e instrucciones estén adheridas a la máquina. Reemplace cualquier indicación que esté dañada o falte. Antes de utilizar el equipo, es necesario recibir la capacitación adecuada en la operación del mismo. **Si el operador no puede leer este manual, explíquese exhaustivamente antes que intente utilizar este equipo.**

 **PELIGRO:**



El lijado/acabado de pisos de madera puede crear un entorno que puede ser explosivo. Se deberán tener en cuenta los siguientes procedimientos de seguridad:

- Los encendedores, las lámparas indicadoras y cualquier otra fuente de ignición pueden provocar una explosión si se activan durante una sesión de lijado. Si es posible, apague o retire por completo todas las fuentes de ignición del área de trabajo.
- Las áreas de trabajo que estén muy poco ventiladas pueden crear un entorno explosivo cuando se encuentran determinados materiales combustibles en la atmósfera: por ejemplo, solventes, diluyentes, alcoholes, combustibles, ciertos acabados, polvo de madera y otros materiales combustibles. El equipo de lijado de pisos puede provocar la combustión de los materiales y vapores inflamables. Lea la etiqueta del fabricante sobre todas las sustancias químicas utilizadas para determinar su combustibilidad. Mantenga el área de trabajo bien ventilada.
- Pueden producirse una combustión espontánea o una explosión cuando se trabaja con polvo de lijado. El polvo de lijado puede auto-encenderse, provocando lesiones personales y daños materiales. Deshágase del polvo de lijado de una manera adecuada. Vacíe siempre el polvo de lijado dentro de un recipiente de metal que esté localizado fuera del edificio.
- Extraiga el contenido de la bolsa de polvo cuando la misma esté llena a 1/3. Extraiga el contenido de la bolsa de polvo cada vez que termine de usar el equipo. Nunca deje la bolsa sin vigilancia cuando haya polvo de lijado en la misma.
- No vacíe el contenido de la bolsa de polvo en el fuego.
- Golpear un clavo cuando se lija puede causar chispas y crear una explosión o un incendio. Utilice siempre un martillo y perfore para avellanar todos los clavos antes de lijar los pisos.





**PELIGRO:**

La operación de equipo de lijado parcialmente ensamblado podría provocar que el operador o las personas en el área de trabajo sufriesen lesiones, y también podría causar daños materiales al equipo o a otros bienes.

- No opere este equipo a menos que esté totalmente ensamblado y que todas las protecciones, puertas y tapas estén bien aseguradas en su lugar.
- Mantenga todas las sujeciones apretadas.
- Mantenga todos los ajustes dentro de las especificaciones del fabricante.



**PELIGRO:**



Las partes móviles de este equipo de lijado pueden causar lesiones al operador o a las personas que se encuentren en el área de trabajo.

- Mantenga las manos, los pies y la vestimenta suelta alejados de todas las partes móviles.
- No cambie ni ajuste el abrasivo mientras el equipo de lijado esté en funcionamiento.
- No realice ningún servicio de reparación o mantenimiento al equipo de lijado mientras esté en funcionamiento.



**PELIGRO:**



Este equipo de lijado requiere un suministro de electricidad. El uso inadecuado podría provocar una descarga eléctrica o un incendio.

- Conecte únicamente a un suministro eléctrico que coincida con lo que se muestra en la placa de identificación del equipo.
- No utilice este equipo de lijado sobre un circuito eléctrico sin conexión a tierra. Consulte con un electricista si sospecha que el circuito no está adecuadamente conectado a tierra.
- No utilice este equipo de lijado con un cable eléctrico dañado. Inspecciones antes de cada uso.
- Evite golpear el cable eléctrico con el abrasivo. Eleve siempre el cable eléctrico sobre el equipo de lijado.
- No utilice el cable eléctrico para mover el equipo.
- Desconecte el suministro eléctrico antes de realizar un servicio de reparación o mantenimiento al equipo.



**ADVERTENCIA:**



En el caso de que la bolsa se prenda fuego, el operador puede resultar lesionado si está atado o sujeto al equipo. Utilice el cinturón operativo adecuadamente.



**ADVERTENCIA:**



Si no se utilizan los dispositivos de protección personal correctos mientras se realiza el lijado, el operador o cualquier persona en el área de trabajo pueden sufrir lesiones. Utilice siempre protección respiratoria, ocular y auditiva mientras realice una operación de lijado.



**ADVERTENCIA:**



La pulidora no debe utilizarse sobre madera tratada a presión. Algunas maderas tratadas a presión contienen arsénico y si se pule madera tratada a presión produce un polvo nocivo. La inhalación de polvo nocivo de madera tratada a presión puede causar lesiones serias o la muerte. Pulir plataformas o superficies irregulares de madera tratada a presión puede dañar la Pulidora ques no está cubierto por la garantía ni por la Renuncia de Daños.



**ADVERTENCIA:**

Pueden producirse lesiones personales si se aplica potencia al equipo con el interruptor de alimentación ya situado en la posición "ON" (Encendido). Asegúrese siempre de que el interruptor de alimentación esté en la posición "OFF" (Apagado) antes de conectar la fuente de alimentación.



**PRECAUCIÓN:**

El mantenimiento y las reparaciones realizados por personal no autorizado podrían producir daños materiales o lesiones personales. El mantenimiento y las reparaciones realizadas por personal no autorizado anularán su garantía. El mantenimiento y las reparaciones de esta unidad siempre deben ser realizados por un distribuidor autorizado de Clarke American Sanders.



**PRECAUCIÓN:**

Si utiliza este equipo para desplazar otros objetos o para subirse al mismo se pueden producir lesiones o daños. No utilice este equipo como escalera ni como mueble. No se suba al equipo.



**PRECAUCIÓN:**

Si el equipo no se guarda correctamente en un edificio sin humedad podría resultar dañado. Guarde el equipo en un lugar seco.



**PRECAUCIÓN:**

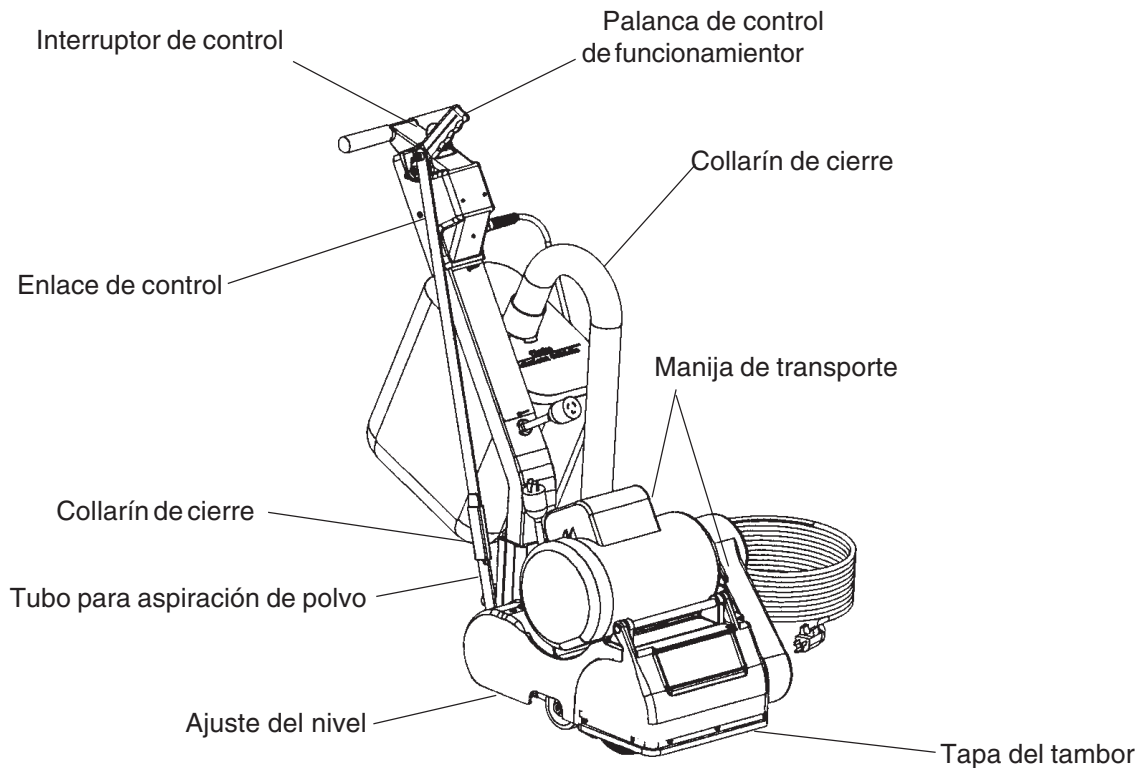
El equipo es pesado. Cuando transporte el equipo, extraiga el motor. Consiga ayuda para elevar el equipo y el motor.



**PRECAUCIÓN:**

Se puede causar un daño grave al piso si el equipo de lijado se deja funcionando en un lugar mientras el tambor de lijado está en contacto con el piso. Para evitar dañar el piso, comience a lijar a una velocidad de lijado normal. Cuando baje o eleve la rueda de contacto, hágalo en el menor tiempo posible. Lije siempre a una velocidad constante.

## Introducción y especificaciones de la máquina



Model	07057A	07058A	07059A	07060A
<b>Tamaño de abrasivo</b>	20.3 x 48.4 cm la hoja	20.3 x 48.2 cm la manga	20.3 x 48.4 cm la hoja	20.3 x 48.2 cm la manga
<b>Tasa de abrasivo</b>	2680 pies/min	2830 pies/min	2230 pies/min	2360 pies/min
<b>Tasa del tambor</b>	1800 RPM	1800 RPM	1500 RPM	1500 RPM
<b>Tasa de control del polvo</b>	76 CFM	76 CFM	64 CFM	64 CFM
<b>Presión del tambor</b>	11.4 kg	11.4 kg	11.4 kg	11.4 kg
<b>Controles de nivelación</b>	Adjustables externamente	Adjustables externamente	Adjustables externamente	Adjustables externamente
<b>Controles operativos</b>	Mango ajustable	Mango ajustable	Mango ajustable	Mango ajustable
<b>Motor</b>	1.5 HPTEFC	1.5 HPTEFC	1.5 HPTEFC	1.5 HPTEFC
<b>Cable de alimentación</b>	40 pies 12 gauge, resistente a la abrasión	40 pies 12 gauge, resistente a la abrasión	40 pies 12 gauge, resistente a la abrasión	40 pies 12 gauge, resistente a la abrasión
<b>Tensión (V) / Frecuencia (Hz)</b>	115 / 60	115 / 60	240 / 50	240 / 50
<b>Corriente (A)</b>	12	12	6	6
<b>Dimensiones (cm)*</b>	55 x 41 x 90	55 x 41 x 90	55 x 41 x 90	55 x 41 x 90
<b>Weight (kg)*</b>	59.7	59.7	59.7	59.7

\*Valor de envío

**⚠ PRECAUCIÓN:** Su equipo puede ser inadecuado para algunas instalaciones. Consulte siempre con el fabricante del piso sobre la instalación, preparación y acabado correctos de su producto. Determine si su equipo es adecuado al preparar el producto.

## Cómo transportar la máquina

### Transporte de la máquina con carga limitada:

Para mover la máquina siga este procedimiento:

1. Baje el tambor de lijado con la palanca de control. Consulte la figura 1.
2. Deslice el collarín más allá del solapamiento del enlace de control; retire la clavija de la ranura. Consulte la figura 2.
3. Tuerza y retire del cable del motor el cable flexible de la manija. Consulte la figura 3.
4. Suelte los seguros de la manija y retire la manija del chasis. Consulte la figura 2.
5. Retire el tubo de aspiración de polvo del chasis.
6. Levante el chasis con las manijas de transporte y colóquelo en el brea de carga. Consulte la figura 4.

**⚠ ADVERTENCIA:** La máquina es pesada (43,2 kg). Para evitar lesiones o daños sujete las manijas de transporte con firmeza; use técnicas adecuadas de elevación.

7. Asegure el chasis para evitar movimientos en el brea de carga. Coloque la manija y el tubo de aspiración de polvo en el brea de carga.

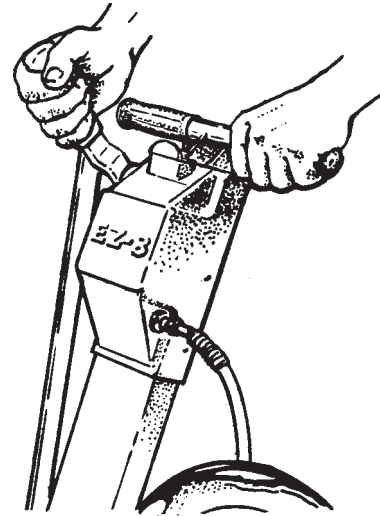


Figura 1

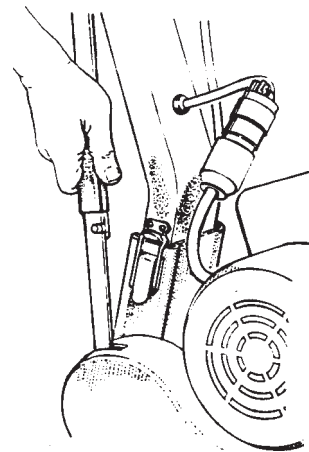


Figura 2

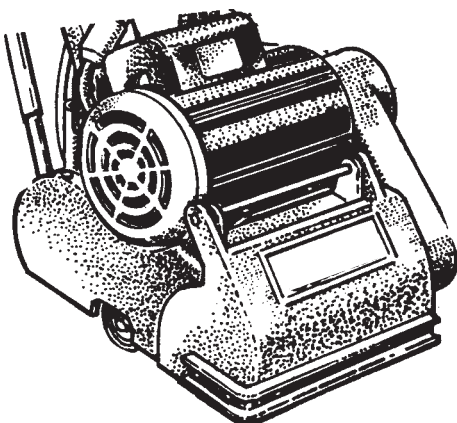


Figura 4

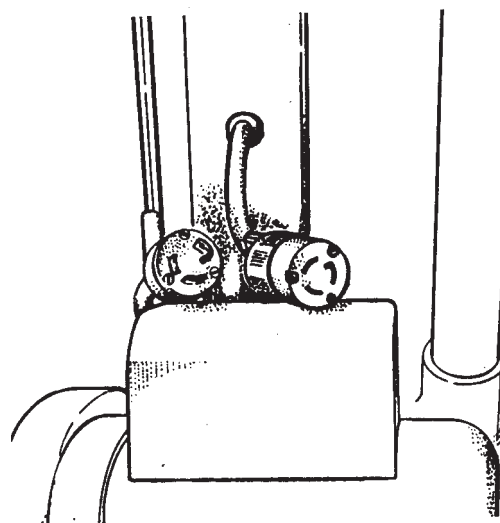


Figura 3

## Instalación de la máquina

Para instalar su máquina siga este procedimiento:

1. Familiarícese con la máquina y lea todas las indicaciones de peligro, advertencia y precaución. Asegúrese de que todos los operadores de la máquina hayan leído este manual de instrucciones. Si ellos no pueden leer este manual, explíqueles el mismo por completo antes de permitirles operar la lijadora.
2. Instale la manija y fije los seguros. Consulte la figura 6
3. Inserte el enlace de control en la ranura y deslice el collarín hasta la clavija. Levante el tambor de lijado con la palanca de control. Consulte las figuras 5 & 6.
4. Instale el tubo de aspiración de polvo.
5. Conecte el cable flexible de la manija al cable del motor. Alinee la clavija de tierra, insértela y tuerzáala. Consulte la figura 7.
6. Para instalar el abrasivo sobre el tambor de lijado equipado con abrazadera de papel: afloje los tornillos de la abrazadera de papel con una moneda. No retire los tornillos ni la abrazadera del tambor de lijado. Inserte un borde del abrasivo debajo de la abrazadera de papel. Rote el tambor de lijado para envolver el abrasivo alrededor del tambor. Inserte otro borde del abrasivo debajo de la abrazadera de papel. Centre el abrasivo y ajuste cualquier holgura del abrasivo. Ajuste los tornillos en la abrazadera de papel. Cierre la cubierta del tambor. Consulte la figura 8.

Para instalar el abrasivo sobre el tambor de lijado equipado para el abrasivo de manguito: deslice el abrasivo sobre el tambor, centre el abrasivo, y cierre la cubierta del tambor.

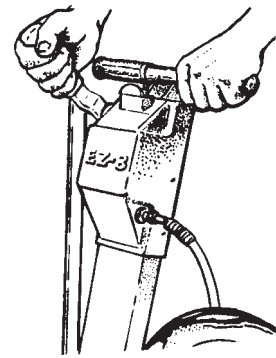


Figura 5

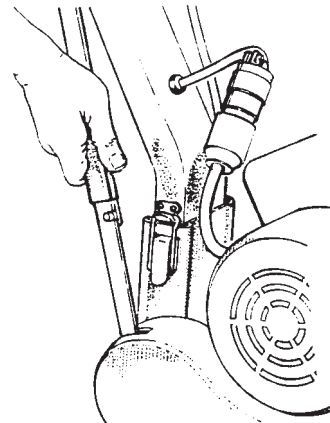


Figura 6

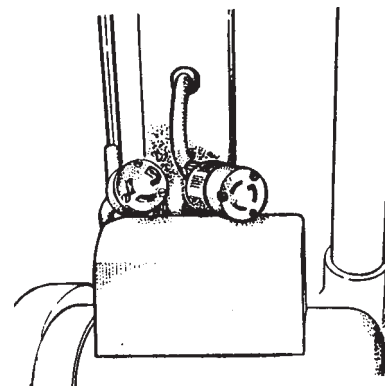


Figura 7

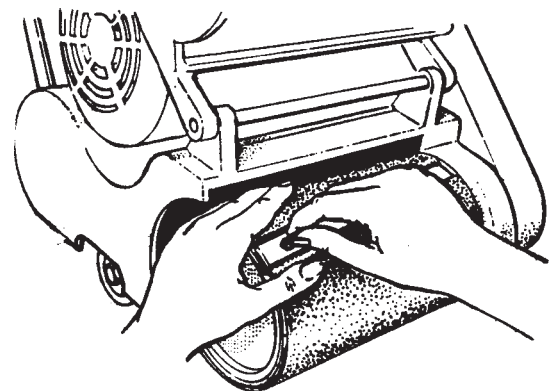


Figura 9

**Instalación de la máquina**

7. Esta lijadora está diseñada para utilizarse con un sistema colector de polvo remoto mediante vacío o con la bolsa de polvo incluida. Siga este procedimiento:

**Preparación de los sistemas colectores de polvo remotos mediante vacío**

Si desea preparar la máquina para sistemas colectores de polvo remotos mediante vacío que tengan un extremo de manguera de 2", siga este procedimiento:

1. Instale el extremo de manguera de 2" (figura 9, A) directamente sobre el tubo de escape (figura 9, B).
2. El tubo de escape puede girarse para mayor comodidad.

Si desea preparar la máquina para sistemas colectores de polvo remotos mediante vacío que tengan un extremo de manguera de 1 1/2", siga este procedimiento:

1. Instale el adaptador del extremo de manguera de 2" x 1 1/2" (Nº de pieza 30563A) (figura 9, C) sobre el tubo de escape (figura 9, B).
2. Inserte el extremo de manguera de 1 1/2" (figura 9, D) en el adaptador (figura 9, C).

NOTA: Ponga en marcha el sistema colector remoto mediante vacío antes de encender la máquina.

**Preparación para usar la bolsa de polvo incluida**

Si desea preparar la máquina para su uso con la bolsa de polvo incluida, siga este procedimiento.

1. Instale la bolsa de recolección de polvo presionando el extremo del tubo de escape hasta que el anillo encaje dentro de la ranura (figura 10). El mejor modo de hacer esto es presionando la parte posterior de la abertura de la bolsa con la palma de su mano.
2. El tubo de escape puede girarse para mayor comodidad.
3. Para retirar la bolsa de polvo del tubo de escape, haga palanca hacia arriba en el extremo de la abertura de la bolsa para liberar parcialmente el saliente interno de la ranura, y después tire.
4. Para vaciar la bolsa de polvo, abra la aleta de vaciado y saque sus contenidos dando la vuelta a la bolsa.

NOTA: Para lograr los mejores resultados, vacíe frecuentemente. Siga todas las advertencias incluidas en el manual y en la bolsa de polvo.

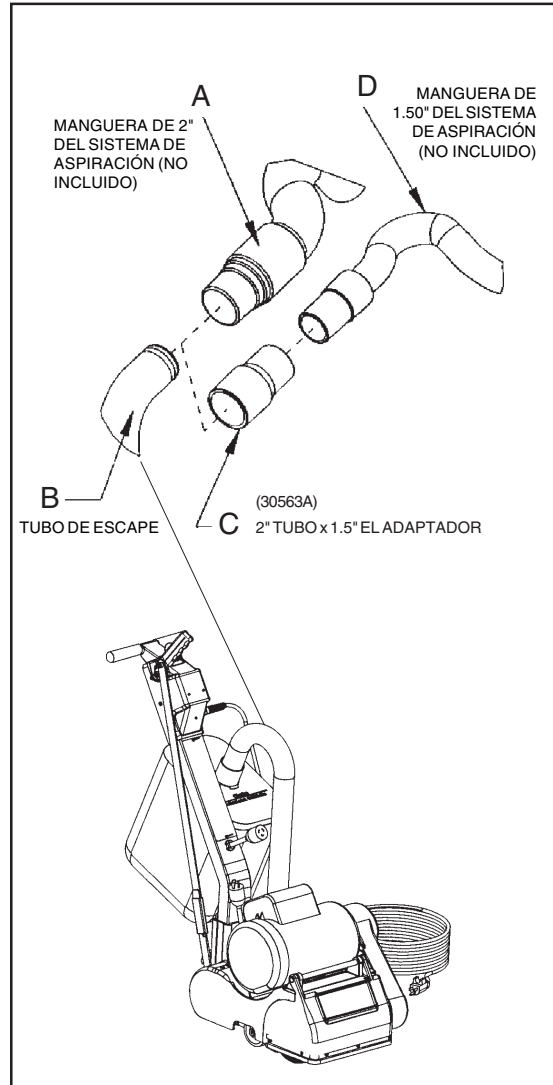


Figura 9

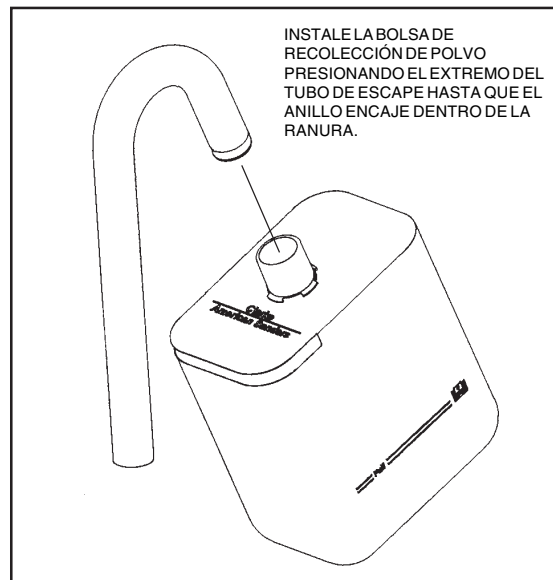


Figura 10

## Operación de la máquina

Para operar la máquina siga este procedimiento:

1. Fije cualquier clavo expuesto con un martillo y embutidor para evitar que se tope con el tambor de lijado. Conecte la máquina a un circuito apropiado con descarga a tierra y fusibles (fuente de alimentación). Presione el interruptor selector en la posición (S) (arranque). Después del arranque, deje que el interruptor vuelva a la posición (R)(funcionamiento).

**⚠ PRECAUCIÓN:** Para evitar daño a la superficie, asegúrese de que la máquina siempre se esté moviendo cuando el tambor de lijado esté en contacto con el piso.

2. Trabaje de derecha a izquierda. Por cada paso hacia delante, mueva la máquina 4" por encima del trayecto que acaba de completar. Retroceda marcha atrás sin solapamiento. Consulte la figura 11
3. Comience el trabajo bajando el tambor de arenado hacia la superficie con la palanca de control mientras la lijadora está en movimiento.

4. Cuando el tambor de arenado está totalmente engranado con la superficie, suelte la palanca de control y ajuste el ritmo para una adecuada remoción de material. Mantenga la lijadora en movimiento mientras el tambor de lijado se encuentra engranado con la superficie, ya que en caso contrario quedarán marcas.
5. Mueva la máquina en el sentido del veteado de la madera, siempre que sea posible. Lije la superficie a ritmo constante.
6. Interrumpa gradualmente en el punto de terminación (el extremo de la pasada) elevando el tambor de lijado con la palanca de control. Escalone los puntos de terminación para conseguir una mejor combinación en el momento de ribetear. Consulte la figura 11.

7. Al cambiar el abrasivo, vacíe el contenido de la bolsa de polvo, o al terminar la operación de lijado, presione el interruptor selector a la posición (O) (Apagado). Desconecte la máquina de la fuente de alimentación.
8. Vacíe la bolsa de polvo cada vez que está llena hasta 1/3 de su capacidad. Nunca deje la bolsa sin vigilancia cuando haya polvo de lijado en la misma. El polvo de lijado puede encenderse y ocasionar un incendio o una explosión. Vacíe el polvo dentro de un recipiente de metal que no contenga ningún material combustible.

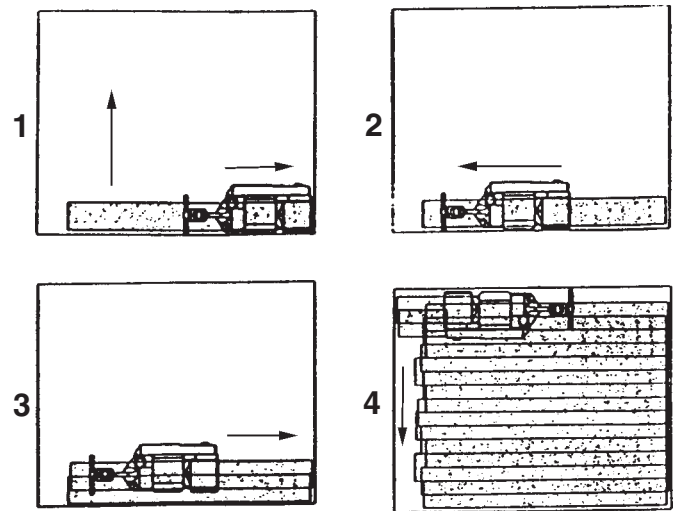


Figura 11



## Cortes de lija y papel de lija

### Corte inicial

El propósito del corte inicial es sacar el acabado viejo y las imperfecciones mayores de la superficie del piso. Se debe usar un abrasivo grueso. Si la superficie está muy dañada por rayones profundos, marcas preexistentes, tabloncillos desiguales, etc., puede ser necesario lijar horizontalmente o diagonalmente al veteado para restaurar la uniformidad de la superficie. Cuando no se den las condiciones anteriores, el corte inicial debe realizarse en la dirección del veteado de la madera.

Si un corte inicial aparece inmediatamente glaseado, cargado o quemado, seleccione un abrasivo más grueso. Si esto ocurriera durante un corte inicial significa que el abrasivo se ha desgastado y deberá ser reemplazado.

### Cortes finales

El propósito de un corte de acabado es eliminar los rayones producidos durante el corte inicial. Utilice un abrasivo de grano fino (60- 80 granos) .

Si la superficie permanece áspera después de un corte de acabado, puede ser necesario utilizar un abrasivo de grano aún más fino (80 - 100 granos). Se deberá tener cuidado al seleccionar el tamaño del grano del abrasivo. Un grano muy fino cerrará los poros sobre el piso de madera dando lugar a problema de manchas.

Si un corte de acabado apareciera inmediatamente glaseado o quemado, aumente el ritmo. Si esto ocurriera durante un corte final, significa que el abrasivo se ha desafilado y deberá cambiarse.

Uso del	veteado	Manguito de hoja 8 x 18 19 /32 .	Manguito 8x 19 Refuerzo de tela Pieza N°/Cnt.	Manguito 8x 19 Refuerzo de papel Pieza N°/Cnt.
12 granos 16 granos 20 granos 24 granos	Para eliminar imperfecciones mayores y restaurar la uniformidad a los pisos viejos. Para eliminar la acumulación de pinturas y barnices.	945390/25 945391/25 945392/25 ——— —	——— — ——— — ——— — 945930/10	——— — ——— — ——— — 945416/10
36 granos 40 granos	Para el primer lijado de pisos nuevos (arce, roble). Para eliminar imperfecciones menores y acabados de pisos viejos.	945395/25 ——— —	——— — 945933/10	——— — 945418/10
50 granos	Para el primer lijado de pisos nuevos (cedro, pino, abeto). Para limpieza de 16 granos.	945397/25	——— —	——— —
60 granos	Para limpieza desde el corte inicial 36 granos.	945398/25	945935/10	945420/10
80 granos	Para el lijado final de ciertas maderas duras. Para limpieza de cortes iniciales (50 granos).	945399/25	945936/10	945421/10
100 granos	Para el lijado final de ciertas maderas duras y coníferas si se desea obtener una superficie lisa.	945400/25	945937/10	945422/10



## Procedimientos de ajuste de la lijadora

**⚠ PELIGRO:** Puede producirse electrocución si se realizan mantenimiento y reparaciones en una unidad que no esté adecuadamente desconectada de la fuente de alimentación. Desconecte el suministro de alimentación antes de intentar tareas de mantenimiento y reparación.

**⚠ PELIGRO:** Las partes móviles de esta máquina pueden causar lesiones serias o daños materiales. Mantenga las manos, los pies y la vestimenta suelta alejados de todas las partes móviles de la lijadora.

La siguiente información proporciona los detalles sobre cómo ajustar las diferentes funciones y controles de la lijadora.

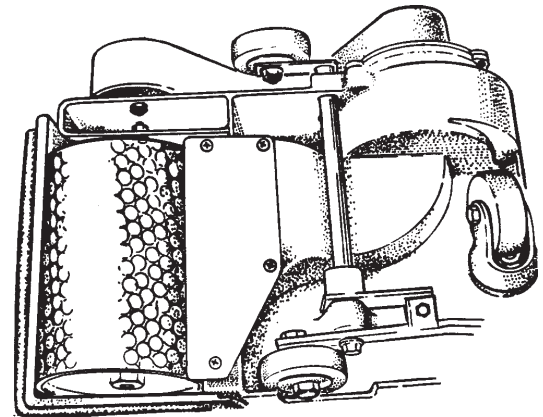


Figura 12

### Zapata para el polvo

Para ajustar la zapata para el polvo siga este procedimiento:

1. Desconecte la máquina del suministro eléctrico.
2. Afloje los cuatro tornillos que sujetan la zapata para el polvo al chasis.
3. Ajuste la zapata para el polvo hacia el tambor para mejorar la recolección de partículas finas.
4. Ajuste la zapata para el polvo alejada del tambor para mejorar la recolección de partículas gruesas.
5. Alinee la zapata para el polvo con el tambor y ajuste los tornillos. Consulte la figura 12.

### **Nivelación**

Para ajustar la nivelación de la máquina siga este procedimiento:

1. Ubique el tornillo de nivelación. Consulte la figura 13.
2. Ajuste el tornillo (comprima el resorte de nivelación) para un lijado más profundo del lado de la correa de transmisión del tambor de lijado.
3. Afloje el tornillo de nivelación (afloje el resorte de nivelación) para un lijado más profundo del lado opuesto a las correas de transmisión. Figura 13

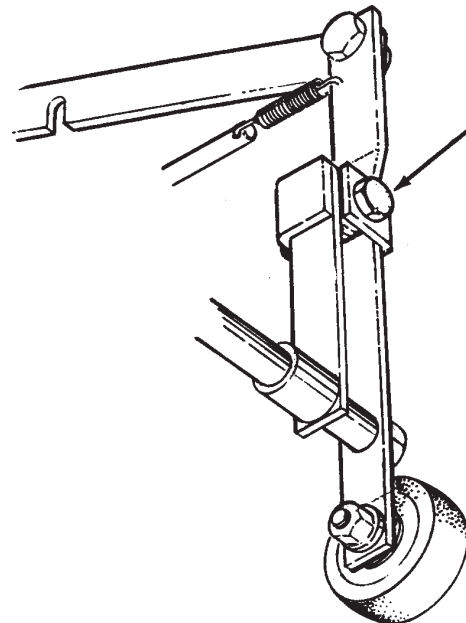


Figura 13

## Mantenimiento de rutina

Los siguientes elementos deben inspeccionarse y realizárseles el mantenimiento de manera periódica para mantener su lijadora en buenas condiciones operativas.

### Cámara de lijado

Periódicamente sople la cámara de lijado para evitar grandes acumulaciones de residuos que podrían interferir con el rendimiento del sistema de recolección de polvo.

### Ruedas

Extraiga periódicamente los residuos de las ruedas del camión y las roldanas pivotantes. Los residuos pueden causar ondulaciones sobre la superficie lijada.

### Bolsa de polvo

Extraiga la bolsa de polvo de la máquina y sacúdala muy bien para extraer el polvo de lijado de la bolsa de polvo. Dé vuelta a la bolsa de polvo y lávela a máquina en agua fría para evitar que se bloqueen los poros y que pierda su capacidad de recolectar polvo.

### Correa de transmisión

Periódicamente controle las correas de transmisión para verificar la existencia de dientes o bordes deshilachados. La existencia de bordes deshilachados podría indicar una alineación defectuosa. Vuelva a alinear la correa.

### Cojinetes

Verifique periódicamente los rodillos guía y el rodillo de tensión en busca de desgaste.

*Eje de husillo*                      Vuelva a lubricar cada 150 horas con 10 oz. de grasa lubricante NLGI grado 2, - 30°F a 250°F, 58-75 SUS a 210° F.

*Eje de motor*                      después de las primeras 5000 horas.

*Eje de ventilador*                después de las primeras 1500 horas.

**Resolución de problemas**

<b>Problema</b>	<b>Causa</b>	<b>Acción</b>
Las correas de transmisión saltan engranajes o hacen chirrido.	Correa dañada. La tensión es insuficiente. Alineación defectuosa de la correa.	Cambie la correa. Tensión de la correa. Alinee la polea.
Crujido, bramido o chirrido proveniente de la máquina.	El cojinete está dañado o desgastado	Extraiga las correas de transmisión, rote el husillo motor y los ejes del ventilador para ubicar el cojinete con arrastre o defectuoso. Póngase en contacto con un distribuidor autorizado de American Sanders.
La recolección de polvo es deficiente.	La bolsa de polvo está 1/3 llena. La bolsa de polvo está sucia. La zapata para el polvo está el polvo. El canal del polvo está obstruido.	Vacíe el contenido de la bolsa. Extraiga los residuos de la bolsa agitándola y lave. Vuelva a ajustar la zapata para mal ajustada. Remove dust shoe and clear throat.
El motor no arranco.	El arrancador del motor es defectuoso. El capacitor de arranque es defectuoso. El interruptor de arranque es defectuoso. Conexiones defectuosas. Disparo de motor por sobrecarga. El motor es defectuoso. No hay potencia.	Póngase en contacto con un distribuidor autorizado. Póngase en contacto con un distribuidor autorizado. Póngase en contacto con un distribuidor autorizado. Verifique las conexiones. Desconecte la energía. Presione el botón de reinicio del motor Póngase en contacto con un distribuidor autorizado. Verifique la fuente eléctrica y las conexiones.
El motor funciona con lentitud.	Tensión baja debido a cable demasiado largo, alargador corto o conexión defectuosa. Defective run capacitor.  El motor es defectuoso.	Localice la fuente eléctrica más cercana al lugar de trabajo. Verifique las conexiones  Póngase en contacto con un distribuidor autorizado.  Póngase en contacto con un distribuidor autorizado.
El disyuntor del motor se repite veces.	Tensión baja debido a cable demasiado largo, alargador corto o conexión defectuosa  Cara excesiva. El interruptor de arranque es defectuoso El arrancador del motor es defectuoso.  El motor es defectuoso. El capacitor es defectuoso.	Desconecte la energía, deje enfriar el motor. Presione el botón de reinicio del motor. Localice la fuente eléctrica más cercana al lugar de trabajo. Verifique las conexiones. Póngase en contacto con un distribuidor autorizado de American Sanders.  Póngase en contacto con un distribuidor autorizado. Póngase en contacto con un distribuidor autorizado. Póngase en contacto con un distribuidor autorizado. Póngase en contacto con un distribuidor autorizado. Póngase en contacto con un distribuidor autorizado.
Cortes irregulares	La nivelación está mal ajustada.	Reajuste la nivelación.
Quemado o glaseado.	El abrasivo está desgastado. La correa abrasiva es demasiado fina.	Cambie el abrasivo. Utilice un abrasivo más grueso.
Ondas sobre la superficie lijada.	Presencia de residuos en las ruedas. Neumáticos desinflados.	Retire y limpie las ruedas. Cambie los neumáticos.

**LISEZ CE MANUEL**

Ce Manuel contient des informations importantes concernant l'utilisation et le fonctionnement de cette machine dans des conditions de sécurité optimales. La non-lecture de ce manuel avant d'utiliser ou d'entretenir votre machine Clarke American Sanders risque de provoquer un accident ou d'endommager la machine ou son environnement. Vous devez avoir été formé à l'utilisation de cette machine avant de l'utiliser. Si l'opérateur n'est pas en mesure de lire ce Manuel, il devra se le faire expliquer entièrement avant de tenter d'utiliser cette machine.

Toutes les directions données dans ce Manuel le sont par rapport à la position de l'opérateur, à l'arrière de la machine.

Pour commander un nouveau Manuel, écrivez à : Clarke®, 2100 Highway 265, Springdale, Arkansas 72764.

**Contenu de ce manuel**

Consignes de sécurité .....	27
Introduction et caractéristiques de l'appareil .....	29
Transport de l'appareil .....	30
Préparation de l'appareil .....	31
Utilisation de l'appareil .....	33
Ponçage et papier abrasif .....	34
Procédure de réglage de la ponceuse .....	35
Entretien .....	36
Dépannage .....	37

**Section II, manuel de réparation et schémas de pièces**

Schéma d'assemblage n° 1 .....	40
Liste de pièces n° 1 .....	41
Schéma d'assemblage n° 2 .....	42
Liste de pièces n° 2 .....	43
Schéma de câblage .....	44

# CONSIGNES DE SECURITE DESTINEES A L'OPERATEUR

**DANGER** signifie : De graves blessures corporelles, voire la mort, peuvent survenir si les déclarations **DANGER** apposées sur l'appareil ou inscrites dans le Manuel de l'utilisateur sont ignorées ou ne sont pas suivies. Lisez et respectez toutes les consignes **DANGER** se trouvant dans le Manuel de l'utilisateur et sur l'appareil.

**AVERTISSEMENT** signifie : Des blessures corporelles peuvent survenir si les **MISES EN GARDES** apposées sur l'appareil ou inscrites dans le Manuel de l'utilisateur sont ignorées ou ne sont pas suivies. Lisez et respectez toutes les **AVERTISSEMENTS** inscrits dans le Manuel de l'utilisateur et apposés sur l'appareil.

**MISE EN GARDE** signifie : Il y a risque de dommages à l'appareil ou à la propriété si les **MISES EN GARDES** apposées sur l'appareil ou inscrites dans le Manuel de l'utilisateur sont ignorées ou ne sont pas suivies. Lisez et respectez toutes les **MISES EN GARDE** se trouvant dans le Manuel de l'utilisateur et apposées sur l'appareil.

 **DANGER :**



À défaut de lire le Manuel de l'utilisateur avant l'utilisation ou l'entretien de cet appareil de ponçage peut provoquer des blessures corporelles à l'opérateur ou toute autre personne et endommager l'appareil. Lisez et respectez toutes les consignes de sécurité décrites dans ce Manuel et apposées sur l'appareil de ponçage. Assurez-vous que tous les autocollants, décalcomanies, avertissements, mises en garde et directives sont apposés sur l'appareil. Remplacez tous ceux endommagés ou manquants. Vous devez avoir été formé à l'utilisation de cette appareil avant de l'utiliser. **Si l'opérateur est incapable de lire ce manuel, le faire expliquer dans son intégralité avant qu'il essaie d'utiliser cet appareil.**

 **DANGER:**



Le ponçage/la finition des planchers de bois peut créer un environnement déflagrant. Veuillez suivre les procédures de sécurité suivantes :

- Les briquets, les flammes pilote et toute autre source d'inflammation peuvent provoquer une explosion si actionnés au cours d'un ponçage. Toutes sources d'inflammation devraient être éteintes ou retirées entièrement, si possible, de la zone de travail.
- Les zones de travail peu aérées peuvent se transformer en un environnement déflagrant lorsque certains matériaux combustibles sont présents dans l'atmosphère notamment les solvants, diluants, alcool, combustibles, certains finis, poussières de bois et autres matériaux combustibles. Les appareils de ponçage de plancher peuvent inflammer le matériel et les vapeurs. Bien lire l'étiquette du fabricant sur tous les produits chimiques pour évaluer la combustibilité. Veillez à ce que la zone de travail soit bien aérée.
- La combustion spontanée ou une explosion est possible lors de travaux avec poussière de ponçage. La poussière de ponçage peut s'inflammer elle-même et provoquer des blessures ou des dommages. Veillez éliminer adéquatement la poussière de ponçage. Videz toujours la poussière de ponçage dans un contenant en métal situé à l'extérieur de tout(tous) édifice(s).
- Videz le sac de dépoussiérage lorsqu'il est plein au tiers de sa capacité. Videz le contenu du sac de dépoussiérage à chaque fois que vous avez terminé avec l'appareil. Ne laissez jamais un sac de dépoussiérage sans surveillance avec de la poussière de bois.
- Ne jetez pas le contenu du sac de dépoussiérage dans un feu.
- En cours de ponçage, il est possible de provoquer une étincelle en heurtant un clou et ainsi, provoquer une explosion ou un incendie. Utilisez toujours un marteau et un poinçon pour fraisurer tous clous avant de sabler/poncer un plancher.



**DANGER:**

Le fonctionnement d'un appareil de ponçage partiellement assemblé peut blesser l'opérateur ou une personne à proximité et provoquer des dommages à l'appareil ou à la propriété d'autrui.

- N'utilisez pas cet appareil jusqu'à ce qu'il soit entièrement assemblé avec tous les dispositifs de protections, portes et couvercles solidement fixés.
- Veillez à ce que tous les dispositifs de fixation soient serrés.
- Suivez toutes les spécifications de réglage du fabricant.



**DANGER:**



Les pièces mobiles de cet appareil de ponçage peut blesser l'opérateur ou une personne à proximité.

- Tenez les mains, pieds et vêtements amples loin de toutes pièces mobiles.
- Ne changez pas ou n'ajustez pas le papier abrasif alors que l'appareil de ponçage est en fonctionnement.
- N'effectuez pas l'entretien de l'appareil de ponçage en cours de fonctionnement.



**DANGER:**



Cet appareil de ponçage exige une source d'alimentation électrique. Une utilisation inadéquate pourrait provoquer un choc électrique ou une électrocution ou un incendie.

- Branchez l'appareil uniquement à une source d'alimentation qui correspond aux indications de la plaque signalétique.
- Utilisez cet appareil de ponçage uniquement sur un circuit électrique mis à la terre. Consultez un électricien si vous croyez que le circuit n'est pas correctement mis à la terre.
- N'utilisez pas cet appareil de ponçage avec un cordon d'alimentation endommagé. Inspectez l'appareil avant chaque usage.
- Ne heurtez pas le cordon d'alimentation avec le papier abrasif. Soulevez toujours le cordon d'alimentation au-dessus de l'appareil de ponçage.
- N'utilisez pas le cordon d'alimentation pour déplacer l'appareil de ponçage.
- Débranchez de la source d'alimentation avant d'effectuer une réparation ou un entretien sur cet appareil.



**AVERTISSEMENT:**



Dans le cas d'un sac de dépoussiérage en feu, l'opérateur peut se blesser s'il est attaché ou relié à l'appareil avec une sangle. Utilisez correctement la ceinture de travail .



**AVERTISSEMENT:**



L'opérateur, ou toute personne à proximité, doit porter une tenue de protection en cours de ponçage pour prévenir les blessures. Utilisez toujours une protection oculaire et auditive ainsi qu'un appareil respiratoire lors de tout ponçage/sablage.



**AVERTISSEMENT:**



La ponceuse ne doit pas être utilisée sur du bois traité sous pression. Certains bois traités sous pression contiennent de l'arsenic, le ponçage du bois traité sous pression produit des poussières dangereuses. L'inhalation de poussières dangereuse produite par du bois traité sous pression risque d'entraîner la mort ou de graves blessures. La ponçage de bois traité sous pression ou de surfaces irrégulières risque d'endommager la ponceuse qui n'est pas converti ni par la garantie ni par les Exonérations de Dommages.



**AVERTISSEMENT:**

Il y a un risque potentiel de blessures corporelles si l'appareil est mis sous tension avec l'interrupteur déjà en position de marche (ON). Assurez-vous toujours que l'interrupteur soit en position d'arrêt (OFF) avant de mettre l'appareil sous tension.



**MISE EN GARDE :**

Les opérations de maintenance et les réparations effectuées par des techniciens non agréés risquent d'entraîner des dommages ou des blessures corporelles. Les opérations de maintenance et les réparations effectuées par des techniciens non agréés annuleront votre garantie. Dirigez-vous toujours à un distributeur agréé Clarke American Sanders pour toutes réparations de cet appareil.



**MISE EN GARDE:**

L'utilisation de cet appareil pour déplacer ou monter sur des objets peut provoquer un accident ou entraîner des dégâts matériels. Ne pas utiliser cet appareil comme marchepied ou comme meuble. Ne montez pas sur cet appareil.



**MISE EN GARDE :**

Il y a un risque d'endommager l'appareil si celui-ci n'est pas entreposé dans un bâtiment à l'abri de l'humidité. Rangez l'appareil dans un établissement à l'abri de l'humidité.



**MISE EN GARDE :**

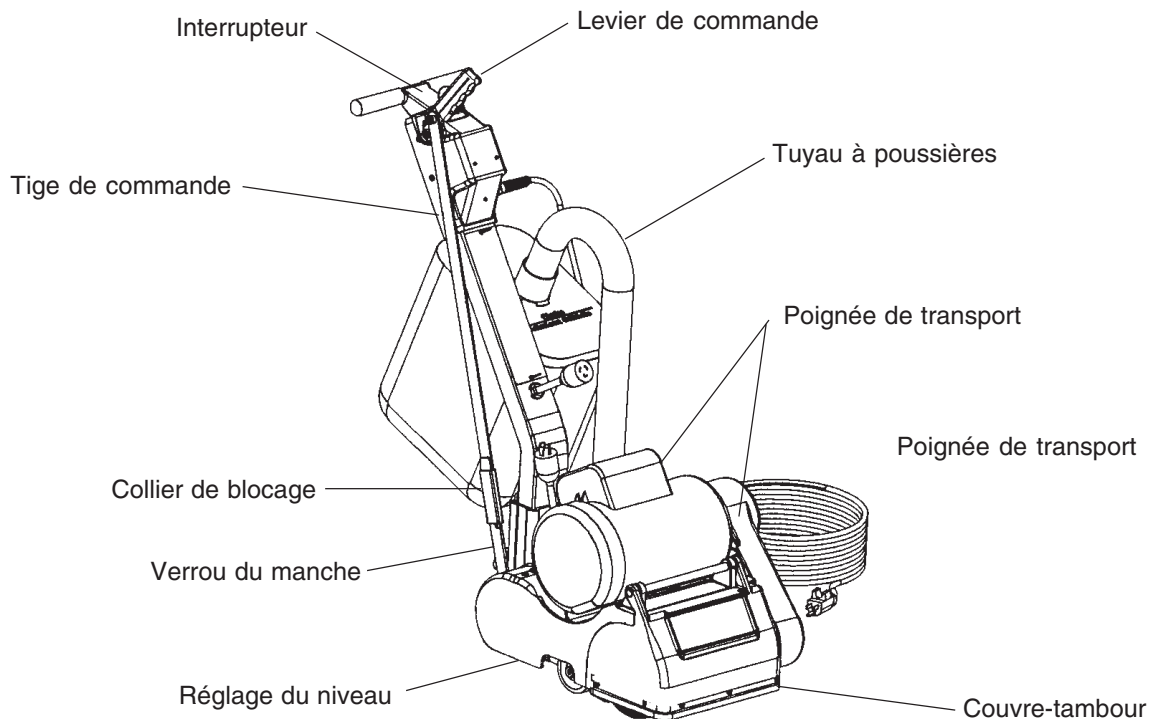
Cet appareil est lourd. Pour le transport de l'appareil, déposez le moteur. Demandez de l'aide pour soulever l'appareil et le moteur.



**MISE EN GARDE :**

Il y a un risque de dommages graves au plancher si l'appareil de ponçage fonctionne en continu au même endroit avec le tambour de ponçage directement sur le plancher. Pour empêcher tout dommage au plancher, poncer légèrement à un régime de ponçage normal. Ne vous arrêtez pas lors de la levée ou de l'abaissement du tambour. Poncez ou sablez toujours à un régime constant.

## Introduction et caractéristiques de l'appareil



Modèle	07057A	07058A	07059A	07060A
<b>Dimension de abrasif</b>	8 in x 19 <sup>3</sup> / <sub>16</sub> in la feuille	8 in x 19 in la manche	8 in x 19 <sup>3</sup> / <sub>16</sub> in la feuille	8 in x 19 in la manche
<b>Régime avec abrasif</b>	2680 pi/min	2830 pi/min	2230 pi/min	2360 pi/min
<b>Rotations du tambour</b>	1800 RPM	1800 RPM	1500 RPM	1500 RPM
<b>Débit de contrôle des poussières</b>	76 CFM	76 CFM	64 CFM	64 CFM
<b>Pression du tambour</b>	11,4 kg	11,4 kg	11,4 kg	11,4 kg
<b>Commandes de nivellement</b>	Réglage externe	Réglage externe	Réglage externe	Réglage externe
<b>Système de commande</b>	Avec levier de commande	Avec levier de commande	Avec levier de commande	Avec levier de commande
<b>Moteur</b>	1.5 HPTEFC protection thermique	1.5 HPTEFC protection thermique	1.5 HPTEFC protection thermique	1.5 HPTEFC protection thermique
<b>Câble d'alimentation</b>	40 pi, 12 gauge résistant à l'abrasion	40 pi, 12 gauge résistant à l'abrasion	40 pi, 12 gauge résistant à l'abrasion	40 pi, 12 gauge résistant à l'abrasion
<b>Tension(V)/Fréquence(Hz)</b>	115 / 60	115 / 60	240 / 50	240 / 50
<b>Courant (A)</b>	12	12	6	6
<b>Dimensions (cm)*</b>	55 x 41 x 90	55 x 41 x 90	55 x 41 x 90	55 x 41 x 90
<b>Poids* (kg)</b>	59,7	59,7	59,7	59,7

\* Valeur à l'expédition



### ATTENTION :

Il est possible que votre équipement ne soit pas adapté à certaines installations. Il faut toujours consulter le fabricant du parquet pour connaître les caractéristiques d'installation, de préparation et de finition de leur produit. Vérifiez la convenance de votre équipement lorsque vous préparez le produit.



**Transport de l'appareil****Transport de la machine en zone de chargement limitée :**

Pour transporter la machine, procéder comme suit :

1. Abaisser le tambour de ponçage avec le levier de commande. Voir Figure 1.
2. Faire glisser le collier au-delà du chevauchement de l'axe de commande ; retirer la goupille de l'encoche. Voir Figure 2.
3. Tourner et retirer le raccord de poignée du cordon du moteur. Voir Figure 3.
4. Libérer les loquets de poignée et retirer la poignée du châssis. Voir Figure 2.
5. Retirer du châssis le conduit à poussière.
6. Soulever le châssis avec les poignées de transport et le poser dans la zone de chargement. Voir Figure 4.

**▲ AVERTISSEMENT : La machine est lourde (43,2kg). Pour éviter toute blessure ou tout endommagement, saisir fermement les poignées de transport ; utiliser une technique de levage adéquate.**

7. Attacher le châssis pour empêcher tout déplacement dans la zone de chargement. Placer la poignée et le conduit à poussière dans la zone de chargement.

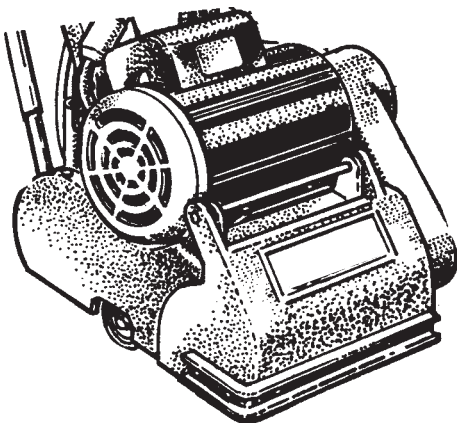


Figure 4

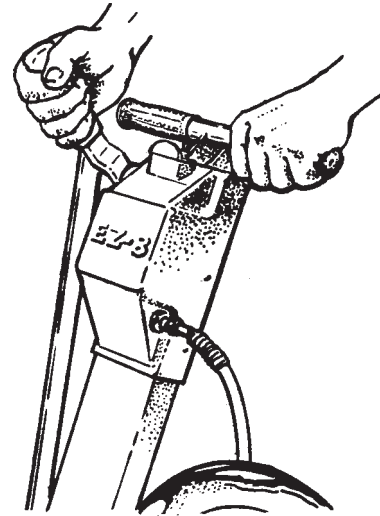


Figure 1

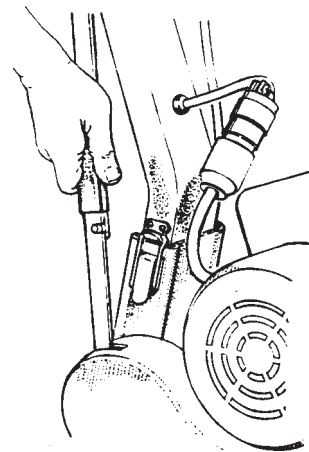


Figure 2

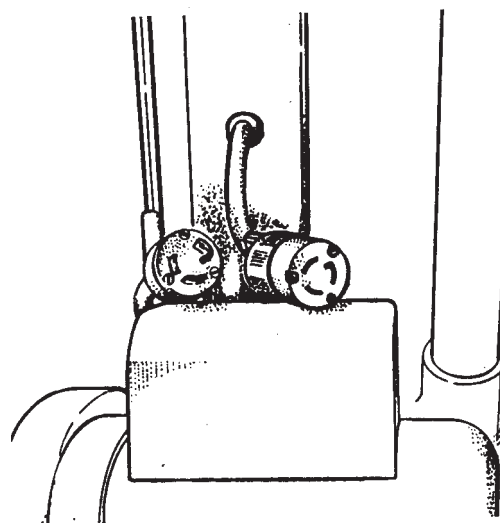


Figure 3

## Préparation de l'appareil

Suivez cette procédure pour assembler votre appareil :

1. Veuillez prendre connaissance de l'appareil et lisez toutes les notices de danger, d'avertissements et de mises en garde. Assurez-vous que tous les opérateurs de cet appareil ont bien lu le Manuel de l'utilisateur. S'ils ne sont pas en mesure de lire ce Manuel, ils devront se le faire expliquer entièrement avant d'utiliser la ponceuse.
2. Installer la poignée et fixer les loquets. Voir Figure 6.
3. Introduire l'axe de commande dans l'encoche et glisser le collier sur la goupille. Lever le tambour de ponçage à l'aide du levier de commande. Voir Figures 5 et 6.
4. Installer le conduit à poussière.
5. Brancher le raccord de poignée au cordon du moteur. Aligner la goupille rectifiée, introduire et tourner. Voir Figure 7.
6. Pour installer l'abrasif sur un tambour de ponçage équipé d'une bride du papier : desserrer les vis de la bride avec une pièce de monnaie. Ne pas retirer les vis ni la bride du tambour de ponçage. Introduire un bord du papier abrasif sous la bride. Tourner le tambour pour enrouler l'abrasif autour du tambour. Introduire l'autre bord de l'abrasif sous la bride. Centrer l'abrasif et supprimer tout jeu de l'abrasif. Visser les vis sur la bride du papier. Fermer le capot du tambour. Voir Figure 8.

Pour installer l'abrasif sur un tambour de ponçage équipé d'un manchon : glisser l'abrasif sur le tambour, centrer l'abrasif, et fermer le capot du tambour.

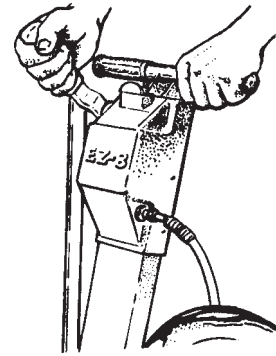


Figure 5

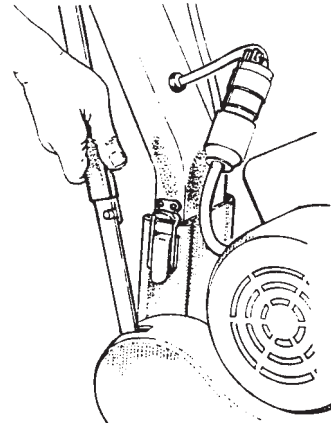


Figure 6

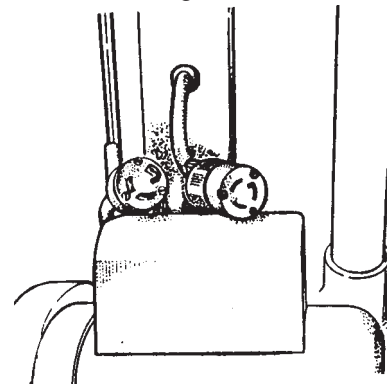


Figure 7

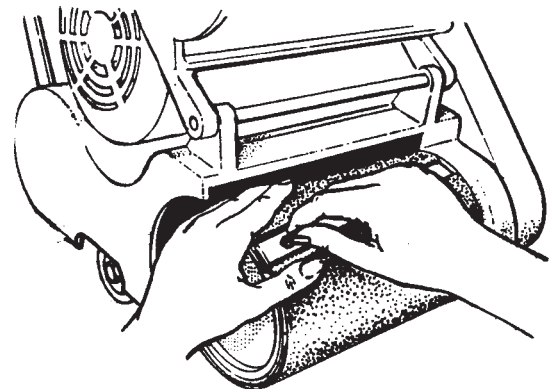


Figure 8

## Préparation de l'appareil

7. Cette ponceuse est conçue pour fonctionner équipée d'un système à distance de collecte des poussières par le vide, ou du sac à poussières fourni. Procéder comme suit:

### Préparation des systèmes à distance de collecte des poussières par le vide

Pour préparer la machine à l'utilisation d'un système à distance de collecte des poussières par le vide ayant une extrémité de tuyau de 5 cm, procéder comme suit:

1. Monter l'extrémité de tuyau de 5 cm (figure 9, A) directement sur le tuyau d'évacuation (figure 9, B).
2. Il est possible de tourner le tuyau d'évacuation pour plus de commodité.

Pour préparer la machine à l'utilisation d'un système à distance de collecte des poussières par le vide ayant une extrémité de tuyau de 3,80 cm, procéder comme suit:

1. Monter l'adaptateur d'extrémité de tuyau (5 x 3,8 cm- Pièce n° 30563A) (figure 9, C) sur le tuyau d'évacuation (figure 9, B).
2. Introduire l'extrémité de tuyau de 3,80 cm (figure 9, D) dans l'adaptateur (figure 9, C).

NOTE: Faire démarrer le système à distance de collecte par le vide avant de travailler.

### Préparation pour utilisation du sac à poussières fourni

Pour préparer la machine à l'utilisation du sac à poussières fourni, procéder comme suit:

1. Installez le sac à poussières en appuyant son extrémité sur le tuyau d'évacuation jusqu'à ce que l'anneau se verrouille dans la rainure (figure 10). On y parvient plus facilement en appuyant sur l'arrière de l'ouverture du sac avec la paume de la main.
2. Il est possible de tourner le tuyau d'évacuation pour plus de commodité.
3. Pour retirer le sac à poussières du tuyau d'évacuation, soulever l'extrémité de l'ouverture du sac pour partiellement dégager la nervure interne de la rainure, puis tirer.
4. Pour vider le sac à poussières, ouvrir la fermeture éclair de la trappe d'évacuation des déchets et expulser le contenu en retournant le sac.

NOTE: Pour obtenir les meilleurs résultats, vider fréquemment le sac. Respecter toutes les mises en garde indiquées dans le présent manuel et sur le sac à poussières.

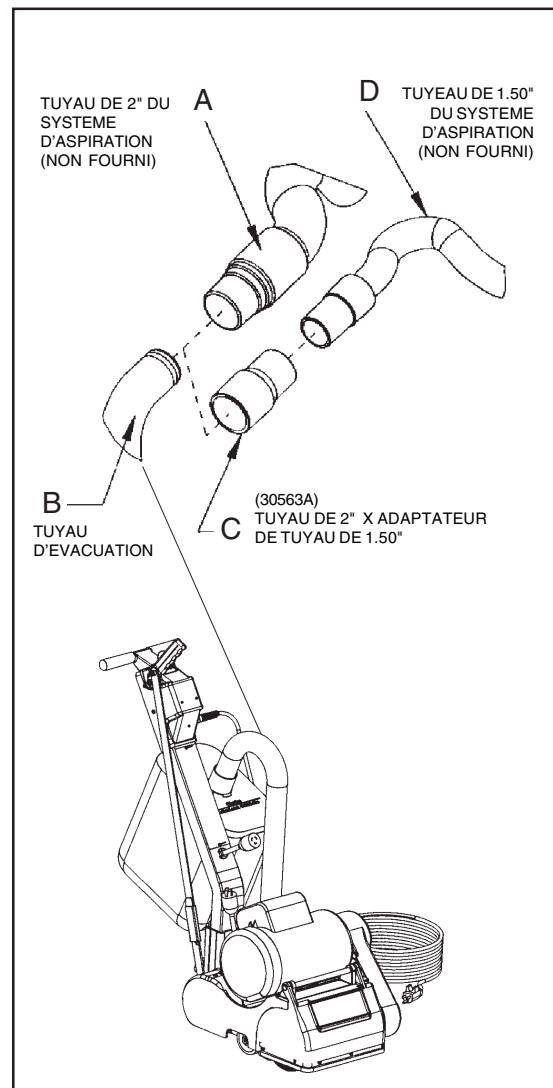


Figure 9

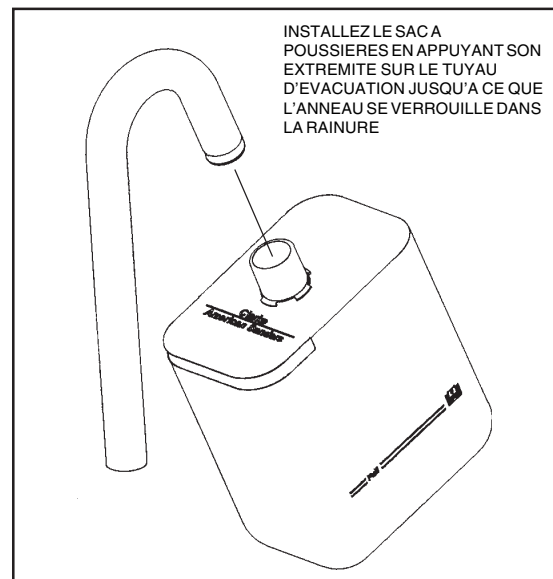


Figure 10

## Utilisation de l'appareil

Pour utiliser la machine, procéder comme suit :

1. Repérer tous les clous exposés et les enfoncer avec un marteau pour éviter toute rencontre avec le tambour de ponçage. Brancher la machine sur un circuit (alimentation électrique) adéquat, protégé par des fusibles et mis à la terre. Placer le sélecteur sur la position S (démarrage). Après le démarrage, laisser le sélecteur revenir en position R (marche).

**⚠ MISE EN GARDE : Pour éviter d'endommager la surface, assurez-vous que la machine est toujours en mouvement lorsque le tambour de ponçage est en contact avec le sol.**

2. Travaillez de droite à gauche. Pour chaque passage en avant, déplacez la machine de 10 cm sur le passage qui vient d'être effectué. Revenez sur vos pas sans chevaucher. Voir Figure 11.
3. Poncez légèrement en abaissant le tambour sur la surface à l'aide du levier de commande alors que la ponceuse est en mouvement.

4. Lorsque le tambour est en contact complet avec la surface, relâchez le levier de commande et ajustez votre rythme pour un ponçage adéquat. Maintenez la ponceuse en mouvement alors que le tambour touche la surface pour empêcher l'apparition de marques de pause.

5. Autant que possible, déplacez l'appareil dans le sens du fil du bois. Poncez la surface à un rythme constant.

6. Graduellement, poncez plus légèrement au point de terminaison (fin de votre passage) en soulevant le tambour à l'aide du levier de commande. Décalez les points de terminaison pour un meilleur fondu en bordure. (Voir Figure 11).

7. Pour remplacer l'abrasif, pour vider le contenu du sac à poussière ou lorsque l'opération de ponçage est terminée, placez le sélecteur sur O (off = arrêt). Débranchez la machine de l'alimentation électrique.

8. Videz le sac à poussière lorsqu'il est plein au tiers. Ne laissez jamais un sac de poussière sans surveillance, avec des poussières à l'intérieur. La poussière de ponçage peut s'enflammer spontanément et provoquer un incendie ou une explosion. Videz la poussière dans un conteneur métallique exempt de tout matériau combustible.

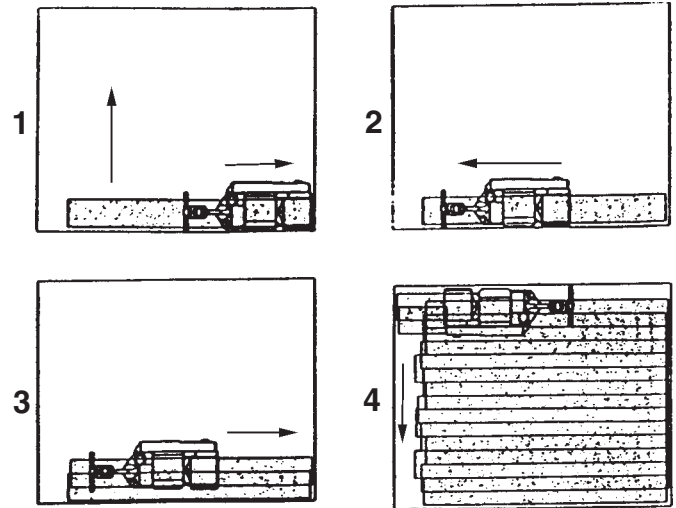


Figure 11

**Ponçage et papier abrasif**

**Premier passage**

Le but du premier passage est d'enlever l'ancienne finition et les plus grosses imperfections sur le parquet. Utilisez un papier abrasif à gros grains. Si la surface est sérieusement endommagée par des rayures profondes, des marques anciennes, des planches inégales ou d'autres détériorations, il pourrait être nécessaire de poncer en travers ou en diagonale par rapport aux fibres du bois, afin de rendre la surface uniforme. Si ces problèmes ne se posent pas, le premier passage devrait se faire dans le sens des fibres du bois.

Si des traces de polissage, de surcharge ou de brûlures sont observées dès le début du premier passage, choisissez un abrasif à grains plus gros. Si ces problèmes surviennent durant le premier passage, le papier abrasif est émoussé et doit être remplacé.

**Passages finaux**

Le but d'un passage final est d'enlever les rayures produites durant le premier passage. Utilisez un papier abrasif à petits grains (60-80 grains).

Si la surface demeure rugueuse après un passage final, il pourrait être nécessaire d'utiliser un papier abrasif à grains plus fins (80-100 grains). La taille des grains abrasifs doit être choisie avec soins. Un grain trop fin risque de refermer les pores du bois, nuisant ainsi à l'absorption ultérieure de la teinture.

Si vous détectez une vitrification ou des traces de brûlure dès le début d'un passage final, augmentez la cadence. Si ce problème survient durant un passage final, le papier abrasif s'est émoussé et doit être remplacé.

Grains	Utilisation	Feuille 8 x 18 19/32 N° de pièce/nombre	Manchon 8 x 19 Revers en tissu N° de pièce /nombre	Manchon 8 x 18 55/64 Revers en tissu N° de pièce /nombre
12 grains 16 grains 20 grains 24 grains	Pour l'élimination des grosses imperfections et l'uniformisation d'un vieux parquet. Pour l'élimination des vieilles couches de peinture et de vernis.	945390/25 945391/25 945392/25 ——— —	——— — ——— — ——— — 945930/10	——— — ——— — ——— — 945416/10
36 grains 40 grains	Pour le premier ponçage d'un parquet neuf (érable, chêne). Pour l'élimination des petites imperfections et de la finition des vieux parquets.	945395/25 ——— —	——— — 945933/10	——— — 945418/10
50 grains	Pour le premier ponçage d'un parquet neuf (cèdre, pin, sapin). Pour nettoyer après le passage d'un abrasif à 16 grains.	945397/25	——— —	——— —
60 grains	Pour nettoyer après le passage d'un abrasif à 36 grains.	945398/25	945935/10	945420/10
80 grains	Pour le ponçage final de certains parquets de bois franc. Pour nettoyer après un premier ponçage (50 grains).	945399/25	945936/10	945421/10
100 grains	Pour le ponçage final de certains parquets de bois franc et de bois mou lorsqu'une surface lisse est désirée.	945400/25	945937/10	945422/10

## Réglage de la ponceuse

**⚠ DANGER :** Une électrocution risque de survenir si une réparation ou une opération d'entretien est effectuée sur un appareil mal débranché de la source d'alimentation électrique. L'appareil doit être débranché avant de commencer toute réparation ou opération d'entretien.

**⚠ DANGER :** Les pièces mobiles de cet appareil peuvent occasionner des blessures graves et des dommages matériels. Garder les mains, les pieds et les vêtements amples à bonne distance des pièces mobiles de la ponceuse.

Les renseignements suivants fournissent des détails sur le réglage des équipements et commandes de la ponceuse.

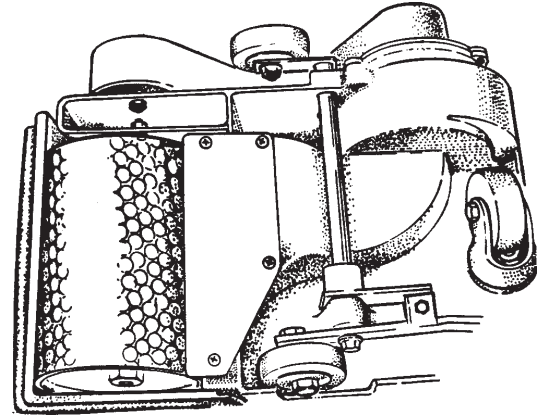


Figure 12

### Patin à poussières

Pour régler le patin à poussières, exécutez les opérations suivantes :

1. Débranchez l'appareil.
2. Desserrez les quatre vis retenant le patin à poussières au châssis.
3. Amenez le patin à poussières vers le tambour si vous désirez améliorer la récupération des particules fines.
4. Éloignez le patin à poussières du tambour si vous désirez améliorer la récupération des grosses particules.
5. Alignez le patin avec le tambour et serrez les vis (voir la figure 12).

### Mise à niveau

Pour régler la mise à niveau de l'appareil, exécutez les opérations suivantes :

1. Repérez la vis de mise à niveau (voir la figure 13).
2. Serrez la vis (en comprimant le ressort de mise à niveau) si vous désirez poncer plus fort sur le côté du tambour adjacent à la courroie d'entraînement.
3. Desserrez la vis (en relâchant le ressort de mise à niveau) si vous désirez poncer plus fort sur le côté du tambour opposé à la courroie d'entraînement.

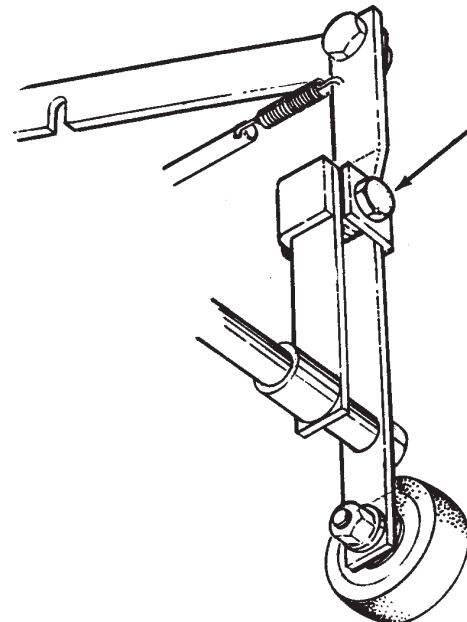


Figure 13

**Entretien**

Les éléments suivants doivent être vérifiés et entretenus périodiquement pour que votre ponceuse demeure en bon état.

**Chambre de ponçage**

Nettoyez périodiquement la chambre de ponçage avec un jet d'air comprimé pour éliminer les grosses accumulations de débris pouvant nuire à l'efficacité du système de récupération des poussières.

**Roues**

Enlevez périodiquement les débris accumulés sur les roues et les roulettes. Ces débris peuvent produire des vagues sur la surface poncée.

**Sac à poussières**

Enlevez le sac à poussières de l'appareil et secouez-le bien pour enlever toute la poussière s'y trouvant. Retournez le sac à l'envers et lavez-le à la machine dans l'eau froide pour éviter toute obstruction des pores et toute perte d'efficacité du système de récupération des poussières.

**Courroie d'entraînement**

Vérifiez périodiquement les courroies d'entraînement pour voir s'il y a des dents cassées ou des rebords effilochés. Les rebords effilochés peuvent être un signe de mauvaise traction. Réalignez les courroies décalées.

**Paliers**

Vérifiez périodiquement les paliers pour voir s'ils sont usés ou endommagés en vous basant sur le calendrier ci-dessous :

*Arbre de ponçage*      Lubrifiez après 150 heures avec 10 onces (284 ml) de graisse NLGI catégorie 2, -30°F (-2 °C) à 250°F (107°C), 58-75 SUS à 210°F (85°C).

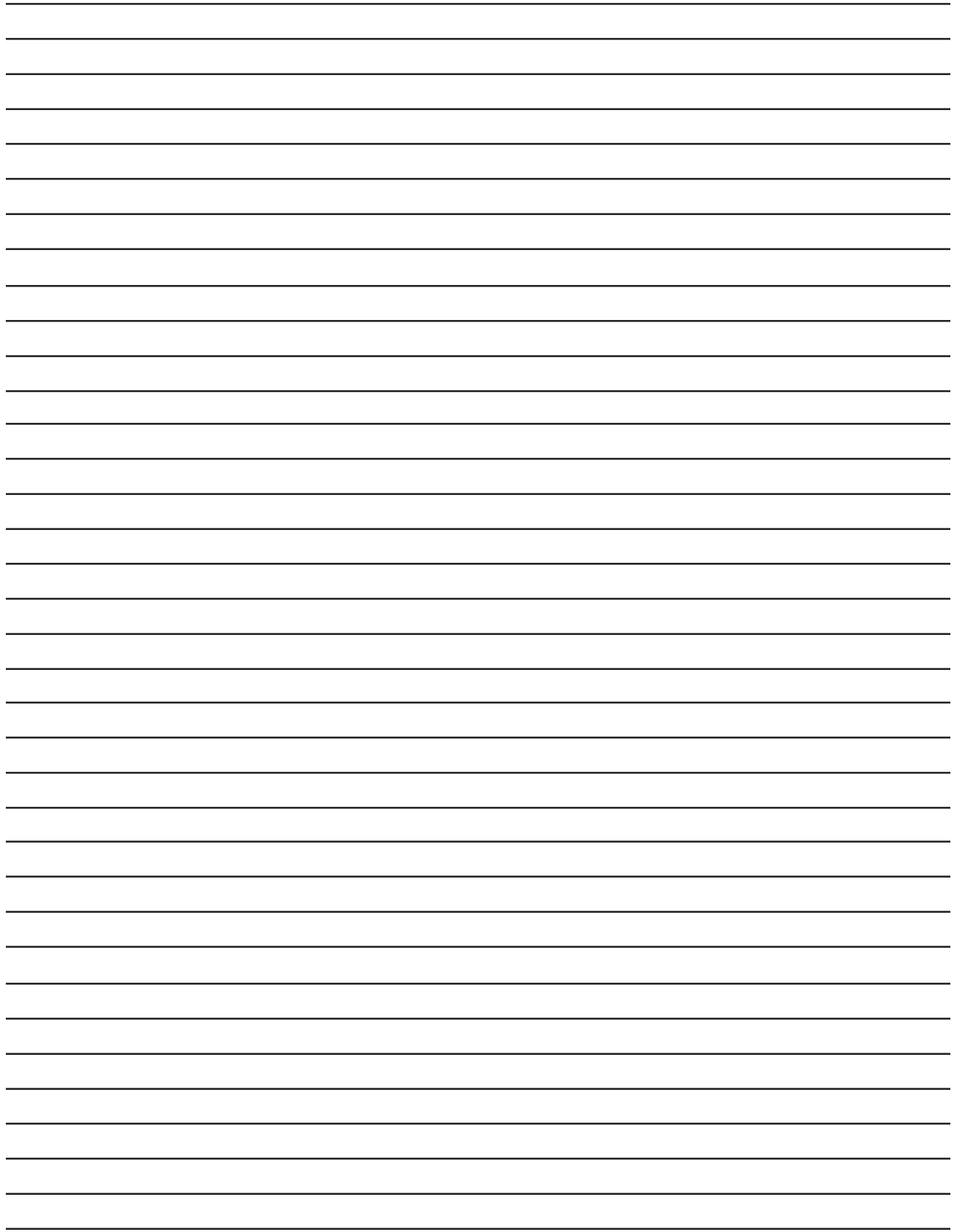
*Arbre du moteur*      Après les premières 5000 heures.

*Arbre du ventilateur*      Après les premières 1500 heures.



**Dépannage**

Problème	Cause	Solution
Les courroies d'entraînement sautent des dents ou grincent.	Courroie endommagée. Tension insuffisante. Courroie mal centrée.	Remplacez la courroie. Tendre la courroie. Alignez la poulie.
Crissement, grognement ou bruit de frottement sortant de l'appareil.	Palier endommagé ou usé.	Enlevez les courroies d'entraînement, faites tourner les arbres de ponçage, du moteur et du ventilateur pour repérer le palier endommagé. Contactez un détaillant Clarke agréé.
Le système ramasse peu de poussières.	Le sac à poussières est plein à plus du tiers. Le sac à poussières est encrassé. Le patin à poussières est mal réglé. Chute à poussières obstruée.	Videz le sac. Secouez le sac pour enlever les débris et lavez le sac. Réglez le patin à poussières. Enlevez le patin à poussières et nettoyez l'admission.
Le moteur ne démarre pas.	Défectuosité du démarreur du moteur. Défectuosité du condensateur de démarrage. Défectuosité de l'interrupteur de démarrage. Mauvaises connexions. Dispositif antisurcharge déclenché. Défectuosité du moteur. Aucune alimentation électrique.	Contactez un détaillant Clarke agréé. Contactez un détaillant Clarke agréé. Contactez un détaillant Clarke agréé. Vérifiez les connexions. Coupez l'alimentation électrique. Appuyez sur le bouton de réamorçage du moteur. Contactez un détaillant Clarke agréé. Vérifiez l'alimentation électrique et les connexions.
Le moteur fonctionne trop lentement.	Tension faible à cause d'une rallonge trop longue ou trop fine ; mauvaise connexion. Défectuosité du condensateur de fonctionnement. Défectuosité du moteur.	Trouvez une source d'alimentation électrique plus proche de la zone de travail. Vérifiez les connexions. Contactez un détaillant Clarke agréé. Contactez un détaillant Clarke agréé.
Le dispositif antisurcharge du moteur se déclenche ou se déclenche très souvent.	Tension faible à cause d'une rallonge trop longue ou d'une mauvaise section ; mauvaise connexion.  Charge excessive. Défectuosité de l'interrupteur de démarrage. Défectuosité du démarreur du moteur. Moteur défectueux. Condensateur défectueux.	Coupez l'alimentation électrique et laissez le moteur se refroidir. Appuyez sur le bouton de réamorçage sur le moteur. Trouvez une source d'alimentation électrique plus proche de la zone de travail. Vérifiez les connexions.  Contactez un détaillant Clarke agréé. Contactez un détaillant Clarke agréé. Contactez un détaillant Clarke agréé. Contactez un détaillant Clarke agréé. Contactez un détaillant Clarke agréé.
Ponçage inégal.	Patin de mise à niveau mal réglé.	Réglez le patin de mise à niveau.
Brûlure ou vitrification.	Abrasif émoussé. Utilisation d'un abrasif à grains trop fins.	Remplacez le papier abrasif. Utilisez un abrasif à grains plus gros.
Vagues sur la surface poncée.	Débris sur les roues. Sections plates sur un ou plusieurs pneus.	Enlevez et nettoyez les roues. Remplacez les pneus.



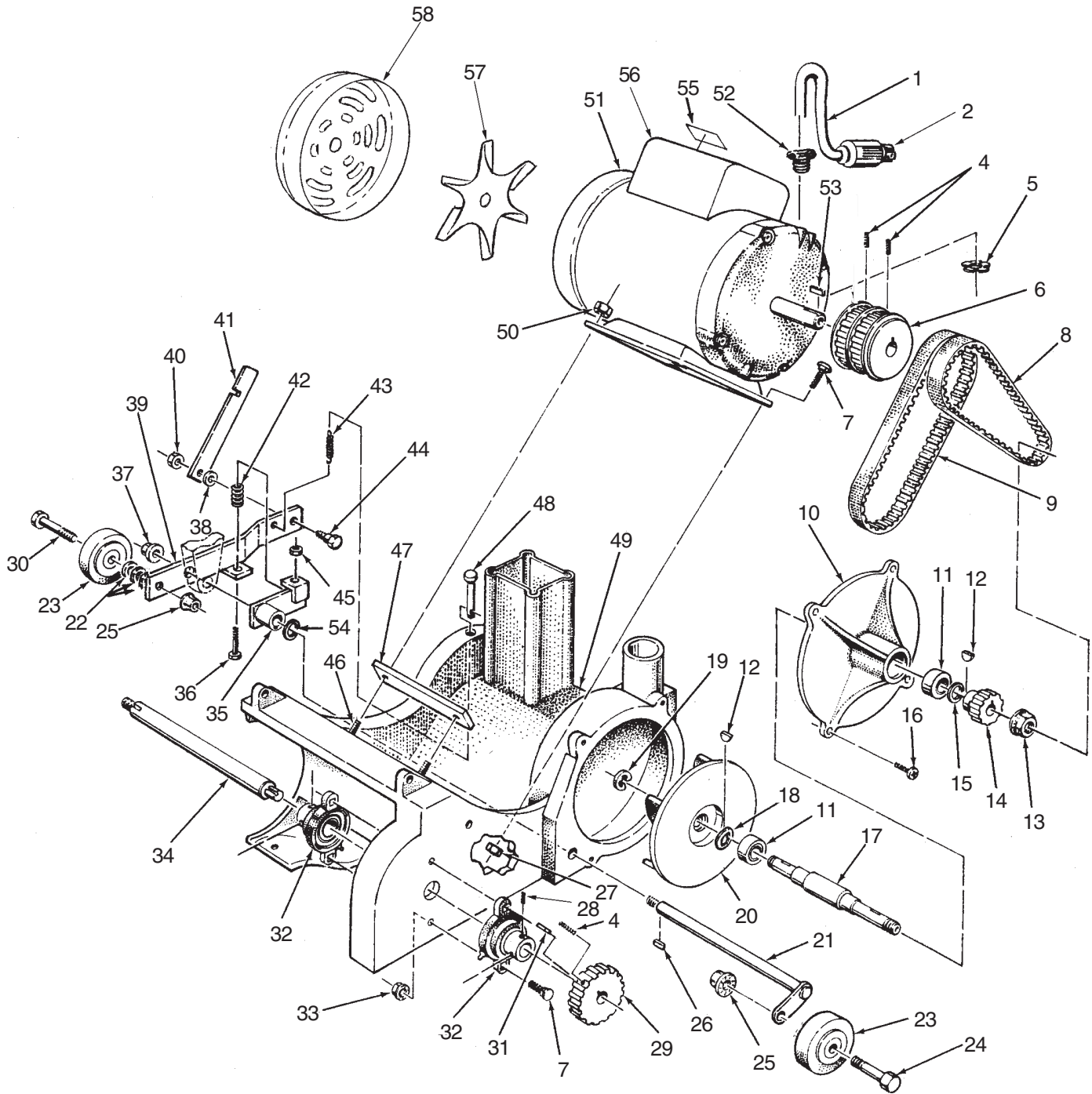
---

**Clarke<sup>®</sup>**  
**American Sanders**

**EZ-8**  
**Sander**  
Section II  
**Parts and Service Manual**

(78425C)

**Clarke®**  
**American Sanders**  
**EZ-8 Sander**  
**Assembly Drawing #1 11/01**



**Clarke**  
**American Sanders**  
**EZ-8 Sander**  
**Assembly Drawing #1 7/03**

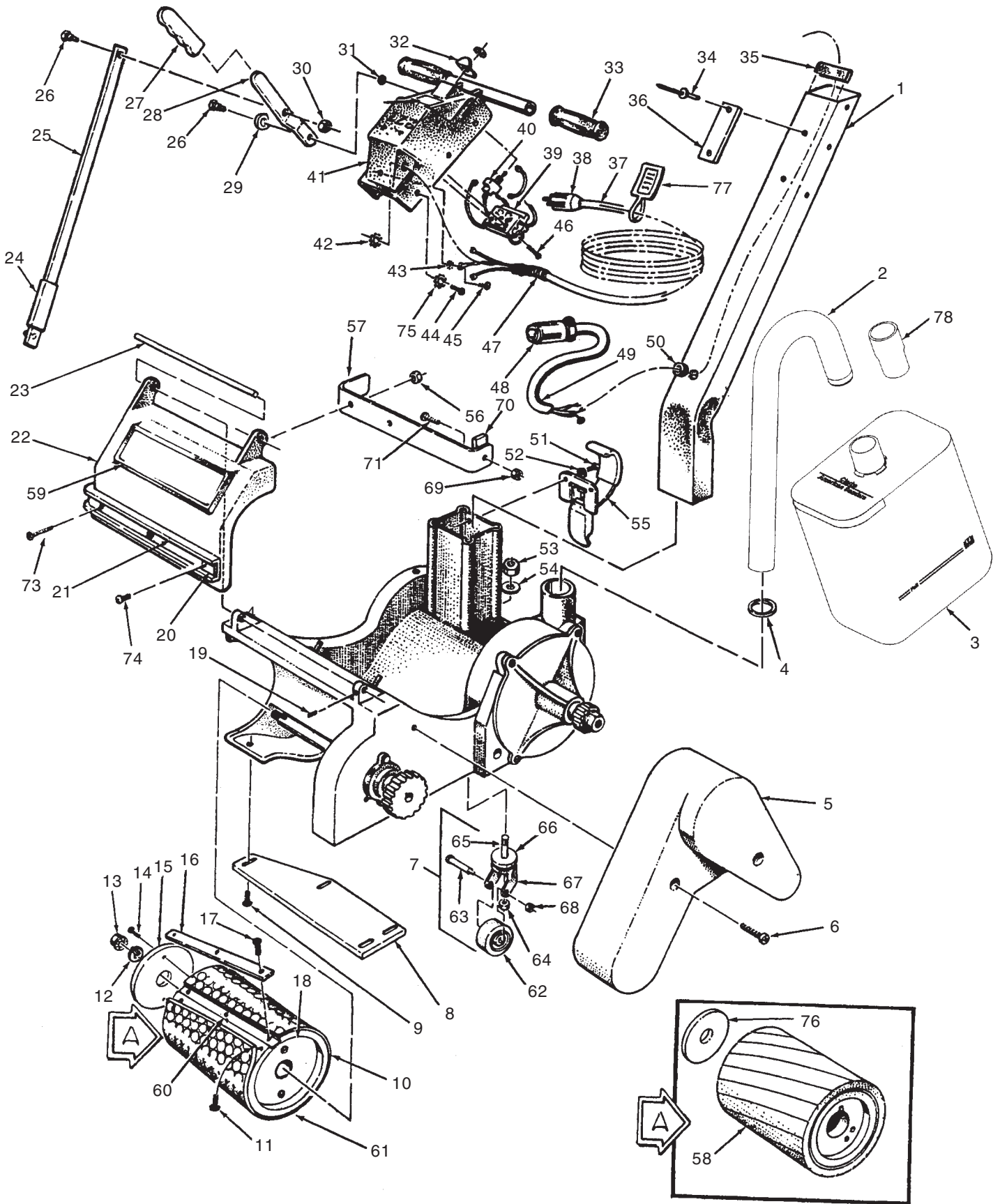
Ref. #	Part No.	Description	Qty
1	41949A	Cord, Motor	1
2	912169	Plug L5-15P	1
4	962831	Screw Set 10-32 x 5/16	3
5	170686	Nut Conduit 1/2	1
6	61089A	Pulley, Fan/Drum	1
7	80027A	Screw 5/16 -18x1 Sq. Neck	6
8	50917A	Belt, Fan	1
9	50916A	Belt, Drum	1
10	22122A	Cover, Fan	1
11	902567	Bearing	2
12	915561	Key, Hardened	2
13	920196	Nut 1/2-13 Jam	1
14	66159A	Pulley, Fan	1
15	167312	Ring, Retaining	1
16	962798	Screw 10-24 x 1/2	3
17	67457A	Shaft, Fan	1
18	980681	Washer, Bowed	1
19	877307	Ring, Retaining	1
20	65005A	Impeller	1
21	60166A	Axle, Truck	1
22	980648	Spacer	3
23	59945A	Wheel	2
24	86113A	Screw 1/2-13 x 2	1
25	920365	Nut 1/2 - 13 Nylock	2
26	80501A	Key 3/16 X 1 1/4	1
27	81211A	Nut, Flanged 5/16-18	2
28	962689	Screw Set 1/4-28 x 1/4	4
29	66161A	Pulley, Drum	1
30	86114A	Screw 1/2-13 x 2 1/2	1

Ref. #	Part No.	Description	Qty
31	915082	Key 3/16 X 3/16 X 3/4	1
32	51178A	Bearing, Arbor	2
33	81211A	Nut, Flanged 5/16-18	4
34	67459A	Shaft, Arbor Clamp	1
35	60434A	Arm, Truck Level	1
36	85835A	Screw 1/4-20x 2 1/2	1
37	920196	Nut, 1/2-13 Jam	1
38	980645	Washer 3/8 SAE	2
39	60435A	Arm, Truck, Lift	1
40	920110	Nut 5/16-18 ESNA	1
41	65707A	Link Adjust	1
42	58698A	Spring, Truck Leveling 1	
43	58699A	Spring, Drum, Pressure	1
44	80026A	Bolt, Shoulder 3/8 x 1/2	1
45	920284	Nut 1/4 ESNA	1
46	68015A	Stud	2
47	69031A	Spacer, Shim	1
48	82504A	Pin, Clevis 5/16 X 3/4	1
49	25903A	Frame, Main	1
50	81208A	Nut Flanged 5/16-24	2
51	44642A	Motor, 1.5Hp 115V/60Hz	1
	44648A	Motor, 1.5 Hp 230V/50Hz	1
52	170637	Relief, Strain	1
53	915580	Key 3/16 X 1 1/2	1
54	57423A	Ring, Retaining	1
55	77234A	Label, Lifting Warning	1
56	51095A	Cover, Capacitor	1
57	40545A	Fan	1
58	52465A	Cover, Fan	1

**Motor Parts Not Illustrated**

Motor 44642A			Motor 44648A		
Part No.	Description	Qty	Part No.	Description	Qty
41306A	Capacitor Run	1	41308A	Capacitor Run	1
41307A	Capacitor Start	1	41309A	Capacitor Start	1
47390A	Starter Switch (Cubical)	1	47392A	Thermal Switch	1
47409A	Starter Switch (Cylindrical)	1			
47391A	Thermal Switch	1			

**Clarke**  
**American Sanders**  
**EZ-8 Sander**  
**Assembly Drawing #2 2/07**



**Clarke®  
American Sanders**

**EZ-8 Sander  
Assembly Parts List #2 2/07**

Ref. #	Part No.	Description	Qty
1	69106A	Tube, Handle	1
2◆	61897A	Tube, Dust	1
3◆	53741A	Bag, Dust	1
4	68285A	Support Tube	1
5	23807A	Guard, Belt	1
6	962988	Screw ¼-20 x 1¼	2
7	52125A	Caster Asm. Complete	1
8	67612A	Shoe, Dust	1
9	962826	Screw 10-24 x ¾	4
10	32364A	Cover, Drum	1
11	962823	Screw ¼-20x½	13
12	65310A	Key, Washer	1
13	920365	Nut ½ - 13 Nylock	3
14	85313C	Screw 6-32 x ¾	4
15	68613A	Plate, End	1
16	162007	Clamp, Paper	1
17	962733	Screw 12-24 x 1	3
18	62711A	Drum, Clamp Style	1
19	962170	Screw Set 10-24 x ¼	1
20	66948A	Retainer, Bumper	1
21	31223A	Bumper, Front	1
22	22123A	Cover, Front	1
23	64469A	Handle, Front	1
24	61659A	Collar	1
25	65706A	Link, Control	1
26	960952	Bolt, Shoulder ¾x¾	2
27	34609A	Grip, Lever	1
28	65618A	Lever, control	1
29	980022	Washer, Wave	1
30	920110	Nut 5/16 - 18 ESNA	1
31	980645	Washer ¾ SAE	2
32	63928A	Guard, Switch	1
33	34610A	Grip, Handle	2
34	930093	Rivet 1/8	2
35	97100A	Trim, Vinyl, Black	Ref
36	74052A	Plate Safety	1
37	42183A	Cord Set, Power 115V 1	
	42184A	Cord Set, Power 230V 1	
38	911248	Plug 5-15P	1
39	41807A	Contactactor	1
	41808A	Contactactor 230V	1

NOTE: ◆ indicates a change has been made since the last publication of this manual.

Ref. #	Part No.	Description	Qty
40	47387A	Switch, Control	1
41	24525A	Housing Control	1
42	81210A	Nut, Fixture ¾ PT	1
43	980675	Washer	1
44	962677	Screw 10-24 x ¾	6
45	962826	Screw 10-24 x ¾	1
46	962109	Screw 10-24 x 5/8	2
47	337504	Relief, Strain	1
48	911461	Adapter L5-15R	1
49	41948A	Cord, Interconnect	1
50	51523A	Relief, Strain	1
51	962094	Screw ¼-20 x ¾	2
52	170892	Washer, ¼ Lock	2
53	920196	Nut, ½-13 Jam	1
54	980648	Washer ½	1
55	55711A	Latch	1
56*	920296	Nut #10 ESNA	2
57*	69098A	Wear, Strip	1
58*	21011A	Drum Expansion	1
	11115A	Recond. Expander Complete	1
59	70488A	Logo	1
60	65103A	Insert	3
61	13507A	Asm., Drum, Clamp includes 10, 18, 11, 14, 15, 16, 17, & 60	1
62	59960A	Wheel Caster	1
63	80012A	Bolt, Shoulder 5/16 x 1½	1
64	81307A	Nut, 7/16 - 14 Jam	1
65	67468A	Shaft, Caster	1
66	51194B	Bearing, Caster	2
67	29405A	Yoke, Caster	1
68	920284	Nut, ¼-20 ESNA	1
69*	81217A	Nut, ¼-20 x .218H Nylk.	2
70*	60906A	Block, Wear	2
71*	962505	Screw, ¼-20 x 5/8	2
72*	77299A	Label, Caution	1
73*	85381A	Screw, 10-24 x ¾ PN-SB	2
74	85517A	Screw, 10-24 x ½ PN-SB	5
74*	85517A	Screw, 10-24 x ½ PN-SB	3
75	980603	Washer, #10 Lock Ext. Th.	1
76*	68651A	Plate Drum End	2
77	70175A	Tag Warning	1
78	30563A	Adapter, 2" to 1½"	1

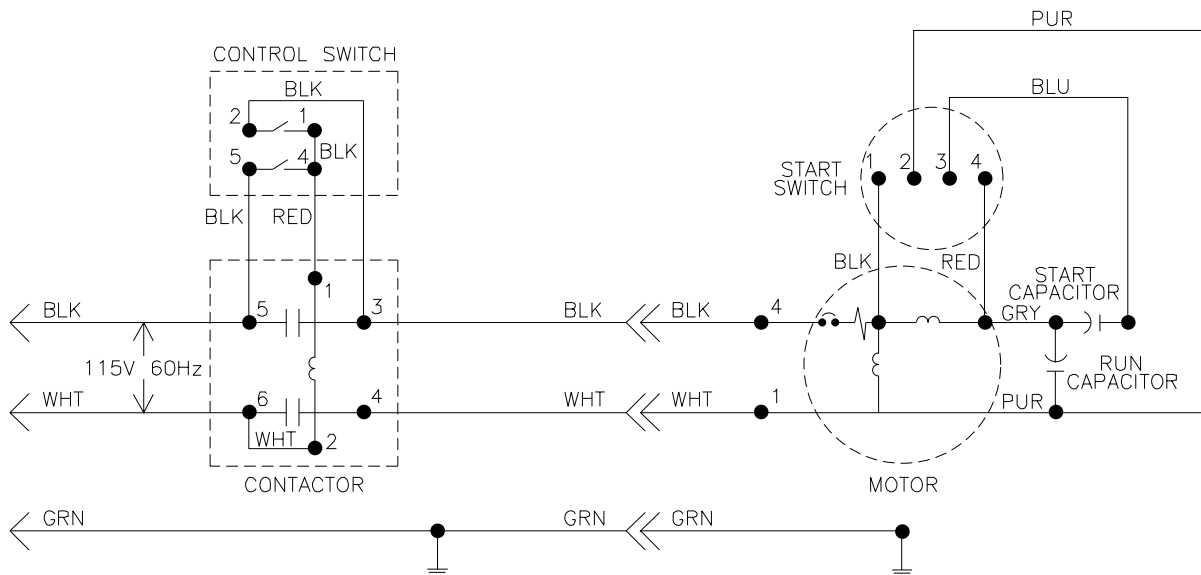
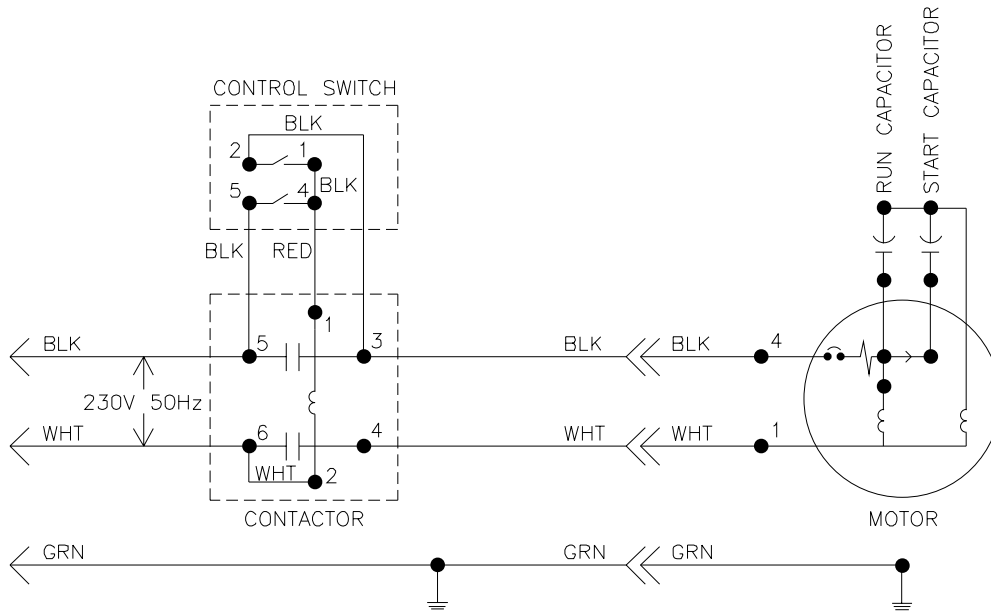
\*NOTE: Equipped on sleeve units only

**Accessories Available:**

13509A- Three hole-paper clamp bar, packaged with three clamp screws



**Clarke**  
**American Sanders**  
**EZ-8 Sander**  
**Wiring Diagram 9/92**



# CLARKE PRODUCT SUPPORT BRANCHES

## U. S. A. Locations

### PRODUCTION FACILITIES

**Clarke®**, Springdale, Arkansas  
2100 Highway 265  
Springdale, Arkansas 72764  
(479) 750-1000  
*Customer Service - 1-800-253-0367*  
*Technical Service - 1-800-356-7274*

### SERVICE FACILITIES

**Clarke®**, Elk Grove, Illinois 60007  
2280 Elmhurst Road  
(847) 956-7900

**Clarke®**, Denver, Colorado 80204  
1955 West 13th Ave.  
(303) 623-4367

**Clarke®**, Houston, Texas 77040  
7215 North Gessner Road  
713-937-7717

### SERVICE AND SALES FACILITY

**American Lincoln® / Clarke**, Madison Heights,  
Michigan 48071-0158  
29815 John R.  
(810) 544-6300

**American Lincoln® / Clarke**, Marietta, Georgia 30066  
1455 Canton Road  
(770) 973-5225

---

**Clarke®**

**Clarke American Sanders**

**A.L. Cook**

**Customer Service Headquarters and Factory**  
2100 Highway 265  
Springdale, Arkansas 72764  
(479) 750-1000

**Technical Service**  
1-800-356-7274

**Website**  
[www.clarkeus.com](http://www.clarkeus.com)

## European Locations

### PRODUCTION FACILITIES

ALTO Danmark A/S, Aalborg  
Blytaekervej 2  
DK-9000 Aalborg  
+45 72 18 21 00

ALTO Danmark A/S, Hadsund  
Industrikvarteret  
DK-9560 Hadsund  
+45 72 18 21 00

### SALES SUBSIDIARIES

ALTO US - Canada, Ontario (Canada)  
4080 B Sladeview Crescent Unit 1  
Mississauga, Ontario L5L 5Y5  
(905) 569 0266

ALTO Overseas Inc., Sydney (Australia)  
1B/8 Resolution Drive  
Caringbah NSW 2229  
+61 2 9524 6122

ALTO Cleaning Systems Asia Pte Ltd., Singapore  
No. 17 Link Road  
Singapore 619034  
+65 268 1006

ALTO Deutschland GmbH, Bellenberg (Germany)  
Guido-Oberdorfer-Straße 2-8  
89287 Bellenberg  
+49 0180 5 37 37 37

ALTO Cleaning Systems (UK) Ltd., Penrith  
Gilwilly Industrial Estate  
Penrith  
Cumbria CA11 9BN  
+44 1768 868 995

ALTO France S.A. Strasbourg  
B.P. 44, 4 Place d'Ostwald  
F-67036 Strasbourg  
Cedex 2  
+33 3 8828 8400

ALTO Nederland B.V.  
Postbus 65  
3370 AB Hardinxveld-Giessendam  
The Netherlands  
+31 184 677 200

ALTO Sverige AB, Molndal (Sweden)  
Aminogatan 18  
Box 4029  
S-431 04 Molndal  
+46 31 706 73 00

ALTO Norge A/S, Oslo (Norway)  
Bjornerudveien 24  
N-1266  
+47 2275 1770

## **Clarke® American Sanders U. S. Warranty**

This Clarke American Sanders Industrial/Commercial Product is warranted to be free from defects in materials and workmanship under normal use and service for a period of one year from the date of purchase, when operated and maintained in accordance with Clarke American Sanders' Maintenance and Operations Instructions.

This warranty is extended only to the original purchaser for use of the product. It does not cover normal wear parts such as electrical cable or V-belts.

If difficulty develops with the product, you should:

(a). Contact the nearest authorized Clarke American Sanders repair location or contact the ALTO Service Operations Department, 2100 Highway 265, Springdale, Arkansas 72764, for the nearest authorized Clarke American Sanders repair location. Only these locations are authorized to make repairs to the product under this warranty.

(b). Return the product to the nearest Clarke American Sanders repair location. Transportation charges to and from the repair location must be prepaid by the purchaser.

(c). Clarke American Sanders will repair the product and or replace any defective parts without charge within a reasonable time after receipt of the product.

Clarke American Sanders' liability under this warranty is limited to repair of the product and/or replacement of parts and is given to purchaser in lieu of all other remedies, including INCIDENTAL AND CONSEQUENTIAL DAMAGES.

THERE ARE NO EXPRESS WARRANTIES OTHER THAN THOSE SPECIFIED HEREIN. THERE ARE NO WARRANTIES WHICH EXTEND BEYOND THE DESCRIPTION OF THE FACE HEREOF. NO WARRANTIES, INCLUDING BUT NOT LIMITED TO WARRANTY OF MECHANICALITY, SHALL BE IMPLIED. A warranty registration card is provided with your Clarke American Sanders product. Return the card to assist Clarke American Sanders in providing the performance you expect from your new floor machine.

Clarke, 2100 Highway 265, Springdale, Arkansas 72764.

**Clarke American Sanders reserves the right to make changes or improvements to its machine without notice.**

**Always use genuine Clarke American Sanders Parts for repair.**

**Clarke®**  

---

**American Sanders**

**2100 Highway 265  
Springdale, Arkansas, 72764**

## Free Manuals Download Website

<http://myh66.com>

<http://usermanuals.us>

<http://www.somanuals.com>

<http://www.4manuals.cc>

<http://www.manual-lib.com>

<http://www.404manual.com>

<http://www.luxmanual.com>

<http://aubethermostatmanual.com>

Golf course search by state

<http://golfingnear.com>

Email search by domain

<http://emailbydomain.com>

Auto manuals search

<http://auto.somanuals.com>

TV manuals search

<http://tv.somanuals.com>