

Clarke®

D14 & D18 Upright Vacuum



Operator's Manual Manuel d'utilisation Libro de Instrucciones



READ THIS BOOK

LEA ESTE MANUAL

LISEZ CE MANUEL

EN

English (2 - 15)

ES

Español (16 - 29)

FR

Français (30 - 42)

This book has important information for the use and safe operation of this machine. Failure to read this book prior to operating or attempting any service or maintenance procedure to your Clarke machine could result in injury to you or to other personnel; damage to the machine or to other property could occur as well. You must have training in the operation of this machine before using it. If your operator(s) cannot read this manual, have it explained fully before attempting to operate this machine.

All directions given in this book are as seen from the operator's position at the rear of the machine.

For new books write to: Clarke®, 2100 Highway 265, Springdale, Arkansas 72764.

Table of Contents

Important Safety Instructions 3

Introduction & Machine Specifications 4

Grounding Instructions 5

How To Assemble The Machine 6

The Controls 8

How To Operate The Machine 10

Maintenance 11

How To Change The Filter Bag 11

How To Clean The Filter Cartridge 12

How To Replace The Brush 12

How To Change The Drive Belt 13

The Vacuum Indicator Light 13

The Circuit Breaker 13

Brush Performance Indicator Lights 14

SECTION II Parts and Service Manual

Drawing #1 Assembly 44

Parts List #1 45

Drawing #2 Assembly 46

Parts List #2 47

Electrical Schematic 48

IMPORTANT SAFETY INSTRUCTIONS

For the safe operation of this machine, read and understand all dangers, warnings and cautions. Look for these symbols:

- | | |
|-----------------|--------------------------------------------------------------------------------------------------------------------------------------------|
| DANGER: | If you do not follow the instructions in a DANGER , severe bodily injury or death can occur to the operator and/or other personnel. |
| WARNING: | If you do not follow the instructions in a WARNING , injury can occur to you or to other personnel. |
| CAUTION: | If you do not follow the instructions in a CAUTION , damage can occur to the machine. |

WARNING: To reduce the risk of fire, electric shock, or injury:

1. You must have training in the operation of this machine before using it. **READ THE INSTRUCTION BOOK.**
2. Do not use outdoors or on wet surfaces.
3. Do not leave vacuum cleaner unattended when plugged in. Turn off the switch and unplug the electrical cord when not in use and before servicing.
4. Do not allow to be used as a toy. Close attention is necessary when used by or near children.
5. Use only as described in this manual. Use only manufacturer's recommended attachments.
6. Do not use with damaged cord or plug. If vacuum cleaner is not working as it should, has been dropped, damaged, left outdoors, or dropped into water, return it to a service center.
7. Do not pull or carry by cord, use cord as a handle, close a door on cord, or pull a cord around sharp edges or corners. Do not run vacuum cleaner over cord. Keep cord away from heated surfaces.
8. Connect to a properly grounded outlet only (refer to Grounding Instructions).
9. Do not use extension cords or outlets with inadequate current carrying capacity.
10. Turn off all controls before unplugging.
11. Do not unplug by pulling on cord. To unplug, grasp the plug, not the cord.
12. Do not handle plug or vacuum cleaner with wet hands.
13. Do not put any objects into openings. Do not use with any opening blocked, keep free of dust, lint, hair, and anything that may reduce airflow.
14. This vacuum cleaner creates suction and contains a revolving brush. Keep hair, loose clothing, fingers and all parts of body away from openings and moving parts.
15. Do not pick up anything that is burning or smoking, such as cigarettes, matches or hot ashes.
16. Belt pulleys can become hot during normal use. To prevent burns, avoid touching the belt pulley when servicing the drive belt.
17. Do not use to pick up flammable or combustible liquids such as gasoline, or use in areas where they may be present.
18. Unplug the machine before servicing the belt or brush. The brush may start suddenly and cause injury.

SAVE THESE INSTRUCTIONS

INTRODUCTION



The D14 and D18 are upright vacuums for cleaning carpet. These machines are used to remove dry material from carpet. These machines are intended for commercial use.

MACHINE SPECIFICATIONS

Model	D14	D18
Power Supply	120V-60 Cycle 230V-50/60 Cycle	120V-60 Cycle 230V-50/60 Cycle
Vacuum Motor	1050 Watts	1050 Watts
Brush RPM	4300 rpm	4300 rpm
Cord	50 ft. 3-wire	50 ft. 3-wire
Wheels (2)	2.7" x 1.25"	2.7" x 1.25"
Wand	21" extends to 33.5"	21" extends to 33.5"
Hose	1.5" x 18.5" extends to 72"	1.5" x 18.5" extends to 72"
Agitator Brush	Chevron Brush Pattern	Chevron Brush Pattern
Cleaning Width	14"	18"
Filter Bags	6 lt, 2-ply disposable	6 lt, 2-ply disposable
Weight (less power cord)	20 lbs.	20.5 lbs.
Shipping Weight	26 lbs	26.75 lbs
Vacuum Dimensions	10.5 x 14.25 x 46.5	10.5 x 14.25 x 46.5
Warranty	One Year	One Year

GROUNDING INSTRUCTIONS

Preparation:

The following are instructions for connection to the power supply and the electrical ground.

This machine must be connected to the electrical ground to protect the operator from electrical shock. The machine has an approved power cord with three conductors and a plug with three terminals. Connect the plug to a receptacle that has three holes and is connected to the electrical ground. The green (or green and yellow) conductor in the cord is the ground wire. Never connect this wire to any terminal other than the ground pin terminal.

⚠ DANGER: Improper connection of the equipment-grounding conductor can result in risk of electric shock. Check with a qualified electrician or service person if you are in doubt as to whether the outlet is properly grounded. Do not modify the plug provided with the appliance. If it will not fit the outlet, have a proper outlet installed by a qualified electrician.

This machine is for use on a 110 to 120 Volt AC 60 cycle electric circuit. Make sure you have the correct frequency and voltage before connecting the power cord to an outlet. The machine has a plug as shown in figure 1.

- ⚠ WARNING:** Always use this machine with an AC three-conductor electrical system connected to the electrical ground. Replace any worn, cut or damaged cords. Replace any damaged plugs, receptacles or connector bodies.
- ⚠ WARNING:** Do not cut, remove, or break the ground terminal. Do not try to fit a three-terminal plug into a receptacle or connector body that does not fit the plug, see your Authorized Clarke Dealer to get an authorized person to make the connection.
- ⚠ WARNING:** Do not move the machine over an electrical cord. Always lift the cord over the machine.

EXTENSION CORDS:

Use only an approved extension cord with three conductors, a plug with three terminals and a connector body with three holes. This machine has a power cord with wire size 18 AWG (AWG means American Wire Gauge).

- ⚠ WARNING:** If you use an extension cord, use an extension cord with minimum wire size 16 AWG. Do not use an extension cord longer than 50 feet. Do not join two extension cords.

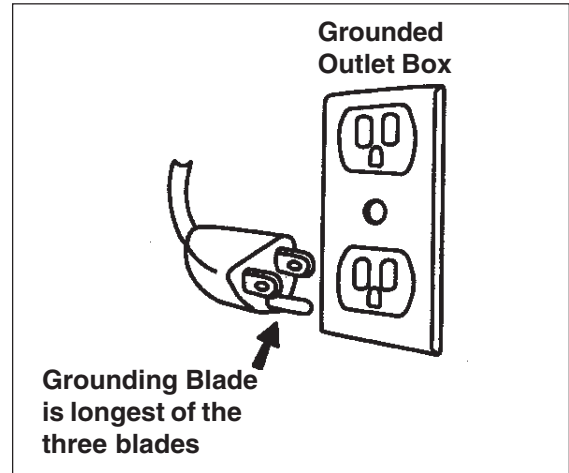


Figure 1

HOW TO ASSEMBLE THE MACHINE

To assemble the machine, follow this procedure:

1. Remove the brush housing, vacuum bags, hose, wand, handle assembly, canister housing, and tools from the carton.
2. Remove the canister housing and the brush housing from the plastic bags.
3. Install the canister housing on the brush housing. To install the canister housing, follow this procedure:
 - a. Position canister housing over brush housing (see figure 2).
 - b. Align pivot airway (A) and canister support pivot (B) with openings (C and D) in bottom of canister housing (see figure 2).
 - c. Lower canister housing completely onto brush housing until pin clicks into place and latches (see figure 3).
4. Install the handle assembly to the canister housing. To install the handle assembly, follow this procedure:
 - a. Insert handle tube in the upper canister housing (see figure 4).
 - b. Lower handle completely into canister housing until mark on handle tube is below flush (see figure 5, item A). This insures the handle is properly seated.
 - c. Push handle latch into lock position (see figure 5, item B).

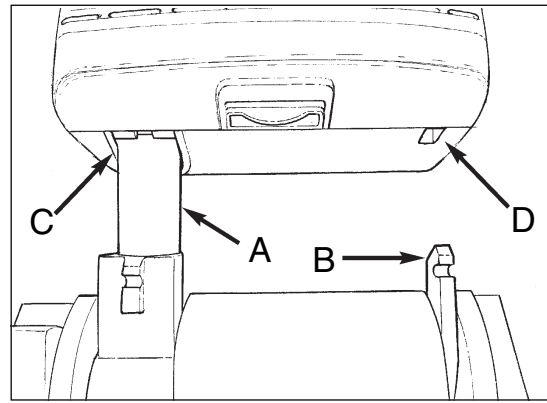


Figure 2

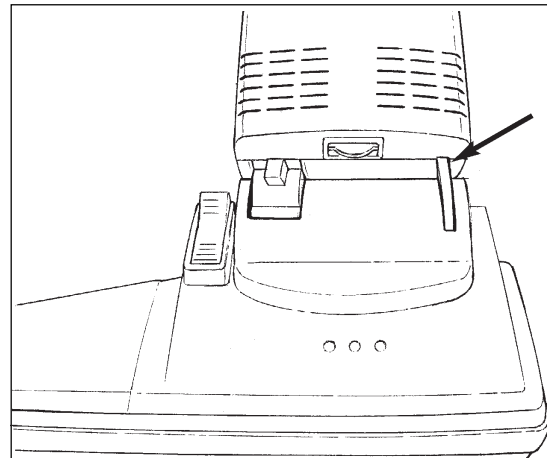


Figure 3

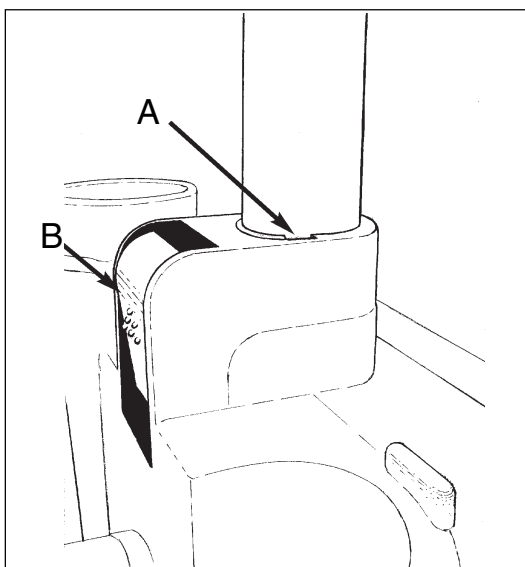


Figure 5

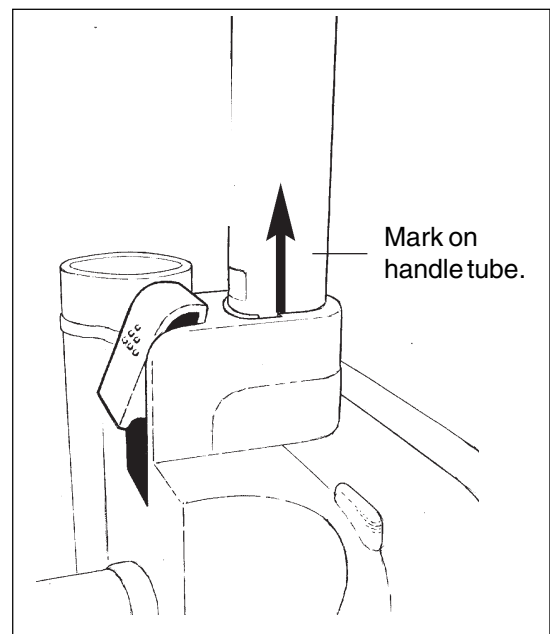


Figure 4

5. Install the wand assembly in the right rear canister housing (see figure 6, item A).
6. Position wand handle so that handle is towards the front of the machine (see figure 7, item A).
7. Attach hose to wand and canister (see figure 7). To attach hose properly, depress lock on canister (see figure 7, item B).
8. Snap the crevice (B) and upholstery (C) tools into the tool retainers on rear of canister housing (see figure 6).

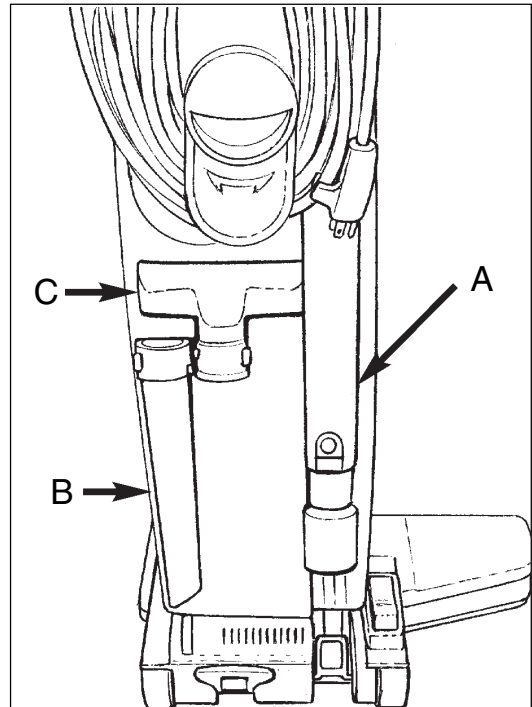


Figure 6

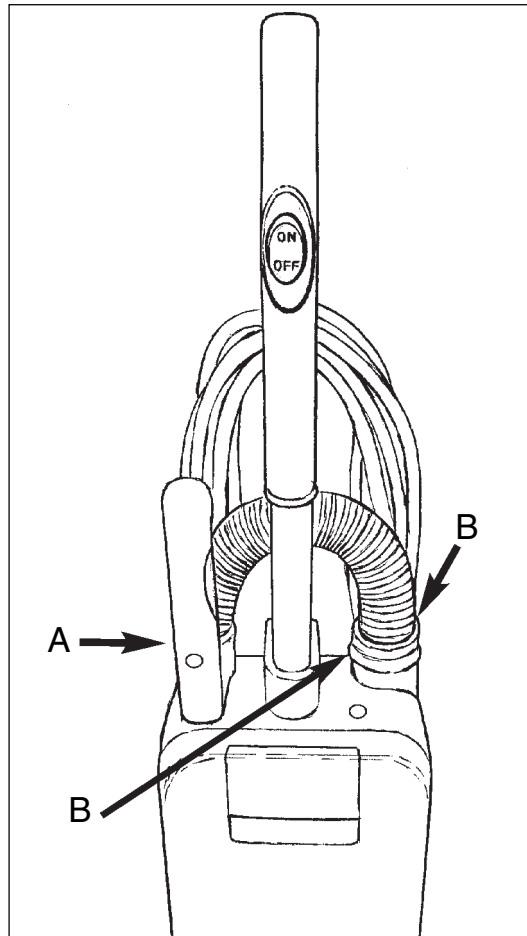


Figure 7

THE CONTROLS

The Handle Release Pedal (See figure 8, item A)

The handle release pedal is on the lower left side of the machine. Press the pedal to release the handle and start the brush motor. The brush motor will not run unless the ON/OFF switch is in the "I" position.

The ON/OFF Switch (See figure 9)

The ON/OFF switch is on handle. Put the switch in the "I" position to start the vacuum motor. Put the switch in the "O" position to stop the vacuum motor. Putting the switch in the off position will also shut off the brush motor.

The Height Adjustment (See figure 8, item B)

The height adjustment is located on the lower right side of the machine. Press the front of the pedal with your foot when vacuuming shorter carpet. Press the back of the pedal with your foot when vacuuming thicker, longer carpet.

The Wand (See figure 8, item C)

The wand is in the holder in the back of the canister housing. The wand has a telescoping feature (see figure 11). The crevice tool and the upholstery tools fit the end of the wand. The wand has a suction control sleeve (see figure 10). For normal vacuuming keep suction control sleeve closed. To reduce suction, when cleaning drapes or furniture, open suction control sleeve.

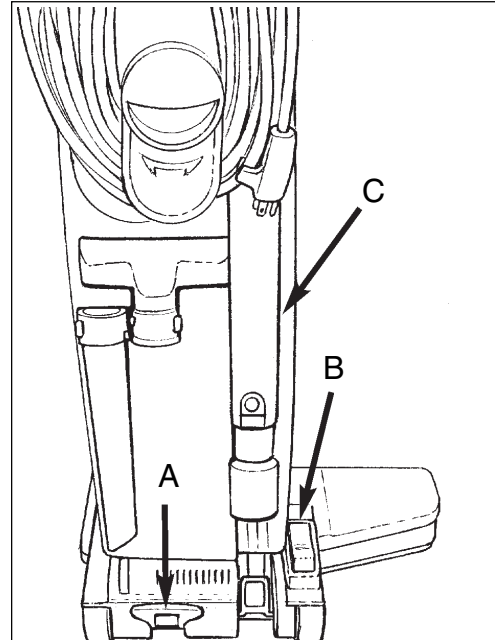


Figure 8

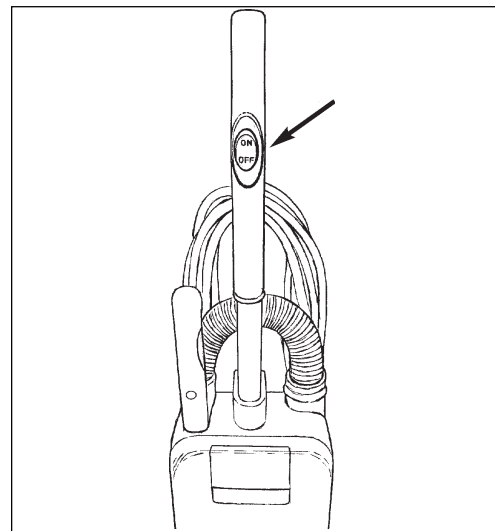


Figure 9

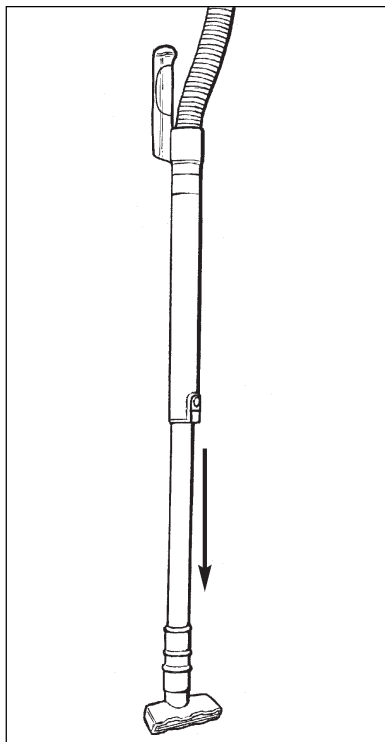


Figure 11

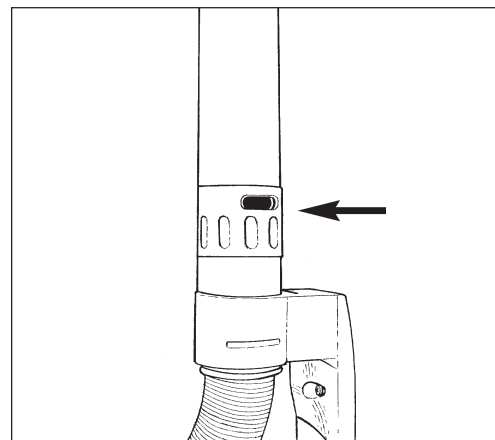


Figure 10

Canister Door (See figure 12, item A)

The canister door release is in the upper part of the canister housing. Lift to open door.

NOTE: Door will not close without a properly mounted filter bag. See page 15 for filter bag mounting instructions.

The Vacuum Indicator Light (See figure 12, item B)

The vacuum indicator light is on the top of the canister housing. The indicator light comes on when the airflow to the vacuum motor is obstructed.

NOTE: See page 17 for instructions on how to remove an obstruction.

The Cord Storage Hooks (See figure 13)

The cord storage hooks are on the back of the canister housing. The lower cord hook is also a carrying handle. The lower cord hook rotates to provide a quick cord release and to ease cord removal.

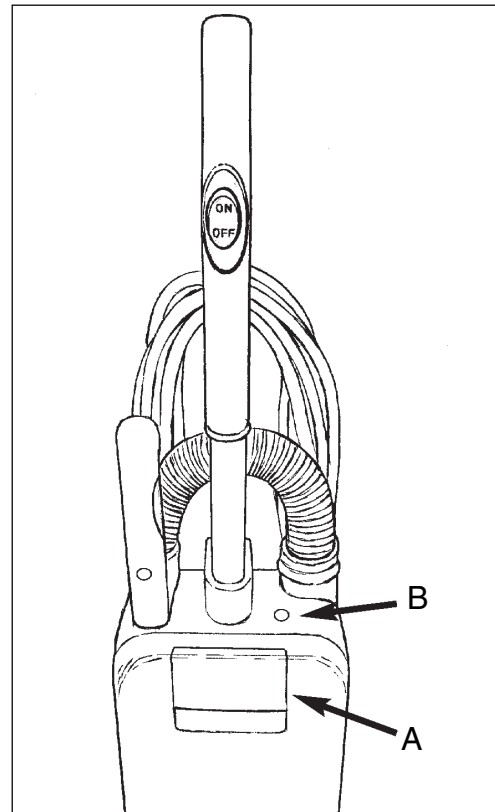


Figure 12

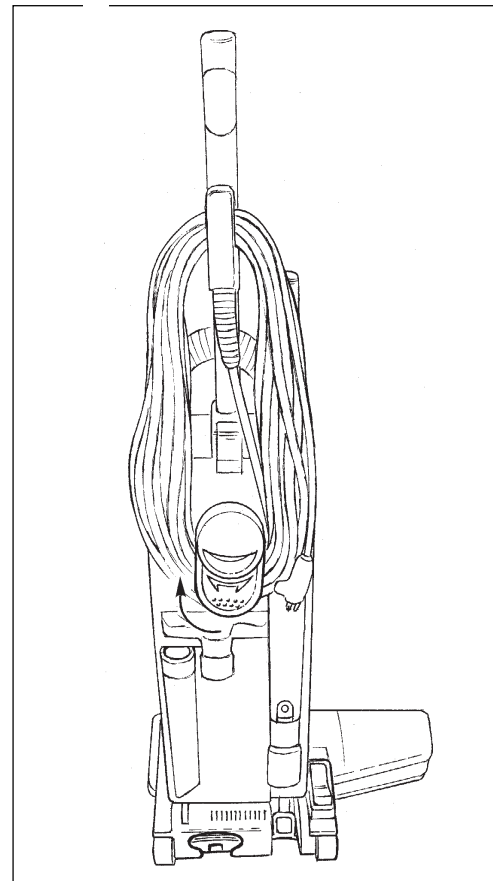


Figure 13

HOW TO OPERATE THE MACHINE

CAUTION: To prevent damage to the machine, do not allow large objects to be pulled into the lower housing or the attachments.

NOTE: The machine comes with a filter bag installed in the canister housing.

Use the D14 & D18 as a carpet cleaner or as an upholstery cleaner. To operate the machine as a carpet cleaner, follow this procedure:

1. Remove the power cord from the cord storage hooks, by rotating the lower cord hook 180° (see figure 14).
2. Connect the electrical plug to the electrical outlet.
3. Put the ON/OFF switch in the "I" position (see figure 9).
4. Press the handle release pedal (see figure 8, item A).
5. Pull the handle toward you to the best operating position.
6. Move the machine forward and backward over the carpet.

To operate the machine as an upholstery cleaner, follow this procedure.

1. Make sure the ON/OFF switch is in the "O" position.
2. Push the handle forward until it locks in position.

NOTE: the machine comes with a crevice tool attachment and an upholstery tool attachment. Select the tool needed for the cleaning operation.

3. Remove the wand from the canister housing.
4. Connect an accessory tool to the end of the wand, or directly to the hose (see figures 15 and 16).

NOTE: Push button on wand handle to release the hose from the wand (see figure 16, item A).

5. Put the ON/OFF switch in the "I" position.
6. Move the tool over the area to be cleaned.

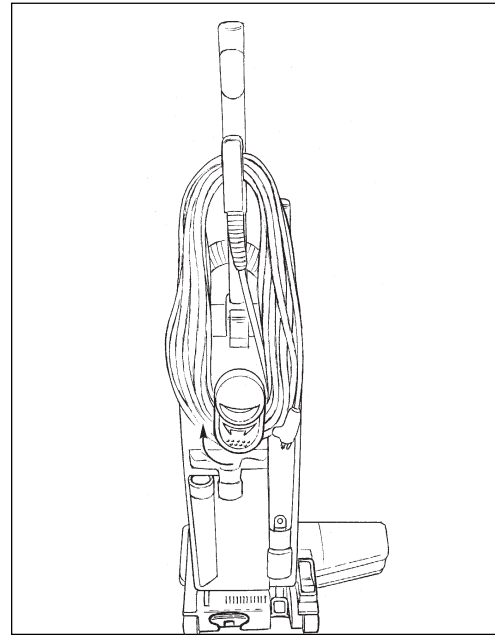


Figure 14

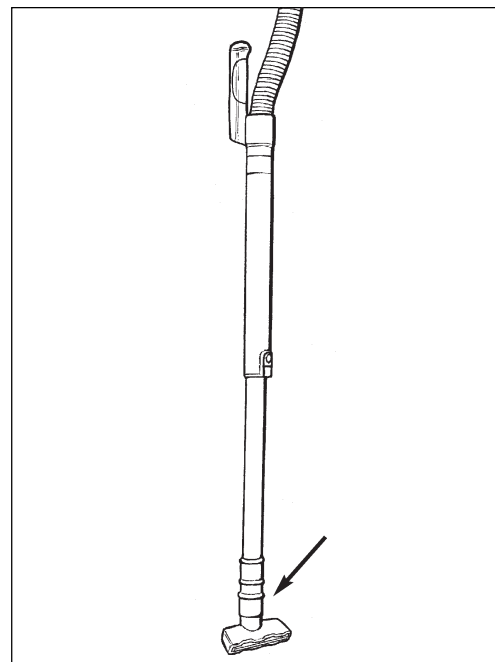


Figure 15

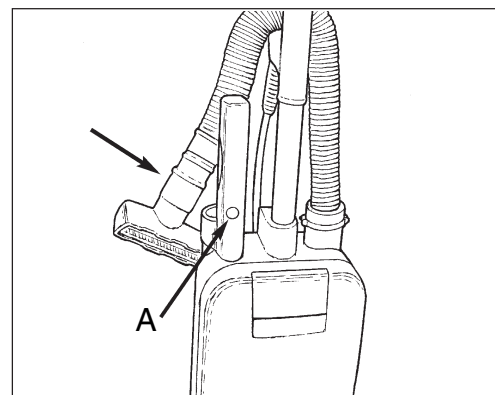


Figure 16

MAINTENANCE

! WARNING: To prevent injury, always remove the electrical plug from the electrical outlet before doing any maintenance or repairs to the machine.

! WARNING: Maintenance and repairs must be done by authorized personnel only. Use only genuine Clarke parts.

How To Change The Filter Bag

The machine uses a disposable paper filter bag. To change the paper filter bag, follow this procedure:

1. Make sure the ON/OFF switch in the "O" position and that the machine is disconnected from the power supply.
2. Open the front of the canister housing. To open the canister housing, lift the release handle (see figure 17).
3. Grasp cardboard inlet on both sides of the bag (see points A and B on figure 19) and slightly rotate and pull bag out.
5. Install a new filter bag. To install a new filter bag, follow this procedure:
 - a. Unfold the filter bag.
 - b. Hold the bag by the cardboard inlet.
 - c. Place the bottom of the cardboard inlet into the slot under the bag adaptor (see figure 18, item A)
 - d. Put the opening of the cardboard inlet over the bag adapter (see figure 18, item B).
 - e. Make sure the cardboard is pushed all the way on the bag adapter (figure 19) or the door will not latch.
 - f. Close the canister housing.

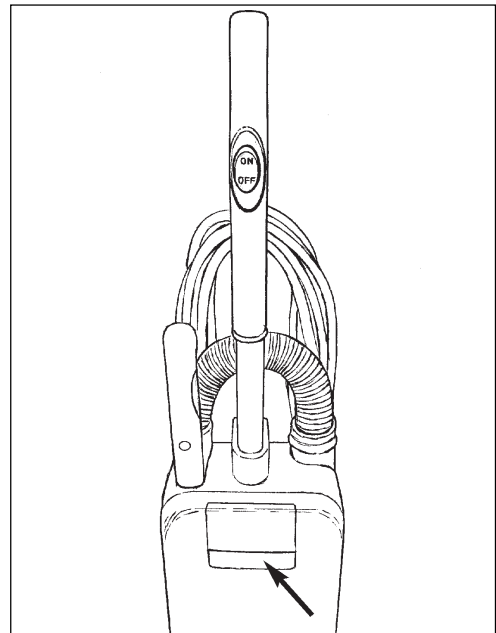


Figure 17

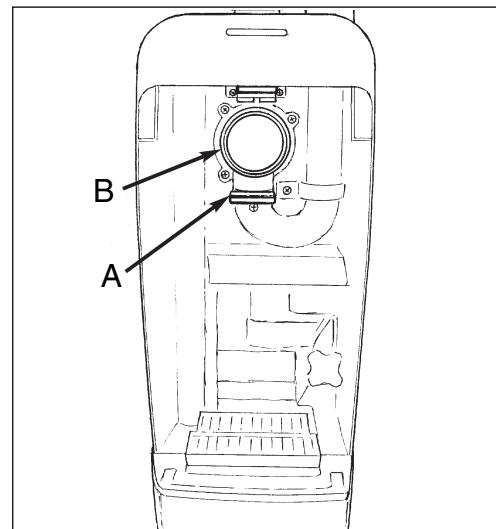


Figure 18

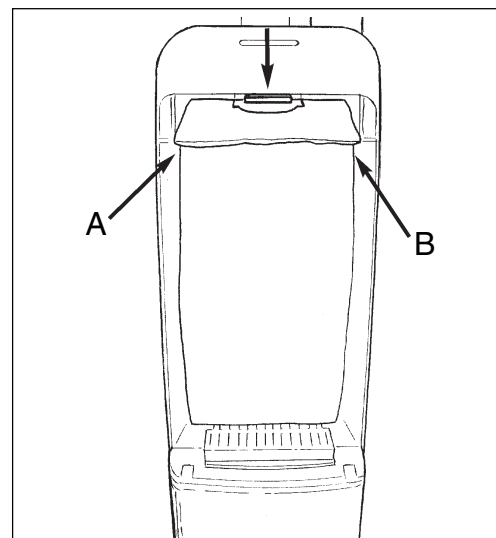


Figure 19

How To Change The Filter Cartridge

Change the filter cartridge whenever it is dirty or suction performance decreases. To change the filter cartridge, follow this procedure:

1. Make sure the ON/OFF switch is in the "O" position and the machine is disconnected from the power supply.
2. Open the canister door.
3. Remove the filter bag.
4. Remove the filter cartridge (see figure 20).
5. Replace filter cartridge and filter bag (see figure 21).

CAUTION: Check the filter cartridge while changing the paper bag. Replace the filter cartridge when dirty or when the vacuum suction performance drops off even with a clean filter bag.

How To Replace The Brush

WARNING: To prevent injury, unplug machine before cleaning or replacing brush. Brush may start suddenly and cause injury.

1. Put the machine on its side.
2. Turn the knobs which secure the nozzle plate. See figure 22.
3. Lift the nozzle plate up to remove it.
4. Lift the brush assembly up to remove it.
5. Install the new brush assembly.
6. Install the nozzle plate.
7. Put the machine on its wheels.

WARNING: To reduce the risk of injury from moving parts, unplug before servicing.

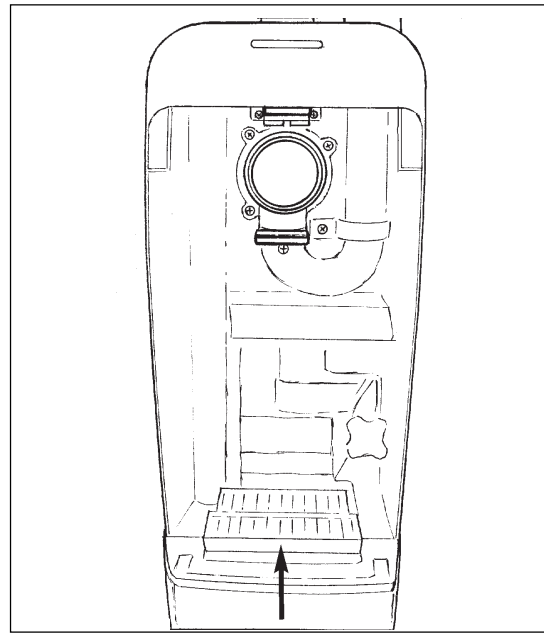


Figure 20

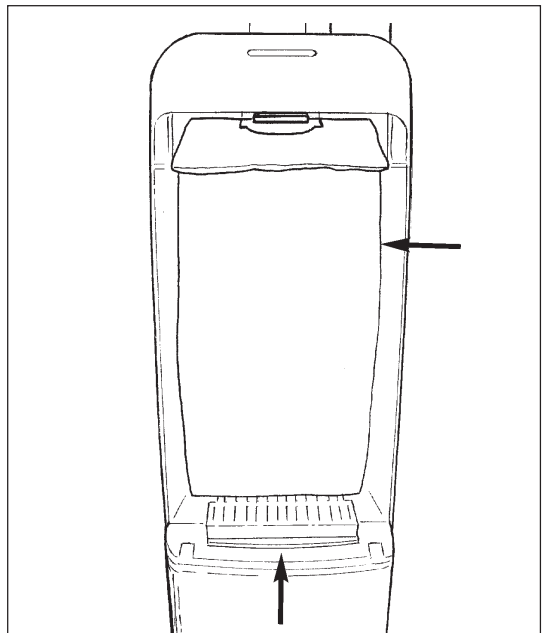


Figure 21

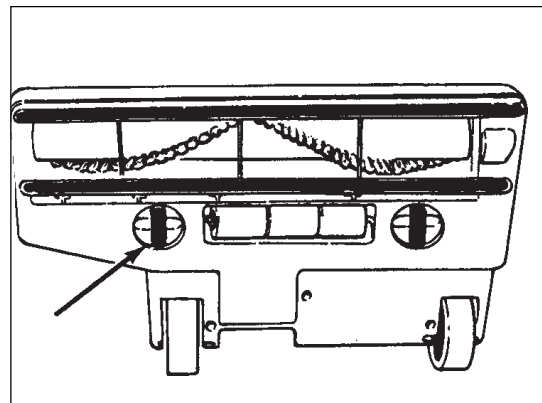


Figure 22

How To Change the Drive Belt

⚠ WARNING: To prevent injury, unplug machine before cleaning or replacing brush. Brush may start suddenly and cause injury.

To change the drive belt, follow this procedure:

1. Put the machine on its side.
2. Lift the nozzle plate up to remove it.
3. Lift the brush assembly up to remove it (see figure 23).
4. Remove the drive belt from the brush pulley.
5. Remove the drive belt from the motor shaft.
6. Put one end of the new drive belt around the motor shaft.
7. Put the other end of the drive belt around the brush pulley.
8. Install the brush assembly in the brush housing.
9. Install the nozzle plate.
10. Put the machine on its wheels.

⚠ WARNING: To reduce the risk of injury from moving parts, unplug before servicing.

The Vacuum Indicator Light

If the vacuum indicator light (1) comes on, (see figure 24) or the motor stops, do the following:

1. Put the ON/OFF switch in the "O" position (2).
2. Remove the electrical plug from the electrical outlet.
3. Check the vacuum hose for an obstruction. If there is an obstruction in the vacuum hose, remove the obstruction.
4. Check the brush assembly in the lower housing. If there is an obstruction in the brush assembly, remove the obstruction.
5. Check the filter bag. If the filter bag is over 1/2 full, change or empty the bag.
6. Check the filter cartridge. If the filter is dirty, change the filter.

Thermal Overload

A thermal overload is used to protect the vacuum motor. If the motor over heats, the thermal overload will stop the motor. If the motor stops, let the motor cool before restarting the machine. Check filters. If the motor continues to stop, consult an authorized service person.

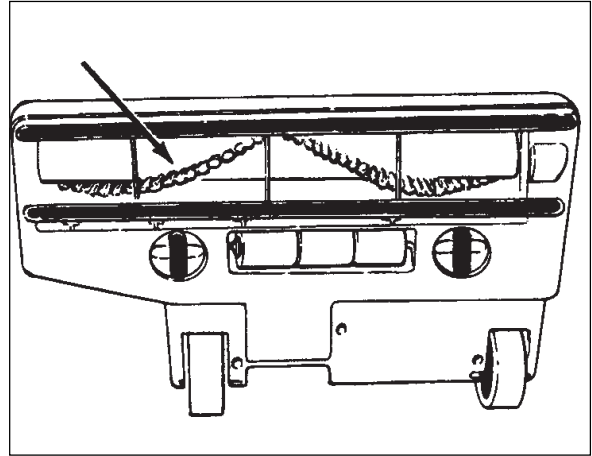


Figure 23

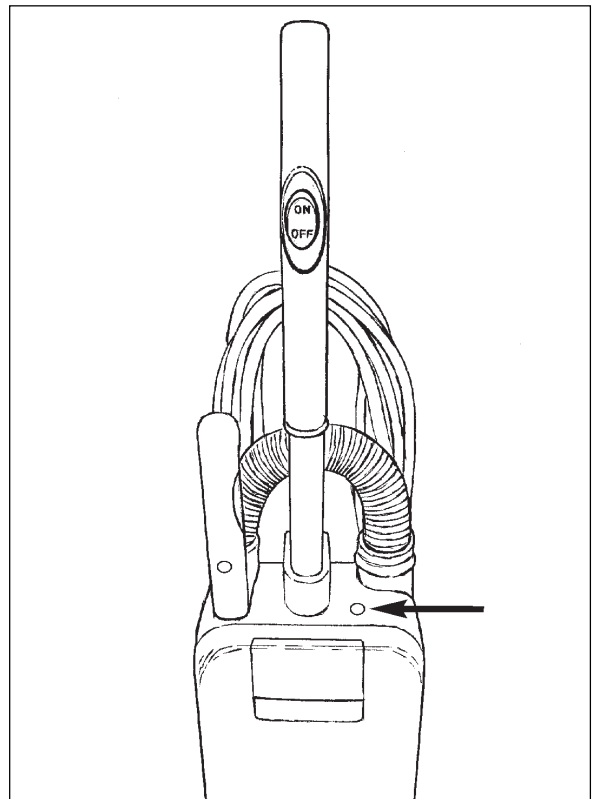


Figure 24

BRUSH PERFORMANCE INDICATOR LIGHTS

The D14 and D18 upright vacuums have 3 brush performance indicator lights (see figure 25). They are **GREEN**, **YELLOW** and **RED**. They work in the following manner:

Normal Operation:

- The **GREEN** light is on when the brush drive motor is on and the brush height setting is correct for the carpet.

NOTE: It is normal for the red or yellow light to intermittently turn on and off as high or low surfaces are encountered.

Brush Height Too High:

- The **YELLOW** light will continue to stay on when the brush height is too high for the carpet. Lower the brush height setting.

Brush Height Too Low or Brush Has Jammed:

- The **RED** light will continue to stay on when the brush height setting is too low for the carpet. Raise the brush height setting. The **RED** light will come on if the brush is jammed.
- If the **RED** light is on continuously for 10 seconds, the electronic safety stop will protect the brush motor by turning it off.
- To reset the brush drive motor, put the operating handle in the upright position. Turn the **ON/OFF** switch to the off position. Restart the machine.
- If the brush height was too low, raise the brush height setting.
- If the brush was jammed, unplug the vacuum and clear the brush.

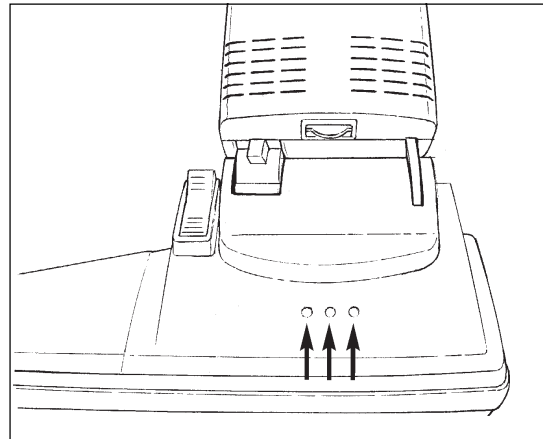


Figure 25

LEA ESTE MANUAL

Este manual contiene información importante acerca del uso y la seguridad de la máquina. Si no lee el manual antes de utilizar su máquina Clarke o de intentar realizar los procedimientos de reparación o mantenimiento de la misma, usted o el resto del personal podrían sufrir lesiones; asimismo, podrían producirse daños a la máquina o a otras propiedades. Antes de utilizar la máquina, es necesario recibir la capacitación adecuada en la operación de la misma. Si el operador de la máquina no sabe leer en inglés, explíquelo el manual exhaustivamente antes de que intente utilizarla.

Todas las indicaciones incluidas en este manual se ofrecen desde la posición del operador en la parte posterior de la máquina.

Si desea conseguir nuevos manuales, escriba a: Clarke®, 2100 Highway 265, Springdale, Arkansas 72764.

Table of Contents

Instrucciones importantes de seguridad 17

Introducción y especificaciones de la máquina 18

Instrucciones para la conexión a tierra 19

Ensamblado de la máquina 20

Los Mandos 22

Operación de la máquina 24

Mantenimiento 25

Cambio de la bolsa de filtrado 25

Limpieza del cartucho del filtro 26

Reemplazo del cepillo 26

Cambio de la correa de transmisión 27

Luz indicadora de aspiración 27

Disyuntor 27

Luces indicadoras del funcionamiento del cepillo 28

SECCIÓN II Piezas de Repuesto y libro de servicio

Plano #1 44

Listado de Piezas 45

Plano #2 46

Listado de Piezas de 47

Diagrama eléctrico 48

INSTRUCCIONES DE SEGURIDAD IMPORTANTES

Para el funcionamiento seguro de esta máquina, lea detenidamente todos los peligros, advertencias y precauciones. Preste atención a estos símbolos:

- PELIGRO:** Si no se siguen estas instrucciones en caso de **PELIGRO**, el operador u otro personal podrían resultar con lesiones severas o incluso podrían morir.
- ADVERTENCIA:** Si no sigue las instrucciones en caso de **ADVERTENCIA**, usted o parte del personal podrían resultar lesionados.
- PRECAUCIÓN:** Si no sigue las instrucciones en caso de **PRECAUCIÓN**, la máquina podría dañarse.

▲ ADVERTENCIA: Para reducir el riesgo de incendio, descargas eléctricas o lesiones:

1. Antes de utilizar la máquina, es necesario recibir la capacitación adecuada en el funcionamiento de la misma. **LEA EL LIBRO DE INSTRUCCIONES.**
2. No la utilice en el exterior o en superficies mojadas.
3. No deje la aspiradora sin vigilancia cuando está enchufada. Apague el interruptor y desenchufe el cable eléctrico cuando no se la utilice antes de realizar el servicio técnico.
4. No permita que se la emplee como juguete. Preste mucha atención cuando sea utilizada por niños o cerca de ellos.
5. Utilícela sólo del modo descrito en este libro. Utilice solamente los accesorios recomendados por el fabricante.
6. No la utilice si el cable o el enchufe están dañados. Si la aspiradora no funciona adecuadamente, se ha caído, ha sufrido daños, fue olvidada en el exterior, o ha caído al agua, llévela a un servicio técnico.
7. No tire del cable ni arrastre la máquina tirando del mismo, no lo utilice como si fuese una empuñadura, no cierre la puerta sobre él, ni lo doble alrededor de esquinas o bordes cortantes. No haga funcionar la aspiradora sobre el cable. Mantenga el cable alejado de superficies calientes.
8. Conecte únicamente a un tomacorriente adecuadamente puesto a tierra (consulte las instrucciones para la conexión a tierra).
9. No utilice alargadores o tomacorrientes con capacidad de transmisión de corriente inadecuada.
10. Desconecte todos los mandos antes de desenchufar la máquina.
11. No desenchufe la máquina tirando del cable. Para desenchufarla, tire del enchufe, no del cable.
12. No manipule el enchufe ni la aspiradora con las manos húmedas.
13. No coloque objetos en las aberturas. No utilice la máquina si alguna abertura está bloqueada, manténgala libre de polvo, pelusas, cabellos y de todos los objetos que pueden reducir el flujo de aire.
14. Esta aspiradora crea succión y contiene un cepillo giratorio. Mantenga el cabello, la ropa holgada, los dedos y todas las partes del cuerpo alejadas de las aberturas y de las piezas móviles.
15. No recoja nada que esté ardiendo o humeando, como cigarrillos, cerillas o cenizas calientes.
16. Las poleas de la correa se pueden calentar durante el uso normal. Para evitar quemaduras, evite tocar la polea de la correa cuando se realice el servicio técnico de la correa de transmisión.
17. No utilice la máquina para aspirar líquidos inflamables o combustibles tales como gasolina ni la utilice en superficies donde pueda haber presencia de dichos líquidos.
18. Desenchufe la máquina antes de realizar el servicio técnico de la correa o el cepillo. El cepillo podría arrancar de repente y causar daños o lesiones.

GUARDE ESTAS INSTRUCCIONES

Introducción



La D14 y la D18 son aspiradoras verticales para limpiar las alfombras. Estas máquinas se utilizan para quitar materiales secos de la alfombra. Estas máquinas han sido diseñadas para uso comercial.

ESPECIFICACIONES DE LA MÁQUINA

Modelo	D14	D18
Fuente de alimentación	Ciclo de 120V-60 Ciclo de 230V-50/60	Ciclo de 120V-60 Ciclo de 230V-50/60
Motor de aspiración	1050 Vatios	1050 Vatios
RPM del cepillo	4300 rpm	4300 rpm
Cable	3 cables 50 pies	3 cables 50 pies
Ruedas (2)	2.7" x 1.25"	2.7" x 1.25"
Varilla	21" se extiende a 33.5"	21" se extiende a 33.5"
Manguera	1.5" x 18.5" extensible a 72"	1.5" x 18.5" extensible a 72"
Cepillo del agitador	Patrón del Cepillo Chevron	Patrón del Cepillo Chevron
Amplitud de limpieza	14"	18"
Bolsas de filtrado	de 6 litros y 2 capas, descartables	de 6 litros y 2 capas, descartables
Peso (sin el cable eléctrico)	20 libras	20.5 libras
Peso del envío	26 libras	26.75 libras
Dimensiones de la aspiradora	10.5 x 14.25 x 46.5	10.5 x 14.25 x 46.5
Garantía	Un año	Un año

INSTRUCCIONES PARA LA CONEXIÓN A TIERRA

Preparación:

Las siguientes son instrucciones para conectarla al suministro eléctrico y la conexión a tierra.

Esta máquina se debe conectar a una tierra eléctrica para proteger al operador contra las descargas eléctricas. Esta máquina dispone de un cable eléctrico aprobado con tres conductores, así como también de un enchufe con tres terminales. Conecte el enchufe a un receptáculo que tiene tres orificios y está conectado a la puesta a tierra. El conductor verde (o verde y amarillo) del cable es el conductor a tierra. Nunca conecte este conductor a ningún terminal que no sea el terminal de la clavija a tierra.

⚠ PELIGRO: La conexión inadecuada del conductor de la toma de tierra del equipo puede tener como resultado un riesgo de descarga eléctrica. Consulte con un electricista acreditado o con el personal del servicio técnico en caso de tener dudas respecto de la conexión a tierra. No modifique el enchufe que se suministra con el artefacto. Si no es adecuado para el tomacorriente, haga que un electricista acreditado le instale un tomacorriente adecuado.

Esta máquina debe utilizarse con un circuito eléctrico de 60 ciclos de CA de 110 a 120 voltios. Asegúrese de contar con la frecuencia y la tensión correctas antes de conectar el cable de alimentación a un tomacorriente. La máquina tiene un enchufe que se muestra en la figura 1.

⚠ ADVERTENCIA: Siempre use esta máquina con un sistema eléctrico de tres conductores de CA conectado a tierra. Reemplace cualquier cable que esté desgastado, cortado o dañado. Reemplace cualquier enchufe, receptáculo o cuerpo de conector que esté dañado.

⚠ ADVERTENCIA: No corte, saque ni rompa el terminal a tierra. No intente colocar un enchufe de tres terminales en un receptáculo o cuerpo de conector que no se adapte al enchufe, consulte al distribuidor Clarke American Sanders para que una persona autorizada realice la conexión.

⚠ ADVERTENCIA: No mueva la máquina sobre un cable de alimentación. Pase siempre el cable por encima de la máquina.

ALARGADORES:

Utilice sólo un alargador aprobado con tres conductores, un enchufe con tres terminales o el cuerpo del conector con tres

orificios. Esta máquina tiene un cable de alimentación de tamaño 18

AWG (AWG son las siglas de American Wire Gauge).

⚠ ADVERTENCIA: Si utiliza un alargador, utilice uno con un calibre mínimo de 16 AWG. No utilice alargadores con una longitud superior a los 15.2 metros (50 pies). No una dos alargadores.

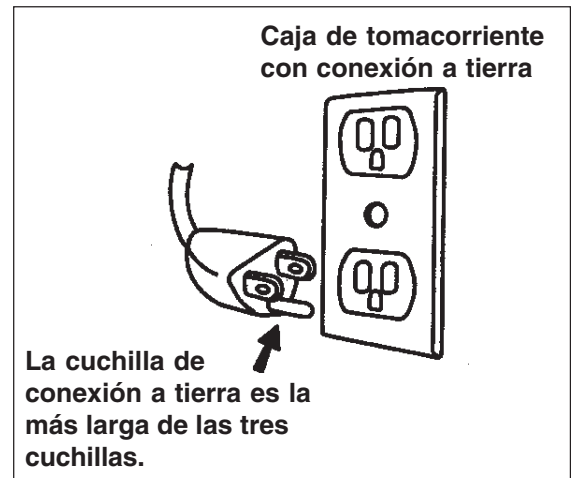


Figura 1

ENSAMBLADO DE LA MÁQUINA

Para ensamblar la máquina, siga este procedimiento:

1. Saque de la caja el alojamiento del cepillo, las bolsas de aspiración, la manguera, la varilla, el conjunto de la empuñadura, el alojamiento del depósito y las herramientas.
2. Retire el alojamiento del depósito y el alojamiento del cepillo de las bolsas plásticas.
3. Instale el alojamiento del depósito en el alojamiento del cepillo. Para instalar el alojamiento del depósito, siga este procedimiento:
 - a. Coloque el alojamiento del depósito sobre el alojamiento del cepillo (consulte la figura 2).
 - b. Alinee el conducto de aireación giratorio (A) y el soporte del depósito giratorio (B) con los orificios (C y D) en la base del alojamiento del depósito (consulte la figura 2)
 - c. Baje el alojamiento del depósito completamente y colóquelo en el depósito del cepillo hasta que la clavija haga clic en su lugar y se trabe (consulte la figura 3).
4. Instale el conjunto de la empuñadura en el alojamiento del depósito. Para instalar el conjunto de la empuñadura, siga este procedimiento:
 - a. Inserte el tubo de la empuñadura en el alojamiento del depósito superior (consulte la figura 4).
 - b. Baje la empuñadura totalmente en el alojamiento del depósito hasta que la marca en el tubo de la empuñadura está por debajo del nivel (consulte la figura 5, ítem A). Esto asegurará que la empuñadura esté bien ajustada.
 - c. Empuje la empuñadura a la posición de traba (consulte la figura 5, ítem B) .

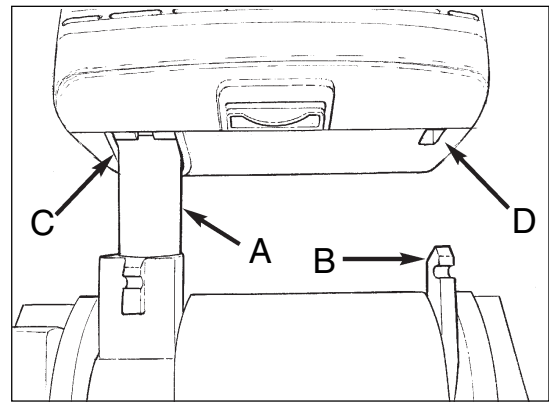


Figura 2

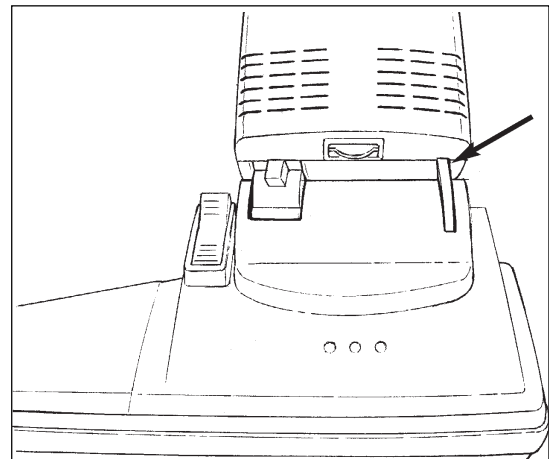


Figura 3

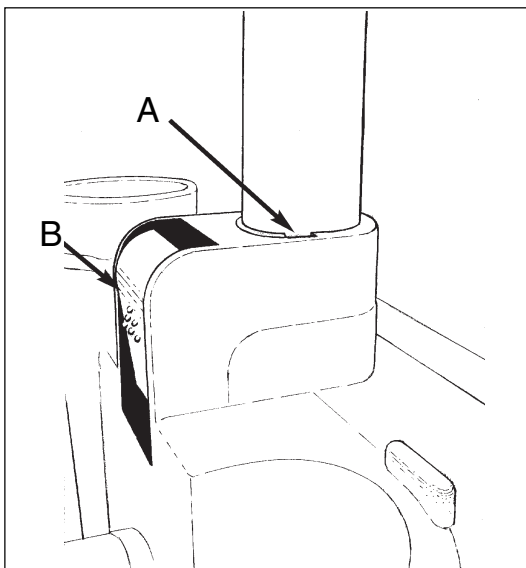


Figura 5

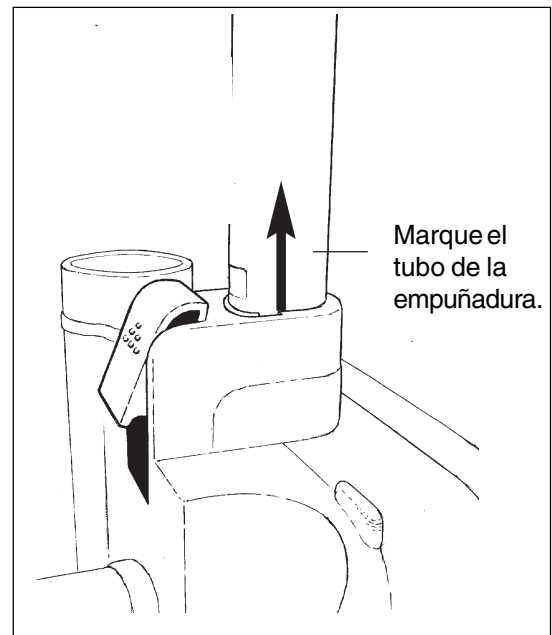


Figura 4

5. Instale el conjunto de la varilla en el alojamiento del depósito trasero derecho (consulte la figura 6, ítem A).
6. Ubique la empuñadura de la varilla de manera que ésta apunte a la parte delantera de la máquina (consulte la figura 7, ítem A).
7. Conecte la manguera a la varilla y al depósito (consulte la figura 7).
Para conectar la manguera de manera adecuada, presione la traba en el depósito (consulte la figura 7, ítem B).
8. Encaje a presión las herramientas para hendiduras (B) y para tapicería (C) en el retenedor de herramientas ubicado en la parte trasera del alojamiento del depósito (consulte la figura 6).

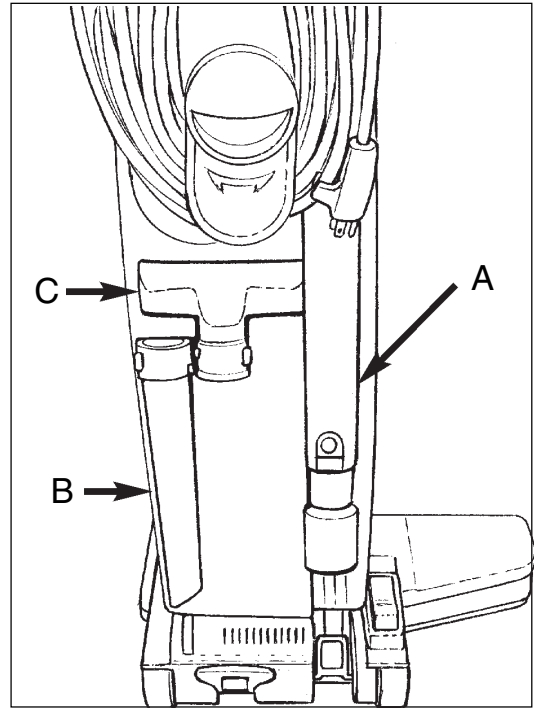


Figura 6

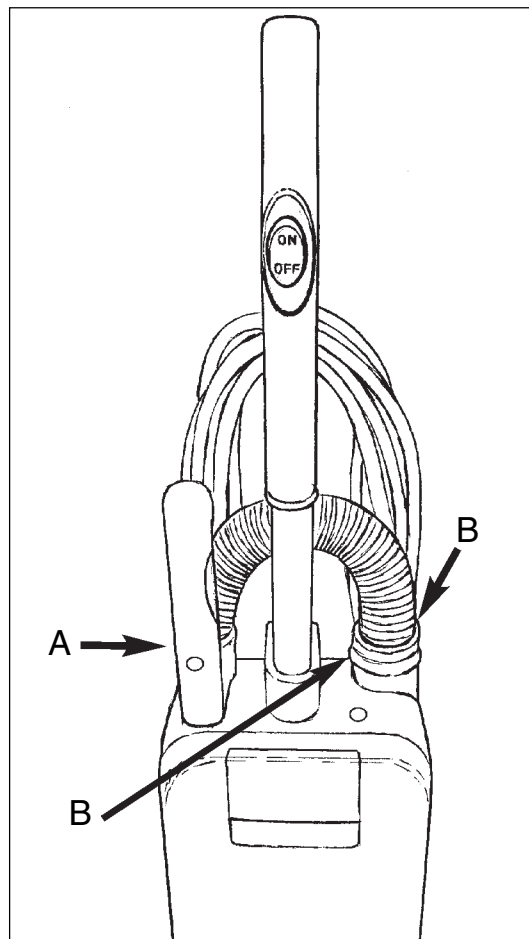


Figura 7

LOS MANDOS

Pedal de liberación de la empuñadura (consulte la figura 8, ítem "B")

El pedal de liberación de la empuñadura se ubica en el lado inferior izquierdo de la máquina. Presione el pedal para soltar la empuñadura y arrancar el motor del cepillo. El motor del cepillo no se ejecutará a menos que el interruptor de ENCENDIDO/ APAGADO esté en la posición "I".

Interruptor de ENCENDIDO/APAGADO (Consulte la figura 9)

El interruptor de ENCENDIDO/APAGADO está en la empuñadura. Coloque el interruptor en posición "I" para arrancar el motor de aspiración. Coloque el interruptor en posición "O" para detener el motor de aspiración. Si coloca el interruptor en posición apagado también apagará el motor del cepillo.

Ajuste de altura (consulte la figura 8, ítem "B")

El ajuste de la altura se ubica en el lado inferior derecho de la máquina. Presione la parte delantera del pedal con su pie cuando aspire una alfombra más corta. Presione la parte trasera del pedal con su pie cuando aspire una alfombra más larga y gruesa.

Varilla (consulte la figura 8, ítem "C")

La varilla se ubica en el soporte de la parte posterior del alojamiento del depósito. La varilla tiene una función telescópica (consulte la figura 11). Las herramientas para hendiduras y tapicería se colocan en el extremo de la varilla. La varilla tiene un manguito de control de succión (consulte la figura 10). Para la aspiración normal, mantenga el manguito de control de succión cerrado. Para reducir la succión, cuando limpie cortinas o muebles, abra el manguito de control de succión.

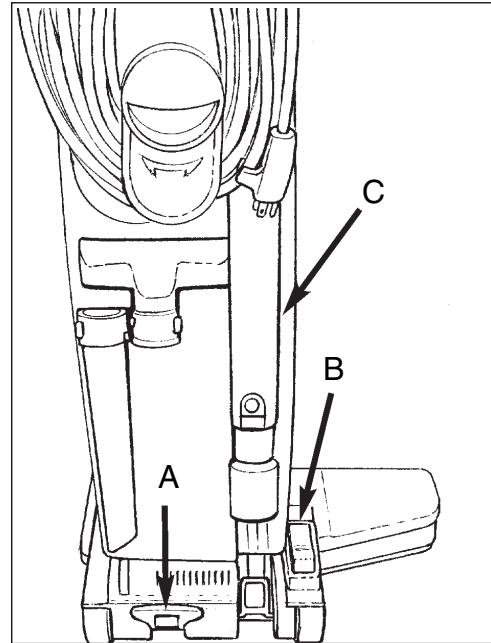


Figura 8

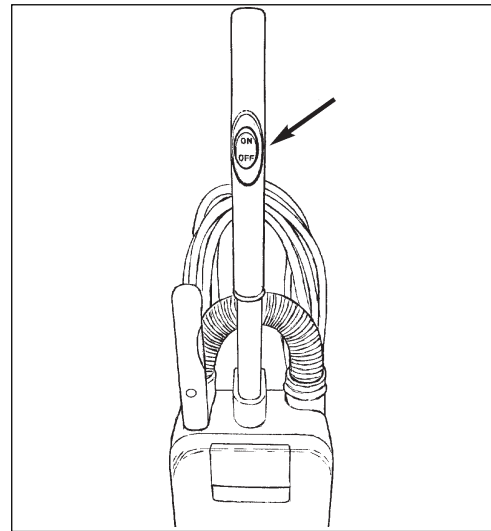


Figura 9

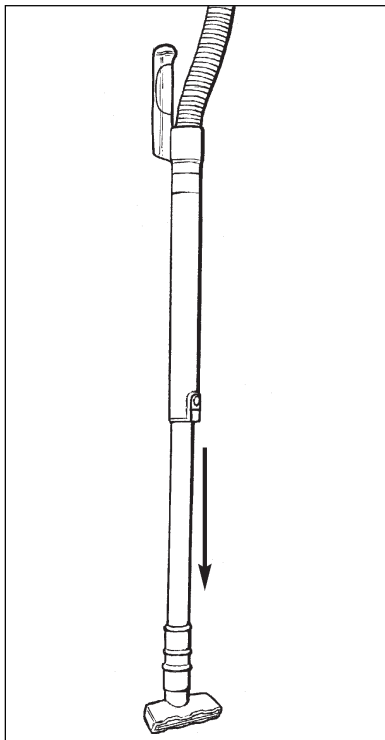


Figura 11

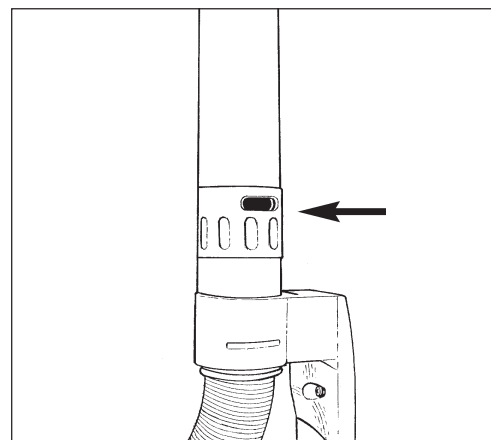


Figura 10

Puerta del depósito (Consulte la figura 12, ítem A)

La liberación de la puerta del depósito está en la parte superior del alojamiento del depósito. Elévelo para abrir la puerta.

NOTA: La puerta no se cerrará si no ha colocado una bolsa de filtrado correctamente instalada. Consulte la página 15 para obtener instrucciones sobre cómo instalar la bolsa de filtrado.

Luz indicadora de aspiración (consulte la figura 12, ítem "B")

La luz indicadora de aspiración está ubicada en la parte superior del alojamiento del depósito. La luz indicadora se enciende cuando se obstruye el flujo de aire al motor de aspiración.

NOTA: Consulte la página 17 para obtener instrucciones acerca de cómo eliminar una obstrucción.

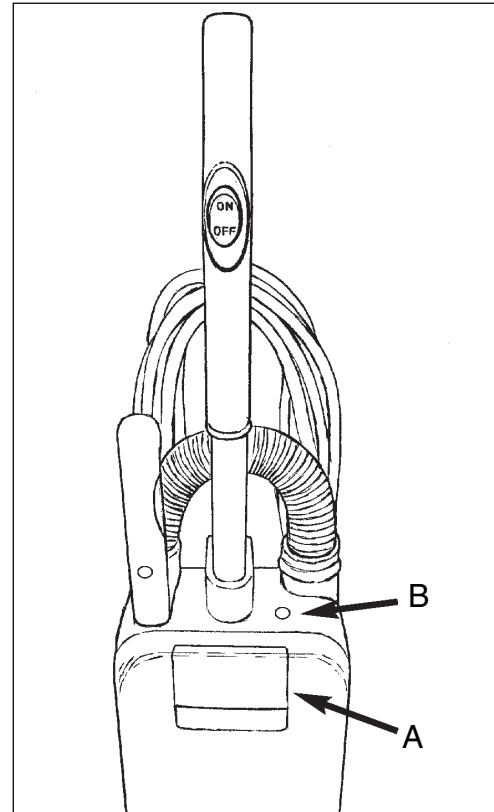


Figura 12

Ganchos para guardar el cable (Consulte la figura 13)

Los ganchos para guardar el cable están ubicados en la parte posterior del alojamiento del depósito. El gancho del cable inferior también es una empuñadura de transporte. El gancho del cable inferior rota para brindar una liberación del cable rápida y fácil.

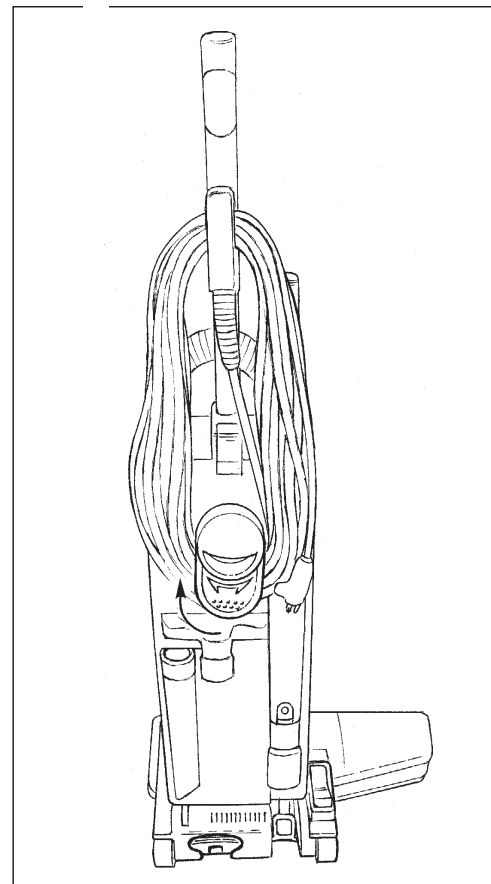


Figura 13

OPERACIÓN DE LA MÁQUINA

⚠ PRECAUCIÓN: Para evitar daños a la máquina, no permita que ingresen objetos grandes al alojamiento inferior o a los accesorios.

NOTA: La máquina viene con una bolsa de filtrado instalada en el alojamiento del depósito.

Utilice la aspiradora D14 y D18 para limpiar alfombras o tapicería. Para operar la máquina como aspiradora de alfombras siga este procedimiento:

1. Retire el cable de energía de los ganchos de almacenamiento del cable rotando el gancho del cable inferior 180° (Consulte la figura 14).
2. Conecte el enchufe eléctrico a un tomacorriente.
3. Sitúe el interruptor ON/OFF (encendido/apagado) en la posición "I" (consulte la figura 9).
4. Presione el pedal de liberación de la empuñadura (consulte la figura 8, ítem A).
5. Tire de la empuñadura hacia usted para lograr la mejor posición operativa.
6. Mueva la máquina hacia adelante y hacia atrás sobre la alfombra.

Para operar la máquina como aspiradora de tapicería siga este procedimiento:

1. Asegúrese de que el interruptor ON/OFF (encendido/apagado) esté en posición "O".
2. Presione la empuñadura hacia adelante hasta que se trabe en su lugar.

NOTA: la máquina viene con 2 accesorios: una herramienta para hendiduras y una herramienta para tapicería. Seleccione la herramienta necesaria para la operación de limpieza.

3. Saque la varilla del alojamiento del depósito.
4. Conecte cualquiera de las herramientas accesorias en el extremo de la varilla, o directamente en la manguera (consulte las figuras 15 y 16).

NOTA: Presione el botón en la empuñadura de la varilla para liberar la manguera de la varilla (consulte la figura 16, ítem A).

5. Coloque el interruptor ON/OFF (encendido/apagado) en la posición "I".
6. Mueva la herramienta por el área que limpiará.

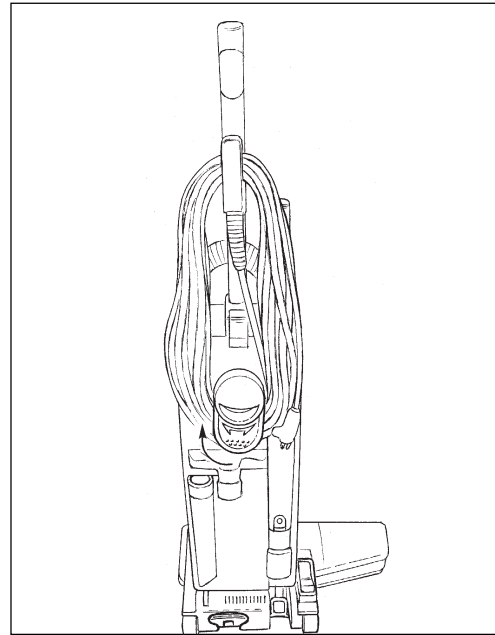


Figura 14

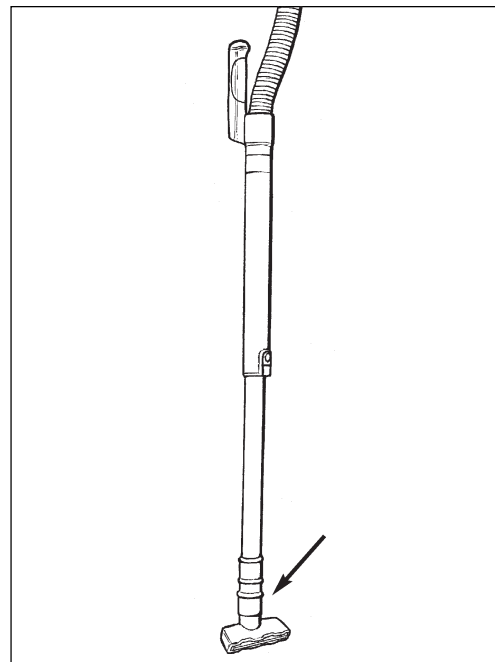


Figura 15

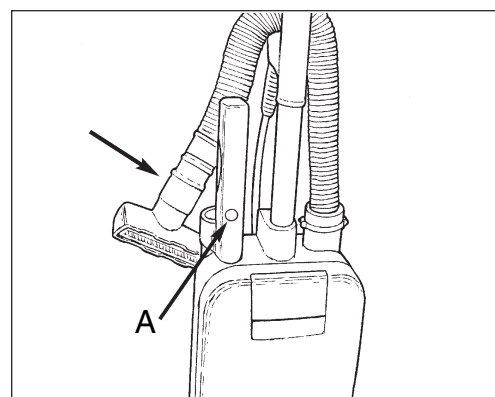


Figura 16

MANTENIMIENTO

⚠ ADVERTENCIA: Para evitar daños, retire siempre el enchufe eléctrico del tomacorriente antes de realizar reparaciones o tareas de mantenimiento y siempre que se aleje de la máquina.

⚠ ADVERTENCIA: El mantenimiento y las reparaciones sólo deben realizarlas personal autorizado. Utilice únicamente repuestos originales de Clarke.

Cambio de la bolsa de filtrado

La máquina utiliza una bolsa de papel descartable para filtrar. Para cambiar la bolsa de papel para filtrar, siga este procedimiento:

1. Asegúrese de que el interruptor ON/OFF (encendido/apagado) en posición "O" y que la máquina esté desenchufada.
2. Saque la parte delantera del alojamiento del depósito. Para abrir el alojamiento del depósito, eleve la empuñadura de liberación (consulte la figura 17).
3. Sostenga la entrada de cartón en ambos lados de la bolsa (vea los puntos A y B en la figura 19), rote levemente y tire de la bolsa.
5. Instale una nueva bolsa de filtrado. Para instalar una nueva bolsa de filtrado, siga este procedimiento:
 - a. Despliegue la bolsa de filtrado.
 - b. Sostenga la bolsa por la entrada de cartón.
 - c. Coloque la base de la entrada de cartón en la ranura debajo del adaptador de la bolsa (consulte la figura 18, ítem A).
 - d. Coloque el orificio de la entrada de cartón sobre el adaptador de la bolsa (consulte la figura 18, ítem B).
 - e. Asegúrese de que el cartón sea empujado completamente hasta hacer tope en el adaptador de la bolsa (figura 19), de lo contrario la puerta no cerrará.
 - f. Cierre el alojamiento del depósito.

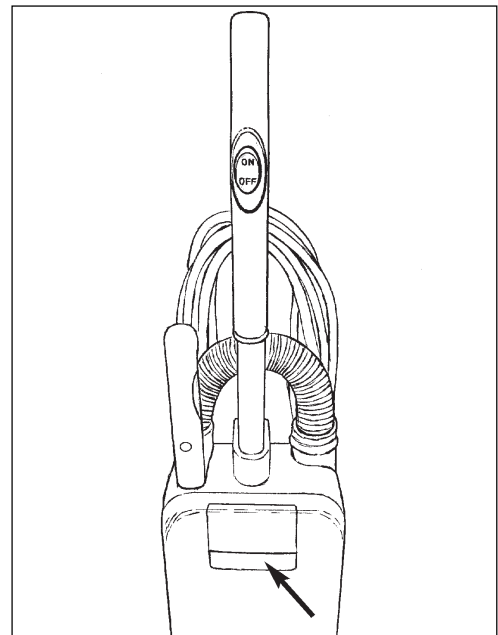


Figura 17

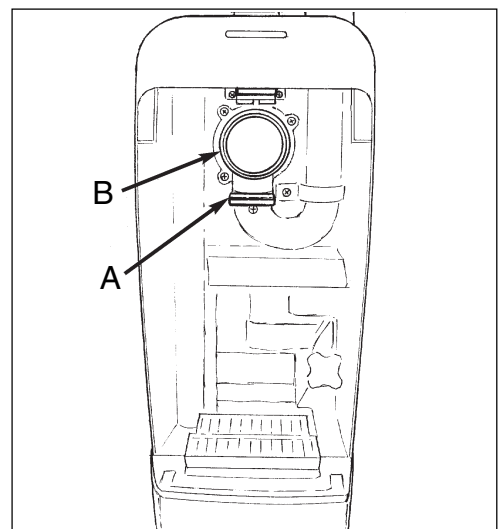


Figura 18

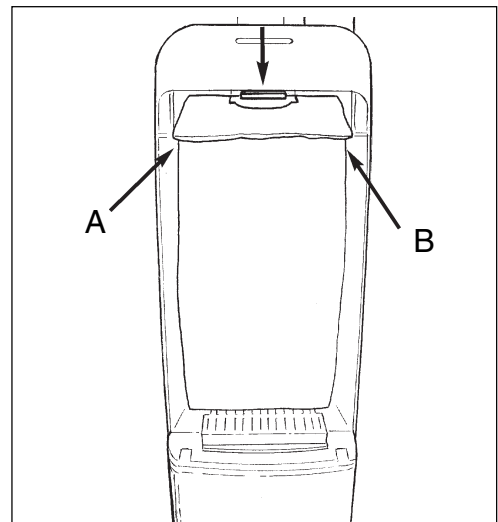


Figura 19

Cambio del Cartucho del Filtro

Cambie el cartucho del filtro cuando esté sucio o cuando la succión haya perdido potencia. Para cambiar el cartucho del filtro, siga este procedimiento:

1. Asegúrese de que el interruptor ON/OFF (encendido/apagado) esté en posición "O" y que la máquina esté desenchufada.
2. Abra la puerta del depósito.
3. Saque la bolsa de filtrado.
4. Retire el cartucho del filtro (consulte la figura 20).
5. Reemplace el cartucho del filtro y la bolsa de filtrado (consulte la figura 21).

⚠ PRECAUCIÓN: Controle el cartucho del filtro cuando cambie la bolsa de papel. Reemplace el cartucho del filtro cuando esté sucio o cuando la succión de aspiración no tenga potencia incluso con una bolsa de filtrado limpia.

Reemplazo del cepillo

⚠ ADVERTENCIA: Para evitar daños, desenchufe la máquina antes de limpiar o reemplazar el cepillo. El cepillo podría arrancar de repente y causar algún daño o lesión.

1. Coloque la máquina de este lado.
2. Gire las perillas que aseguran la placa de la boquilla. Consulte la figura 22.
3. Eleve la placa de la boquilla para retirarla.
4. Eleve el conjunto del cepillo para retirarlo.
5. Instale un nuevo conjunto de cepillo.
6. Instale la placa de la boquilla.
7. Coloque la máquina sobre las ruedas.

⚠ ADVERTENCIA: Para reducir el riesgo de lesiones causadas por las piezas móviles desenchufe la máquina antes de repararla.

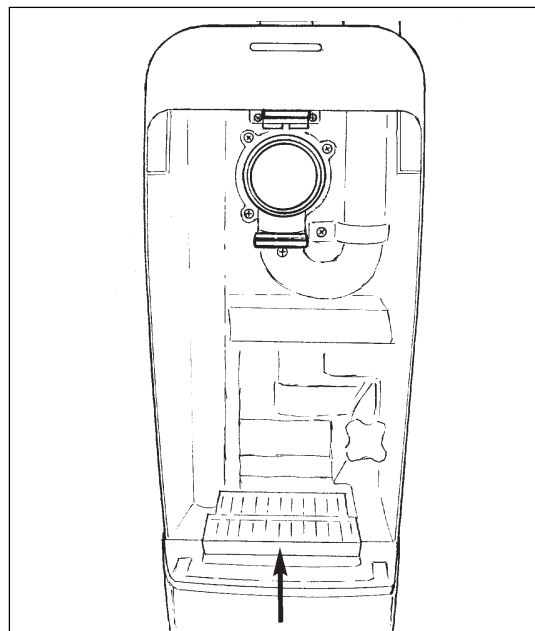


Figura 20

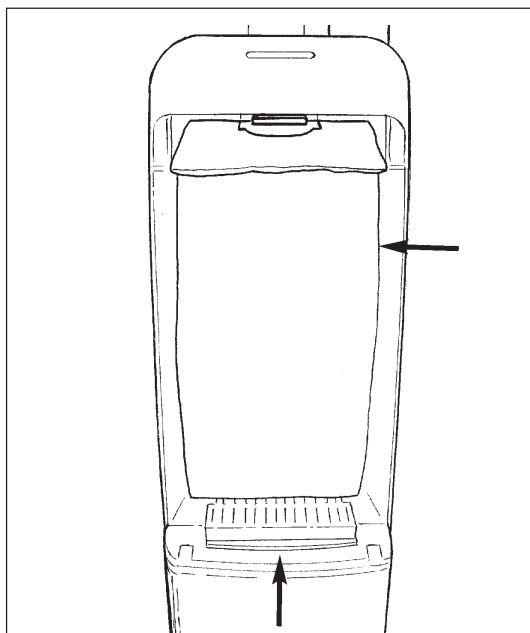


Figura 21

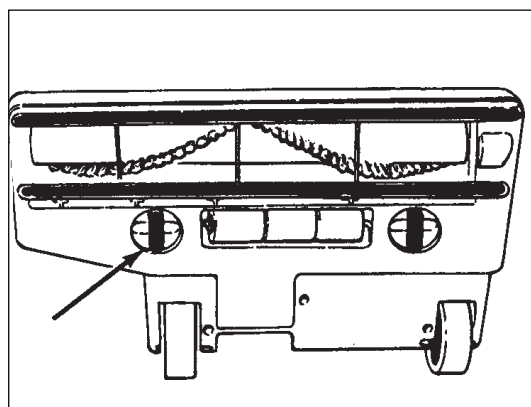


Figura 22

Cambio de la correa de transmisión

⚠ ADVERTENCIA: Para evitar daños, desenchufe la máquina antes de limpiar o reemplazar el cepillo. El cepillo podría arrancar de repente y causar algún daño o lesión.

Para reemplazar la correa de transmisión, siga este procedimiento:

1. Coloque la máquina de este lado.
2. Eleve la placa de la boquilla para retirarla.
3. Eleve el conjunto del cepillo para retirarlo (consulte la figura 23).
4. Retire la correa de transmisión de la polea del cepillo.
5. Retire la correa de transmisión del eje del motor.
6. Coloque un extremo de la nueva correa de transmisión alrededor del eje del motor.
7. Coloque el otro extremo de la correa de transmisión alrededor de la polea del cepillo.
8. Instale el conjunto del cepillo en el alojamiento del cepillo.
9. Instale la placa de la boquilla.
10. Coloque la máquina sobre las ruedas.

⚠ ADVERTENCIA: Para reducir el riesgo de lesiones causadas por las piezas móviles desenchufe la máquina antes de repararla.

Luz indicadora de aspiración

Si se enciende la luz indicadora de aspiración (1) (consulte la figura 24) o si se detiene el motor, siga el siguiente procedimiento:

1. Coloque el interruptor ON/OFF (encendido/ apagado) en la posición "O" (2).
2. Retire el enchufe eléctrico del tomacorriente.
3. Controle que no haya ninguna obstrucción en la manguera de aspiración. Si hay alguna obstrucción en la manguera de aspiración, libere la obstrucción.
4. Controle el conjunto del cepillo en el alojamiento inferior. Si hay alguna obstrucción en el conjunto del cepillo, libere la obstrucción.
5. Controle la bolsa de filtrado. Si la bolsa de filtrado tiene más de la mitad de su capacidad llena, cambie o vacíe la bolsa.
6. Controle el cartucho del filtro. Si el filtro está sucio, cambie el filtro.

Sobrecarga térmica

Se utiliza una sobrecarga térmica para proteger al motor de aspiración. Si el motor recalienta, la sobrecarga térmica detendrá al motor. Si el motor se detiene, deje que éste se enfríe antes de volver a encender la máquina. Controle los filtros. Si el motor sigue deteniéndose, consulte a una persona del servicio técnico autorizada.

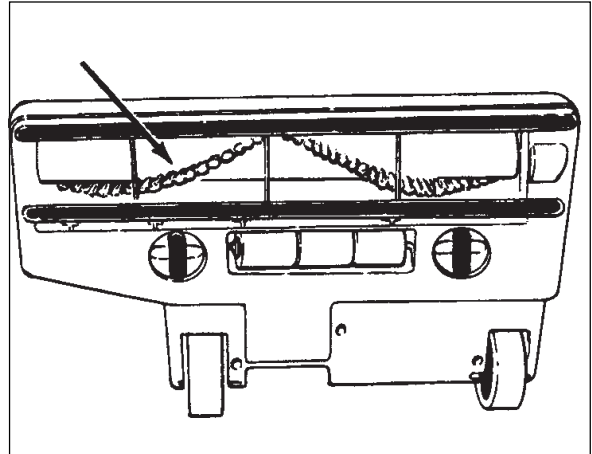


Figura 23

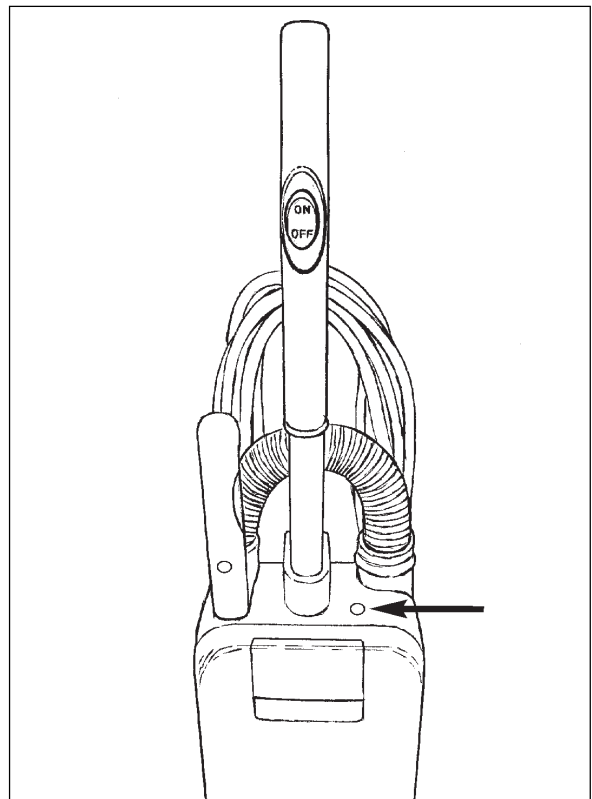


Figura 24

LUCES INDICADORAS DEL FUNCIONAMIENTO DEL CEPILLO

Las aspiradoras verticales D14 y D18 tienen tres luces indicadoras del funcionamiento del cepillo (consulte la figura 25). Son la VERDE, AMARILLA y ROJA. Trabajan de la siguiente manera:

Funcionamiento Normal:

- La luz VERDE está encendida cuando el motor de accionamiento de los cepillos está encendido y el ajuste de la altura del cepillo es la correcta para la alfombra.

NOTA: Es normal que las luces rojas y amarillas se enciendan y apaguen de manera intermitente en superficies altas o bajas.

Altura del cepillo demasiado alta:

- La luz AMARILLA quedará encendida cuando la altura del cepillo es demasiado alta para la alfombra. Baje el ajuste de la altura del cepillo.

Altura del cepillo demasiado baja o cepillo atascado:

- La luz ROJA quedará encendida cuando la altura del cepillo es demasiado baja para la alfombra. Eleve el ajuste de la altura del cepillo. La luz ROJA se encenderá si el cepillo está atascado.
- Si la luz ROJA queda encendida por 10 segundos de manera continua, la detención electrónica de seguridad protegerá el motor del cepillo apagándolo.
- Para reiniciar el motor de accionamiento del cepillo, coloque la empuñadura en posición vertical. Mueva el interruptor de encendido/apagado (ON/OFF) a la posición OFF. Vuelva a encender la máquina.
- Si la altura del cepillo es demasiado baja, eleve el ajuste de la altura del cepillo.
- Si el cepillo se atascó, desenchufe la aspiradora y retire el cepillo.

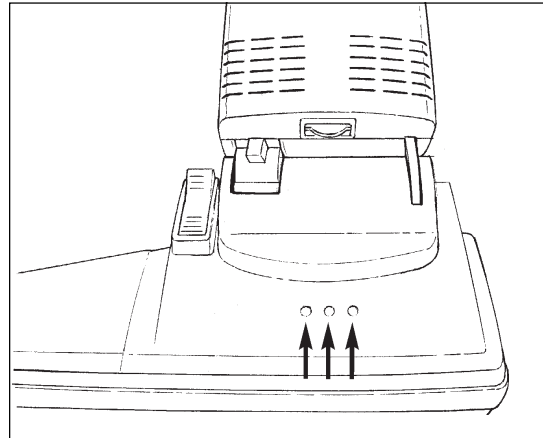


Figura 25

LISEZ CE MANUEL

Ce Manuel contient des informations importantes concernant l'utilisation et le fonctionnement de cette machine dans des conditions de sécurité optimales. La non-lecture de ce manuel avant d'utiliser ou d'entretenir votre machine Clarke risque de provoquer un accident ou d'endommager la machine ou son environnement. Vous devez avoir été formé à l'utilisation de cette machine avant de l'utiliser. Si l'opérateur n'est pas en mesure de lire ce Manuel, il devra se le faire expliquer entièrement avant de tenter d'utiliser cette machine.

Toutes les directions données dans ce Manuel le sont par rapport à la position de l'opérateur, à l'arrière de la machine.

Pour commander un nouveau Manuel, écrivez à : Clarke®, 2100 Highway 265, Springdale, Arkansas 72764.

Table des matières




Consignes de sécurité importantes	31
Introduction et spécifications de la machine	32
Instructions de mise à la terre	33
Comment monter la machine	34
Les commandes	36
Comment utiliser la machine	38
Entretien	39
Comment changer le sac-filtre	39
Comment nettoyer la cartouche du filtre	12
Comment remplacer la brosse	12
Comment changer la courroie d'entraînement	13
Le voyant lumineux d'aspiration	13
Le coupe-circuit	13
Voyant lumineux de performance de brosse	14


Section II Pièces et manuel de réparation

Schéma #1 Montage	44
Liste de pièces #1	45
Schéma #2 Montage	46
Liste des pièces #2	47
Schéma électrique	48

CONSIGNES DE SÉCURITÉ IMPORTANTES

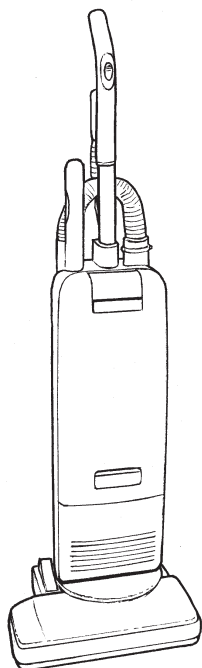
Pour utiliser cet appareil en toute sécurité, il faut lire et comprendre tous les consignes de danger, d'avertissement et d'attention. Soyez attentif aux symboles que voici.

 DANGER:	Ne pas respecter les consignes d'un avis de DANGER , peut occasionner la mort ou des lésions corporelles graves pour l'utilisateur et/ou d'autres personnes.
 AVERTISSEMENT:	Ne pas respecter les consignes d'un AVERTISSEMENT peut occasionner des lésions corporelles pour l'utilisateur et/ou d'autres personnes.
 ATTENTION:	Ne pas respecter les consignes d'un avis d' ATTENTION peut occasionner des dommages à l'appareil.

 **AVERTISSEMENT:** Pour réduire le risque de feu, de choc électrique, ou de blessure:

1. Vous devez recevoir une formation appropriée avant de vous servir de cet appareil. **LISEZ LE MANUEL DE CONSIGNES DU FABRICANT.**
2. Ne pas utiliser à l'extérieur ou sur des surfaces mouillées.
3. Ne laissez pas l'aspirateur seul quand il est branché. Fermez le commutateur et débranchez l'appareil lorsque vous ne l'utilisez pas ou avant le nettoyage ou l'entretien.
4. Ne permettez pas que l'aspirateur soit utilisé comme un jouet. Une attention particulière est nécessaire lorsqu'il est utilisé par ou près d'un enfant.
5. Suivez strictement les recommandations d'utilisation de ce manuel. Utilisez uniquement les accessoires recommandés par le fabricant.
6. N'utilisez jamais l'aspirateur si le cordon ou la fiche sont endommagés. Si l'aspirateur ne fonctionne pas comme il le devrait, s'il a été échappé, s'il est endommagé, s'il a été laissé à l'extérieur ou échappé dans l'eau, retournez-le à un centre de service avant de l'utiliser.
7. Ne tirez pas l'aspirateur ou le transportez par le cordon. N'utilisez pas le cordon en guise de poignée. Ne fermez pas une porte sur le cordon ou tirez le cordon sur des bordures ou des coins pointus. Ne passez pas l'aspirateur sur le cordon. Tenez le cordon à distance des surfaces chauffantes.
8. Branchez toujours l'aspirateur dans une prise à trois (mise à terre).
9. N'utilisez pas des rallonges ou des prises qui n'ont pas une capacité suffisante pour transporter le courant.
10. Mettez sur arrêt tous les boutons de commande avant de débrancher.
11. Ne débranchez pas l'aspirateur en tirant sur le cordon. Pour débrancher, tenez la fiche et non pas le cordon.
12. Ne manipulez pas la fiche ou l'aspirateur avec les mains mouillées.
14. N'insérez rien dans les ouvertures. N'utilisez pas l'aspirateur si des ouvertures sont bloquées. Assurez-vous qu'elles soient dégagées de poussière, de mousse, de cheveux ou de tout autre chose qui pourrait réduire le passage de l'air.
15. Cet aspirateur crée de la succion et contient une rouleau-brosse tournant. Tenez les parties mobiles et les ouvertures loin des cheveux, du linge, des doigts et de toute partie du corps.
16. Ne ramassez pas de objets qui brûlent ou fument comme les cigarettes, les allumettes ou les cendres chaudes.
17. Les poulies de la courroie peuvent devenir chaudes pendant l'utilisation normale. Pour prévenir des brûlures, évitez de toucher la poulie lors de l'entretien de la courroie.
18. Débranchez la machine avant de faire l'entretien de la courroie ou de brosse. La brosse peut démarrer soudainement et causer des blessures.

CONSERVEZ CES INSTRUCTIONS

INTRODUCTION

Les aspirateurs balai D14 et D18 nettoient les tapis. Ces machines sont utilisées pour enlever les éléments secs des tapis. Ces machines sont conçues pour un usage commercial.

SPECIFICATIONS DE LA MACHINE

Modèle	D14	D18
Alimentation électrique	120V-60 Cycle 230V-50/60 Cycle	120V-60 Cycle 230V-50/60 Cycle
Moteur d'aspiration	1050 Watts	1050 Watts
RPM de la brosse	4300 rpm	4300 rpm
Cordon	Câble à trois fils de 15 m (50 ft.)	Câble à trois fils de 15 m (50 ft.)
Roues (2)	2,7"(6,860 cm) x 1,25" (3,18 cm)	2,7"(6,860 cm) x 1,25" (3,18 cm)
Commande	de 21"(53,34 cm) à 33,5" (85 cm)	de 21"(53,34 cm) à 33,5" (85 cm)
Tuyau	1,5"(6,860 cm) x 18,5" (3,18 cm) s'étend jusqu'à 72" (1,85m)	1,5"(6,860 cm) x 18,5" (3,18 cm) s'étend jusqu'à 72" (1,85m)
Brosse d'agitateur	Brosse de type chevron	Brosse de type chevron
Largeur de nettoyage	14"	18"
Sacs-filtre	6 l, jetable double épaisseur	6 l, jetable double épaisseur
Poids (sans le cordon d'alimentation)	20 lbs. (9 kg)	20,5 lbs. (9,3 kg)
Poids de transport	26 lbs. (11,8 kg)	26,75 lbs. (12,13 kg)
Dimensions de l'aspirateur	10.5 x 14.25 x 46.5	10.5 x 14.25 x 46.5
Garantie	Un an	Un an

INSTRUCTIONS DE MISE À LA TERRE

Préparation :

Voici les instructions de branchement à une alimentation électrique et de mise à la terre électrique.

Cette machine doit être connectée à la terre pour protéger l'utilisateur de choc électrique. Cette machine comporte un cordon d'alimentation approuvé ayant trois fils conducteurs et une prise à trois fiches. Branchez la prise à une prise ayant trois fiches et ayant une mise à la terre. Le conducteur vert (ou vert et jaune) du cordon est le câble de masse. Ne connectez jamais ce câble à toute autre borne que la borne de masse.

⚠ DANGER: Une connexion incorrecte du conducteur de mise à la terre peut entraîner un risque de choc électrique. Veuillez vérifier auprès d'un électricien qualifié ou d'un technicien d'entretien si vous avez un doute en ce qui concerne la mise à la terre de la prise. Ne modifiez pas la prise fournie avec l'appareil. Si elle ne rentre pas dans la prise, faites en sorte d'avoir une prise adéquate installée par un électricien qualifié.

Cette machine doit être utilisée sur un circuit électrique de 60 cycles de 110 à 120 Volt CA. Assurez-vous que vous avez la tension et la fréquence correctes avant de brancher le cordon à la prise. La machine comporte une prise telle que présentée sur la figure 1.

⚠ AVERTISSEMENT : Toujours utiliser cette machine avec un système électrique de trois conducteurs pour courant alternatif branché à la masse. Remplacer tout cordon usé, coupé ou endommagé. Remplacer toute prise ou corps de connecteur endommagé.

⚠ AVERTISSEMENT : Ne pas couper, enlever ou casser la borne de mise à la terre. Ne pas essayer de brancher la prise à trois fiches dans un corps de connecteurs ou une prise ne correspondant pas à cette prise, référez-vous à votre revendeur agréé Clarke pour obtenir l'aide d'une personne autorisée pour installer la connexion.

⚠ AVERTISSEMENT : Ne faites pas passer la machine dessus le cordon électrique. Soulevez toujours le cordon par-dessus la machine.

RALLONGES :

N'utiliser qu'une rallonge à trois conducteurs agréée, une prise à trois fiches et un corps de prise à trois branchements. Cette machine a un cordon d'alimentation d'une taille de 18 AWG (AWG - calibre américain des fils).

⚠ AVERTISSEMENT : Si vous utilisez une rallonge, utilisez une rallonge d'une taille minimum de 16 AWG. N'utilisez pas de rallonge de plus de 15m. Ne raccordez pas deux rallonges.

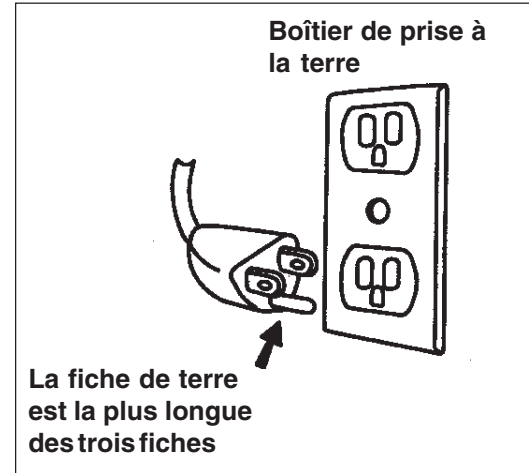


Figure 1

Remarque : Au Canada, l'utilisation d'un adaptateur temporaire n'est pas autorisée par le Code canadien de l'électricité.

COMMENT MONTER LA MACHINE

Pour monter la machine, veuillez suivre cette procédure :

1. Sortez le boîtier de brosse, les sacs d'aspiration, le tube, la commande, la poignée, le boîtier de collecteur de poussière et les outils du carton.
2. Sortez le collecteur de poussière et le boîtier de brosse des sacs plastiques.
3. Installez le boîtier de collecteur de poussière sur le boîtier de brosse. Pour installer le boîtier du collecteur de poussière, veuillez suivre cette procédure :
 - a. Placez le boîtier de collecteur de poussière au-dessus du boîtier de brosse (voir figure 2).
 - b. Alignez l'aération rotative (A) et le pivot de support de collecteur de poussière (B) avec les ouvertures (C et D) à la base du boîtier de collecteur de poussière (voir figure 2).
 - c. Abaissez complètement le boîtier de collecteur de poussière sur le boîtier de brosse jusqu'à ce que les ergots se mettent en place et se verrouillent.(voir figure 3).
4. Installez l'assemblage de poignée sur le boîtier de collecteur de poussière. Pour installer le montage de poignée, veuillez suivre cette procédure :
 - a. Insérez le tube de poignée dans le collecteur de poussière supérieure (voir figure 4).
 - b. Abaissez complètement la poignée dans le boîtier de collecteur de poussière jusqu'à ce que la marque sur le tube de la poignée soit en dessous du repère (voir figure 5, élément A). Ceci permet de s'assurer que la poignée est correctement en place.
 - c. Pressez le verrou de poignée en position verrouillée (voir figure 5, élément B).

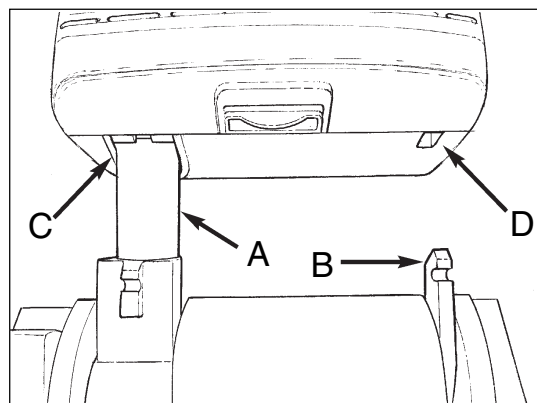


Figure 2

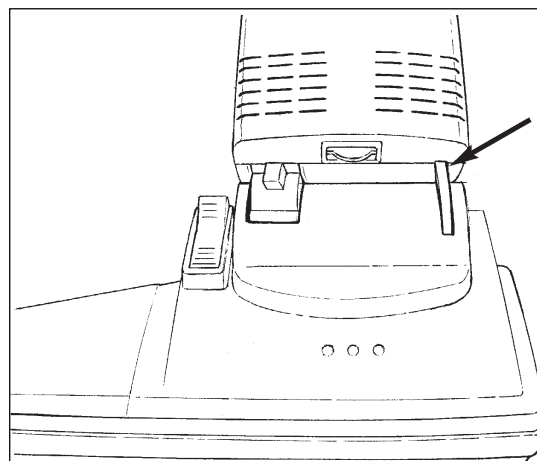


Figure 3

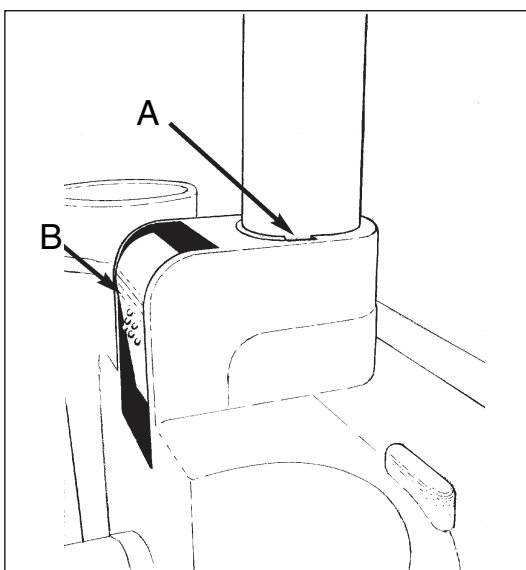


Figure 5

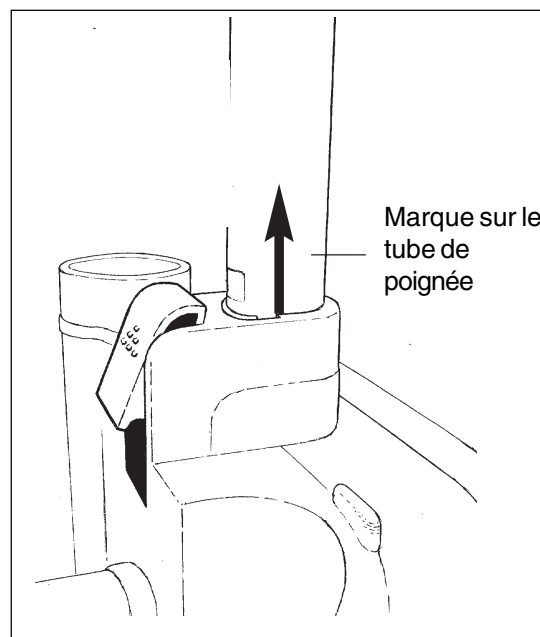


Figure 4

5. Installez le montage de commande à droite à l'arrière du boîtier de collecteur de poussière (voir figure 6, élément A).
6. Placez la poignée de commande de manière à ce que la poignée soit vers l'avant de la machine (voir figure 7, élément A).
7. Attachez le bras à la commande et au collecteur de poussière (voir figure 7).
Pour attacher le bras correctement, appuyez sur le verrou de collecteur de poussière (voir figure 7, article B).
8. Clippez le suceur plat (B) et le nettoyeur (C) dans l'emplacement pour accessoires à l'arrière du boîtier de collecteur de poussière (voir figure 6).

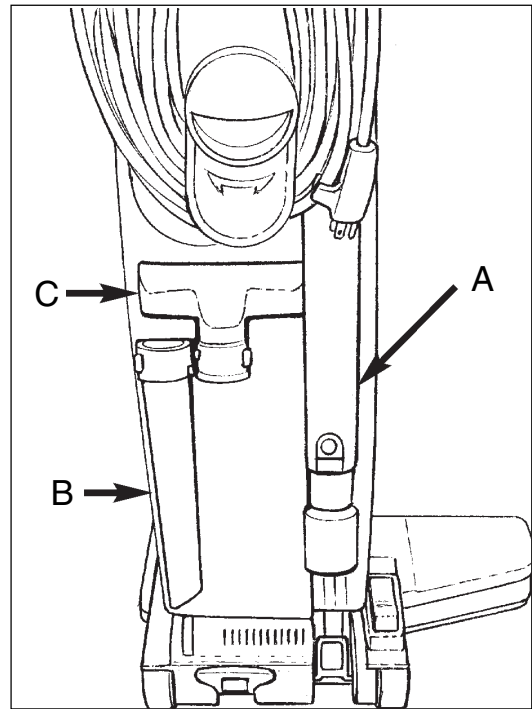


Figure 6

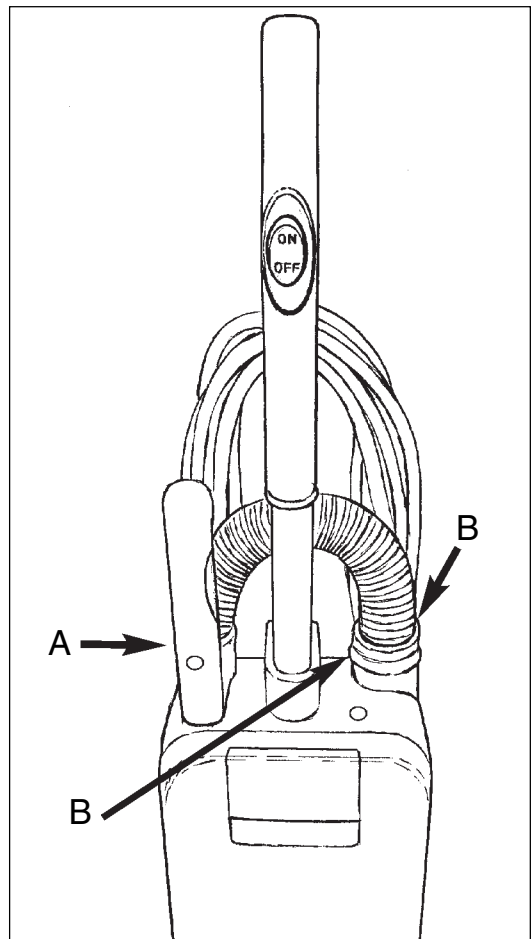


Figure 7

LES COMMANDES

La pédale de libération de la poignée (Voir figure 8, élément A)

La pédale de libération de la poignée se trouve sur le côté gauche inférieur de la machine. Pressez la pédale pour libérer la poignée et démarrer le moteur de brosse. Le moteur de brosse ne fonctionnera pas à moins que le commutateur marche/arrêt soit en position "I".

Le commutateur marche/arrêt (voir figure 9)

Le commutateur marche/arrêt se situe sur la poignée. Mettez le en position "I" pour démarrer le moteur de l'aspirateur. Mettez le en position "O" pour arrêter le moteur de l'aspirateur. Mettre le commutateur en position arrêt éteindra aussi le moteur de brosse.

Réglage de la hauteur (Voir figure 8, élément B)

La réglage de la hauteur se trouve sur le côté droit inférieur de la machine. Appuyez sur l'avant de la pédale à l'aide de votre pied lors de l'aspiration de surfaces plus rases. Appuyez sur l'arrière de la pédale à l'aide de votre pied lors de l'aspiration de surfaces plus hautes et plus épaisses.

Le bras flexible (Voir figure 8, élément C)

Le bras flexible se trouve sur le support à l'arrière du boîtier du collecteur de poussière. Le bras flexible à une fonctionnalité télescopique (voir figure 11). Le suceur plat et le nettoyeur s'adaptent sur l'embout du bras flexible. Le bras flexible a un manchon de contrôle de la succion (voir figure 10). Pour une aspiration normale, gardez le manchon de contrôle de la succion fermé. Pour réduire la succion, lors du nettoyage de rideaux ou de meubles, ouvrez le manchon de contrôle de succion.

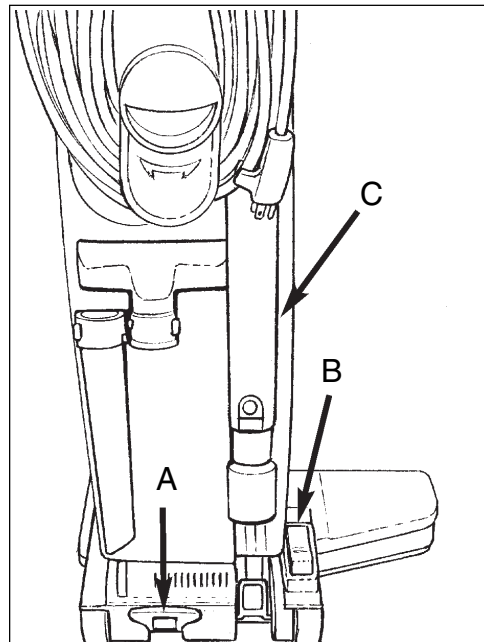


Figure 8

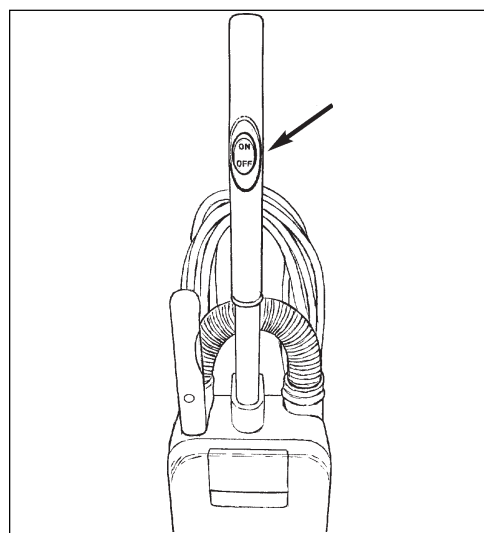


Figure 9

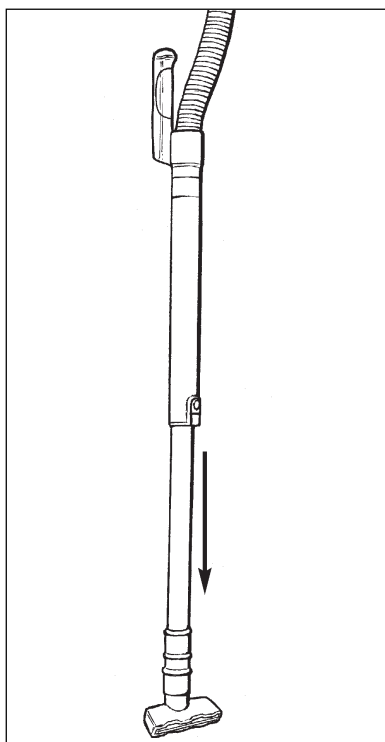


Figure 11

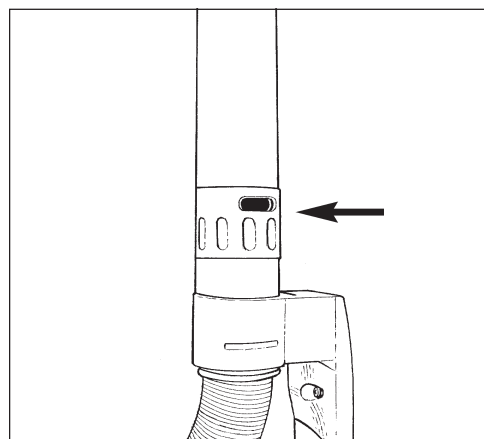


Figure 10

Porte de collecteur de poussière (Voir figure 12, élément A)

L'ouverture de porte de collecteur de poussière se trouve sur le dessus du boîtier de collecteur de poussière. Soulevez-la pour ouvrir la porte.

REMARQUE : La porte ne fermera pas si le sac-filtre n'est pas fixé correctement. Voir page 15 pour les instructions de montage du sac filtre.

Voyant lumineux d'aspiration (Voir figure 12, élément B)

Le voyant lumineux d'aspiration se trouve sur le dessus du boîtier de collecteur de poussière. Le voyant lumineux s'allume lorsque l'aspiration du moteur est obstruée.

REMARQUE : Voir page 17 pour les instructions sur comment enlever une obstruction.

Les crochets de stockage de cordon (voir figure 13)

Les crochets de stockage du cordon se situent à l'arrière du boîtier de collecteur de poussière. Le crochet de cordon inférieur est aussi une poignée de transport. Le crochet de cordon inférieur se tourne pour permettre un lâchage du cordon rapide et pour faciliter l'enlèvement du cordon.

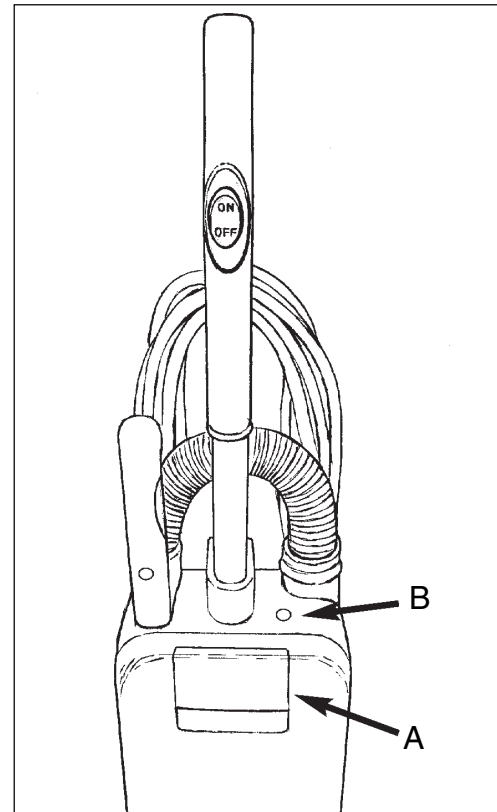


Figure 12

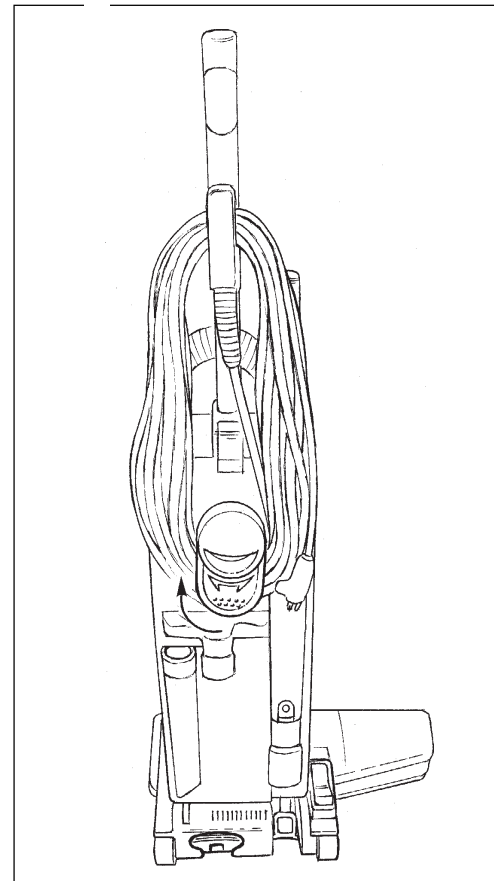


Figure 13

COMMENT UTILISER LA MACHINE

ATTENTION : Pour éviter tout dommage de la machine, évitez que des objets larges soient aspirés au niveau du boîtier inférieur ou des accessoires.

REMARQUE : La machine est livrée avec un sac filtre installé dans le boîtier de collecteur de poussière.

Utilisez D14 & D18 en tant que nettoyeur de tapis ou comme nettoyeur de revêtement. Pour utiliser la machine comme nettoyeur de tapis, veuillez suivre la procédure suivante :

1. Enlevez le cordon d'alimentation des crochets de stockage, en tournant la crochet inférieur sur 180° (voir figure 14).
2. Branchez le cordon sur une prise.
3. Placez le commutateur marche/arrêt en position "I" (voir figure 9).
4. Appuyez sur la pédale de libération de la poignée (voir figure 8, élément A).
5. Tirez la poignée vers vous, en position de fonctionnement la plus adaptée.
6. Procédez à des mouvements avant et arrière de la machine sur le tapis.

Pour utiliser la machine comme nettoyeur de revêtement, veuillez suivre la procédure suivante :

1. Assurez-vous que le commutateur marche/arrêt est en position "O".
2. Poussez la poignée vers l'avant jusqu'à ce qu'elle se verrouille en position.

REMARQUE: la machine est livrée avec une fixation d'outil de succion et de nettoyage. Sélectionnez l'outil nécessaire pour le nettoyage.

3. Retirez le bras flexible du boîtier de collecteur de poussière.
4. Placez l'accessoire au bout du bras flexible ou directement sur le tuyau (voir figures 15 et 16).

REMARQUE : Pressez le bouton sur la poignée du bras flexible pour libérer le tuyau du bras flexible (voir figure 16, élément A).

5. Placez le commutateur marche/arrêt en position "I".
6. Déplacez l'outil sur la surface devant être nettoyée.

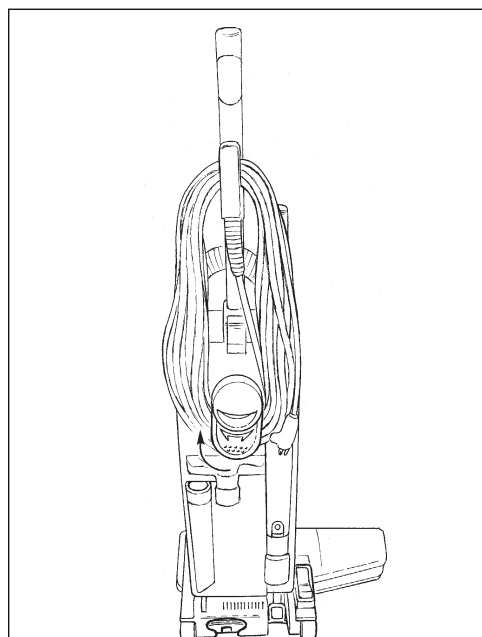


Figure 14

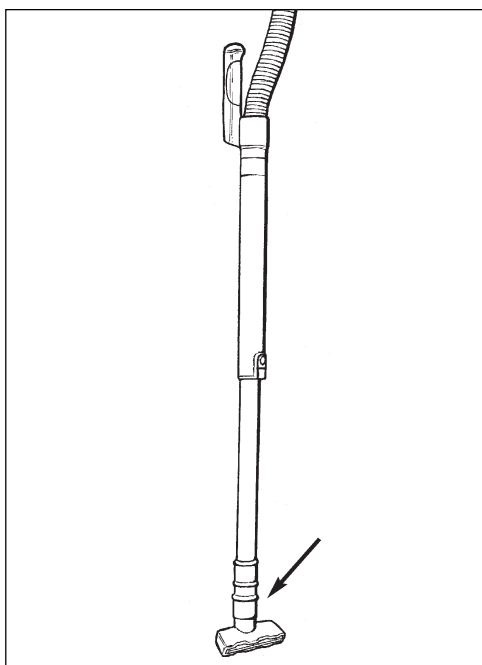


Figure 15

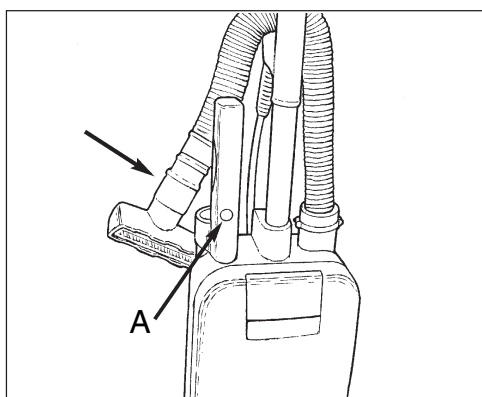


Figure 16

ENTRETIEN

⚠ AVERTISSEMENT : Pour prévenir toute blessure, débranchez toujours la prise électrique avant de procéder à toute réparation ou tout entretien sur la machine.

⚠ AVERTISSEMENT : L'entretien et les réparations ne doivent être effectués que par une personne autorisée. N'utilisez que des pièces Clarke authentiques.

Comment changer le sac-filtre

La machine utilise un sac-filtre en papier jetable. Pour changer le sac-filtre en papier veuillez suivre la procédure suivante :

1. Assurez-vous que le commutateur marche/arrêt est en position "O" et que la machine est débranchée de toute source d'alimentation.
2. Ouvrez le capot avant du boîtier de collecteur de poussière. Pour ouvrir le boîtier de collecteur de poussière, soulevez la poignée de libération (voir figure 17).
3. Saisissez l'élément en carton des deux côtés du sac (voir points A et B sur la figure 19) puis pivotez légèrement et retirez le sac.
5. Installez un nouveau sac filtre. Pour installer un nouveau sac-filtre, veuillez suivre la procédure suivante :
 - a. Dépliez le sac-filtre.
 - b. Tenez le sac par la pièce cartonnée.
 - c. Placez le bas de la pièce cartonnée dans la fente sous l'adaptateur de sac (voir figure 18, élément A)
 - d. Placez les ouvertures de l'élément cartonné au-dessus de l'adaptateur de sac (voir figure 18, élément B).
 - e. Assurez-vous que l'élément cartonné est glissé tout au long de l'adaptateur de sac (figure 19) ou la porte ne fermera pas.
 - f. Fermez le boîtier de collecteur de poussière.

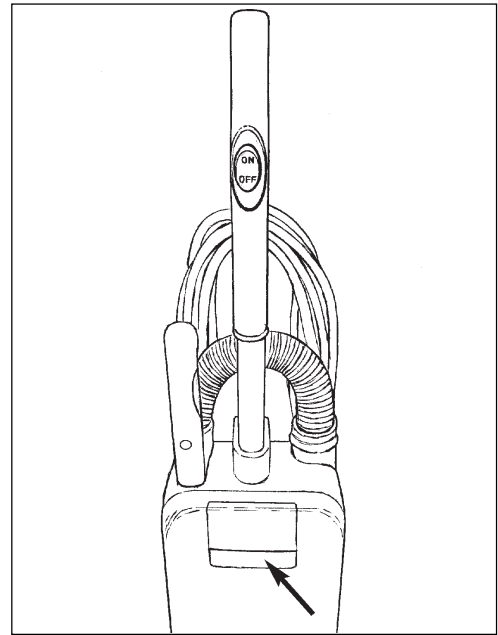


Figure 17

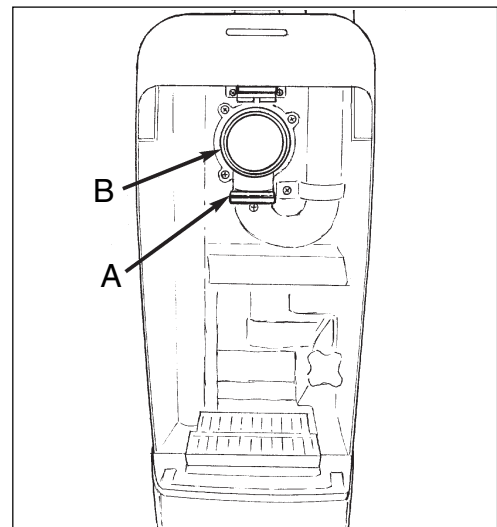


Figure 18

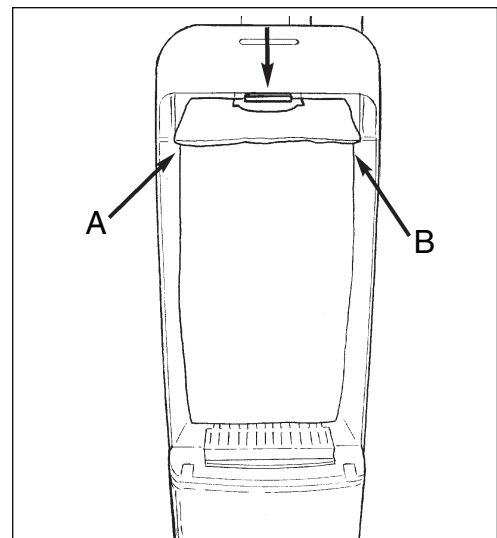


Figure 19

Comment changer la cartouche du filtre

Changez la cartouche de filtre dès qu'elle est sale ou que la succion n'est plus performante. Pour changer la cartouche de filtre, veuillez suivre la procédure suivante :

1. Assurez-vous que le commutateur marche/arrêt est en position "O" et que la machine est débranchée de toute source d'alimentation.
2. Ouvrez la porte du collecteur de poussière.
3. Enlevez le sac-filtre.
4. Enlevez la cartouche de filtre (voir figure 20)..
5. Remplacez la cartouche de filtre et le sac-filtre (voir figure 21).

⚠ ATTENTION : Vérifiez la cartouche de filtre lorsque vous changez le sac en papier. Remplacez la cartouche de filtre lorsqu'elle est sale ou lorsque la performance de succion est moindre même si le sac-filtre est propre.

Comment remplacer la brosse

⚠ AVERTISSEMENT : Pour prévenir toute blessure, débranchez la machine avant le nettoyage ou le remplacement de la brosse. La brosse peut commencer à tourner de manière inopinée et causer des blessures.

1. Placez la machine sur son flanc.
2. Tournez les verrous qui fixent le plateau de bec. Voir figure 22.
3. Soulevez le plateau de bec pour l'enlever.
4. Soulevez le montage de brosse pour l'enlever.
5. Installez le nouveau montage de brosse.
6. Installez le plateau de bec.
7. Placez la machine sur ses roues.

⚠ AVERTISSEMENT : Débranchez avant de procéder à l'entretien pour éviter tout risque de blessure par des pièces mobiles.

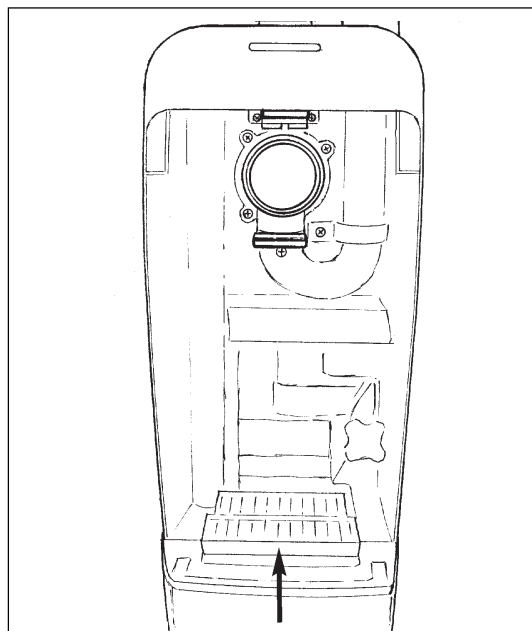


Figure 20

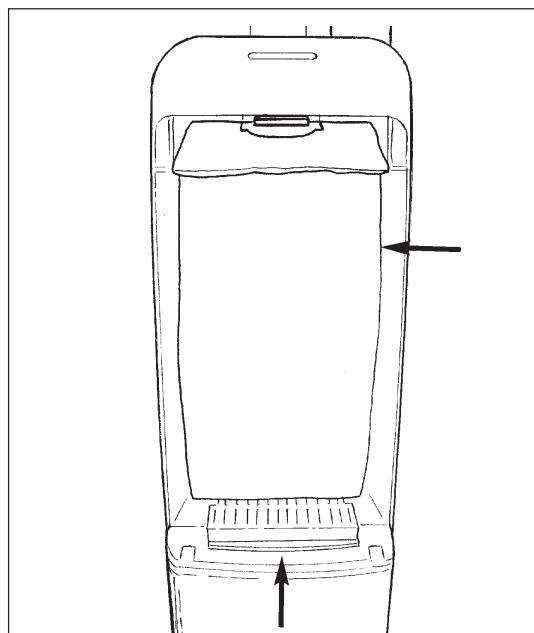


Figure 21

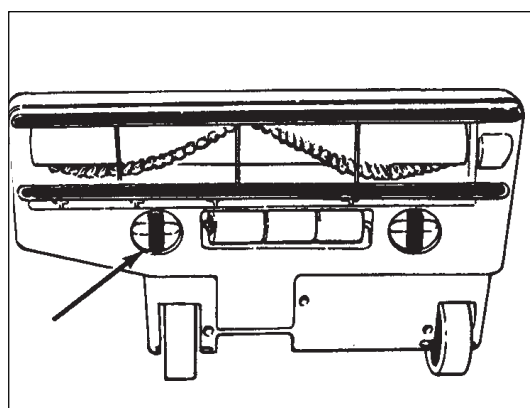


Figure 22

Comment changer la courroie d'entraînement

⚠ AVERTISSEMENT : Pour prévenir toute blessure, débranchez la machine avant le nettoyage ou le remplacement de la brosse. La brosse peut commencer à tourner de manière inopinée et causer des blessures.

Pour remplacer la courroie d'entraînement, veuillez suivre cette procédure :

1. Placez la machine sur son flanc.
2. Soulevez le plateau de bec pour l'enlever.
3. Soulevez le montage de brosse pour l'enlever (voir figure 23).
4. Enlevez la courroie d'entraînement de la poulie de brosse.
5. Enlevez la courroie d'entraînement de l'arbre moteur.
6. Placez une extrémité de la nouvelle courroie d'entraînement autour de l'arbre moteur.
7. Placez l'autre extrémité de la courroie d'entraînement autour de la poulie de brosse.
8. Installez le montage de brosse dans le boîtier de brosse.
9. Installez le plateau de bec.
10. Placez la machine sur ses roues.

⚠ AVERTISSEMENT : Débranchez avant de procéder à l'entretien pour éviter tout risque de blessure par des pièces mobiles.

Le voyant lumineux d'aspiration

Si le voyant lumineux d'aspiration (1) s'allume, (voir figure 24) ou que le moteur s'arrête, veuillez faire comme suit :

1. Placez le commutateur marche/arrêt en position "O" (2).
2. Débranchez le cordon de la prise.
3. Vérifiez qu'il n'y a pas d'obstruction du tuyau d'aspiration. S'il y a une obstruction du tuyau d'aspiration, enlevez-la.
4. Installez le montage de brosse dans le boîtier inférieur. S'il y a une obstruction du montage de brosse, enlevez-la.
5. Vérifiez le sac filtre. Si le sac-filtre est rempli de plus de la moitié, changez ou videz le sac.
6. Vérifiez la cartouche du sac-filtre. Si le filtre est sale, changez le filtre..

Surcharge thermique

Une surcharge thermique est utilisée pour protéger le moteur de l'aspirateur. Si le moteur surchauffe, la surcharge thermique arrêtera le moteur. Si le moteur s'arrête, laissez le moteur refroidir avant de redémarrer la machine. Vérifiez les filtres. Si le moteur continue de s'arrêter, veuillez consulter un technicien autorisé.

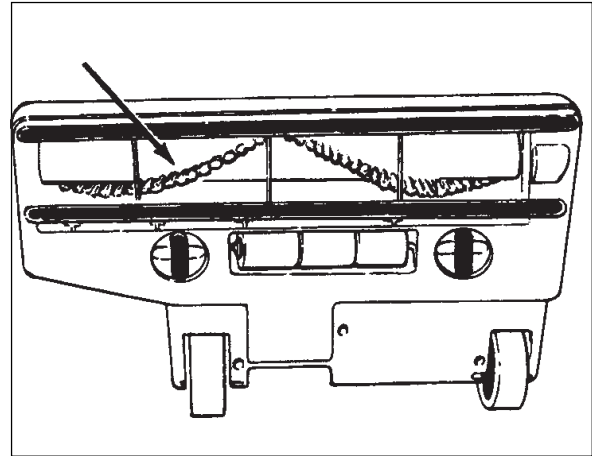


Figure 23

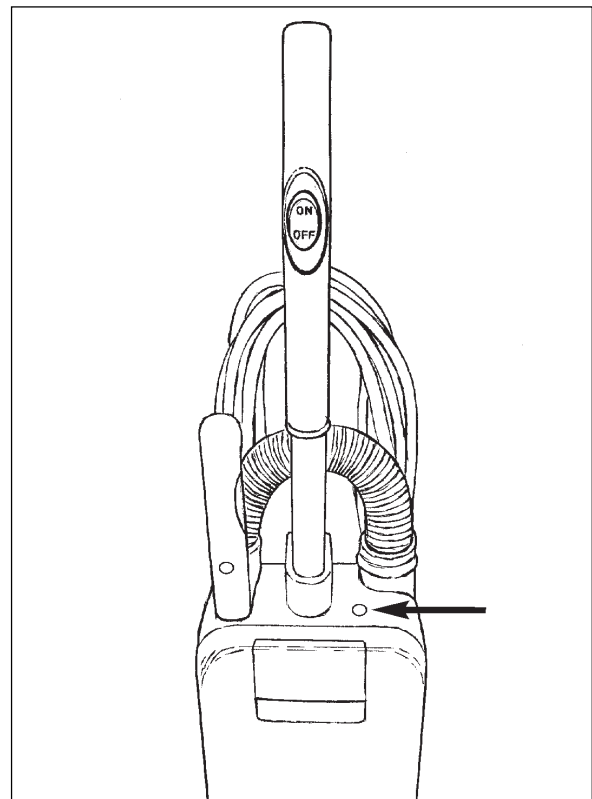


Figure 24

VOYANT LUMINEUX DE PERFORMANCE DE BROSSSE

les aspirateurs-balai D14 et D18 comportent 3 voyants lumineux de performance de brosse (voir figure 25). Ils sont VERT, JAUNE et ROUGE. Ils fonctionnent de la manière suivante :

Fonctionnement Normal :

- La lumière VERTE s'allume lorsque le moteur d'entraînement de la brosse est allumé et que la hauteur de brosse est correcte pour le sol nettoyé.

REMARQUE : Il est normal que les lumières rouges et jaunes s'allument de temps en temps lorsque des surfaces plus hautes ou plus basses sont rencontrées.

Hauteur de brosse trop élevée :

- Le voyant JAUNE restera allumé lorsque la hauteur de brosse est trop élevée pour le sol nettoyé. Abaissez la hauteur de brosse.

Hauteur de brosse trop basse ou brosse bloquée :

- Le voyant ROUGE restera allumé lorsque la hauteur de brosse est trop basse pour le sol nettoyé. Elevez la hauteur de brosse. Le voyant ROUGE s'allume si la brosse est bloquée.
- Si la lumière ROUGE s'allume pendant plus de 10 secondes, l'arrêt de sécurité électronique protégera le moteur de brosse en l'arrêtant.
- Pour réinitialiser le moteur d'entraînement de la brosse, placez la poignée de fonctionnement en position verticale. Placez le commutateur marche/arrêt en position arrêt. Redémarrez la machine.
- Si la hauteur de brosse était trop faible, relevez la brosse.
- Si la brosse était bloquée, débranchez l'aspirateur et nettoyez-la.

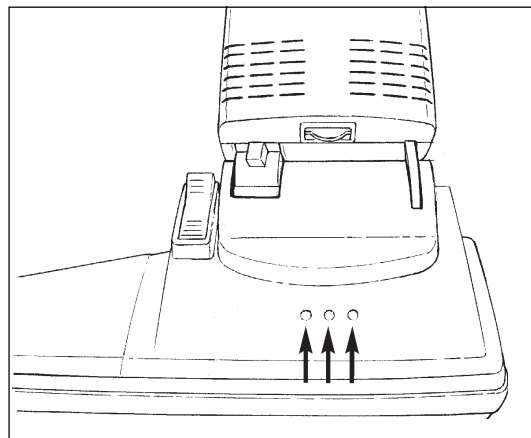


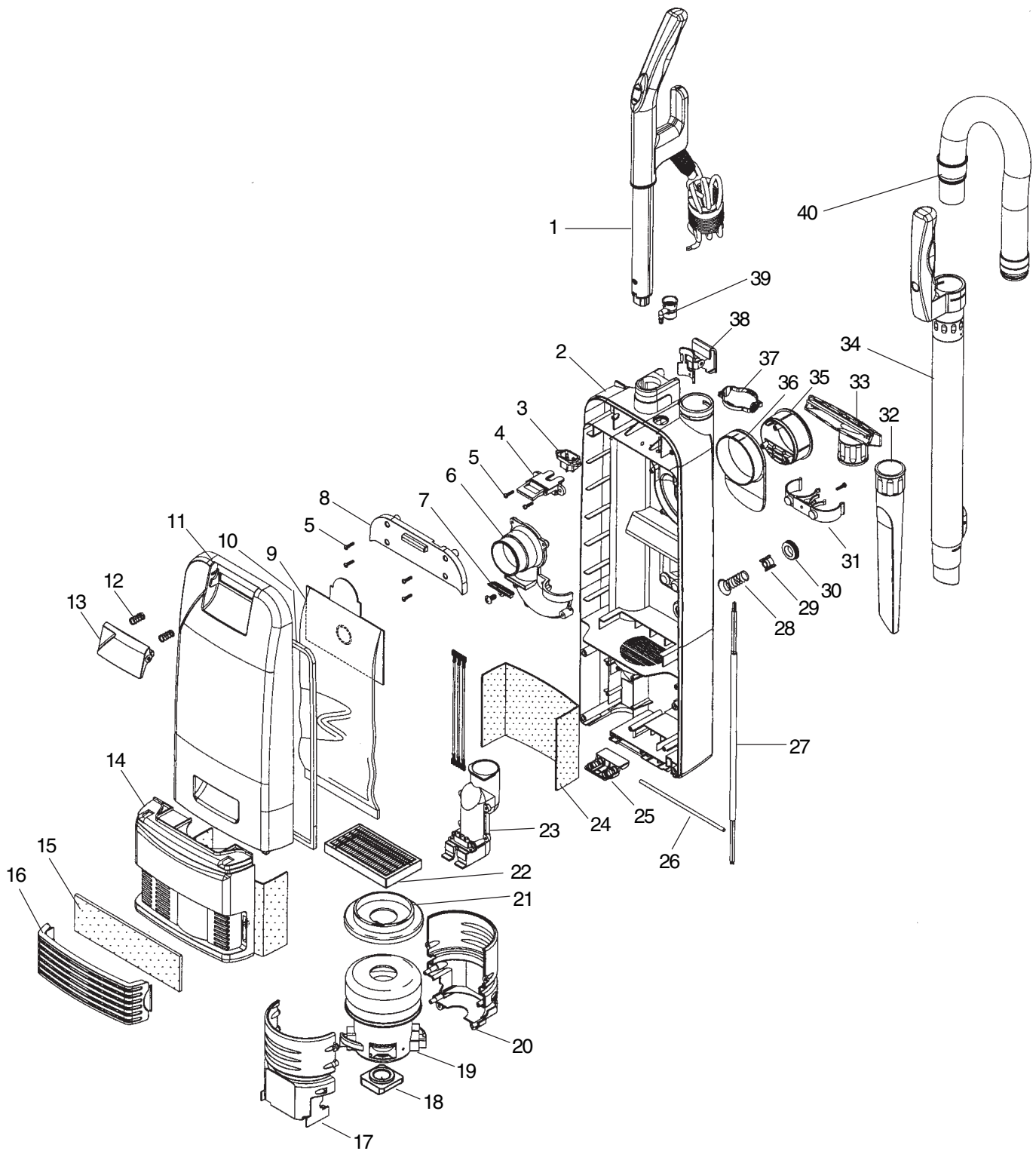
Figure 25

Clarke[®]

D14 & D18
Upright Vacuum
Section II
Parts and Service Manual

(70720A)

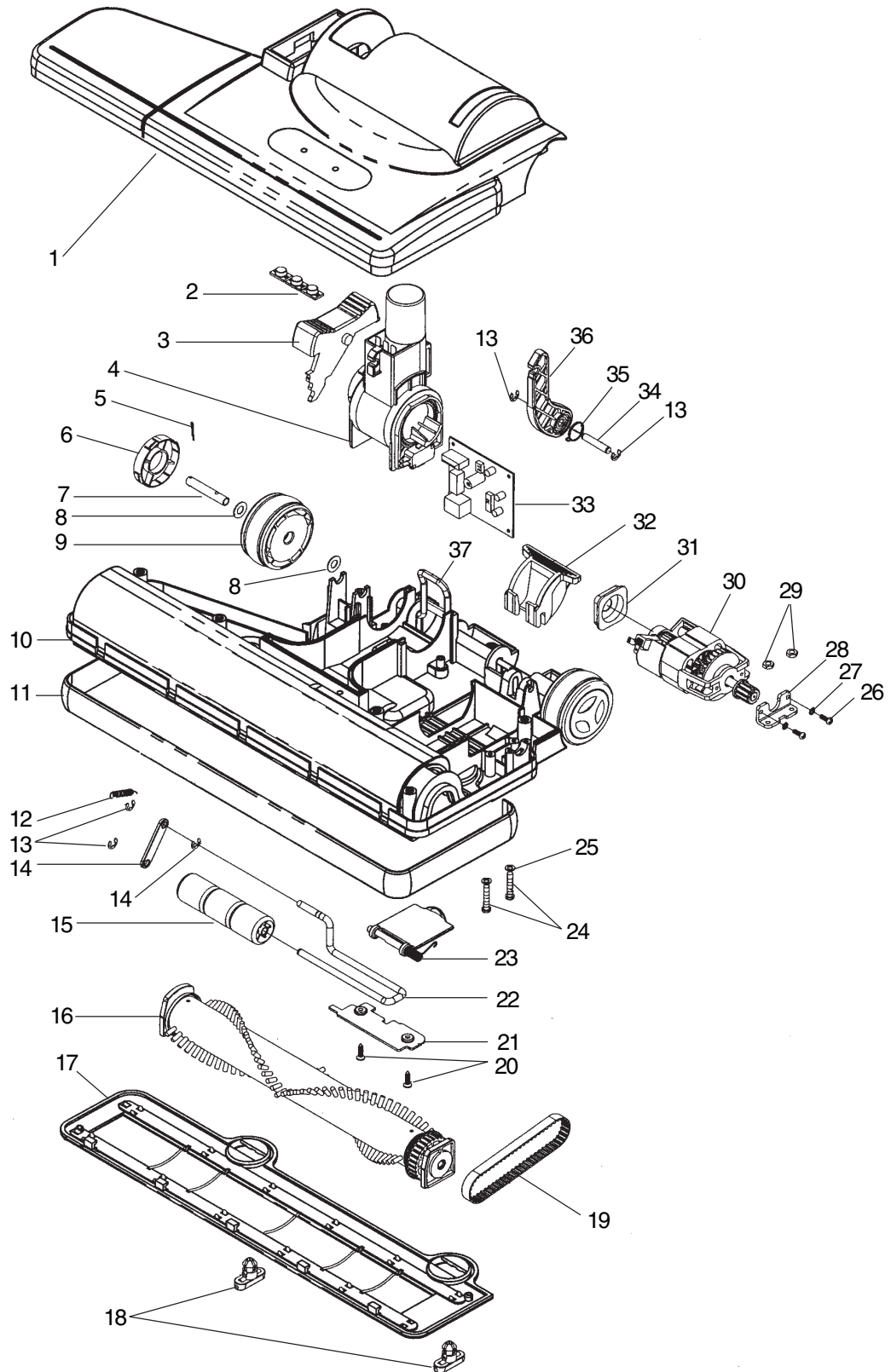
Clarke®
D14 & D18
Drawing #1 Upper Canister Assembly 2/04



Clarke®
D14 & D18
Parts List #1 Upper Canister Assembly 2/06

Ref. No.	Part No.	Description	No. Req'd.
1	53296A	Handle Tube	1
1A	53199A	Handle, Left	1
1B	53207A	Handle, Right	1
1C	53320A	On/Off Switch	1
1D	53315A	Pad, Soft Touch	1
1E	53318A	Power Cord	1
1F	53233A	Receptacle, Handle	1
2	53211A	Canister, Rear (incl. #4, 5, 6, 7, 28, 29, 30, 35, 36)	1
3	53234A	Plug, Canister	1
4	53257A	Pivot, Filter Bag Asm.	1
5	53347A	Screw, M4 x 16	24
6	53213A	Adaptor, Air Inlet Asm. (incl. gaskets - 53307A & 53308A)	1
7	53258A	Guide, Bag Collar	1
8	53212A	Cover, w/Door Latch	1
9	50721B	Bag, Paper (pkg. 10)	1
10	53272A	Gasket, Door	1
11	53218A	Door, Asm. Canister (incl. #10, 12 & 13)	1
12	53330A	Spring, Door Catch	2
13	53219A	Latch, Canister Door	1
14	53215A	Cover, Asm. Vac Motor (incl. # 25 & 26)	1
15	53302A	Exhaust Filter	1
16	53217A	Cover, Exhaust Filter	1
17	53266A	Cover, 2 pc. Vac Motor	1
18	53271A	Spacer, Vacuum Motor	1
19	53324A	Motor, Vac. 120V (incls. #53356A)	1
	53358A	Carbon Brush	2
20		Same as 17 - 2pc. Set	1
21	53270A	Endcap, Vac Motor	1
22	53300A	Filter Cartridge	1
23	53256A	Channel, Airway Asm. (incl. receptacle)	1
24	53306A	Sound Insulation Set	1
25	53214A	Latch, Canister to Brush Hsg.	1
26	53274A	Pin, Canister to Brush Hsg.	1
27	53317A	Interconnect Cord	1
28	53328A	Spring, Air Valve	1
29	53240A	Plunger, Spring	1
30	53264A	Retainer, Air Valve	1
31	53252A	Retainer, Tools	1
32	53220A	Crevice Tool	1
33	53221A	Upholstery Tool w/Brush	1
34	53262A	Wand Assembly	1
35	53253A	Handle, Cord Hook	1
36	53254A	Swivel, Cord Hook	1
37	53255A	Retainer, Hose	2
38	53290A	Clamp, Asm. Handle (incl. 53210A & 53273A)	1
39	53235A	Bag Full Indicator	1
40	53225A	Hose Assembly	1
NI	53567A	O-Ring, Wand	1

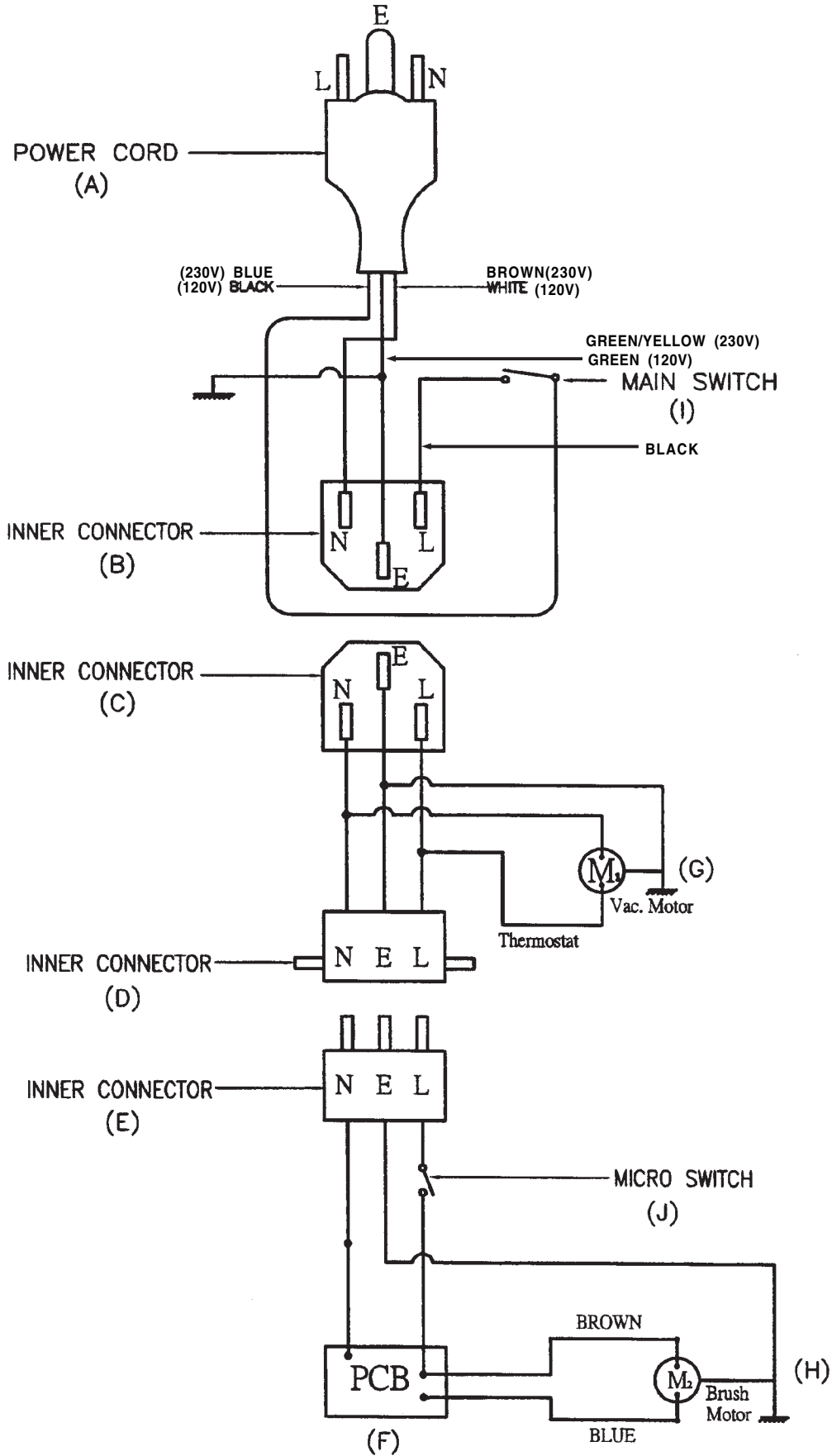
Clarke®
D14 & D18
Drawing #2 Brush Housing Assembly 2/04



Clarke®
D14 & D18
Parts List #2 Brush Housing Assembly 7/04

Ref. No.	Part No.	Description	Qty.
1	53231A	Cover Asm., Brush Hsg. 14"	1
2	53232A	Cover Asm., Brush Hsg. 18" (cover asm. include #2)	1
3	53245A	Pedal, Brush Height	1
4	53242A	Pivot Asm., Airway (incl. 53236A; 53244A Bracket, Airway Right; & 53243A Bracket, Airway Left)	1
5		Cotter Pin	2
6	53259A	Hub Cap	2
7		Axle Hub	2
8	53291A	Spacer, Rear Wheel	4
9	53248A	Rear Wheel	2
10	53227A	Brush Housing Asm. 14"	1
	53228A	Brush Housing Asm. 18" (incl. 53312A, 53313A, 53263A (18))	1
11	53267A	Bumper 14"	1
	53268A	Bumper 18"	1
12	53331A	Spring, Brush Height Shaft	1
13	53355A	E-clips M6	4
14	53284A	Guide, Brush Height Shaft	1
15	53229A	Rollers	3
16	53260A	Brush Assembly 14"	1
	53261A	Brush Assembly 18"	1
17	53250A	Bottom Plate 14"	1
	53251A	Bottom Plate 18"	1
18	53263A	Tension Lever	2
19	53354A	Belt	1
20	53350A	Screw, Flathead M4 x 15	2
21	53286A	Retainer, Door and Rollers	1
22	53282A	Shaft, Rollers	1
23	53230A	Cleanout Door Asm. (incl. 53311A, 53278A& 53332A)	1
24		Screw, M5 - .8 x 24	2
25		Washer, M5	2
26	53348A	Screw, M4 - .7 x 10	2
27		Washer, M4	2
28	53285A	Bracket, Brush Motor	1
29		Nuts, M5 - .8	2
30	53325A	Motor, Brush 120V (incl. #26, 27, 28, 31 & 53298A)	1
31		Endcap, Brush Motor	1
32	53249A	Pedal, Foot Latch	1
33	53326A	Electronics 120V 14"	1
	40732A	Electronics 120V 18"	1
34	53275A	Pin, Support Pivot	1
35	53333A	Spring (include with #36)	1
36	53241A	Support Asm., Canister Pivot (includes #13, 34, 35)	1
37	53293A	Rear Axle (includes #7)	1
NI	53570A	Carbon Brush, Nozzle Motor	2

Clarke®
D14 & D18
Electrical Schematic 1/06



CLARKE PRODUCT SUPPORT BRANCHES

U. S. A. Locations

PRODUCTION FACILITIES

Clarke®, Springdale, Arkansas
2100 Highway 265
Springdale, Arkansas 72764
(479) 750-1000
Customer Service - 1-800-253-0367
Technical Service - 1-800-356-7274

SERVICE FACILITIES

Clarke®, Elk Grove, Illinois 60007
2280 Elmhurst Road
(847) 956-7900

Clarke®, Denver, Colorado 80204
1955 West 13th Ave.
(303) 623-4367

Clarke®, Houston, Texas 77040
7215 North Gessner Road
713-937-7717

SERVICE AND SALES FACILITY

American Lincoln® / Clarke, Madison Heights,
Michigan 48071-0158
29815 John R.
(810) 544-6300

American Lincoln® / Clarke, Marietta, Georgia 30066
1455 Canton Road
(770) 973-5225

Clarke®

Clarke American Sanders

A.L. Cook

Customer Service Headquarters and Factory
2100 Highway 265
Springdale, Arkansas 72764
(479) 750-1000

Technical Service
1-800-356-7274

European Locations

PRODUCTION FACILITIES

ALTO Danmark A/S, Aalborg
Blytaekkervej 2
DK-9000 Aalborg
+45 72 18 21 00

ALTO Danmark A/S, Hadsund
Industrikarveret
DK-9560 Hadsund
+45 72 18 21 00

SALES SUBSIDIARIES

ALTO US - Canada, Ontario (Canada)
4080 B Sladeview Crescent Unit 1
Mississauga, Ontario L5L 5Y5
(905) 569 0266

ALTO Overseas Inc., Sydney (Australia)
1B/8 Resolution Drive
Caringbah NSW 2229
+61 2 9524 6122

ALTO Cleaning Systems Asia Pte Ltd., Singapore
No. 17 Link Road
Singapore 619034
+65 268 1006

ALTO Deutschland GmbH, Bellenberg (Germany)
Guido-Oberdorfer-Straße 2-8
89287 Bellenberg
+49 0180 5 37 37 37

ALTO Cleaning Systems (UK) Ltd., Penrith
Gilwilly Industrial Estate
Penrith
Cumbria CA11 9BN
+44 1768 868 995

ALTO France S.A. Strasbourg
B.P. 44, 4 Place d'Ostwald
F-67036 Strasbourg
Cedex 2
+33 3 8828 8400

ALTO Nederland B.V.
Postbus 65
3370 AB Hardinxveld-Giessendam
The Netherlands
+31 184 677 200

ALTO Sverige AB, Molndal (Sweden)
Aminogatan 18
Box 4029
S-431 04 Molndal
+46 31 706 73 00

ALTO Norge A/S, Oslo (Norway)
Bjornerudveien 24
N-1266
+47 2275 1770

Clarke® LIMITED U.S. WARRANTY

This Industrial/Commercial Product is warranted to be free from defects in materials and workmanship under normal use and service for a period of one year from the date of purchase, when operated and maintained in accordance with Clarke's Maintenance and Operations Instructions.

This warranty is extended only to the original purchaser for use of the product. It does not cover normal wear parts such as electrical cable, rubber parts, hoses and motor brushes.

If a difficulty develops with the product, you should:

(a). Contact the nearest authorized repair location or contact the Clarke Service Operations Department, 2100 Highway 265, Springdale, Arkansas 72764, for the nearest authorized repair location. Only these locations are authorized to make repairs to the product under this warranty.

(b). Return the product to the nearest repair location. Transportation charges to and from the repair location must be prepaid by the purchaser.

(c). Clarke will repair the product and/or replace any defective parts without charge within a reasonable time after receipt of the product.

Clarke's liability under this warranty is limited to repair of the product, and/or replacement of parts and is given to purchaser in lieu of all other remedies, including INCIDENTAL AND CONSEQUENTIAL DAMAGES.

THERE ARE NO EXPRESS WARRANTIES OTHER THAN THOSE SPECIFIED HEREIN. THERE ARE NO WARRANTIES WHICH EXTEND BEYOND THE DESCRIPTION OF THE FACE HEREOF. NO WARRANTIES, INCLUDING BUT NOT LIMITED TO WARRANTY OF MERCHANTABILITY, SHALL BE IMPLIED. A warranty registration card is provided with your product. Return the card to assist in providing the performance you expect from your new floor machine.

Clarke, 2100 Highway 265, Springdale, Arkansas 72764.

**Clarke reserves the right to make changes or improvements to its machine without notice.
Always use genuine Clarke Parts for repair.**

Clarke®

**2100 Highway 265
Springdale, Arkansas, 72764**

Free Manuals Download Website

<http://myh66.com>

<http://usermanuals.us>

<http://www.somanuals.com>

<http://www.4manuals.cc>

<http://www.manual-lib.com>

<http://www.404manual.com>

<http://www.luxmanual.com>

<http://aubethermostatmanual.com>

Golf course search by state

<http://golfingnear.com>

Email search by domain

<http://emailbydomain.com>

Auto manuals search

<http://auto.somanuals.com>

TV manuals search

<http://tv.somanuals.com>