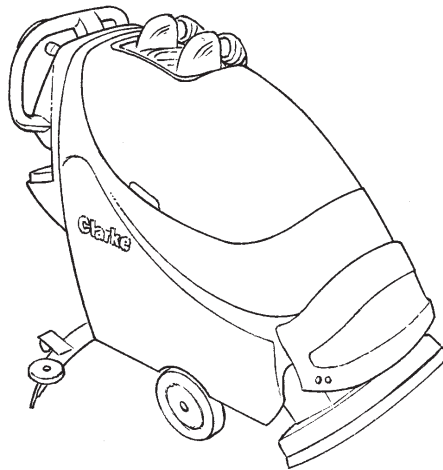


# Clarke®

## **FOCUS** **S17/L17 Rotary** **L17 Cylindrical** **S20/L20 Rotary**



### **Operator's Manual** **Manuel d'utilisation** **Libro de Instrucciones**

U.S. Patent No. 6,105,192; No. 6,557,207; No. 6,760,947 and other Patents Pending



**READ THIS BOOK**

**LEA ESTE MANUAL**

**LISEZ CE MANUEL**

**EN**

**English (2 - 27)**

**ES**

**Español (28 - 53)**

**FR**

**Français (54 - 79)**

This book has important information for the use and safe operation of this machine. Failure to read this book prior to operating or attempting any service or maintenance procedure to your Clarke machine could result in injury to you or to other personnel; damage to the machine or to other property could occur as well. You must have training in the operation of this machine before using it. If your operator(s) cannot read this manual, have it explained fully before attempting to operate this machine.

All directions given in this book are as seen from the operator's position at the rear of the machine.

For new books write to: Clarke®, 2100 Highway 265, Springdale, Arkansas 72764.

## Table of Contents

Operator Safety Instructions .....	3
Machine Introduction .....	4
Machine Specifications .....	5
Procedures for Transporting Machine .....	7
Symbols Used on Machine .....	9
Machine Control Panel .....	10
Machine Controls and Features .....	11
How to Prepare the Machine for Operation .....	12
How to Install the Batteries .....	12
Battery Maintenance .....	14
How to Charge the Batteries .....	15
How to Install a Rotary Brush or Pad Driver .....	16
How to Remove a Rotary Brush or Pad Driver .....	17
How to Change or Rotate Cylindrical Brushes .....	17
How to Operate the Machine .....	18
How to Operate the Squeegee .....	18
Filling the Solution Tank .....	18
Operating the Machine .....	18
How to Clean a Dirty Floor .....	19
Maintenance .....	20
Procedures Before Work is Begun .....	20
Procedures to Perform at the End of Work .....	21
Procedures to Perform Every Week .....	22
Maintenance for the Squeegee .....	24
How to Adjust the Squeegee .....	24
Accessories .....	25
How to Correct Problems in the Machine .....	26

### **SECTION II - Parts and Service Manual**




Final Assembly .....	82
Parts List .....	83
Recovery Tank Assembly .....	84
Parts List .....	85
Solution Tank Assembly .....	86
Parts List .....	87
Electrical Assembly .....	88
Parts List .....	89
Control Housing Assembly .....	90
Parts List .....	91
Squeegee Lift Assembly .....	92
Parts List .....	93
Squeegee Assembly .....	94
Parts List .....	95
Frame Assembly .....	96
Parts List .....	97
Cylindrical Brush Head Assembly .....	98
Parts List .....	99
Rotary Disk Head Assembly .....	100
Parts List .....	101
Gearbox Assembly and Parts List .....	102
Brush Motor Assembly and Parts List .....	103
Transaxle Repair Parts .....	104
FOCUS S17/S20 Connection Diagram .....	105
FOCUS S17/S20 Electrical Schematic .....	106
FOCUS L17/L20 Connection Diagram .....	107
FOCUS L17/L20 Electrical Schematic .....	108










# OPERATOR SAFETY INSTRUCTIONS











 **WARNING**

 **AVERTISSEMENT**

 **ADVERTENCIA**

-  **DANGER:** Failure to read and observe all **DANGER** statements could result in severe bodily injury or death. Read and observe all **DANGER** statements found in the Operator's Manual and on the machine.
-  **WARNING:** Failure to read and observe all **WARNING** statements could result in injury to you or to other personnel; property damage could occur as well. Read and observe all **WARNING** statements found in the Operator's Manual and on the machine.
-  **CAUTION:** Failure to read and observe all **CAUTION** statements could result in damage to the machine or to other property. Read and observe all **CAUTION** statements found in the Operator's Manual and on the machine.

-  **DANGER:** Failure to read the Operator's Manual prior to operating or attempting any service or maintenance procedure to your Clarke machine could result in injury to you or to other personnel; damage to the machine or to other property could occur as well. You must have training in the operation of this machine before using it. If you or your operator(s) cannot read English, have this manual explained fully before attempting to operate this machine.
-  **DANGER:** Operating a machine that is not completely or fully assembled could result in injury or property damage. Do not operate this machine unless it is completely assembled. Inspect the machine carefully before operation.
-  **DANGER:** Machines can cause an explosion when operated near flammable materials and vapors. Do not use this machine with or near fuels, grain dust, solvents, thinners, or other flammable materials. This machine is not suitable for picking up hazardous dust. Use only commercially available floor cleaning chemicals intended for machine application.
-  **DANGER:** Lead acid batteries generate gases which can cause an explosion. Keep sparks and flames away from batteries. Do not smoke around the machine. Charge the batteries only in an area with good ventilation. Make sure that the AC charger plug is unplugged from the wall receptacle and stowed before operating the machine.
-  **DANGER:** Working with batteries can be dangerous! Always wear eye protection and protective clothing when working near batteries. Remove all jewelry. Do not put tools or other metal objects across the battery terminals, or on the tops of the batteries.
-  **DANGER:** Using a charger with a damaged power cord could result in an electrocution. Do not use the charger if the power cord is damaged.
-  **WARNING:** Operating this machine from anywhere other than the back of the machine could result in injury or damage. Operate this machine only from the rear.
-  **WARNING:** This machine is heavy. Get assistance before attempting to transport or move it. Use two able persons to move the machine on a ramp or incline. Always move slowly. Do not turn the machine on a ramp. Do not use on surfaces having a gradient exceeding that marked on the appliance. Read the "Procedures For Transporting" in this manual before transporting as machine might topple over if not secured.
-  **WARNING:** Machines can topple over and cause injury or damage if guided over the edges of stairs or loading docks. Stop and leave this machine only on a level surface. When you stop the machine, put all switches into their "OFF" position. On L17 and L20 models turn the key switch "OFF" and remove the key.

-  **WARNING:** Maintenance and repairs performed by unauthorized personnel could result in damage or injury. Maintenance and repairs must be performed by authorized personnel only.
-  **WARNING:** Any alterations or modifications to this machine could result in damage to the machine or injury to the operator or other bystanders. Alterations or modifications not authorized by the manufacturer voids any and all warranties and liabilities.
-  **WARNING:** Electrical components to this machine can "short-out" if exposed to water or moisture. Keep the electrical components of the machine dry. Wipe the machine down after each use. This appliance is for dry use only and is not to be used or stored outdoors in wet conditions.
-  **WARNING:** Operating a machine without observing all labels and instructional information could result in injury or damage. Read all machine labels before attempting to operate. Make sure all of the labels and instructional information are attached or fastened to the machine. Get replacement labels and decals from your Clarke distributor.
-  **WARNING:** Wet floor surfaces can be slippery. Water solutions or cleaning materials used with this type of machine can leave wet areas on the floor surface. These areas can cause a dangerous condition for the operator or other persons. Always put "Caution" signs around/near the area you are cleaning.
-  **WARNING:** Improper discharge of waste water may damage the environment and be illegal. The United States Environmental Protection Agency has established certain regulations regarding discharge of waste water. City, state and national regulations regarding this discharge may also be in effect in your area. Understand and follow the regulations in your area. Be aware of the environment hazards of chemicals that you dispose.
-  **WARNING:** Only use the brushes provided with the appliance or those specified in the Operator's Manual. The use of other brushes may impair safety.
-  **CAUTION:** Use of this machine to move other objects or to climb on could result in injury or damage. Do not use this machine as a step or furniture. Do not ride on this machine.
-  **CAUTION:** Your machine warranty will be voided if anything other than genuine Clarke parts are used on your machine. Always use Clarke parts for replacement.
-  **CAUTION:** This machine contains lead acid batteries. The batteries must be disposed of in an environmentally acceptable manner.

## Machine Introduction

### Introduction & Machine Specifications

Clarke's FOCUS S17/S20 and L17/L20 automatic scrubbers are efficient and superior floor cleaning machines. The FOCUS uses one brush (rotary) to scrub a path 17" or 20" wide or 2 brushes (cylindrical) to scrub a path 17" wide. A squeegee wipes the floor while the vacuum motor removes the dirty solution from the floor - all in one pass.

The FOCUS S17/S20 and L17/L20 rotary comes complete with two - 12 volt batteries, one battery charger, either one brush or one pad driver, and one operator's manual.

The FOCUS L17 cylindrical comes complete with two - 12 volt batteries, one battery charger, two brushes, and one operator's manual.

Model	FOCUS S17 Rotary	FOCUS L17 Rotary
Machine Power Supply	24 Volt D.C., (2) 12V 130AH Wet or (2) 12V 100AH Gel Deep Cycle Batteries	24 Volt D.C., (2) 12V 130AH Wet or (2) 12V 100AH Gel Deep Cycle Batteries
Pad or Brush	3-Lug Driver Style	3-Lug Driver Style
Traverse	Brush Assist	1/3 HP (0.25 kW)
Traverse Forward Speed	Not Applicable	Variable to 200 ft./min (61 m/min)
Traverse Reverse Speed	Not Applicable	Variable to 140 ft./min. (43 m/min)
Battery Protection	Low Voltage Cut-Off of Brush and Solution	
Motor Vacuum	3/4 HP(.569 kW) Acoustical High Efficient Tangential 3 stg	
Solution Tank	11 Gallons (42 liters)	
Solution Level	Calibrated Level Indicator	
Recovery Tank	11 Gallons (42 liters)	
Recovery Full Indicator	Electric Shut-Off	
Parabolic Squeegee	Swing type with breakaway feature, No tool operation feature, 32" (81cm) hard width with 34" (86cm) flex blade width	
Squeegee Operation	Reverse direction on floor and 3 - position manual lever style operation	
Cleaning Swath	17" (43.2 cm)	
Motor, Brush	3/4 HP (0,56 kW) 5.2:1 High Torque Gear Box	
Brush / Pad Size	17" (43.2 cm)	
Brush Speed	200 RPM	
Brush Pressure	0-90 lbs. (0-40.8 kg)	
Brush Solution Retention	Fiber Bristles	
Drive Wheels	(2) 8" x 2" (20 cm x 5 cm) Neoprene tread	
Caster	3½" X 1¼" (8.9 cm x 3.2 cm)	
On-Board Charger	24 V D.C., 10 Amp, 115/60 or 24 V D.C., 10 Amp, 230/50	
Grade Cleaning	2%	
Length	48 ¾" (123.8 cm)	
Width	19" (48.3 cm)	
Height	42" (106.7 cm)	
Weight w/batteries (130AH)	327 lbs. (148.3 kg)	345 lbs. (156.5 kg)
Shipping Weight w/Batteries (130AH)	454 lbs. (206 kg)	472 lbs. (214 kg)
Line of Sight (Operator Height = 5'8")	7.5 feet (2.3 m)	
Warranty	Machine 3 Years, Polydur tanks 8 Years, Batteries 18 Months Pro-rated	

Model	FOCUS L17 Cylindrical
Machine Power Supply	24 Volt D.C., (2) 12V 130AH Wet or (2) 12V 100AH Gel Deep Cycle Batteries
Traverse	1/3 HP (0.25 kW)
Traverse Forward Speed	Variable to 200 ft./min (61 m/min)
Traverse Reverse Speed	Variable to 140 ft./min. (43 m/min)
Battery Protection	Low Voltage Cut-Off of Brushes and Solution
Motor Vacuum	3/4 HP(.569 kW) Acoustical High Efficient Tangential 3 stg.
Solution Tank	11 Gallons (42 liters)
Solution Level	Calibrated Level Indicator
Recovery Tank	11 Gallons (42 liters)
Recovery Full Indicator	Electric Shut-Off
Parabolic Squeegee	Swing type with breakaway feature, No tool operation feature, 32" (81cm) hard width with 34" (86cm) flex blade width
Squeegee Operation	Reverse direction on floor and 3 - position manual lever style operation
Cleaning Swath	17" (43.2 cm)
Motor, Brush	(2) 3/4 HP (0,56 kW)
Brush 2 per Machine	(2) 4" (10 cm)
Brush Speed	1000RPM
Brush Pressure	70 lbs. (31.8 kg)
Drive Wheels	(2) 8" x 2" (20 cm x 5 cm) Neoprene tread
Caster	3½" X 1¼" (8.9 cm x 3.2 cm)
On-Board Charger	24 V D.C., 10 Amp, 115/60 or 24 V D.C., 10 Amp, 230/50
Grade Cleaning	2%
Length	48 ¼" (122.6 cm)
Width	20" (50.8 cm)
Height	42" (106.7 cm)
Weight w/batteries (130 AH)	360 lbs. (163.3 kg)
Shipping Weight w/Batteries (130AH)	487 lbs. (221 kg)
Line of Sight -Operator Height = 5'8"	7.5 feet (2.3 m)
Warranty	Machine 3 Years, Polydur tanks 8 Years, Batteries 18 Months Pro-rated

## Machine Specifications (S20 Rotary and L20 Rotary)

Model	FOCUS S20 Rotary	FOCUS L20 Rotary
Machine Power Supply	24 Volt D.C., (2) 12V 130AH Wet or (2) 12V 100AH Gel Deep Cycle Batteries	24 Volt D.C., (2) 12V 130AH Wet or (2) 12V 100AH Gel Deep Cycle Batteries
Pad or Brush	3-Lug Driver Style	3-Lug Driver Style
Traverse	Brush Assist	1/3 HP (0.25 kW)
Traverse Forward Speed	Not Applicable	Variable to 200 ft./min (61 m/min)
Traverse Reverse Speed	Not Applicable	Variable to 140 ft./min. (43 m/min)
Battery Protection	Low Voltage Cut-Off of Brush and Solution	
Motor Vacuum	3/4 HP (.569 kW) Acoustical High Efficient Tangential 3 stg	
Solution Tank	11 Gallons (42 liters)	
Solution Level	Calibrated Level Indicator	
Recovery Tank	11 Gallons (42 liters)	
Recovery Full Indicator	Electric Shut-Off	
Parabolic Squeegee	Swing type with breakaway feature, No tool operation feature, 32" (81cm) hard width with 34" (86cm) flex blade width	
Squeegee Operation	Reverse direction on floor and 3 - position manual lever style operation	
Cleaning Swath	20" (50.8 cm)	
Motor, Brush	3/4 HP (0,56 kW) 5.2:1 High Torque Gear Box	
Brush / Pad Size	20" (50.8 cm)	
Brush Speed	200 RPM	
Brush Pressure	0-90 lbs. (0-40.8 kg)	
Brush Solution Retention	Fiber Bristles	
Drive Wheels	(2) 8" x 2" (20 cm x 5 cm) Neoprene tread	
Caster	3½" X 1¼" (8.9 cm x 3.2 cm)	
On-Board Charger	24 V D.C., 10 Amp, 115/60 or 24 V D.C., 10 Amp, 230/50	
Grade Cleaning	2%	
Length	48 ¾" (123.8 cm)	
Width	19" (48.3 cm)	
Height	42" (106.7 cm)	
Weight w/batteries (130AH)	327 lbs. (148.3 kg)	345 lbs. (156.5 kg)
Shipping Weight w/Batteries (130AH)	454 lbs. (206 kg)	472 lbs. (214 kg)
Line of Sight (Operator Height = 5'8")	7.5 feet (2.3 m)	
Warranty	Machine 3 Years, Polydur tanks 8 Years, Batteries 18 Months Pro-rated	

## Procedures For Transporting

### How to Put the Machine Into a Van or Truck

**⚠ WARNING:** This machine is heavy. Get assistance before attempting to transport or move it. Use two able persons to move the machine on a ramp or incline. Always move slowly. Do not turn the machine on a ramp. Do not stop and leave the machine on a ramp or incline. The loading ramp must be a minimum of 32" wide.

**⚠ WARNING:** Machines can topple over if guided over the edges of stairs or loading docks and cause injury or damage. Stop and leave this machine only on a level surface. When you stop the machine, put all switches into their "OFF" position.

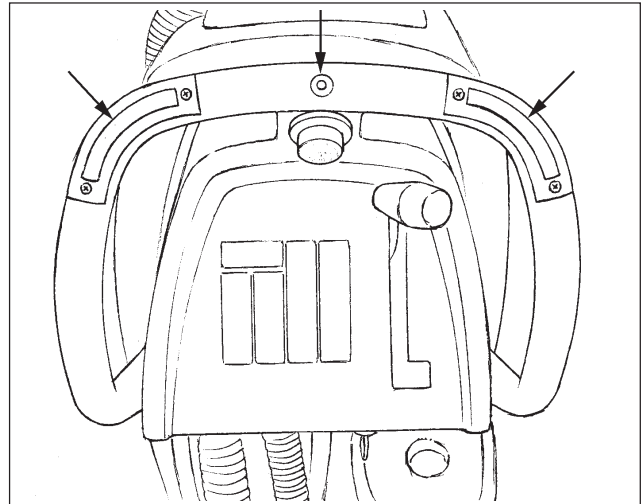


Figure #1

1. Make sure the loading ramp is at least eight (8) feet (2.5m) long and a minimum of 32" (0.8m) wide, and strong enough to support the machine.
2. Make sure the ramp is clean and dry.
3. Put the ramp in position.
4. Remove squeegee assembly, brush housing and brush or pad driver before loading. Clarke recommends that both the solution tank and recovery tank are empty before loading.
5. On the L17/L20 models only, turn the key switch "ON" and press the green "ON" button.
6. Align the machine on a level surface five (5) feet (2 m) in front of the ramp.
7. Put the traverse knob at full speed (on L17/L20 models only).
8. For the L17/L20 machines, push in either one of the forward/reverse switches while pushing in the white reverse switch. Back the machine up the ramp. See figure 1.
9. For the S17/S20 machines, push the machine backwards to the top of the ramp.
10. Switch machine "OFF", and on the L17/L20 models, turn key switch "OFF".



## Procedures For Transporting (cont.)

11. **Fasten the machine to the vehicle.** Clarke recommends a strap over the top of the machine and a strap to keep the machine from rolling forward or backwards. If this is not done, there is a possibility of the machine toppling over. Three tie down points are provided on the steel frame of the machine, for securing machine (see figure 2a).

### How to Remove the Machine From a Van or Truck

1. Make sure there are no obstructions in the area.
2. Make sure the unloading ramp is at least eight (8) feet (2.5m) long and a minimum of 32" (0.8m) wide, and strong enough to support the machine.
3. Make sure the ramp is clean and dry.
4. Put the ramp in position.
5. Unfasten the machine.

**⚠ WARNING:** The machine is heavy. Make sure you use two able persons to assist in moving the machine down the ramp.

6. On S17/S20 models, get two people to pull machine off ramp. It is recommended that the "S" model be unloaded in the forward position.
7. On the L17/L20 models only, turn the key switch "ON" and press the green "ON" button.
8. Set the traverse center knob to the slowest forward speed setting. Carefully and slowly, drive the machine to the top of the ramp and start down (L17/L20 models only).
9. While pushing in the right or left forward switch the machine will go forward (L17/L20 models only). See figure 2.
10. As the machine begins to travel down the ramp, push in the forward switch to maintain a slow downward speed (L17/L20 models only).
11. Replace squeegee assembly, brush housing, and brush or pad driver after machine is unloaded and ready to use.

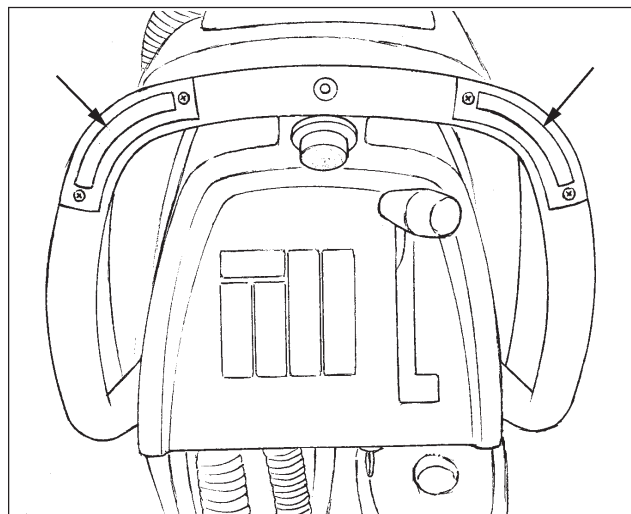


Figure #2

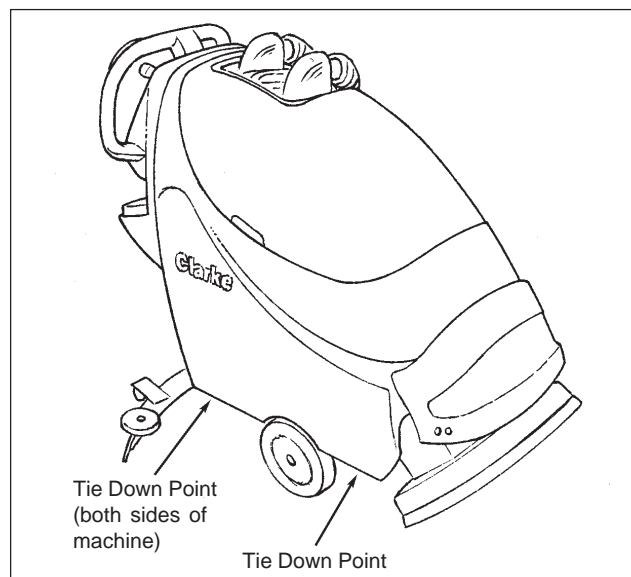


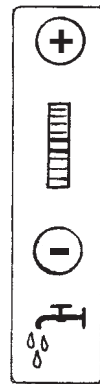
Figure #2a



**SYMBOLS USED ON FOCUS S17/S20 & L17/L20**



**Warning**



**Solution Control**



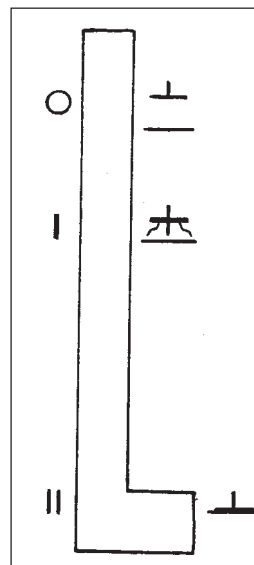
**Power**



**Brush Up/Down**



**Traverse Speed Control  
("L Class" only)**



**Vacuum/Squeegee  
Control**



**Battery Meter**



**AC Power Indicator**

## Machine Control Panel

### Electrical Power Indicator (See Figure 3, Item "A")

A yellow light will be illuminated when the charger is plugged into an AC electrical outlet. The electrical cord must be unplugged and stowed before operating the machine.

### Key Switch (See Figure 3, Item "B")

The key switch is standard on the "L" models. It is used primarily for preventing unauthorized use by removing the key. To turn the control panel "ON", the key switch must be turned clockwise and then the green "ON" button must be pressed (see item "C"). To turn the control panel "OFF", turn the key switch counterclockwise.

### ON/OFF Buttons (See Figure 3, Item "C")

Pressing the green button turns "ON" the power to the control panel (if the machine is equipped with a key switch, first turn the key clockwise). Pressing the red button turns "OFF" power to the control panel (if the machine is equipped with a key switch, the power can also be turned "OFF" by turning the key counterclockwise.)

NOTE: The "L model" machine is equipped with self diagnostics and will sometimes fail to operate if a fault is detected. Once the fault is corrected the machine can be reset by turning the power "OFF" and turning it back "ON". If this fails to correct the problem, contact your authorized service personnel immediately.

NOTE: This machine is equipped with a battery power saving device. If the machine is unattended for more than 16 minutes, it will automatically shut itself off.

### Battery Meter (See Figure 3, Item "D")

The battery meter indicates the relative charge of the battery pack. The meter has two green, one yellow and one red light. When the light switches to "red" the brush(es) and solution flow will stop. All other functions will continue to operate. The batteries must then be immediately recharged to prevent shortening the life of the battery pack.

### Control Handles (See Figure 3, Item "E")

The control handles are located at the rear of the machine. They are used to guide the machine.

### Traverse Speed Knob (See Figure 3, Item "F")

To increase speed, turn knob clockwise. The machine will not traverse when the knob is turned fully counterclockwise.

### Forward/Reverse Switch (See Figure 3, Item "G")

**On Traverse "L" Models Only** - The forward/reverse switch starts the traverse motor forward and when the brush head is in the down or scrub position it also activates the brush motor(s) and solution flow. There is a two second delay for the brush motor(s) to stop after releasing the switch. Either the right or the left switch can be used. Use either switch in conjunction with the white reverse switch to reverse the traverse motor.

**"S" Model** - On the non-traverse models these switches activate the brush motor(s) and solution flow when the brush head is in the down or scrub position.

### Reverse Switch (See Figure 3, Item "H")

**On Traverse "L" Models Only** - The reverse switch, when used in conjunction with one of the forward/reverse switches, causes the machine to reverse directions. The reverse speed is 70% of the forward speed.

### Brush Motor Buttons (See Figure 3, Item "I")

To lower brush head and activate brush motor(s) and solution flow, press and hold the down button until the green light is illuminated. Continue to press and hold down button for additional brush pressure, or until brush head stops. The brush motor(s) and solution will then operate when either one or both of the forward/reverse button(s) are pressed. To deactivate the brush motor(s) and solution flow, raise the brush head by pressing and holding the up button until the green indicator light turns off.

### Solution Control Buttons (See Figure 3, Item "J")

The solution control buttons regulates the flow of chemical solution to the floor. When powering up the machine, the solution setting will automatically adjust to the mid setting (see your authorized Clarke serviceman if a different setting is preferred). To increase the flow, press and hold or press the upper button (+) multiple times. The green bar will move up the scale as the flow increases. To decrease the flow, press and hold or press the lower button (-) multiple times. The green bar will move down the scale as the flow decreases. When the bar reaches the lowest setting the solution flow is turned "OFF". **NOTE: The solution will only flow when the brush head is down and in the operating position.**

### Vacuum Motor Switch (See Figure 3, Item "K")

To activate the vacuum motor, lower the squeegee handle. The handle has three positions. Lowest position is the operating water pickup position. The center position is used during transport to clear vacuum hose. The upper position is the vacuum motor "OFF" position.

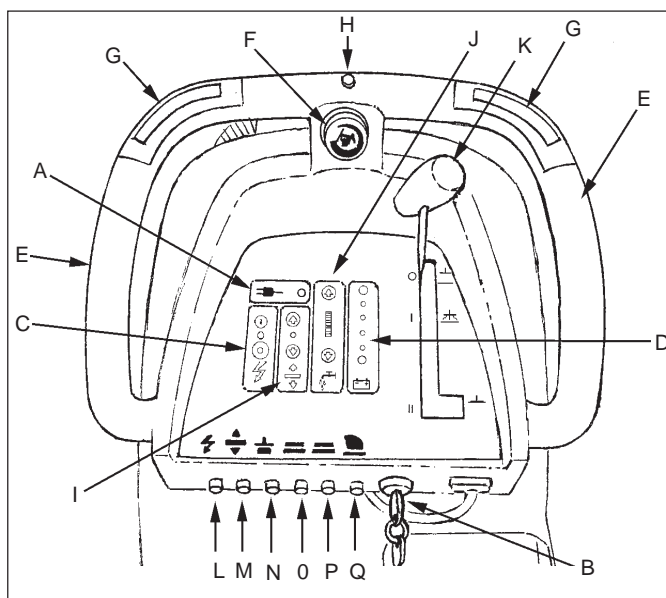


Figure 3

## Machine Control Panel

### Circuit Breakers (Figure 3, Items "L", "M", "N", "O", "P" & "Q")

The circuit breaker reset buttons are located on the lower control handle. The breakers are located as follows:

- Item "L" - Control Circuits (5 amps)
- Item "M" - Control Module and Head Actuator (5 amps)
- Item "N" - Vacuum Motor (25 amps)
- Item "O" - Rotary Brush Motor (40 amps) or  
Cylindrical Brush Motor (25 amps)
- Item "P" - Cylindrical Brush Motor (25 amps)
- Item "Q" - Traverse Motor (25 amps) (L17/L20 Only)

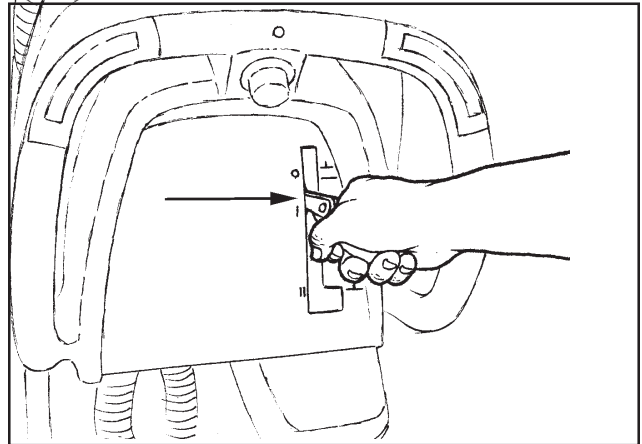


Figure 4

## Machine Controls and Features

### Squeegee Lift Handle, See Figures 4 and 5

The squeegee lift handle is located in the control handle. It is used to raise or lower the squeegee. The vacuum motor is turned on when the handle is lowered to either the center or lowest position.

### Float Shut Off, See Figure 6

The shut-off switch for the vacuum motor is located in the recovery tank. It automatically turns off the vacuum motor when the recovery tank is full. **NOTE: If excessive foaming occurs in recovery tank, defoamer must be added. Damage to vacuum motor could result from foam entering into the vacuum motor.**

### Parking Brake (Optional)

**NOTE: Parking Brake must be used if operating machine on surfaces with greater than 2% gradient.**

The parking brake prevents movement of the machine.

**⚠ CAUTION: Do not activate the parking brake while the machine is moving.**

The brake is located to the right hand rear of the machine. Press pedal to activate brake and lift pedal to disengage brake.

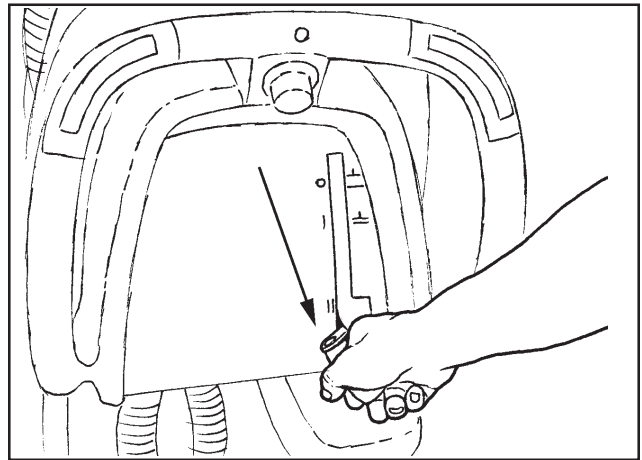


Figure 5

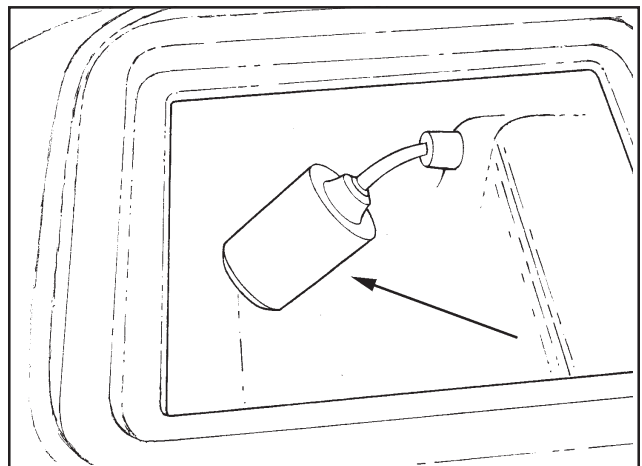


Figure 6

## How To Prepare the Machine For Operation

The FOCUS 17/20 machines use two 12-volt batteries. The batteries are located in the battery compartment under the recovery tank. It is recommended to remove the recovery tank when installing the batteries.

### How To Install The Batteries

To install the batteries, follow this procedure:

1. Turn the machine off. Set brake (if equipped).
2. Make sure the recovery tank is empty. NOTE: The recovery tank on the FOCUS 17/20 is designed for easy removal and cleaning.
3. Disconnect the hoses from the recovery lid (See Figure 7.)
4. Unhook the recovery tank drain hose valve from its hanger bracket and lay the loose end on the floor (See figure 8.)

**⚠ WARNING:** Before raising or removing the recovery tank, be sure tank is empty. Do not operate or perform maintenance on the machine while the recovery tank is in the open position. The tank can be accidentally bumped and it may slam shut.

5. Disconnect the blue electrical float connector (See Figure 9).
6. Unhook the tether clip from the recovery tank (See Figure 10).
7. Unlatch and stow prop rod back in solution tank and close recovery tank.
8. While pushing the tank to the rear, carefully lift and remove recovery tank from the machine. Leave the recovery drain hose attached to the recovery tank.

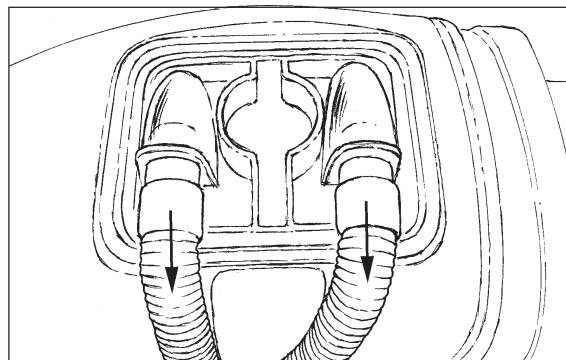


Figure 7

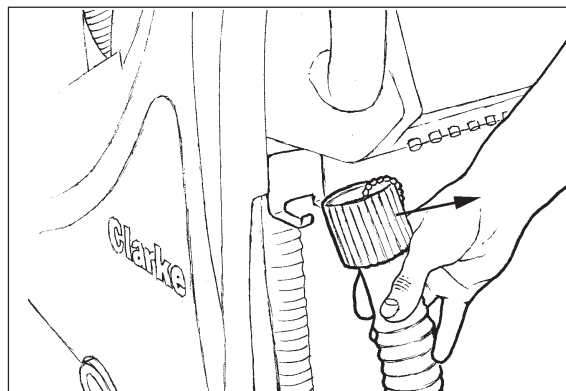


Figure 8

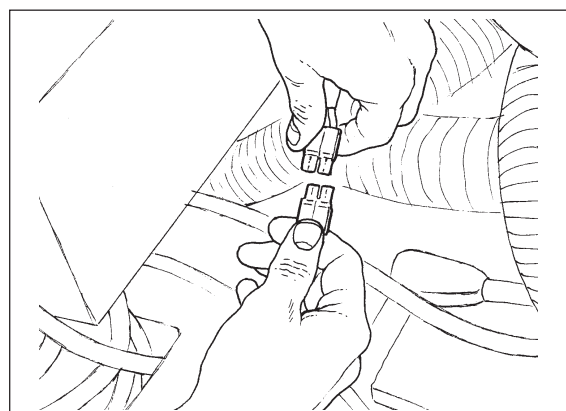


Figure 9

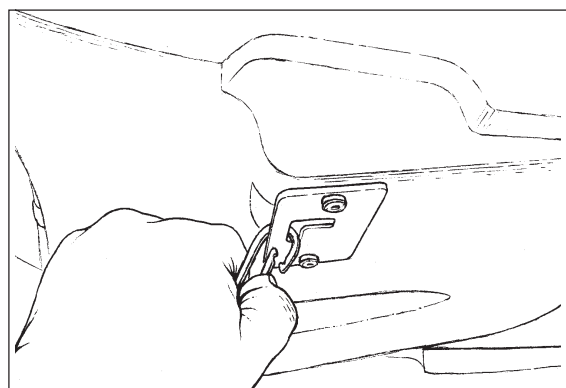


Figure 10

## How To Prepare the Machine For Operation

9. Place the batteries in the compartment shown in Figure 11.

**WARNING:** The batteries are heavy. Lifting batteries without help could result in an injury. Get help to lift the batteries.

**WARNING:** Working with batteries can be dangerous. Always wear eye protection and protective clothing when working near batteries. **NO SMOKING!**

10. Connect the cable between the batteries and install the long machine cables as indicated (See Figure 11).
11. Secure the batteries in place with the battery straps (See Figure 12).
12. Reinstall the recovery tank making sure the pivot pin in the recovery tank is installed under the metal plate on the solution tank (See figure 13A.)
13. Reattach the tether to the recovery tank (See figure 10).

**WARNING:** The recovery tank can fall off of the machine when opening the tank or operating the machine, if the recovery tank is not properly installed. Make sure that the recovery tank pivot pin is under the metal plate on the solution tank and the tether is attached to the recovery tank.

14. Reconnect the vacuum and squeegee hoses to the recovery lid. Make sure the hose to the vacuum motor and the rear squeegee hose are installed over the top of the drain hose (See figure 13B).
15. Reconnect the blue float connector (See figure 9, page 12).
16. Charge the batteries before using the machine.

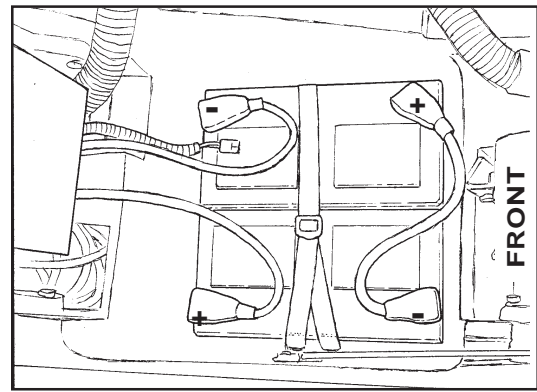


Figure 11

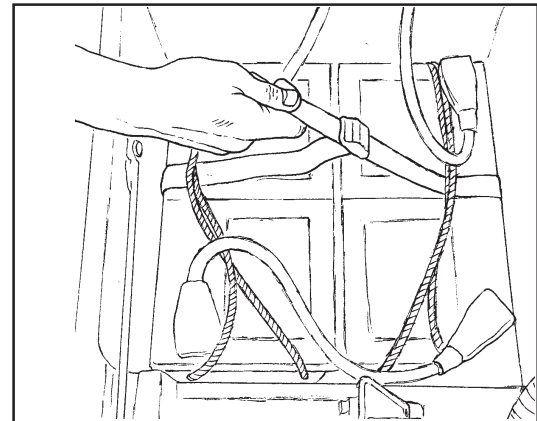


Figure 12

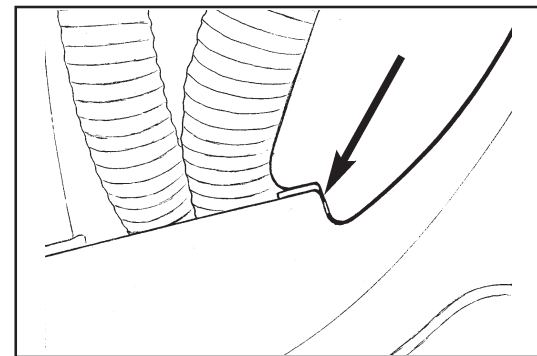


Figure 13A

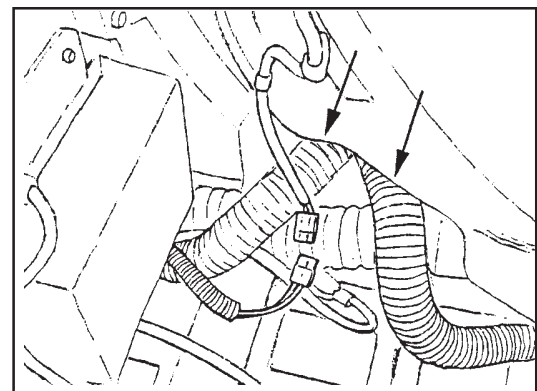


Figure 13B

## How To Prepare the Machine For Operation

### Battery Maintenance

The electrical power to operate the machine comes from the storage batteries. Storage batteries need preventative maintenance.

To maintain the batteries in good condition, follow these instructions.

1. Keep the electrolyte at the correct level. The correct level is between 1/4" (1/2 cm) below the bottom of the tube in each cell and above the tops of the plates. Check the level of the electrolyte each time you charge the batteries. See figure 14.

**NOTE:** Check the level of electrolyte prior to charging the batteries. Be sure the plates in each cell are covered with electrolyte before charging. Do not top off the cells prior to charging the battery. Electrolyte expands during charging. As a result, the electrolyte could overflow from the cells. Always top off the cells with distilled water after charging.

- ⚠ CAUTION:** Irreversible damage will occur to the batteries if electrolyte does not cover the plates. Keep the electrolyte at the correct level.
- ⚠ CAUTION:** Machine damage and discharge across the tops of the batteries can occur if the batteries are over filled. Do not fill the batteries up to the bottom of the tube in each cell. Wipe any acid from the machine or the tops of the batteries. Never add acid to a battery after installation.
- ⚠ CAUTION:** Batteries must be refilled with distilled water only. Do not use tap water as it may contain contaminants that will damage batteries.

2. Keep the tops of the batteries clean and dry. Keep the terminals and connectors clean. To clean the top of the batteries, use a damp cloth with a weak solution of ammonia or bicarbonate of soda solution. To clean the terminals and connectors, use a terminal and connector cleaning tool. Do not allow ammonia or bicarbonate of soda to get into batteries.
3. Keep the batteries charged.
4. To drain the battery compartment: See Figure 15.
  - a. Always wear eye protection and protective clothing.
  - b. Add a weak solution of ammonia or bicarbonate of soda solution to the battery compartment to neutralize any spilled acid.
  - c. Pull drain hose out from under the transaxle.
  - d. Place your hand behind flange and open the valve.
  - e. When empty, close valve.
  - f. Replace valve and drain hose on top of transaxle.
  - g. Neutralize any acid spills with ammonia or bicarbonate of soda.

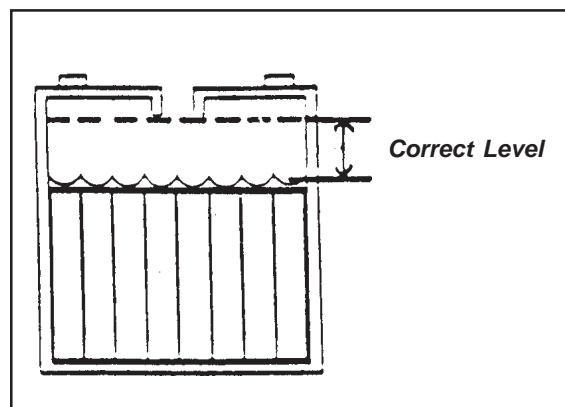


Figure 14

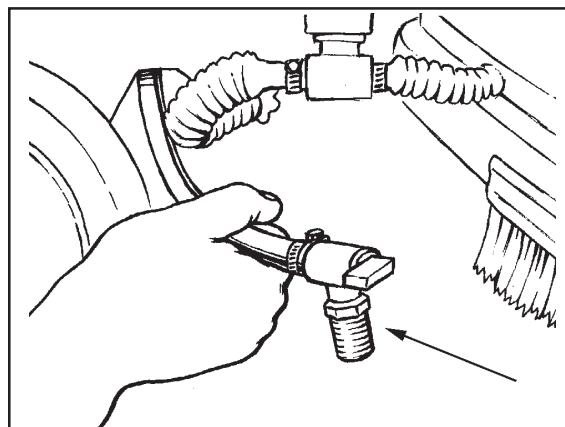


Figure 15



## How To Prepare the Machine For Operation

### How To Charge The Batteries

- ⚠ WARNING:** Charging the batteries in an area without adequate ventilation could result in an explosion. To prevent an explosion, charge the batteries only in an area with good ventilation.
- ⚠ WARNING:** Lead acid batteries generate gases which could explode. Keep sparks and flames away from batteries. **NO SMOKING!**

To charge the batteries, follow this procedure:

1. Place the machine on a flat-level surface with adequate ventilation.
2. Set the parking brake if one is provided.
3. Remove power to the control panel by pressing the red "OFF" button. If the machine is equipped with a key switch, turn the key counterclockwise to the "OFF" position.
4. Before charging the batteries, the battery compartment needs to be vented. To vent the compartment, the recovery tank needs to be propped open.

- ⚠ WARNING:** Before raising or removing the recovery tank, be sure tank is empty. Do not operate or perform maintenance on the machine while the recovery tank is in the open position. The tank can be accidentally bumped and it may slam shut.

5. The FOCUS 17/20 is equipped with an on-board charger located behind the recovery tank (See Figure 17). The charger is a 3-stage charger designed to maximize battery life. The AC power cord to the on-board charger is located in its storage compartment under the control handle at the rear of the machine (See Figure 16). Pull the cord out of the storage compartment.
6. Connect the charger to a properly grounded single phase (3-wire) wall receptacle. NOTE: When the charger is plugged into the wall receptacle, the yellow light will be illuminated on the control panel next to the plug symbol and the charger will begin charging (see figure 3, item A).

#### 3-Stage Charging Sequence:

- **Bulk Stage** - In the bulk stage of charging, the red light is illuminated on the charger (See Figure 17). During this stage the charger is supplying its full amp output to the batteries. It will continue to charge the batteries at this rate until the batteries reach approximately 75% of their capacity.

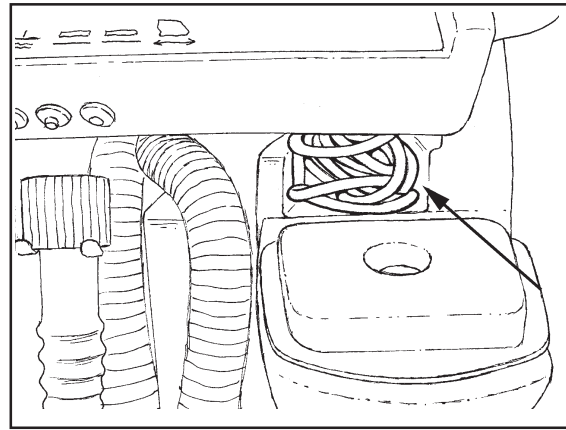


Figure 16

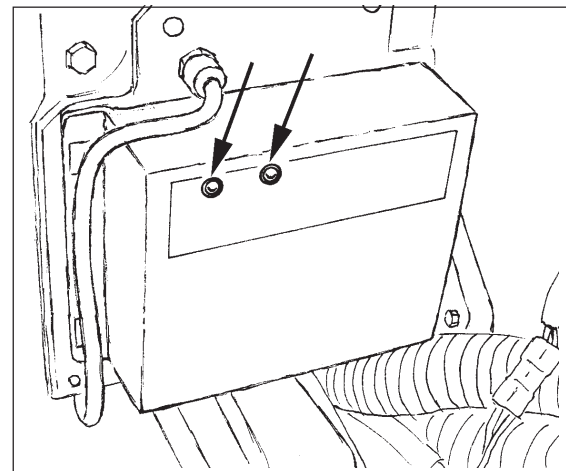


Figure 17



## How To Prepare the Machine For Operation

- **Absorption Stage** - In the absorption stage the red and green light will be illuminated on the charger (See Figure 17). During this stage the charger maintains constant voltage and lets the batteries absorb the charge at their own rate.
  - **Float and Maintenance Stage** - In the maintenance stage the red light turns off and only the green light will be illuminated on the charger (See Figure 17). During this stage the charger applies a lower, closely regulated voltage to maintain full charge and prevents discharge. Batteries can be connected indefinitely without harm.
8. Unplug charger power cord from the wall outlet before powering up control panel on machine. Store the charger power cord in the storage compartment located under the control handle (See Figure 16).
  9. Unlatch and stow prop rod back in solution tank and close recovery tank after charging has been completed.

**NOTE:** It is not necessary to remove the brush housing assembly when removing or installing the brush or pad driver. For greater access to the brush or when driving the machine up a ramp, the brush housing assembly can be removed. To remove brush housing assembly, pull outward on the spring loaded pin on the left side of the housing, then lift the brush housing assembly up and outward (See Figure 18). Reinstall the brush housing assembly in reverse order, making sure the cross bar in the brush housing is inserted into the two slots located in the motor mount and the spring loaded pin is locked into position (See Figure 19).

### **How To Install Rotary Brush or Pad Driver (if equipped)**

To install the brushes or pad drivers on the machine, follow this procedure:

1. Turn the key switch clockwise ("L" models only). Press the green "ON" button.
2. Raise the brush head by pressing and holding the brush up switch until brush head is in it's full up and rotated position (See Figure 20).
3. Press the red "OFF" button or turn the key switch counter-clockwise on machines equipped with key.
4. Put a brush or pad driver under the brush motor plate and align the lugs on the motor with the slots on the brush gimbal.
5. Push the brush up and rotate counter direction to scrub rotation, until lugs lock (See Figure 20).
6. Reinstall brush housing if removed.



**DANGER:** Operating a machine that is not completely or fully assembled could result in injury or property damage. Do not operate this machine unless it is completely assembled. Inspect the machine carefully before operation.

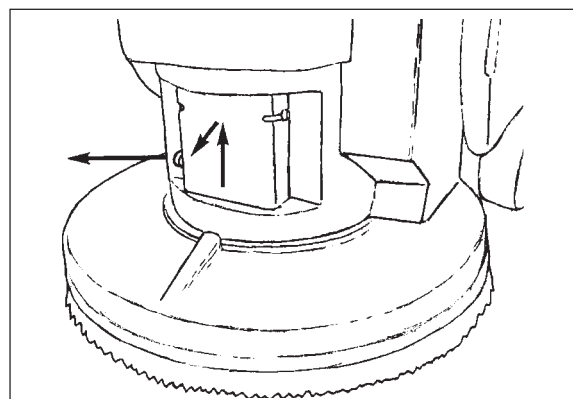


Figure 18

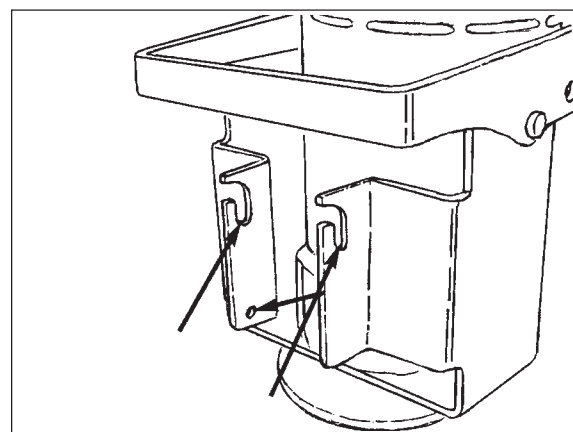


Figure 19

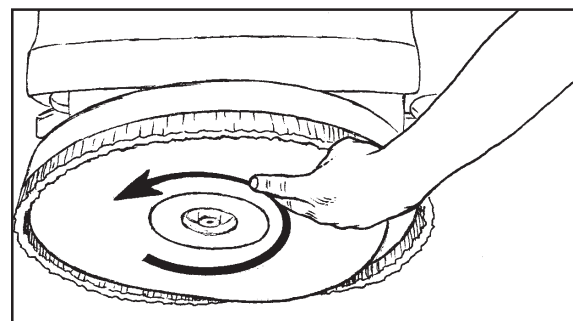


Figure 20

## How To Prepare the Machine For Operation

### How To Remove Rotary Brush or Pad Driver (if equipped)

To remove the brush or pad driver from the machine, follow this procedure:

1. Turn the key switch clockwise ("L" models only). Press the green "ON" button.
2. Raise the brush head by pressing and holding the brush up switch until brush head is in it's full up and rotated position.
3. Press the red "OFF" button or turn the key switch counterclockwise on machines equipped with key.
4. To remove brush, rotate brush in the same direction to scrub rotation with a quick snapping action until brush releases (See Figure 21).
5. Reinstall brush housing if removed.

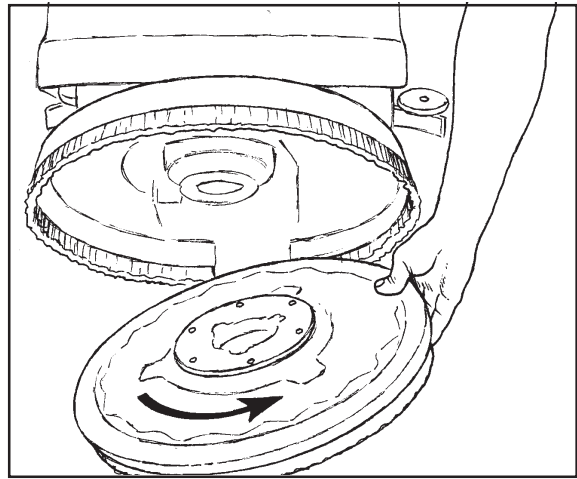


Figure 21

### How To Change Or Rotate Cylindrical Brushes (if equipped)

To install or rotate brushes on the machine, follow this procedure:

1. Turn the key switch clockwise ("L" models only). Press the green "ON" button.
2. Raise the brush head by pressing and holding the brush up switch until brush head is in it's full up and rotated position.
3. Press the red "OFF" button or turn the key switch counterclockwise on machines equipped with key.
4. Go to front of the machine and remove thumb screw from brush door (See Figure 22).
5. Lower door approximately 1/2 inch and slide door and bearing assembly off shaft (See Figure 23).
6. Remove brush spacer and brush by sliding off of brush shaft (See Figure 24).
7. Rotate brush or replace.
8. Slide brush on shaft and rotate slowly until drive pins are lined up with brush slots. Push brush all the way in.
9. Install brush spacer on shaft.
10. Slide brush door bearing assembly on shaft.
11. Raise door and install thumb screw.

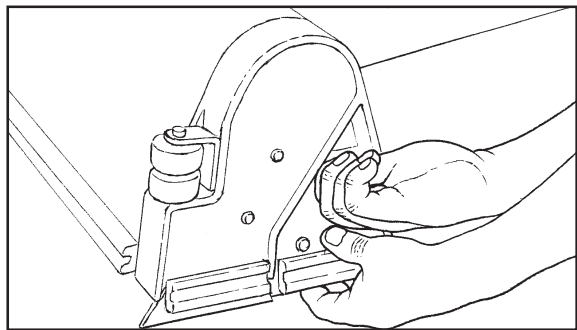


Figure 22

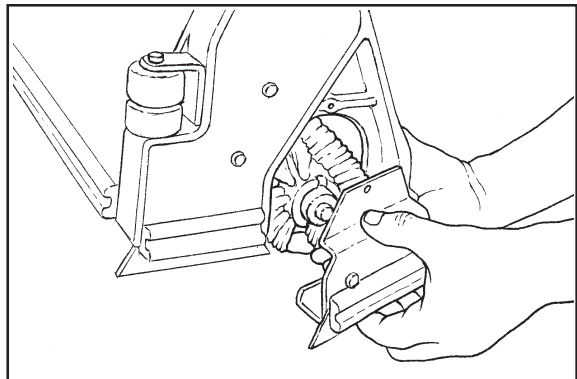


Figure 23

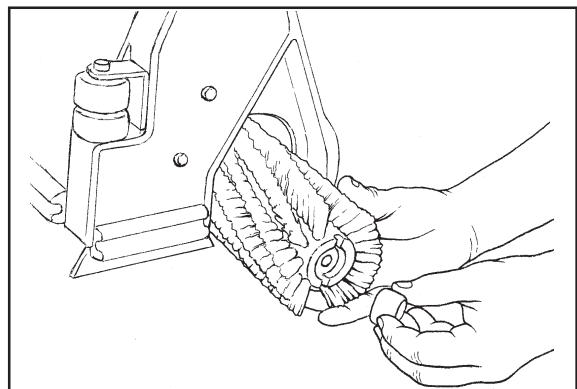


Figure 24

**⚠ DANGER:** Operating a machine that is not completely or fully assembled could result in injury or property damage. Do not operate this machine unless it is completely assembled. Inspect the machine carefully before operation.

## How To Operate The Machine

### How To Operate The Squeegee

The squeegee wipes the floor while the vacuum motor removes the dirty solution from the floor. Use your hand to lower or raise the squeegee handle. To operate the squeegee, follow this procedure:

1. To lower the squeegee and start the vacuum motor, move the squeegee lever to the right and down (See figure 25).
2. To raise the squeegee, lift the squeegee lever up (See figure 26.)

**NOTE:** The center position lets the vacuum motor continue to run with the squeegee off the floor to avoid drips and also allows you to back up the machine.

### How To Fill The Solution Tank

The solution tank is filled at the rear of the machine (See figure 27). To fill the solution tank follow this procedure:

1. Add a cleaning chemical to the solution tank. For the correct amount of chemical, follow the directions shown on the container.
2. Remove the solution lid and fill the solution tank with water.

**⚠ WARNING:** Water solutions or cleaning materials used with this type of machine can leave wet areas on the floor surface. These areas can cause a dangerous condition for the operator or other persons. Always put CAUTION signs near the area you are cleaning.

**⚠ WARNING:** Machines can ignite flammable materials and vapors. Do not use with or near flammables such as gasoline, grain dust, solvents and thinners. Use only a commercially available cleaners and concentrations intended for floor scrubbing applications.

**⚠ WARNING:** Clarke recommends a maximum water temperature of 120°F (49°C).

### Operating The Machine

**NOTE:** Put the machine in the lowest traverse speed setting. Use the machine in an area that has no furniture or objects until you can do the following:

1. Move the machine in a straight direction, forward and backward.
2. Stop the machine safely.
3. Turn the machine both left and right and return to a straight direction.

To move the machine, follow this procedure:

1. Release the parking brake (if equipped with machine).
2. Turn the key switch clockwise to the "ON" position (on "L" models only). Press the green "ON" button.
3. Raise the brush to the highest setting.
4. Raise the squeegee.

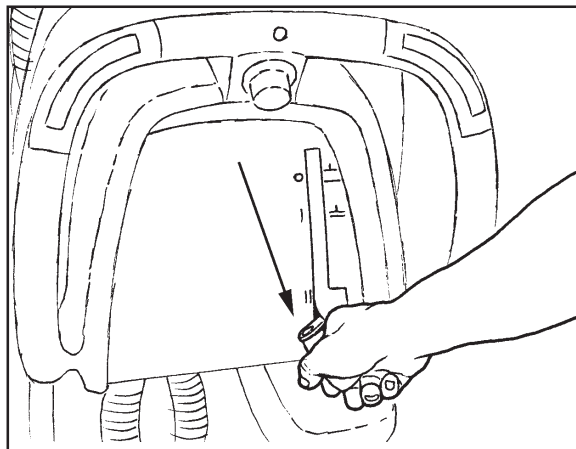


Figure 25

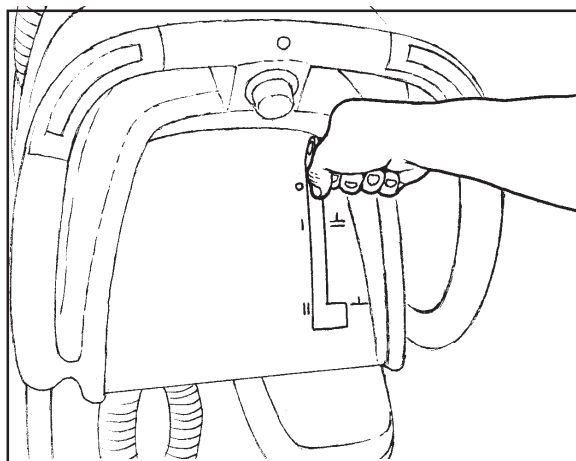


Figure 26

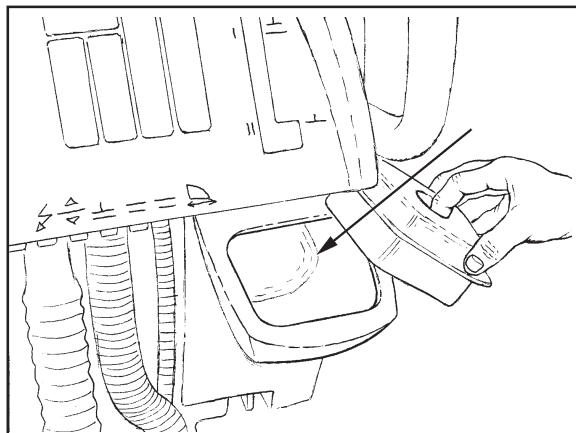


Figure 27

## How To Operate The Machine

5. When either the left or right forward/reverse switches (figure 28, item A) are pushed in, the machine will go forward ("L" models only).
6. Control the speed of traverse by using the traverse speed control knob ("L" models only) (figure 28, item C).
7. To stop, release the forward/reverse switch.
8. To reverse the machine, push in the white reverse switch (figure 28 item B) and either the right or left forward/reverse switch (figure 28 item A) at the same time ("L" models only).
9. To stop, release the forward/reverse switch.
10. To turn the machine, push the rear of the machine to the side.
11. When you stop the machine, press the red "OFF" button or turn the key switch counterclockwise to the "OFF" position ("L" models only). Remove the key and set the parking brake (if equipped).

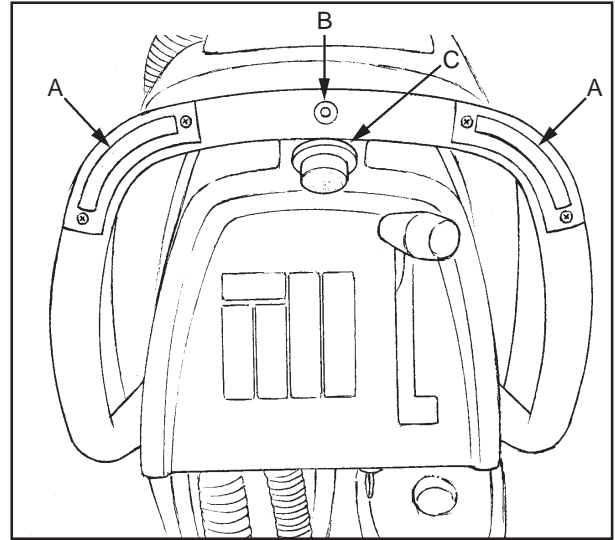


Figure 28

## How To Clean A Floor

**⚠ WARNING:** Water solutions or cleaning materials used with this type of machine can leave wet areas on the floor surfaces. These areas can cause a dangerous condition for the operator or other persons. Always put CAUTION signs near the area you are cleaning.

To clean a floor follow this procedure:

1. Set the parking brake (if equipped with machine.)
2. Put the water and a cleaning chemical in the clean solution tank.
3. Release the parking brake (if equipped with machine.)
4. Turn the key switch clockwise to the "ON" position ("L" models only). Press the green "ON" button.
5. Lower the squeegee.
6. Press the brush down button until yellow light is illuminated and the correct pressure is achieved.

**⚠ WARNING:** This machine is capable of maximum head pressure with worn pads or brushes. With this feature, there is the possibility of exceeding the recommended brush pressure on new pads or brushes. This will either create re-occurring circuit breaker tripping or the possibility of lost traction and control. The brush switch should be activated to accomplish only enough brush pressure for the job. This will allow longer battery life and cleaning time.

**NOTE:** Keep the machine moving when the brush is rotating on the floor. Pre-wet brush/pad or keep light pressure on brush until solution flow is adequate to keep brush/pad from scratching the floor.

## How To Operate The Machine

To pre-wet brushes you should first turn the speed knob to the lowest traverse setting on the "L" model. Then on both the "S" and "L" models, lower brushes until brushes are just touching the floor and the yellow light on the control panel is illuminated. Activate the forward/reverse switch to start motor and solution flow.

**NOTE:** On the "L" model, the machine will not move when the traverse speed knob is rotated fully counterclockwise.

7. Adjust the flow of clean solution to the flow desired.
8. Move the machine across the floor in the forward direction.
9. Make a 180° turn.

**NOTE:** When you make more passes across the floor, let the brush clean approximately 2 inches (5 cm) of the area already cleaned by the brush.

**NOTE:** During most cleaning procedures, apply and remove the solution in one operation.

### How To Clean A Very Dirty Floor

To clean a very dirty floor, follow this procedure:

1. Apply solution to the floor.
2. Do not lower the squeegee. This will keep the vacuum motor off.
3. Lower the brush or pad and scrub the floor.
4. Scrub the floor again with additional solution and lower the squeegee.
5. Pick up all the solution with the squeegee.

## Maintenance

- WARNING:** Maintenance and repairs must be done by authorized personnel only.
- WARNING:** Always empty the solution tank and recovery tank before doing any maintenance.
- WARNING:** Keep all fasteners tight.

### These Maintenance Procedures Must Be Done Every Day

Keep the machine clean, it will need fewer repairs and have longer life.

### Do These Procedures When You Begin Your Work Period

1. Disconnect AC power from battery charger (follow charger instructions).
2. Store AC power cord to charger in machine storage compartment (See Figure 29).
3. Make sure the screen filter is installed properly in the recovery lid and is clean (See figure 30).
4. Make sure the recovery tank lid is on correctly (See Figure 30).

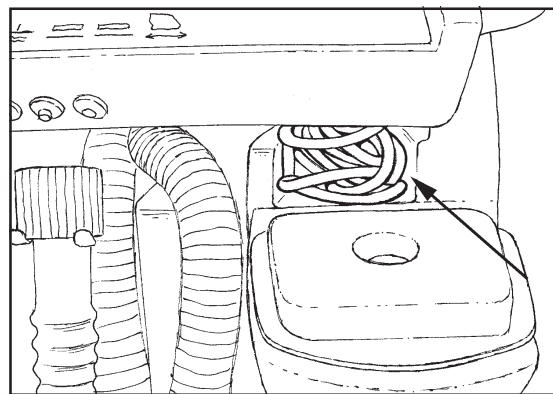


Figure 29

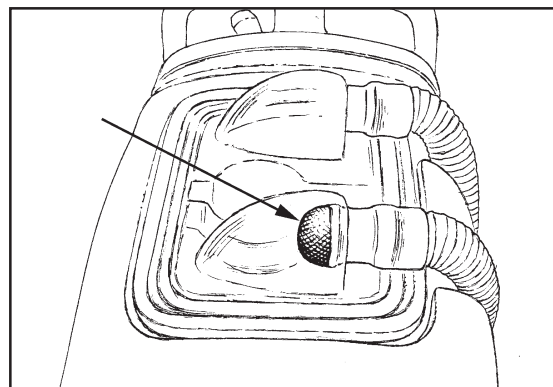


Figure 30

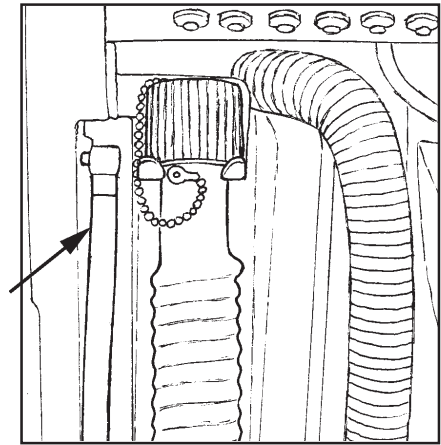


## Maintenance

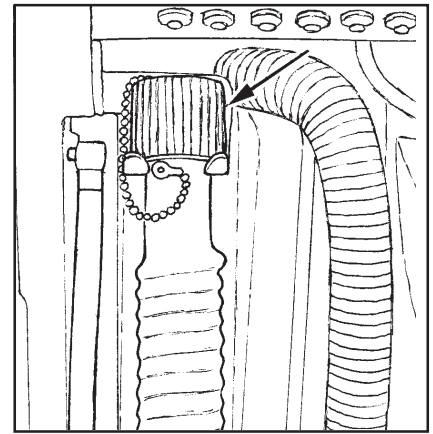
5. Make sure the valve on the recovery drain hose is clean. Tightly close the valve.
6. Make sure the brush/pad is in position and installed correctly.
7. Make sure brush housing and skirts are in position on the brush head.
8. Check the installation of the squeegee and squeegee hose.
9. Make sure the solution drain /level indicator hose is secure on the storage mount on the rear of the machine.

### **Do These Procedures When You End Your Work**

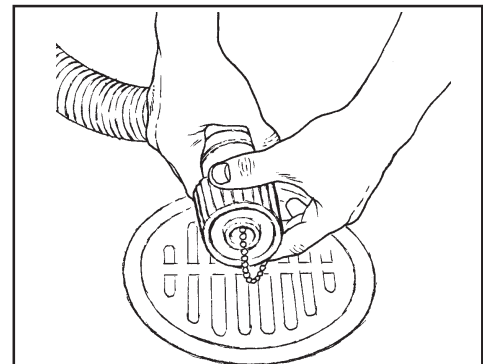
1. Drain the solution tank (Figure 31) and the recovery tank (Figure 32). To drain the tanks, follow this procedure:
  - a. Press the red "OFF" button or turn key switch counterclockwise to "OFF" position ("L" model only).
  - b. Remove the drain hose from the back of the machine.
  - c. Put the end of the hose over a drain or bucket.
  - d. *Recovery Tank:*
    - 1.) Turn the valve housing to the left (See Figure 33).
    - 2.) To open the valve completely, turn the housing fully to the left. Pull the housing off of the valve (Figure 34).
  - e. *Solution Tank:*  
When hose is lowered below water level, water will flow.
2. Flush the tanks. To flush the tanks, put clean water in the tank through the opening on top of the tank.
3. If a tank or drain hose has an obstruction, use a pressure water hose to flush the tank or hose. Put the water hose into the drain hose.
4. Leave the tanks and the recovery drain valve open to dry in the air.
5. Check the squeegee blade. Use a cloth to clean the squeegee blade. If the squeegee blade is damaged or worn, turn or replace the blade.
6. Check and clean the recovery lid gasket. Use a mild cleaning solution and rinse the parts in clean water.



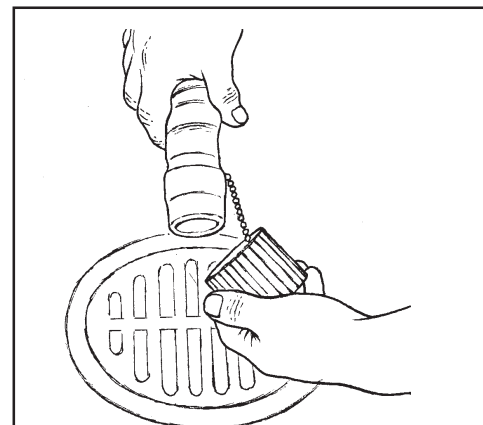
**Figure 31**



**Figure 32**



**Figure 33**



**Figure 34**

## Maintenance

7. On machines with cylindrical brush head, the debris tray needs to be emptied regularly to prevent overflow. To remove the debris tray from the machine follow this procedure (See Figure 35).
  - a. Go to the left side of the machine, to the rear of the cylindrical brush head.
  - b. Grab the end of the tray with the left hand and the center of the tray with the right hand.
  - c. Lift center of tray with right hand and slide tray out with left hand.
  - d. Empty tray and clean before sliding tray back in. Make sure upper and lower slides are engaged.

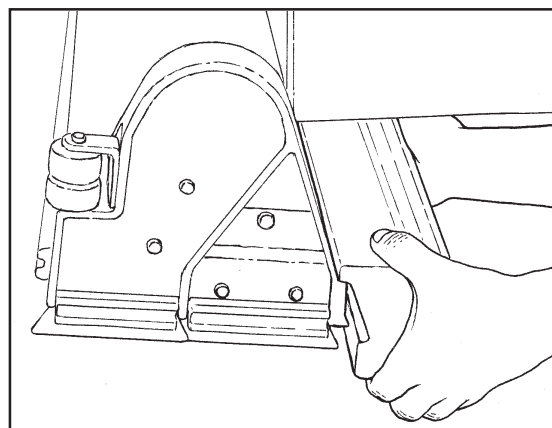


Figure 35

Check the batteries and if necessary add distilled water after charging. The correct level is within 1/4 inch (1/2 cm) of the bottom of the tube in each cell.

**CAUTION:** Tap water may contain contaminants that will damage batteries. Batteries must be refilled with **DISTILLED WATER ONLY**.

**WARNING:** Lead acid batteries generate gases which can cause an explosion. **NO SMOKING**. Always wear eye protection and protective clothing when working near batteries.

Use a clean cloth and wipe the surface of the machine.

Charge the batteries. See the instructions in the section of this book called "How To Charge The Batteries".

### Maintenance Procedures To Be Done Every Week:

**WARNING:** Maintenance and repairs must be done by authorized personnel only. Always empty the solution tank and the recovery tank before doing any maintenance. Keep all fasteners tight.

**WARNING:** Always wear eye protection and protective clothing when working near batteries. Do not put tools or other metal objects across the battery terminals or the tops of the batteries.

**CAUTION:** To prevent damage to the machine, and discharge across the tops of the batteries, do not fill the batteries above the bottom of the tube in each cell. Wipe any acid from the machine or the tops of the batteries. Do not add acid to battery after installation.



## Maintenance

**NOTE:** Always turn machine off before servicing machine.

**▲ WARNING:** Always wear eye protection and protective clothing when working near batteries. **NO SMOKING!**

**▲ WARNING:** Before raising or removing the recovery tank, be sure tank is empty. Do not operate or perform maintenance on the machine while the recovery tank is in the open position. The tank can be accidentally bumped and it may slam shut.

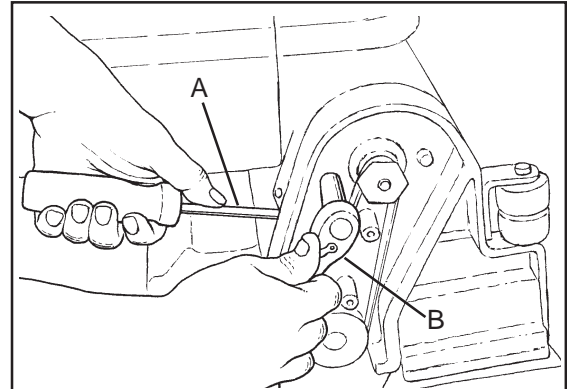


Figure 36

1. Disconnect the batteries. Use a cloth and a solution of ammonia or bicarbonate of soda to wipe the top of the batteries. Clean the battery terminals. Reconnect the batteries.
2. Check the hoses for leaks, obstructions and other damage.
3. On machines with cylindrical brush head, check the brush drive belts for proper tension. Belts must be tensioned properly to prevent slipping. To tighten the belts, follow this procedure:
  - a. Remove belt cover by removing screws.
  - b. Loosen the 2 screws on either side of the motor pulley.
  - c. Use a small pry bar or large screwdriver to pry the motor upward to achieve correct belt tension. Pry on the motor close to where the motor contacts the brush head casting (See Figure 36, A).
  - d. Hold tension and tighten 2 screws (See Figure 36, B).
  - e. Replace belt cover.

## Maintenance

### Maintenance For The Squeegee

To remove the squeegee, follow this procedure:

1. Remove the squeegee assembly by loosening the two knobs that attach the squeegee to the machine. Pull the squeegee assembly off (See figure 37).
2. Inspect the squeegee blade.
3. If the blade is worn, turn the blade so that a new edge is in the wiping position.
4. Reinstall squeegee assembly on the machine.

### How To Adjust The Squeegee

The following adjustments are set at the factory, however they may require slight adjustment.

#### Adjusting Squeegee Tilt:

The tilt of the squeegee causes the rear blade to raise up in the center or on the ends, depending on which direction the tilt is changed. For tilt adjustment, refer to figure 38. Loosen left and right screw "X". In order to bring the blades down in the center, tip "Y" down. To bring both ends down, tip "Y" up. Make very small adjustments and try it until a uniform flare is achieved.

#### Adjusting Squeegee Blades:

When properly installed the front blade should be approximately 0.06" (1.5mm) above the rear blade (See figure 39).

**⚠ WARNING: Maintenance and repairs must be done by authorized personnel only .**

**⚠ WARNING: Electrical repairs must be done by authorized personnel only.**

Consult your Clarke Authorized Service Person to do the service procedures.

Use only genuine Clarke parts.

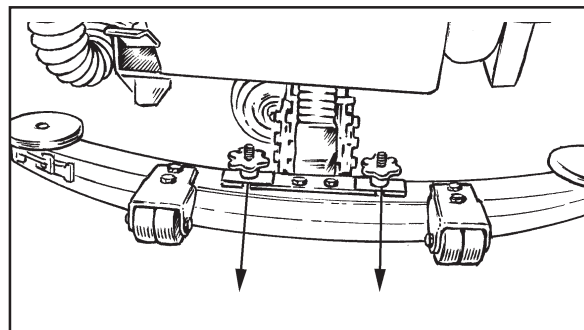


Figure 37

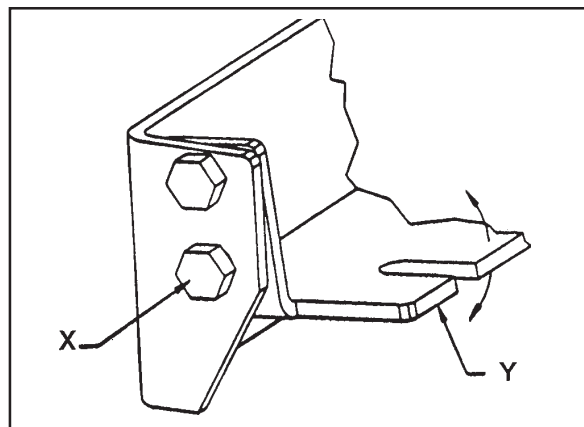


Figure 38

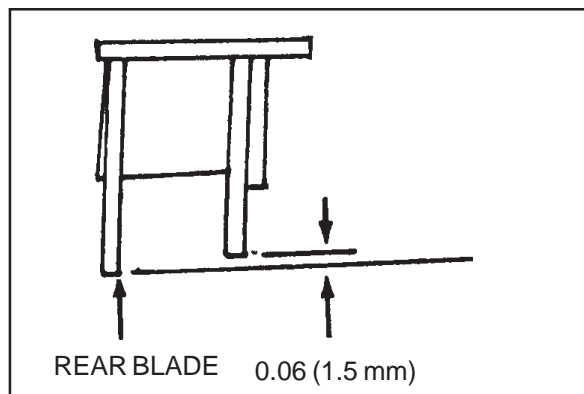


Figure 39

**Clarke  
FOCUS 17/20  
Accessories**

---

**ACCESSORIES**

<u>Description</u>	<u>Part No.</u>
Clarke Care Kit	14607A
29" Squeegee Assembly	18820A
32" Squeegee Assembly	10129A
Poly Dur Protectant	50478A
Hour Meter Kit	10656A
Key Switch Kit	10490A
Parking Brake Kit	10491A
Vacuum Muffler Kit	10492A
Power Wand Kit	10489A
Urethane Caster Assembly	61290A
Dual Direct Clutch Plate	30034A
Center Lock Pad Retainer	56941A
Squeegee Hose "S" Trap	30482A

**Rotary Disk Brushes and Pad Assemblies:**

<u>Description</u>	<u>17" Part No.</u>	<u>20" Part No.</u>
Pad Driver Asm.	10405A	30629A
Polypropylene	52539A	30630A
Nylon	52540A	30631A
Lite Grit	52543A	30632A
Clean Grit	52541A	30633A

**Cylindrical Brushes**

<u>Size</u>	<u>Description</u>	<u>Part No.</u>
4"	Polypropylene	30231A
4"	Nylon	30232A
4"	Clean Grit	30233A
4"	Super Grit	30234A

**29" Squeegee Blades**

<u>Description</u>	<u>Part No.</u>
Blade, Rear - Gum Rubber	30931A
Blade, Rear - Nitrile Solid	30938A
Blade, Front - Ribbed Urethane	30951A
Blade, Front - Notched Neoprene	30930A

**32" Squeegee Blades**

<u>Description</u>	<u>Part No.</u>
Blade, Rear - Gum Rubber	30067A
Blade, Rear - Nitrile Solid	30081A
Blade, Rear - Ribbed Orange	30085A
Blade, Front - Ribbed Natural	30066A
Blade, Front - Slit Grout	30079A
Blade, Front - Ribbed Orange	30083A

## HOW TO CORRECT PROBLEMS IN THE MACHINE

PROBLEM	CAUSE	ACTION
<b>There is no solution flow.</b>	<p>The solution tank is empty.</p> <p>There is an obstruction in the solution hose or filter.</p> <p>The solution valve or electric wiring is damaged.</p> <p>The control module is defective.</p>	<p>Fill the solution tank.</p> <p>Remove the obstruction from the hose or filter.</p> <p>Repair or replace the valve or the electric wiring.</p> <p>Replace control module</p>
<b>The solution flow does not stop.</b>	<p>The solution valve is open.</p> <p>The solution valve or wiring is damaged.</p> <p>The solution valve is dirty</p> <p>There is a damaged seat and washer in the solution valve.</p> <p>The control module is defective.</p>	<p>Close or Clean the solution valve.</p> <p>Repair or replace the valve and the wiring.</p> <p>Clean the solution valve.</p> <p>Replace the seat and washer.</p> <p>Replace control module.</p>
<b>The machine does not remove all the water from the floor.</b>	<p>The squeegee is up.</p> <p>The squeegee tilt is not correct.</p> <p>The recovery tank is full.</p> <p>The screen filter is dirty.</p> <p>There is an obstruction or damage in the squeegee or squeegee hose.</p> <p>The vacuum motor is not running.</p> <p>The squeegee hose is disconnected, or damaged</p> <p>The squeegee blade is damaged, worn, or incorrectly installed.</p> <p>The gaskets on the cover of the recovery tank are damaged.</p>	<p>Lower the squeegee.</p> <p>To adjust, see the section titled "How to Adjust the Squeegee".</p> <p>Drain the recovery tank.</p> <p>Clean the screen filter.</p> <p>Remove the obstruction or repair the damage.</p> <p>Check for tripped breaker. Have an authorized service person make repairs.</p> <p>Check and connect hose.</p> <p>Turn or replace the squeegee blade. Correctly install the squeegee blade.</p> <p>Replace the gaskets.</p>
<b>The batteries do not give the normal running time.</b>	<p>The battery terminals are dirty or damaged.</p> <p>The electrolyte level is too low.</p> <p>The batteries are not fully charged.</p> <p>The charger is damaged.</p> <p>The battery is defective.</p> <p>The batteries are disconnected.</p> <p>Brush is in heavy scrub setting.</p>	<p>Clean the terminals and connectors. Replace the damaged cables. Charge the batteries.</p> <p>Add distilled water to each cell and charge the batteries.</p> <p>Charge the batteries for a full 16 hour charge.</p> <p>Have an authorized service person repair the charger.</p> <p>Check voltage of each cell while discharging.</p> <p>Connect the batteries.</p> <p>Adjust Pressure.</p>

PROBLEM	CAUSE	ACTION
<p><b>The cleaning is not even.</b></p>	<p>The scrub brush or pad is worn.</p> <p>There is damage to the brush assembly, caster or the solution valve. The brush motor is not running</p> <p>The solution level is low.</p>	<p>Replace the scrub brush or pad.</p> <p>Have an authorized service person make the needed repairs.</p> <p>Check for tripped breaker. Reset. Check for loose connections.</p> <p>Fill the solution tank.</p> <p>NOTE: If the problem continues consult an authorized service person.</p>
<p><b>The machine does not run.</b></p>	<p>The machine loses power.</p> <p>Key or switch is off.</p> <p>Batteries are disconnected. Battery terminals are dirty.</p> <p>Batteries are discharged</p>	<p>Reset the circuit breaker.</p> <p>Turn key or switch on.</p> <p>Check the battery connections.</p> <p>Check battery meter and recharge NOTE: If the problem continues consult an authorized service person.</p>

## Índice

Instrucciones de seguridad para el operador .....	29
Introducción a la máquina .....	30
Especificaciones de la máquina .....	31
Transporte de la máquina .....	33
Símbolos empleados en la máquina .....	35
Panel de control de la máquina .....	36
Mandos y características de la máquina .....	37
Preparación de la máquina para trabajar .....	38
Colocación de las baterías .....	38
Mantenimiento de la batería .....	40
Procedimiento de carga de las baterías .....	41
Modo de instalación del accionamiento de disco o cepillo rotativo .....	42
Modo de remoción del accionamiento de disco o cepillo rotativo .....	43
Forma de cambiar o rotar los cepillos cilíndricos .....	43
Puesta en marcha de la máquina .....	44
Funcionamiento de la bayeta .....	44
Llenado del depósito de solución .....	44
Puesta en marcha de la máquina .....	44
Cómo limpiar un suleo muy sucio .....	45
Mantenimiento .....	46
Procedimientos antes de iniciar el trabajo .....	46
Procedimientos a realizar al acabar el trabajo .....	47
Procedimientos a realizar cada semana .....	48
Mantenimiento de la bayeta .....	50
Procedimiento de ajuste de la bayeta .....	50
Accesorios .....	51
Solución de los problemas de la máquina .....	52

### SECCIÓN II Libro de mantenimiento y lista de piezas

Final Assembly Drawing .....	82
Listado de piezas .....	83
Ensamblado del depósito de recuperación .....	84
Listado de piezas .....	85
Ensamblado del depósito de solución .....	86
Listado de piezas .....	87
Ensamblado del panel posterior .....	88
Listado de piezas .....	89
Ensamblado del panel de control .....	90
Listado de piezas .....	91
Ensamblado de la escobilla de goma .....	92
Listado de piezas .....	93
Ensamblado de la escobilla de goma .....	94
Listado de piezas .....	95
Ensamblado del eje del bastidor .....	96
Listado de piezas .....	97
Ensamblado del cabezal de los cepillos cilíndricos .....	98
Listado de piezas .....	99
Ensamblado del cabezal de los disco rotativo .....	100
Listado de piezas .....	101
Ensamblado de la caja de engranajes y listado de piezas .....	102
Ensamblado del motor de los cepillos y listado de piezas .....	103
Piezas de reparación del eje transversal .....	104
Focus S17/S20 Diagrama de conexiones .....	105
Focus S17/S20 Esquema del circuito eléctrico .....	106
Focus L17/L20 Diagrama de conexiones .....	107
Focus L17/L20 Esquema del circuito eléctrico .....	108

## LEA ESTE LIBRO






**CUIDADO:** Lea el libro de instrucciones antes de usar la máquina.










Este libro contiene información importante para el uso correcto y seguro de la máquina. Lea este libro completamente antes de arrancar la máquina o hacer cualquier operación de mantenimiento. Si no sigue las instrucciones, corre el peligro de herirse o causar lesiones al personal, o causar daños importantes a la máquina o en su entorno. Antes de usar la máquina, es indispensable recibir formación. Si el operador no puede leer este manual, aconsejamos que se le explique completamente antes de intentar utilizar la máquina.

Todas las indicaciones de dirección dadas en este libro están dadas desde la posición del operador en la parte detrás de la máquina.











Ud puede conseguir libros suplementarios dirigiéndose al distribuidor Clarke de su zona.

# INSTRUCCIONES DE SEGURIDAD PARA EL OPERADOR

-  **¡PELIGRO!:** Si no sigue las instrucciones que siguen a la palabra **PELIGRO**, se pueden causar lesiones graves, incluso mortales. Lea y siga todas las indicaciones de **PELIGRO** que se encuentran en este manual y en la máquina.
-  **¡AVISO!:** Si no sigue las indicaciones de **AVISO**, se pueden causar lesiones sea al operador sea a otro personal y/o daños materiales. Lea y siga todas las indicaciones de **AVISO** que se encuentran en este manual y en la máquina.
-  **¡CUIDADO!:** Si no sigue las instrucciones señaladas con la palabra **PRECAUCIÓN** se puede estropear la máquina o causar daños en su entorno. Lea y siga todas las indicaciones de **PRECAUCIÓN** que se encuentran en este manual y en la máquina.

-  **¡PELIGRO!:** Siempre lea este libro de instrucciones antes de arrancar la máquina o hacer un mantenimiento. A falta de esta precaución, corre el peligro de herirse o causar lesiones a colegas de trabajo; podría Ud. también causar daños a la máquina o a su lugar de trabajo. Se debe aprender el manejo de esta máquina antes de usarla. Si Usted (o su plantilla) no conoce el español, se ruega dejarse explicar todo el libro antes de usar la máquina.
-  **¡PELIGRO!:** Si intenta usar una máquina antes de que esté completamente montada, corre el peligro de herirse o causar daños materiales. No opere la máquina antes de que esté completamente montada. Compruebe cuidadosamente el estado de la máquina antes de cada utilización.
-  **¡PELIGRO!:** Riesgo de explosión y de incendio. No use nunca la máquina con o cerca de productos combustibles, polvo de granos, solventes, diluyentes u otros materiales inflamables. Esta máquina no es adecuada para recoger polvo de materiales peligrosos. Utilice sólo ceras para limpieza de suelos disponibles en los comercios apropiadas para el funcionamiento de la máquina.
-  **¡PELIGRO!:** Las baterías ácido/plomo generan gases que pueden originar una explosión. Procure que no haya ninguna llama ni chispa cerca de las baterías. **NO FUME** cerca de la máquina. Cargue las baterías sólo en un local perfectamente ventilado. Verifique que el enchufe del cargador de CA se encuentre desconectado del tomacorriente de pared y guardado antes de poner la máquina en funcionamiento.
-  **¡PELIGRO!:** ¡Trabajar con baterías puede ser peligroso! Cuando trabaja cerca de las baterías, siempre lleve gafas o ropas de protección. Quite su reloj y sus joyas. No introduzca ninguna herramienta ni otros objetos metálicos entre los bornes o sobre la tapa de las baterías.
-  **¡PELIGRO!:** Riesgo de electrocución si Ud. utiliza un cargador cuyo cable de alimentación está dañado. No use nunca un cargador cuyo cable de alimentación está dañado.
-  **¡AVISO!:** La única posición correcta para el operador es la posición de pie, detrás de la máquina. Cualquier otra posición de conducción puede causar lesiones o daños.
-  **¡AVISO!:** Esta máquina pesa. No intente transportarla o desplazarla sin la ayuda de otra persona. Se necesitan dos personas para desplazarla sobre una rampa de carga. Desplace siempre la máquina despacio. No gire la máquina sobre una rampa. No la utilice en superficies inclinadas con una pendiente superior a la indicada. Antes de transportar esta máquina, lea los "procedimientos de transporte" que se encuentran en este manual, ya que si no está firme, se podría volcar.
-  **¡AVISO!:** La máquina se puede volcar y causar lesiones o daños materiales si se coloca sobre una escalera o una rampa de carga. Pare y estacione la máquina sólo en una superficie nivelada. Al parar la máquina, compruebe que todos los mandos están en la posición "OFF". En los modelos L17 pulse el interruptor en "OFF" (APAGADO) y saque la llave.



-  **¡AVISO!** El mantenimiento y las reparaciones llevados a cabo por personal no autorizado pueden provocar daños o lesiones. El mantenimiento y las reparaciones deben ser realizadas únicamente por personal autorizado.
-  **¡AVISO!** Cualquier modificación o cambio realizado a la máquina puede causar averías o daños a la máquina o lesionar al operador u otras personas que se encuentren cerca. El fabricante anulará toda garantía y rechazará cualquier responsabilidad en caso de modificaciones y cambios no autorizados.
-  **¡AVISO!** El agua o la humedad pueden causar cortocircuitos en el sistema eléctrico. Procure que el sistema eléctrico esté siempre seco. Seque cuidadosamente la máquina después de cada utilización. Este equipo es exclusivamente para uso en seco y no se puede utilizar o almacenar en exteriores con humedad.
-  **¡AVISO!** Es indispensable leer todas las instrucciones escritas en la máquina antes de la primera utilización. Compruebe que todos los adhesivos y todas las instrucciones estén colocados en los sitios previstos. Su distribuidor Clarke podrá proporcionarle adhesivos o placas de recambio.
-  **¡AVISO!** Las superficies húmedas pueden ser resbaladizas. Las soluciones acuosas y los detergentes utilizados con este tipo de máquina pueden dejar zonas húmedas en el suelo, lo que supone un riesgo para el operador u otras personas. Coloque siempre paneles de aviso "Atención" en la zona donde se usa la máquina.
-  **¡AVISO!** Cuando evacua las aguas residuales, tiene que respetar el medio ambiente. El organismo de Protección del medio ambiente de los Estados Unidos ha establecido ciertas reglamentaciones con relación a la eliminación de aguas residuales. Sírvase cumplir con la legislación vigente en su municipio, departamento o región. Infórmese sobre las disposiciones a este respecto y respételas. No puede ignorar nunca los peligros de polución causados por el desagüe de los productos químicos.
-  **¡AVISO!** Utilice únicamente los cepillos suministrados con el equipo o los que se especifican en el Libro de instrucciones. El empleo de otro tipo de cepillos podría comprometer la seguridad.
-  **¡CUIDADO!** No use la máquina como taburete o escabel. No la use como medio de transporte o mueble. Corre el peligro de causar lesiones o daños materiales
-  **¡CUIDADO!** Se anulará la garantía de la máquina si se utilizan piezas que no son piezas originales Clarke. Sólo use recambios Clarke.
-  **¡CUIDADO!** Esta máquina contiene baterías de ácido de plomo. Deshágase de ellas de manera segura para el medio ambiente.

## Introducción y características técnicas

### Introducción y características técnicas

Las autolavadoras de pisos Focus S17/S20 y L17/L20 de Clarke son eficientes y de calidad superior. El artefacto Focus usa un cepillo (rotativo) para lavar un ancho de piso de 17 pulgadas y 20 pulgadas o 2 cepillos (cilíndricos) para lavar un ancho de piso de 17 pulgadas. La escobilla de goma seca el piso mientras el motor de aspiración absorbe la solución sucia del piso - todo en una sola pasada.

El modelo Focus S17/S20 y L17/L20 rotativo es provisto completo con dos baterías de 12 voltios, un cargador de batería, accionamiento ya sea para cepillo o disco y el manual del operador.

El modelo Focus L17 cilíndrico es provisto completo con dos baterías de 12 voltios, un cargador de batería, dos cepillos y el manual del operador.

Modelo	Focus S17 rotativo	Focus L17 rotativo
Alimentación de la máquina	Alimentación de 24 Voltios C.C., (2) baterías de 12v 130AH húmedas o (2) baterías de 12V 100AH de descarga profunda, de gel	Alimentación de 24 Voltios (2) baterías de 12V 130AH húmedas o (2) baterías de 12V 100AH de descarga profunda, de gel
Disco o cepillo	Accionamiento tipo tres lengüetas	Accionamiento tipo tres lengüetas
Marcha	Cepillo asistido	1/3 HP (0.25 kW)
Velocidad marcha adelante	No aplicable	Variable a 200 pies/min (61 m/min)
Velocidad marcha atrás	No aplicable	Variable a 140 pies./min. (43 m/min)
Protección batería	Cierre eléctrico de cepillos y solución por bajo voltaje	
Motor de aspiración	Acústica, alta eficiencia, tangencial 3/4 HP(0,56 kW) 3 etapas	
Depósito de solución	11 Galones (42 litros)	
Nivel de solución	Indicador de nivel calibrado	
Depósito de recuperación	11 Galones (42 litros)	
Indicador de recuperación completa	Desactivación eléctrica	
Bayeta parabólica	Tipo swing con dispositivo de seguridad, función sin funcionamiento de la herramienta, ancho dureza 32 pulgadas (81 cm) con 34 pulgadas (86 cm) de cuchilla flexible.	
Funcionamiento bayeta	Sentido inverso sobre suelo y palanca con 3 posiciones de funcionamiento.	
Amplitud de limpieza	17" (43.2 cm)	
Motor, cepillo	3/4 HP (0,56 kW) 5.2:1 Caja de engranajes de alto torque	
Tamaño cepillo/disco	17" (43.2 cm)	
Velocidad cepillo	200 RPM	
Presión cepillo	0-90 libras (0-40.8 kg)	
Retención solución cepillo	Cerdas de fibra	
Ruedas motrices	Rodadura de neopreno (2) 8 pulg. x 2 pulg. (20 cm x 5 cm)	
Articulación	3½" X 1¼" (8.9 cm x 3.2 cm)	
Cargador incorporado a la máquina	24 V C.C., 10 Amp, 115/60 o 24 V C.C., 10 Amp, 230/50	
Grado de limpieza	2%	
Longitud	48 ¾" (123.8 cm)	
Anchura	19" (48.3 cm)	
Altura	42" (106.7 cm)	
Peso con baterías (130AH)	327 libras (148.3 kg)	345 libras (156.5 kg)
Peso de embarque con baterías (130AH)	454 libras (206 kg)	472 libras (214 kg)
Línea de visión (Altura del operador =5'8")	7.5 pies (2.3 m)	
Garantía de funcionamiento	Máquina 3 años, tanques de Polydur 8 Años, Baterías 18 meses en forma prorrateada	

Modelo	Encore L17 Cilíndrico
Alimentación de la máquina	24 Voltios C.C., (2) baterías de 12V 130AH húmedas o (2) baterías de 12V 100AH de descarga profunda, de gel
Marcha	1/3 HP (0.25 kW)
Velocidad marcha adelante	Variable a 200 pies/min (61 m/min)
Velocidad marcha atrás	Variable a 140 pies/min. (43 m/min)
Protección batería	Cierre eléctrico de cepillos y solución por bajo voltaje
Motor de aspiración	Acústica, alta eficiencia, tangencial 3/4 HP(0,56 kW) 3 etapas
Depósito de solución	11 Galones (42 litros)
Nivel de solución	Indicador de nivel calibrado
Depósito de recuperación	11 Galones (42 litros)
Indicador de recuperación completa	Desactivación eléctrica
Bayeta parabólica	Tipo swing con dispositivo de seguridad, función sin funcionamiento de la herramienta, ancho dureza 32 pulgadas (81 cm) con 34 pulgadas (86 cm) de cuchilla flexible.
Funcionamiento bayeta	Sentido inverso sobre suelo y palanca con 3 posiciones de funcionamiento.
Amplitud de limpieza	17" (43.2 cm)
Motor, cepillo	(2) 3/4 HP (0,56 kW)
Tamaño cepillo/disco	(2) 4" (10 cm)
Velocidad cepillo	1000RPM
Presión cepillo	70 libras (31.8 kg)
Ruedas motrices	Rodadura de neopreno (2) 8 pulg. x 2 pulg. (20 cm x 5 cm)
Cargador	3½" X 1¼" (8.9 cm x 3.2 cm)
Cargador incorporado	24 V C.C., 10 Amp, 115/60 o 24 V C.C., 10 Amp, 230/50
Grado de limpieza	2%
Longitud	48 ¼" (122.6 cm)
Anchura	20" (50.8 cm)
Altura	42" (106.7 cm)
Peso con baterías (130 AH)	360 libras (163.3 kg)
Peso de embarque con baterías (130AH)	487 libras (221 kg)
Línea de visión - Altura del operador = 5'8"	7.5 pies (2.3 m)
Warranty	Máquina 3 años, tanques de Polydur 8 Años, Baterías 18 meses en forma prorrateada

<b>Modelo</b>	<b>Focus S20 rotativo</b>	<b>Focus L20 rotativo</b>
Alimentación de la máquina	Alimentación de 24 Voltios C.C., (2) baterías de 12v 130AH húmedas o (2) baterías de 12V 100AH de descarga profunda, de gel	Alimentación de 24 Voltios (2) baterías de 12V 130AH húmedas o (2) baterías de 12V 100AH de descarga profunda, de gel
Disco o cepillo	Accionamiento tipo tres lengüetas	Accionamiento tipo tres lengüetas
Marcha	Cepillo asistido	1/3 HP (0.25 kW)
Velocidad marcha adelante	No aplicable	Variable a 200 pies/min (61 m/min)
Velocidad marcha atrás	No aplicable	Variable a 140 pies./min. (43 m/min)
Protección batería	Cierre eléctrico de cepillos y solución por bajo voltaje	
Motor de aspiración	Acústica, alta eficiencia, tangencial 3/4 HP(0,56 kW) 3 etapas	
Depósito de solución	11 Galones (42 litros)	
Nivel de solución	Indicador de nivel calibrado	
Depósito de recuperación	11 Galones (42 litros)	
Indicador de recuperación completa	Desactivación eléctrica	
Bayeta parabólica	Tipo swing con dispositivo de seguridad, función sin funcionamiento de la herramienta, ancho dureza 32 pulgadas (81 cm) con 34 pulgadas (86 cm) de cuchilla flexible.	
Funcionamiento bayeta	Sentido inverso sobre suelo y palanca con 3 posiciones de funcionamiento.	
Amplitud de limpieza	20" (50.8 cm)	
Motor, cepillo	3/4 HP (0,56 kW) 5.2:1 Caja de engranajes de alto torque	
Tamaño cepillo/disco	20" (50.8 cm)	
Velocidad cepillo	200 RPM	
Presión cepillo	0-90 libras (0-40.8 kg)	
Retención solución cepillo	Cerdas de fibra	
Ruedas motrices	Rodadura de neopreno (2) 8 pulg. x 2 pulg. (20 cm x 5 cm)	
Articulación	3½" X 1¼" (8.9 cm x 3.2 cm)	
Cargador incorporado a la máquina	24 V C.C., 10 Amp, 115/60 o 24 V C.C., 10 Amp, 230/50	
Grado de limpieza	2%	
Longitud	48 ¾" (123.8 cm)	
Anchura	19" (48.3 cm)	
Altura	42" (106.7 cm)	
Peso con baterías (130AH)	327 libras (148.3 kg)	345 libras (156.5 kg)
Peso de embarque con baterías (130AH)	454 libras (206 kg)	472 libras (214 kg)
Línea de visión (Altura del operador =5'8")	7.5 pies (2.3 m)	
Garantía de funcionamiento	Máquina 3 años, tanques de Polydur 8 Años, Baterías 18 meses en forma prorrateada	

## TRANSPORTE DE LA MÁQUINA

### Cómo colocar la máquina en un camión o una camioneta

**⚠ ¡AVISO!** Esta máquina pesa. No intente transportarla o desplazarla sin la ayuda de otra persona. Se necesitan dos personas para desplazarla sobre una rampa de carga. Siempre desplace la máquina despacio. No gire la máquina sobre una rampa. No deje nunca la máquina parada sobre un plano inclinado. Antes de transportar la máquina, lea las INSTRUCCIONES PARA EL TRANSPORTE que se encuentran en el manual.

**⚠ ¡AVISO!** La máquina puede volcar si está en posición inestable sobre una escalera o una rampa de carga y causar lesiones o daños materiales. Pare y estacione la máquina sólo en una superficie nivelada. Al parar la máquina, compruebe que todos los mandos están en la posición "OFF".

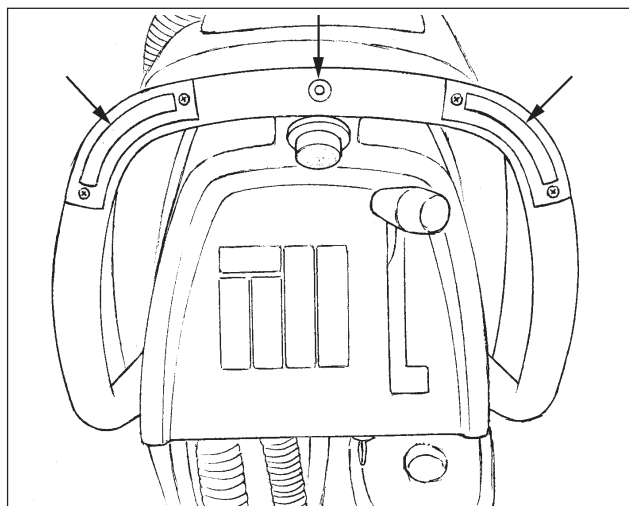


Figura #1

1. Compruebe que la rampa de carga tiene por lo menos 2,5m (8 pies) de largo y 81 cm (32 pulgadas) de ancho y que es suficientemente resistente al peso de la máquina.
2. Compruebe que la rampa está seca y limpia.
3. Coloque la rampa.
4. Quite el conjunto de la bayeta, la placa de protección del cepillo y el cepillo o el portadisco antes de la carga. Clarke recomienda vaciar tanto el depósito de solución como el de recuperación antes de la carga.
5. Únicamente en los modelos L17/L20, gire el interruptor de encendido "ON" y pulse el botón de encendido "ON".
6. Coloque la máquina sobre una superficie nivelada, aproximadamente a 2 m (5 pies) de la rampa y frente a ella.
7. Coloque la perilla de tracción a toda velocidad (sólo en los modelos L17/L20).
8. Para la máquinas L17/L20, presione cualquiera de los interruptores de marcha adelante/marcha atrás mientras pulsa el interruptor blanco de marcha atrás. Suba la máquina por la rampa hacia atrás. Refiérase a la figura 1.
9. Para los modelos S17/S20: guíe la máquina en la rampa en marcha atrás.
10. Coloque la máquina en "OFF" (apagado), y en los modelos L17/L20, gire el interruptor "OFF".

## TRANSPORTE DE LA MÁQUINA

11. **Estibe la máquina en el vehículo.** Clarke recomienda poner una correa alrededor de la parte superior de la máquina y otra para impedir que la máquina se resbale hacia adelante o hacia atrás. En caso contrario, la máquina podría volcar. Se suministran tres puntos de sujeción sobre el bastidor de acero de la máquina, para ajustar la misma (refiérase a la figura 2a)

### Cómo descargar la máquina de un camión o una camioneta

1. Despeje la zona de descarga de obstáculos.
2. Compruebe que la rampa tiene por lo menos 2,50 m (8 pies) de largo y 81 cm (32 pulgadas) de ancho y que es suficientemente resistente al peso de la máquina.
3. Compruebe que la rampa está seca y limpia.
4. Coloque la rampa.
5. Quite las sujeciones de la máquina al vehículo.

**¡AVISO!** : La máquina pesa. Se necesitan dos personas para manejarla sobre una rampa de carga.

6. Para los modelos S17/S20: se necesitan dos personas para mover la máquina sobre la rampa. Le aconsejamos descargar la máquina modelo "S" en marcha adelante.
7. Únicamente en los modelos L17/L20, gire el interruptor "ON" y presione el botón verde "ON".
8. Ponga el botón central de mando de la velocidad en el reglaje mínimo. Mueva la máquina despacio y con precaución hacia la cumbre de la rampa y empiece a bajar (Únicamente modelos L17/L20).
9. La máquina avanza si Ud. pulsa sea el interruptor derecho, sea el interruptor izquierdo (adelante/atrás) (Únicamente modelos L17/L20). Véase figura 2.
10. Cuando la máquina empieza a bajar la rampa, presione el interruptor "marcha adelante" o "marcha atrás" de manera a mantener una velocidad lenta (Únicamente modelos L17/L20).
11. Después de la descarga, coloque de nuevo el conjunto de la bayeta, la placa de protección del cepillo y el cepillo o el portadisco. Ahora se puede usar la máquina.

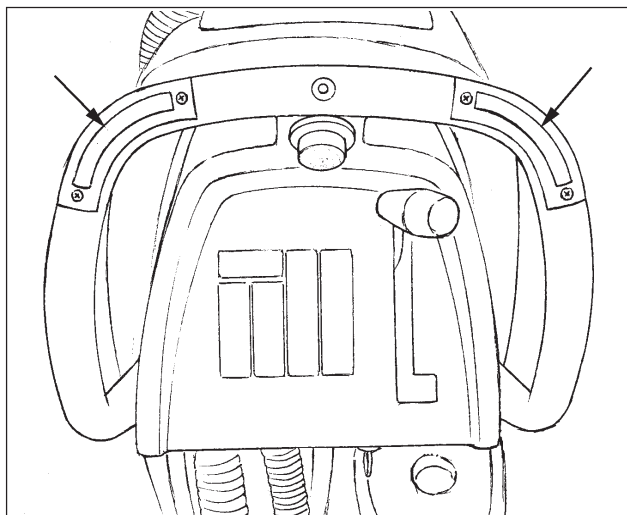


Figura #2

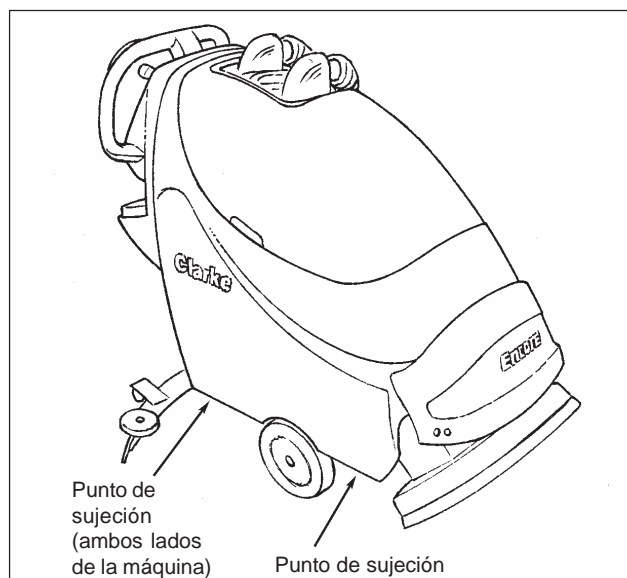
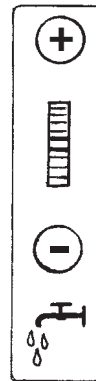


Figura #2a

SÍMBOLOS UTILIZADOS EN FOCUS S17/S20 y L17/L20



Aviso



Control de la solución



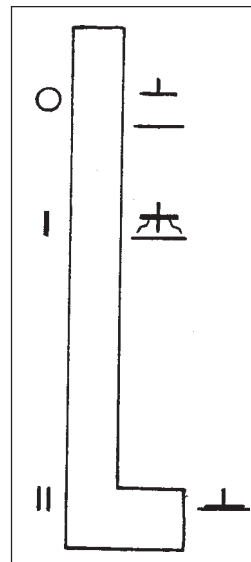
Alimentación



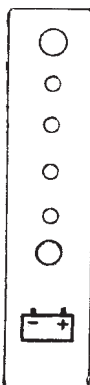
Cepillo arriba/abajo



Control de la velocidad de marcha ("Clase L")



Control de la escobilla de goma/aspiración



Medidor de baterías



Indicador de CA



## MANDOS

### Indicador de energía eléctrica (figura 3, Ítem "A")

Cuando se conecta el cargador a un tomacorriente eléctrico de CA se enciende una luz amarilla. El cable eléctrico se debe desenchufar y guardar antes de poner la máquina en funcionamiento.

### Interruptor de llave (figura 3, Ítem "B")

El interruptor de llave es estándar en los modelos "L". Se lo usa principalmente para evitar el uso no autorizado de la máquina, para lo cual se quita la llave. Para encender el panel de control, se debe hacer girar el interruptor de llave en sentido horario y luego se debe pulsar el botón verde "ON" (refiérase al ítem "C"). Para apagar el panel de control, gire el interruptor de llave en sentido anti-horario.

### Botones ON/OFF (figura 3, Ítem "C")

Al pulsar el botón verde se enciende el panel de control (si la máquina está equipada con un interruptor de llave, primero gire la llave en el sentido horario). Al pulsar el botón rojo se apaga el panel de control (si la máquina está equipada con un interruptor de llave, también se puede desactivar la energía girando la llave en el sentido anti-horario).

NOTA: La máquina modelo "L" está equipada con un dispositivo de auto-diagnóstico y a veces deja de funcionar si se detecta una falla. Una vez corregida la falla, la máquina puede ser reiniciada girando el interruptor de energía a la posición "OFF" (APAGADO) y luego nuevamente a la posición "ON" (ENCENDIDO). Si el problema no se soluciona de este modo, consulte inmediatamente al personal de servicio autorizado.

NOTA: Esta máquina está equipada con un dispositivo de ahorro de energía. Si la máquina permanece inactiva durante más de 16 minutos, se apaga automáticamente. "OFF".

### Medidor de baterías (figura 3, Ítem "D")

El medidor de batería indica la carga relativa del conjunto de baterías. El medidor tiene dos luces verdes, una amarilla y una roja. Cuando la luz pasa a "rojo", se detiene el/los cepillo/s y el flujo de solución. Todas las demás funciones continúan en actividad. Entonces se debe proceder a recargar las baterías en forma inmediata para evitar que se reduzca la duración del conjunto de baterías.

### Empuñaduras de mando (figura 3 "E")

Las empuñaduras de mando se encuentran en la parte trasera de la máquina. Permiten dirigir la máquina.

### Selector de la velocidad de tracción (figura 3 "F")

Para aumentar la velocidad, gire el botón en el sentido horario. La máquina no se mueve cuando la perilla se encuentra totalmente girada en sentido anti-horario.

### Interruptor marcha adelante/marcha atrás (figura 3, Ítem "G")

**Sólo en los modelos autoarrastrados "L"** - El interruptor de marcha adelante/marcha atrás arranca el motor de tracción hacia adelante y cuando el cabezal del cepillo se encuentra en posición baja o en posición de limpieza, también activa el/los motor/es eléctrico/s de los cepillos y el flujo de la solución. El/los motor/es de los cepillos demora/n dos segundos en detenerse una vez liberado el interruptor. Se puede utilizar el interruptor derecho o el izquierdo. Use cualquiera de los interruptores junto con el interruptor blanco de marcha atrás para dar marcha atrás al motor de tracción. **Modelo "S"** - En los modelos no-autoarrastrados estos interruptores activan el/los motor/es de los cepillos y el flujo de la solución cuando el cabezal de los cepillos se encuentra en posición baja o de limpieza.

### Interruptor de marcha atrás (figura 3, H)

#### Sólo para el modo L autoarrastrado

Cuando utilice simultáneamente el interruptor de marcha atrás y uno de los interruptores de tracción, puede echar la máquina hacia atrás. La velocidad en marcha atrás corresponde a 70% de la velocidad en marcha adelante.

### Botones del motor de los cepillos (figura 3, Ítem "I")

Para bajar el cabezal de los cepillos y activar el/los motor/es de los cepillos y el flujo de la solución, pulse y mantenga presionado el botón de posición baja hasta que se encienda la luz verde. Siga pulsando el botón y manténgalo presionado para lograr presión adicional del cepillo, o hasta que se detenga el cabezal del cepillo. El/los motor/es de los cepillos y la solución entonces funcionarán cuando se encuentre presionado uno o ambos botones de marcha adelante/marcha atrás. Para desactivar el/los motor/es de los cepillos y del flujo de la solución, levante el cabezal de los cepillos presionando y manteniendo el botón de posición alta hasta que se apague el indicador luminoso de color verde.

### Botones para el control de la solución (figura 3, Ítem "J")

Los botones para el control de la solución regulan el flujo de solución química que se vierte en el piso. Cuando se enciende la máquina, la configuración de la solución se ajusta automáticamente en intermedia (consulte a su agente de reparaciones autorizado por Clarke en caso de preferir una configuración diferente). Para aumentar el flujo, pulse y mantenga o presione el botón superior (+) varias veces. La barra verde subirá en la escala a medida que aumenta el flujo.

Para reducir el flujo, pulse y mantenga o presione el botón inferior (-) varias veces. La barra verde descenderá en la escala a medida que baje el flujo. Cuando la barra alcance la configuración más baja, se desactivará el flujo de solución.

**NOTA: La solución sólo fluirá si el cabezal de los cepillos está en posición baja y de operación.**

### Interruptor del motor de aspiración figura 3, Ítem "K")

Para activar el motor de aspiración, baje la palanca de la escobilla de goma. La palanca tiene tres posiciones. La posición más baja es la posición operativa para recoger el agua. La posición central se usa durante el transporte para liberar la manguera de aspiración. La posición superior indica que el motor de aspiración está desactivado ("OFF").

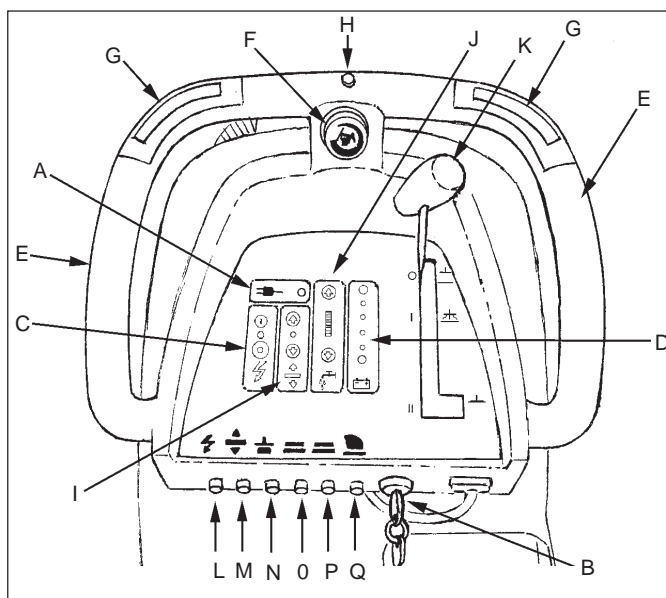


Figura 3



## MANDOS

### **Interruptores automáticos (Figura 3, Ítems "L", "M", "N", "O", "P" & "Q")**

Los botones de reactivación de los interruptores automáticos se encuentran ubicados sobre la palanca de control inferior. La ubicación de los interruptores es la siguiente:

Ítem "L" - Circuitos de control (5 amps)

Ítem "M" - Módulo de control y actuador del cabezal (5 amps)

Ítem "N" - Motor de aspiración (25 amps)

Ítem "O" - Motor del cepillo giratorio (40 amps) o

Motor de cepillo cilíndrico (25 amps)

Ítem "P" - Motor de cepillo cilíndrico (25 amps)

Ítem "Q" - Motor de tracción (25 amps) (sólo L17)

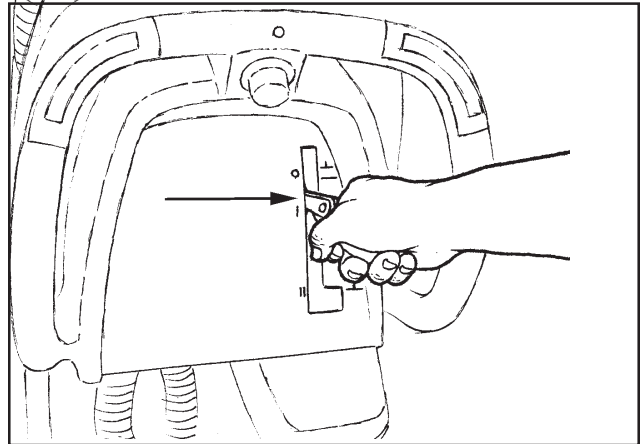


Figura 4

## MANDOS Y CARACTERÍSTICAS DE LA MÁQUINA

### **Palanca elevadora de la bayeta (figuras 4 y 5)**

La palanca de elevación de la escobilla de goma está ubicada en la palanca de control. Se la utiliza para levantar o bajar la escobilla de goma. El motor de aspiración se enciende cuando se baja la palanca hacia el centro o la posición inferior.

### **Flotador de aspiración (figura 6)**

El flotador de parada del motor de aspiración se encuentra en el depósito de recuperación. Para automáticamente el motor de aspiración cuando el depósito de recuperación está lleno. **NOTA: Si observa la presencia de una cantidad importante de espuma en el depósito de recuperación, añada un antiespumante en el depósito de solución. El exceso de espuma puede dañar el motor de aspiración.**

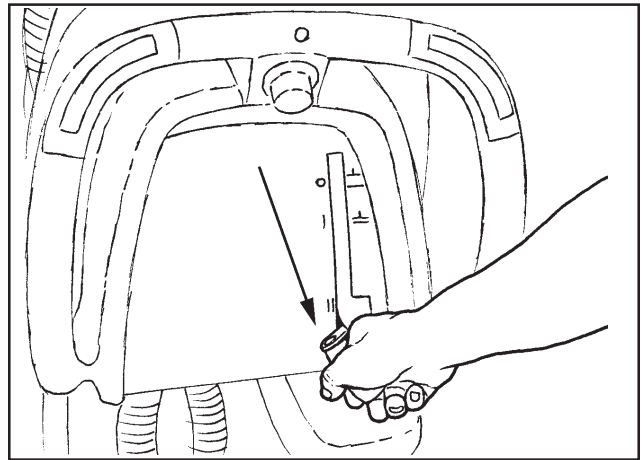


Figura 5

### **Freno de mano (opcional)**

**NOTA: El motor de aspiración puede resultar dañado si ingresa espuma en el mismo. Es necesario poner el freno de estacionamiento si la máquina opera en superficies con una pendiente superior al 2%.**

El freno de mano evita el movimiento de la máquina.



**¡CUIDADO!: No active nunca el freno de estacionamiento cuando la máquina está en movimiento.**

El freno está ubicado en la parte posterior derecha de la máquina. Presione el pedal para activar el freno y levante el pedal para liberarlo.

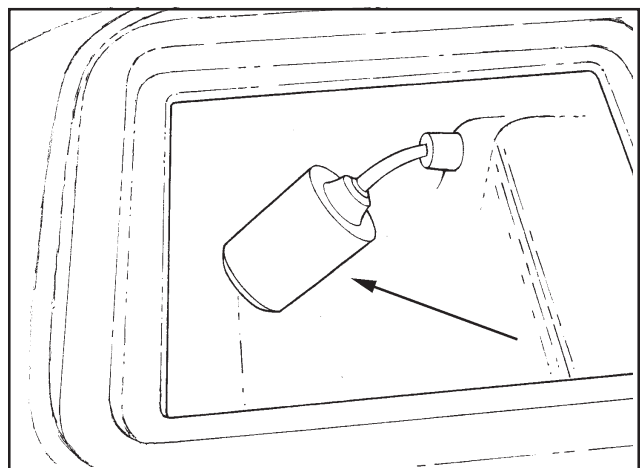


Figura 6

## PREPARACIÓN DE LA MÁQUINA PARA TRABAJAR

Las máquinas Focus 17 y 20 usan dos baterías de 12 voltios. Las baterías están ubicadas en el compartimento de baterías debajo del depósito de recuperación. Se recomienda sacar el depósito de recuperación al instalar las baterías.

### Cómo instalar las baterías

Para instalar las baterías, el procedimiento es el siguiente:

1. Apague la máquina. Ponga el freno (si la máquina está equipada con freno).
2. Verifique que el depósito de recuperación esté vacío.  
NOTA: El tanque de recuperación en los modelos Focus 17 y 20 ha sido diseñado de modo de permitir una fácil remoción y limpieza.
3. Desconecte las mangueras de la tapa de recuperación (Refiérase a la Figura 7.)
4. Desenganche la válvula de la manguera de drenaje del depósito de recuperación de la abrazadera de soporte y coloque el extremo libre en el piso (Refiérase a la Figura 8.)

**⚠ ¡AVISO!: Antes de levantar o sacar el depósito de recuperación, verifique que esté vacío. No haga funcionar la máquina ni realice mantenimiento de la misma mientras el depósito de recuperación se encuentra en posición abierta. Si se tropieza con el depósito accidentalmente, puede cerrarse de un golpe.**

5. Desconecte el conector eléctrico azul del flotador (Refiérase a la Figura 9).
6. Desenganche la abrazadera de la traba del depósito de recuperación (Refiérase a la Figura 10).
7. Destrabe y guarde la varilla de apoyo en el depósito de solución y cierre el depósito de recuperación.
8. Mientras empuja el depósito hacia atrás, levante con cuidado y retire el depósito de recuperación de la máquina. Deje la manguera de drenaje de recuperación adosada al depósito de recuperación.

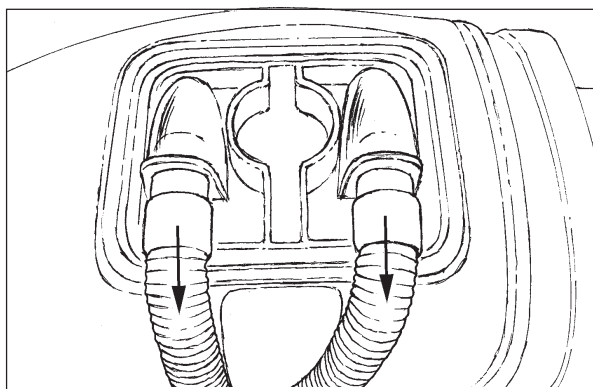


Figura 7

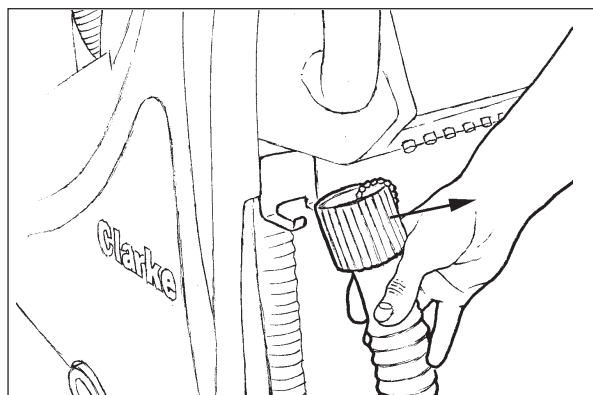


Figura 8

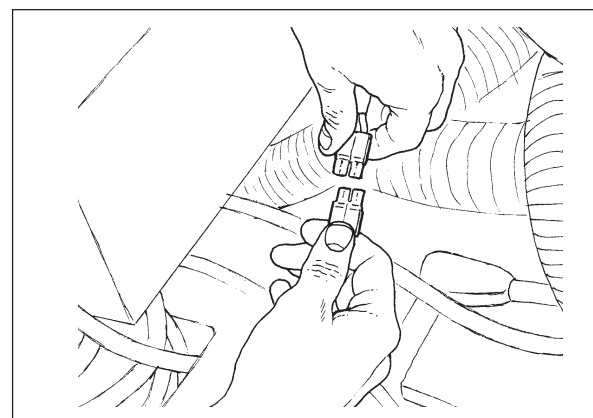


Figura 9A

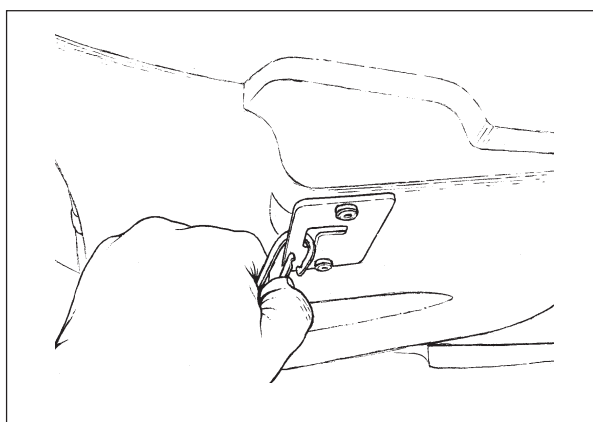


Figura 9B

## PREPARACIÓN DE LA MÁQUINA PARA TRABAJAR

9. Coloque las baterías en el compartimento que se muestra en la Figura 11.

**⚠ ¡AVISO!** Las baterías pesan. No las levante solo: se podría lesionar. Levante las baterías con la ayuda de otra persona.

**⚠ ¡AVISO!** La manipulación de las baterías es peligrosa. Siempre lleve ropas y gafas de protección cuando trabaja cerca de las baterías. ¡NO FUME!

10. Conecte los cables entre las baterías e instale un cable de batería largo como se indica. Ver figura 11).
11. Ajuste las baterías en posición con las bandas de fijación de las baterías (Refiérase a la Figura 12).
12. Vuelva a instalar el depósito de recuperación asegurándose que el pasador pivote en el depósito de recuperación esté instalado debajo de la plaqueta de metal del depósito de solución (Refiérase a la figura 13A).
13. Ajuste nuevamente la traba del depósito de recuperación (Refiérase a la figura 10B.)

**⚠ ¡AVISO!** Si el depósito de recuperación no está instalado adecuadamente, se puede caer de la máquina al abrir el depósito o hacer funcionar la máquina. Verifique que el pasador pivote se encuentre debajo de la plaqueta de metal del depósito de solución y que la traba esté adosada al depósito de recuperación.

14. Vuelva a conectar las mangueras de la aspiradora y de la escobilla de goma a la tapa de recuperación. Asegúrese que la manguera al motor de la aspiradora y la manguera de la escobilla posterior estén instaladas sobre la parte superior de la manguera de drenaje (Refiérase a la Figura 13B).
15. Vuelva a conectar el conector azul del flotador (Refiérase a la figura 10A, página 12).
16. Cargue las baterías antes de usar la máquina.

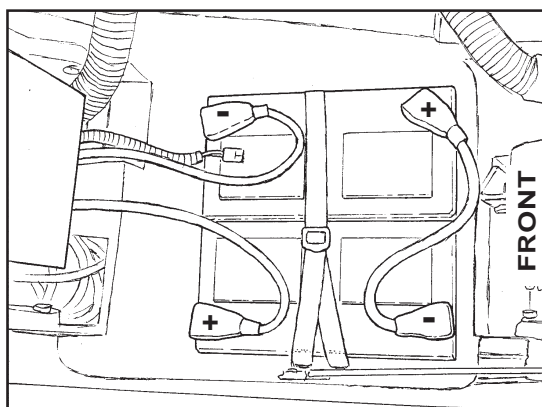


Figura 11

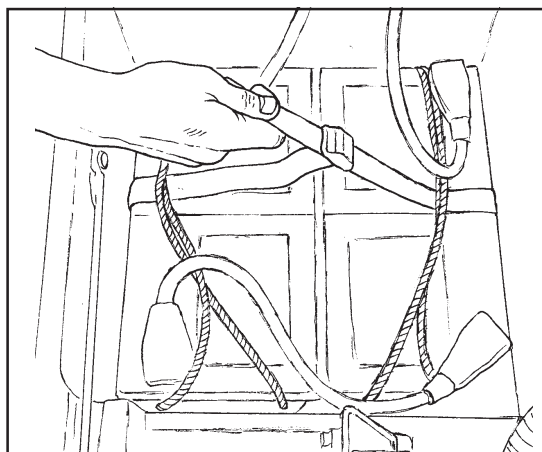


Figura 12

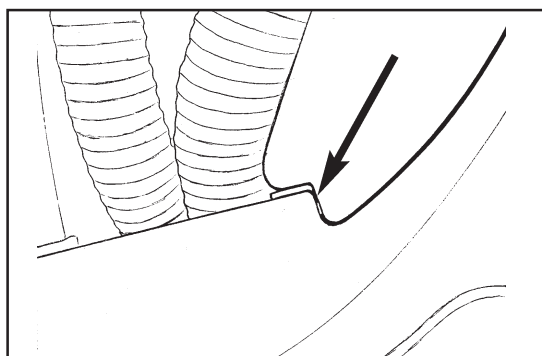


Figura 13A

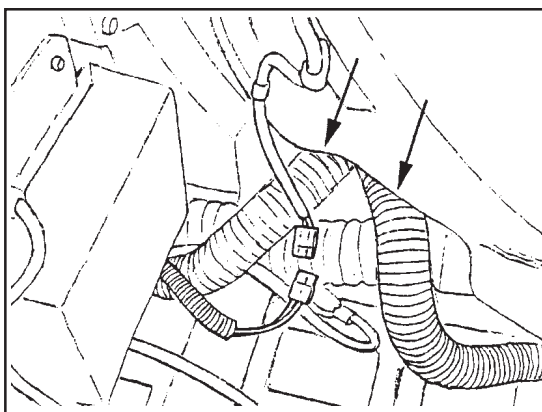


Figura 13B

## PREPARACIÓN DE LA MÁQUINA PARA TRABAJAR

### Mantenimiento de las baterías

Las baterías con acumuladores proporcionan la alimentación eléctrica necesaria para el funcionamiento de la máquina. Las baterías de acumuladores necesitan un mantenimiento preventivo.

Para guardar las baterías en buen estado, siga las instrucciones siguientes:

1. Mantenga un nivel de ácido correcto. El nivel de llenado adecuado se sitúa aproximadamente a 5 mm (1/4 pulg.) de distancia de la parte inferior del tapón de cada célula y encima de la parte superior de las placas. Compruebe el nivel del ácido cada vez que carga las baterías. Véase figura 14.

**NOTA:** Compruebe el nivel de ácido antes de cargar las baterías. Compruebe que cada placa está sumergida. No llene completamente las células antes de cargar la batería. El ácido se dilata durante la carga y podría rebosar. Llene las células añadiendo agua destilada después de la operación de carga.

- ⚠ **¡CUIDADO!:** Las baterías son irremediamente dañadas si el nivel de ácido no cubre las placas. Mantenga un nivel de ácido correcto.
- ⚠ **¡CUIDADO!:** Si las baterías están sobrecargadas se pueden producir daños en la máquina y descargas eléctricas en la parte superior de las baterías. Al llenar las baterías, no llegue hasta el final del tubo de cada celda. Elimine los restos de ácido de la máquina y de la parte superior de las baterías. No añada ácido a la batería una vez instalada.
- ⚠ **¡CUIDADO!:** Las baterías sólo se pueden rellenar con agua destilada. No utilice agua corriente ya que contiene sustancias contaminantes que podrían dañar las baterías.

2. Las tapas de las baterías deben estar siempre limpias y secas. Procure mantenerlas limpias. Para limpiar las tapas de las baterías, use un trapo húmedo, embebido de una solución de poca concentración de amoníaco o bicarbonato de sosa. Hay que limpiar los bornes y los empalmadores con la herramienta adecuada. Procure que la solución de amoníaco o de bicarbonato de sosa no penetre dentro de las baterías.
3. Las baterías deben estar siempre cargadas.
4. Para vaciar el compartimiento de las baterías (véase figura 15).
  - a. Lleve siempre ropas y gafas de protección.
  - b. Añada una solución ligera de amoníaco o una solución de bicarbonato de sosa al compartimiento de la batería para neutralizar el ácido que se haya derramado.
  - c. Tire del tubo de drenaje desde el eje transversal.
  - d. Coloque la mano detrás de la brida y abra la válvula.
  - e. Cuando esté vacía, cierre la válvula.
  - f. Sustituya la válvula y el tubo de drenaje de la parte superior del eje transversal.
  - g. Neutralice todos los restos de ácido con amoníaco o bicarbonato de sosa.

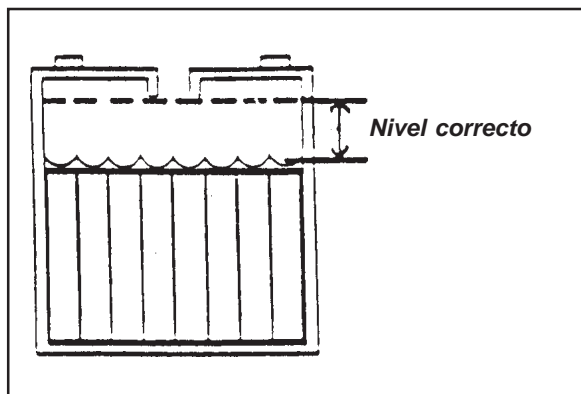


Figura 14

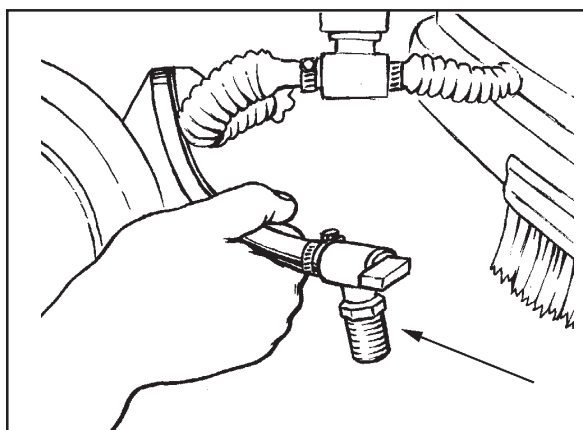


Figura 15

## PREPARACIÓN DE LA MÁQUINA PARA TRABAJAR

### Procedimiento para cargar las baterías

**¡AVISO!** Si carga las baterías en un local que no está suficientemente ventilado, corre el riesgo de causar una explosión. Para evitar cualquier peligro de explosión, cargue siempre las baterías en un local bien ventilado.

**¡AVISO!** Las baterías ácido/plomo generan gases explosivos. Procure que no haya ninguna llama ni chispa cerca de las baterías. **NO FUME.**

Para cargar las baterías, siga el procedimiento siguiente:

1. Coloque la máquina en una superficie nivelada con adecuada ventilación.
2. Si la máquina está equipada con freno de estacionamiento, póngalo.
3. Desactive la energía del panel de control presionando el botón rojo "OFF". Si la máquina está equipada con un interruptor de llave, gire la llave en sentido anti-horario a la posición "OFF".
4. Antes de cargar las baterías, es necesario ventilar el compartimento. Para ventilar el compartimento de las baterías, es necesario abrir el depósito de recuperación.

**¡AVISO!** Antes de levantar o sacar el depósito de recuperación, verifique que esté vacío. No haga funcionar la máquina ni realice mantenimiento de la misma mientras el depósito de recuperación se encuentra en posición abierta. Si se tropieza con el depósito accidentalmente, puede cerrarse de un golpe.

5. Los modelos Focus 17 y 20 está equipado con un cargador incorporado ubicado detrás del depósito de recuperación (Refiérase a la Figura 17). El cargador funciona en tres etapas, a los efectos de maximizar la vida de la batería. El cable de conexión de CA con el cargador incorporado a la máquina está ubicado en el compartimento respectivo debajo de la palanca de control, en la parte posterior de la máquina (Refiérase a la Figura 16). Saque el cable del compartimento.
7. Conecte el cargador a un tomacorriente de pared monofásico, de tres hilos, con adecuada puesta a tierra. **NOTA:** Cuando se enchufa el cargador al tomacorriente de la pared, se ilumina la luz amarilla del panel de control junto al símbolo de enchufe y el cargador comienza a cargar (Refiérase a la figura 3, ítem A).

### 3-Secuencia de carga en etapas:

- **Etapa volumétrica** - En la etapa volumétrica de la carga, se ilumina la luz roja del cargador (Refiérase a la Figura 17). Durante esta etapa el cargador suministra el máximo amperaje a las baterías y continúa la carga a ese régimen hasta alcanzar aproximadamente el 75% de la capacidad de las baterías.

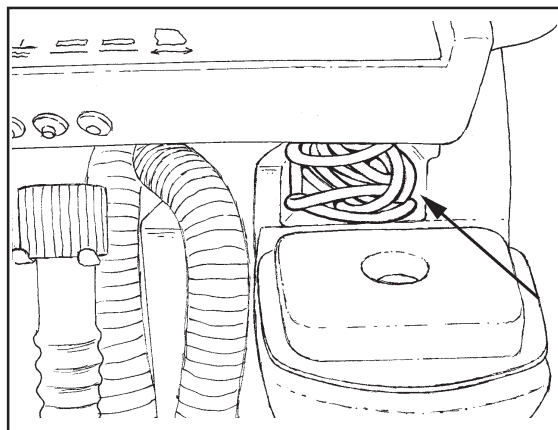


Figura 16

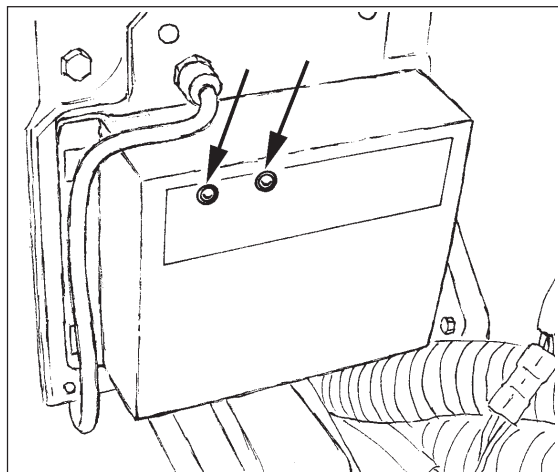


Figura 17



## PREPARACIÓN DE LA MÁQUINA PARA TRABAJAR

- **Etapa de absorción** - En la etapa de absorción, se iluminan las luces roja y verde del cargador (Refiérase a la Figura 17). Durante esta etapa, el cargador mantiene un voltaje constante y deja que las baterías absorban la carga a su propio régimen.
  - **Etapa de flotación y mantenimiento** - En la etapa de mantenimiento, se apaga la luz roja y solamente se enciende la luz verde del cargador (Refiérase a la Figura 17). Durante esta etapa el cargador aplica un voltaje más bajo, regulado, para mantener la carga total y evitar la descarga. Las baterías pueden estar conectadas indefinidamente sin riesgo de daño alguno.
- Desconecte el cable de energía del cargador, enchufado en el tomacorriente, antes de activar el panel de control de la máquina. Guarde el cable en el compartimento respectivo ubicado debajo de la palanca de control (Refiérase a la Figura 16).
  - Destraque y guarde la varilla de apoyo en el depósito de solución y cierre el depósito de recuperación una vez completada la carga.

**NOTA:** No es necesario sacar el conjunto de alojamiento de los cepillos al sacar o instalar el accionamiento de cepillos o discos. Para proporcionar mejor acceso al cepillo, o cuando la máquina se encuentra en una rampa, se puede sacar el conjunto de alojamiento de los cepillos. Para retirar el conjunto de alojamiento del cepillo, tire hacia fuera de la clavija cargada a resorte sobre la parte izquierda del alojamiento, luego extraiga el conjunto de alojamiento del cepillo tirando hacia arriba y hacia fuera (Refiérase a la Figura 18A). Reinstale el conjunto de alojamiento del cepillo en orden inverso, asegurándose que la barra transversal en el alojamiento del cepillo esté insertada dentro de las dos ranuras ubicadas en el montaje del motor y que la clavija cargada a resorte esté trabada en su posición correcta (Refiérase a la Figura 19).

### **Cómo instalar el accionamiento de los cepillos o discos rotativos (en caso de disponer de tal equipamiento)**

Para instalar los accionamientos de cepillos o discos en la máquina, el procedimiento es el siguiente:

- Gire el interruptor de llave en sentido horario (sólo los modelos "L"). Pulse el botón verde "ON".
- Levante el cabezal del cepillo presionando y sosteniendo el cepillo arriba hasta que el cabezal del cepillo se encuentre en posición totalmente alta y rotada (Refiérase a la Figura 20).
- Pulse el botón rojo "OFF" o gire el interruptor de llave en sentido anti-horario en el caso de las máquinas equipadas con llave.
- Coloque el accionamiento de cepillos o discos debajo de la placa del motor de los cepillos y alinee las lengüetas del motor con las ranuras del balancín del cepillo.
- Empuje el cepillo hacia arriba y rote en dirección contraria a la rotación de lavado, hasta que las lengüetas queden adecuadamente trabadas. (Refiérase a la Figura 20).
- Vuelva a instalar el conjunto de cepillos en caso de haberlo sacado.



**¡AVISO!**

**Si intenta usar una máquina antes de que esté completamente montada, corre el peligro de herirse o causar daños materiales. No opere la máquina antes de que esté completamente montada. Compruebe cuidadosamente el estado de la máquina antes de cada utilización.**

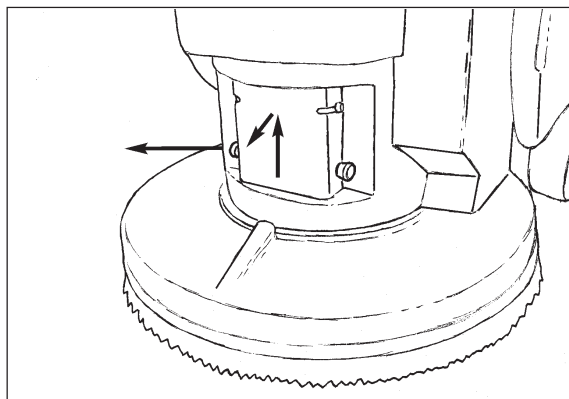


Figura 18

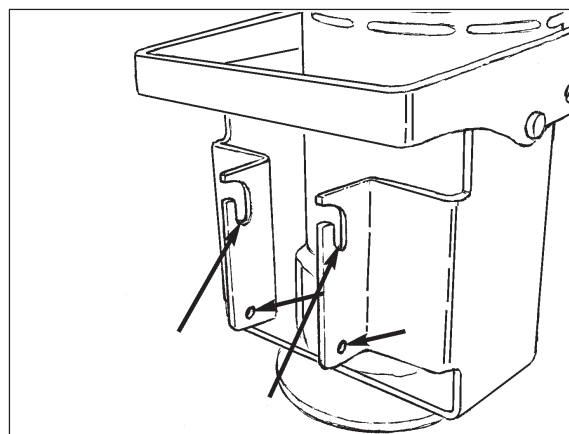


Figura 19

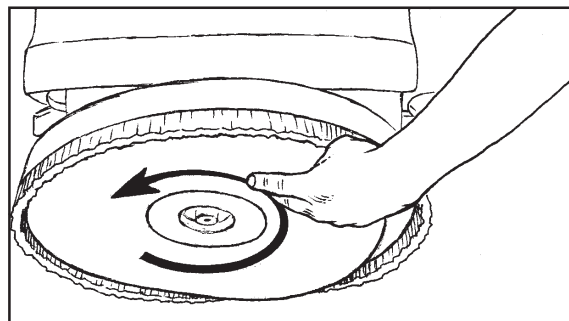


Figura 20

## PREPARACIÓN DE LA MÁQUINA PARA TRABAJAR

### **Cómo sacar el accionamiento de cepillos o discos rotativos (en caso de disponer de ese equipamiento)**

Para quitar el accionamiento de cepillos o discos de la máquina, el procedimiento es el siguiente:

1. Gire el interruptor de llave en sentido anti-horario (sólo para los modelos "L"). Pulse el botón verde "ON".
2. Levante el cabezal del cepillo pulsando y manteniendo el cepillo elevado hasta que el cabezal se encuentre en posición totalmente alta y rotada.
3. Pulse el botón rojo "OFF" o gire el interruptor de llave en sentido anti-horario en el caso de máquinas equipadas con llave.
4. Para sacar el cepillo, rote el cepillo en la misma dirección de la rotación de lavado mediante un movimiento rápido hasta que se suelte el cepillo (Refiérase a la Figura 21).
5. Instale nuevamente el conjunto de cepillos, en caso de haberlo sacado.

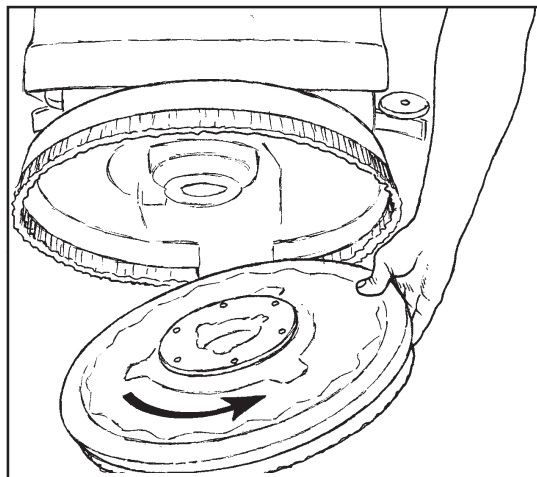


Figura 21

### **Cómo cambiar o rotar los cepillos cilíndricos (en caso de disponer de ese equipamiento)**

Para instalar o rotar los cepillos en la máquina, el procedimiento es el siguiente:

1. Gire el interruptor de llave en sentido horario (sólo en los modelos "L"). Pulse el botón verde "ON".
2. Levante el cabezal de los cepillos pulsando y manteniendo el cepillo elevado hasta que el cabezal se encuentre en posición totalmente alta y rotada.
3. Presione el botón rojo "OFF" o gire el interruptor de llave en el caso de máquinas equipadas con llave.
4. Vaya a la parte delantera de la máquina y quite el tornillo de mariposa de la puerta del cepillo (figura 22).
5. Baje la puerta aproximadamente 1/2 pulgada y deslice la puerta y el conjunto de cojinetes fuera del eje (figura 23).
6. Retire el espaciador del cepillo y el cepillo deslizándolos fuera del eje del cepillo (figura 24).
7. Gire el cepillo o sustitúyalo.
8. Deslice el cepillo en el eje y gire lentamente hasta que las espigas de colocación estén alineadas con las ranuras del cepillo. Empuje el cepillo hasta el fondo.
9. Instale el espaciador del cepillo en el eje.
10. Deslice el conjunto de cojinetes de la puerta del cepillo en el eje.
11. Levante la puerta y coloque el tornillo de mariposa.

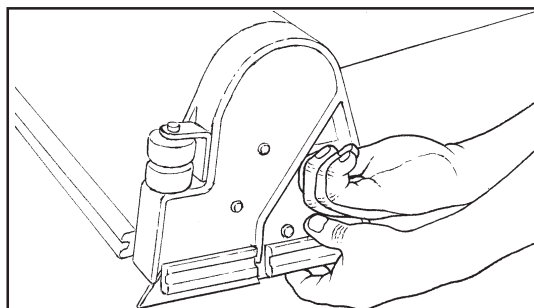


Figura 22

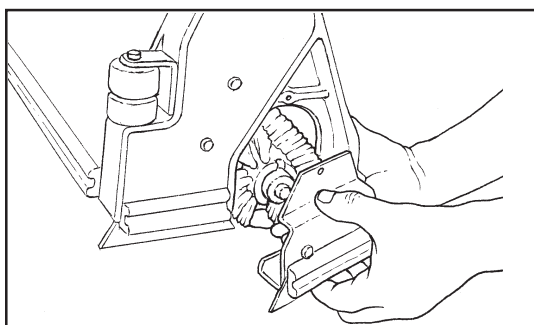


Figura 23

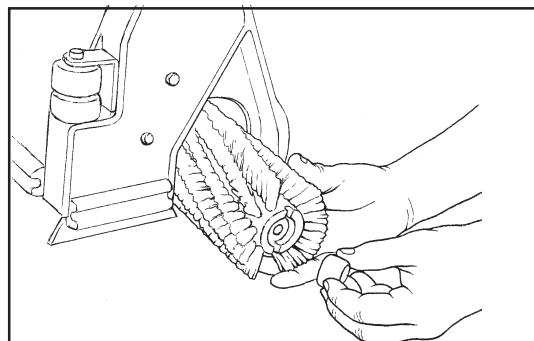


Figura 24

**⚠ PELIGRO:** Si intenta usar una máquina antes de que esté completamente montada, corre el peligro de herirse o causar daños materiales. No opere la máquina antes de que esté completamente montada. Compruebe cuidadosamente el estado de la máquina antes de cada utilización.



## Puesta en marcha de la máquina

### Funcionamiento de la bayeta

La bayeta rasca el suelo mientras el motor de aspiración aspira la solución de agua sucia. Baje o levante la empuñadura de mando de la bayeta con la mano derecha. Para hacer funcionar la bayeta, siga el procedimiento siguiente:

1. Para bajar la bayeta y arrancar el motor de aspiración, mueva la palanca de la bayeta hacia la derecha y bájela (véase figura 25).
2. Para elevar la bayeta, vuelva a colocar la palanca en la posición elevada (véase figura 26).

**NOTA:** La posición central permite al motor de aspiración seguir girando, cuando la bayeta ya no está en contacto con el suelo. Esto evita los goteos y es también la posición en que la bayeta debe encontrarse cuando la máquina funciona en marcha atrás.

### Cómo llenar el depósito de solución

El depósito de solución se llena en la parte posterior de la máquina (Refiérase a la figura 27). Para llenar el depósito de solución, el procedimiento es el siguiente:

1. Levante la tapa del depósito de solución. Añada la cantidad necesaria de producto de limpieza, siguiendo las instrucciones que se encuentran en el recipiente.
2. Saque la tapa de solución y llene el depósito de solución con agua.

**⚠ ¡AVISO!** Las soluciones acuosas y los detergentes utilizados con este tipo de máquina pueden dejar zonas húmedas en el suelo, lo que supone un riesgo para el operador u otras personas. Coloque siempre paneles de aviso "Atención" en la zona donde se usa la máquina..

**⚠ ¡AVISO!** Las máquinas pueden causar la inflamación de algunos materiales y vapores. No use la máquina con o cerca de productos inflamables como: gasolina, polvo de granos, solventes y diluyentes. Use únicamente soluciones y concentraciones de limpieza disponibles en el mercado que estén específicamente destinadas a aplicaciones de limpieza de pisos.

**⚠ ¡AVISO!** Clarke aconseja una temperatura máxima del agua de 120°F (49°C).

### Puesta en marcha de la máquina

**NOTA:** Ajuste la velocidad de la máquina en la velocidad mínima. Use la máquina en un área donde no haya muebles u objetos hasta que pueda hacer lo siguiente:

1. Mover la máquina en línea recta, en marcha adelante y atrás.
2. Parar la máquina despacio.
3. Girar la máquina hacia la izquierda, luego hacia la derecha y volver a guiarla hacia adelante.

Para mover la máquina, siga el procedimiento siguiente:

1. Si la máquina tiene un freno de estacionamiento, aflójelo.
2. Gire el interruptor de llave en sentido horario a la posición "ON" (sólo en los modelos "L"). Pulse el botón verde "ON". (sólo en los modelos "L").
3. Levante el cepillo a la posición máxima.
4. Levante la bayeta.

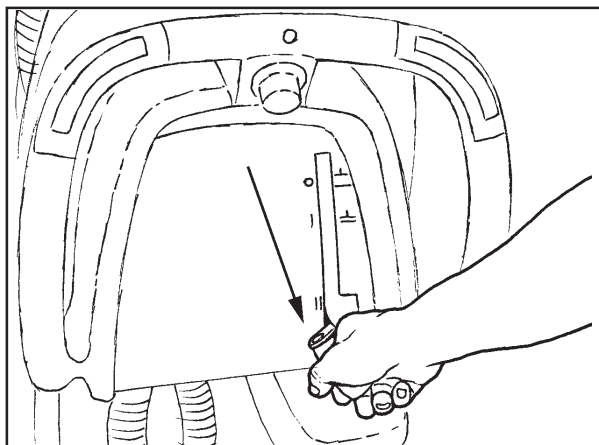


Figura 25

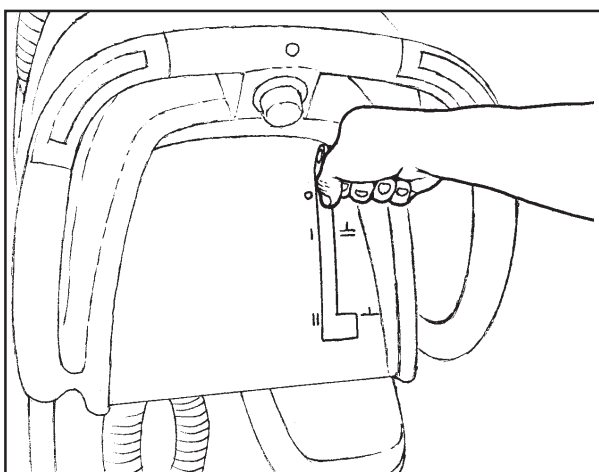


Figura 26

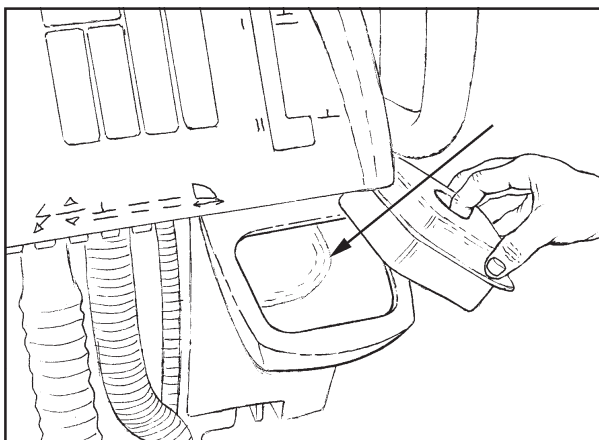


Figura 27

## Puesta en marcha de la máquina

5. Pulse el botón izquierdo o el botón derecho (sólo en los modelos "L"), véase figura 28, para avanzar la máquina.
6. Ponga el selector en la velocidad deseada (sólo en los modelos "L") (figura 27).
7. Para parar, afloje la presión sobre el botón A.
8. Para retroceder, pulse el botón blanco (figura 28) mientras pulsa uno de los botones "A" (figura 28) (sólo en los modelos "L").
9. Para parar la máquina, afloje la presión sobre el botón A.
10. Para girar la máquina, empuje la parte trasera de la máquina hacia un lado.
11. Cuando detenga la máquina, pulse el botón rojo "OFF" o gire el interruptor de llave en sentido anti-horario a la posición "OFF" (sólo en los modelos "L"). Saque la llave y ponga el freno de estacionamiento (en caso de disponer de ese equipamiento).

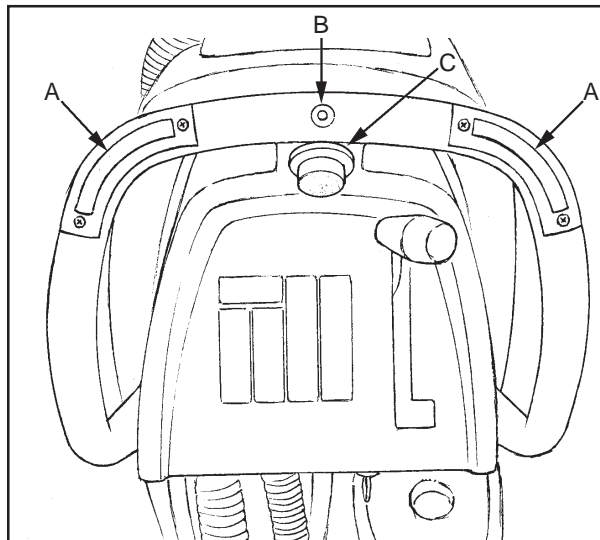


Figura 28

## Consejos para la limpieza

**¡AVISO!** Las soluciones acuosas o los detergentes utilizados con este tipo de máquina pueden dejar zonas húmedas en el suelo, lo que supone un riesgo para el operador u otras personas. Coloque siempre paneles de aviso "Atención" en la zona donde se usa la máquina.

Para limpiar el suelo, siga el procedimiento siguiente:

1. Si la máquina está equipada con un freno de estacionamiento, actívelo.
2. Llene el depósito de solución con agua y la cantidad adecuada de producto de limpieza.
3. Afloje el freno de estacionamiento (si la máquina tiene uno).
4. Gire el interruptor de llave en sentido horario a la posición "ON" (sólo en los modelos "L"). Pulse el botón verde "ON".
5. Baje la bayeta.
6. Pulse el botón de cepillo abajo hasta que se ilumine la luz amarilla y se alcance la presión adecuada.

**¡AVISO!** Esta máquina puede alcanzar la máxima presión de los cabezales con cepillos o discos gastados. Debido a esta característica se puede superar la presión recomendada para los cepillos o discos nuevos. Esto podría causar una desconexión del disyuntor o provocar una posible pérdida de tracción y de control. El interruptor del cepillo debe estar activado para suministrar únicamente la presión necesaria para el trabajo. De esta manera se obtendrá un mayor tiempo de vida útil de las baterías y de funcionamiento.

**NOTA:** a máquina debe estar en movimiento cuando el cepillo gira sobre el suelo. Humedezca previamente el cepillo o el disco o aplique una presión mínima sobre el cepillo hasta que el flujo de solución haya impregnado suficientemente el cepillo o el disco para no rayar el suelo.

## Puesta en marcha de la máquina

Para humedecer previamente los cepillos gire en primer lugar la perilla de velocidades a la marca de tracción más baja en los modelos "L". Luego, tanto en el modelo "S" como en el "L", baje los cepillos hasta que los mismos rocen el piso y se encienda la luz amarilla del panel de control. Active el botón de marcha adelante/marcha atrás para arrancar el motor y el flujo de solución.

**NOTA:** En el modelo "L", la máquina no se mueve cuando la perilla de velocidad de tracción se encuentra totalmente rotada en sentido anti-horario.

7. Ajuste el flujo de solución de limpieza a discreción.
8. Haga una pasada con la máquina a lo largo de todo el piso.
9. Gire a 180°

**NOTA:** Las pasadas de limpieza tienen que solaparse 5 cm como mínimo.

**NOTA:** Para la mayoría de los trabajos, la aplicación de la solución y la aspiración del agua sucia se harán en un solo paso.

### Limpieza de un suelo muy sucio.

Para limpiar una superficie muy sucia, siga el procedimiento siguiente:

1. Aplique la solución de limpieza.
2. No baje la bayeta. El motor de aspiración no se pondrá en marcha.
3. Baje el cepillo o el disco y friegue el suelo.
4. Pase de nuevo en el mismo sitio aplicando más solución de limpieza y bajando la bayeta.
5. Aspire toda el agua sucia.

## MANTENIMIENTO

**¡AVISO!** Las reparaciones y operaciones de mantenimiento deben ser hechas siempre por técnicos autorizados Clarke.

**¡AVISO!** Vacíe siempre los dos depósitos (solución y recuperación) antes de empezar un mantenimiento o una reparación.

**¡AVISO!** Todas la fijaciones deben estar bien apretadas.

**Estos procedimientos de mantenimiento se deben efectuar diariamente**

Procure a la limpieza de la máquina, se evitarán de este modo reparaciones y la máquina tendrá una vida útil más larga.

### Mantenimiento al principio de un trabajo

1. Desconecte la alimentación de CA del cargador de la batería (de acuerdo a las instrucciones del cargador)
2. Guarde el cable eléctrico de conexión con el cargador en el compartimento respectivo de la máquina (Refiérase a la Figura 29).
3. Verifique que el filtro de tamiz se encuentre adecuadamente instalado en la tapa de recuperación y se encuentre limpio (Refiérase a la figura 30).
4. Compruebe que la tapa del depósito de recuperación está correctamente colocada. Ver figura 30.

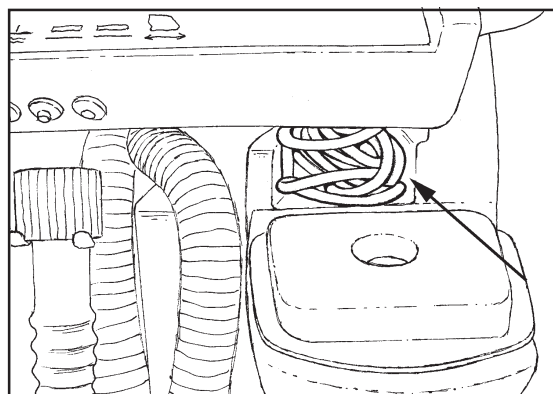


Figura 29

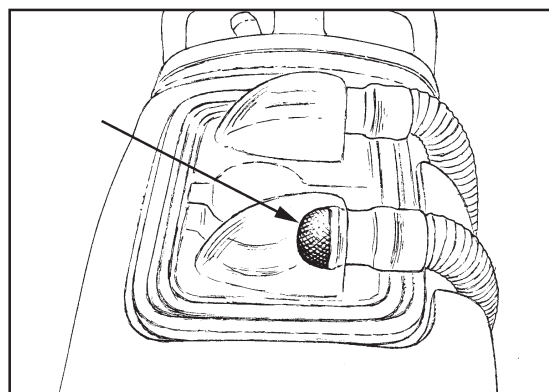


Figura 30

**MANTENIMIENTO**

5. Compruebe que la válvula de las mangueras de vaciado está limpia y ciérreia cuidadosamente.
6. Compruebe que los cepillo/disco estén en la posición apropiada e instalados correctamente.
7. Verifique que el conjunto de cepillos y los rebordes estén en posición en el cabezal de los cepillos.
8. Compruebe la instalación de la bayeta y de la manguera de la bayeta.
9. Asegúrese de que el tubo del indicador de nivel/ drenaje de la solución esté firme en el soporte de la parte trasera de la máquina.

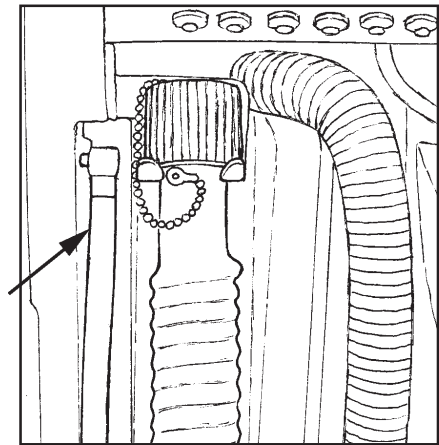


Figura 31

**Mantenimiento a efectuar después de cada trabajo**

1. Vacie el depósito de solución (figura 31) y el depósito de recuperación (figura 32). Para vaciar los depósitos, proceda así:

- a. Pulse el botón rojo "OFF" o gire el interruptor de llave en sentido anti-horario a la posición "OFF" (sólo en el modelo "L").
- b. Quite el tubo de su alojamiento en la parte trasera de la máquina.
- c. Ponga el extremo del tubo en un cubo o un sumidero.
- d. *Depósito de recuperación:*
  - 1.) Gire la válvula del conjunto hacia la izquierda (Refiérase a la Figura 33).
  - 2.) Para abrir la válvula completamente, gire el conjunto totalmente hacia la izquierda. Tire del conjunto para separarlo de la válvula. (Figura 34).

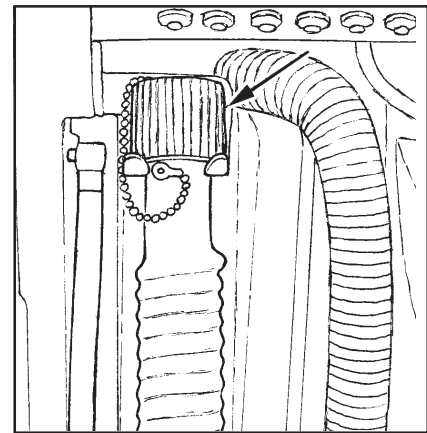


Figura 32

- e. *Depósito de solución:*

Si se baja el tubo al nivel del agua, ésta fluirá.

2. Enjuague los depósitos echando agua limpia por la abertura situada en la parte superior del depósito.
3. Si un tubo de depósito o de vaciado está atascado, utilice un surtidor de alta presión para limpiarlo, introduciéndolo en el tubo.
4. Deje los depósitos y las válvulas de vaciado abiertos para que se sequen con el aire.
5. Compruebe la lámina de la bayeta. Límpiela con un trapo limpio. Si la lámina está dañada o desgastada, déla vuelta o ponga una nueva lámina.
6. Controle y limpie la empaquetadura de la tapa de recuperación. Use una solución de limpieza suave y enjuague las partes con agua limpia.

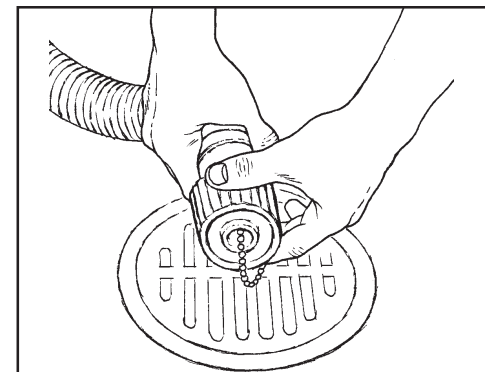


Figura 33

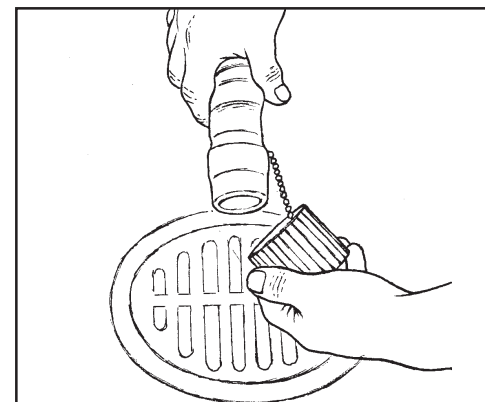


Figura 34

**MANTENIMIENTO**

7. En las máquinas con cabezal de cepillo cilíndrico, es necesario vaciar regularmente la cubeta de residuos para evitar desbordes. Para sacar la cubeta de residuos, siga este procedimiento (Refiérase a la Figura 35).
- Vaya al lado izquierdo de la máquina, en la parte trasera del cabezal de cepillado cilíndrico.
  - Sujete el extremo de la bandeja con la mano izquierda y el centro de la bandeja con la mano derecha.
  - Levante el centro de la bandeja con la mano derecha y deslice la bandeja hacia fuera con la mano izquierda.
  - Vacíe la bandeja y límpiela antes de volver a colocarla. Asegúrese de que se han engranado tanto la ranura superior como en inferior.

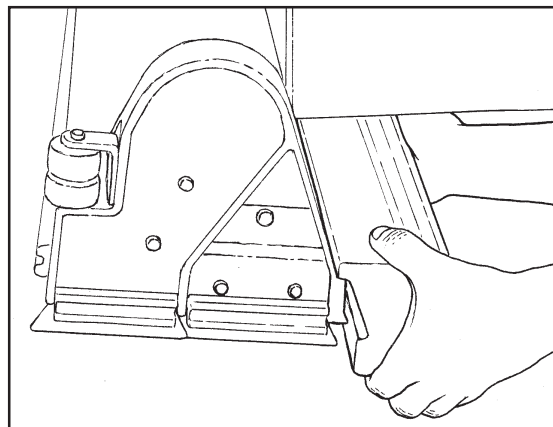


Figura 35

Controle las baterías, y si es necesario, añada agua destilada después de cargarlas. El nivel correcto es a 1/4 de pulgada (1/2 cm) de la parte inferior del tubo en cada celda.

**⚠ ¡CUIDADO!** El agua del grifo puede contener agentes nocivos para las baterías. Utilice **ÚNICAMENTE AGUA DESTILADA** para llenar las baterías.

**⚠ ¡AVISO!** Las baterías ácido/plomo pueden producir gases explosivos. **NO FUME.** Lleve siempre gafas y ropas de protección cuando trabaja cerca de las baterías.

Enjague la máquina con un trapo limpio.

Cargue las baterías. Consultar las instrucciones en la sección "Procedimiento de carga de las baterías" de este manual.

**Mantenimientos a efectuar semanalmente:**

**⚠ ¡AVISO!** Sólo personal autorizado puede efectuar reparaciones y mantenimiento de nuestras máquinas. Vacíe siempre el depósito de solución y el depósito de recuperación antes de cualquier operación de mantenimiento. Procure que las fijaciones estén siempre bien apretadas.

**⚠ ¡AVISO!** Lleve siempre gafas y ropas de protección cuando trabaja cerca de las baterías. No inserte herramientas u otros objetos metálicos entre los bornes o encima de las baterías.

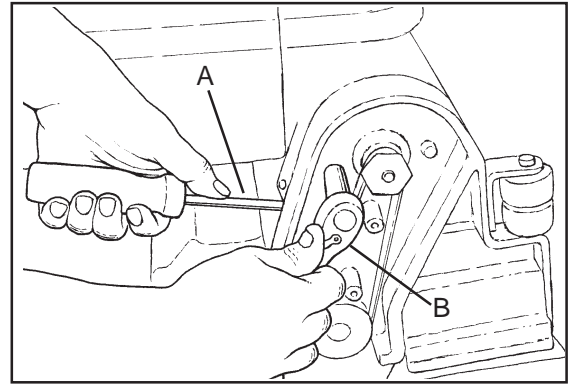
**⚠ ¡CUIDADO!** Para evitar daños a la máquina y para que las baterías no se descarguen, el nivel de electrólito no debe nunca pasar el extremo del tubo de cada célula. Enjague todo rebosamiento de ácido en la máquina o las baterías. No añada nunca ácido en las baterías después de su colocación.

**MANTENIMIENTO**

**NOTA:** Siempre apague la máquina antes de realizar el servicio de mantenimiento de la misma.

**⚠ ¡AVISO!** Lleve siempre gafas y ropas de protección cuando trabaja cerca de las baterías. **¡NO FUME!**

**⚠ ¡AVISO!** Antes de levantar o sacar el depósito de recuperación, verifique que el tanque esté vacío. No haga funcionar la máquina ni realice mantenimiento de la misma mientras el depósito de recuperación se encuentra en posición abierta. Si se tropieza con el depósito accidentalmente, puede cerrarse de un golpe.



**Figura 36**

1. Desconecte las baterías. Utilice una solución con amoníaco o bicarbonato de sosa para enjugar la parte superior de las baterías. Limpie los bornes. Conecte de nuevo las baterías.
2. Compruebe que los tubos no están perforados, atascados o dañados.
3. En las máquinas con cabezal de cepillo cilíndrico, verifique que la tensión de las correas de accionamiento de los cepillos sea adecuada. Compruebe que las correas de accionamiento tienen la tensión apropiada. Las correas deben estar correctamente tensadas para evitar deslizamientos. Para apretar las correas, siga este procedimiento:
  - a. Retire la tapa de la correa quitando los tornillos.
  - b. Afloje los 2 tornillos a ambos lados de la polea del motor.
  - c. Use una palanca pequeña o un destornillador grande para apalancar el motor hacia arriba para conseguir la tensión correcta de la correa. Apalanque el motor cerca de donde el motor contacta con la pieza de fundición del cepillo (ver figura 36, A).
  - d. Mantenga la tensión y apriete los 2 tornillos (ver figura 36, B).
  - e. Vuelva a colocar la tapa de la correa.



## MANTENIMIENTO

### Mantenimiento de la bayeta

Para desmontar la bayeta, siga el procedimiento siguiente:

1. Afloje las dos manecillas de fijación del conjunto de la bayeta y luego desmóntelo. (Figura 37)
2. Compruebe el estado de la lámina.
3. Si la lámina está desgastada, déla vuelta para poner un nuevo borde en posición de trabajo.
4. Ponga de nuevo el conjunto de la bayeta en la máquina y apriete las manecillas.

### Reglaje de la bayeta

Los reglajes siguientes están efectuados en la fábrica, pero puede ser necesario proceder a algunos pequeños reajustes.

#### Reglaje de la inclinación de la bayeta

El reglaje permite levantar la lámina trasera sea en el centro, sea en los extremos. (Véase la figura 38.) Afloje los pernos indicados por la letra 'X', a la izquierda y a la derecha. Para bajar la lámina en su centro, gire la pieza 'Y' hacia abajo. Para bajar los extremos de la lámina, gire la pieza 'Y' hacia arriba. Estos reglajes son reglajes finos, proceda despacio hasta obtener un ensanche uniforme.

#### Reglaje de la oscilación de la bayeta:

Cuando la bayeta está instalada correctamente, la lámina delantera debe estar 1,5 mm más arriba que la trasera (Figura 39).

**⚠ ¡AVISO!:** El mantenimiento y las reparaciones deben siempre efectuarse por técnicos autorizados

**⚠ ¡AVISO!:** Las reparaciones eléctricas deben siempre efectuarse por técnicos autorizados.

Se ruega dirigirse a un técnico autorizado de Clarke para efectuar las operaciones de mantenimiento.

Sólo utilice recambios originales Clarke.

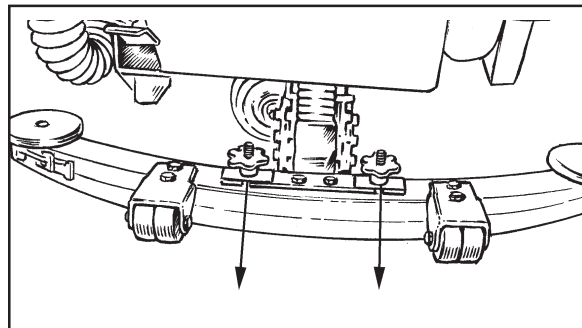


Figura 37

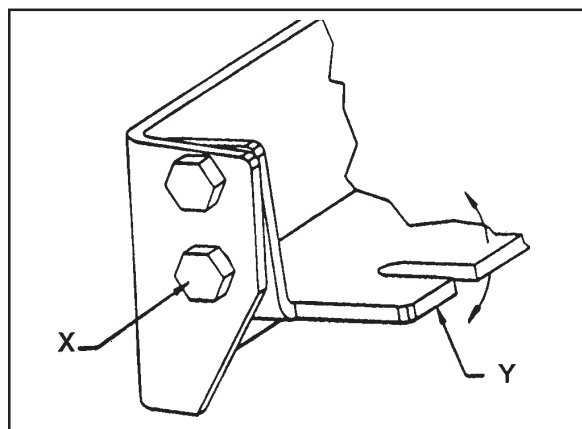


Figura 38

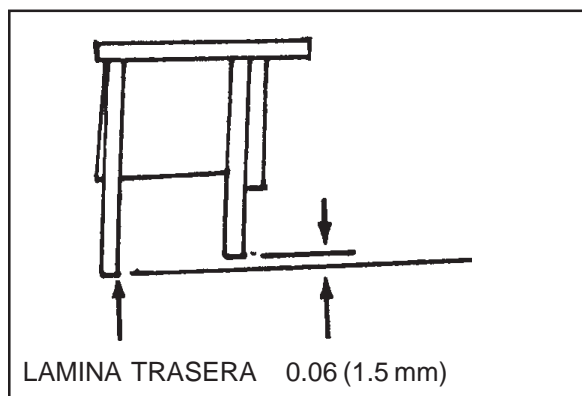


Figura 39

**Clarke**  
**Focus 17 y 20**  
**Accesorios**

---

**ACCESORIOS**

<u>Descripción</u>	<u>N° Pieza</u>
Juego de mantenimiento Clarke	14607A
Conjunto de la bayeta de 29"	18820A
Conjunto de la bayeta de 32"	10129A
Producto de protección para el Polidur	50478A
Juego del horómetro	10656A
Kit del interruptor de llave	10490A
Kit del freno de estacionamiento	10491A
Kit del amortiguador de ruido de aspiración	10492A
Kit de la varilla de energía	10489A
Ensamblado de rueditas de uretano y	61290A
Placa de embrague directo dual	30034A
Retentor del pestillo central	56941A
Tramp "S" de la manguera de la escobilla de goma	30482A

**Conjuntos de cepillos y disco:**

<u>Descripción</u>	<u>N° Pieza (17")</u>	<u>N° Pieza (20")</u>
Conjuntodeportadisco	10405A	30629A
Polipropileno	52539A	30630A
Nylon	52540A	30631A
Arenilla liviana	52543A	30632A
Arenilla limpia	52541A	30633A

**Cepillos Cilindrico**

<u>Size</u>	<u>Description</u>	<u>N° Pieza</u>
4"	Polipropileno	30231A
4"	Nylon	30232A
4"	Arenilla liviana	30233A
4"	Arenilla limpia	30234A

**(29") Láminas de la bayeta**

<u>Descripción</u>	<u>N° Pieza</u>
Lámina trasera - Goma de caucho	30931A
Lámina trasera - Nitrilo sólido	30938A
Lámina delantera - Uretano acanalado	30951A
Lámina delantera - Neoprene dentado	30930A

**(32") Láminas de la bayeta**

<u>Descripción</u>	<u>N° Pieza</u>
Lámina trasera - Goma de caucho	30067A
Lámina trasera - Nitrilo sólido	30081A
Lámina trasera - Acanalada naranja	30085A
Lámina delantera - Acanalada natural	30066A
Lámina delantera - Con hendidura, lechada	30079A
Lámina delantera - Acanalada naranja	30083A

## SOLUCIÓN DE LOS PROBLEMAS DE LA MÁQUINA

PROBLEMA	CAUSA	SOLUCIÓN
<b>La solución no se derrama</b>	<p>El depósito de solución está vacío</p> <p>El filtro o el tubo está atascado</p> <p>La válvula de la solución o el circuito eléctrico están dañados</p> <p>El módulo de control no funciona adecuadamente</p>	<p>Llene el depósito</p> <p>Desatasque el tubo o destape el filtro</p> <p>Arregle o cambie la válvula y el circuito eléctrico</p> <p>Recambie el módulo de control.</p>
<b>El flujo de solución no para</b>	<p>La válvula de la solución está abierta</p> <p>La válvula de la solución o el circuito eléctrico están dañados</p> <p>La válvula de la solución está sucia</p> <p>La chapaleta y la tuerca de la válvula están dañadas</p> <p>El módulo de la solución está dañado</p>	<p>Cierre o limpie la válvula de la solución</p> <p>Arregle o cambie la válvula y el circuito eléctrico</p> <p>Limpie la válvula</p> <p>Cambie la chapaleta y la tuerca</p> <p>Sustituya el módulo de la solución</p>
<b>La máquina no aspira toda el agua del suelo</b>	<p>La bayeta está levantada</p> <p>La inclinación de la bayeta no es correcta</p> <p>El depósito de recuperación está lleno</p> <p>El filtro del tamiz está sucio</p> <p>Hay una obstrucción o daño en la escobilla de goma o en la manguera de la escobilla de goma.</p> <p>El motor de aspiración no funciona</p> <p>El tubo de la bayeta está desconectado o dañado</p> <p>La lámina de la bayeta está dañada, desgastada o colocada de manera incorrecta</p> <p>Las juntas de la tapa del depósito de recuperación están dañadas</p>	<p>Baje la bayeta</p> <p>Para ajustarla, refiérase a la sección titulada "Cómo ajustar la escobilla de goma".</p> <p>Vacíe el depósito</p> <p>Limpie el filtro</p> <p>Desatasque o arregle los daños</p> <p>Compruebe el disyuntor si se desconectó. Acuda a un técnico cualificado para las reparaciones.</p> <p>Compruebe y cambie el tubo</p> <p>Dé vuelta la lámina o cámbiela Ponga la lámina correctamente</p> <p>Cambie las juntas</p>
<b>Las baterías se descargan prematuramente</b>	<p>Los bornes están sucios o dañados</p> <p>El nivel de ácido está demasiado bajo</p> <p>Las baterías no han sido correctamente cargadas</p> <p>El cargador está dañado</p> <p>Las baterías están defectuosas</p> <p>Las baterías están desconectadas</p> <p>El cepillo está permanentemente en posición de fregado ("heavy scrub")</p>	<p>Limpie los bornes y los empalmadores. Cambie los cables dañados. Cargue las baterías</p> <p>Añada agua destilada en cada célula y cargue las baterías de nuevo</p> <p>Cargue las baterías durante 16 horas</p> <p>Acuda a un técnico autorizado para arreglar el cargador</p> <p>Compruebe la tensión de cada célula en descarga</p> <p>Conecte las baterías</p> <p>Ajuste la presión</p>

<b>PROBLEMA</b>	<b>CAUSA</b>	<b>SOLUCIÓN</b>
<b>La limpieza no es uniforme</b>	<p>El cepillo de fregado o el disco están desgastados</p> <p>El conjunto del cepillo, la ruleta o la válvula de solución están dañados</p> <p>El motor del cepillo no funciona</p> <p>El nivel de solución está demasiado bajo</p>	<p>Cambie el cepillo o el disco</p> <p>Acuda a un técnico cualificado para las reparaciones</p> <p>Compruebe el disyuntor si se desconectó. Póngalo de nuevo en cero. Compruebe las conexiones.</p> <p>Llene el depósito de solución</p> <p>NOTA: si el problema persiste, acuda a un técnico cualificado para comprobar la máquina.</p>
<b>La máquina no funciona</b>	<p>Perdida de potencia</p> <p>El interruptor principal a llave está en "O"</p> <p>Las baterías están desconectadas</p> <p>Los bornes de las baterías están sucios</p> <p>Las baterías están descargadas</p>	<p>Enganche de nuevo el disyuntor.</p> <p>Ponga la llave del interruptor principal en "I"</p> <p>Compruebe las conexiones</p> <p>Limpie los bornes</p> <p>Compruebe el indicador de las baterías y cárguelas de nuevo</p> <p>NOTA: si el problema persiste, acuda a un técnico cualificado para comprobar la máquina.</p>

## Table des matières

Instructions pour la sécurité de l'opérateur .....	55
Présentation de la machine .....	56
Spécifications de la machine .....	57
Transport de la machine .....	59
Symboles utilisés pour la machine .....	60
Commandes .....	62
Commandes (suite) .....	63
Préparation de la machine avant la mise en service .....	64
Placement des batteries .....	64
Entretien des batteries .....	66
Charge des batteries .....	67
Comment installer une brosse rotative ou un porte-disque .....	68
Comment retirer une brosse rotative ou un porte-disque .....	69
Comment changer ou faire tourner les brosses cylindriques .....	69
Mise en service .....	70
Fonctionnement du suceur .....	70
Remplissage du réservoir de solution .....	70
Fonctionnement de la machine .....	70
Conseils pour le nettoyage .....	71
Entretien .....	72
Tâches de début de travail .....	72
Tâches de fin de travail .....	73
Tâches hebdomadaires .....	74
Entretien du suceur .....	76
Réglage du suceur .....	76
Accessoires .....	77
Problèmes et solutions proposées .....	78

### SECTION II : Manuel d'entretien et liste de pièces

Ensamblado Final Plano .....	82
Liste des pièces .....	83
Assemblage du réservoir de récupération .....	84
Liste des pièces .....	85
Assemblage du réservoir de solution .....	86
Liste des pièces .....	87
Assemblage du panneau arrière .....	88
Liste des pièces .....	89
Assemblage du tableau de commande .....	90
Liste des pièces .....	91
Assemblage de l'élévation de la racle .....	92
Liste des pièces .....	93
Assemblage de la racle .....	94
Liste des pièces .....	95
Assemblage de l'axe du châssis .....	96
Liste des pièces .....	97
Assemblage de la tête de la brosse (cylindriques) .....	98
Liste des pièces .....	99
Assemblage de la tête de la brosse (rotative) .....	100
Liste des pièces .....	101
Ensamblado de la caja de engranajes y listado de piezas .....	102
Ensamblado del motor de los cepillos y listado de piezas .....	103
Piezas de reparación del eje transversal .....	104
Focus S17/S20 Diagrama de conexiones .....	105
Focus S17/S20 Esquema del circuito eléctrico .....	106
Focus L17/L20 Diagrama de conexiones .....	107
Focus L17/L20 Esquema del circuito eléctrico .....	108

### LISEZ CE MANUEL



**ATTENTION!** Lire ce manuel avant d'utiliser la machine.

Ce manuel contient des informations importantes pour une utilisation correcte de la machine, en toute sécurité. Lisez-le complètement avant de mettre la machine en marche ou d'effectuer un entretien. À défaut, vous risqueriez de vous blesser ou de blesser d'autres membres du personnel, d'endommager sérieusement la machine ou de provoquer des dégâts dans son environnement. Avant de se servir de la machine, il est indispensable d'avoir reçu une formation. Si l'opérateur ne peut lire ce manuel, veuillez le lui expliquer complètement avant de commencer à utiliser cette machine.

Toutes les indications de direction figurant dans ce manuel sont visualisées depuis la position de l'opérateur, à l'arrière de la machine.

Pour toute commande de manuels, adressez-vous à votre revendeur Clarke.

# INSTRUCTIONS POUR LA SÉCURITÉ DE L'OPÉRATEUR

**⚠ DANGER:** Le non-respect des consignes précédées du mot **DANGER** peut occasionner des blessures graves, voire entraîner la mort. Lisez et observez toutes les indications de **DANGER** se trouvant dans le manuel de l'opérateur et sur la machine.

**⚠ AVERTISSEMENT:** Le non-respect des consignes **AVERTISSEMENT** peut entraîner des blessures pour l'opérateur ou d'autres membres du personnel et/ou occasionner des dégâts matériels. Lisez et observez tous les **AVERTISSEMENTS** se trouvant dans le manuel de l'opérateur et sur la machine.

**⚠ PRÉCAUTION:** Le non-respect des consignes signalées par le mot **PRÉCAUTION** peut entraîner des dégâts à la machine ou dans son environnement. Lisez et observez toutes les indications de **PRÉCAUTION** se trouvant dans le manuel de l'opérateur et sur la machine.

**⚠ DANGER:** Lisez toujours ce manuel d'instructions avant de mettre la machine en service ou de procéder à un entretien. A défaut, vous risqueriez de vous blesser ou de blesser des collègues de travail; vous pourriez également provoquer des dégâts à la machine ou sur votre lieu de travail. Vous devez avoir reçu une formation avant d'utiliser la machine. Si l'opérateur ne peut lire le manuel, veuillez lui faire expliquer le manuel complètement avant de commencer à utiliser la machine.

**⚠ DANGER:** Si vous tentez d'utiliser une machine avant qu'elle ne soit complètement montée, vous risquez de vous blesser ou de provoquer des dégâts matériels. Ne mettez pas la machine en service avant qu'elle ne soit complètement montée. Vérifiez soigneusement l'état de la machine avant chaque utilisation.

**⚠ DANGER:** Risque d'explosion et d'incendie. Cette machine n'est pas destinée à ramasser les poussières dangereuses. N'utilisez jamais la machine avec ou près de combustibles, de grains de poussière, de solvants, de diluants ou d'autres matériaux inflammables. N'utilisez que des cires de nettoyage pour sols disponibles dans le commerce et conçues pour être utilisée avec cette machine.

**⚠ DANGER:** Les batteries acide-plomb dégagent des gaz qui peuvent provoquer une explosion. Veillez à ce qu'il n'y ait ni étincelle ni flamme à proximité des batteries. **NE FUMEZ PAS** à proximité de la machine. Procédez à la charge des batteries dans un endroit bien ventilé. Assurez-vous que la prise du chargeur CA est retirée de la prise murale et est rangée avant de faire fonctionner la machine.

**⚠ DANGER:** Quand vous travaillez à proximité des batteries, portez toujours des lunettes ou des vêtements de protection. Enlevez montres et bijoux. N'introduisez pas d'outils ou autres objets métalliques entre les bornes ou sur le couvercle des batteries.











**⚠ DANGER:** Risque d'électrocution si vous utilisez un chargeur dont le câble d'alimentation est endommagé. N'utilisez jamais un chargeur dont le câble d'alimentation est endommagé.

**⚠ AVERTISSEMENT:** La seule position correcte pour l'opérateur est debout, derrière la machine. Toute autre position de conduite risque de provoquer des blessures ou des dégâts.

**⚠ AVERTISSEMENT:** Cette machine est lourde. N'essayez pas de la transporter ou de la déplacer sans aide. Il faut deux personnes pour la faire glisser le long d'une rampe de chargement. Déplacez la machine lentement. Ne tournez pas la machine sur la rampe. Ne la laissez jamais à l'arrêt sur un plan incliné. En cas d'utilisation de la machine sur une pente de degré supérieur à celui indiqué sur la machine.

**⚠ AVERTISSEMENT:** La machine peut basculer si elle est en porte-à-faux sur un escalier ou une rampe de chargement et provoquer des blessures ou des dégâts matériels. N'abandonnez la machine que si vous l'avez arrêtée sur une surface plane et si toutes les commandes sont en position "O". Sur les modèles L17, tournez l'interrupteur à clé sur « OFF » et retirez la clé.



-  **AVERTISSEMENT:** Seul du personnel qualifié, agréé par Clarke, a le droit d'effectuer les réparations et l'entretien de nos machines. L'entretien et les réparations doivent être réalisés par un membre autorisé du personnel uniquement.
-  **AVERTISSEMENT:** Toute modification ou changement apportés à cette machine peuvent l'endommager ou blesser l'opérateur ou d'autres personnes se trouvant à proximité. Les modifications et changements qui n'ont pas été expressément autorisés par le fabricant annulent toute garantie. La responsabilité du fabricant se trouve de ce fait entièrement dérogée.
-  **AVERTISSEMENT:** L'eau ou l'humidité peuvent provoquer des courts-circuits dans le système électrique. Veillez à ce qu'il soit toujours bien sec. Essayez la machine après chaque utilisation. Cette machine est destinée à être utilisée dans un environnement sec et ne doit pas être utilisée ou rangée à l'extérieur lors de conditions humides.
-  **AVERTISSEMENT:** Il est indispensable de lire toutes les indications et informations figurant sur la machine avant de procéder à la mise en service. Vérifiez que tous les adhésifs et toutes les instructions sont placés aux endroits corrects. Les adhésifs et plaques de remplacement sont disponibles chez votre revendeur Clarke.
-  **AVERTISSEMENT:** Les surfaces humides peuvent être glissantes. Les solutions aqueuses et les détergents utilisés avec ce type de machine peuvent laisser des zones humides sur le sol, représentant un risque pour l'opérateur ou d'autres personnes. Placez toujours des panneaux d'avertissement " Attention " aux alentours de la zone dans laquelle vous utilisez la machine.
-  **AVERTISSEMENT:** L'élimination des eaux usées doit se faire dans le respect de l'environnement. Toute évacuation " sauvage " est illégale. Veuillez vous conformer strictement à la législation en vigueur dans votre commune , municipalité, département ou région. Informez-vous des dispositions légales en la matière et respectez-les. Vous ne devez jamais ignorer les risques de pollution qu'entraîne la mise en décharge de produits chimiques.
-  **AVERTISSEMENT:** Utilisez uniquement les brosses fournies avec cette machine et celles spécifiées dans le manuel d'utilisation. L'utilisation d'autres brosses risque de compromettre votre sécurité.
-  **PRÉCAUTION :** Ne pas utiliser cette machine comme tabouret ou escabeau. Ne pas l'utiliser comme moyen de transport ou comme meuble. Risque de blessures ou de dégâts.
-  **PRÉCAUTION :** La garantie sera annulée si d'autres pièces que les pièces d'origine Clarke Technology sont montées sur la machine. Utilisez toujours des pièces de rechange Clarke.
-  **PRÉCAUTION :** Cette machine est équipée de batteries batteries d'accumulateur au plomb. Elles doivent être mises au rebut de la manière appropriée pour protéger l'environnement.

## Introduction et caractéristiques techniques

### Introduction et caractéristiques techniques

Les modèles Focus S17/S20 et L17/L20 des autolaveuses Clarke sont des machines efficaces de nettoyage des sols de qualité supérieure. Le modèle Focus utilise une brosse (rotative) pour nettoyer un chemin de 43,2 cm et 50,8 cm de large ou 2 brosses (cylindriques) pour nettoyer un chemin de 43,2 cm de large. Une racle essuie le sol pendant que le moteur de l'aspirateur aspire la solution sale du sol - le tout en un seul passage.

Les modèles rotatif Focus S17/S20 et L17/L20 est fourni avec deux batteries de 12 volts, un chargeur de batterie, une brosse ou un porte-disque, et un manuel de l'opérateur.

Le modèle cylindrique Focus L17 est fourni avec deux batteries de 12 volts, un chargeur de batterie, deux brosses, et un manuel de l'opérateur.

Modèle	Focus S17 Rotative	Focus L17 Rotative
Alimentation	24 Volts CC, (2) batteries à cycle prolongé 12V 130AH liquide or (2) 12V 100AH gel	24 Volts CC, (2) batteries 12V 130AH liquide ou (2) batteries 12V 100AH gel cycle prolongé
Disque ou Brosse	Style roue à 3 ergots	Style roue à 3 ergots
Traction	Aide-brosse	1/3 HP (0,25 kW)
Vitesse traction avant	Ne s'applicable pas	Variable à 61 m/min
Vitesse traction arrière	Ne s'applicable pas	Variable à 43 m/min)
Protection de la batterie	Coupure de la brosse et de la solution en cas de tension faible	
Moteur aspiration	3/4 HP (0,56 kW) haute efficacité tangentielle 3 étapes	
Réservoir de solution	42 liters	
Niveau de solution	Indicateur calibré de niveau	
Réservoir de récupération	42 liters	
Indicateur de réservoir plein	Arrêt électrique	
Suceur parabolique	Type articulé avec rupture. Fonctionnement sans outils Largeur de 81 cm de la partie dure avec lame souple de 86 cm de large	
Fonctionnement du suceur	Sens inverse sur le sol et levier manuel 3 positions	
Largeur de bande traitée	43.2 cm	
Moteur brosse	3/4 HP (0,56 kW) 5,2:1 Boîte d'engrenage à couple élevé	
Taille brosse/disque	43.2 cm	
Vitesse de rotation des brosses	200 RPM	
Pression des brosses	0-40.8 kg	
Rétention solution brosse	Fibres de la brosse	
Roues motrices	20 cm x 5 cm (2) ; néoprène	
Roulette	8.9 cm x 3.2 cm	
Chargeur intégré	24 V CC, 10 Ampères, 115/60 ou 24 V CC., 10 Ampères, 230/50	
Pente de nettoyage	2%	
Longueur	123.8 cm	
Largeur (hors tout)	48.3 cm	
Hauteur	106.7 cm	
Poids avec batteries (130AH)	148.3 kg	214 kg
Poids embarqué avec batteries (130AH)	206 kg	156.5 kg
Ligne de visée (Hauteur de l'opérateur = 1,73m)	2.3 m	
Garantie	Machine 3 ans, réservoirs Polydur 8 ans, batteries 18 mois au prorata	

Modèle	Focus L17 Cylindrique
Alimentation	24 Volts CC, (2) batteries 12V 130AH liquide ou (2) batteries 12V 100AH gel cycle prolongé
Traction	1/3 HP (0,25 kW)
Vitesse traction avant	Variable à 61 m/min
Vitesse traction arrière	Variable à 43 m/min
Protection de la batterie	Coupure de la brosse et de la solution en cas de tension faible
Moteur aspiration	3/4HP (0,56 kW) haute efficacité tangentielle 3 étapes
Réservoir de solution	42 liters
Niveau de solution	Indicateur calibré de niveau
Réservoir de récupération	42 liters
Indicateur de réservoir plein	Arrêt électrique
Suceur parabolique	Type articulé avec rupture. Fonctionnement sans outils Largeur de 81 cm de la partie dure avec lame souple de 86 cm de large
Fonctionnement du suceur	Sens inverse sur le sol et levier manuel 3 positions
Largeur de bande traitée	43.2 cm
Moteur brosse	(2) 3/4 HP (0,56 kW)
Cepillo - 2 por máquina	(2) 10 cm
Vitesse de rotation des brosses	1000RPM
Pression des brosses	31.8 kg
Roues motrices	20 cm x 5 cm (2) ; néoprène
Roulette	8.9 cm x 3.2 cm
Chargeur intégré	24 V CC, 10 Ampères, 115/60 ou 24 V CC, 10 Ampères, 230/50
Pente de nettoyage	2%
Longueur	48 ¼" (122.6 cm)
Largeur	20" (50.8 cm)
Hauteur	106.7 cm
Poids avec batteries (130 AH)	163.3 kg
Poids embarqué avec batteries (130AH)	221 kg
Ligne de visée (Hauteur de l'opérateur = 1,73 m)	7.5 feet (2.3 m)
Garantie	Machine 3 ans, réservoirs Polydur 8 ans, batteries 18 mois au prorata

<b>Modèle</b>	<b>Focus S20 Rotative</b>	<b>Focus L20 Rotative</b>
Alimentation	24 Volts CC, (2) batteries à cycle prolongé 12V 130AH liquide or (2) 12V 100AH gel	24 Volts CC, (2) batteries 12V 130AH liquide ou (2) batteries 12V 100AH gel cycle prolongé
Disque ou Brosse	Style roue à 3 ergots	Style roue à 3 ergots
Traction	Aide-brosse	1/3 HP (0,25 kW)
Vitesse traction avant	Ne s'applicable pas	Variable à 61 m/min
Vitesse traction arrière	Ne s'applicable pas	Variable à 43 m/min)
Protection de la batterie	Coupure de la brosse et de la solution en cas de tension faible	
Moteur aspiration	3/4 HP (0,56 kW) haute efficacité tangentielle 3 étapes	
Réservoir de solution	42 liters	
Niveau de solution	Indicateur calibré de niveau	
Réservoir de récupération	42 liters	
Indicateur de réservoir plein	Arrêt électrique	
Suceur parabolique	Type articulé avec rupture. Fonctionnement sans outils Largeur de 81 cm de la partie dure avec lame souple de 86 cm de large	
Fonctionnement du suceur	Sens inverse sur le sol et levier manuel 3 positions	
Largeur de bande traitée	50.8 cm	
Moteur brosse	3/4 HP (0,56 kW) 5,2:1 Boîte d'engrenage à couple élevé	
Taille brosse/disque	50.8 cm	
Vitesse de rotation des brosses	200 RPM	
Pression des brosses	0-40.8 kg	
Rétention solution brosse	Fibres de la brosse	
Roues motrices	20 cm x 5 cm (2) : néoprène	
Roulette	8.9 cm x 3.2 cm	
Chargeur intégré	24 V CC, 10 Ampères, 115/60 ou 24 V CC., 10 Ampères, 230/50	
Pente de nettoyage	2%	
Longueur	123.8 cm	
Largeur (hors tout)	48.3 cm	
Hauteur	106.7 cm	
Poids avec batteries (130AH)	148.3 kg	214 kg
Poids embarqué avec batteries (130AH)	206 kg	156.5 kg
Ligne de visée (Hauteur de l'opérateur = 1,73 m)	2.3 m	
Garantie	Machine 3 ans, réservoirs Polydur 8 ans, batteries 18 mois au prorata	

## Transport de la machine

### Comment placer la machine dans un camion ou une camionnette

**⚠ AVERTISSEMENT:** Cette machine est lourde. N'essayez pas de la transporter ou de la déplacer sans aide. Il faut deux personnes pour la faire glisser le long d'une rampe de chargement. Déplacez la machine lentement. Ne tournez pas la machine sur la rampe. Ne la laissez jamais à l'arrêt sur un plan incliné. La rampe de chargement doit avoir une largeur minimale de 81 cm.

**⚠ AVERTISSEMENT:** La machine peut basculer si elle est en port-à-faux sur un escalier ou une rampe de chargement et provoquer des blessures ou des dégâts matériels. N'abandonnez la machine que si vous l'avez arrêtée sur une surface plane et si toutes les commandes sont en position "O" (arrêt).

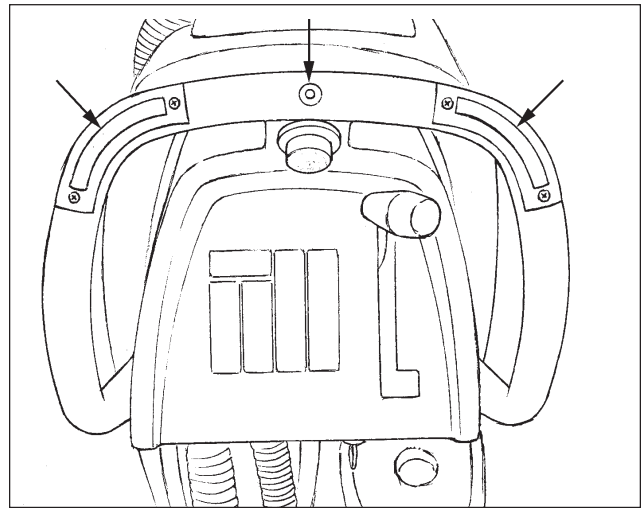


Figure #1

1. Assurez-vous que la rampe de chargement a au moins 2,5 m de long et 81 cm de large et qu'elle est suffisamment résistante pour supporter le poids de la machine.
2. Vérifiez que la rampe est propre et sèche.
3. Mettez la rampe en position.
4. Déposez l'ensemble du suceur, le dispositif de retenue de la brosse et la brosse ou le porte-disque avant de procéder au chargement. Alto recommande que le réservoir de solution et celui de récupération soient tous deux vides avant le chargement.
5. Sur les modèles L17/L20 uniquement, tournez l'interrupteur à clé sur « ON » et appuyez sur le bouton vert « ON ».
6. Amenez la machine sur une surface plane face à la rampe, à 2 m de celle-ci.
7. Mettez le bouton de sélection de la vitesse sur vitesse maximale (modèles L17/L20 uniquement)
8. Pour les modèles L17/L20 : appuyez sur l'un des interrupteurs AV/AR tout en poussant sur le bouton blanc marche arrière. En marche arrière, guidez la machine sur la rampe. Voir figure 1.
9. Pour les modèles S17/S20 : guidez la machine sur la rampe en marche arrière.
10. Mettez la machine sur « OFF », et sur les modèles L17/L20, tournez l'interrupteur à clé sur « OFF ».

## Transport de la machine

11. **Arrimez la machine au véhicule** Clarke Technology recommande de placer une courroie autour de la partie supérieure de la machine et une autre pour empêcher la machine de glisser vers l'avant ou vers l'arrière. Sinon, la machine risquerait de basculer. Trois points d'attache sont fournis sur le châssis en acier de la machine pour bloquer la machine (voir figure 2a).

### **Comment décharger la machine d'un camion ou d'une camionnette**

1. Assurez-vous qu'il n'y a aucun obstacle dans la zone de déchargement.
2. Vérifiez que la rampe a au moins 2,5 m de long et 80 cm de large et qu'elle est suffisamment résistante pour supporter le poids de la machine.
3. Vérifiez que la rampe est propre et sèche.
4. Mettez la rampe en position.
5. Désarrimez la machine.

**⚠ AVERTISSEMENT: Cette machine est lourde. Il faut deux personnes pour la manoeuvrer sur une rampe de chargement.**

6. Pour les modèles S17/S20 : deux personnes sont nécessaires pour faire glisser la machine le long de la rampe. Nous recommandons de décharger la machine en marche avant.
7. Sur les modèles L17/L20 uniquement, tournez l'interrupteur à clé sur « ON » et appuyez sur le bouton vert « ON ».
8. Mettez le bouton de commande de la vitesse sur le réglage minimum. Amenez lentement et prudemment la machine au sommet de la rampe et commencez à descendre (Modèles L17/L20 uniquement).
9. La machine va avancer si vous enfoncez indifféremment l'interrupteur de droite ou de gauche (AV/AR). (Modèles L17/L20 uniquement). Voir figure 2.
10. Lorsque la machine commence à descendre la rampe, enfoncez l'interrupteur AV/AR de façon à maintenir une vitesse lente (Modèles L17/L20 uniquement).
11. Après le déchargement, remplacez l'ensemble du suceur, le dispositif de retenue de brosse, et la brosse ou le porte-disque. La machine est alors prête à l'emploi.

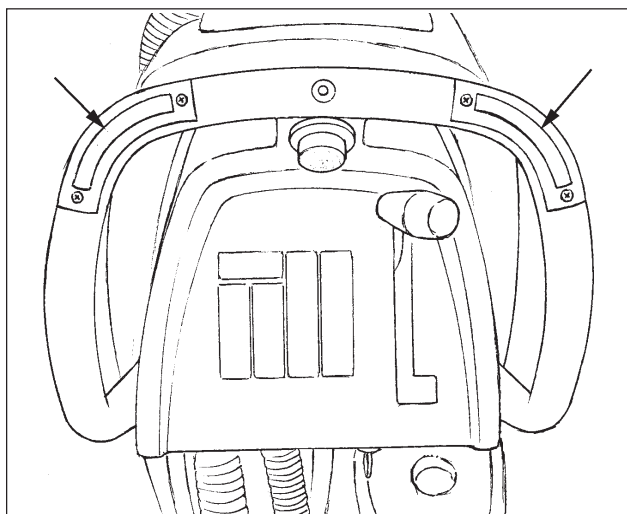


Figure #2

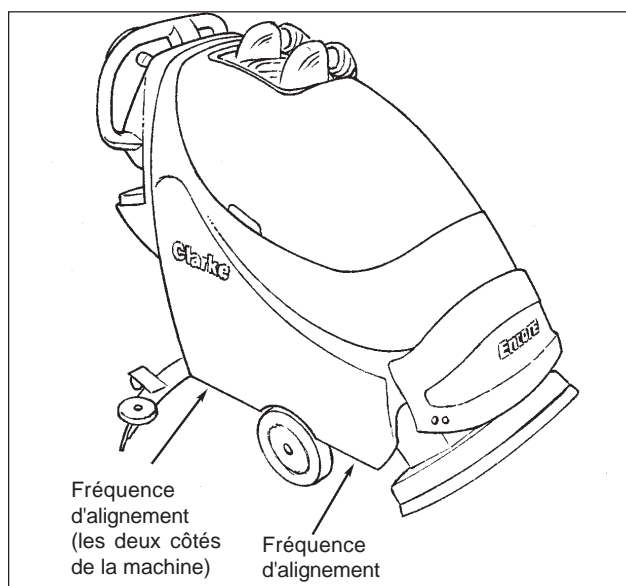
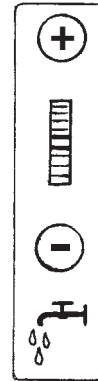


Figure #2a

**SYMBOLES UTILISÉS POUR S17 et L17**



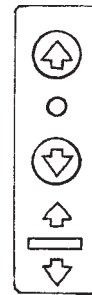
**Avertissement**



**Commande de la solution**



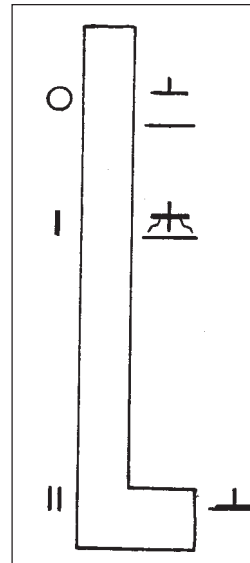
**Alimentation électrique**



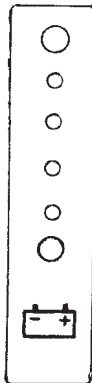
**Position haute/basse de la brosse**



**Commande de la vitesse de traction (Classe L)**



**Contrôle Aspirateur/Racle**



**Niveau de la batterie**



**Indicateur d'alimentation CA**



## Commandes

**Indicateur d'alimentation électrique (Voir Figure 3, Article « A »)**  
Un voyant jaune sera illuminé lorsque le chargeur est branché à une prise électrique CA. Le câble électrique doit être débranché et rangé avant de faire fonctionner la machine.

**Interrupteur à clé (Voir Figure 3, Article « B »)**  
L'interrupteur à clé est standard sur les modèles « L ». Il est utilisé principalement pour empêcher une utilisation non autorisée en retirant la clé. Pour mettre le panneau de commande sur « ON », l'interrupteur à clé doit être tourné dans le sens des aiguilles d'une montre, puis le voyant vert « ON » devra être appuyé (voir article « C »). Pour mettre le panneau de commande sur « OFF », tournez l'interrupteur à clé dans le sens inverse des aiguilles d'une montre.

**Boutons ON/OFF (Voir Figure 3, Article « C »)**  
Appuyer sur le voyant vert allume l'alimentation au panneau de commande (si la machine est équipée d'un interrupteur à clé, tournez d'abord la clé dans le sens des aiguilles d'une montre). Appuyer sur le bouton rouge éteindra l'alimentation au panneau de commande (si la machine est équipée d'un interrupteur à clé, l'alimentation peut également être éteinte en tournant la clé dans le sens inverse des aiguilles d'une montre.)

N.B. : Le « modèle L » de la machine est équipé d'une fonction d'auto-diagnostic et arrêtera parfois de fonctionner si une panne est détectée. Une fois la panne corrigée, la machine peut être réinitialisée en mettant l'alimentation sur « OFF » puis de nouveau sur « ON ». Si ceci ne corrige pas le problème, contactez immédiatement votre personnel d'entretien agréé.

N.B. : Cette machine est équipée d'un dispositif d'économie d'énergie de la batterie. Si la machine n'est pas utilisée pendant plus de 16 minutes, elle s'éteindra automatiquement.

**Niveau de la batterie (Voir Figure 3, Article (D))**  
Le niveau de la batterie indique la charge relative du bloc porte-piles. Le compteur a deux voyants verts, un jaune et un rouge. Lorsque la lumière passe au « rouge », la (les) brosse(s) et le flux de solution s'arrêteront. Toutes les autres fonctions resteront opérationnelles. Les batteries doivent alors être rechargées immédiatement pour prévenir la réduction de la durée de vie du bloc porte-piles.

**Poignées de commande (figure 3, E)**  
Les poignées de commande se trouvent à l'arrière de la machine. Elles servent à contrôler la direction de la machine.

**Sélecteur de la vitesse de traction (figure 3, F)**  
Pour augmenter la vitesse, tourner le bouton dans le sens horaire. La machine n'effectuera pas de translation lorsque le bouton est tourné complètement dans le sens inverse des aiguilles d'une montre.

**Interrupteur Avant/Arrière (Voir Figure 3, Article « G »)**  
**Sur les modèles de translation « L » uniquement** - L'interrupteur avant/arrière démarre le moteur de translation vers l'avant et lorsque la tête de la brosse est en position abaissée ou de récurage, il active également le(s) moteur(s) de la brosse et le flux de solution. Il y a un retard de deux secondes avant que le(s) moteur(s) de la brosse s'arrête(nt) après le déclenchement de l'interrupteur. L'interrupteur de droite ou celui de gauche peut être utilisé. Utilisez l'un des deux interrupteurs conjointement avec l'interrupteur blanc de marche arrière pour renverser la marche du moteur de translation.

**Modèle « S »** - Sur les modèles non-translation, ces interrupteurs activent le(s) moteur(s) de la brosse et le flux de solution lorsque la tête de la brosse est en position abaissée ou de récurage

**Interrupteur de marche arrière (figure 3, H)**  
**Modèle autotracté "L" uniquement**  
La commande de marche arrière utilisée avec l'un des commutateurs AV/AR permet à la machine de changer de direction. La vitesse de marche arrière est égale à 70% de la vitesse de marche avant.

**Boutons du moteur de la brosse (Voir Figure 3, Article « I »)**  
Pour abaisser la tête de la brosse et activer le(s) moteur(s) de la brosse et le flux de solution, appuyez sur le bouton bas et tenez-le appuyé jusqu'à ce que le voyant vert soit illuminé. Continuez à tenir le bouton bas appuyé pour une pression supplémentaire de la brosse ou jusqu'à ce que la tête de la brosse s'arrête. Le(s) moteur(s) de la brosse et la solution fonctionneront alors lorsque l'un des deux ou les deux boutons avant/arrière sont appuyés. Pour désactiver le(s) moteur(s) de la brosse et le flux de solution, soulevez la tête de la brosse en appuyant sur le bouton et en tenant appuyé jusqu'à ce que le voyant vert s'éteigne.

**Boutons de contrôle de la solution (Voir Figure 3, Article « J »)**

Les boutons de contrôle de la solution régulent le flux de solution chimique au sol. Lorsque vous allumez la machine, le réglage de solution s'ajustera automatiquement au réglage moyen (consultez votre ingénieur agréé Clarke si un différent réglage est souhaité). Pour augmenter le flux, appuyez sur le bouton supérieur (+) et tenez-le appuyé, ou appuyez sur lui plusieurs fois. La barre verte se déplacera vers le haut au fur et à mesure que le flux augmente. Pour faire décroître le flux, appuyez sur le bouton inférieur (-) et tenez-le appuyé, ou appuyez sur lui plusieurs fois. La barre verte se déplacera vers le bas au fur et à mesure que le flux décroît. Lorsque la barre atteint le réglage le plus bas, le flux de solution s'éteindra (« OFF »).

N.B. : La solution ne s'écoulera que lorsque la tête de la brosse est abaissée et qu'elle se trouve en position d'opération.

**Interrupteur du moteur de l'aspirateur (Voir Figure 3, Article « K »)**  
Pour activer le moteur de l'aspirateur, abaissez la poignée de la racle. La poignée a trois positions. La position la plus basse est celle de l'aspiration de l'eau. La position centrale est utilisée pendant le transport pour vider le tuyau d'aspiration. La position supérieure est la position « OFF » du moteur de l'aspirateur.

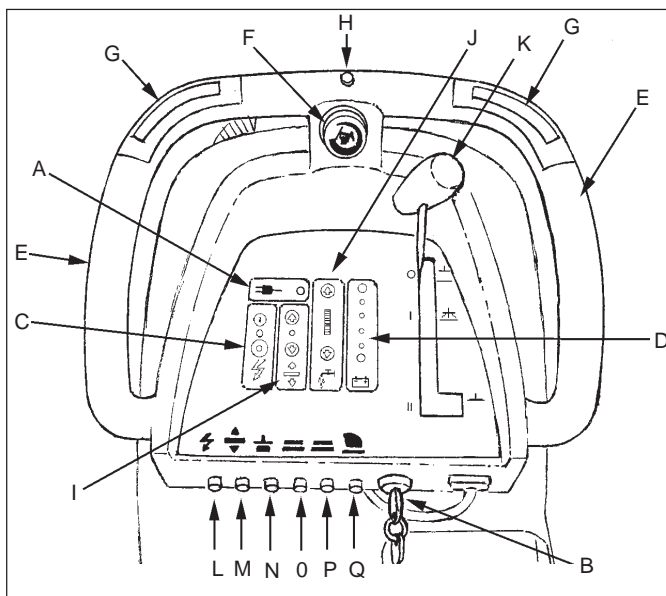


Figure 3

## Commandes

### **Coupe-circuits (Figure 3, Articles « L », « M », « N », « O », « P » & « Q »)**

Les boutons de réinitialisation des coupe-circuits sont placés sur la poignée de commande inférieure. Les coupe-circuits sont placés de la manière suivante :

- Article « L » - Circuits de commande (5 ampères)
- Article « M » - Module de commande et actionneur de la tête (5 ampères)
- Article « N » - Moteur de l'aspirateur (25 ampères)
- Article « O » - Moteur de la brosse rotatrice (40 ampères) or
- Moteur de la brosse cylindrique (25 ampères)
- Article « P » - Moteur de la brosse cylindrique (25 ampères)
- Article « Q » - Moteur de translation (25 ampères) (L17 seulement)

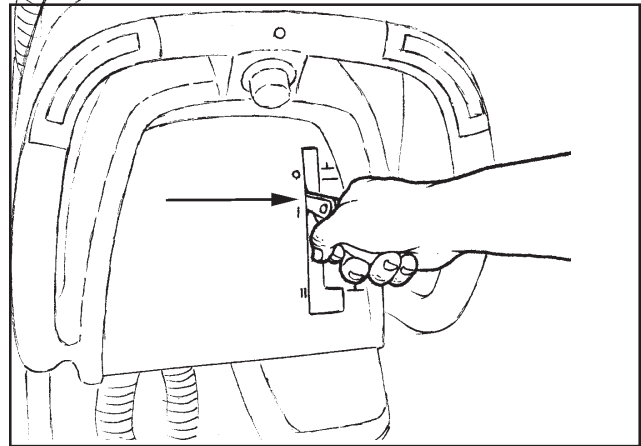


Figure 4

## Commandes et caractéristiques

### **Levier de relevage du suceur (figures 4 et 5)**

La poignée d'élévation de la racle est située sur la poignée de commande. Elle est utilisée pour élever et abaisser la racle. Le moteur de l'aspirateur est allumé lorsque la poignée est abaissée en position centrale ou inférieure.

### **Flotteur d'aspiration (figure 6)**

Le flotteur d'arrêt du moteur d'aspiration se trouve dans le réservoir de récupération. Il arrête automatiquement le moteur d'aspiration lorsque le réservoir de récupération est rempli. **REMARQUE : Si vous constatez la présence d'une quantité importante de mousse dans le réservoir de récupération, ajoutez un anti-mousse dans le réservoir de solution.**

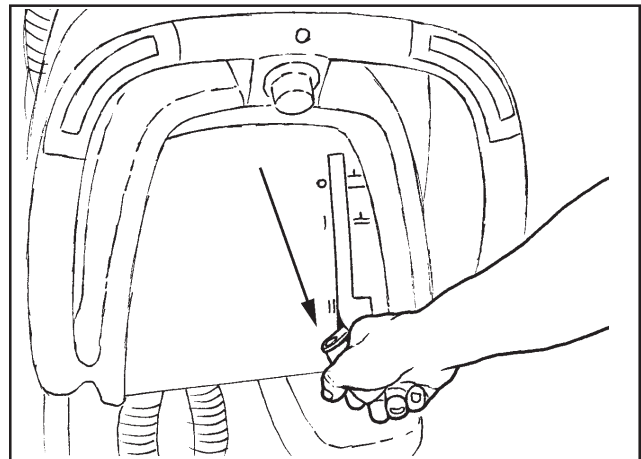


Figure 5

### **Frein de stationnement (option)**

**REMARQUE** Des dégâts au moteur de l'aspirateur peuvent être provoqués par de la mousse pénétrant dans le moteur. Le frein doit être utilisé lorsque la machine est utilisée sur des surfaces avec un gradient supérieur à 2%.

Le frein de stationnement bloque la machine à l'arrêt.

**⚠ PRECAUTION:** Ne jamais engager le frein de stationnement lorsque la machine est en mouvement.

Le frein est placé sur la droite, à l'arrière de la machine. Appuyez sur la pédale pour activer le frein et soulevez la pédale pour désengager.

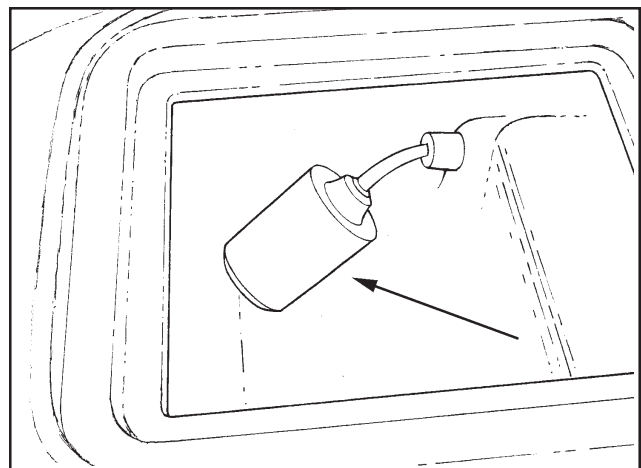


Figure 6

## Préparation de la machine avant la mise en service

Les machines Focus 17/20 utilisent des batteries de 12 volts. Les batteries se trouvent dans le compartiment à batteries, au-dessous du réservoir de récupération. Il est recommandé de retirer le réservoir de récupération lors de l'installation des batteries.

### Comment installer les batteries

Pour installer les batteries, suivez la procédure suivante:

1. Éteignez la machine. Engagez le frein (s'il y en a un).
2. Assurez-vous que le réservoir de récupération est vide. N.B. : Le réservoir de récupération sur le modèle Focus 17/20 est conçu pour être retiré et nettoyé facilement.
3. Déconnectez les flexibles du couvercle de récupération (Voir Figure 7.)
4. Décrochez la valve du tuyau d'évacuation du réservoir de récupération de son crochet de support et déposez l'extrémité libre sur le sol (Voir figure 8.)

**AVERTISSEMENT:** Avant de soulever ou de retirer le réservoir de récupération, assurez-vous que le réservoir est vide. Ne pas effectuer d'entretien quelconque sur la machine lorsque le réservoir de récupération est en position ouverte. Le réservoir pourrait être cogné et se refermer accidentellement.

5. Déconnectez le connecteur électrique bleu de flottaison (Voir Figure 9).
6. Décrochez la pince d'attache du réservoir de récupération (Voir Figure 10).
7. Déverrouillez et replacez le levier dans le réservoir de solution et refermez le réservoir de récupération.
8. Lorsque vous poussez le réservoir vers l'arrière, soulevez et retirez avec précaution le réservoir de récupération de la machine. Laissez le tuyau d'évacuation de la récupération fixé au réservoir de récupération.

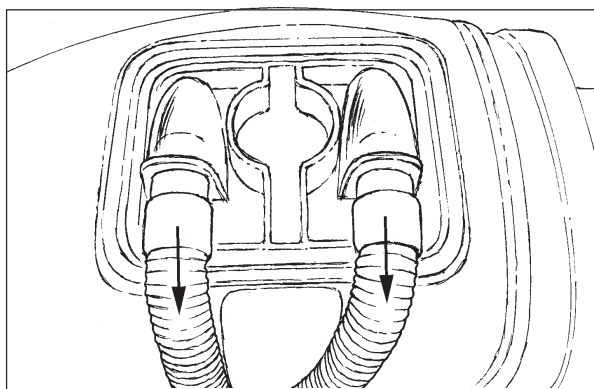


Figure 7

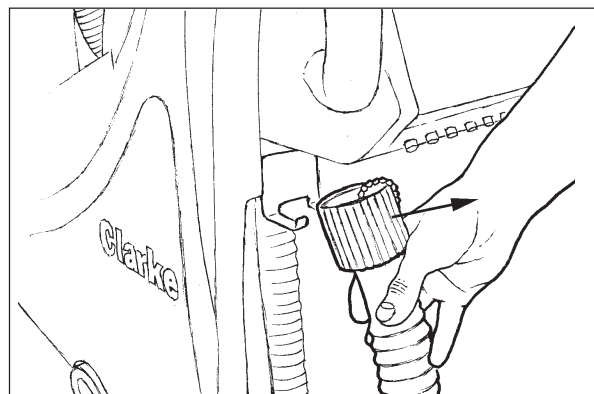


Figure 8

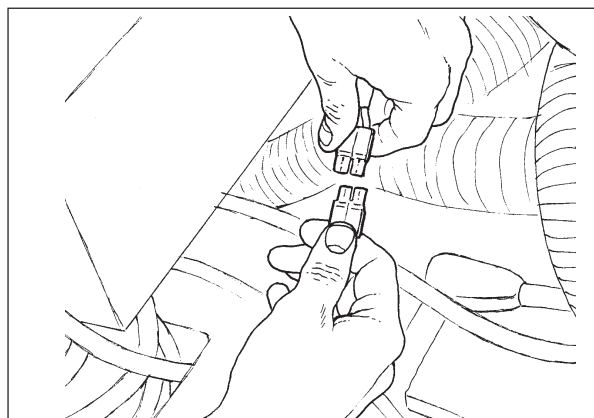


Figure 9

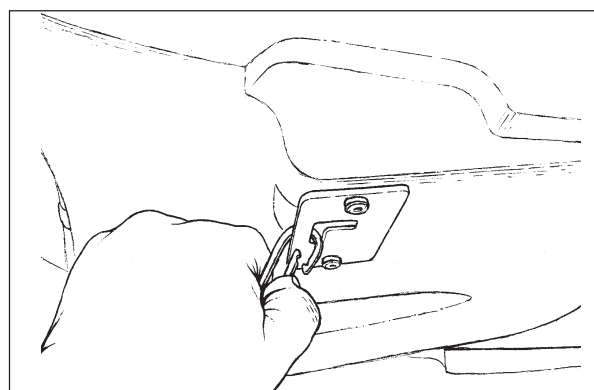


Figure 10

## Préparation de la machine avant la mise en service

9. Placez les batteries dans le compartiment indiqué à la Figure 11.

**⚠ AVERTISSEMENT: Les batteries sont lourdes. Il existe un risque de blessure si vous soulevez les batteries sans aide. Faites-vous aider pour soulever les batteries.**

**⚠ AVERTISSEMENT: Les batteries constituent un danger potentiel. Portez toujours des lunettes et vêtements de protection pour tout travail près des batteries. NE FUMEZ PAS!**

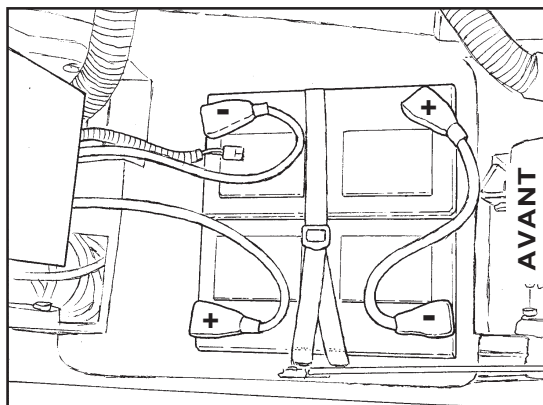


Figure 11

10. Connecter les câbles qui relient les batteries et installer le long câble de connexion de l'ensemble des batteries comme indiqué à la figure 11.

11. Fixez les batteries en place à l'aide des courroies des batteries (Voir Figure 12).

12. Réinstallez le réservoir de récupération en vous assurant que la cheville pivotante du réservoir de récupération est installée au-dessous de la plaque métallique sur le réservoir de solution. (Voir figure 13A).

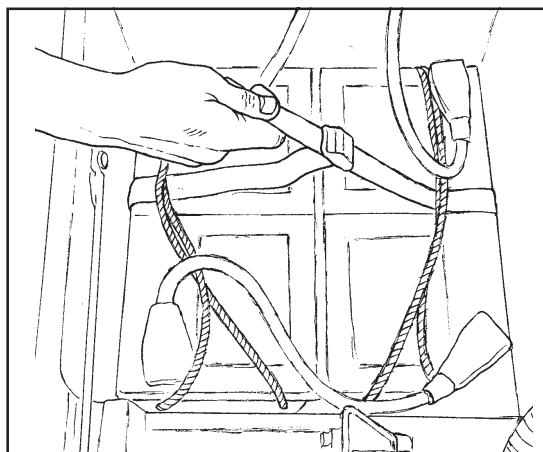


Figure 12

13. Ré-attachez la pince sur le réservoir de récupération (Voir figure 10.)

**⚠ AVERTISSEMENT: Le réservoir de récupération peut tomber de la machine lorsque vous ouvrez le réservoir ou que vous faites fonctionner la machine si le réservoir de récupération n'est pas correctement installé. Assurez-vous que la cheville pivotante du réservoir de récupération se trouve au-dessus de la plaque métallique sur le réservoir de solution et que la pince est fixée au réservoir de récupération.**

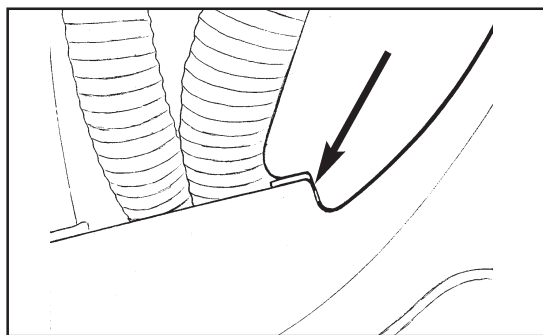


Figure 13A

14. Réinstallez le réservoir de récupération et les flexibles en s'assurant que les tuyaux d'aspiration et de la racle sont positionnés sur le dessus du tuyau d'évacuation (Voir Figure 13B).

15. Reconnectez le connecteur bleu de flottaison (Voir figure 9, page 12).

16. Chargez les batteries avant d'utiliser la machine.

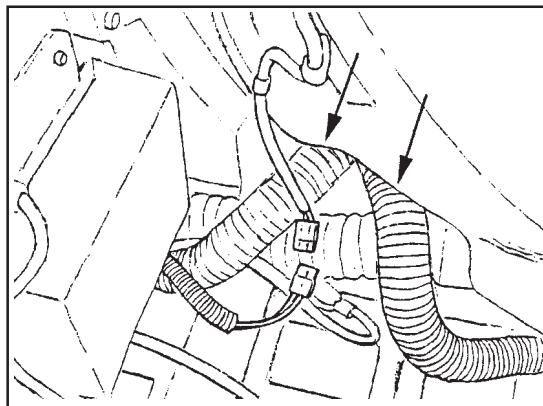


Figure 13B

## Préparation de la machine avant la mise en service

### Entretien des batteries

Les batteries à accumulateurs fournissent l'alimentation électrique nécessaire au fonctionnement de la machine. Un entretien préventif est nécessaire pour ce type de batteries.

Pour conserver les batteries en bon état, suivez les instructions suivantes :

1. Maintenez un niveau d'acide correct. Le niveau de remplissage requis se situe à environ 6 mm du dessous du bouchon de chaque cellule et au-dessus de la partie supérieure des plaques. Vérifiez le niveau de l'acide chaque fois que vous mettez les batteries en charge. Voir figure 14.

**REMARQUE :** Vérifiez le niveau d'acide avant de procéder à l'opération de charge des batteries. Vérifiez que chaque plaque est bien immergée. Ne remplissez pas complètement les cellules avant de charger la batterie. L'acide se dilate lors de la charge et pourrait déborder. Remplissez les cellules en ajoutant de l'eau distillée après l'opération de charge.

**⚠ PRECAUTION:** Les batteries seront irrémédiablement endommagées si le niveau d'acide ne recouvre pas les plaques. Maintenez un niveau correct d'acide.

**⚠ PRECAUTION:** Pour éviter tout endommagement de la machine ainsi qu'une décharge par le couvercle des batteries, ne jamais remplir au delà du niveau conseillé (6 mm du bouchon de chaque cellule). Essuyer soigneusement les débordements d'acide sur la machine ou le couvercle des batteries. Ne jamais ajouter d'acide dans une batterie après placement.

**⚠ PRECAUTION:** L'eau de distribution peut contenir des agents nocifs pour les batteries. Utilisez uniquement de l'eau distillée pour remplir les batteries.

2. Les couvercles des batteries doivent toujours être propres et secs. Veillez à les maintenir propres. Pour nettoyer les couvercles des batteries, utilisez un chiffon humide, imbibé d'une solution d'ammoniaque ou de bicarbonate de soude à faible concentration. Pour nettoyer les bornes et les connecteurs, utilisez les outils adéquats. Veillez à ce qu'aucune goutte de solution à l'ammoniaque ou au bicarbonate ne pénètre dans les batteries.
3. Les batteries doivent toujours être chargées.
4. Pour vidanger le compartiment des batteries (voir figure 15)
  - a. Portez toujours des vêtements et lunettes de protection.
  - b. Ajoutez une solution faible d'ammoniaque ou de bicarbonate de soude dans le compartiment de la batterie pour neutraliser tout acide ayant débordé.
  - c. Tirez le flexible de vidange du dessous de la boîte-pont.
  - d. Placez la main derrière la bride et ouvrez la vanne.
  - e. Lorsque la vidange est terminée, refermez la vanne.
  - f. Remplacez la vanne et le flexible sous la boîte-pont.
  - g. Neutralisez soigneusement tout débordement d'acide à l'ammoniaque ou au bicarbonate de soude.

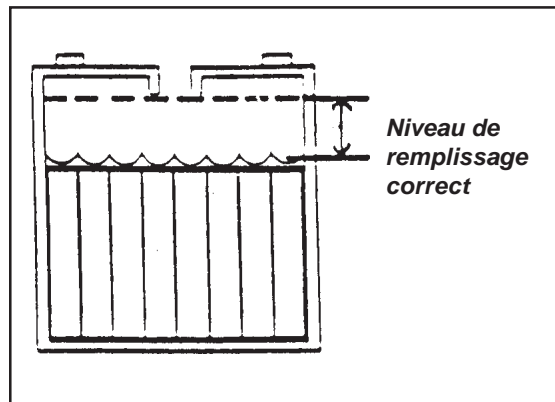


Figure 14

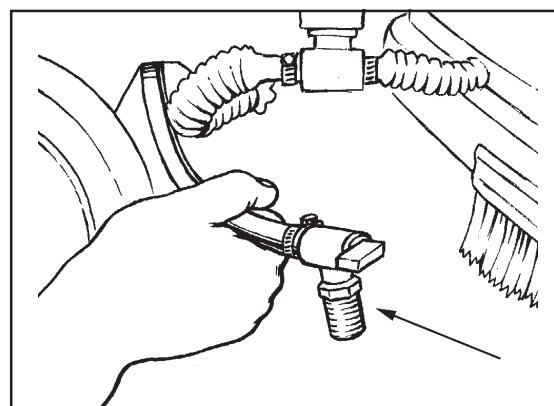


Figure 15



## Préparation de la machine avant la mise en service

### Procédure de charge des batteries

**⚠ AVERTISSEMENT:** Si vous chargez les batteries dans un local insuffisamment ventilé, vous risquez de provoquer une explosion. Pour éviter toute explosion, veillez à la bonne aération du local où vous chargez les batteries.

**⚠ AVERTISSEMENT:** Les batteries acide/plomb produisent des gaz explosifs. Veillez à ce qu'il n'y ait ni flamme ni étincelle aux alentours des batteries. **NE FUMEZ PAS.**

Pour charger les batteries, procédez de la façon suivante :

1. Placez la machine sur une surface plane avec une ventilation adéquate.
2. Engagez le frein s'il y en a un.
3. Coupez l'alimentation au panneau de commande en appuyant sur le bouton rouge « OFF ». Si la machine est équipée d'un interrupteur à clé, tournez la clé dans le sens inverse des aiguilles d'une montre en position « OFF ».
4. Avant de charger les batteries, le compartiment à batteries doit être ventilé. Pour ventiler le compartiment, le réservoir de récupération doit être ouvert.

**DANGER:** Avant de soulever ou de retirer le réservoir de récupération, assurez-vous que le réservoir est vide. Ne pas effectuer d'entretien quelconque sur la machine lorsque le réservoir de récupération est positionné ouvert. Le réservoir pourrait être cogné et se refermer accidentellement.

6. Les modèles Focus 17/20 est équipé d'un chargeur intégré placé derrière le réservoir de récupération (Voir Figure 17). Le chargeur est un chargeur 3 à étapes conçu pour maximiser la durée de vie de la batterie. Le câble d'alimentation CA au chargeur intégré est situé dans son compartiment de rangement au-dessous de la poignée de commande à l'arrière de la machine (Voir Figure 16). Tirez le câble du compartiment de rangement.
7. Connectez le chargeur à une prise murale monophasée (3 câbles) correctement mise à la terre. N.B. : Lorsque le chargeur est branché à la prise murale, le voyant jaune sera illuminé sur le panneau de commande à côté du symbole de la prise et le chargeur commencera alors à se recharger (voir Figure 3, article A).

#### Séquence de chargement en 3 étapes :

- Étape Volume - À l'étape Volume du chargement, le voyant rouge est illuminé sur le chargeur (Voir Figure 18). Pendant cette étape, le chargeur fournit sa puissance ampère totale aux batteries. Il continuera à charger les batteries à ce taux jusqu'à ce qu'elles atteignent environ 75% de leur capacité.

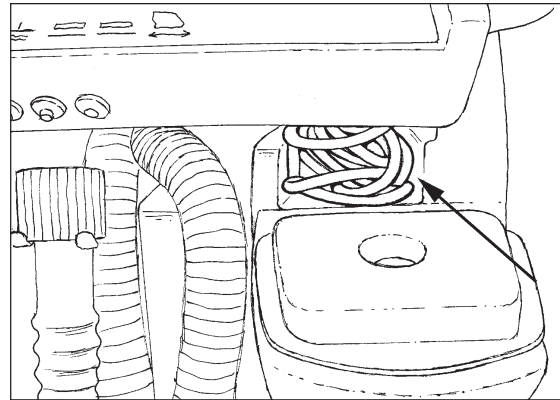


Figure 16

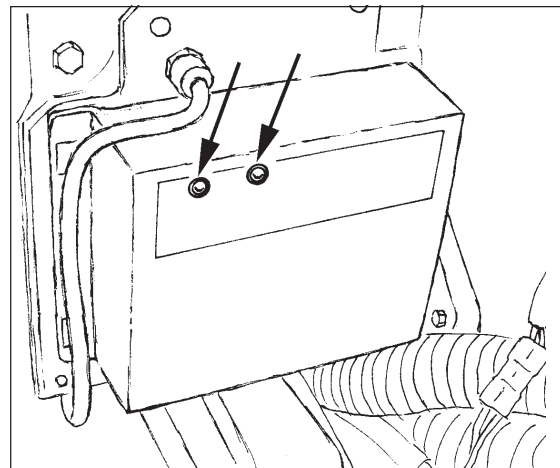


Figure 17



## Préparation de la machine avant la mise en service

- **Étape d'Absorption** - À l'étape d'absorption, les voyants rouge et vert seront illuminés sur le chargeur (Voir Figure 17). Pendant cette étape, le chargeur maintient une tension constante et laisse les batteries absorber la charge à leur vitesse propre.
  - **Étape de Stabilité et de Maintenance** - À l'étape de maintenance, le voyant rouge s'éteint et seul le voyant vert sera illuminé sur le chargeur (Voir Figure 17). Pendant cette étape, le chargeur applique une tension plus faible et étroitement régulée afin de maintenir une charge complète et d'empêcher que les batteries se déchargent. Les batteries peuvent être connectées indéfiniment sans risquer de s'abîmer.
8. Débranchez le câble d'alimentation du chargeur de la prise murale avant d'alimenter le panneau de commande sur la machine. Rangez le câble d'alimentation du chargeur dans le compartiment de rangement placé au-dessous de la poignée de commande (Voir Figure 16).
  9. Déverrouillez et replacez le levier dans le réservoir de solution et refermez le réservoir de récupération une fois que la charge est terminée.

**N.B. :** Il n'est pas nécessaire de retirer l'assemblage du boîtier de la brosse lorsque vous retirez ou installez la brosse ou le porte-disque. Pour un meilleur accès à la brosse ou lorsque vous faites monter la machine sur une rampe, l'assemblage du boîtier de la brosse peut être retiré. Pour retirer l'assemblage du boîtier de la brosse, tirez vers l'extérieur la tige sur ressort située sur le côté gauche du boîtier, puis tirez, vers le haut et vers l'extérieur, l'assemblage du boîtier de la brosse (Voir Figure 18). Réinstallez l'assemblage du boîtier de la brosse dans l'ordre inverse, en s'assurant que la barrette dans le boîtier de la brosse est insérée dans les deux fentes situées dans le bâti du moteur et que la tige sur ressort est fixée en position (Voir Figure 19).

### **Pose de la brosse rotatrice ou du porte-disque (s'ils sont installés)**

Pour installer les brosses ou les porte-disques sur la machine, respectez la procédure suivante :

1. Tournez la clé dans le sens inverse des aiguilles d'une montre (modèles « L » seulement). Appuyez sur le bouton vert « ON ».
2. Soulevez la tête de la brosse en appuyant sur l'interrupteur d'élévation de la brosse et en le tenant appuyé jusqu'à ce que la tête de la brosse soit complètement élevée et tournée dans la bonne position (Voir Figure 20).
3. Appuyez sur le bouton rouge « OFF » ou tournez l'interrupteur à clé dans le sens inverse des aiguilles d'une montre sur les machines équipées d'une clé.
4. Placez une brosse ou un disque au-dessous de la plaque du moteur de la brosse et alignez les ergots du moteur sur les rainures du cardan de la brosse.
5. Poussez la brosse vers le haut et tournez dans le sens contraire au sens de rotation de récurage jusqu'à ce que les ergots soient bloqués (Voir Figure 20).
6. Réinstallez le boîtier de la brosse s'il a été retiré.



#### **DANGER:**

**Si vous tentez d'utiliser une machine avant qu'elle ne soit complètement montée, vous risquez de vous blesser ou de provoquer des dégâts matériels. Ne mettez pas la machine en service avant qu'elle ne soit complètement montée. Vérifiez soigneusement l'état de la machine avant chaque utilisation.**

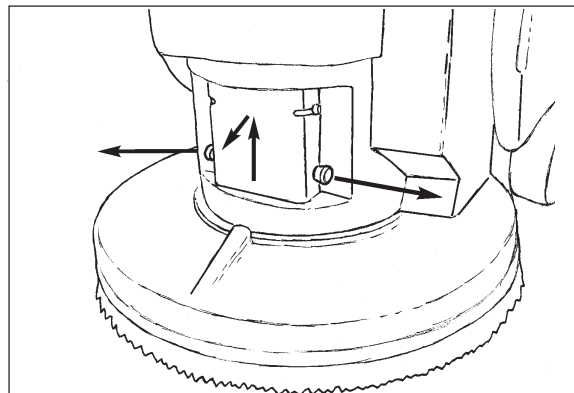


Figure 18

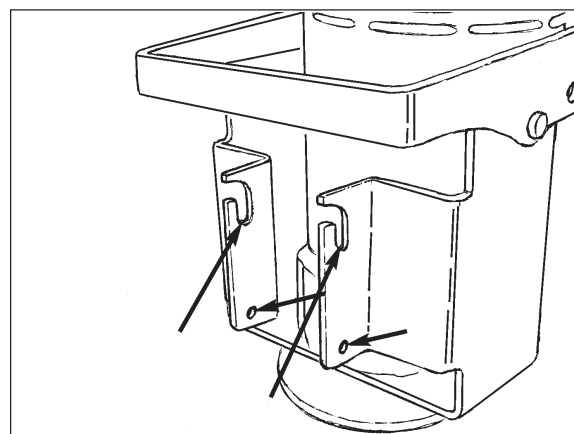


Figure 19

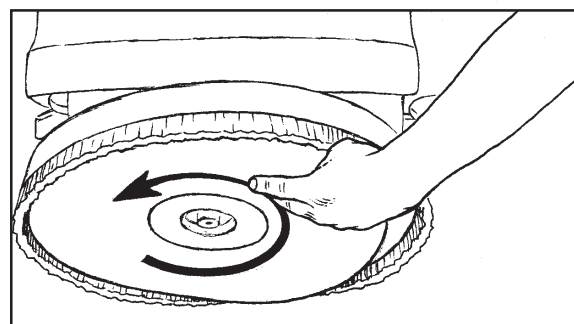


Figure 20

## Préparation de la machine avant la mise en service

### Dépose de la brosse rotatrice ou du porte-disque (s'ils sont installés)

Pour retirer la brosse ou le porte-disque de la machine, respectez la procédure suivante :

1. Tournez l'interrupteur à clé dans le sens des aiguilles d'une montre (modèles « L » seulement). Appuyez sur le bouton vert « ON ».
2. Soulevez la tête de la brosse en appuyant sur l'interrupteur d'élévation de la brosse et en le tenant appuyé jusqu'à ce que la tête de la brosse soit complètement élevée et tournée dans la bonne position.
3. Appuyez sur le bouton rouge « OFF » ou tournez l'interrupteur à clé dans le sens inverse des aiguilles d'une montre sur les machines équipées d'une clé.
4. Pour retirer la brosse, faites tourner la brosse dans la même direction que le sens de récurage d'un coup sec jusqu'à ce que la brosse se détache (Voir Figure 21).
5. Réinstallez le boîtier de la brosse s'il a été retiré.

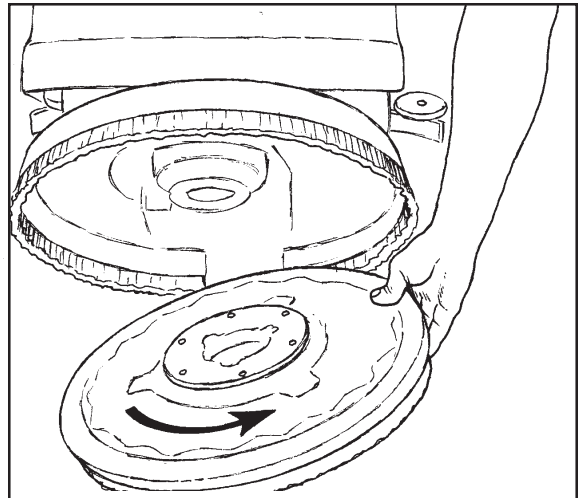


Figure 21

### Changement ou rotation des brosses cylindriques (si elles sont installées)

Pour installer ou faire tourner les brosses sur la machine, respectez la procédure suivante :

1. Tournez l'interrupteur à clé dans le sens des aiguilles d'une montre (modèles « L » seulement). Appuyez sur le bouton vert « ON ».
2. Soulevez la tête de la brosse en appuyant sur l'interrupteur d'élévation de la brosse et en le tenant appuyé jusqu'à ce que la tête de la brosse soit complètement élevée et tournée dans la bonne position.
3. Appuyez sur le bouton rouge « OFF » ou tournez l'interrupteur à clé dans le sens inverse des aiguilles d'une montre sur les machines équipées d'une clé.
4. Allez à l'avant de la machine et retirez la vis à oreilles de la porte de la brosse (figure 22).
5. Abaissez la porte d'environ 1 cm et retirez de l'axe la porte et l'assemblage du support en les faisant glisser (figure 23).
6. Retirez la cale de la brosse et la brosse en les faisant glisser de l'axe de la brosse (figure 24).
7. Faites tourner la brosse ou remplacez-la.
8. Faites glisser la brosse sur l'axe et faites tourner doucement jusqu'à ce que les griffes d'entraînement soient alignées sur les fentes de la brosse. Poussez la brosse pour la faire entrer complètement.
9. Installez la cale de la brosse sur l'axe.
10. Faites glisser sur l'axe l'assemblage de support de la porte de la brosse.
11. Soulevez la porte et fixez la vis à oreilles.

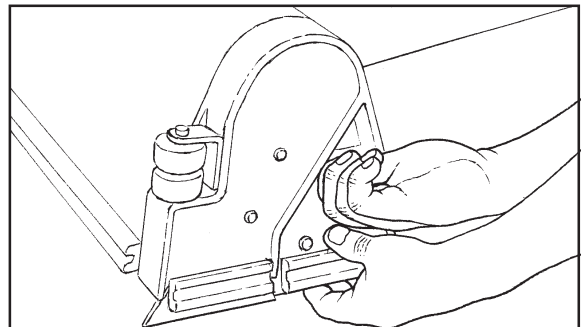


Figure 22

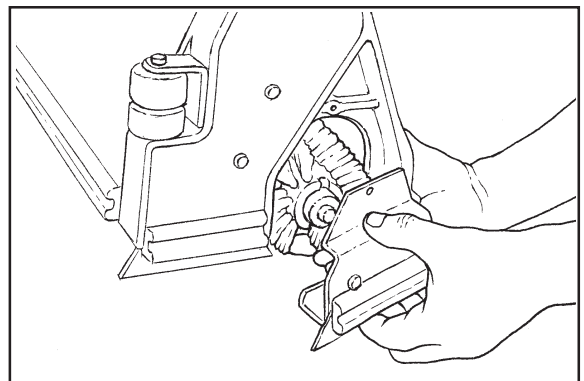


Figure 23

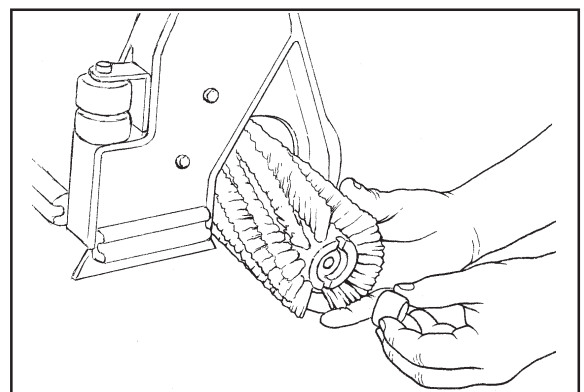


Figure 24

**⚠ DANGER:** Si vous tentez d'utiliser une machine avant qu'elle ne soit complètement montée, vous risquez de vous blesser ou de provoquer des dégâts matériels. Ne mettez pas la machine en service avant qu'elle ne soit complètement montée. Vérifiez soigneusement l'état de la machine avant chaque utilisation.

## Mise en service de la machine

### Fonctionnement du suceur

Le suceur racle le sol tandis que le moteur d'aspiration aspire la solution d'eau sale. Abaissez ou relevez la poignée de commande du suceur à la main. Pour faire fonctionner le suceur, procédez comme suit :

1. Pour abaisser le suceur et faire démarrer le moteur d'aspiration, poussez le levier du suceur vers la droite et abaissez-le. Voir figure 25.
2. Pour relever le suceur, remplacez le levier en position haute. Voir figure 26.

**REMARQUE:** La position centrale permet au moteur d'aspiration de continuer à tourner alors que le suceur n'est plus en contact avec le sol, ceci permet d'éviter les coulures d'eau sale restant dans le flexible d'aspiration. C'est également la position dans laquelle le suceur doit se trouver lorsque la machine fonctionne en marche arrière.

### Remplissage du réservoir de solution

Le réservoir de solution est rempli à l'arrière de la machine (Voir figure 27). Pour le remplir, respectez la procédure suivante :

1. Ajoutez la quantité nécessaire de nettoyant au réservoir de solution, en suivant les instructions figurant sur le récipient.
2. Retirez le couvercle de la solution et remplissez d'eau le réservoir de solution.

**⚠ AVERTISSEMENT:** Les solutions aqueuses ou les nettoyants utilisés avec ce type de machine peuvent laisser des zones humides sur la surface nettoyée. Ces zones constituent un danger potentiel pour l'opérateur ou pour d'autres personnes. Placez toujours des panneaux " PRECAUTION " sur le pourtour de l'espace que vous nettoyez.

**⚠ AVERTISSEMENT:** Les machines peuvent provoquer l'inflammation de certains matériaux et vapeurs. Ne pas utiliser la machine avec ou près de produits inflammables comme l'essence, les grains de poussière, les solvants et les diluants. N'utilisez que des produits de nettoyage disponibles dans le commerce et des concentrations adéquates à des applications de récurage de sols.

**⚠ AVERTISSEMENT:** Clarke recommande de ne pas utiliser une eau dont la température dépasse 49 °C.

### Fonctionnement de la machine

**REMARQUE:** Réglez la machine sur la vitesse minimale. Utilisez-la dans une zone dépourvue de meubles ou d'objets jusqu'à ce que vous puissiez effectuer les mouvements suivants :

1. Faire avancer la machine en ligne droite, en marche avant puis en marche arrière.
2. Arrêter la machine de façon sécuritaire.
3. Faire tourner la machine vers la gauche, puis vers la droite et reprendre une direction en ligne droite

Pour faire avancer la machine, procédez comme suit :

1. Si la machine est équipée d'un frein de stationnement, desserrez-le.
2. Tournez l'interrupteur à clé dans le sens des aiguilles d'une montre en position « ON » (sur les modèles « L » seulement). Appuyez sur le bouton vert « ON ». (Modèles « L » seulement).
3. Relevez la brosse au maximum.

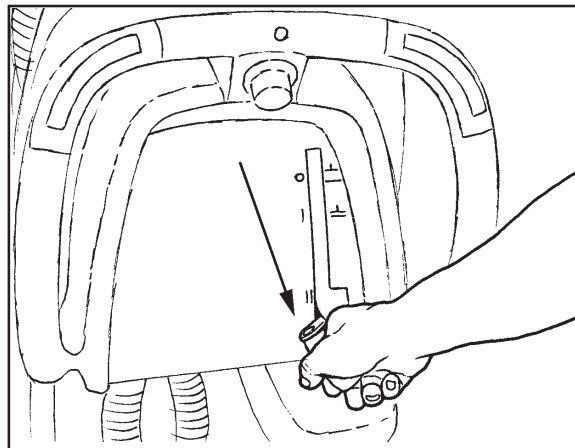


Figure 25

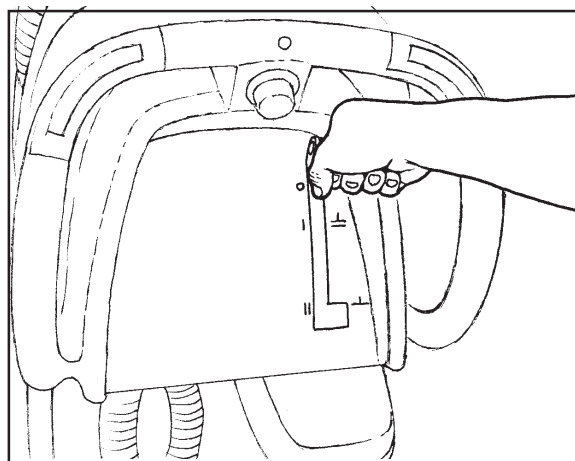


Figure 26

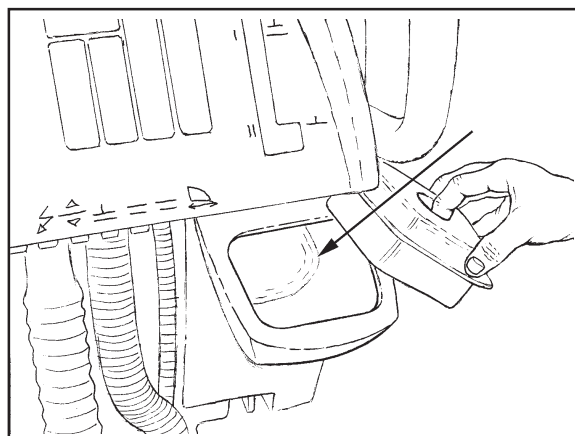


Figure 27

## Mise en service de la machine

4. Relevez le suceur.
5. Lorsque l'un des interrupteurs gauche ou droit AV/AR (figure 28, A) est enclenché, la machine se déplace vers l'avant ("L" models only).
6. Appuyez sur le bouton de la vitesse de traction (figure 28, C) pour contrôler la vitesse ("L" models only).
7. Pour arrêter, relâchez la pression exercée sur le bouton AV/AR.
8. Pour faire reculer la machine, appuyez sur le bouton de marche arrière blanc à gauche et à droite (figure 28, B) en même temps que vous appuyez sur l'un des boutons droit ou gauche de marche AV/AR (figure 28, A) ("L" models only).
9. Pour arrêter la machine, relâchez la pression exercée sur le bouton de marche AV/AR.
10. Pour tourner la machine, poussez l'arrière de la machine d'un côté.
11. Lorsque vous arrêtez la machine, appuyez sur le bouton rouge « OFF » ou tournez l'interrupteur à clé dans le sens inverse des aiguilles d'une montre en position « OFF » (modèles « L » seulement). Retirez la clé et engagez le frein (s'il y en a un).

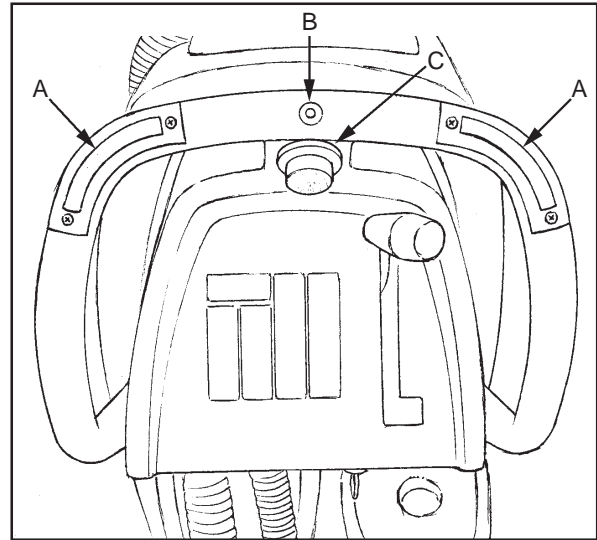


Figure 28

### Conseils pour le nettoyage

**AVERTISSEMENT:** Les solutions aqueuses ou les nettoyants utilisés avec ce type de machine peuvent laisser des zones humides sur la surface nettoyée. Ces zones constituent un danger potentiel pour l'opérateur ou pour d'autres personnes. Placez toujours des panneaux " PRECAUTION " sur le pourtour de l'espace que vous nettoyez.

Pour nettoyer un sol, procédez comme suit :

1. Si la machine est équipée d'un frein de stationnement, engagez-le.
2. Remplissez le réservoir de solution avec l'eau et la quantité adéquate de nettoyant.
3. Desserrez le frein de stationnement (le cas échéant).
4. Tournez l'interrupteur à clé dans le sens des aiguilles d'une montre en position « ON » (modèles « L » seulement). Appuyez sur le bouton vert « ON ».
5. Abaissez le suceur.
6. Appuyez sur le bouton d'abaissement de la brosse jusqu'à ce que le voyant jaune soit illuminé et que la pression correcte soit obtenue.

**AVERTISSEMENT:** Cette machine peut appliquer une pression maximale même si les brosses ou disques sont usés. À cause de cette caractéristique, il est possible de dépasser la pression recommandée lors de l'utilisation de brosses ou de disques neufs. Ceci risqué d'entraîner un déclenchement à répétition des coupes-circuit ou la possibilité d'une perte de contrôle ou de traction. Utilisez le levier de la brosse de façon à ce que la pression de la brosse soit juste suffisante pour accomplir la tâche. Cette précaution permettra d'assurer une plus longue durée de vie de la batterie et des brosses ou disques.

**REMARQUE:** La machine doit être en mouvement lorsque la brosse tourne sur le sol. Humidifiez au préalable la brosse ou le disque ou appliquez une pression minimale sur la brosse jusqu'à ce que le flux de solution ait imprégné suffisamment la brosse ou le disque pour les empêcher de rayer le sol.

## Mise en service de la machine

Pour pré-humidifier les brosses, vous devrez tout d'abord tourner le bouton de vitesse au réglage de translation le plus bas sur le modèle « L ». Ensuite, sur les modèles « S » et « L », abaissez les brosses jusqu'à ce qu'elles touchent à peine le sol et que le voyant jaune sur le panneau de commande soit illuminé. Activez l'interrupteur avant/arrière pour démarrer le moteur et le flux de solution.

**NB:** Sur le modèle « L », la machine ne se déplacera pas lorsque le bouton de translation est tourné complètement dans le sens inverse des aiguilles d'une montre.

7. Ajustez le flux de solution propre au débit souhaité.
8. Déplacez la machine en marche avant sur toute la longueur de la surface.
9. Puis effectuez un virage à 180°.

**REMARQUE :** Les bandes de nettoyage doivent se chevaucher d'au moins 5 cm.

**REMARQUE:** Pour la plupart des travaux, l'application de la solution et l'aspiration de l'eau sale se feront en un seul passage.

### Nettoyage d'un sol très saler

Pour nettoyer une surface très sale, procédez comme suit :

1. Appliquez la solution de nettoyage.
2. N'abaissez pas le suceur. Le moteur d'aspiration ne se mettra pas en marche.
3. Abaissez la brosse ou le disque et récuriez le sol.
4. Repassez au même endroit en appliquant la solution de nettoyage et en abaissant le suceur.
5. Aspirez toute l'eau sale avec le suceur.

## Entretien

- ⚠ AVERTISSEMENT: Les réparations et les opérations d'entretien doivent toujours être effectuées par des techniciens agréés.**
- ⚠ AVERTISSEMENT: Vidangez toujours les deux réservoirs (solution et récupération) avant de commencer un entretien ou d'entreprendre une réparation.**
- ⚠ AVERTISSEMENT: Toutes les fixations doivent être bien serrées.**

### Entretiens à effectuer chaque jour

Veillez à la propreté de la machine, vous éviterez des réparations et vous lui assurerez une plus longue durée de vie utile.

### Tâches de début de travail

1. Déconnectez l'alimentation CA du chargeur de la batterie (respectez les instructions du chargeur)
2. Rangez le câble d'alimentation CA du chargeur dans le compartiment de rangement de la machine (Voir Figure 29).
3. Assurez-vous que le filtre de l'écran est correctement installé dans le couvercle de récupération et qu'il est propre (Voir Figure 30).
4. Compruebe que la tapa del depósito de recuperación está correctamente colocada (voir figure 30).

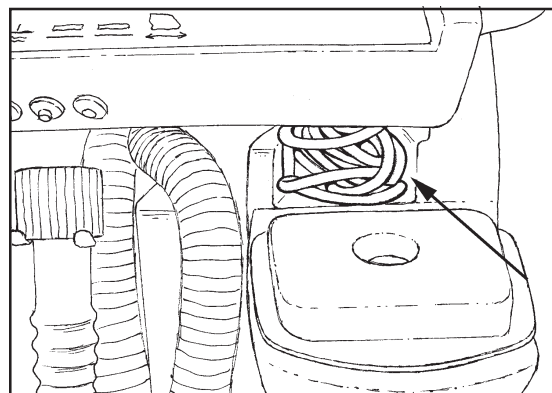


Figure 29

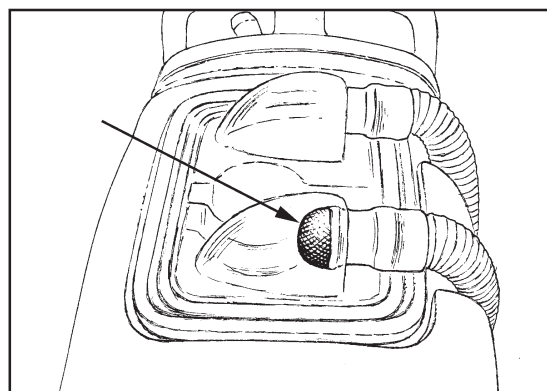


Figure 30



## Entretien

5. Vérifiez que la vanne du flexible de vidange est propre et refermez-la soigneusement.
6. Vérifiez que les brosses/disques sont en bonne position et correctement installés.
7. Assurez-vous que le boîtier de la brosse et les jupes sont en position sur la tête de la brosse.
8. Vérifiez le positionnement du suceur et du flexible du suceur.
9. Assurez-vous que l'indicateur de niveau/de drainage de la solution est bien fixé sur le support de rangement à l'arrière de la machine.

### Tâches de fin de travail

1. Vidangez le réservoir de solution (figure 31) et le réservoir de récupération (figure 32). Pour vidanger les réservoirs, procédez comme suit
  - a. Appuyez sur le bouton rouge « OFF », ou tournez l'interrupteur à clé dans le sens inverse des aiguilles d'une montre dans la position « OFF » (modèles « L » seulement)..
  - b. Dégagez le flexible de son logement à l'arrière de la machine.
  - c. Placez l'extrémité du tuyau dans un seau ou une bouche d'évacuation.
  - d. *Réservoir de récupération :*
    - 1.) Tournez le boîtier de la valve vers la gauche (Voir Figure 33).
    - 2.) Pour ouvrir la valve complètement, tournez le boîtier complètement vers la gauche. Ôtez le boîtier en le tirant de la valve (Figure 34).
  - e. *Réservoir de solution :*  
Quand le flexible est abaissé jusqu'au niveau de l'eau, l'eau va s'écouler.
2. Rincez les réservoirs en versant de l'eau propre par l'ouverture située sur le dessus du réservoir.
3. Si un flexible de réservoir ou de vidange est obstrué, utilisez un jet d'eau à haute pression pour le libérer, en introduisant celui-ci dans le flexible.
4. Laissez les réservoirs et les vannes de vidange ouverts pour qu'ils puissent sécher à l'air.
5. Vérifiez la lame du suceur. Nettoyez-la avec un chiffon propre. Si la lame est endommagée ou usée, retournez-la ou placez une nouvelle lame.
6. Vérifiez et nettoyez le joint du couvercle du réservoir de solution. Utilisez une solution à faible concentration de détergent et rincez les pièces à l'eau claire.

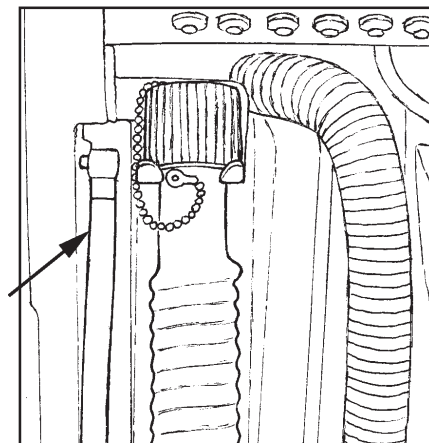


Figure 31

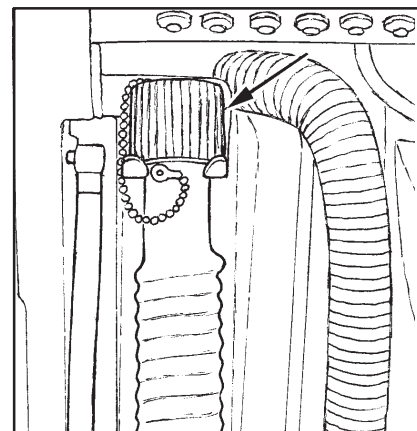


Figure 32

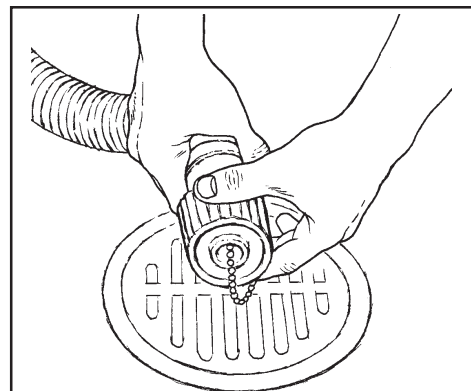


Figure 33

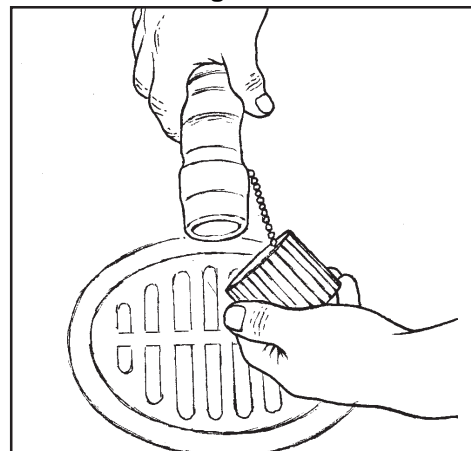


Figure 34



## Entretien

7. Sur les machines avec une tête de brosse cylindrique, le bac à débris devra peut-être être vidé régulièrement pour empêcher un débordement. Pour retirer le bac à débris de la machine, respectez la procédure suivante (Voir Figure 35).
  - a. Allez à la gauche de la machine, derrière la tête de la brosse cylindrique.
  - b. Attrapez de la main gauche l'arrière du bac et le centre du bac de la main droite.
  - c. Soulevez le centre du bac avec la main droite et faites coulisser le bac avec la main gauche.
  - d. Videz le bac avant de le replacer en le faisant coulisser. Assurez-vous qu'il est bien placé dans les fentes supérieures et inférieures.

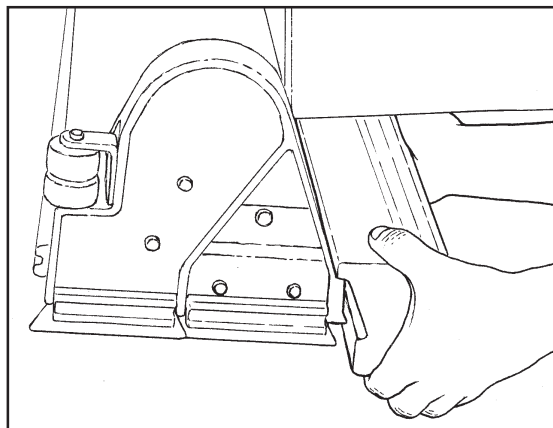


Figure 35

Vérifiez les batteries et ajoutez de l'eau distillée si nécessaire après les avoir chargées. Le niveau correct est de 6 mm par rapport au fond du tube dans chaque cellule.

**⚠ PRECAUTION:** L'eau du robinet peut contenir des agents nocifs pour les batteries. Utilisez uniquement de L'EAU DISTILLÉE pour remplir les batteries.

**⚠ AVERTISSEMENT:** Les batteries acide/plomb peuvent produire des gaz explosifs. NE PAS FUMER. Portez toujours des lunettes et vêtements de protection lorsque vous travaillez près de / aux batteries.

Essayez la machine avec un chiffon propre.

Chargez les batteries. Suivez les instructions de ce manuel au paragraphe consacré à ce sujet.

### Tâches hebdomadaires

**⚠ AVERTISSEMENT:** Seul un personnel qualifié doit effectuer les réparations et l'entretien de nos machines. Vidangez toujours le réservoir de solution et le réservoir de récupération avant toute opération d'entretien. Veillez à ce que les fixations soient toujours bien serrées.

**⚠ AVERTISSEMENT:** Portez toujours des lunettes et vêtements de protection lorsque vous travaillez près des batteries. N'insérez pas d'outil ou d'autres objets métalliques entre les bornes ou sur les batteries.

**⚠ PRECAUTION:** Pour éviter d'endommager la machine et pour ne pas que les batteries se déchargent, le niveau d'électrolyte ne doit jamais dépasser le fond du tube de chaque cellule. Essayez tout débordement d'acide sur la machine ou les batteries. Ne jamais ajouter d'acide dans les batteries après qu'elles aient été installées.

## Entretien

**N.B. :** Éteignez toujours la machine avant de réaliser un entretien.

**⚠ AVERTISSEMENT:** Portez toujours des lunettes et vêtements de protection lorsque vous travaillez sur/près des batteries. **NE FUMEZ PAS !**

**⚠ AVERTISSEMENT:** Avant de soulever ou de retirer le réservoir de récupération, assurez-vous que le réservoir est vide. Ne pas effectuer d'entretien quelconque sur la machine lorsque le réservoir de récupération est en position ouverte. Le réservoir pourrait être cogné et se refermer accidentellement.

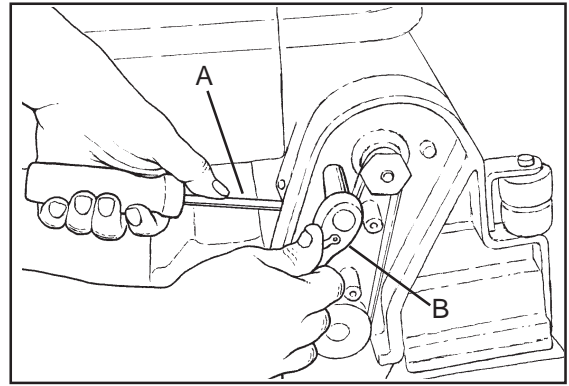


Figure 36

1. Déconnectez les batteries. Utilisez une solution d'ammoniaque ou de bicarbonate de soude pour essuyer le dessus des batteries. Nettoyez les bornes. Reconnectez les batteries.
2. Vérifiez que les flexibles ne sont pas perforés, obstrués ou endommagés.
3. Contrôlez que les courroies d'entraînement de la brosse sont bien tendues. Les courroies doivent avoir une tension correcte afin d'éviter tout glissement. Pour resserrer les courroies, respectez la procédure suivante:
  - a. Retirez la protection de la courroie en retirant les vis.
  - b. Desserrez les deux vis sur chaque côte de la poulie du moteur.
  - c. Utilisez un petit levier ou un gros tournevis pour soulever le moteur afin d'obtenir la tension de courroie correcte. Soulever le moteur près de l'endroit où le moteur est en contact avec la coulée de la tête de la brosse (voir figure 36, A).
  - d. Maintenez la tension et resserrez les deux vis (voir figure 36, B).
  - e. Remplacez la protection de la courroie.

## Entretien (suite)

### Entretien du suceur

Pour déposer le suceur, procédez comme suit :

1. Desserrez les deux manettes de fixation de l'ensemble du suceur puis déposez celui-ci. Voir figure 37.
2. Vérifiez l'état de la lame.
3. Si la lame est usée, retournez-la pour placer un nouveau bord en position de travail.
4. Remplacez l'ensemble du suceur sur la machine.

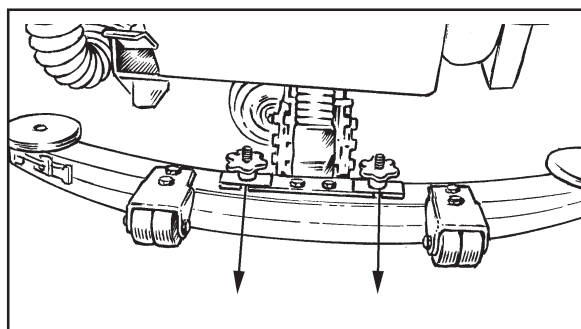


Figure 37

### Réglage du suceur

Les réglages suivants sont effectués en usine mais il peut être nécessaire de procéder à quelques légers réajustements.

#### Réglage de l'inclinaison du suceur :

Le réglage permet de relever la lame arrière soit au centre, soit à ses extrémités. Reportez-vous à la figure 38. Desserrez les boulons indiqués par la lettre 'X', à gauche et à droite. Pour abaisser la lame en son centre, faire pivoter la pièce 'Y' vers le bas. Pour relever les extrémités de la lame, faire pivoter la pièce 'Y' vers le haut. Ces réglages sont des réglages fins, procédez lentement jusqu'à ce que vous obteniez un évasement uniforme.

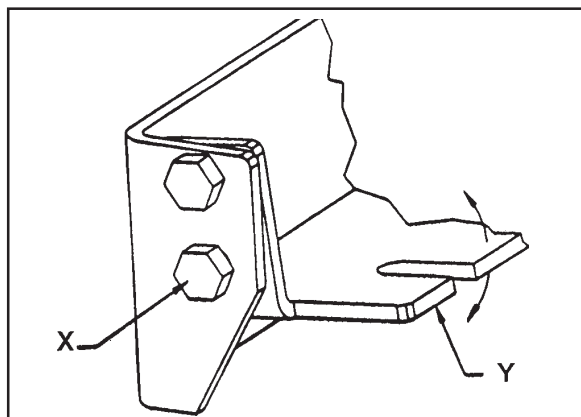


Figure 38

#### Réglage des lames du suceur :

Lors d'une installation correcte, la lame avant doit se trouver à environ 1,5 mm au-dessus de la lame arrière. Voir figure 39.

**⚠ AVERTISSEMENT:** L'entretien et les réparations doivent toujours être effectués par des techniciens agréés.

**⚠ AVERTISSEMENT:** Les réparations électriques doivent toujours être effectuées par des techniciens agréés.

Consultez votre technicien agréé Clarke pour faire effectuer les opérations d'entretien.

N'utilisez que des pièces Clarke.

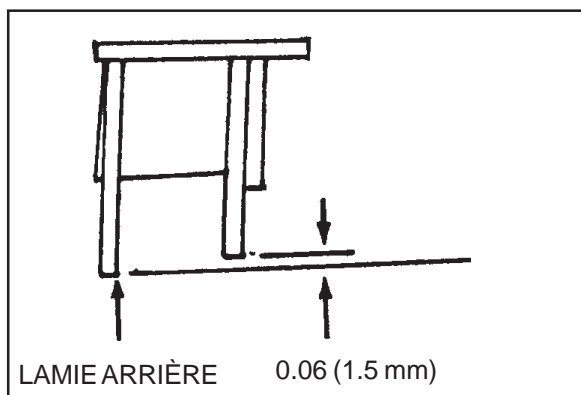


Figure 39

**Clarke**  
**Focus 17/20**  
**Accessoires**

**ACCESSORIES**

<u>Descripción</u>	<u>Part No.</u>
Kit d'entretien Clarke	14607A
Ensemble du suceur (29 pouces)	18820A
Ensemble du suceur (32 pouces)	10129A
Produit de protection pour le Polydur	50478A
Kit de l'horamètre	10656A
Interrupteur à clé	10490A
Frein de sécurité	10491A
Silencieux aspirateur	10492A
Baguette d'alimentation	10489A
Assemblage roulette d'uréthane	61290A
Plaque d'embrayage double direct	30034A
Fixation de la plaquette de freinage centralisé	56941A
Siphon en S du flexible de la racle	30482A

**Conjuntos de cepillos y discos rotativos:**

<u>Description</u>	<u>Pièce (17")</u>	<u>Pièce (20")</u>
Ensemble porte-disque	10405A	30629A
Polypropylène	52539A	30630A
Nylon	52540A	30631A
« Lite Grit »	52543A	30632A
« Clean Grit »	52541A	30633A

**Cepillos cilíndricos**

<u>Taille</u>	<u>Description</u>	<u>Pièce</u>
4"	Polypropylène	30231A
4"	Nylon	30232A
4"	« Clean Grit »	30233A
4"	« Super Grit »	30234A

**Lames pour suceur (29 pouces)**

<u>Descripción</u>	<u>Pièce</u>
Lame arrière - Caoutchouc gomme	30931A
Lame arrière - Nitrile plein	30938A
Lame avant - Uréthane nervurée	30951A
Lame avant - Néoprène à encoches	30930A

**Lames pour suceur (32 pouces)**

<u>Descripción</u>	<u>Pièce</u>
Lame arrière - Caoutchouc gomme	30067A
Lame arrière - Nitrile plein	30081A
Lame arrière - Nervurée orange	30085A
Lame avant - Nervurée naturelle	30066A
Lame avant - Coulis fendu	30079A
Lame avant - Nervurée orange	30083A

## PROBLÈMES ET SOLUTIONS PROPOSÉES

PROBLÈME	CAUSE	SOLU- TION
La solution ne s'écoule pas..	<p>Le réservoir de solution est vide.</p> <p>Le filtre ou le flexible est bouché.</p> <p>La vanne de la solution ou le circuit électrique sont endommagés</p> <p>Le module de contrôle est défectueux.</p>	<p>Remplir le réservoir.</p> <p>Déboucher le flexible ou décolmater le filtre.</p> <p>Réparer ou remplacer la vanne et le circuit électrique.</p> <p>Remplacez le module de contrôle.</p>
Le flux de solution ne s'arrête pas	<p>La vanne de la solution est ouverte.</p> <p>La vanne de la solution ou le circuit électrique sont endommagés.</p> <p>La vanne de la solution est encrassée.</p> <p>Le clapet et l'écrou de la vanne sont endommagés.</p> <p>Le module de la solution est défectueux.</p>	<p>Refermer ou nettoyer la vanne de la solution.</p> <p>Réparer ou remplacer la vanne et le circuit électrique.</p> <p>Nettoyer la vanne.</p> <p>Remplacer le clapet et l'écrou.</p> <p>Remplacer le module.</p>
La machine n'aspire pas toute l'eau du sol.	<p>Le suceur est relevé.</p> <p>L'inclinaison du suceur n'est pas correcte.</p> <p>Le réservoir de récupération est plein.</p> <p>Le filtre du tamis est encrassé.</p> <p>La racle ou le tuyau de la racle présente une obstruction ou une avarie.</p> <p>Le moteur d'aspiration ne fonctionne pas.</p> <p>Le flexible du suceur est déconnecté ou endommagé.</p> <p>La lame du suceur est endommagée, usée ou placée de façon incorrecte.</p> <p>Les joints du couvercle du réservoir de récupération sont endommagés.</p>	<p>Abaissier le suceur.</p> <p>Pour ajuster, consultez la section intitulée « Comment ajuster la racle ».</p> <p>Vidanger le réservoir.</p> <p>Nettoyer le filtre.</p> <p>Déboucher ou réparer les dégâts.</p> <p>Vérifier que le thermique n'a pas déclenché. Faites effectuer les réparations par un technicien qualifié.</p> <p>Vérifiez et remplacez le flexible.</p> <p>Retournez la lame ou remplacez-la. Remplacez la lame correctement.</p> <p>Remplacez les joints.</p>
Les batteries se déchargent prématurément.	<p>Les bornes sont encrassées ou endommagées.</p> <p>Le niveau d'acide est trop bas.</p> <p>Les batteries n'ont pas été correctement chargées.</p> <p>Le chargeur est endommagé.</p> <p>Les batteries sont défectueuses.</p> <p>Les batteries sont déconnectées.</p> <p>La brosse est réglée en permanence sur récurage (" heavy scrub ").</p>	<p>Nettoyez les bornes et les connecteurs. Remplacez les câbles endommagés. Chargez les batteries.</p> <p>Ajoutez de l'eau distillée dans chaque cellule et rechargez les batteries.</p> <p>Chargez les batteries pendant 16 heures.</p> <p>Faites réparer le chargeur par un technicien agréé.</p> <p>Vérifiez la tension de chaque cellule en décharge.</p> <p>Connectez les batteries.</p> <p>Réglez la pression.</p>

PROBLÈME	CAUSE	SOLUTION
<p><b>Le nettoyage n'est pas uniforme.</b></p>	<p>La brosse de récurage ou le disque sont usés.</p> <p>L'ensemble de la brosse, la roulette ou la vanne de solution sont endommagés.</p> <p>Le moteur de la brosse ne fonctionne pas.</p> <p>Le niveau de solution est trop bas.</p>	<p>Remplacez la brosse ou le disque.</p> <p>Faites effectuer les réparations nécessaires par un technicien qualifié.</p> <p>Vérifiez que le thermique ne s'est pas déclenché. Remettez-le à zéro. Vérifiez les connexions.</p> <p>Remplissez le réservoir de solution.</p> <p>REMARQUE: si le problème persiste, faites vérifier la machine par un technicien agréé.</p>
<p><b>La machine ne fonctionne pas.</b></p>	<p>Perte de puissance</p> <p>L'interrupteur principal à clé est sur " O" (arrêt).</p> <p>Les batteries sont débranchées. Les bornes des batteries sont encrassées.</p> <p>Les batteries sont déchargées.</p>	<p>Réinitialiser le thermique.</p> <p>Mettez la clé de l'interrupteur principal sur "I" (marche).</p> <p>Vérifiez les connexions.</p> <p>Vérifiez l'indicateur de la batterie et rechargez les.</p> <p>REMARQUE: si le problème persiste, faites vérifier la machine par un technicien agréé.</p>





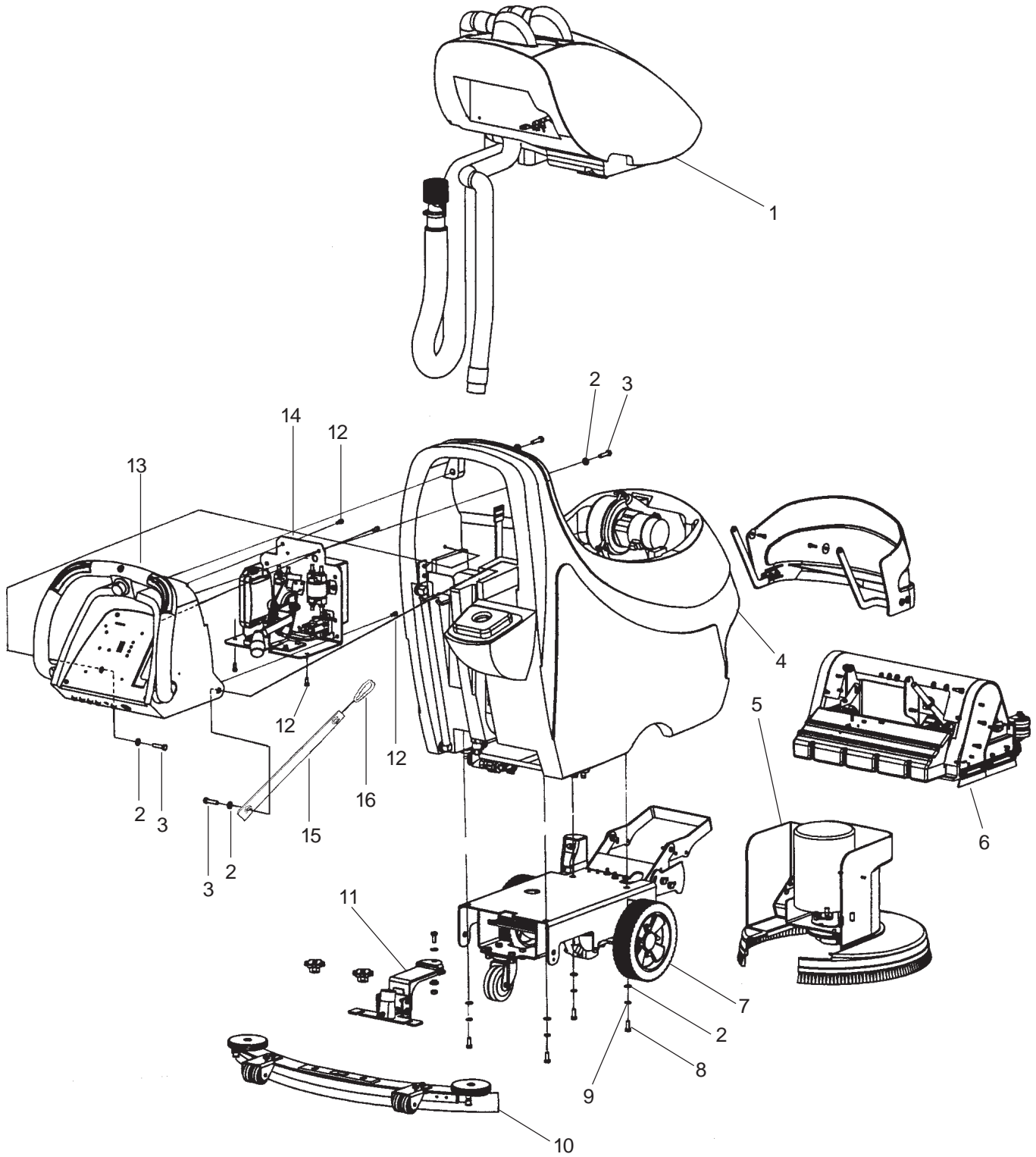
**Clarke<sup>®</sup>**

**FOCUS**  
**S17/L17 Rotary**  
**S17/L17 Cylindrical**  
**S20/L20 Rotary**  
**Section II**  
**Parts and Service Manual**

(70899A)

**U.S. Patent No. 6,105,192; No. 6,557,207; No. 6,760,947 and other Patents Pending**

Clarke®  
FOCUS S17/20, L17/20 and L17 Cyl.  
Final Assembly 1/05

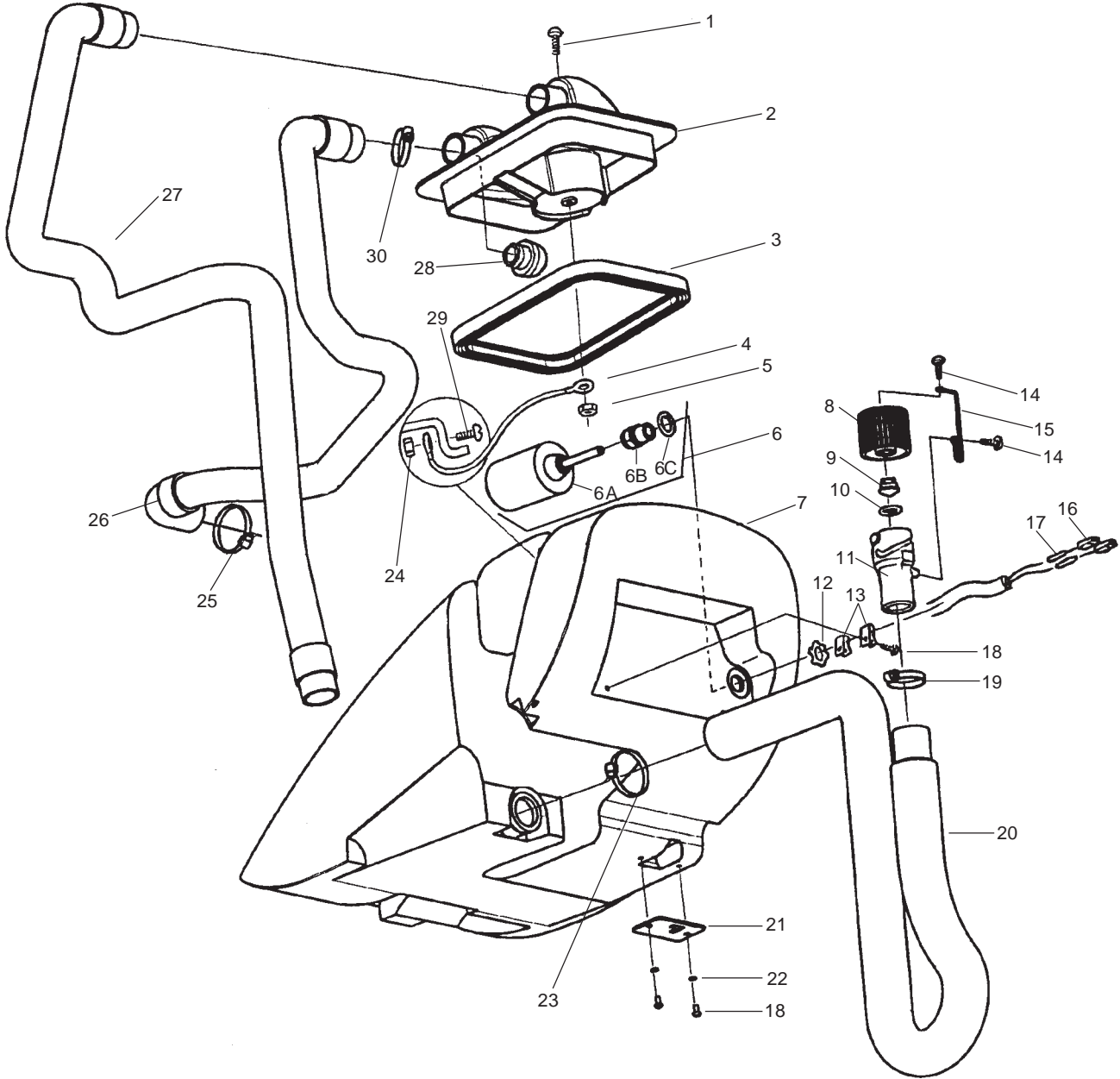


**Clarke®**  
**FOCUS S17/20, L17/20 and L17 Cyl.**  
**Final Assembly Parts List 1/05**

Ref. #	Part No.	Description	Qty
1	Page 84	Recovery Tank Assembly	1
2	980651	Washer, Flat 5/16"	8
3	80212A	Screw, M8 x 1.25 x 35mm Hex Head	4
4	Page 86	Solution Tank Assembly	1
5	Page 100	Rotary Disk Head Assembly Option	1
6	Page 98	Cyl. Head Asm. Option (L17 Cyl. model only)	1
7	Page 96	Frame Assembly	1
8	80197A	Screw, M8 x 1.25 x 20mm Hex Head	4
9	980652	Washer, Lock 5/16"	4
10	Page 94	Squeegee Assembly	1
11	Page 92	Squeegee Lift Assembly	1
12	80179A	Screw, M6 x 1 x 15mm Pan Head	6
13	Page 90	Control Housing Assembly	1
14	Page 88	Electrical Assembly	1
15	30334A	Tether	1
16	52570A	Clip, Tether	1
NI	40606A	Battery, 130AH, 12V Wet Option	2
NI	40605A	Battery, 130AH, 12V Dry Option	2
NI	40070A	Battery, 100AH, 12V Gel Option	2
NI	41206A	Battery Cable (Taper Style)	1
NI	41217A	Battery Cable (Ring Style) (use w/gel batteries)	1
NI	61337A	Battery Cable Adapter (use w/gel batteries)	2

NI = Not Illustrated

Clarke®  
FOCUS S17/20, L17/20 and L17 Cyl.  
Recovery Tank Assembly 1/05

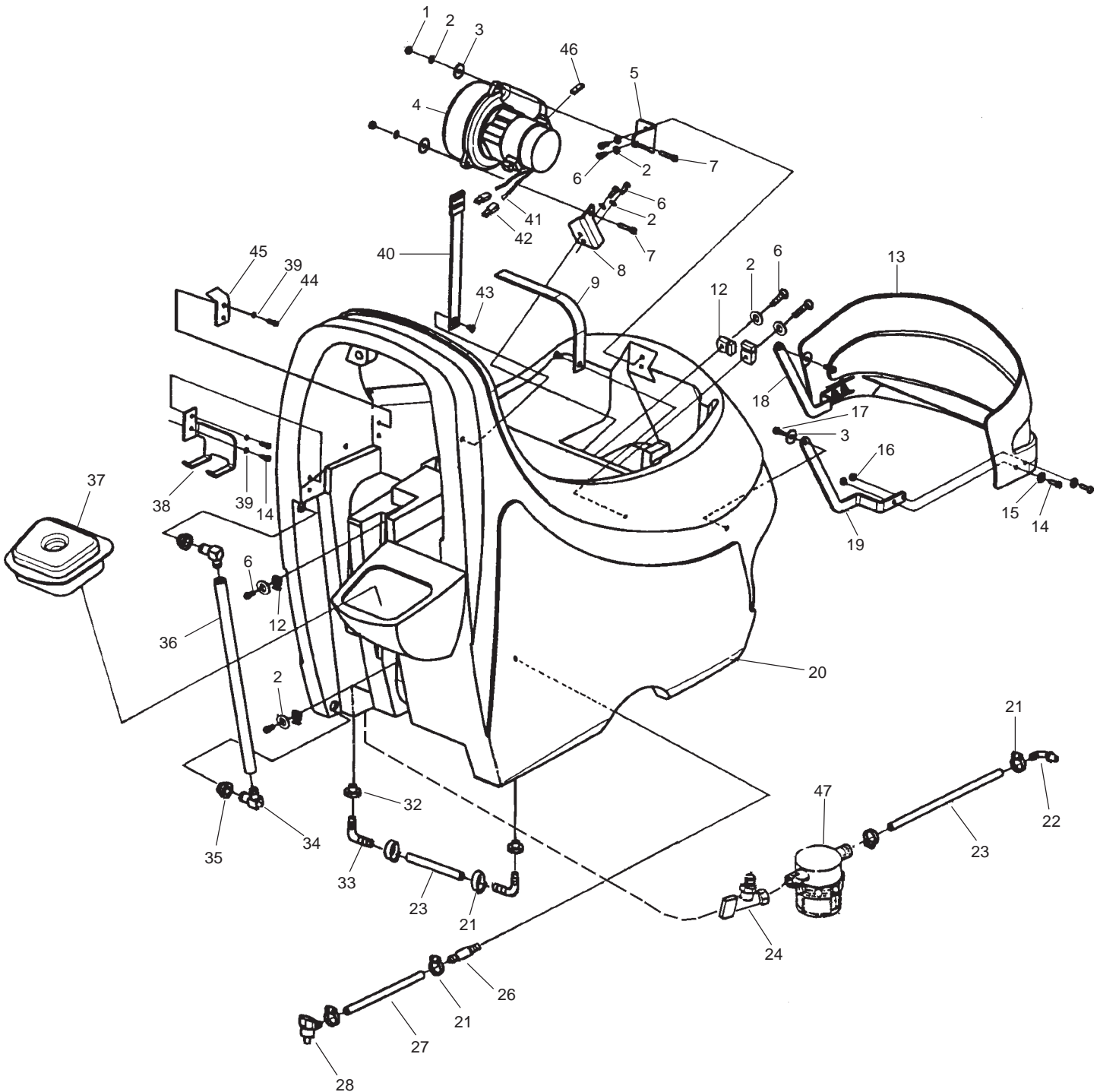


**Clarke®**  
**FOCUS S17/20, L17/20 and L17 Cyl.**  
**Recovery Tank Parts List 1/05**

Ref. #	Part No.	Description	Qty
1	80176A	Screw, M5 x .8 x 12mm Pan Head	1
2	30207A	Recovery Lid	1
3	30065A	Lid Gasket	1
4	692409	Chain	1
5	80196A	Nut, M5 x .8 Hex	1
6	10660A	Float Switch Kit (includes 6A, 6B, 6C)	1
6A	40002A	Float Switch (included in #6)	1
6B	56459B	Strain Relief (included in #6)	1
6C	59877A	Washer, Seal (included in #6)	1
7	30218A	Recovery Tank	1
8	30227A	Drain Housing	1
9	30226A	Drain Plug	1
10	52560A	O-Ring	1
11	30225A	Drain Body	1
12	82100A	Locknut, 1/2" Conduit	1
13	872102	Nylon Clip, 5/16 OD	2
14	962957	Screw, #10-16 x 1/2	2
15	52206A	Chain	1
16	43402A	Housing, Connector (included in 6A)	2
17	41809A	Contact (included in 6A)	2
18	80193A	Screw, M5 x .8 x 10mm Pan Head	4
19	832002	Drain Valve Clamp	1
20	35102A	Drain Hose	1
21	61459A	Latch Plate	1
22	980603	Washer, LK #10 Ext Tooth	2
23	80110A	Hose Clamp	1
24	920296	Nut, 10-24	1
25	752020	Clamp	1
26	51060A	Vacuum Hose	1
27	30482A	Squeegee Hose	1
28	61451B	Vacuum Screen	1
29	962666	Screw, 10-24 x 3/4 Pan Head	1
30	53179A	Red Cable Tie	1
NI	77093A	Label, Falling Parts	1



Clarke®  
**FOCUS S17/20, L17/20 and L17 Cyl.**  
**Solution Tank & Front Cover Assembly 1/05**

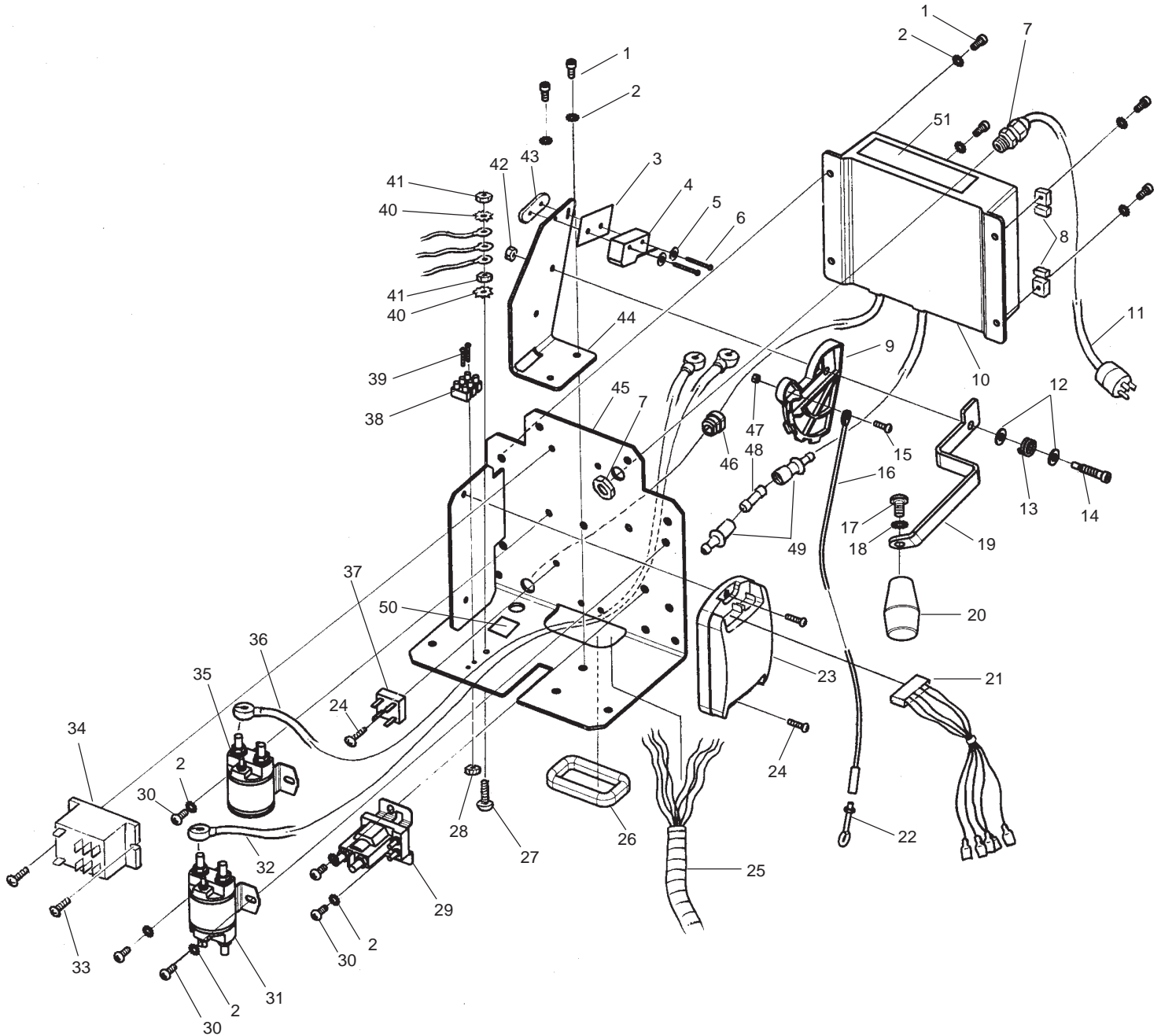


**Clarke®**  
**FOCUS S17/20, L17/20 and L17 Cyl.**  
**Solution Tank & Front Cover Parts List 1/05**

Ref. #	Part No.	Description	Qty
1	80199A	Nut, M6 x 1 Hex Nylock	2
2	980614	Lock Washer, 1/4" Ext. Tooth	10
3	87026A	Flat Washer, 1/4"	4
4	40724A	Vacuum Motor	1
5	61297B	Front Motor Mount	1
6	80179A	Screw, M6 x 1 x 15mm, Pan Head	8
7	80180A	Screw, M6 x 1 x 30mm, Pan Head	2
8	61298B	Rear Motor Mount	1
9	52551A	Battery Strap	1
12	52548A	Screw Tab	4
13	30608A	Front Cover	1
14	80202A	Screw, M5 x .8 x 15mm, Pan Head	6
15	87036A	Flat Washer, #10	4
16	80196A	Nut, M5 x .8 Hex Nylock	4
17	80209A	Shoulder Bolt, M5 x 6 x 8mm	2
18	61457A	Left Front Cover Bracket	1
19	61456A	Right Front Cover Bracket	1
20	30219A	Solution Tank	1
21	50248A	Hose Clamp	6
22	53607A	Elbow, 1/4 NPT x 3/8	1
23	30172A	Hose	2
24	51204A	Valve, Solution	1
26	820207	Adapter	1
27	30453A	Hose	1
28	59614A	Battery Drain Valve	1
32	51518A	Bushing	2
33	51526A	Hosebarb, 3.8 x 90°	2
34	55189A	Hosebarb, 1/2 x 90°	2
35	31242A	Bushing	2
36	30239A	Level, Drain Hose	1
37	30222A	Solution Lid	1
38	61280A	Drain Hose Hanger	1
39	980603	Lock Washer, #10 Ext. Tooth	4
40	52552A	Battery Strap, w/Buckle	1
41	41809A	Contact, Connector	2
42	43401A	Housing, Connector	2
43	80210A	Screw, M6 x 1 x 10mm, Flat Head	2
44	80176A	Screw, M5 x .8 x 12mm, Pan Head	2
45	61345A	Hinge Bracket	1
46	40817A	Brush Mechanism	2
47	53562A	Filter Bowl	1
NI	70668A	Label, FOCUS (Front Cover)	1

NI = Not Illustrated

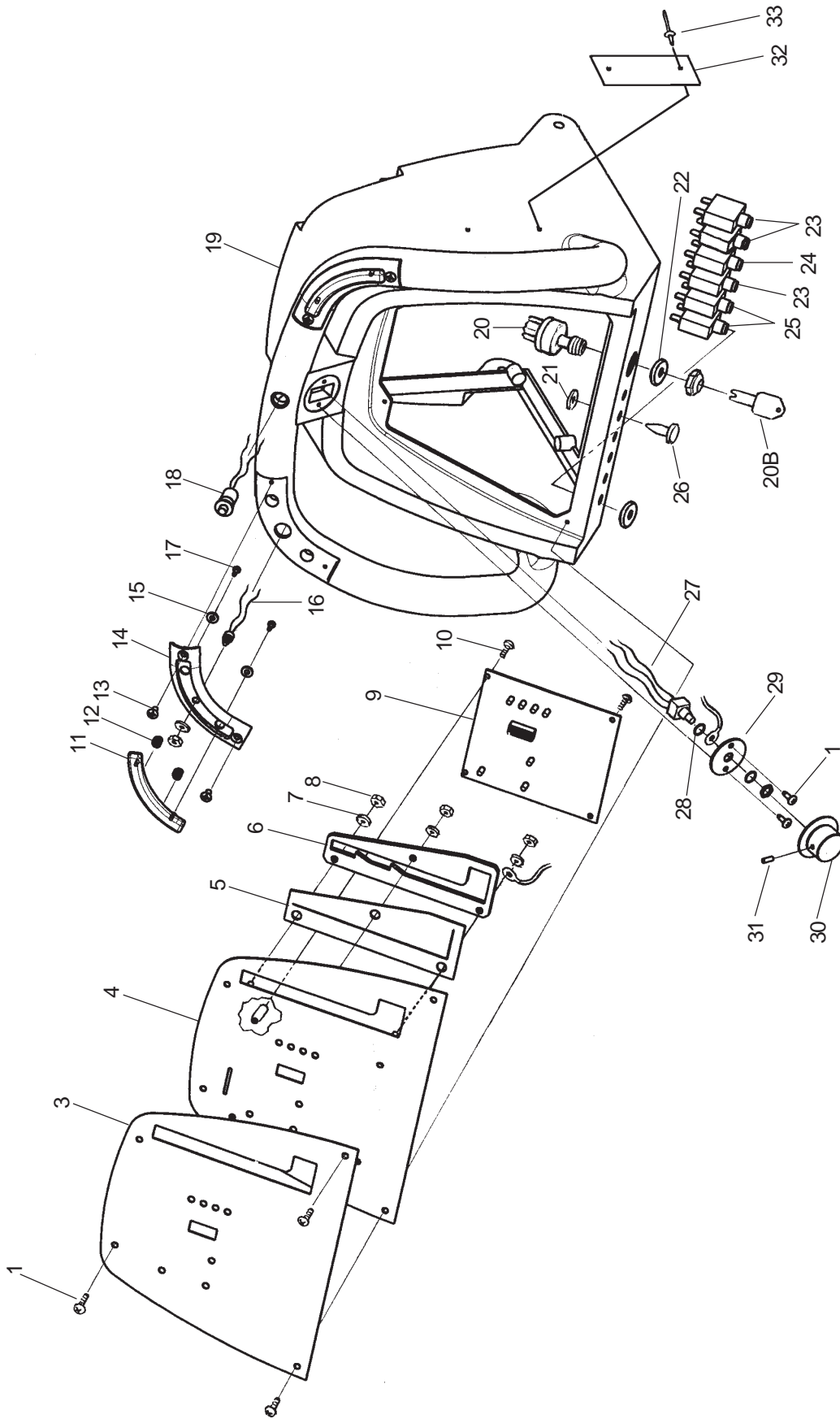
Clarke®  
FOCUS S17/20, L17/20 and L17 Cyl.  
Electrical Assembly 1/05



**Clarke®**  
**FOCUS S17/20, L17/20 and L17 Cyl.**  
**Electrical Parts List 1/05**

Ref. #	Part No.	Description	Qty	
			S17/20	L17/20
1	80179A	Screw, M6 x 1 x 15mm, Pan Head	6	6
2	980614	Washer, Lock 1/4" Ext. Tooth	12	12
3	30097A	Insulator	1	1
4	40635A	Squeegee Switch	1	1
5	980607	Washer, Lock #6 Ext. Tooth	2	2
6	962980	Screw, 6-32 x 1, Pan Head	2	2
7	30287A	Strain Relief	1	1
8	52548A	Screw Tab	2	2
9	30175A	Squeegee Cam	1	1
10	40614A	Battery Charger, 115V, 50/60 Hz	1	1
	40615A	Battery Charger, 230V, 50/60 Hz	1	1
11	40611A	Cord, Power Supply 115V	1	1
	40609A	Cord, Power Supply 230V, European	1	1
12	980692	Washer, Flat 5/16" SS	2	2
13	438360	Squeegee Lift Spring	1	1
14	80178A	Shoulder Bolt, M6 x 8 x30mm	1	1
15	80202A	Screw, M5 x .8 x 15mm, Pan Head	1	1
16	60975A	Squeegee Cable	1	1
17	85389A	Screw, 3/8-16 x 5/8	1	1
18	980666	Washer, 3/8" Ext. Tooth	1	1
19	60976A	Squeegee Lever	1	1
20	52557A	Squeegee Knob	1	1
21	40631A	Traverse Harness	-	1
22	80186A	Eyebolt, #10-24	1	1
23	40592A	Traverse Controller	-	1
24	80221A	Screw, M4 x .7 x 20mm, Pan Head	3	3
25	40630A	Main Harness, Traverse	-	1
	40629A	Main Harness, Non-Traverse	1	-
26	193951	Grommet, 8.5"	1	1
27	80205A	Screw, M5 x .8 x 20mm, Pan Head	1	1
28	80204A	Nut, M3 x .5, Nylock	2	2
29	40169A	Solenoid, Vacuum	1	1
30	80208A	Screw, M6 x 1 x 10mm, Pan Head	6	6
31	41811A	Contactor, Main	1	1
32	40612A	Red Battery Cable	1	1
33	80222A	Screw, M4 x .7 x 10mm, Pan Head	2	2
34	40633A	Relay, DPDT, 115V	1	1
	40634A	Relay, DPDT, 230V	1	1
35	41810A	Contactor, Brush	1	1
36	40613A	Black Battery Cable	1	1
37	46106A	Rectifier	1	1
38	40626A	Terminal Block	1	1
39	80206A	Screw, M3 x .5 x 20mm, Pan Head	2	2
40	980603	Washer, Lock #10 Ext. Tooth	2	2
41	80169A	Nut, M5 x .8 Hex	2	2
42	80199A	Nut, M6 x 1, Nylock	1	1
43	60265A	Nut Plate	1	1
44	60977A	Squeegee Lift Mount	1	1
45	61084A	Electrical Panel, Traverse	-	1
	61332A	Electrical Panel, Non-Traverse	1	-
46	52562A	Strain Relief Bushing	1	1
47	80196A	Nut, M5 x .8 Nylock	1	1
48	912216	Fuse, 15A	1	1
49	43006A	Fuse Holder	1	1
50	77094A	Label, Ground	1	1
51	77092A	Label, Gases & Chemicals	1	1

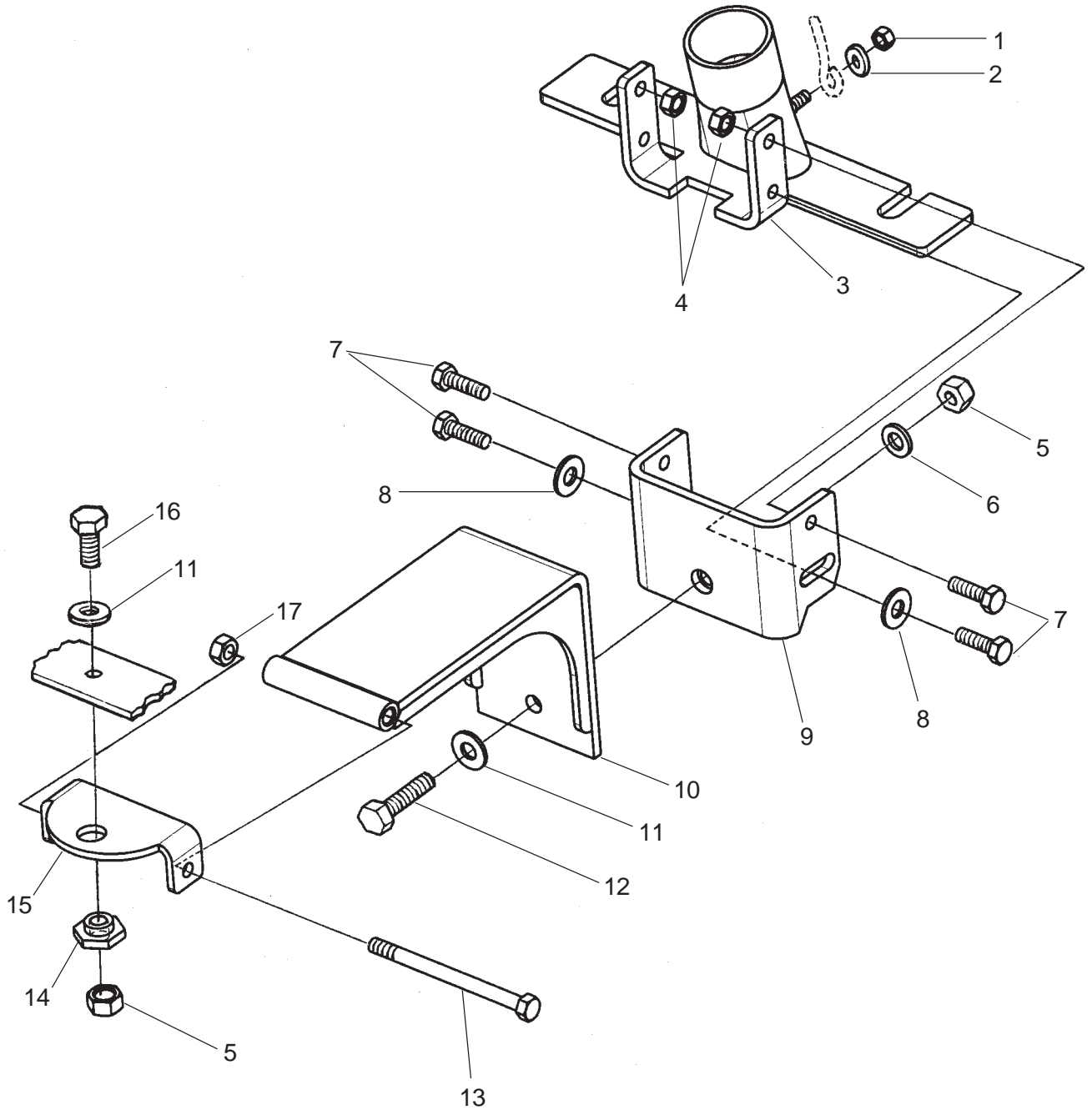
Clarke®  
FOCUS S17/20, L17/20 and L17 Cyl.  
Control Housing Assembly 1/05



**Clarke®**  
**FOCUS S17/20, L17/20 and L17 Cyl.**  
**Control Housing Parts List 1/05**

Ref. #	Part No.	Description	Qty S17/20	Qty L17/20	Qty L17 Cyl
1	962957	Screw, 10-16 x 1/2"	6	6	6
3	70352A	Membrane Switch	1	1	1
4	60979A	Control Panel	1	1	1
5	52555A	Lever Gasket	1	1	1
6	60978A	Wear Plate	1	1	1
7	87036A	Washer, Flat #10	3	3	3
8	80196A	Nut, M5 x .8, Nylock	3	3	3
9	40597A	Panel Circuit Board	1	1	1
10	962330	Screw, 6-32 x 3/8" Pan Head	4	4	4
11	30214A	Switch Lever	2	2	2
12	50961A	Spring, Switch	4	4	4
13	80192A	Screw, M5 x .8 x 16mm, Oval Head	4	4	4
14	30213A	Switch Housing	2	2	2
15	980608	Washer, Flat #6	4	4	4
16	40126A	Switch Assembly	2	2	2
17	80191A	Screw, M3.5 x 6 x 10mm, Pan Head	4	4	4
18	52556A	Reverse Switch	-	1	1
19	30220A	Control Handle, Traverse	-	1	1
	30228A	Control Handle, Non-Traverse	1	-	-
20	47380A	Key Switch	-	1	1
20B	55413A	Key, Spare	-	1	1
21	80230A	Washer, Nylon	1	1	-
22	87052A	Washer, Key Switch	-	-	1
23	41422A	Circuit Breaker, 25A	1	2	3
24	41433A	Circuit Breaker, 40A	1	1	-
	41422A	Circuit Breaker, 25A	-	-	1
25	41423A	Circuit Breaker, 5A	2	2	2
26	80229A	Arrow Clip, Nylon	1	1	-
27	40135A	Potentiometer Harness	-	1	1
28	980666	Washer, Lock 3/8"	-	1	1
29	60259A	Potentiometer Retainer	-	1	1
30	50962A	Control Knob	-	1	1
31	962262	Screw, Set 8-32 x 1/2" (included in #30)	-	1	1
32	70080A	Plate, Warning	1	1	1
33	83010A	Rivet, Pop	2	2	2

Clarke®  
FOCUS S17/20, L17/20 and L17 Cyl.  
Squeegee Lift Assembly 1/05

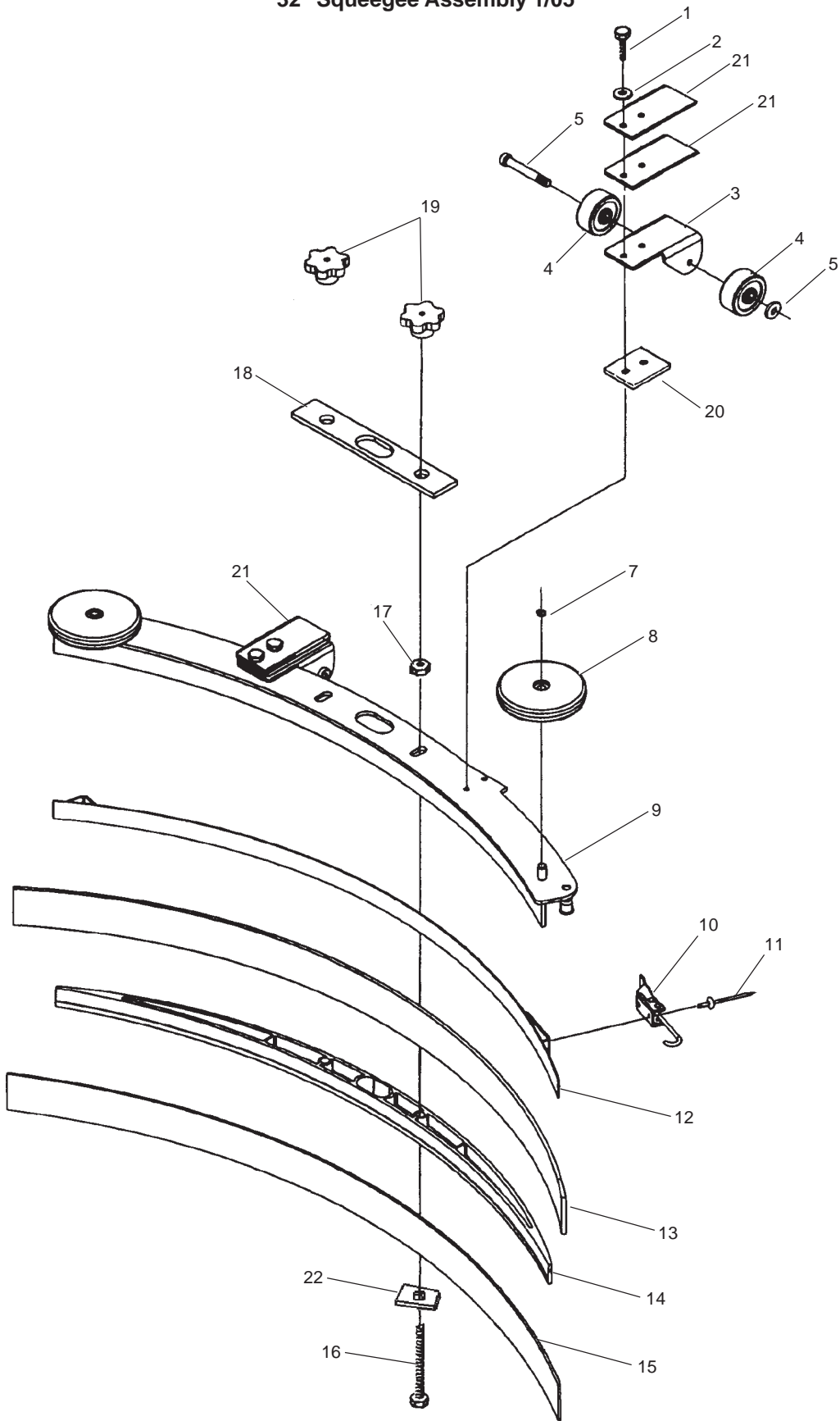




**Clarke®**  
**FOCUS S17/20, L17/20 and L17 Cyl.**  
**Squeegee Lift Parts List 1/05**

<b>Ref. #</b>	<b>Part No.</b>	<b>Description</b>	<b>Qty</b>
1	80196A	Nut, M5 x .8, Nylock	1
2	87036A	Washer, Flat #10	1
3	61305A	Tube Bracket	1
4	80199A	Nut, M6 x 1, Nylock	2
5	80198A	Nut, M8 x 1.25, Nylock	2
6	980652	Washer, Lock 5/16"	1
7	80195A	Screw, M6 x 1 x 20mm, Hex Head	4
8	87026A	Washer, Flat 1/4"	2
9	61292A	Pin Bracket	1
10	61296A	Squeegee Arm	1
11	980651	Washer, Flat 5/16"	2
12	80194A	Screw, M8 x 1.25 x 30mm, Hex Head	1
13	80101A	Screw, 1/4-20 x 3 1/4"	1
14	61461A	Squeegee Swivel Spacer	1
15	60256A	Pivot Bracket	1
16	80197A	Screw, M8 x 1.25 x 20mm, Hex Head	1
17	81104A	Nut, 1/4-20 Nylock	1

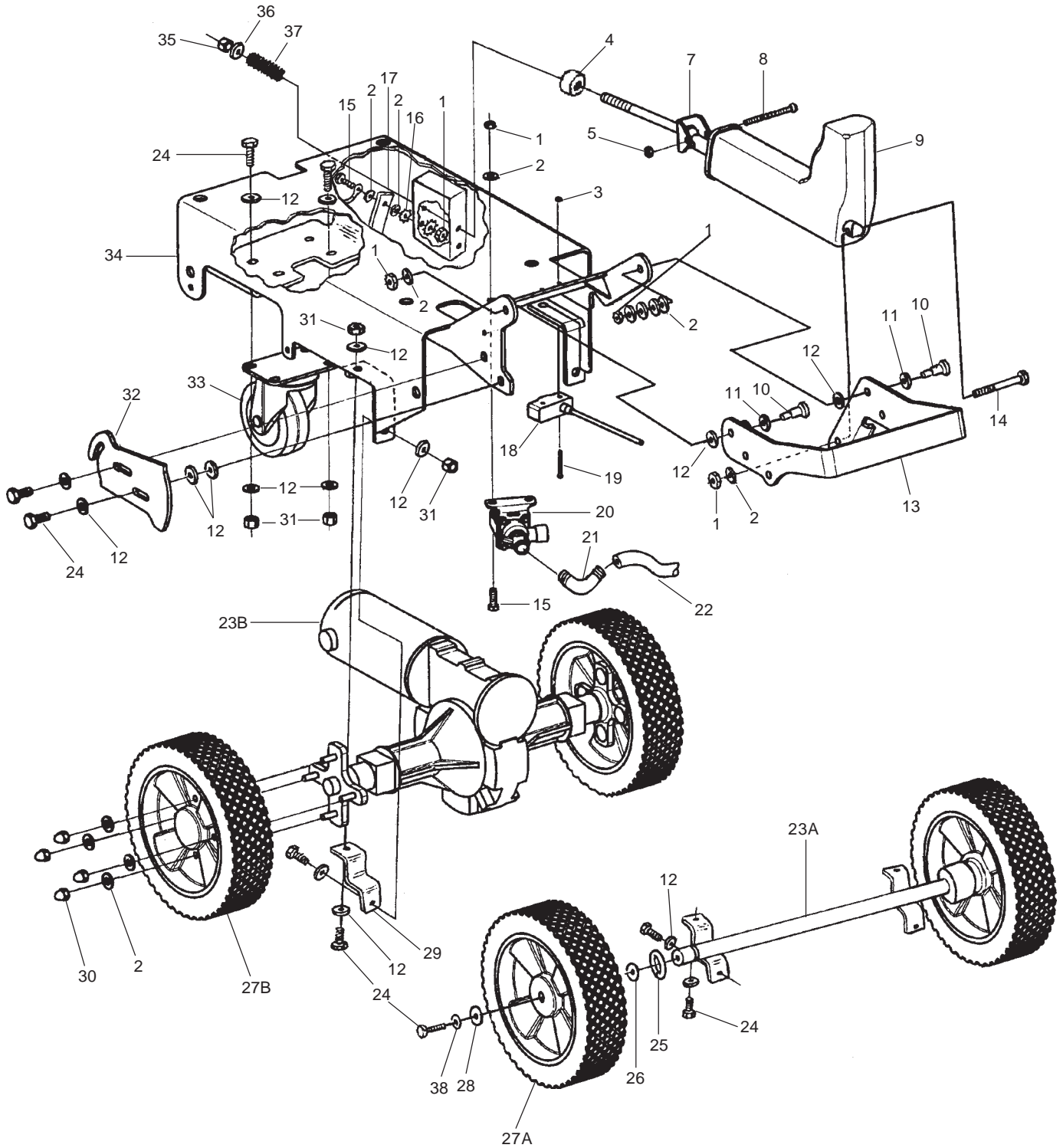
Clarke®  
FOCUS S17/20, L17/20 and L17 Cyl.  
32" Squeegee Assembly 1/05



**Clarke®**  
**FOCUS S17/20, L17/20 and L17 Cyl.**  
**32" Squeegee Parts List 1/05**

Ref. #	Part No.	Description	Qty
1	80252A	Screw, 1/4-20 x 1 Hex SS	4
2	980657	Washer, 1/4 Lock	4
3	60243A	Bracket, Squeegee Wheel	2
4	30049B	Wheel, Squeegee	4
5	81104A	Nut, 1/4-20	2
6	60254A	Bolt, Shoulder 5/16x 2 1/4	2
7	50958A	Ring, 3/8 ID Snap	2
8	30048A	Wheel, Guide, 4 Inch Diameter	2
9	60234A	Channel, Squeegee Weldment 32"	1
10	50835A	Latch, Squeegee Clamp	1
11	930086	Rivet, 3/16 x .450 Aluminum	2
12	60232A	Strap, Clamp, Squeegee Retainer 32	1
13	30067A	Blade, Rear, Gum Rubber, 32"	1
14	30047A	Spacer, Squeegee 32	1
15	30066A	Blade, Front Ribbed 32"	1
16	80011A	Screw, 3/8-16 x 3	2
17	81301A	Nut, 3/8-16 Jam SS	2
18	34260B	Gasket	1
19	25201A	Knob	2
20	60358A	Shim, Squeegee Wheel	2
21	61370A	Weight, Squeegee	4
22	80280A	Nut, Squeegee Backup	2

Clarke®  
FOCUS S17/20, L17/20 and L17 Cyl.  
Frame Assembly 4/06

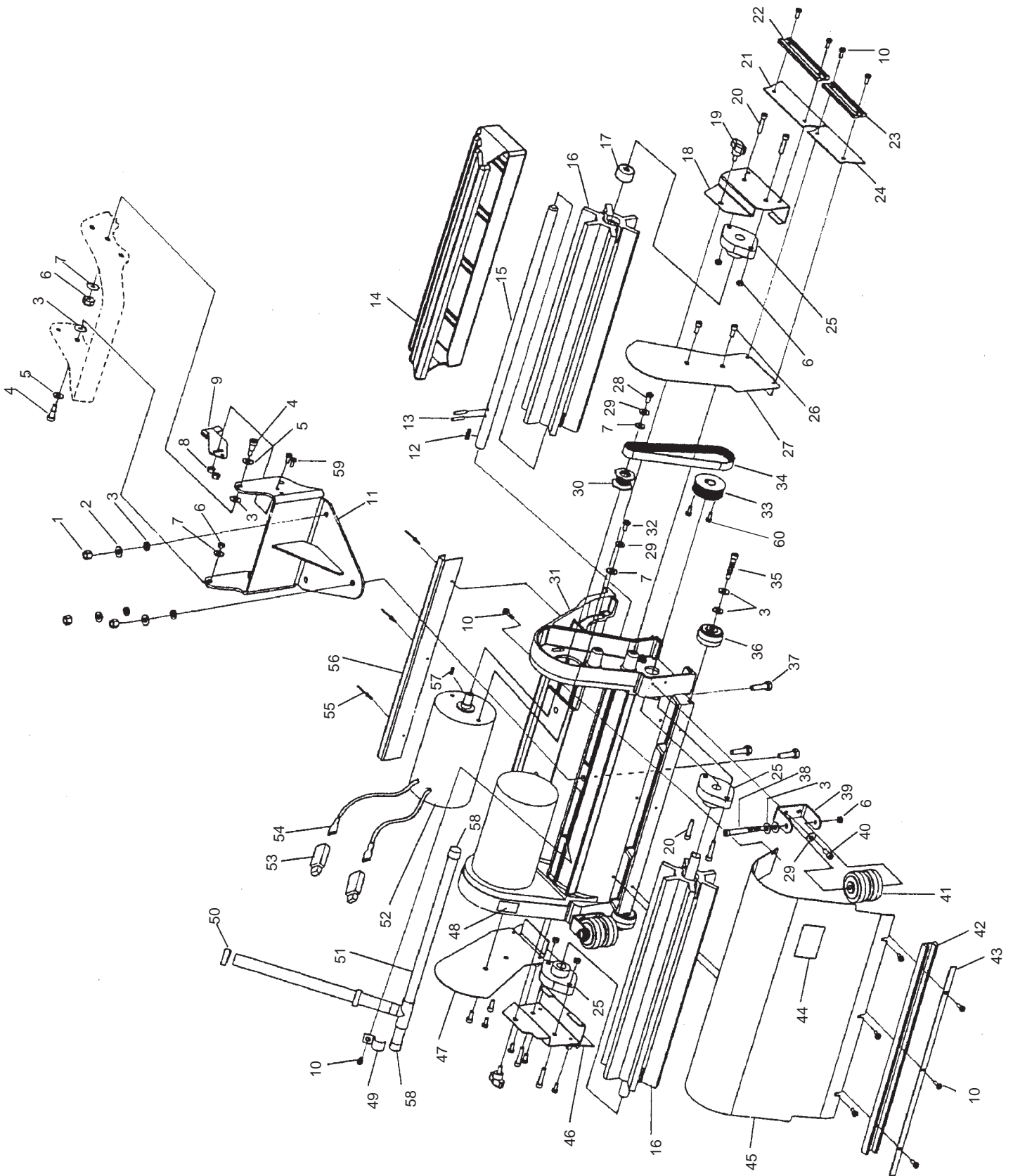


**Clarke®**  
**FOCUS S17/20, L17/20 and L17 Cyl.**  
**Frame Parts List 4/06**

Ref. #	Part No.	Description	Qty S17	Qty L17	Qty L17 Cyl	Qty S20	Qty L20
1	80199A	Nut, M6 x 1, Nylock	5	6	6	5	6
2	87026A	Washer, Flat 1/4" SS	7	17	17	7	17
3	80204A	Nut, M3 x .5 Nylock	2	2	2	2	2
4◆	30750A	Spring, Spacer Urethane (.75" long)	1	1	1	1	1
5	80196A	Nut, M5 x .8 Nylock	1	1	1	1	1
7	61077A	Rear Actuator Bracket	1	1	1	1	1
8	80164A	Shoulder Bolt, M5 x 6 x 20mm	1	1	1	1	1
9◆	61075C	Actuator	1	1	1	1	1
10	80165A	Shoulder Bolt, M6 x 8 x 12mm	2	2	2	2	2
11	980651	Washer, Flat 5/16"	2	2	2	2	2
12	980692	Washer, Flat 5/16" SS	18	18	18	18	18
13	61592A	Lift Bracket	1	1	1	1	1
14	80173A	Bolt, M6 x 1 x 65mm Hex Head	1	1	1	1	1
15	80195A	Screw, M6 x 1 x 20mm Hex Head	2	3	3	2	3
16	980614	Washer, Lock 1/4" Ext Tooth	-	2	2	-	2
17	61302A	Static Strap	-	1	1	-	1
18	47422B	Switch, Wisker	1	1	1	1	1
19	80203A	Screw, M3- x 5 x 30mm Pan Head	2	2	2	2	2
20	59610A	Solution Valve	1	1	1	1	1
21	51526A	Hosebarb, 90°, 3/8 x 3/8	1	1	-	-	-
	52635A	Hosebarb, 90°, 3/8 x 1/2	-	-	1	-	-
22	30311A	Hose	1	1	-	1	1
23A	61455A	Axle, Non-Traverse	1	-	-	1	-
23B	61076A	Transaxle	-	1	1	-	1
24	80197A	Screw, M8 x 1.25 x 20mm Hex Head	12	10	10	12	10
25	57423A	Snap Ring	2	-	-	2	-
26	87616A	Washer, Nylon	4	-	-	4	-
27A	61436A	Wheel, Non-Traverse	2	-	-	2	-
27B	61437A	Wheel, Traverse	-	2	2	-	2
28	980205	Washer, 5/16" Fender	2	-	-	2	-
29	60289A	Transaxle Clamp	-	2	2	-	2
30	81104A	Nut, 1/4-20 ESNA SS	-	8	8	8	8
31	80198A	Nut, M8 x 1.25 Nylock	8	8	8	8	8
32	61079A	Head Bracket	1	1	1	1	1
33	61460A	Caster Assembly	1	1	1	1	1
34	61073A	Main Frame	1	1	1	1	1
35	80223A	Nut, M10 x 1.5 Nylock	1	1	1	1	1
36	980645	Washer, Flat 3/8"	1	1	1	1	1
37◆	54179A	Spring, Front (2.25" long)	1	1	1	1	1
38	980652	Washer, Lock 5/16"	2	-	-	2	-

NOTE: ◆ indicates a change has been made since the last publication of this manual.

Clarke®  
FOCUS L17 Cylindrical  
Cylindrical Head Assembly 1/05

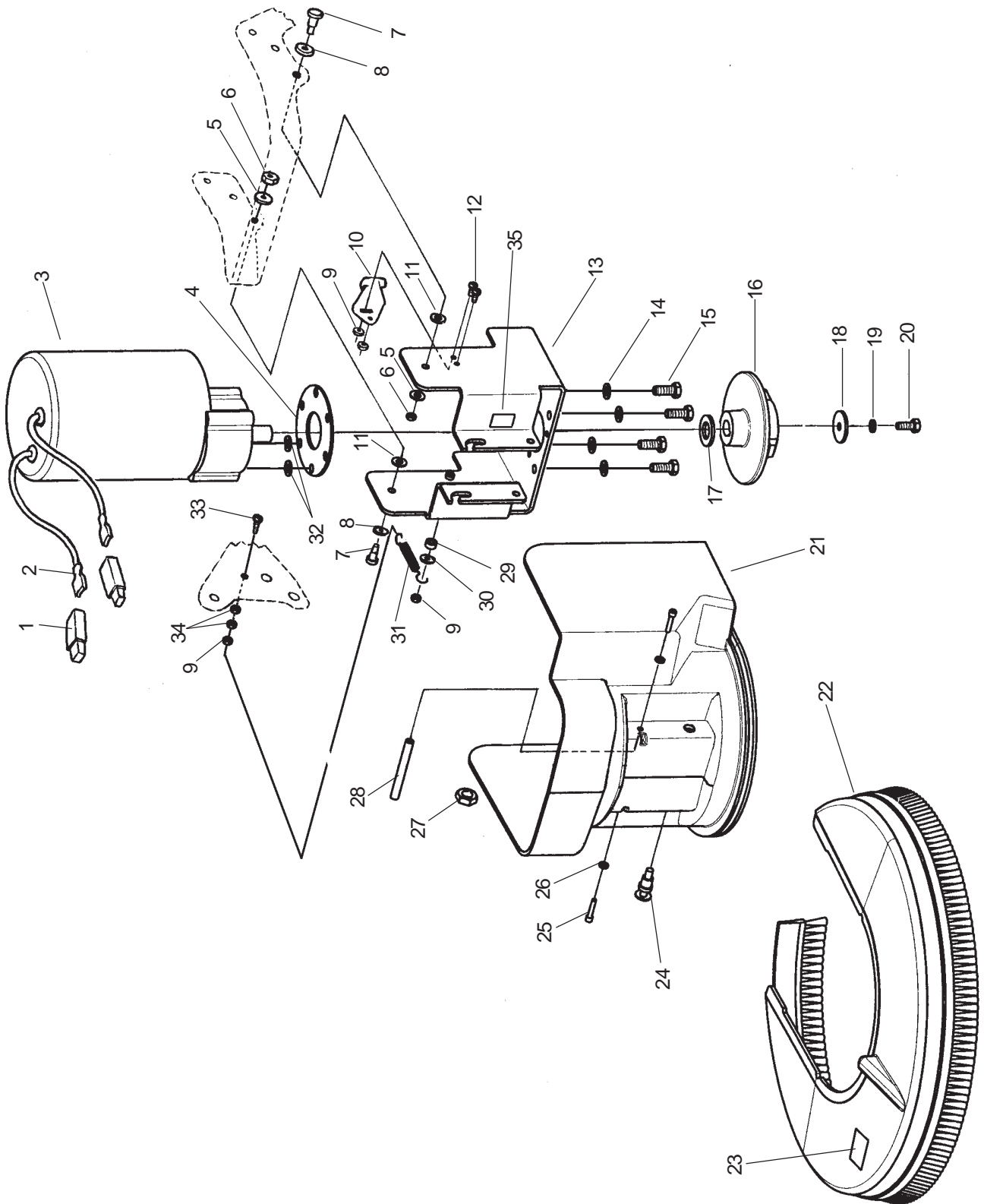


**Clarke®**  
**FOCUS L17 Cylindrical**  
**Cylindrical Head Parts List 1/05**

Ref. #	Part No.	Description	Qty
1	80198A	Nut, M8 x 1.25 Nylock	3
2	980652	Washer, 5/16" Lock	3
3	980692	Washer, 5/16" Flat SS	13
4	80165A	Shoulder Bolt, M6 x 8 x 12mm	2
5	980651	Washer, 5/16" Flat	2
6	80199A	Nut, M6 x 1 Nylock	8
7	87026A	Washer, 1/4" Flat SS	8
8	80196A	Nut, M5 x .8 Nylock	2
9	61306A	Switch Bracket	1
10	80176A	Screw, M5 x .8 x 12mm Pan Hd	17
11	61080A	Head Bracket	1
12	915082	Key, 3/16" Sq. X 3/4"	2
13	50436A	Drive Pin	4
14	30230A	Debris Tray	1
15	61286A	Brush Shaft	2
16	ref.	See accessories page, cyl. brush	2
17	61398A	Brush Spacer	2
18	61449A	Door, L.H. Brush	1
19	52477A	Clamping Knob	2
20	80180A	Screw, M6 x 1 x 30mm Pan Hd	8
21	30545A	Skirt, Brush Door	2
22	30209A	Bumper, Brush Door	2
23	30208A	Bumper, Belt Cover	2
24	30544A	Skirt, Belt Cover	2
25	53399A	Flange Bearing	4
26	80179A	Screw, M6 x 1 x 15mm Pan Hd	4
27	61282A	Cover L.H. Belt	1
28	80214A	Screw, M6 x 1 x 12 Hex Head	2
29	980657	Washer, 1/4" Lock	10
30	61396A	Motor Pulley	2
31	21058A	Brush Housing	1
32	57994A	Screw, M6 x 20mm, Hex Head	4
33	61397A	Brush Pulley	2
34	52818A	Drive Belt	2
35	80178A	Shoulder Bolt, M6 x 8 x 30mm	2
36	59932A	Front Wheel	2
37	80187A	Bolt, M8 x 1.25 x 30mm Hex Hd.	3
38	80177A	Shoulder Bolt, M6 x 8 x 60mm	2
39	61448A	Roller Bracket	2
40	80208A	Screw, M6 x 1 x 10mm Pan Hd	4
41	30049B	Wheel, 1 x 2 x 5/16	4
42	30235A	Bumper, Housing	1
43	61287A	Bumper Retainer	1
44	70465A	Label, 17	1
45	61285A	Motor Cover	1
46	61283A	Door, R.H. Brush	1
47	61450A	Cover, R.H. Belt	1
48	77091A	Label, Moving Parts	2
49	782002	Clamp, Solution Tube	1
50	50248A	Clamp, 3/8 Hose	2
51	10387A	Solution Tube Assembly	1
52	61430A	Motor	2
53	41602A	Housing, Connector	4
54	41601A	Contact, Connector	4
55	930113	Rivet, 1/8"	3
56	61288A	Tray Rail	1
57	80158A	Key, 1/8" Sq. x 1/2"	2
58	53182A	Cap, Tube	2
59	80249A	Screw, M5-.8 x 12 mm HH	2
60	962262	Screw, Set 8-32 x 1/4	2



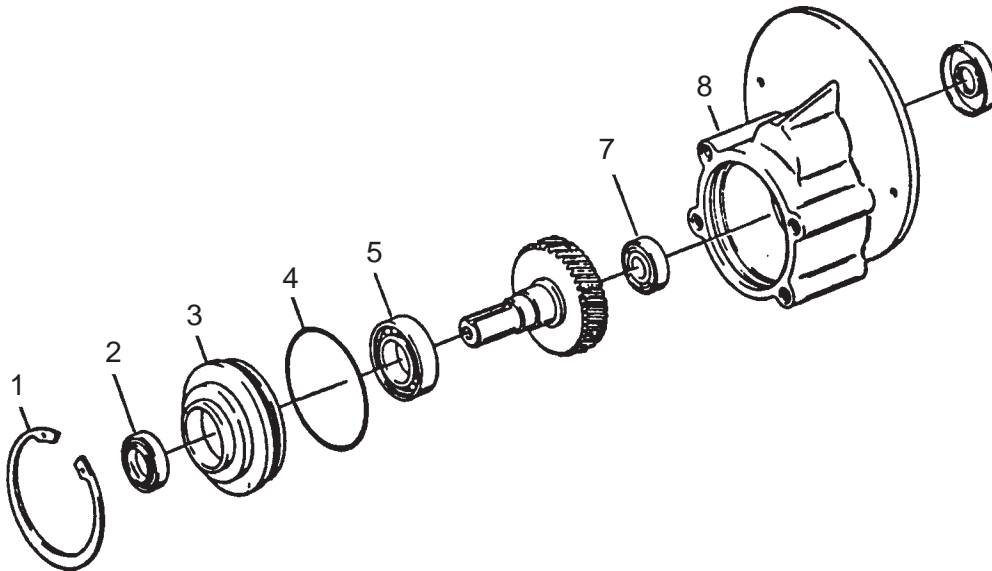
Clarke®  
FOCUS S17/20 & L17/20 Rotary  
Rotary Disk Head Assembly 1/05



**Clarke®**  
**FOCUS S17/20 & L17/20 Rotary**  
**Rotary Disk Head Parts List 1/05**

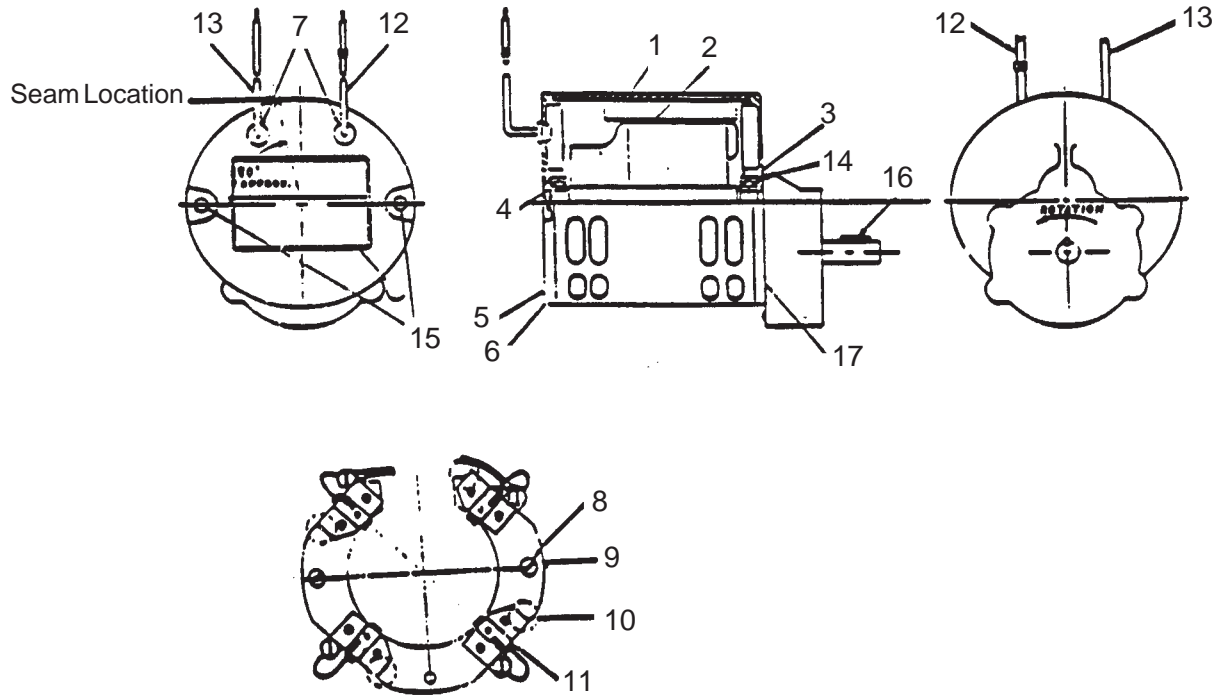
Ref. #	Part No.	Description	Qty S17	Qty L17	Qty S20	Qty L20
1	41602A	Housing, Connector	1	1	1	1
2	41601A	Contact, Connector	1	1	1	1
3	40591A	Brush Motor	1	1	1	1
4	20014A	Motor Shim	1	1	1	1
5	87026A	Washer, Flat 1/4"	2	2	2	2
6	80199A	Nut, M6 x 1 Nylock	2	2	2	2
7	80165A	Shoulder Bolt, M6 x 8 x 12mm	2	2	2	2
8	980651	Washer, Flat 5/16"	2	2	2	2
9	80196A	Nut, M5 x .8 Nylock	3	3	3	3
10	61306A	Switch Bracket	1	1	1	1
11	980692	Washer, Flat 5/16"	2	2	2	2
12	80249A	Screw, M5 x .8 x 12mm Hex Head	2	2	2	2
13	61078A	Motor Mount Bracket	1	1	1	1
	61593A	Motor Mount Bracket	-	-	1	1
14	98451A	Washer, Lock 7/16"	4	4	4	4
15	80184A	Bolt, M10 x 1.5 x 25mm Hex Head	4	4	4	4
16	20308A	Motor Adaptor	1	1	1	1
17	980679	Washer, Flat 3/4"	1	1	1	1
18	980210	Washer, Impeller	1	1	1	1
19	980652	Washer, Lock 5/16"	1	1	1	1
20	80197A	Screw, M8 x 1.25 x 20mm Hex Head	1	1	1	1
21	30216A	Upper Brush Housing	1	1	1	1
	30607A	Upper Brush Housing	-	-	1	1
22	30217A	Lower Brush Housing	1	1	1	1
	30599A	Lower Brush Housing	-	-	1	1
23	70667A	Label, 17	1	1	1	1
	70897A	Label, 20	-	-	1	1
24	66550A	Pin Assembly	1	1	1	1
25	80224A	Shoulder Bolt, M5 x 6 x 16mm	2	2	2	2
26	980643	Washer, Flat	2	2	2	2
27	920278	Nut, 1/2-20 SS Hex	1	1	1	1
28	61289A	Motor Cover Rod	1	1	1	1
29	52515A	Bearing Sleeve	1	1	1	1
30	87036A	Washer, Flat #10	1	1	1	1
31	80227A	Extension Spring	1	1	1	1
32	980645	Washer, Flat 3/8"	2	-	-	-
33	80202A	Screw, M5 x .8 x 15mm, Pan Head	1	1	1	1
34	80169A	Nut, M5 x .8 Hex	2	2	2	2
35	77091A	Label, Moving Parts	1	1	1	1

Clarke®  
**FOCUS S17/20 & L17/20 Rotary  
 Gearbox Assembly and Parts List 1/05**



Ref #	Part No.	Description	Qty
1	57846A	Ring, Snap	1
2	507641	Seal, Oil, Small	1
3	52050A	Cap End	1
4	56668A	O-Ring	1
5	51176A	Bearing, Large	1
7	902605	Bearing, Small	1
9	58144A	Seal, Oil Large	1
10	NI	Darina EP2 Grease	4 oz.
11	52855A	Complete Gearbox Asm.	1

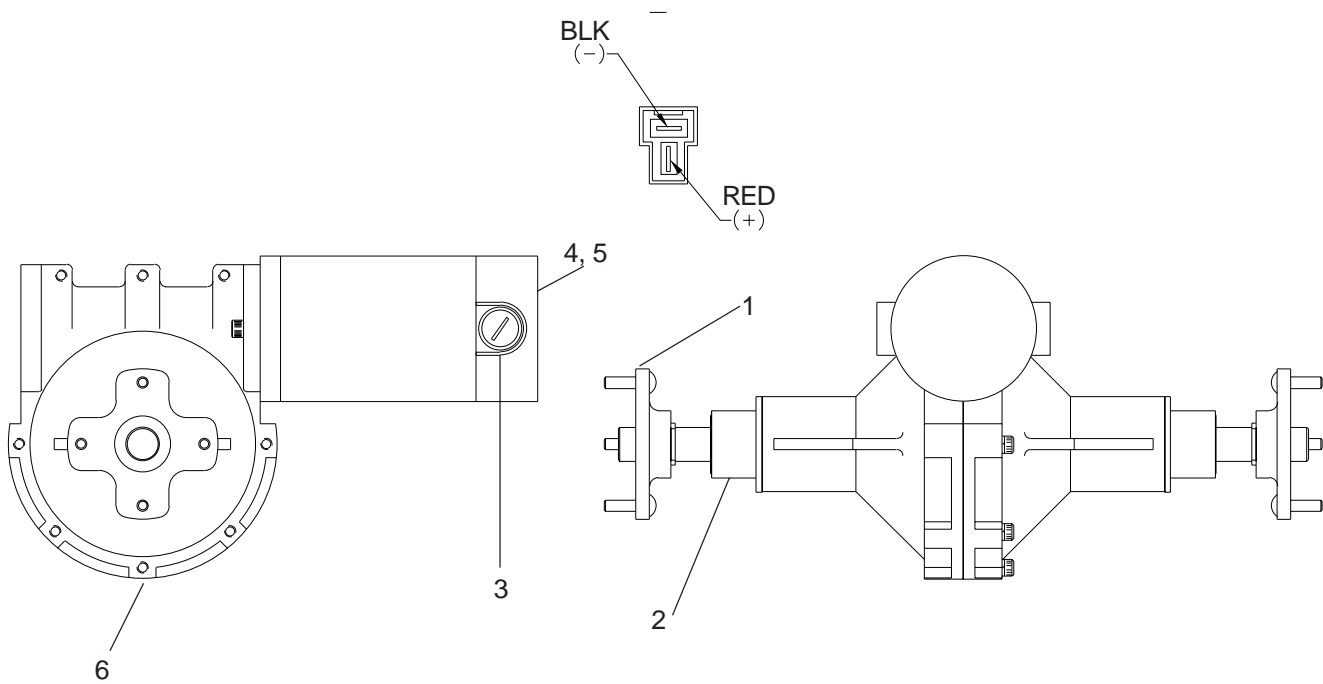
**Clarke®**  
**FOCUS S17/20 & L17/20 Rotary**  
**Brush Motor Assembly and Parts List 1/05**



Item	Part No.	Description	Qty
1	56478A	Stator Frame Assembly (w/Magnets & Clips)	1
2	50142A	Armature Assembly (w. B.E. & F.E. Bearings)	1
3	902654	Bearings B.E.	1
4	902550	Bearing F.E.	1
* 5		Commutator Bracket Assembly (w/Brush BRD Assembly Leads)	1
6	50520A	Commutator Bracket	1
7	56480A	Strain Relief	2
8	962546	Brush Board Screw	2
9	50517A	Brush Board Assembly (w/ Springs & Brushes)	1
10	448396	Brush Spring	4
11	40826A	Brush Assembly	4
12	55657A	Lead Assembly	1
13	55656A	Lead Assembly	1
* 14		Helical Washer	1
15	50515A	Thru Bolt	2
16	80501A	Shaft Key	1
17	54238A	B.E. Bracket Assembly (Gear Box)	1

\* NOTE: Parts not available at this time.

Clarke®  
**FOCUS L17/L20 & L17 Cylindrical  
 Transaxle Drawing 1/05**

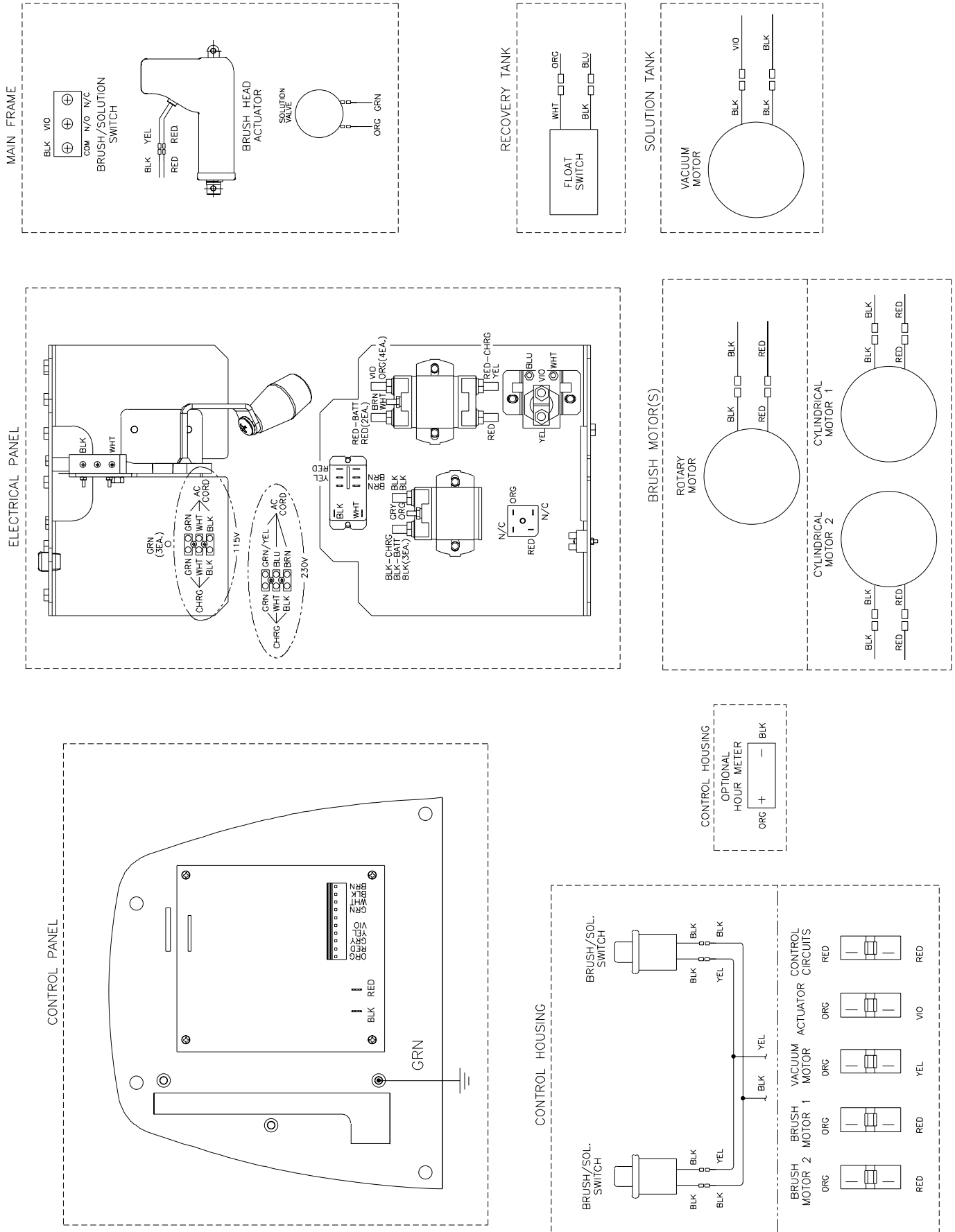


Item	Part No.	Description	Qty
1	10135A	Wheel Flange Kit	2
2	51056A	Transaxle Mounting Sleeve	2
3	40593A	Motor Brush	2
4	40594A	Motor Urethane Sleeve	1
5	40595A	Motor	1
6	40596A	Transaxle Only	1

Specifications:

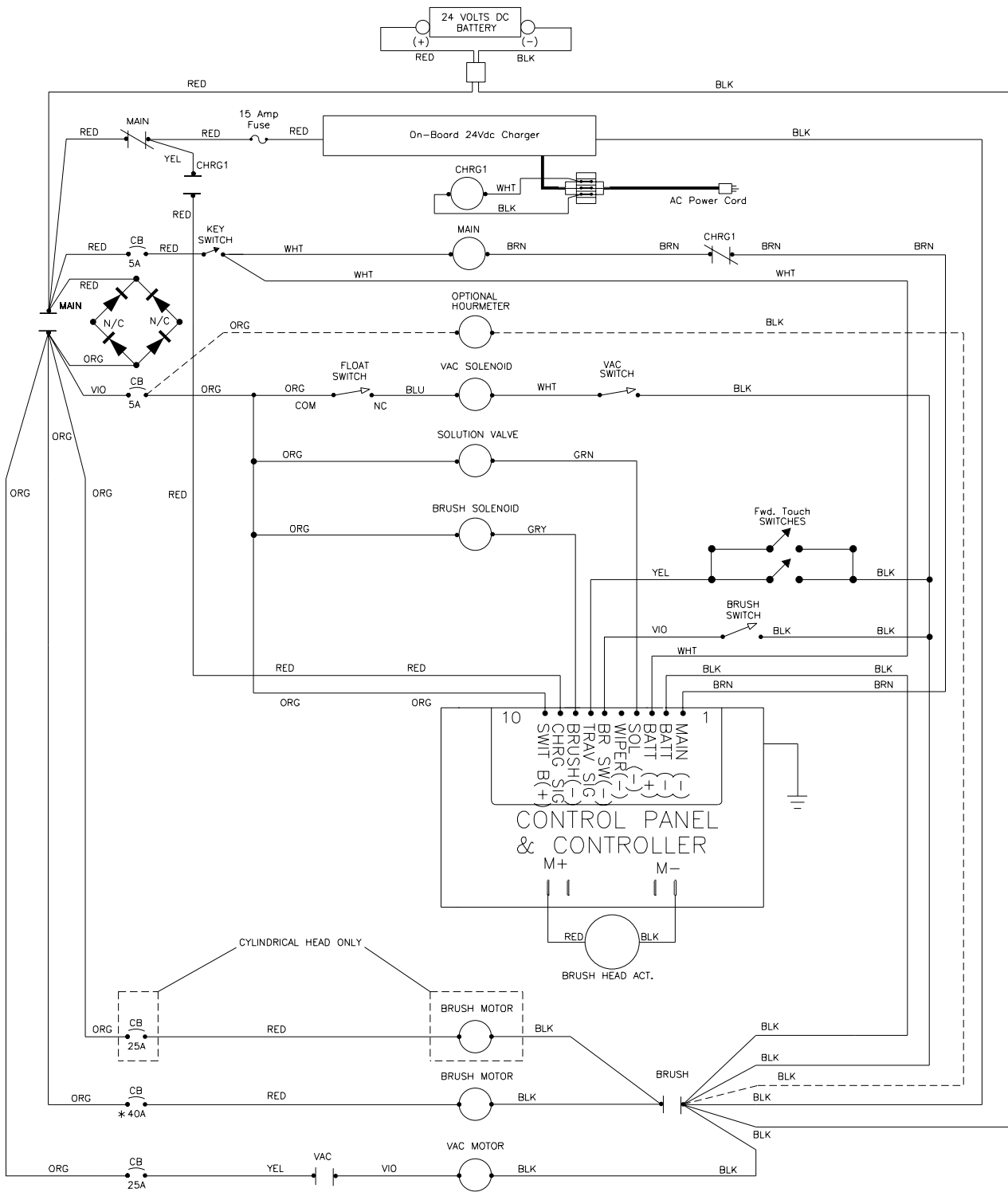
- Motor: 24VDC, Permanent Magnet, Tenv
- Transaxle: 30:1 Ratio
- Gear Oil: Mobile SHC634 12 oz.

Clarke®  
**FOCUS S17/20**  
 Connection Diagram 1/05



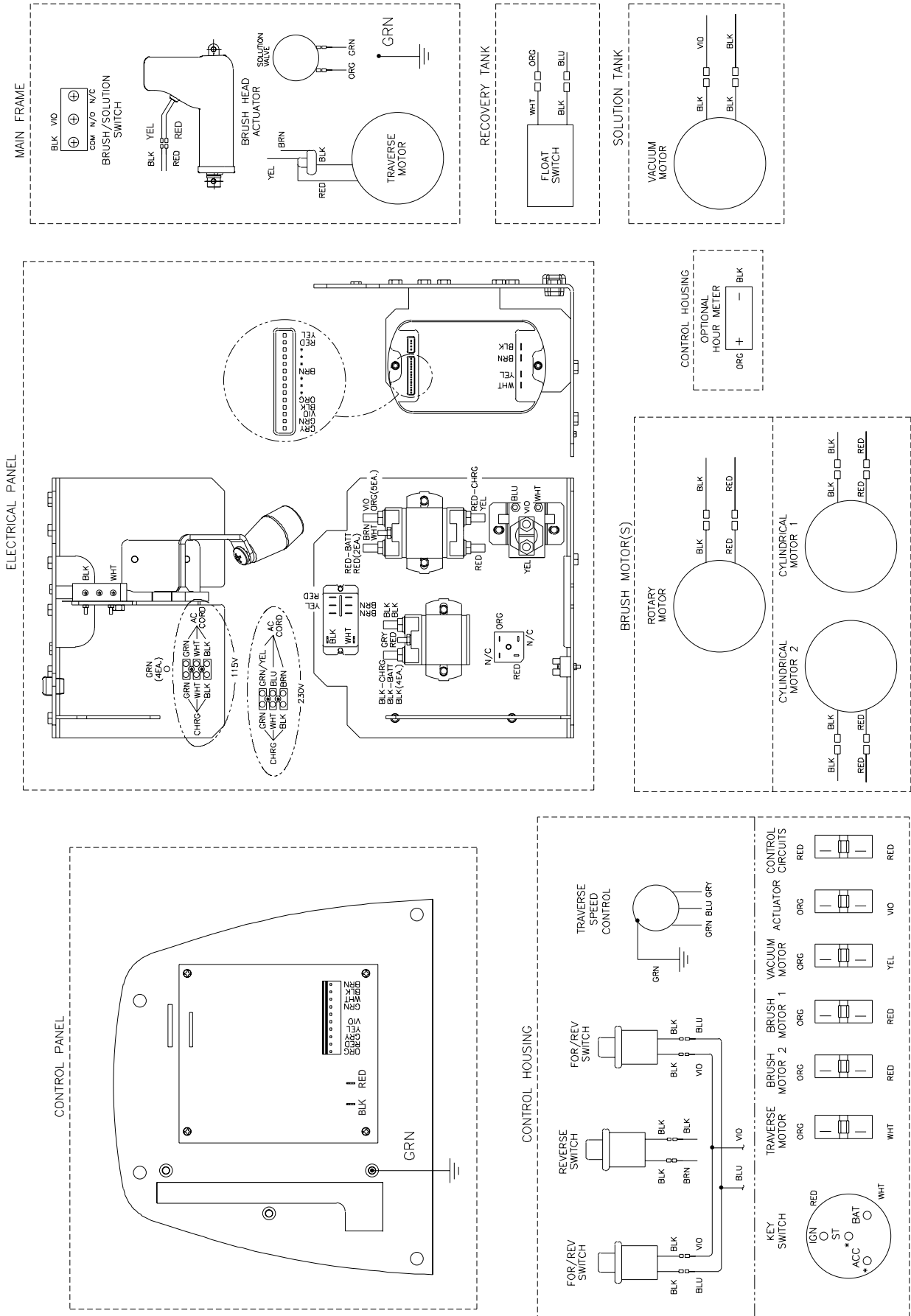


Clarke®  
**FOCUS S17/20**  
 Electrical Schematic 1/05

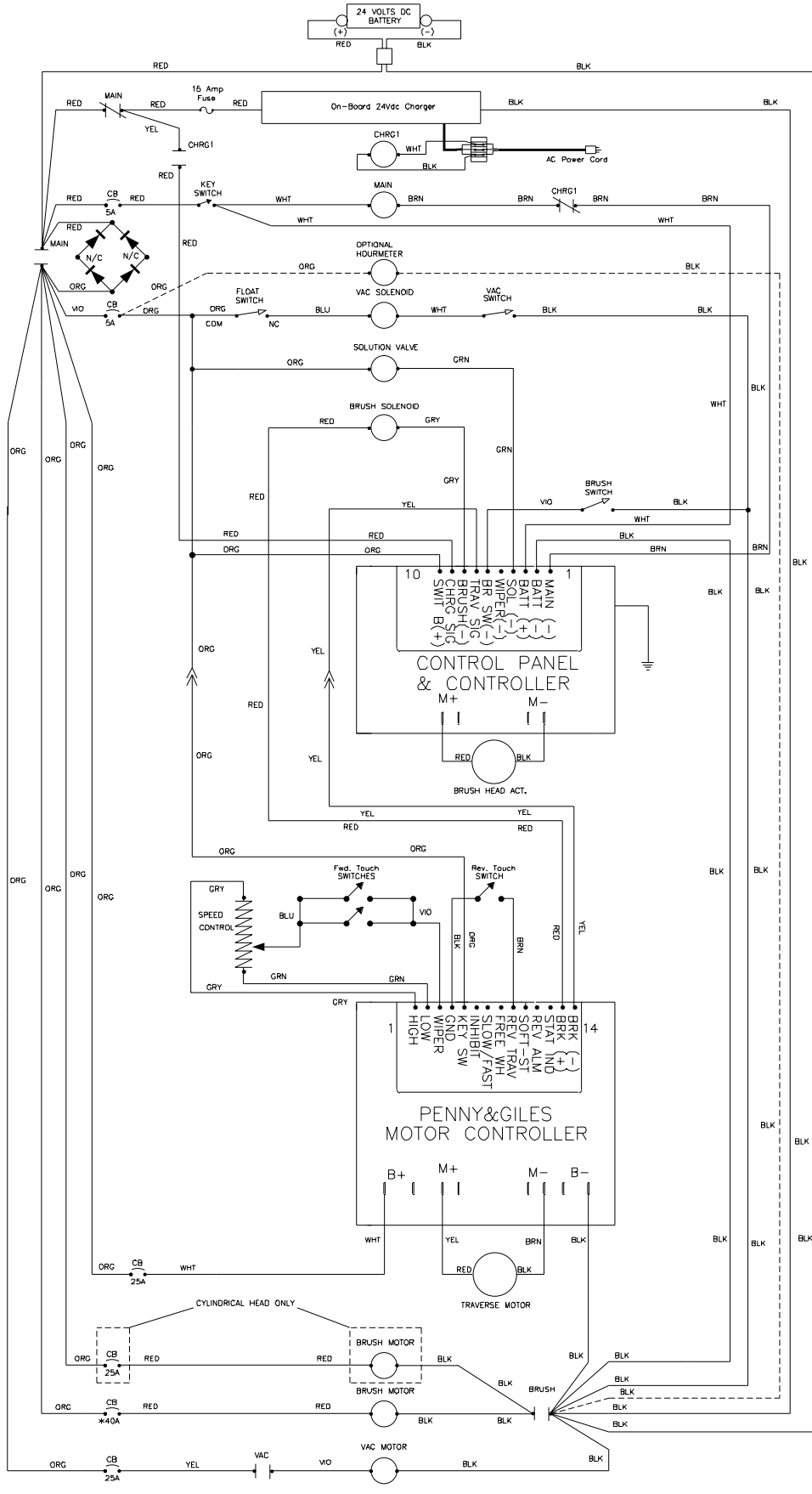


\* FOR CYLINDRICAL HEAD REPLACE WITH 25 AMP CIRCUIT BREAKER

Clarke®  
**FOCUS L17/20**  
 Connection Diagram 1/05



Clarke®  
**FOCUSL17/20**  
 Electrical Schematic 1/05



# CLARKE PRODUCT SUPPORT BRANCHES

## U. S. A. Locations

### PRODUCTION FACILITIES

**Clarke®**, Springdale, Arkansas  
2100 Highway 265  
Springdale, Arkansas 72764  
(479) 750-1000

**Customer Service - 1-800-253-0367**

**Technical Service - 1-800-356-7274**

**American Lincoln®**, Bowling Green, Ohio 43402  
1100 Haskins Road

### SERVICE FACILITIES

**Clarke®**, Elk Grove, Illinois 60007  
2280 Elmhurst Road  
(847) 956-7900

**Clarke®**, Denver, Colorado 80204  
1955 West 13th Ave.  
(303) 623-4367

**Clarke®**, Houston, Texas 77040  
7215 North Gessner Road  
713-937-7717

### SERVICE AND SALES FACILITY

**American Lincoln® / Clarke**, Madison Heights,  
Michigan 48071-0158  
29815 John R.  
(810) 544-6300

**American Lincoln® / Clarke**, Marietta, Georgia 30066  
1455 Canton Road  
(770) 973-5225

---

**Clarke®**

**Clarke American Sanders**

**A.L. Cook**

**Customer Service Headquarters and Factory**  
2100 Highway 265  
Springdale, Arkansas 72764  
(479) 750-1000

**Technical Service**  
1-800-356-7274

## European Locations

### PRODUCTION FACILITIES

ALTO Danmark A/S, Aalborg  
Blytaekkervej 2  
DK-9000 Aalborg  
+45 72 18 21 00

ALTO Danmark A/S, Hadsund  
Industrivarveret  
DK-9560 Hadsund  
+45 72 18 21 00

### SALES SUBSIDIARIES

ALTO US - Canada, Ontario (Canada)  
4080 B Sladeview Crescent Unit 1  
Mississauga, Ontario L5L 5Y5  
(905) 569 0266

ALTO Overseas Inc., Sydney (Australia)  
1B/8 Resolution Drive  
Caringbah NSW 2229  
+61 2 9524 6122

ALTO Cleaning Systems Asia Pte Ltd., Singapore  
No. 17 Link Road  
Singapore 619034  
+65 268 1006

ALTO Deutschland GmbH, Bellenberg (Germany)  
Guido-Oberdorfer-Straße 2-8  
89287 Bellenberg  
+49 0180 5 37 37 37

ALTO Cleaning Systems (UK) Ltd., Penrith  
Gilwilly Industrial Estate  
Penrith  
Cumbria CA11 9BN  
+44 1768 868 995

ALTO France S.A. Strasbourg  
B.P. 44, 4 Place d'Ostwald  
F-67036 Strasbourg  
Cedex 2  
+33 3 8828 8400

ALTO Nederland B.V.  
Postbus 65  
3370 AB Hardinxveld-Giessendam  
The Netherlands  
+31 184 677 200

ALTO Sverige AB, Molndal (Sweden)  
Aminogatan 18  
Box 4029  
S-431 04 Molndal  
+46 31 706 73 00

ALTO Norge A/S, Oslo (Norway)  
Bjornerudveien 24  
N-1266  
+47 2275 1770

## Clarke® LIMITED U.S. WARRANTY

This Clarke Industrial/Commercial Product is warranted to be free from defects in materials and workmanship under normal use and service, when operated and maintained in accordance with Clarke's Maintenance and Operations instructions. The warranty period is subject to the conditions stated below.

### **3 YEARS FOR PARTS AND 1 YEAR FOR SERVICE LABOR** (See exceptions below)

Motors must be inspected for carbon motor brush wear at six-month intervals by an authorized Clarke repair station. Failure to comply with the six-month inspection requirement or failure to replace worn motor brushes identified during the inspection will void the warranty on the motors. Cost of the six-month inspection and replacement of carbon motor brushes is the responsibility of the purchaser. In the event of a warranty claim on the motors, proof of inspection and any required motor brush replacement must be provided. This warranty is extended only to the original purchaser for use of the product. It does not cover normal wear parts such as electrical cable, rubber parts, hoses and motor brushes.

### **BATTERY WARRANTY**

In addition to the items above, any original equipment Clarke Battery which becomes unserviceable under normal use within a period of ninety (90) days from date of sale to the original user will be repaired or replaced with one of equal specification at our option, F.O.B. any authorized Clarke Sales or Service Branch, with no charge to the user, except transportation costs. After expiration of the above ninety (90) day period, any battery which fails under normal use will be adjusted to the original user with a new battery of equal specification on an eighteen (18) months pro rate basis from the date of purchase. Adjustment will be determined using the then current list price, plus transportation costs.

Warranty is rendered null and void if battery is not kept filled to the proper level with DISTILLED WATER.

### **Clarke: POLYDUR® AUTOMATIC SCRUBBER SOLUTION AND RECOVERY TANK EIGHT-YEAR U.S. GUARANTEE**

Your new Clarke machine has polydur Solution and Recovery Tanks. Polydur is a rotationally molded, low-density linear polyethylene that won't crack or dent, and withstands most corrosives and temperature extremes. Clarke backs up your Polydur tanks with an eight-year guarantee. If a tank breaks or leaks under normal use within eight years of the date of purchase, it will be replaced free.

### **Clarke UNIBODY FRAME EIGHT-YEAR U.S. WARRANTY**

Clarke warrants the frame for a period of eight years against defects in materials and workmanship under normal use and service.

### **STATED WARRANTIES ARE IN LIEU OF ALL OTHER WARRANTIES, EXPRESSED OR IMPLIED**

Clarke's liability under this warranty is limited to repair of the product and/or replacement of parts and is given to purchaser in lieu of all other remedies, including INCIDENTAL AND CONSEQUENTIAL DAMAGES.

THERE ARE NO EXPRESS WARRANTIES OTHER THAN THOSE SPECIFIED HEREIN. THERE ARE NO WARRANTIES WHICH EXTEND BEYOND THE DESCRIPTION OF THE FACE HEREOF. NO WARRANTIES, INCLUDING BUT NOT LIMITED TO WARRANTY OF MERCHANTABILITY, SHALL BE IMPLIED. A warranty registration card is provided with your Clarke product. Return the card to assist Clarke in providing the performance you expect from your new floor machine.

If a difficulty develops with the product, you should: a) Contact the nearest authorized Clarke repair location or contact the Clarke Service Operations Department, 2100 Highway 265, Springdale, Arkansas 72764, for the nearest authorized Clarke repair location. Only these locations are authorized to make repairs to the product under this warranty. (b) Return the product to the nearest Clarke repair location. Transportation charges to and from the repair location must be prepaid by the purchaser. Clarke will repair the product and/or replace any defective parts with out charge within a reasonable time after receipt of the product.

Clarke, 2100 Highway 265, Springdale, Arkansas 72764.

**Clarke reserves the right to make changes or improvements to its machine without notice.  
Always use genuine Clarke Parts for repair.**

# Clarke®

2100 Highway 265  
Springdale, Arkansas, 72764

## Free Manuals Download Website

<http://myh66.com>

<http://usermanuals.us>

<http://www.somanuals.com>

<http://www.4manuals.cc>

<http://www.manual-lib.com>

<http://www.404manual.com>

<http://www.luxmanual.com>

<http://aubethermostatmanual.com>

Golf course search by state

<http://golfingnear.com>

Email search by domain

<http://emailbydomain.com>

Auto manuals search

<http://auto.somanuals.com>

TV manuals search

<http://tv.somanuals.com>