
IVIE Enterprises

www.ivie-ent.com Ph:(918)254-5161 or (888)262-5161 Fax:(918)250-4807



Service Manual

STV-20

READ THIS BOOK

This book has important information for the use and safe operation of this machine. Failure to read this book prior to operating or attempting any service or maintenance procedure to your ALTO machine could result in injury to you or to other personnel; damage to the machine or to other property could occur as well. You must have training in the operation of this machine before using it. If you cannot read English, have this manual explained fully before attempting to operate this machine.

All directions given in this book are as seen from the operator's position at the rear of the machine.

For new books write to: ALTO U. S. Inc., 2100 Highway 265, Springdale, Arkansas 72764.

**230 Volt Machine
Instructions For Connection
To The Power Supply
And The Electrical Ground**

This machine must be connected to the electrical ground to protect the operator from electric shock. The machine has an approved power cord with two main conductors and one earthing conductor. Connect the plug to a receptacle as shown in Figure 2. The green (or green and yellow) conductor in the cord is the ground wire. Never connect this wire to any terminal other than the ground terminal.

Make sure you have the correct frequency and voltage before connecting the power cord to an outlet. The machine has a plug as shown in Figure 2. If a receptacle connected to the electrical ground as shown in Figure 2 is not available, have one installed by an electrical contractor. Do not use an adapter.

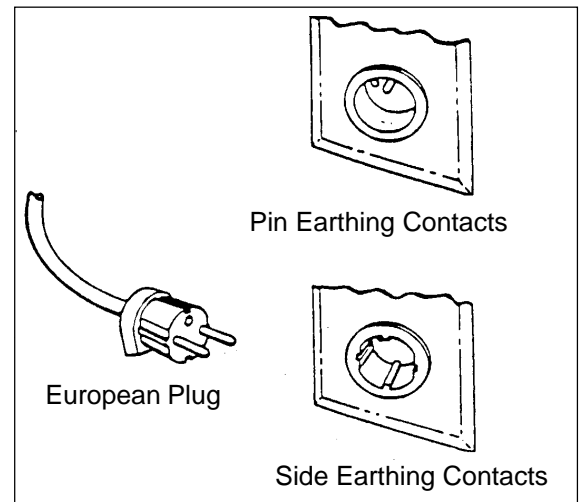


Figure 2

⚠ WARNING: This machine will operate only on AC frequency and electrical voltage shown on the nameplate. Make sure you have the correct frequency and voltage before connecting the power cord to an outlet. If you are not sure, consult your electrical contractor.

⚠ WARNING: Have worn, cut or damaged cords and plugs replaced by an authorized service person.

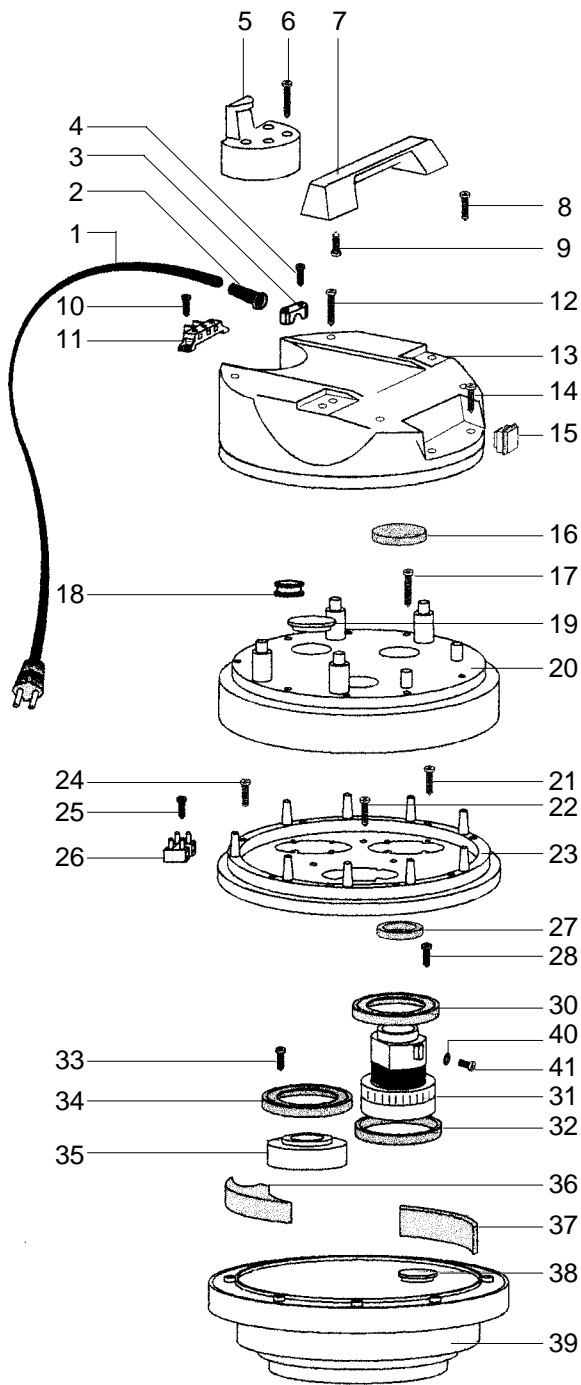
After using this machine, follow these instructions:

- Store the cord on the hook.
- Store the machine indoors away from sources of heat.

This machine is provided with an automatically reset thermal overload to avoid damage to the motor. If the thermal overload stops the motor unplug the machine and follow the procedures below:

- Empty the vacuum tank.
- Shake the filter bag to remove dust.
- In a few minutes the thermal overload will allow restarting of the motor.

CLARKE TECHNOLOGY STV-20
Single Motor Assembly Drawing & Parts List 1/98



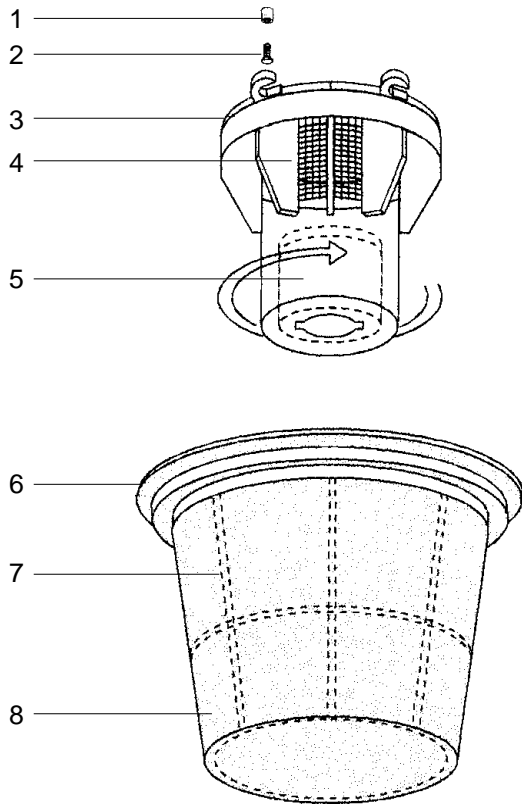
Ref.	Part No.	Description	Qty
1	51841A	Cord, Power	1
2	56448A	Strain Relief	1
3	54503A	Cord, Grip	1
4	56441A	Screw, 5mm x 20mm	2
5	51869A	Cord, Hook	1
6	88304A	Screw 5mm x 50mm	4
7	54922A	Handle, Lift	1
8	56482A	Screw 5mm x 35mm	2
9	56441A	Screw, 5mm x 20mm	4
10	88001A	Screw, 5mm x 14mm	2
11	40409A	Block, Terminal	1
12	88304A	Screw, 5mm x 50mm	2
13	52765A	Cover, Dome	1
14	56441A	Screw, 5mm x 20mm	2
15	47316B	Switch, Rocker	1
16	54064A	Filter, Upper	1
17	88304A	Screw, 5mm x 50mm	9
18	51872A	Clip, Spring	1
19	57162A	Plug, Upper	2
20	52799A	Cover, Motor	1
21	56483A	Screw, 5mm x 40mm	9
22	56483A	Screw, 5mm x 40mm	3
23	58410A	Support, Motor	1
24	58414A	Screw, 5mm x 30mm	1
25	56442A	Screw, 4.3mm x 19mm	1
26	50507A	Block, Terminal	1
27	57877A	Ring, Vac Motor	1
28	56441A	Screw, 5mm x 20mm	4
30	54377A	Gasket, Vac Motor	1
31	56039B	Motor, Vac 115V	1
	56046B	Motor, Vac 230V	1
	40834A	Brush, Carbon 115V	1
	40835A	Brush, Carbon 230V	1
32	54377A	Gasket, Vac Motor	1
33	56441A	Screw 5mm x 20mm	8
34	54377A	Gasket, Vac Motor	2
35	57163A	Plug, Motor	2
36	54058A	Foam, Triangle	3
37	54059A	Filter	3
38	57164A	Plug, Lower	2
39	50760A	Base, Motor	1
40	59859A	Washer, Star	1
41	56485A	Screw, 4mm x 8mm	1
NI	59887A	Wire, Connect	4
NI	52944A	Clip	2

NI= Not Illustrated

IVIE Enterprises

www.ivie-ent.com Ph:(918)254-5161 or (888)262-5161 Fax:(918)250-4807

CLARKE TECHNOLOGY STV-20
Filter Bag & Float Assembly Drawing & Parts List 1/98



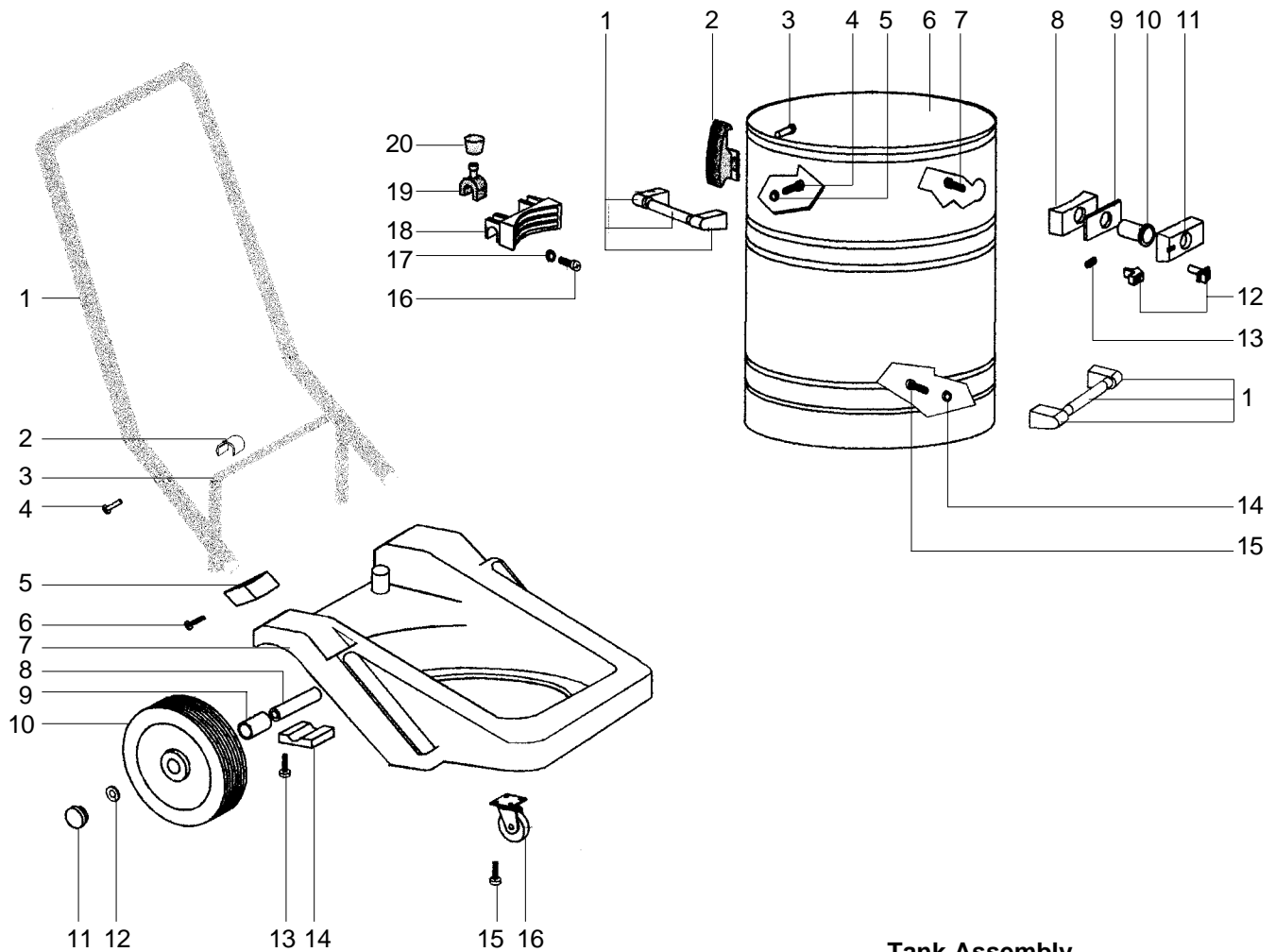
Ref	Part No.	Description	Qty
1	58541A	Spacer, Plastic	4
2	58413A	Screw, 5mm x 20mm	4
3	57856A	Cage, Float	1
4	54027A	Filter	1
5	53981A	Float	1
6	50339A	Adapter, Bag	1
7	50720A	Bag, Filter	1
8	56492A	Support, Filter Bag	1

To add optional filters for STV-20 or STV-20D order:
 54015A Filter, HEPA 1 and 57372A Retainer 1
 or
 53982A Filter, Cartridge 1 and 57372A Retainer 1

Wet Vac Tools

Part No.	Description
59213B	Tool, Squeegee
59214B	Tool, Floor Brush
59215A	Tool, Crevice 38mm
57503A	Reducer, Wand
59860A	Wand, Extension 2 Pc.
59861A	Wand, Chrome 2 Pc
54887A	Hose, 38mm, 2.5m

CLARKE TECHNOLOGY STV-20/STV-20D
Tank Assembly & Tilt and Pour Carriage Drawing & Parts List 1/98



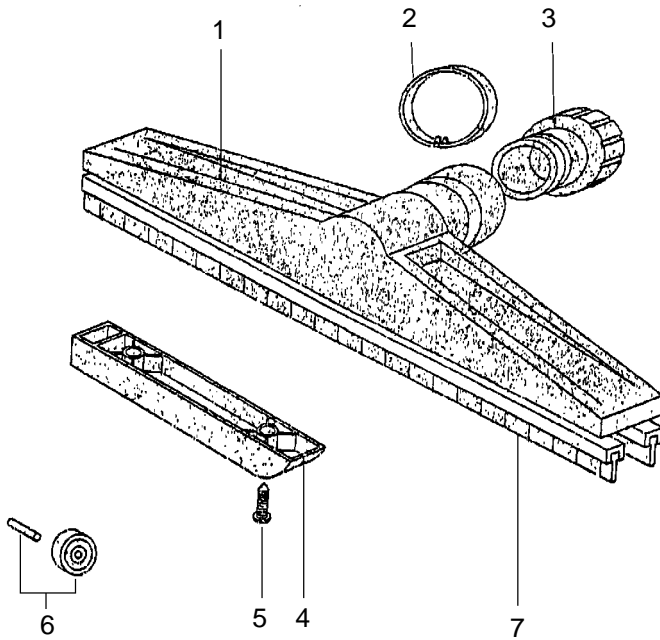
Tilt and Pour Carriage

Ref.	Part No.	Description	Qty
1	54921A	Handle, Transport	1
2	58529A	Spacer, Hinge	2
3	50460A	Pivot, Tank Support	1
4	57380A	Rivet	4
5	56490A	Support, Handle	1
6	56441A	Screw, 5mm x 20mm	4
7	51868A	Carriage, 20 gal.	1
8	50459A	Pivot, Wheel	2
9	51184A	Bearing, Spacer	2
10	59948A	Wheel, 20 gal.	2
11	54897A	Hub Cap	2
12	57853A	Ring, Snap	2
13	56441A	Screw, 5mm x 20mm	8
14	50555A	Block, Stirrup	2
15	56481A	Screw, 5mm x 30mm	8
16	52120A	Caster, Swivel	2

Tank Assembly

Ref.	Part No.	Description	Qty
1	54920A	Handle, Assembly	2
2	51823A	Clamp, Tank	2
3	57374A	Rivet	4
4	56481A	Screw, 5mm x 30mm	8
5	87055A	Washer	8
6	58925A	Tank, SS 20 gal.	1
7	56481A	Screw, 5mm x 30mm	4
8	57375A	Retainer, Poly Tank	1
9	54376A	Gasket, Tank Adaptor	1
10	53166A	Deflector, Tank	1
11	50336A	Adaptor, Hose	1
12	50524A	Button, Push	1
13	58692A	Spring, Push Button	1
14	87055A	Washer	4
15	56481A	Screw, 5mm x 30mm	4
16	56481A	Screw, 5mm x 30mm	4
17	87055A	Washer	4
18	50554A	Body, Hinge	1
19	55008A	Hinge, Locking	2
20	55534A	Knob, Hinge	2

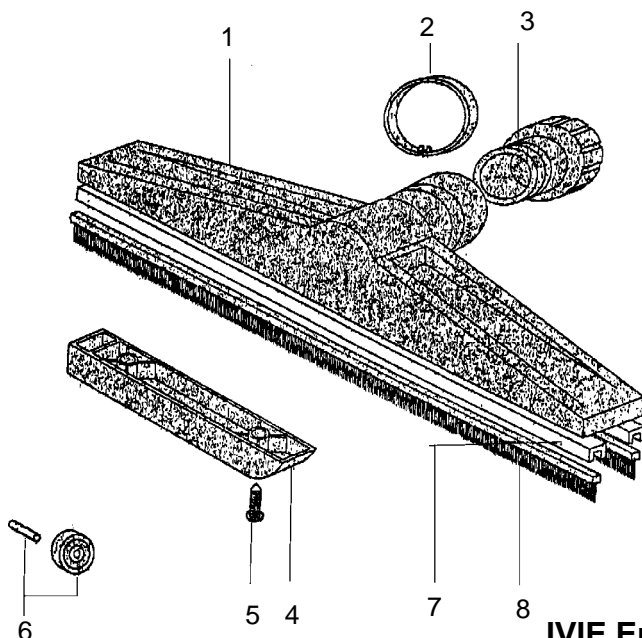
CLARKE TECHNOLOGY STV-20 and STV-20D
Squeegee Tool Drawing & Parts List 1/98



Squeegee Tool - 59213B

Ref.	Part No.	Qty	Description
1	50753A	1	Body, Tool
2	57873A	1	Ring, Floor Tool
3	50357A	1	Adapter, Floor Tool
4	53096A	2	Support, Floor Tool
5	88001A	4	Screw, 5mm x 15mm
6	59970A	2	Wheel & Axle
7	53097A	2	Squeegee Blade

CLARKE TECHNOLOGY STV-20 and STV-20D
Floor Brush Tool Drawing & Parts List 1/98



Floor Brush Tool - 59214B

Ref.	Part No.	Qty	Description
1	50753A	1	Body, Tool
2	57873A	1	Ring, Floor Tool
3	50357A	1	Adaptor, Floor Tool
4	53096A	2	Support, Floor Tool
5	88001A	4	Screw, 5mm x 15mm
6	59970A	2	Wheel & Axle
7	51716A	1	Brush Guide
8	51717A	1	Brush Strip, Serrated

IVIE Enterprises

www.ivie-ent.com

Ph:(918)254-5161 or (888)262-5161 Fax:(918)250-4807

Free Manuals Download Website

<http://myh66.com>

<http://usermanuals.us>

<http://www.somanuals.com>

<http://www.4manuals.cc>

<http://www.manual-lib.com>

<http://www.404manual.com>

<http://www.luxmanual.com>

<http://aubethermostatmanual.com>

Golf course search by state

<http://golfingnear.com>

Email search by domain

<http://emailbydomain.com>

Auto manuals search

<http://auto.somanuals.com>

TV manuals search

<http://tv.somanuals.com>