



# Portable Telephone Amplifier



## User's Guide

# Important Safety Instructions

When using your portable phone amplifier, always follow basic safety precautions to reduce the risk of fire, electrical shock and injury to persons, or property, including the following:

1. Read and understand all instructions, warnings and product markings.
2. Be aware there is a slight possibility of electrical shock from lightning.
3. Do not use this product near or in water or when you are wet. If the product comes in contact with any liquid, unplug the telephone cords immediately. Do not plug the product back in until it has dried completely.
4. Do not use liquid or aerosol sprays for cleaning.
5. If this product does not operate properly, refer to the Warranty information on page 8 of this manual. Do not open this product as you may expose yourself to hazardous voltages or other risks. Opening this product automatically voids the warranty.
6. Unplug this product from the telephone and refer servicing to qualified service personnel under the following conditions:
  - a. If liquid has been spilled on the product.
  - b. If the product has been exposed to rain and water.
  - c. If the product does not operate normally by following the operating instructions. Adjust only those controls that are covered by the operating instructions because improper adjustment of other controls may result in further damage.
  - d. If the product has been dropped or appears damaged.
  - e. If the product exhibits a distinct change in performance.

## SAVE THESE INSTRUCTIONS

# Power Requirements

Your IL30/IL40 is powered by a 9V battery (not included). Install a 9V battery in the battery compartment prior to operation.

**NOTE: Insert the battery with the (+) side going between the guard posts in the battery compartment. The (-) side (larger of the two connectors on the battery) must be on the top. Installing the battery improperly will cause damage to the unit and will void all warranties. Please make specific note to the installation of the battery.**

**Important: Before replacing the battery, make sure to disconnect the IL30/IL40 from the telephone.**

## Installation

1. Unplug the handset cord from your telephone base. Insert this cord into the jack marked "HANDSET" located at the front of the IL30/IL40 Amplifier.
2. Plug one side of the short phone cord (included) into the jack marked "BASE" on the back of the Amplifier.
3. Plug the other side into the telephone base (See Figure 2).
4. Set the Compatibility Switch to the "N" setting. This setting provides compatibility for most telephones. (See Figure 1)
5. Pick up the handset. If you hear a dial tone, your IL30/IL40 Amplifier is installed properly.

**If you do not hear a dial tone or the person you are calling cannot hear you, consult the Troubleshooting Guide on page 5.**

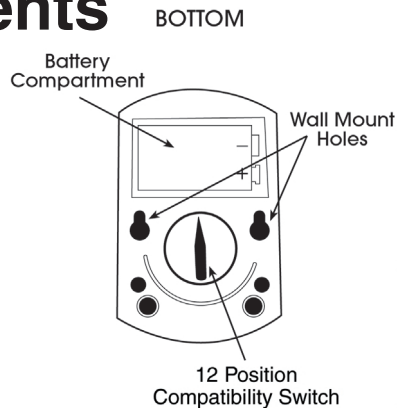


Figure 1

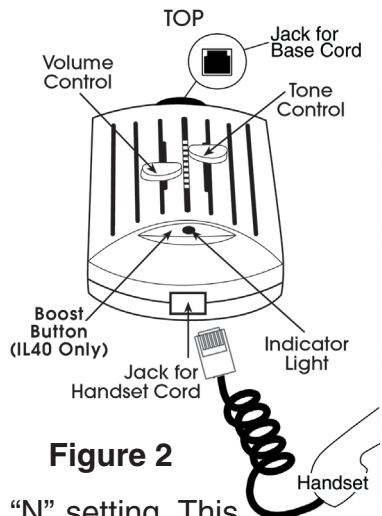


Figure 2

# Operation

## Volume Control

You can adjust the volume level by using the Volume Control Slide located on the top of the unit (left control). Pushing the slide up increases the volume.

## Tone Control

You can adjust the tone by using the Tone Control Switch located on the top of the unit (right control). The Tone Control shapes the sound by increasing the bass or the treble. The Tone Control Switch has five (5) positions. Adjust the Tone Control until you find a position that provides the clearest sound.

## Boost Switch (for IL40 only)

If you require additional amplification at any point in your conversation, for IL40 only simply press & hold the Boost Button located on the top of the unit. When the Boost Button is pressed, the microphone in the handset is muted. This eliminates background noise and feedback. Release the Boost Button when you want to speak. The other party cannot hear you when the Boost Button is pressed. Simply press & hold the Boost Button again, when you want additional amplification.

## Battery Indicator

The battery indicator light comes on each time you pick up the handset to indicate the battery level is ok. If the indicator light does not come on, the battery must be replaced.

***Important: Before replacing the battery, make sure to disconnect the IL30/IL40 from the telephone***

# Troubleshooting

If after installing your IL40/IL30 Amplifier, you do not have a dial tone or the person you called cannot hear you, take the following steps:

1. Check that all connections are plugged in properly
2. Make sure a new battery is installed.
3. Either disconnect the unit or use another phone and check that your phone service is working properly.
4. Change the compatibility setting dial located on the bottom of the unit. (See Figure 1 Page 3)

## Telephone Compatibility

Because not all telephone handsets are wired in a standard way, we have provided a 12-position compatibility switch to accommodate compatibility with a variety of different telephones.

If you do not hear a dial tone or the handset microphone does not work at the “N” setting, you will need to adjust the switch until you find the correct compatibility setting for your phone.

To adjust the compatibility switch:

1. Press & hold the “on-hook” switch on your telephone or place the handset in the cradle.
2. Adjust the switch by turning it one “click” to the next setting.
3. Release the “on-hook” switch or pick up the handset and listen for a dial tone.

Continue this process until you hear a dial tone and the microphone is functional. Once you have located the proper setting, make a note of it in the event it is changed accidentally or you use your IL40/IL30 on a different phone.

***NOTE: The IL30/IL40 cannot be used on any telephone where the keypad is located in the handset.***

# Regulatory Compliance

## Part 68 of FCC Rules Information

This equipment complies with Part 68 of the FCC rules and the requirements adopted by the ACTA. On the bottom of this equipment is a label that contains, among other information, a product identifier in the format US:AAAEQ##TXXXX. If requested, this number must be provided to the telephone company. A plug and jack used to connect this IL30/IL40 to the premises wiring and telephone network must comply with the applicable FCC Part 68 rules and requirements adopted by the ACTA. A compliant telephone cord and modular plug, RJ11C USOC, is provided with this product. It is designed to be connected to a compatible modular jack that is also compliant. See installation instructions for details. The REN is used to determine the number of devices that may be connected to a telephone line. Excessive RENs on a telephone line may result in the devices not ringing in response to an incoming call. In most, but not all areas, the sum of RENs should not exceed five (5.0). To be certain of the number of devices that may be connected to a line, as determined by the total RENs, contact the local telephone company. For products approved after July 23, 2001, the REN for this product is part of the product identifier that has the format US:AAAEQ##TXXXX. The digits represented by ## are the REN without a decimal point (e.g., 03 is a REN of 0.3). For earlier products, the REN is separately shown on the label. If this telephone equipment, the IL30/IL40 amplifier, causes harm to the telephone network, the telephone company will notify you in advance that temporary discontinuance of service may be required. But if advance notice isn't practical, the telephone company will notify the customer as soon as possible. Also, you will be advised of your right to file a complaint with the FCC if you believe it is necessary. The telephone company may make changes in its facilities, equipment, operations or procedures that could af-

fect the operation of the equipment. If this happens the telephone company will provide advance notice in order for you to make necessary modifications to maintain uninterrupted service. If trouble is experienced with this telephone equipment, for repair or warranty information, please contact ClearSounds Communication at 1-800-965-9043. If the equipment is causing harm to the telephone network, the telephone company may request that you disconnect the equipment until the problem is resolved.

**DO NOT DISASSEMBLE THIS EQUIPMENT.** This telephone equipment is not intended to be repaired and it contains no repairable parts. Opening the equipment or any attempt to perform repairs will void the warranty. For service or repairs, call 1-800-965-9043. Connection to party line service is subject to state tariffs. Contact the state public utility commission, public service commission or corporation commission for information.

**NOTICE:** If your home has specially wired alarm equipment connected to the telephone line, ensure the installation of this IL30/IL40 does not disable your alarm equipment. If you have questions about what will disable alarm equipment, consult your telephone company or a qualified installer.”

This device complies with Part 15 of the FCC Rules. Operation is subject to the following two conditions : (1) this device may not cause harmful interference, and (2) this device must accept any interference received, including interference that may cause undesired operation.

**Warning:** Changes or modifications to this unit not expressly approved by the party responsible for compliance could void the user's authority to operate the equipment.

**NOTE:** This equipment has been tested and found to comply with the limits for a Class B digital device, pursuant to Part 15 of the FCC Rules. These limits are designed to provide reasonable

protection against harmful interference in a residential installation. This equipment generates, uses, and can radiate radio frequency energy and, if not installed and used in accordance with the instructions, may cause harmful interference to radio communications. However, there is no guarantee that interference will not occur in a particular installation. If this equipment does cause harmful interference to radio or television reception, which can be determined by turning the equipment off and on, the user is encouraged to try to correct the interference by one or more of the following measures:

- Reorient or relocate the receiving antenna.
- Increase the separation between the equipment and receiver.
- Connect the equipment into an outlet on a circuit different from that to which the receiver is connected.
- Consult the dealer or an experienced radio TV technician for help.

“This product meets the applicable Industry Canada technical specifications.”

Before installing this equipment, users should ensure that it is permissible to be connected to the facilities of the local telecommunications company. The equipment must also be installed using an acceptable method of connection. In some cases, the company's inside wiring associated with a single line individual service may be extended by means of a certified connector assembly (telephone extension cord). The customer should be aware that compliance with the above conditions may not prevent degradation of service in some situations.

Repairs to certified equipment should be made by an authorized Canadian maintenance facility designated by the supplier. Any repairs or alterations made by the user to this equipment, or equipment malfunctions, may give the telecommunications company cause to request the user to disconnect the equipment.



Users should ensure for their own protection that the electrical ground connections of the power utility, telephone lines and internal metallic water pipe system, if present, are connected together. This precaution may be particularly important in rural areas.

Caution: Users should not attempt to make such connections themselves, but should contact the appropriate electric inspection authority, or electrician, as appropriate.

“The Ringer Equivalence Number is an indication of the maximum number of terminals allowed to be connected to a telephone interface. The termination on an interface may consist of any combination of devices subject only to the requirement that the sum of the Ringer Equivalence Numbers of all the devices does not exceed five.”

# Limited Warranty

ClearSounds Communications warrants the IL30/IL40 Portable Telephone Amplifier against any defect in materials or workmanship for the period of one year from the date of purchase.

Within a period of one year from purchase date, ClearSounds Communications will repair or replace (our discretion) your IL30/IL40 Portable Telephone Amplifier at no cost. If we elect to replace your amplifier, we may replace it with a new or reconditioned product of the same or similar design. Repair or replacement will be warranted for a period of 90 days or the original time on the original warranty, whichever is longer.

The guarantee does not cover accidents, negligence or breakage to any parts. This includes shipping damage, failure to follow instructions, misuse, fire, floods, use of incompatible accessories, Acts of God or failure in your phone service carrier's line service. The product must not be tampered with or taken apart by anyone who is not an authorized ClearSounds Communications representative. Tampering with the amplifier will void any written or implied warranties.

ClearSounds Communications shall not be responsible for loss of time, inconvenience, loss of use of your IL30/IL40, property damage caused by your IL30/IL40 or any other incidental or consequential damages.

Warranty service is available only with proof of purchase.

***IMPORTANT: YOUR RECEIPT IS PART OF YOUR GUARANTEE AND MUST BE RETAINED AND PRODUCED IN THE EVENT OF A WARRANTY CLAIM***

Shipping cost must be prepaid and the product must be packaged appropriately for shipping.



8160 Madison Ave., Burr Ridge, IL 60527  
800.956.9043 V — 800.536.8890 TTY  
630.654.9219 FAX • [www.clearsoundscom.com](http://www.clearsoundscom.com)

## Free Manuals Download Website

<http://myh66.com>

<http://usermanuals.us>

<http://www.somanuals.com>

<http://www.4manuals.cc>

<http://www.manual-lib.com>

<http://www.404manual.com>

<http://www.luxmanual.com>

<http://aubethermostatmanual.com>

Golf course search by state

<http://golfingnear.com>

Email search by domain

<http://emailbydomain.com>

Auto manuals search

<http://auto.somanuals.com>

TV manuals search

<http://tv.somanuals.com>