

# Service & Parts Manual

## Convotherm Combination Oven-Steamer

**MODELS:** Electric 10.10 and 6.20



OES-10.10



OES-6.20



OEB-10.10



OEB-6.20



Enodis

1333 East 179th St., Cleveland, Ohio, U.S.A. 44110

Phone: (216) 481-4900 Fax: (216) 481-3782  
Visit our web site at [www.clevelandrange.com](http://www.clevelandrange.com)

0706

# Table of Contents

## **Installation**

|  |       |
|--|-------|
| <i>For the Installer</i> . . . . .         | 1     |
| <i>Warranty</i> . . . . .                  | 2     |
| <i>General Information</i> . . . . .       | 3     |
| <i>Installation Instructions</i> . . . . . | 4-5   |
| <i>Instructions for Casters</i> . . . . .  | 6     |
| <br><u>Specification Sheets -</u>          |       |
| <i>OEB-10.10</i> . . . . .                 | 7-8   |
| <i>OES-10.10</i> . . . . .                 | 9-10  |
| <i>OEB-6.20</i> . . . . .                  | 11-12 |
| <i>OES-6.20</i> . . . . .                  | 13-14 |

## **Operating Instructions**

|   |       |
|---|-------|
| <i>Control Panel, Quick Start</i> . . . . . | 15    |
| <i>Control Panel, Detail View</i> . . . . . | 16-17 |

## **Cleaning Instructions**

|  |       |
|--|-------|
| <i>Cleaning the Oven Chamber</i> . . . . .                       | 18-20 |
| <i>Semi- Automatic Cleaning of Oven Chamber</i> . . . . .        | 21-22 |
| <i>CONVOClean Automatic Cleaning System (optional)</i> . . . . . | 23-24 |
| <i>Descalc Steam Generator</i> . . . . .                         | 25-27 |

## **Service Parts**

|   |       |
|---|-------|
| <u>General Assembly Drawings -</u>  |       |
| <i>10.10 Electric Generator with Cleaning</i> . . . . .                             | 28-29 |
| <i>10.10 Electric Injection with Cleaning</i> . . . . .                             | 30-31 |
| <i>6.20 Electric Generator with Cleaning</i> . . . . .                              | 32-33 |
| <i>6.20 Electric Injection with Cleaning</i> . . . . .                              | 34-35 |
| <br>  |       |
| <i>Component Panel (all models)</i> . . . . .                                       | 36-37 |
| <i>Control Panel, with Picto (all models)</i> . . . . .                             | 38    |
| <i>Base, Electric Injector no Cleaning</i> . . . . .                                | 39    |
| <i>Base, Electric Generator with Cleaning (OEB 10.10)</i> . . . . .                 | 40    |
| <i>Base, Electric Injector with Cleaning (OES 10.10)</i> . . . . .                  | 41    |
| <i>Base, Electric Generator no Cleaning (OEB &amp; OES 6.20)</i> . . . . .          | 42    |
| <i>Base, Electric, Generator with Cleaning (OEB 6.20)</i> . . . . .                 | 43    |
| <i>Outer Base (all models)</i> . . . . .  | 44    |
| <i>Water Hose System, Condenser (all 6.20 models)</i> . . . . .                     | 45    |
| <i>Water Valve w/Cleaning System (OEB 10.10)</i> . . . . .                          | 46    |
| <i>Water Valve (all models)</i> . . . . .   | 47    |
| <i>Water Valve, Injector, Electric (OES 6.20 &amp; 10.10)</i> . . . . .             | 48    |
| <i>Water Supply, Generator W/Cleaning System (OEB &amp; OGB 6.20)</i> . . . . .     | 49    |
| <i>Water Valve (OES 6.20)</i> . . . . .   | 50    |
| <i>Steam Generator, Electric, Heater Selection (OEB 6.20 &amp; 10.10)</i> . . . . . | 51    |
| <i>Steam Generator, Electric (OEB 6.20 &amp; 10.10)</i> . . . . .                   | 52    |

# Table of Contents (continued)

## **Service Parts** (continued)

|  |       |
|--|-------|
| <i>Pump, Steam Generator, Electric, (OEB 6.20 &amp; 10.10)</i> ..... | 53    |
| <i>Door (OES 6.20 &amp; 10.10)</i> .....                             | 54    |
| <i>Sliding Plate, Complete (all models)</i> .....                    | 55-56 |
| <i>Exterior Sheeting (all models)</i> .....                          | 57    |
| <i>Stand, Assembly, Closed Base (all models)</i> .....               | 58    |

### Assemblies, Stacking Kits

|   |    |
|---|----|
| <i>Gas Models (6.20 on 6.20 or 10.20 &amp; 6.10 on 6.10 or 10.10)</i> ..... | 59 |
| <i>Electric Models (6.10 on 6.10 or 10.10)</i> .....                        | 60 |

## **Maintenance**

### OEB 6.20 & 10.10 -

|                                     |       |
|-------------------------------------|-------|
| <i>Sequence of Operations</i> ..... | 61-69 |
| <i>Wiring Diagrams</i> .....        | 70-74 |
| <i>Ladder Diagrams</i> .....        | 75-76 |

### OES 6.20 & 10.10 -

|                                     |       |
|-------------------------------------|-------|
| <i>Sequence of Operations</i> ..... | 77-83 |
| <i>Wiring Diagrams</i> .....        | 84-88 |
| <i>Ladder Diagrams</i> .....        | 89-90 |

# INSTALLATION

## FOR YOUR SAFETY

Do not store or use gasoline or other flammable vapors or liquids in the vicinity of this or any other appliance.

## WARNING

Improper installation, adjustment, alteration, service or maintenance can cause property damage, injury or death. Read the installation, operating and maintenance instructions thoroughly before installing or servicing this equipment.

## WARNING

Disconnect power at the main external power switch before servicing or repairing a Combi. Failure to disconnect power can result in death, injury, and property damage.

**ALL SERVICE MUST BE PERFORMED BY A QUALIFIED  
CLEVELAND RANGE AUTHORIZED TECHNICIAN.**

## WARNING

Do not connect the Combi Oven-Steamer drain connection to any drain material that cannot sustain 140° Fahrenheit. Using drain material that cannot withstand 140° Fahrenheit can result in injury, equipment damage, and property damage.

The Installation Manual is a part of your new Combi Oven-Steamer. You must keep and maintain it for the entire life span of your Combi and pass it on to the next owner of the Combi.

**For complete installation instruction refer to the installation manual  
supplied with the combi.**

This manual may be subject to new technical developments, modifications, and unforeseen errors.

**DO NOT OPERATE OR ATTEMPT TO OPERATE THIS APPLIANCE OR ANY ACCESSORIES WITHOUT READING  
COMPLETELY AND FULLY UNDERSTANDING THIS MANUAL**

**For caster equipped Combis: Per separate instructions, connect the strain relief (restraining device) and complete any remaining installation procedures BEFORE starting the Combi.**

**Convotherm by Cleveland Combi Oven-Steamers are intended for other than household use.**

# Cleveland STATEMENT OF POLICIES

## LIMITED WARRANTY

CLEVELAND RANGE products are warranted to the original purchaser to be free from defects in materials and workmanship under normal use and service for the standard warranty period of one year from date of installation or 18 months from date of shipment, whichever ever comes first.

CLEVELAND RANGE agrees to repair or replace, at its option, f.o.b. factory, any part which proves to be defective due to defects in material or workmanship during the warranty period, providing the equipment has been unaltered, and has been PROPERLY INSTALLED, MAINTAINED, AND OPERATED IN ACCORDANCE WITH THE CLEVELAND RANGE OWNER'S MANUAL.

CLEVELAND RANGE agrees to pay any FACTORY AUTHORIZED EQUIPMENT SERVICE AGENCY (within the continental United States, and Hawaii) for reasonable labor required to repair or replace, at our option, f.o.b. factory, any part which proves to be defective due to defects in material or workmanship, during the labor warranty period. This warranty includes travel time not to exceed two hours and mileage not to exceed 50 miles (100 miles round-trip), BUT DOES NOT INCLUDE POST START-UP, TIGHTENING LOOSE FITTINGS, MINOR ADJUSTMENTS, MAINTENANCE, CLEANING OR DESCALING.

The standard labor warranty allows factory payment of reasonable labor required to repair or replace such defective parts. Cleveland Range will not reimburse the expense of labor required for the repair or replacement of parts after the standard warranty period, unless an Extended Labor Warranty Contract has been purchased to cover the equipment for the balance of the warranty period from the date of equipment installation, start-up, or demonstration.

PROPER INSTALLATION IS THE RESPONSIBILITY OF THE DEALER, THE OWNER-USER, OR INSTALLING CONTRACTOR, AND IS NOT COVERED BY THIS WARRANTY. Many local codes exist, and it is the responsibility of the owner and installer to comply with these codes. Cleveland Range equipment is built to comply with applicable standards for manufacturers, including UL, ANSI, NSF, ASME/Ntl. Bd., CSA, and others.

BOILER (Steam Generator) MAINTENANCE IS THE RESPONSIBILITY OF THE OWNER-USER AND IS NOT COVERED BY THIS WARRANTY. The use of good quality feed water is the responsibility of the Owner-User (see Water Quality Recommendations below). THE USE OF POOR QUALITY FEED WATER WILL VOID EQUIPMENT WARRANTIES. Boiler maintenance supplies, including boiler hand hole gaskets, are not warranted beyond the first 90 days after the date the equipment is placed into service. Preventive maintenance records must be available showing descaling per applicable Cleveland Operator Manual for Boiler Proration Program considerations.

### WATER QUALITY RECOMMENDATIONS

|                        |              |                      |
|------------------------|--------------|----------------------|
| TOTAL DISSOLVED SOLIDS | less than    | 60 parts per million |
| TOTAL ALKALINITY       | less than    | 20 parts per million |
| SILICA                 | less than    | 13 parts per million |
| CHLORIDE               | less than    | 30 parts per million |
| pH FACTOR              | greater than | 7.5                  |

The foregoing shall constitute the sole and exclusive remedy of original purchaser and the full liability of Cleveland Range for any breach of warranty. THE FOREGOING IS EXCLUSIVE AND IN LIEU OF ALL OTHER WARRANTIES, WHETHER WRITTEN, ORAL, OR IMPLIED, INCLUDING ANY WARRANTY OF PERFORMANCE, MERCHANTABILITY, OR FITNESS FOR PURPOSE, AND SUPERSEDES AND EXCLUDES ANY ORAL WARRANTIES OR REPRESENTATIONS, OR WRITTEN WARRANTIES OR REPRESENTATIONS, NOT EXPRESSLY DESIGNATED IN WRITING AS A "WARRANTY" OR "GUARANTEE" OF CLEVELAND RANGE MADE OR IMPLIED IN ANY MANUAL, LITERATURE, ADVERTISING BROCHURE OR OTHER MATERIALS.

CLEVELAND RANGE'S liability on any claim of any kind, including negligence, with respect to the goods or services covered hereunder, shall in no case exceed the price of the goods or services, or part thereof, which gives rise to the claim. IN NO EVENT SHALL CLEVELAND RANGE BE LIABLE FOR SPECIAL, INCIDENTAL, OR CONSEQUENTIAL DAMAGES, OR ANY DAMAGES IN THE NATURE OF PENALTIES.

# GENERAL INFORMATION ABOUT COMBIS

## A. PRODUCT INFORMATION

Cleveland Range, LLC assigns two product identification numbers to each Combi: a model number and a serial number. The model number identifies the product characteristics. The serial number identifies the individual unit.

### 1. Model Number

- a. This manual covers installation of the OEB and OES model electric powered Combis.
- b. Model Number Key: "O" stands for the Combi series Oven, "E" or "G" designates Electric or Gas, "B" designates Steam Generator, and "S" designates Boilerless. The first number designates the number of shelves in the oven rack. The second number is either ".10" for 12" X 20" steam table pans or ".20" for 18" X 26" full size sheet pans. For further information, contact your Convotherm by Cleveland sales representative or Cleveland Range.

### 2. Serial Number and Equipment Record


During manufacture, Combis are assigned individual serial numbers. Please provide the following information when you contact Cleveland Range or a qualified Cleveland Range authorized service representative:

Serial Number \_\_\_\_\_  
(Write the Serial Number of your Combi here.)

Model Number \_\_\_\_\_  
(Write the Model Number of your Combi here.)

### 3. Product Information Plate

The Product Information Plate on the left side of the unit lists the model, serial number, electric, and wiring requirements of the steamer. Figure 1-1 illustrates a typical Product Information Plate.

|   |          |                             |                 |                              |                             |   |
|---|----------|-----------------------------|-----------------|------------------------------|-----------------------------|---|
| <b>Enodis®</b>  |          | <b>CLEVELAND RANGE, LLC</b> |                 |                              |                             |   |
|   |          | <b>CLEVELAND, OHIO</b>      |                 |                              |                             |   |
| Model No.   | 6.20 OEB | Serial No.                  | WC 62092-05F-01 |                              |                             |   |
| VOLTS   | PH       | WIRES                       | HZ              | MAXIMUM<br>FULL LOAD<br>AMPS | MINIMUM<br>SUPPLY<br>A.W.G. |  |
| 208   | 3        | 3                           | 60              | 45.5                         | 6                           |   |
| 240   | 3        | 3                           | 60              | 51.8                         | 6                           |   |
|   |          |                             |                 |                              |                             |   |
| <p>CAUTION: FOR SUPPLY CONNECTION USE ONLY COPPER WIRE OF THE GAUGE<br/>         NOTED ABOVE SUITABLE FOR AT LEAST 90 °C ( 194 °F)<br/>         ATTENTION: POUR L'ALIMENTATION UTILISEZ DES FILS DE CUIVRE DE CALIBRE TEL<br/>         QUE MENTIONNÉ CI-HAUT ET SUFFISANT POUR AU MOINS 90 °C ( 194 °F)</p> |          |                             |                 |                              |                             |   |
| COMMERCIAL COOKING APPLIANCE  |          |                             |                 |                              | 111530                      | A   |

**Figure 1-1**  
**Typical Product Information Plate**

# INSTALLATION INSTRUCTIONS

---

## A. GENERAL

This equipment should be installed only by qualified, professional plumbers, pipe fitters, and electricians.

1. The installation of this Combi must conform with:
  - a. The National Electrical Code, ANSI/NFPA 70 (latest edition), or the Canadian Electrical Code, CSA C22.2 as applicable.
  - b. The Food Service Sanitation Manual of the Food and Drug Administration (FDA).
  - c. All applicable national, state, and local laws, codes, and regulations.
2. This equipment is to be installed to comply with the applicable federal, state, or local plumbing codes.
3. Installation instructions must be read in their entirety before starting installation of a Combi.
4. Install the Combi according to the policies and procedures outlined in this manual.

### DANGER

Improper installation, adjustment, alteration, service, or maintenance of a Combi, or installation of a damaged Combi can result in DEATH, INJURY, EQUIPMENT DAMAGE, and void the warranty.

**NEVER** install damaged Combis.

**ALWAYS** have qualified Cleveland Range authorized personnel install and service Combis.

5. Inspect the Combi for shipping damage.
  - a. Check carton and packing for shipping damage.
  - b. Note any damage on the shipping paperwork as soon as the carton arrives.
  - c. Unpack the Combi and check for shipping damage.
  - d. If the Combi is damaged or damage is suspected:
    - 1) Inform your dealer at once.
    - 2) Inform Cleveland Range in writing within 3 days.
    - 3) Submit a Damage Claim to the shipper.

---

## B. INSTALLATION OF THE COMBI – General Instructions

General Instructions:

1. Select the Combi's operating location.
2. Complete the water, drain, and electric lines before positioning and leveling the Combi.
3. Position and level the Combi.
4. Connect the utility lines after positioning and leveling the Combi.
5. Call Cleveland Range at 216-481-4900 for the Free Start-Up Program's Performance Checkout.
6. After Setup and Performance Checkout, the Combi should provide years of reliable operation.

### DANGER

**Improper lifting can result in DEATH, INJURY, AND EQUIPMENT DAMAGE.  
Use enough workers with training and experience lifting heavy equipment to place  
Combis on supporting surfaces, and lift and handle Combis and accessories.**

### DANGER

**Operating an out of level Combi can cause DEATH, INJURY, and EQUIPMENT DAMAGE.  
Combis must be level both front-to-back and side-to-side in all installations.  
NEVER operate an out of level Combi.  
If a Combi is suspected to be out of level, shut it down at once and call you qualified  
Cleveland Range authorized service agency at once.**



---

### C. SPECIAL INSTRUCTIONS FOR CASTER EQUIPPED COMBI STANDS AND COMBIS

1. Read all instructions before beginning installation.
2. Level the floor if needed.
3. **NOTE:** Combis on caster-equipped stands have less adjustment for level than adjustable foot equipped stands.
4. The front wheels of caster-equipped stands and Combis have locks. Check the caster locks for function and position before installation.
5. Follow the separate instructions included with the Stand, Stacking Kit, or Caster Kit.
6. Make sure the Stand, Stacking Kit, or Caster Kit matches the Combi(s).
7. Use only genuine Cleveland Range Stands, Stacking Kits, Caster Kits, and replacement parts.
8. Use of Stands, Stacking Kits, Caster Kits, and replacement parts other than genuine Cleveland Range Stands, Stacking Kits, and Caster Kits and replacement parts can result in injury and / or catastrophic equipment failure, and voids the Warranty.
9. The appliance must be secured to building structure, to prevent any strain on the utility connections, and to help reduce the risk of electric shock.
10. The strain relief (restraining device) must be installed to limit the movement of the appliance without depending on the water and electric connectors or their associated piping (water or electric). See separate instructions for attachment location and other details.
11. Connect the strain relief (restraining device) BEFORE starting the Combi
12. If the strain relief (restraining device) must be disconnected, it must be reconnected after the Combi has been returned to its originally installed position BEFORE restarting the Combi.
13. Prepare the installation location as described in the Combi Installation Manual.
14. The Combi shall be installed using flexible conduit.
15. Mechanically secure the flexible conduit to the Combi's electrical access hole.



## COMBI OVEN-STEAMER



Featuring the  
**"Advanced Closed System +3"**

**ELECTRIC HEATED – with Steam Generator****Cooking Modes:**

- Hot Air
- Retherm
- "Delta T" slow cooking
- Steam
- "Cook & Hold"
- "Crisp & Tasty"
- Combi

**Cleveland Standard Features:**

- "Advanced closed system" with "Crisp & Tasty" de-moisturizing feature
- Efficient heating system for hot air and steam generator saves energy and provides fast heat up times
- Fully insulated steam generator and cooking compartment for maximum energy savings
- Polished cooking compartment with covered corners for easy cleaning
- Three (3) 12" x 20" wire shelves
- Hinged fan guard and hinged removable pan racks
- Two (2) speed auto reversing convection fan for even heat distribution
- Space saving, easy to close "Disappearing Door"
- Door latch with safety vent position and wear-free door switch
- Vented, double glass door with integrated door stop and self draining condensate drip pan
- Easy to change, press-fit door seal
- Oven light with shock resistant safety glass
- Multipoint core temperature probe
- Easy to use electronic controls for all operational functions
- Self diagnostic system with full text message display
- Easy to understand menu icons with bright graphics display
- User friendly selector dial
- Exclusive "Smart Key" for selecting option settings
- Digital controls for temperature, time and core probe settings
- Eight (8) "Press & Go" one step, recipe start buttons
- Cook book library for up to 250 stored recipe programs, each recipe capable of 20 steps
- RS 232 connection for controlling one unit with a PC (personal computer)
- Memory module automatically saves unit settings and recipes
- Manual program override feature for operational settings
- Smooth action hand shower for compartment cleaning

**Electric Steam Generator**

- Built-in automatic rinse system
- Automatic fill and water level control
- Automatic generator drain

**MODEL:**  OEB-10.10

**CAPACITY:** TEN (10) – 12" by 20" by 2 1/2" steam table pans

ITEM NUMBER \_\_\_\_\_

JOB NAME / NUMBER \_\_\_\_\_

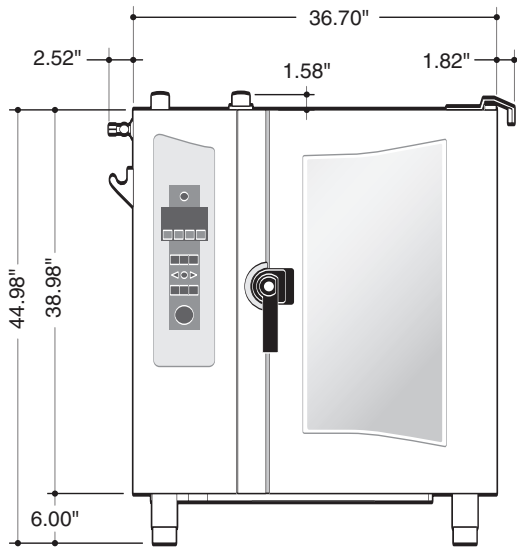
**Short Form Specifications**

Shall be Cleveland Model: OEB-10.10 Combination Convection Oven / Steamer with simple to operate electronic programmable controls for Hot Air, Convection Steam, and Combination cooking modes, "Cook & Hold" and "Delta T" slow-cooking capabilities, "Advanced Closed System" with "Crisp & Tasty" de-moisturizing feature. Multiple cooking stage programs, stored recipe library, multipoint core temperature probe, "Press & Go", one-step recipe start buttons, "Smart Key" for selecting option settings, Two (2) speed auto reversing convection fan. Electric steam generator with automatic drain. "Disappearing Door". Capacity for ten (10) 12" x 20" x 2 1/2" pans.

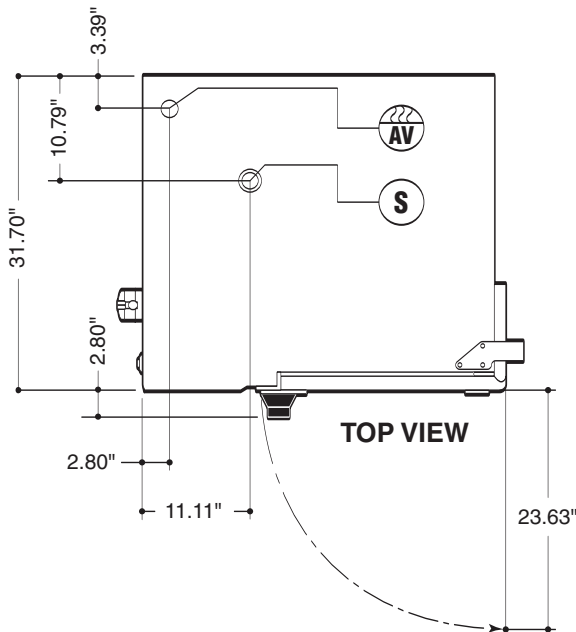
**Options and Accessories**

- ConvoClean automatic compartment washing system
- PC-HACCP software for establishing "HACCP controls" and automatic documentation of the cooking process
- Equipment stand(s)
- Equipment stand(s) with Casters
- Stacking kit for mounting one (1) OEB-6.10 model on top of one (1) OEB-10.10
- Lockable cover over operating controls for prison installations
- USB or RS 485 connection for networking and controlling up to 32 units with a personal computer
- Plate rack for banquet operations
- Plate rack cart
- Thermal cover for plate or pan rack
- ConvoClean compartment cleaning solution
- ConvoCare concentrate for compartment rinse cycle
- "Dissolve" generator descaling solution
- Chicken Grill Rack
- 12" x 20" Wire Baskets for frying products
- Additional 12" x 20" Wire Shelves

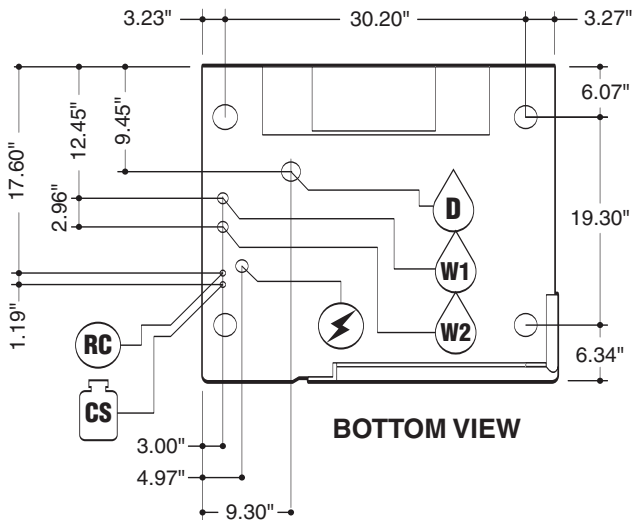
SECT. IIC PAGE 3  
0406



**FRONT VIEW**



**TOP VIEW**



**BOTTOM VIEW**

**The "Advanced Closed System" offers the following advantages:**

- Saves energy
- Automatic moisture level adjustment
- Low heat and steam emission to the kitchen
- Automatically regulated steam injection
- Enables immediate change into the steam mode
- "Crisp & Tasty" demisterizing function

**Model:** OEB-10.10

**Pan Capacity** [Unit has 11 slide rails at 2.64" (67mm) apart]:

- 10 (12" x 20" x 2 1/2") steam table pans
- 11 (12" x 20" x 1") steam table pans
- 11 (13" x 20") half size wire racks
- 11 (13" x 18") half size sheet pans
- 10 (12" x 20") frying baskets - (no wire racks needed)

**For Banquet Operations:** Optional Plate Rack holds 32 plates

**Unit Dimensions:** Width - 41.04", Depth - 34.50", Height - 45.68"

**Shipping Dimensions:** Width - 47", Depth - 41", Height - 54" (including packaging)

**Shipping Weight:** 475 Lbs

**Required Clearances:** Rear - 2", Left Side - 4", Right Side - 2 1/2"

- Allow for sufficient distance if a "high heat source" (i.e. Broiler) is located next to the unit.
- Allow for sufficient clearance on left side for service access (contact the factory service department for recommendations).
- Installation must comply with all local fire and health codes.

**Agency Approvals:** UL, UL - Sanitation (NSF Standards)



| <b>Electrical Requirements:</b> | 208/3/60 | 240/3/60 | 440/3/60 | 480/3/60 |
|---------------------------------|----------|----------|----------|----------|
| Total Connected Load:           | 16.4 KW  | 21.6 KW  | 18.5 KW  | 22 KW    |
| Hot Air:                        | 14.7 KW  | 19.6 KW  | 16.5 KW  | 19.6 KW  |
| Steam Generator:                | 12.8 KW  | 17.1 KW  | 14.3 KW  | 17.1 KW  |
| Amps per Phase:                 | 45.5     | 51.8     | 24.2     | 26.4     |

Do not connect to a G.F.I. outlet

**Water Connections:** Cold Water (drinking water quality)  
 Flow Pressure: 30 - 60 PSI  
 Water Inlets: 3/4" GHT-F (Female Garden Hose Connection)



Treated Water for Steam Generator



Untreated Water for Condenser and Hand Shower



**Drain Connection:** 2" Tube

**Venting:** Exhaust Hood required



Air Vent



\*Connection for Cleaning Solution



\*Connection for Rinse Cycle



Low Pressure Safety Valve

\*Available as an option

**NOTES:**

Cleveland Range reserves right of design improvement or modification, as warranted.  
 Many regional, state and local codes exist and it is the responsibility of the owner and installer to comply with the codes.  
 Cleveland Range equipment is built to comply with applicable standards for manufacturers.



## COMBI OVEN-STEAMER



Featuring the  
**"Advanced Closed System +3"**

**ELECTRIC HEATED – Boilerless****Cooking Modes:**

- Hot Air
- Retherm
- "Delta T" slow cooking
- Steam
- "Cook & Hold"
- "Crisp & Tasty"
- Combi

**Cleveland Standard Features:**

- "Advanced closed system" with "Crisp & Tasty" de-moisturizing feature
- Efficient heating system saves energy and provides fast heat up times
- Fully insulated cooking compartment for maximum energy savings
- Polished cooking compartment with coved corners for easy cleaning
- Three (3) 12" x 20" wire shelves
- Hinged fan guard and hinged removable pan racks
- Two (2) speed auto reversing convection fan for even heat distribution
- Space saving, easy to close "**Disappearing Door**"
- Door latch with safety vent position and wear-free door switch
- Vented, double glass door with integrated door stop and self draining condensate drip pan
- Easy to change, press-fit door seal
- Oven light with shock resistant safety glass
- Multipoint core temperature probe
- Easy to use electronic controls for all operational functions
- Self diagnostic system with full text message display
- Easy to understand menu icons with bright graphics display
- User friendly selector dial
- Exclusive "**Smart Key**" for selecting option settings
- Digital controls for temperature, time and core probe settings
- Eight (8) "**Press & Go**" one step, recipe start buttons
- Cook book library for up to 250 stored recipe programs, each recipe capable of 20 steps
- RS 232 connection for controlling one unit with a PC (personal computer)
- Memory module automatically saves unit settings and recipes
- Manual program override feature for operational settings
- Smooth action hand shower for compartment cleaning
- Injection system for steam

**Options and Accessories**

- ConvoClean automatic compartment washing system
- PC-HACCP software for establishing "HACCP controls" and automatic documentation of the cooking process
- Equipment stand(s)
- Equipment stand(s) with Casters

**MODEL:**  OES-10.10

**CAPACITY:** TEN (10) – 12" by 20" by 2 1/2" steam table pans

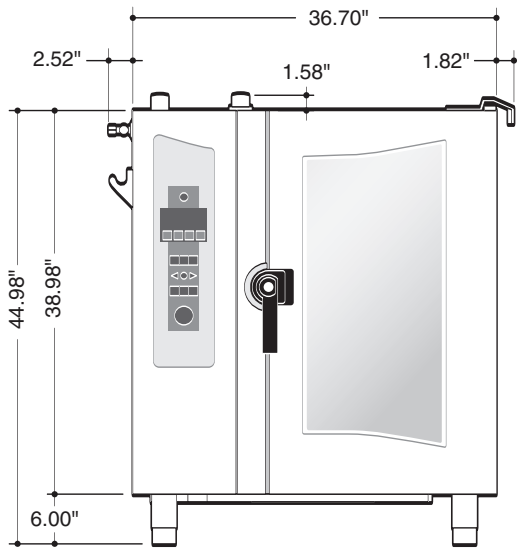
ITEM NUMBER \_\_\_\_\_

JOB NAME / NUMBER \_\_\_\_\_

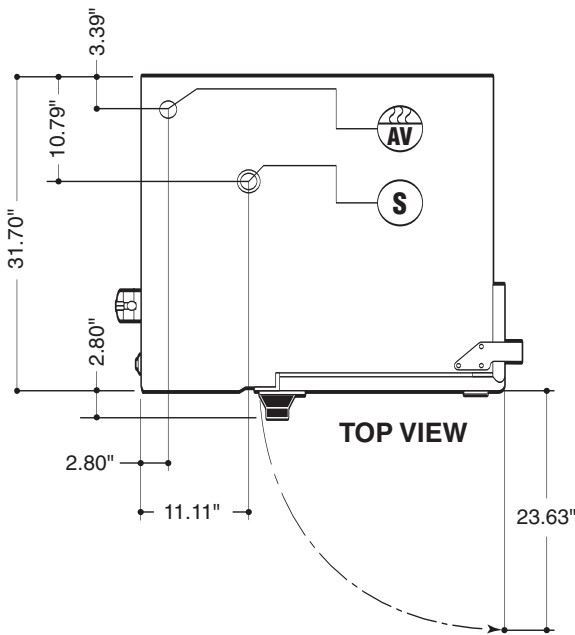
**Short Form Specifications**

Shall be Cleveland Model: OES-10.10 Combination Convection Oven / Steamer with simple to operate electronic programmable controls for Hot Air, Convection Steam, and Combination cooking modes, "**Cook & Hold**" and "**Delta T**" slow-cooking capabilities, "**Advanced Closed System**" with "**Crisp & Tasty**" de-moisturizing feature. Multiple cooking stage programs, stored recipe library, multipoint core temperature probe, "**Press & Go**", one-step recipe start buttons, "**Smart Key**" for selecting option settings, two (2) speed auto reversing convection fan, boilerless. "**Disappearing Door**". Capacity for ten (10) 12" x 20" x 2 1/2" pans. pans.

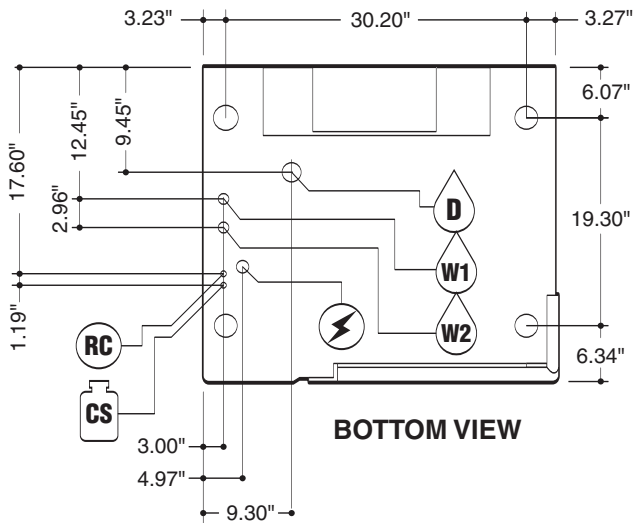
- Stacking kit for mounting one (1) OES-6.10 model on top of one (1) OES-10.10
- Lockable cover over operating controls for prison installations
- USB or RS 485 connection for networking and controlling up to 32 units with a personal computer
- Plate rack for banquet operations
- Plate rack cart
- Thermal cover for plate or pan rack
- ConvoClean compartment cleaning solution
- ConvoCare concentrate for compartment rinse cycle
- "Dissolve" generator descaling solution
- Chicken Grill Rack
- 12" x 20" Wire Baskets for frying products
- Additional 12" x 20" Wire Shelves



**FRONT VIEW**



**TOP VIEW**



**BOTTOM VIEW**

**NOTES:**

Cleveland Range reserves right of design improvement or modification, as warranted.  
 Many regional, state and local codes exist and it is the responsibility of the owner and installer to comply with the codes.  
 Cleveland Range equipment is built to comply with applicable standards for manufacturers.

**The "Advanced Closed System" offers the following advantages:**

- Saves energy
- Automatic moisture level adjustment
- Low heat and steam emission to the kitchen
- Automatically regulated steam injection
- Enables immediate change into the steam mode
- "Crisp & Tasty" demisterizing function

**Model:** OES-10.10

**Pan Capacity** [Unit has 11 slide rails at 2.64" (67mm) apart]:

- 10 (12" x 20" x 2 1/2") steam table pans
- 11 (12" x 20" x 1") steam table pans
- 11 (13" x 20") half size wire racks
- 11 (13" x 18") half size sheet pans
- 10 (12" x 20") frying baskets - (no wire racks needed)

**For Banquet Operations:** Optional Plate Rack holds 32 plates

**Unit Dimensions:** Width - 41.04", Depth - 34.50", Height - 45.68"

**Shipping Dimensions:** Width - 47", Depth - 41", Height - 54"  
 (including packaging)

**Shipping Weight:** 475 Lbs

**Required Clearances:** Rear - 2", Left Side - 4", Right Side - 2 1/2"

- Allow for sufficient distance if a "high heat source" (i.e. Broiler) is located next to the unit.
- Allow for sufficient clearance on left side for service access (contact the factory service department for recommendations).
- Installation must comply with all local fire and health codes.

**Agency Approvals:** UL, UL - Sanitation (NSF Standards)



| <b>Electrical Requirements:</b> | 208/3/60 | 240/3/60 | 440/3/60 | 480/3/60 |
|---------------------------------|----------|----------|----------|----------|
| Total Connected Load:           | 16.4 KW  | 21.6 KW  | 18.5 KW  | 22 KW    |
| Hot Air:                        | 14.7 KW  | 19.6 KW  | 16.5 KW  | 19.6 KW  |
| Amps per Phase:                 | 45.5     | 51.8     | 24.2     | 26.4     |

Do not connect to a G.F.I. outlet

**Water Connections:** Cold Water (drinking water quality)  
 Flow Pressure: 30 - 60 PSI  
 Water Inlets: 3/4" GHT-F (Female Garden Hose Connection)



Treated Water for Steam Production



Untreated Water for Condenser and Hand Shower



**Drain Connection:** 2" Tube

**Venting:** Exhaust Hood required



Air Vent



\*Connection for Cleaning Solution



\*Connection for Rinse Cycle



Low Pressure Safety Valve

\*Available as an option



## COMBI OVEN-STEAMER



Featuring the  
**"Advanced Closed System +3"**

**ELECTRIC HEATED – with Steam Generator****Cooking Modes:**

- Hot Air
- Retherm
- "Delta T" slow cooking
- Steam
- "Cook & Hold"
- "Crisp & Tasty"
- Combi

**Cleveland Standard Features:**

- "Advanced closed system" with "Crisp & Tasty" de-moisturizing feature
- Efficient heating system for hot air and steam generator saves energy and provides fast heat up times
- Fully insulated steam generator and cooking compartment for maximum energy savings
- Polished cooking compartment with coved corners for easy cleaning
- Three (3) 26" x 20" wire shelves
- Hinged fan guard and hinged removable pan racks
- Two (2) speed auto reversing convection fan for even heat distribution
- Space saving, easy to close "Disappearing Door"
- Door latch with safety vent position and wear-free door switch
- Vented, double glass door with integrated door stop and self draining condensate drip pan
- Easy to change, press-fit door seal
- Oven light with shock resistant safety glass
- Multipoint core temperature probe
- Easy to use electronic controls for all operational functions
- Self diagnostic system with full text message display
- Easy to understand menu icons with bright graphics display
- User friendly selector dial
- Exclusive "Smart Key" for selecting option settings
- Digital controls for temperature, time and core probe settings
- Eight (8) "Press & Go" one step, recipe start buttons
- Cook book library for up to 250 stored recipe programs, each recipe capable of 20 steps
- RS 232 connection for controlling one unit with a PC (personal computer)
- Memory module automatically saves unit settings and recipes
- Manual program override feature for operational settings
- Smooth action hand shower for compartment cleaning

**Electric Steam Generator**

- Built-in automatic rinse system
- Automatic fill and water level control
- Automatic generator drain

**MODEL:**  OEB-6.20

**CAPACITY:** Seven (7) – 18" by 26" full size sheet pans or  
Fourteen (14) – 12" by 20" by 2 1/2" steam table pans

ITEM NUMBER \_\_\_\_\_

JOB NAME / NUMBER \_\_\_\_\_

**Short Form Specifications**

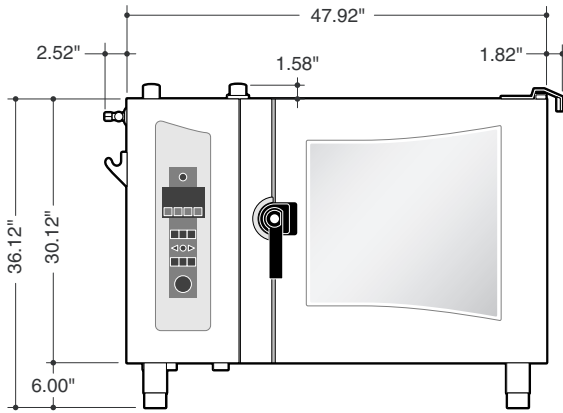
Shall be Cleveland Model: OEB-6.20 Combination Convection Oven / Steamer with simple to operate electronic programmable controls for Hot Air, Convection Steam, and Combination cooking modes, "Cook & Hold" and "Delta T" slow-cooking capabilities, "Advanced Closed System" with "Crisp & Tasty" de-moisturizing feature. Multiple cooking stage programs, stored recipe library, multipoint core temperature probe, "Press & Go", one-step recipe start buttons, "Smart Key" for selecting option settings, Two (2) speed auto reversing convection fan. Electric steam generator with automatic drain. "Disappearing Door". Capacity for seven (7) 18" x 26" full size sheet pans, or fourteen (14) 12" x 20" x 2 1/2" pans.

**Options and Accessories**

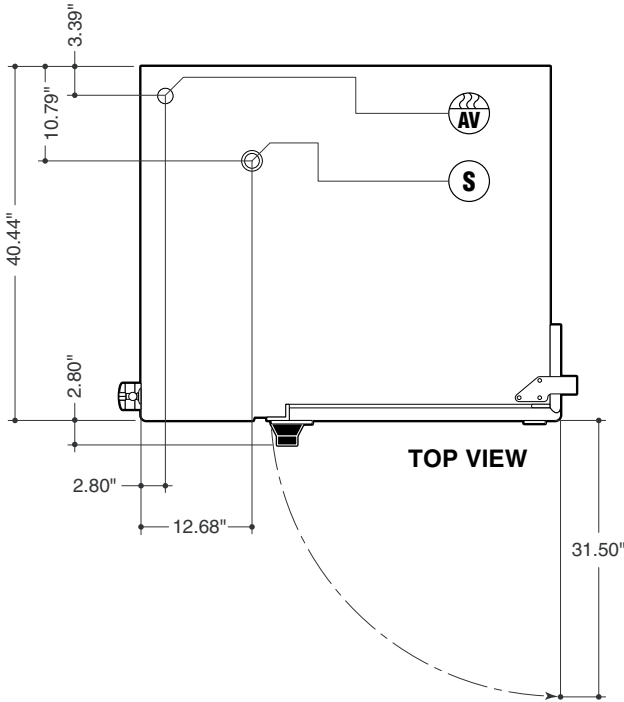
- ConvoClean automatic compartment washing system
- PC-HACCP software for establishing "HACCP controls" and automatic documentation of the cooking process
- Equipment stand(s)
- Equipment stand(s) with Casters
- Stacking kit for stacking two (2) OEB-6.20 models
- Stacking kit for mounting one (1) OEB-6.20 model on top of one (1) OEB-10.20
- Universal pan-rack system to hold full size sheet pans without the use of wire shelves
- Lockable cover over operating controls for prison installations
- USB or RS 485 connection for networking and controlling up to 32 units with a personal computer
- Plate rack for banquet operations
- Plate rack cart
- Thermal cover for plate or pan rack
- ConvoClean compartment cleaning solution
- ConvoCare concentrate for compartment rinse cycle
- "Dissolve" generator descaling solution
- Chicken Grill Rack
- 12" x 20" Wire Baskets for frying products
- Additional 26" x 20" Wire Shelves
- Special Baking Rack System

SECT. IIC PAGE 7  
0406

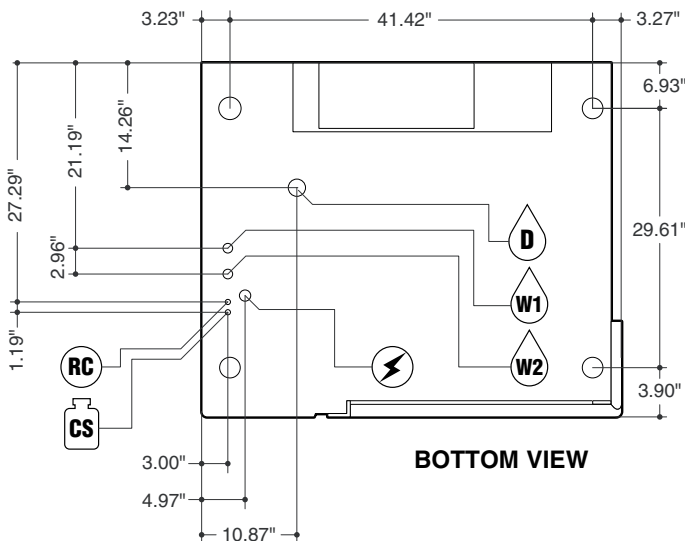




**FRONT VIEW**



**TOP VIEW**



**BOTTOM VIEW**

**The "Advanced Closed System" offers the following advantages:**

- Saves energy
- Automatic moisture level adjustment
- Low heat and steam emission to the kitchen
- Automatically regulated steam injection
- Enables immediate change into the steam mode
- "Crisp & Tasty" demisterizing function

**Model:** OEB-6.20

**Pan Capacity** [Unit has 7 slide rails at 2.64" (67mm) apart]:

|  |   |
|--|---|
| 7 (20" x 26") full size wire racks                         | 7 (18" x 26") full size sheet pans - <b>on wire racks</b>       |
| 14 (13" x 18") half size sheet pans - <b>on wire racks</b> | 14 (12" x 20" x 2 1/2") steam table pans                        |
| 14 (12" x 20" x 1") steam table pans                       | 14 (12" x 20") frying Baskets - ( <b>no wire racks needed</b> ) |

**For Banquet Operations:** Optional Plate Rack holds 42 plates

**Unit Dimensions:** Width - 52.26", Depth - 43.24", Height - 36.82"

**Shipping Dimensions:** Width - 58", Depth - 49", Height - 45"  
(including packaging)

**Shipping Weight:** 485 Lbs

**Required Clearances:** Rear - 2", Left Side - 4", Right Side - 2 1/2"

- Allow for sufficient distance if a "high heat source" (i.e. Broiler) is located next to the unit.
- Allow for sufficient clearance on left side for service access (contact the factory service department for recommendations).
- Installation must comply with all local fire and health codes.

**Agency Approvals:** UL, UL - Sanitation (NSF Standards)



|                                 |          |          |          |          |
|---------------------------------|----------|----------|----------|----------|
| <b>Electrical Requirements:</b> | 208/3/60 | 240/3/60 | 440/3/60 | 480/3/60 |
| Total Connected Load:           | 16.4 KW  | 21.6 KW  | 18.5 KW  | 22 KW    |
| Hot Air:                        | 14.7 KW  | 19.6 KW  | 16.5 KW  | 19.6 KW  |
| Steam Generator:                | 12.8 KW  | 17.1 KW  | 14.3 KW  | 17.1 KW  |
| Amps per Phase:                 | 45.5     | 51.8     | 24.2     | 26.4     |

Do not connect to a G.F.I. outlet

**Water Connections:** Cold Water (drinking water quality)  
**Flow Pressure:** 30 - 60 PSI  
**Water Inlets:** 3/4" GHT-F (Female Garden Hose Connection)



Treated Water for Steam Generator



Untreated Water for Condenser and Hand Shower



**Drain Connection:** 2" Tube

**Venting:** Exhaust Hood required



Air Vent



\*Connection for Cleaning Solution



\*Connection for Rinse Cycle



Low Pressure Safety Valve

\*Available as an option

**NOTES:**

Cleveland Range reserves right of design improvement or modification, as warranted.  
 Many regional, state and local codes exist and it is the responsibility of the owner and installer to comply with the codes.  
 Cleveland Range equipment is built to comply with applicable standards for manufacturers.



## COMBI OVEN-STEAMER



Featuring the  
**"Advanced Closed System +3"**

**ELECTRIC HEATED – Boilerless****Cooking Modes:**

- Hot Air
- Steam
- Combi
- Retherm
- "Cook & Hold"
- "Delta T" slow cooking
- "Crisp & Tasty"

**Cleveland Standard Features:**

- "Advanced closed system" with "Crisp & Tasty" de-moisturizing feature
- Efficient heating system saves energy and provides fast heat up times
- Fully insulated cooking compartment for maximum energy savings
- Polished cooking compartment with coved corners for easy cleaning
- Three (3) 26" x 20" wire shelves
- Hinged fan guard and hinged removable pan racks
- Two (2) speed auto reversing convection fan for even heat distribution
- Space saving, easy to close "Disappearing Door"
- Door latch with safety vent position and wear-free door switch
- Vented, double glass door with integrated door stop and self draining condensate drip pan
- Easy to change, press-fit door seal
- Oven light with shock resistant safety glass
- Multipoint core temperature probe
- Easy to use electronic controls for all operational functions
- Self diagnostic system with full text message display
- Easy to understand menu icons with bright graphics display
- User friendly selector dial
- Exclusive "Smart Key" for selecting option settings
- Digital controls for temperature, time and core probe settings
- Eight (8) "Press & Go" one step, recipe start buttons
- Cook book library for up to 250 stored recipe programs, each recipe capable of 20 steps
- RS 232 connection for controlling one unit with a PC (personal computer)
- Memory module automatically saves unit settings and recipes
- Manual program override feature for operational settings
- Smooth action hand shower for compartment cleaning
- Injection system for steam

**Options and Accessories**

- ConvoClean automatic compartment washing system
- PC-HACCP software for establishing "HACCP controls" and automatic documentation of the cooking process
- Equipment stand(s)
- Equipment stand(s) with Casters

**MODEL:**  OES-6.20

**CAPACITY:** Seven (7) – 18" by 26" full size sheet pans or  
Fourteen (14) – 12" by 20" by 2 1/2" steam table pans

ITEM NUMBER \_\_\_\_\_

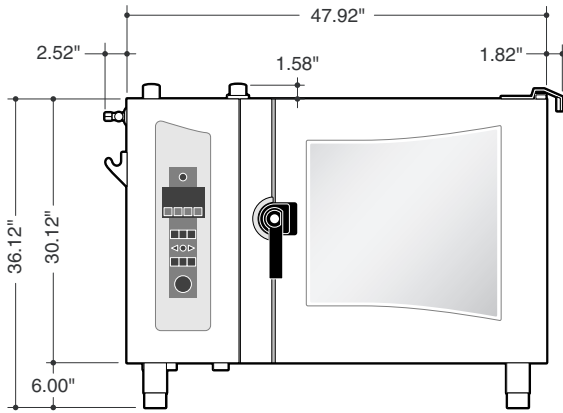
JOB NAME / NUMBER \_\_\_\_\_

**Short Form Specifications**

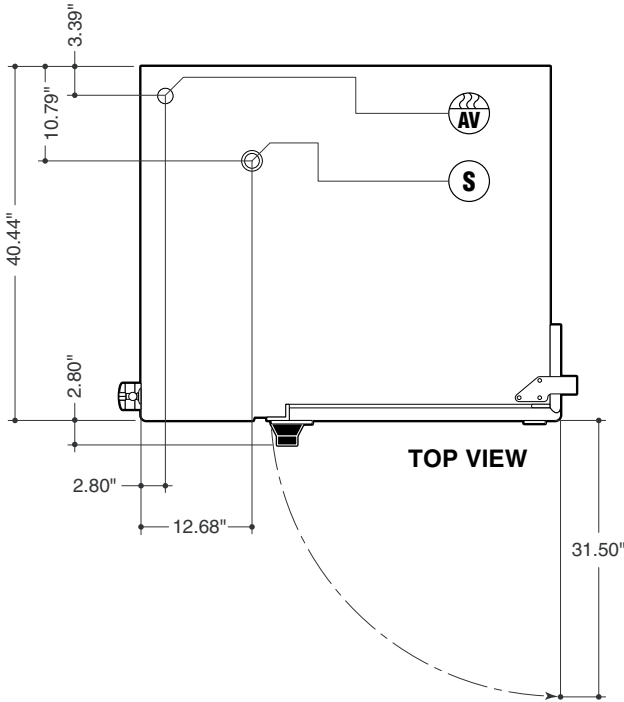
Shall be Cleveland Model: OES-6.20 Combination Convection Oven / Steamer with simple to operate electronic programmable controls for Hot Air, Convection Steam, and Combination cooking modes, "Cook & Hold" and "Delta T" slow-cooking capabilities, "Advanced Closed System" with "Crisp & Tasty" de-moisturizing feature. Multiple cooking stage programs, stored recipe library, multipoint core temperature probe, "Press & Go", one-step recipe start buttons, "Smart Key" for selecting option settings, two (2) speed auto reversing convection fan, boilerless. "Disappearing Door". Capacity for seven (7) 18" x 26" full size sheet pans, or fourteen (14) 12" x 20" x 2 1/2" pans.

- Universal pan-rack system to hold full size sheet pans without the use of wire shelves
- Stacking kit for stacking two (2) OES-6.20 models
- Stacking kit for mounting one (1) OES-6.20 model on top of one (1) OES-10.20
- Lockable cover over operating controls for prison installations
- USB or RS 485 connection for networking and controlling up to 32 units with a personal computer
- Plate rack for banquet operations
- Plate rack cart
- Thermal cover for plate or pan rack
- ConvoClean compartment cleaning solution
- ConvoCare concentrate for compartment rinse cycle
- "Dissolve" generator descaling solution
- Chicken Grill Rack
- 12" x 20" Wire Baskets for frying products
- Additional 26" x 20" Wire Shelves
- Special Baking Rack System

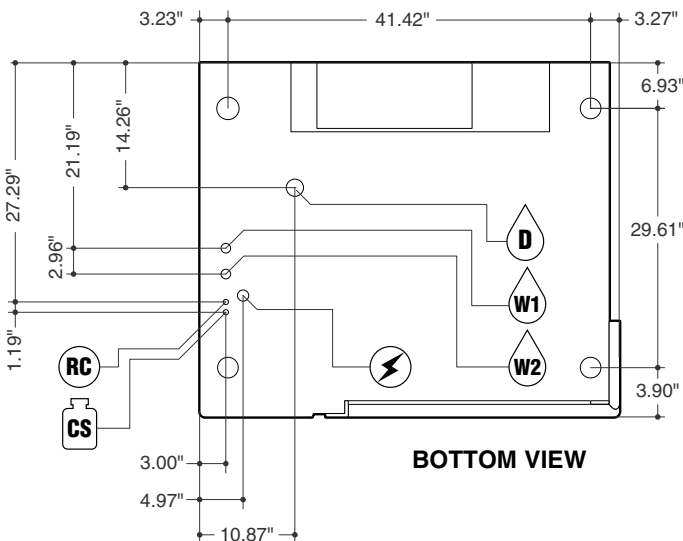




**FRONT VIEW**



**TOP VIEW**



**BOTTOM VIEW**

**NOTES:**

Cleveland Range reserves right of design improvement or modification, as warranted.  
 Many regional, state and local codes exist and it is the responsibility of the owner and installer to comply with the codes.  
 Cleveland Range equipment is built to comply with applicable standards for manufacturers.

**The "Advanced Closed System" offers the following advantages:**

- Saves energy
- Automatic moisture level adjustment
- Low heat and steam emission to the kitchen
- Automatically regulated steam injection
- Enables immediate change into the steam mode
- "Crisp & Tasty" demisterizing function

**Model:** OES-6.20

**Pan Capacity** [Unit has 7 slide rails at 2.64" (67mm) apart]:

|  |   |
|--|---|
| 7 (20" x 26") full size wire racks                         | 7 (18" x 26") full size sheet pans - <b>on wire racks</b>       |
| 14 (13" x 18") half size sheet pans - <b>on wire racks</b> | 14 (12" x 20" x 2 1/2") steam table pans                        |
| 14 (12" x 20" x 1") steam table pans                       | 14 (12" x 20") frying Baskets - ( <b>no wire racks needed</b> ) |

**For Banquet Operations:** Optional Plate Rack holds 42 plates

**Unit Dimensions:** Width - 52.26", Depth - 43.24", Height - 36.82"

**Shipping Dimensions:** Width - 58", Depth - 49", Height - 45"  
 (including packaging)

**Shipping Weight:** 485 Lbs

**Required Clearances:** Rear - 2", Left Side - 4", Right Side - 2 1/2"

- Allow for sufficient distance if a "high heat source" (i.e. Broiler) is located next to the unit.
- Allow for sufficient clearance on left side for service access (contact the factory service department for recommendations).
- Installation must comply with all local fire and health codes.

**Agency Approvals:** UL, UL - Sanitation (NSF Standards)



|                                 |          |          |          |          |
|---------------------------------|----------|----------|----------|----------|
| <b>Electrical Requirements:</b> | 208/3/60 | 240/3/60 | 440/3/60 | 480/3/60 |
| Total Connected Load:           | 16.4 KW  | 21.6 KW  | 18.5 KW  | 22 KW    |
| Hot Air:                        | 14.7 KW  | 19.6 KW  | 16.5 KW  | 19.6 KW  |
| Amps per Phase:                 | 45.5     | 51.8     | 24.2     | 26.4     |

Do not connect to a G.F.I. outlet

**Water Connections:** Cold Water (drinking water quality)  
 Flow Pressure: 30 - 60 PSI  
 Water Inlets: 3/4" GHT-F (Female Garden Hose Connection)



Treated Water for Steam Production



Untreated Water for Condenser and Hand Shower



**Drain Connection:** 2" Tube

**Venting:** Exhaust Hood required



Air Vent



**\*Connection for Cleaning Solution**



**\*Connection for Rinse Cycle**



**Low Pressure Safety Valve**

\*Available as an option

## CONTROL PANEL BASIC OPERATION

### A. QUICK START GUIDE

**ALWAYS PRE-HEAT THE OVEN CHAMBER!**

1. Switch on with key (1).
2. Select cooking mode with keys (2-5).
3. Press key (6) to start.

**OR**

1. Press key (18) and rotate Selector Dial (23) to set oven temperature.
2. Press key (19) and rotate Selector Dial (23) to set cooking time.

**OR**

1. Press key (20) and rotate Selector Dial (23) to set core temperature.

**ALL**

1. Press key (6) to start the Combi.
2. To change the settings while cooking: press keys (18) OR (19) OR (20) and adjust the settings with the Selector Dial (23).
3. When the buzzer sounds press key (6) or open the door.

NOTES: See “CONTROL PANEL DETAIL VIEW” in Chapter 4, Section B for detailed descriptions of control panel functions.



**Figure 4-1a  
Control Panel**

## B. CONTROL PANEL DETAIL VIEW

**Note:** Item numbers correspond to numbers on the control panels in Figure 4-1b

### 1. ON/OFF

When the Combi is turned ON:

- Self-diagnosis is performed.
- Oven light turns on.
- Steam generator fills and heats (OEB and OGB models).

### Cooking Modes

#### 2. Steam

- Oven temperature is continuously variable between 86°F and 248°F.

#### 3. Combi Hot Air and Steam

- Oven temperature is continuously variable between 212°F and 482°F.

#### 4. Hot Air

- Oven temperature is continuously variable between 86°F and 482°F.

#### 5. Retherm

- Oven temperature is continuously variable between 248°F and 320°F.

#### 6. Start/Stop

- Start cooking modes and recipes.
- Stop the cooking activity.
- Escape or Exit Smart Key functions

### Programming / Help

#### 7. Cookbook

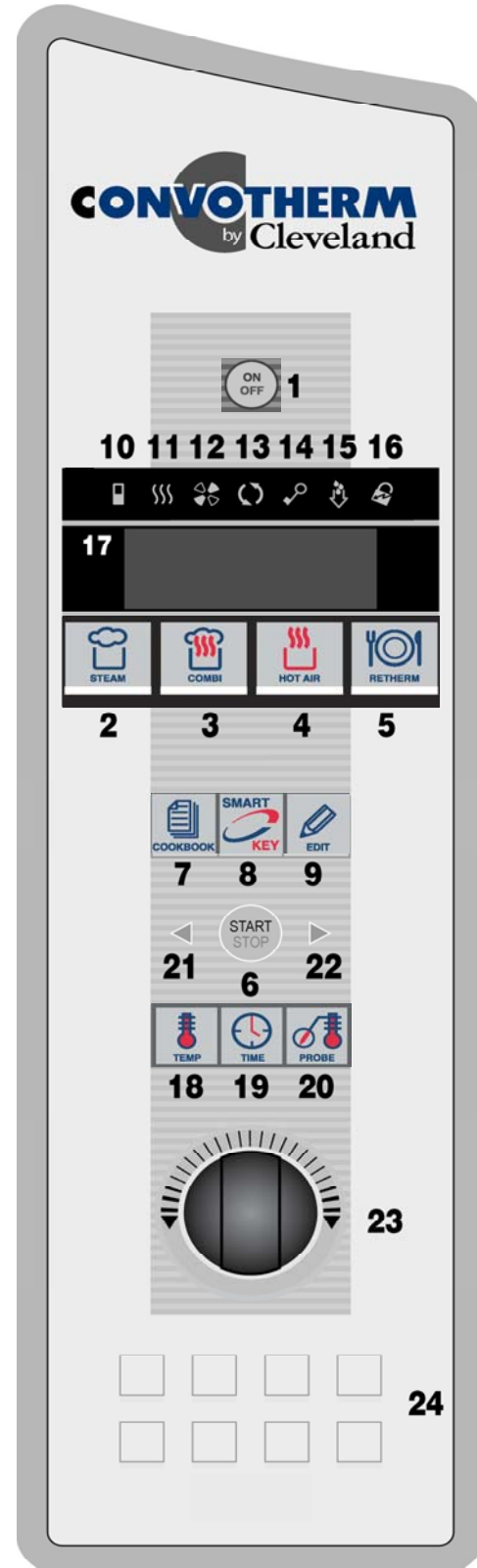
- Call up, exit cookbook.
- View a list of stored recipes in the display.

#### 8. Smart Key

- Set Extra Functions.
- Set-Up the Combi.
- Enter Sub-Menus.

#### 9. Edit

- Create, change, copy, and delete recipes.



**Figure 4-1b**  
**Control Panel**

## **Function Indicators**

- Light up when function or activity is engaged:

### **10. Reduced Power**

### **11. Burner or Electric Heating ON**

### **12. Reduced Fan Speed**

### **13. Cooking Mode Engaged**

### **14. Button Lock**

### **15. Crisp & Tasty Engaged**

### **16. Program Protection**

### **17. Display**

- **Display in normal mode:**
  - Date.
  - Time.
  - Oven Temperature.
  - Cooking Time
  - Core Probe Temperature.
- **Display in programming mode:**
  - Clear text.
  - Memory.
  - Symbols.

## **Settings**

### **18. Oven Temperature**

- Set the nominal oven temperature.
- View the actual or nominal oven temperature.

### **19. Cooking Time**

- Set the cooking time from 1 minute to 9 hours, 59 minutes using the Selector Dial.
- Set Continuous Mode
  1. At 9:59 or 0:01, release the Selector Dial.
  2. Turn the Selector Dial again to the left or right.
- See the actual or nominal cooking time.
- See elapsed cooking time when using Core Temperature mode.

### **20. Core Temperature**

- Set the nominal core temperature.
- See the actual or nominal core temperature.
- See the actual core temperature during cooking time mode.

### **21 & 22. Scroll Left and Scroll Right**

- Page / Scroll one step forward or back in programming mode.

### **23. Selector Dial**

- Set: Oven temperature, cooking time, core temperature, recipe name, recipe number.
- Select Smart Key functions, editing functions and recipes in the cookbook.

### **24. Press & Go Keys**

- Start saved recipes with one key.
- LED below key lights up when corresponding recipe is started.

### **Notes:**

- **Magnetic door switch**

If the oven door is opened during operation, the magnetic door switch automatically interrupts the recipe. The timer stops. After closing the oven door, the Combi automatically continues the recipe. If the oven door is opened when the buzzer sounds at the end of a recipe, it automatically switches off.
- Operate controls with hands only!

## AT THE END OF THE DAY OR SHIFT

### A. Cleaning the Oven Chamber

|   |
|---|
|  <b>CAUTION</b>  |
| <b>Clean the oven chamber at least once per day or more frequently as needed<br/>Failure to clean the Combi properly and regularly can cause equipment damage.<br/>Damage caused by improper cleaning will invalidate the Warranty!</b> |

#### 1. Cleaning – General

- a. Regular cleaning of the Combi after use, inside and out, helps guarantee many years of satisfaction from your Combi.
- b. Clean and maintain the Combi ONLY when the Combi is cold.
- c. Use the hand shower only inside the oven chamber.
- d. Clean the outside the Combi by hand.
- e. Never use the hand shower, hose, pressure washer or similar device on the outside of the Combi.
- f. NEVER spray anything on or into the air intakes or outlets of the Combi.
- g. Do NOT use hoses, pressure washers, high-pressure cleaners, or water jets to clean inside the Combi oven chamber.
- h. Do NOT spray water into a hot oven chamber.
- i. Use only genuine Convotherm by Cleveland and Cleveland Range cleaning and descaling products. Follow the instructions and heed and obey the warnings on the labels. Other products can cause injury, present health hazards, and damage the Combi.
- j. Never use irritant, acidic, highly alkaline cleaners, high-alcohol, chlorine, chlorinated, or abrasive cleaning agents, scrapers, or abrasive materials to clean the Combi.
- k. Poor water quality can cause discoloration inside the oven chamber. Remove these discolorations with CONVOCare. Spray CONVOCare on the affected surfaces in a COLD oven chamber, wait 10 minutes, wipe off with a soft cloth or sponge, and begin cleaning as usual.
- l. Damage caused as a result of improper cleaning voids the warranty.

#### 2. Semi-Automatic and Automatic Cleaning - General

- a. If the oven chamber is very heavily soiled, additional manual cleaning may be necessary.
- b. Depending on the level of soiling of the oven chamber, the engaging frames and grills may be left in the oven during the automatic cleaning process.
- c. Do NOT interrupt the semi-automatic or automatic cleaning process.

 **WARNING**

When working with cleaning agents, nozzle rinsing fluid and spray bottles: Wear suitable clothing, protective gloves and protective goggles to help protect from splashes and spills. Failure to do so can result in chemical burns on skin and in eyes.

 **WARNING**

**Read, understand, and heed and obey all instructions and safety information found on cleaning agent labels, Material Safety Data Sheets, and related documents and sources. Failure to do so can result in death, injury, and equipment damage.**

**3. Manual Cleaning of the Oven Chamber**

- a. Clean the Combi daily to prevent discoloration and corrosion of the stainless steel.
  - 1) Avoid scratching the oven chamber or engaging frame.**
  - 2) Scratches can collect soil and / or allow corrosion to begin.
  - 3) Do NOT use harsh or abrasive cleaning agents, scouring pads, or scrapers.
- b. Clean the fan guard and the fan area behind the fan guard at the same time.
  - 1) Release the quick-action locks on the oven racks and fan guard.
  - 2) Pivot the oven racks and fan guard out into the oven chamber.
  - 3) After cleaning, push the oven racks and fan guard closed and fix them in place with the quick-action locks.

 **CAUTION**

**Do NOT use U-Shaped racks that are bent or otherwise damaged in any way. Pans and accessories placed in damaged racks can tip and spill, causing burns, injuries and/or equipment damage**

- 4) Make sure that the U-Shaped racks do not become bent; otherwise grills, racks, containers and accessories will no longer be safely supported. If U-Shaped racks become bent then remove the Combi from service and contact your qualified Cleveland Range authorized service representative at once.
- c. Clean the interior of the of the double glass doors daily.
  - 1) Release the quick-action locks on the door glass.
  - 2) Clean the glass with a non-abrasive cleaner and a soft cloth.
  - 3) Do not use harsh or abrasive cleaning agents, scouring pads, or scrapers because they will damage the glass.
- d. Regular cleaning of the hygienic plug-in gasket (door gasket) increases service life.
  - 1) Wait for the gasket to cool.
  - 2) Clean the gasket with mild, scent free dish detergent and a soft cloth.
  - 3) Do not use harsh or abrasive agents, scouring pads or scrapers because they will damage the gasket.
  - 4) Air dry the gasket.

- e. Clean the Bypass Measuring Aperture. (Opening in the oven chamber on the left-hand side, slightly below the door latch. See diagram.)

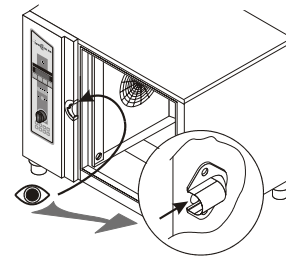
- 1) Spray with CONVOClean.
- 2) Rinse clean with the hand shower.

- f. Remove and clean the drain cover.

- 1) Clean food residue and drippings from the tray and drain in the oven chamber.
- 2) Spray on original CONVOClean oven chamber cleaner and allow it to take effect.
- 3) Rinse thoroughly with the hand shower.

- g. Clean the drain and make sure that it is not blocked.

- h. Clean the demoinsturizing tray (trough shaped area under the drain cover).



Bypass



Drain Cover and Drain

- i. Clean the door drip tray, appliance drip trays and accessory drip trays.

**NOTES:**

- If a white deposit forms inside the oven chamber, the water treatment system is not correctly set, or the addition of a water treatment system is required. To remove this deposit, use vinegar and a soft cloth.
- Ask your qualified Cleveland Range authorized service representative about adding or setting a water treatment system.

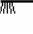


## B. Semi-Automatic Cleaning of the Oven Chamber

**NOTE: Do NOT press the Start/Stop key while using the Semi-automatic Cleaning process. This stops the cleaning process.**

### WARNING

The Semi-Automatic Cleaning process is designed to be started when the oven chamber temperature is at or below 158°F. Death, injury, and equipment damage can result from starting the Semi-Automatic Cleaning process when the oven chamber is above 158°F.

1. Before starting the Semi-Automatic Cleaning process, make sure the oven chamber is below 158°F by stopping all processes and pressing the Temperature key twice to view the actual temperature.
  - a. If the oven chamber is above 158°F then open the Combi door and wait 15 minutes.
  - b. Check the oven temperature again.
    - 1) If the oven temperature is at or below 158°F then go to Step 2.
    - 2) If the oven temperature is still above 158°F then wait 15 more minutes and check the oven chamber temperature. Repeat this step as needed until the oven chamber temperature is at or below 158°F and then go to Step 2.
2. See separate instruction sheet P/N 260AYM, "One-Hand Sprayer with Telescoping Wand," for safety information, detailed instructions for using the sprayer, P/N 111598, and other information.
3. Always wear appropriate protective clothing and equipment when using this Sprayer, including protective gloves and goggles.
4. Close and latch the Combi door.
5. If the Combi is OFF, turn it ON.
6. Press the Smart Key. Various options appear in the display.
7. Use the Selector Dial to select "Cleaning" .
8. Confirm by pressing the Smart Key.
9. Confirm "Yes" with the Smart Key. The semi-automatic cleaning process starts.
10. Semi-automatic cleaning uses cooking modes to assist the cleaning process. The display shows the nominal values for the cooking modes.
  - a. The first step is Hot Air mode at 158°F for 10 minutes, followed by a Signal Tone.
11. After the first Signal Tone, open the oven door, and follow instruction sheet in P/N 260AYM to spray the oven chamber, drain, grills, plates etc. with original Convotherm by Cleveland CONVOClean.
12. Close and latch the Combi door and allow the CONVOClean to take effect. The Semi-Automatic Cleaning mode continues to run.
  - a. The second step is Steam mode at 86°F for 10 minutes, followed by a Signal Tone.
13. After the second Signal Tone, clean behind the fan guard and the fan area.
  - a. Release the quick-action locks on the oven racks and fan guard.
  - b. Swing the oven racks and fan guard into the oven chamber.
  - c. After cleaning, swing the oven racks and fan guard closed and fix it in place with the quick-action locks.
14. Close and latch the Combi door. The Semi-Automatic Cleaning mode continues automatically.



- a. The third step is Steam mode at 86°F for 1 minute. No action is needed.
  - b. The fourth step is Steam at 212°F for 10 minutes, followed by a Signal Tone.
15. Turn OFF the Combi when the Signal Tone sounds.
16. Use the hand shower to rinse thoroughly the oven chamber, accessories, and behind the fan guard.
17. In the case of severe staining or soiling, repeat the cleaning process.
18. After use or after cleaning, leave the Combi door open.



### C. CONVOClean Automatic Cleaning System (optional):

#### NOTES:


- Do NOT interrupt the automatic cleaning process. Interrupting and restarting the Automatic Cleaning System with the ON/OFF key may start a 6 minute forced rinsing of the oven chamber to remove any CONVOClean and CONVOCare residue when the ON/OFF key is turned back ON. The Signal Tone sounds at the end of the forced rinsing cycle and the Combi is ON.
- Do not open the Combi door during the automatic cleaning process, unless the instruction "Open the door" and "close the door," appears in the display.
- Pre-clean manually to save water and CONVOClean by selecting a lower cleaning setting.
- If the security questions are not answered within 5 seconds, the Combi resets itself to the query level and will not start.
- If the message "No cleaner pressure" appears, check that there is enough CONVOClean and/or CONVOCare in the correct containers. Refill them if necessary (red hose for CONVOClean, and blue or white hose for CONVOCare).

#### CAUTION

**Always make sure the cleaning agent containers are correctly connected to the Combi**

**CONVOClean => RED**

**CONVOCare => BLUE or WHITE**

- A. See P/N 260AZA, "Instructions for CONVOClean System Start-up Kit," for hose attachment, solution mixing, and other information.
- B. The CONVOClean Automatic Cleaning Process
1. The oven chamber **must be cold** before starting this process. If the oven chamber is still hot, the error message, "oven temp too hi / please wait" appears in the display. If this error message appears, open the Combi door, wait 15 minutes and then try to start the automatic cleaning process. Repeat as needed.
  2. Before starting, remove large pieces food or cooking residue from the oven chamber to help prevent the drain from becoming blocked.
  3. Check the level of Convotherm by Cleveland CONVOClean and CONVOCare.
    - a. The containers **must** be full.
    - b. The suction pipes **must** be located in the fluid.
    - c. The hoses must be properly attached to the Combi.
  4. Press the Smart Key. Various options appear in the display.
  5. Use the Selector Dial to select "CONVOClean system" .
  6. Confirm by pressing the Smart Key.
  7. PRESS the Temperature key and select the cleaning level (1-4) with the Selector Dial. Approximate run times are listed to help plan use of the CONVOClean system. Times may vary by +/- 15 minutes.

|   |                  |                        |
|---|------------------|------------------------|
| 1 | "Light Soiling"  | 55 minutes.            |
| 2 | "Medium Soiling" | 1 hour and 30 minutes. |

|   |                             |                         |
|---|-----------------------------|-------------------------|
| 3 | “Strong Soiling”            | 2 hours.                |
| 4 | ‘Strong Soiling – Shining+” | 2 hours and 45 minutes. |

8. Press the Smart Key.
9. “Food inside oven?” appears in the display.
10. If the oven is empty, then answer “No.”
11. Confirm by pressing the Smart Key.
12. “Start auto-cleaning?” appears in the display.
13. Answer “Yes.”
14. Confirm by pressing the Smart Key.
15. The CONVOClean system starts.
16. The instruction “open the door” appears in the display to check the function of the magnetic door switch.
17. Open the Combi door.
18. The instruction “close the door,” appears in the display to check the function of the magnetic door switch.
19. Close the door.
20. The self test “water supply open?” appears in the display. If the water supply is on (open), then the self test question disappears from the display.
  - a. If “water supply open?” does not disappear from the display, or “not enough water” appears in the display, then check the water supply.
  - b. The CONVOClean system resumes running after the water supply is restored.
21. “Cleaning in progress” appears in the display and the CONVOClean process runs.
22. The Signal Tone sounds at the end of the CONVOClean cycle and “end of cleaning” appears in the display.
23. Press the Start/Stop key to stop the Signal Tone and end the CONVOClean process.
24. The Combi is ON and ready to use.
25. After use or after cleaning, leave the Combi door open.

# DESCALE STEAM GENERATOR

## A. GENERAL INFORMATION

1. Steam generators should be descaled at least once a month, depending on scale buildup. If you have serious steam generator scale buildup, a water treatment system should be installed for the steamer. If this is not possible, the frequency of descaling should be increased.
2. Cleveland Range, recommends the use of ***DISSOLVE***<sup>®</sup> **Descaler Solution, Cleveland Range Part Number 106174.** No other system of steamer descaling should be used.
3. **NOTE:** Part No. 106174 is the Part No. for a case (6 1-gallon containers) of *DISSOLVE*<sup>®</sup> descaler.
4. THESE INSTRUCTIONS ARE FOR USE WITH *DISSOLVE*<sup>®</sup> DESCALER SOLUTION Cleveland Range Part Number 106174 ONLY.
5. **Health Hazard Data, Effects of Overexposure** – This product may cause a burning sensation to eyes or skin.
6. **Emergency and First Aid Procedures** - In case of eye contact, immediately flush eyes with plenty of water. If irritation persists, seek medical attention. In case of skin contact: wash with soap and water. If inhaled, remove to fresh air. If burning persists, call a physician. If swallowed, drink 1 or 2 glasses of water and call a physician.
7. **Spill or Leak Procedures** – Rinse with plenty of water to dilute. Sodium carbonate or calcium carbonate may be used to soak up liquid. Spent material is considered non-hazardous and may be disposed of in a sewer system with water flush.

## WARNING

The liquid solution in Cleveland Range Descaler Solution Part No. 106174, “*DISSOLVE*<sup>®</sup> Descaler Solution,” can be harmful if not handled properly.

Follow these basic safety rules for handling and using this product to help prevent death or injury:

- Wear protective clothing when mixing or applying chemical cleaners.
- Wear rubber gloves, and OSHA approved eye protection when descaling to help avoid injury.
- Avoid breathing fumes. If liquid comes in contact with skin, wash with soap and water.
- If chemical contacts eyes, flush with water. If irritation persists, seek medical attention
- If chemical is swallowed or ingested, drink 1 or 2 glasses of water and call a physician.

Failure to do so can result in death or injury.

## CAUTION

Use ONLY the *DISSOLVE*<sup>®</sup> Descaler method using Part No. 106174 to descale the Combi.

Read, understand, and follow both the descaling procedure instructions and warnings, and the instructions and warnings on the *DISSOLVE*<sup>®</sup> label and MSDS.

Injury, equipment damage, and property damage can result from using other descaling systems and/or failing to follow the descaling procedure and *DISSOLVE*<sup>®</sup> instructions and warnings.

**! DANGER**

**Do NOT heat the Combi during descaling.  
Death, injury, equipment and property damage can result.**

**! WARNING**

**This procedure is slightly different depending on the model being descaled. This entire procedure should be read and fully understand as it applies to the model being descaled, before beginning the actual descaling operation.**

**B. GENERAL SAFETY FOR DESCALING**

1. Always wear suitable protective clothing including appropriate gloves, and eye protection.
2. Read, understand, heed and obey and obey and obey, and follow all directions on the descaler label, MSDS, and related documents
3. Never operate the Combi when descaler has been applied or while descaling.
4. Descale only when the Combi is cold.
5. Immediately wipe up any leaked or spilled descaling fluid.

**C. COMBI ATMOSPHERIC STEAM GENERATOR DESCALING PROCEDURE**

**(For *DISSOLVE*® Descaler Solution Part No. 106174)**


**This procedure takes approximately 3 hours to complete.**

**Do NOT heat the Combi during descaling.**

1. Turn ON the Combi at the Control Power Service Disconnect switch located below the hand shower.
2. Turn ON the Combi with the ON/OFF key.
3. Open the door to the cooking compartment.
4. Run a manual steam generator rinse cycle.  
To Empty and Rinse the Steam Generator:
  - a. Press the Smart Key.
  - b. Select "Manual Steam Generator Rinse" with the Selector Dial.
  - c. Confirm "Yes" with the Smart Key.
  - d. Steam generator rinses and begins to refill to operating level.
4. Remove the cap from the descale port located at the top of the Combi (See Figure 6-1).
5. **While the steam generator is filling with water, use a funnel (NOT INCLUDED) to add 3/4 gallon of *DISSOLVE*® descaler solution into the descaling port of 20.20 Combis, and 1/2 gallon for all other models**



**Figure 6-1  
Descaling Port  
Located at Right Rear of the Combi**

- While adding liquid to the steam generator through the descaler inlets, pour slowly to avoid overflow.
  - Wipe up any spills at once to avoid etching.
6. After the automatic fill cycle has ended, turn OFF the Combi with the ON/OFF key, and at the Control Power Service Disconnect switch located below the hand shower. See Figure 6-2.
  7. Add cold tap water through the descale port until descaling solution enters the cooking compartment through the steam port or until the descaling port overflows (water required varies depending on the Model).
    - Wipe up any spills and overflows.
  8. Let the Descaler work for 1 hour.
  9. Turn the Combi ON at the Control Power Service Disconnect switch located below the hand shower. See Figure 6-2.
  10. Turn ON the Combi with the ON/OFF key.
  11. Run a manual steam generator rinse cycle (Step 4).
  12. After the automatic fill cycle has ended, turn OFF the Combi with ON/OFF key, and at the Control Power Service Disconnect switch located below the hand shower. See Figure 6-2.
  13. Add water through the descale port until water enters the cooking compartment through the steam port or until the descaling port overflows (water required varies depending on the Model) to rinse descaler from the area above the normal water fill level.
  14. Replace the descale port cap.
  15. Turn the Combi ON at the Control Power Service Disconnect switch located below the hand shower. See Figure 6-2.
  16. Turn ON the Combi with the ON/OFF key.
  17. After the Automatic Fill ends, run a manual steam generator rinse cycle (See Step 4).
  18. Run Combi mode for 30 minutes at 212° F with Crisp & Tasty function.
  19. Close the cooking compartment door.
    - a. Press Combi key.
    - b. Press Temperature key.
    - c. Set temperature with Selector Dial to 212° F.
    - d. Press Time key.
    - e. Set time with the Selector Dial for 30 minutes.
    - f. Press Smart Key Various options appear in the display.
    - g. Select “Crisp & Tasty” with the Selector Dial.
    - h. Select the Crisp & Tasty level to “high demoisturizing – continuous” with the Selector Dial.
    - i. Confirm “Yes” with Smart Key.
    - j. The Crisp & Tasty icon  appears in the display.
    - k. Press the Start/Stop key to start.
    - l. Signal Tone sounds and steaming stops after 30 minutes.
    - m. Press the Start/Stop key to end the Signal Tone.
  20. Run a manual steam generator rinse cycle. (See Step 4) This is the final rinse. The Combi is now ready for normal operation.

# 1010 ELEC GENERATOR W CLEANING

Washer Arm C2611068

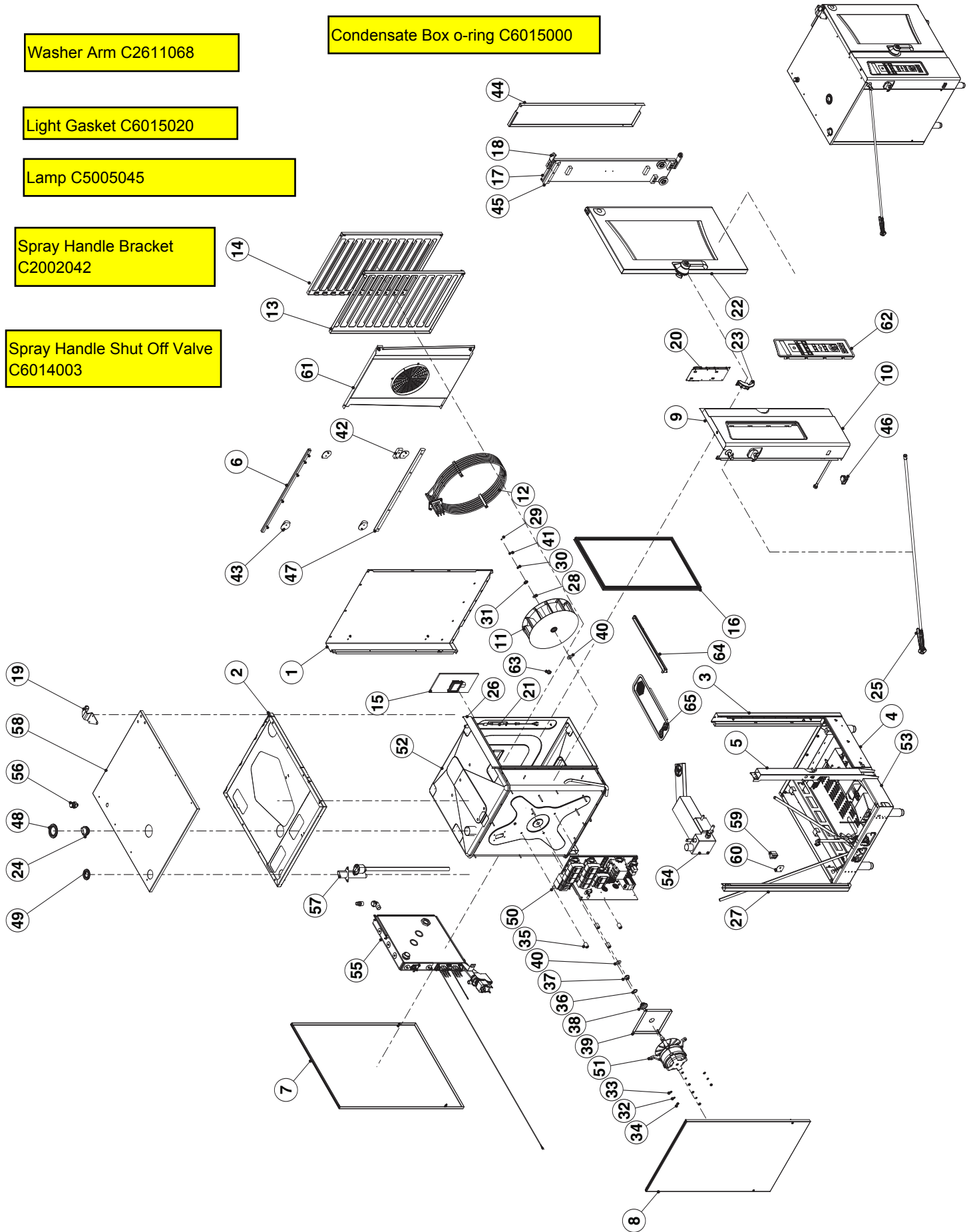
Light Gasket C6015020

Lamp C5005045

Spray Handle Bracket C2002042

Spray Handle Shut Off Valve C6014003

Condensate Box o-ring C6015000



# 1010 ELEC GENERATOR W CLEANING

| ITEM | QTY | PART NO.  | DESCRIPTION   |
|------|-----|-----------|---|
| 1    | 1   | C2115483  | ASSEMBLY, PANEL, RIGHT SIDE, 10.10  |
| 2    | 1   | C2114824  | ASSEMBLY/WELDMENT, INTERMEDIATE TOP, 6.10/10.10                                       |
| 3    | 1   | C2115490  | ASSEMBLY, CORNER, FRONT, RIGHT, 10.10/10.20   |
| 4    | 1   | C2114452  | WELDMENT, FACE PLATE, LOWER, 6.10/10.10   |
| 5    | 1   | C2114719  | WELDMENT, REINFORCEMENT, DOOR LATCH, 10.10/10.20                                      |
| 6    | 1   | C2114688  | ASSEMBLY, SLIDE BAR, DISAPPEARING DOOR, 6.10/10.10                                    |
| 7    | 1   | C2114743  | ASSEMBLY, PANEL, REAR, ELECTRIC & GAS INJ, 10.10                                      |
| 8    | 1   | C2114783  | ASSEMBLY, PANEL, LEFT SIDE, 10.10   |
| 9    | 1   | C2115375  | WELDMENT, CHANNEL, FRONT, 6.10/10.10  |
| 10   | 1   | C2115443  | FRONT PIECE, PRE-MOUNTED, 10.10,  |
| 11   | 1   | C6010001  | WHEEL, BLOWER, 350mm OD X 110mm WIDE, TYPE 304 SST,<br>6.20 & 10.10 COMBI             |
| 12   | 1   | C2614251  | ASSEMBLY, TUBULAR HEATING ELEMENT, 18.9KW   |
| 13   | 1   | C22141901 | PAN RACK, LEFT, ELECTROPOLISHED, 10.10  |
| 14   | 1   | C2214191  | WELDMENT, PAN RACK, RIGHT, 10.10  |
| 15   | 1   | C2614841  | CAVITY LIGHT  |
| 16   | 1   | C7011002  | DOOR SEAL, 10.10  |
| 17   | 1   | C2614802  | ASSEMBLY, SLIDING PLATE VST 10.10/10.20   |
| 18   | 1   | C2013006  | WELDMENT, HINGE CARRIER, UPPER, DOOR  |
| 19   | 1   | C2614740  | ASSEMBLY, GUIDE CLIP, VST, COUNTERTOP MODEL   |
| 20   | 1   | C2614266  | ASSEMBLY, CONTROLLER  |
| 21   | 1   | C2614263  | ASSEMBLY, CORE TEMPERATURE SENSOR   |
| 22   | 1   | C2514352  | ASSEMBLY, DOOR 10.10  |
| 23   | 1   | C2216070  | ASSEMBLED, BLOCK  |
| 24   | 1   | C2608962  | ASSEMBLY, NEGATIVE PRESSURE SAFETY VENT   |
| 25   | 1   | C22160801 | ASSEMBLY, HAND SHOWER, 10.10, 6.10  |
| 26   | 1   | C2114731  | FACEPLATE, UPPER X.10   |
| 27   | 1   | C2114634  | CORNER, WELDED, REAR, LEFT, 10.10/10.20   |
| 28   | 1   | 111544    | WASHER, BELLEVILLE, M10, SMOOTH, TYPE 301 SST,<br>10.21mm ID X 24mm OD X 1.85mm THICK |
| 29   | 1   | 111543    | RING, RETAINING, EXTERNAL, 1/4", STAINLESS STEEL,<br>WALDES #5100-25H                 |
| 30   | 1   | 111542    | WASHER, BELLEVILLE, M8, SERRATED BOTH SIDES, SST,<br>8.4mm ID X 13mm OD X 0.8mm THICK |
| 31   | 1   | 111540    | NUT, HEX, M10 X 1.5 (DIN 934), STAINLESS STEEL  |
| 32   | 4   | C8006060  | SCHNORR LOCK WASHER   |
| 33   | 4   | C8005050  | WASHER, 8.4 A2 DIN 125  |
| 34   | 4   | C8004057  | NUT, HEX, M8 A4   |
| 35   | 4   | C6015213  | SPACER, MOTOR 1.299 (FAN DISTANCE 2.008in)  |
| 36   | 1   | C6015210  | SHIM, WEARING MOTOR SHAFT SEAL  |
| 37   | 1   | C6015206  | BUSHING, LABYRINTH  |
| 38   | 1   | C6015050  | SPRING, MOTOR SHAFT SEAL  |
| 39   | 1   | C2114140  | MOTOR MOUNTING PLATE  |
| 40   | 2   | C6015021  | SEALING RING, MOTOR SHAFT, VITON, COMBI   |
| 41   | 1   | 111541    | NUT, HEX, LEFT-HAND, M8 X 1.25 (DIN 934L), STAINLESS STEEL                            |
| 42   | 1   | C6012009  | GUIDE STRIP, LOWER VST  |
| 43   | 4   | C6012011  | DOORSTOPPER VA VST  |
| 44   | 1   | C2114817  | COVER PANEL VST 10.10/10.20   |
| 45   | 1   | C6012008  | SUPPORT STRIP RST   |
| 46   | 1   | 19993     | SWITCH, ROCKER, DPDT, ON/OFF 15A, 125V  |
| 47   | 1   | C2017001  | SAFETY RAIL VST 6.10/10.10  |
| 48   | 1   | C6005427  | DIAPHRAGM GROMMET ø 83 (DG60) FOR VAC. REG. VALVE                                     |
| 49   | 1   | C6005048  | DIAPHRAGM GROMMET ø 60 mm (DG 48) P2  |
| 50   | 1   | 300479    | INSTR.ASSEMBLY, COMP,PANEL, OEB 6.20/10.10  |
| 51   | 1   | C50180041 | MOTOR W/STUD, 208-240V 60HZ, 200V 50HZ, 3-PHASE, 4/8<br>POLE, 0.6KW, ELECT. COMBI     |
| 52   | 1   | C2215034  | WELDMENT, INNER HOUSING, ELEC, GEN, 10.10, REI  |
| 53   | 1   | C2114525  | BASE, ELEC, GEN, 10.10 W/CLEANING   |
| 54   | 1   | C2414125  | FINAL ASSEMBLY, CONDENSER,  |
| 55   | 1   | C2314202  | ASSEMBLY INSTRUCTION, STEAM GEN, ELEC, 6.20/10.10                                     |
| 56   | 1   | 109641    | PORT ASSY, DESCALER   |
| 57   | 1   | C2114287  | ASSEMBLY, AIR OUTLET,   |
| 58   | 1   | C2114700  | PANEL, TOP, ELECTRIC GEN, 6.10/10.10  |
| 59   | 1   | C5001041  | SAFETY TEMPERATURE LIMITER, 340°C   |
| 60   | 1   | C2114798  | BRACKET, HIGH LIMIT, STEAM GENERATOR  |
| 61   | 1   | C2214143  | ASSEMBLY, INTAKE PANEL, GEN, 10.10  |
| 62   | 1   | C2114296  | ASSY, CONTROL PANEL, STEAM GEN, WITH PICTO  |
| 63   | 1   | C2016009  | COVER, BYPASS   |
| 64   | 1   | C2018000  | DRIP TRAY, 10.10  |
| 65   | 1   | C2216796  | ASSEMBLY, COVER, DEHUMIDIFYING GUTTER   |



# 1010 ELEC INJ W CLEANING

Washer Arm C2611068

Light Gasket C6015020

Lamp C5005045

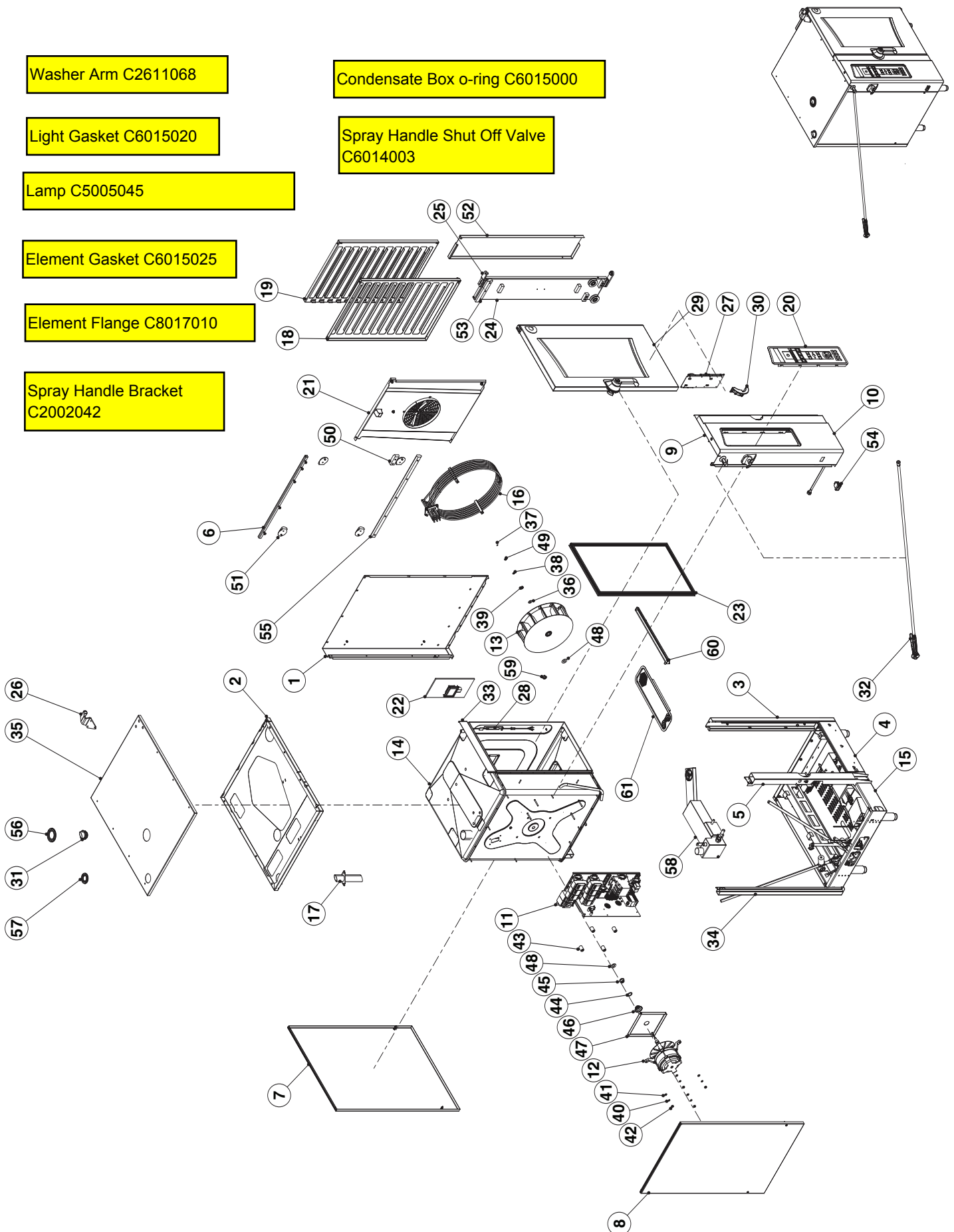
Element Gasket C6015025

Element Flange C8017010

Spray Handle Bracket C2002042

Condensate Box o-ring C6015000

Spray Handle Shut Off Valve C6014003



# 1010 ELEC INJ W CLEANING

| ITEM | QTY | PART NO.            | DESCRIPTION   |
|------|-----|---------------------|---|
| 1    | 1   | C2115483            | ASSEMBLY, PANEL, RIGHT SIDE, 10.10  |
| 2    | 1   | C2114824            | ASSEMBLY/WELDMENT, INTERMEDIATE TOP, 6.10/10.10                                       |
| 3    | 1   | C2115490            | ASSEMBLY, CORNER, FRONT, RIGHT, 10.10/10.20   |
| 4    | 1   | C2114452            | WELDMENT, FACE PLATE, LOWER, 6.10/10.10   |
| 5    | 1   | C2114719            | WELDMENT, REINFORCEMENT, DOOR LATCH, 10.10/10.20                                      |
| 6    | 1   | C2114688            | ASSEMBLY, SLIDE BAR, DISAPPEARING DOOR, 6.10/10.10                                    |
| 7    | 1   | C2114743            | ASSEMBLY, PANEL, REAR, ELECTRIC & GAS INJ, 10.10                                      |
| 8    | 1   | C2114783            | ASSEMBLY, PANEL, LEFT SIDE, 10.10   |
| 9    | 1   | C2115375            | WELDMENT, CHANNEL, FRONT, 6.10/10.10  |
| 10   | 1   | C2115443            | FRONT PIECE, PRE-MOUNTED, 10.10,  |
| 11   | 1   | 300487              | INSTRUCTION, COMPONENT, PANEL, OES 6.20/10.10   |
| 12   | 1   | C50180041           | MOTOR W/STUD, 208-240V 60HZ, 200V 50HZ, 3-PHASE, 4/<br>POLE, 0.6KW, ELECT. COMBI      |
| 13   | 1   | C6010001            | WHEEL, BLOWER, 350mm OD X 110mm WIDE, TYPE 304 SST,<br>6.20 & 10.10 COMBI             |
| 14   | 1   | C2215033            | WELDMENT, INNER HOUSING, ELEC, INJ, 10.10, REI  |
| 15   | 1   | C21145251           | BASE, ELEC, INJ, 10.10 W/CLEANING   |
| 16   | 1   | C2614251            | ASSEMBLY, TUBULAR HEATING ELEMENT, 18.9KW,  |
| 17   | 1   | C2114292            | AIR OUTLET CONECTING PIECE 20.20 GEN. 6.20/10.10/20.20,INJ.                           |
| 18   | 1   | C22141901           | PAN RACK,LEFT, ELECTROPOLISHED, 10.10   |
| 19   | 1   | C2214191            | WELDMENT, PAN RACK, RIGHT, 10.10,   |
| 20   | 1   | C2114296-3          | ASSY, CONTROL PANEL, SPRITZER, WITH PICTO   |
| 21   | 1   | C2214153            | ASSEMBLY, INTAKE PANEL INJ 10.10  |
| 22   | 1   | C2614841            | CAVITY LIGHT  |
| 23   | 1   | C7011002            | DOOR SEAL, 10.10  |
| 24   | 1   | C2614802            | ASSEMBLY, SLIDING PLATE VST 10.10/10.20   |
| 25   | 1   | C2013006            | WELDMENT, HINGE CARRIER, UPPER, DOOR  |
| 26   | 1   | C2614740            | ASSEMBLY, GUIDE CLIP, VST, COUNTERTOP MODEL   |
| 27   | 1   | C2614266            | ASSEMBLY, CONTROLLER  |
| 28   | 1   | C2614263            | ASSEMBLY, CORE TEMPERATURE SENSOR   |
| 29   | 1   | C2514352            | ASSEMBLY, DOOR 10.10  |
| 30   | 1   | <del>C2216070</del> | ASSEMBLED, BLOCK  |
| 31   | 1   | C2608962            | ASSEMBLY, NEGATIVE PRESSURE SAFETY VENT   |
| 32   | 1   | C22160801           | ASSEMBLY, HAND SHOWER, 10.10, 6.10  |
| 33   | 1   | C2114731            | FACEPLATE, UPPER X.10   |
| 34   | 1   | C2114634            | CORNER, WELDED, REAR, LEFT, 10.10/10.20   |
| 35   | 1   | 111638              | PANEL, TOP, ELECTRIC INJ, 6.10/10.10  |
| 36   | 1   | 111544              | WASHER, BELLEVILLE, M10, SMOOTH, TYPE 301 SST,<br>10.21mm ID X 24mm OD X 1.85mm THICK |
| 37   | 1   | 111543              | RING, RETAINING, EXTERNAL, 1/4", STAINLESS STEEL,<br>WALDES #5100-25H                 |
| 38   | 1   | 111542              | WASHER, BELLEVILLE, M8, SERRATED BOTH SIDES, SST,<br>8.4mm ID X 13mm OD X 0.8mm THICK |
| 39   | 1   | 111540              | NUT, HEX, M10 X 1.5 (DIN 934), STAINLESS STEEL  |
| 40   | 4   | C8006060            | SCHNORR LOCK WASHER   |
| 41   | 4   | C8005050            | WASHER, 8.4 A2 DIN 125  |
| 42   | 4   | C8004057            | NUT, HEX, M8 A4   |
| 43   | 4   | C6015213            | SPACER, MOTOR 1.299 (FAN DISTANCE 2.008in)  |
| 44   | 1   | C6015210            | SHIM, WEARING MOTOR SHAFT SEAL  |
| 45   | 1   | C6015206            | BUSHING, LABYRINTH  |
| 46   | 1   | C6015050            | SPRING, MOTOR SHAFT SEAL  |
| 47   | 1   | C2114140            | MOTOR MOUNTING PLATE  |
| 48   | 2   | C6015021            | SEALING RING, MOTOR SHAFT, VITON, COMBI   |
| 49   | 1   | 111541              | NUT, HEX, LEFT-HAND, M8 X 1.25 (DIN 934L), STAINLESS STEEL                            |
| 50   | 1   | C6012009            | GUIDE STRIP, LOWER VST  |
| 51   | 4   | C6012011            | DOORSTOPPER VA VST  |
| 52   | 1   | C2114817            | COVER PANEL VST 10.10/10.20   |
| 53   | 1   | C6012008            | SUPPORT STRIP RST   |
| 54   | 1   | 19993               | SWITCH, ROCKER, DPDT, ON/OFF 15A, 125V  |
| 55   | 1   | C2017001            | SAFETY RAIL VST 6.10/10.10  |
| 56   | 1   | C6005427            | DIAPHRAGM GROMMET ø 83 (DG60) FOR VAC. REG. VALVE                                     |
| 57   | 1   | C6005048            | DIAPHRAGM GROMMET ø 60 mm (DG 48)   |
| 58   | 1   | C2414125            | FINAL ASSEMBLY, CONDENSER   |
| 59   | 1   | C2016009            | COVER, BYPASS   |
| 60   | 1   | C2018000            | DRIP TRAY, 10.10  |
| 61   | 1   | C2216796            | ASSEMBLY, COVER, DEHUMIDIFYING GUTTER   |

C6012001

# 620 ELECTRIC GENERATOR W CLEANING

Washer Arm C2611068

Light Gasket C6015020

Lamp C5005045

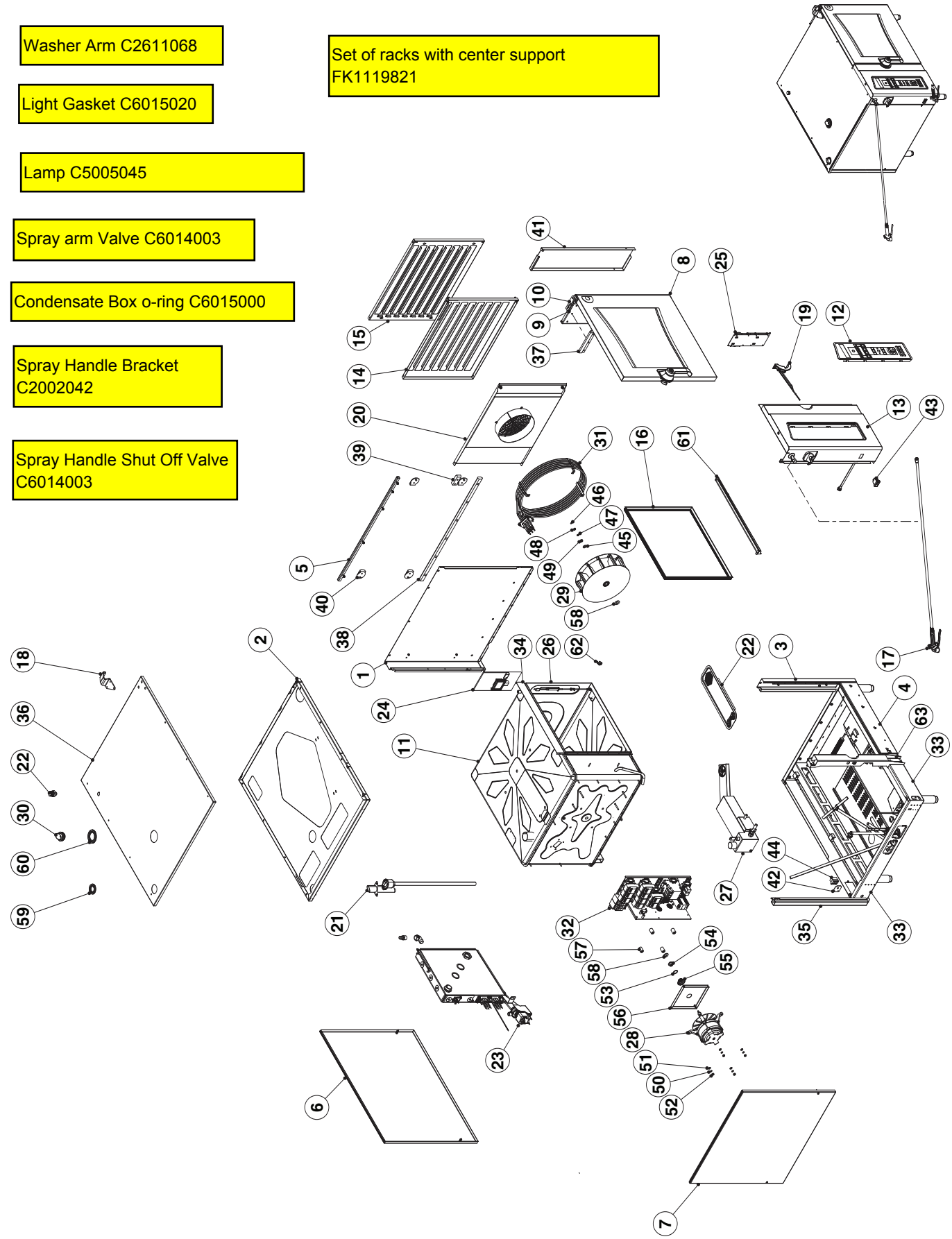
Spray arm Valve C6014003

Condensate Box o-ring C6015000

Spray Handle Bracket C2002042

Spray Handle Shut Off Valve C6014003

Set of racks with center support FK1119821



## 620 ELECTRIC GENERATOR W CLEANING

| ITEM | QTY | PART NO.  | DESCRIPTION   |
|------|-----|-----------|---|
| 1    | 1   | C2115482  | ASSEMBLY, PANEL, RIGHT SIDE, 6.20   |
| 2    | 1   | C2114826  | ASSEMBLY/WELDMENT, INTERMEDIATE TOP, 6.20/10.20                                       |
| 3    | 1   | C2115489  | ASSEMBLY, CORNER, FRONT, RIGHT, 6.20  |
| 4    | 1   | C2114453  | WELDMENT, FACEPLATE, LOWER, 6.20/10.20  |
| 5    | 1   | C2114690  | ASSEMBLY, SLIDE BAR, DISAPPEARING DOOR, X.20  |
| 6    | 1   | C2114742  | ASSEMBLY, PANEL, REAR, ELECTRIC & GAS INJ, 6.20                                       |
| 7    | 1   | C2114782  | ASSEMBLY, PANEL, LEFT SIDE, 6.20  |
| 8    | 1   | C2514351  | DOOR 6.20 COMPLETE  |
| 9    | 1   | C2614801  | SLIDING PLATE VST 6.20 COMPLETE   |
| 10   | 1   | C2013006  | WELDMENT, HINGE CARRIER, UPPER, DOOR  |
| 11   | 1   | C2215018  | ASSEMBLY, INNER SHELL 6.20, ELEC, DE, REI   |
| 12   | 1   | C2114296  | ASSY, CONTROL PANEL, STEAM GEN, WITH PICTO  |
| 13   | 1   | C2115442  | ASSEMBLY, CORNER, FRONT LEFT, 6.20  |
| 14   | 1   | C22141881 | PAN RACKS,LEFT, ELECTROPOLISHED, 6.20   |
| 15   | 1   | C22141891 | PAN RACKS,RIGHT, ELECTROPOLISHED, 6.20  |
| 16   | 1   | C7011004  | DOOR SEAL, 6.20   |
| 17   | 1   | C2216080  | ASSEMBLY, HAND SHOWER   |
| 18   | 1   | C2614740  | ASSEMBLY, GUIDE CLIP, VST, COUNTERTOP MODEL   |
| 19   | 1   | C6012001  | ASSEMBLY, BLOCK   |
| 20   | 1   | C2214142  | INTAKE PANEL STEAM GENERATOR 6.20, COMPLETE   |
| 21   | 1   | C2114287  | ASSEMBLY, AIR OUTLET  |
| 22   | 1   | 109641    | PORT ASSY, DESCALER   |
| 23   | 1   | C2314202  | ASSEMBLY INSTRUCTION, STEAM GEN, ELEC, 6.20/10.10                                     |
| 24   | 1   | C2614841  | CAVITY LIGHT  |
| 25   | 1   | C2614266  | ASSEMBLY, CONTROLLER  |
| 26   | 1   | C2614263  | ASSEMBLY, CORE TEMPERATURE SENSOR   |
| 27   | 1   | C2414125  | FINAL ASSEMBLY, CONDENSER   |
| 28   | 1   | C50180041 | MOTOR W/STUD, 208-240V 60HZ, 200V 50HZ, 3-PHASE, 4/8<br>POLE, 0.6KW, ELECT. COMBI     |
| 29   | 1   | C6010001  | WHEEL, BLOWER, 350mm OD X 110mm WIDE, TYPE 304 SST, 6.20 & 10.10 COMBI                |
| 30   | 1   | C2608962  | ASSEMBLY, NEGATIVE PRESSURE SAFETY VENT   |
| 31   | 1   | C2614251  | ASSEMBLY, TUBULAR HEATING ELEMENT, 18.9KW   |
| 32   | 1   | 300479    | INSTR.ASSEMBLY,COMP,PANEL, OEB 6.20/10.10   |
| 33   | 1   | C2114527  | BASE, ELEC GEN, 6.20, W/ CLEANING   |
| 34   | 1   | C2114732  | FACEPLATE, UPPER X.20   |
| 35   | 1   | C2114633  | CORNER, WELDED, REAR, LEFT, 6.20  |
| 36   | 1   | C2114702  | PANEL, TOP, ELECTRIC GEN, 6.20  |
| 37   | 1   | C6012008  | SUPPORT STRIP RST   |
| 38   | 1   | C2017000  | SAFETY RAIL, VST, X.20  |
| 39   | 1   | C6012009  | GUIDE STRIP, LOWER VST  |
| 40   | 4   | C6012011  | DOORSTOPPER VA VST  |
| 41   | 1   | C2114816  | COVER PANEL, DISAPPEARING DOOR RST 6.20   |
| 42   | 1   | C2114798  | BRACKET, HIGH LIMIT, STEAM GENERATOR  |
| 43   | 1   | 19993     | SWITCH, ROCKER, DPDT, ON/OFF 15A, 125V  |
| 44   | 1   | C5001041  | SAFETY TEMPERATURE LIMITER, 340°C   |
| 45   | 1   | 111544    | WASHER, BELLEVILLE, M10, SMOOTH, TYPE 301 SST,<br>10.21mm ID X 24mm OD X 1.85mm THICK |
| 46   | 1   | 111543    | RING, RETAINING, EXTERNAL, 1/4", STAINLESS STEEL,<br>WALDES #5100-25H                 |
| 47   | 1   | 111542    | WASHER, BELLEVILLE, M8, SERRATED BOTH SIDES, SST,<br>8.4mm ID X 13mm OD X 0.8mm THICK |
| 48   | 1   | 111541    | NUT, HEX, LEFT-HAND, M8 X 1.25 (DIN 934L), STAINLESSSTEEL                             |
| 49   | 1   | 111540    | NUT, HEX, M10 X 1.5 (DIN 934), STAINLESS STEEL  |
| 50   | 4   | C8006060  | SCHNORR LOCK WASHER   |
| 51   | 4   | C8005050  | WASHER, 8.4 A2 DIN 125  |
| 52   | 4   | C8004057  | NUT, HEX, M8 A4   |
| 53   | 1   | C6015210  | SHIM, WEARING MOTOR SHAFT SEAL  |
| 54   | 1   | C6015206  | BUSHING, LABYRINTH  |
| 55   | 1   | C6015050  | SPRING, MOTOR SHAFT SEAL  |
| 56   | 1   | C2114140  | MOTOR MOUNTING PLATE  |
| 57   | 4   | C6015213  | SPACER, MOTOR 1.299 (FAN DISTANCE 2.008in)  |
| 58   | 2   | C6015021  | SEALING RING, MOTOR SHAFT, VITON, COMBI   |
| 59   | 1   | C6005048  | DIAPHRAGM GROMMET ø 60 mm (DG 48)   |
| 60   | 1   | C6005427  | DIAPHRAGM GROMMET ø 83 (DG60) FOR VAC. REG. VALVE                                     |
| 61   | 1   | C2018001  | DRIP TRAY, DOOR   |
| 62   | 1   | C2016009  | COVER, BYPASS   |
| 63   | 1   | C2114718  | ASSEMBLY, REINFORCEMENT, DOOR LATCH, 6.20   |

# 620 ELEC INJ W CLEANING

Washer Arm C2611068

Light Gasket C2611068

Lamp C5005045

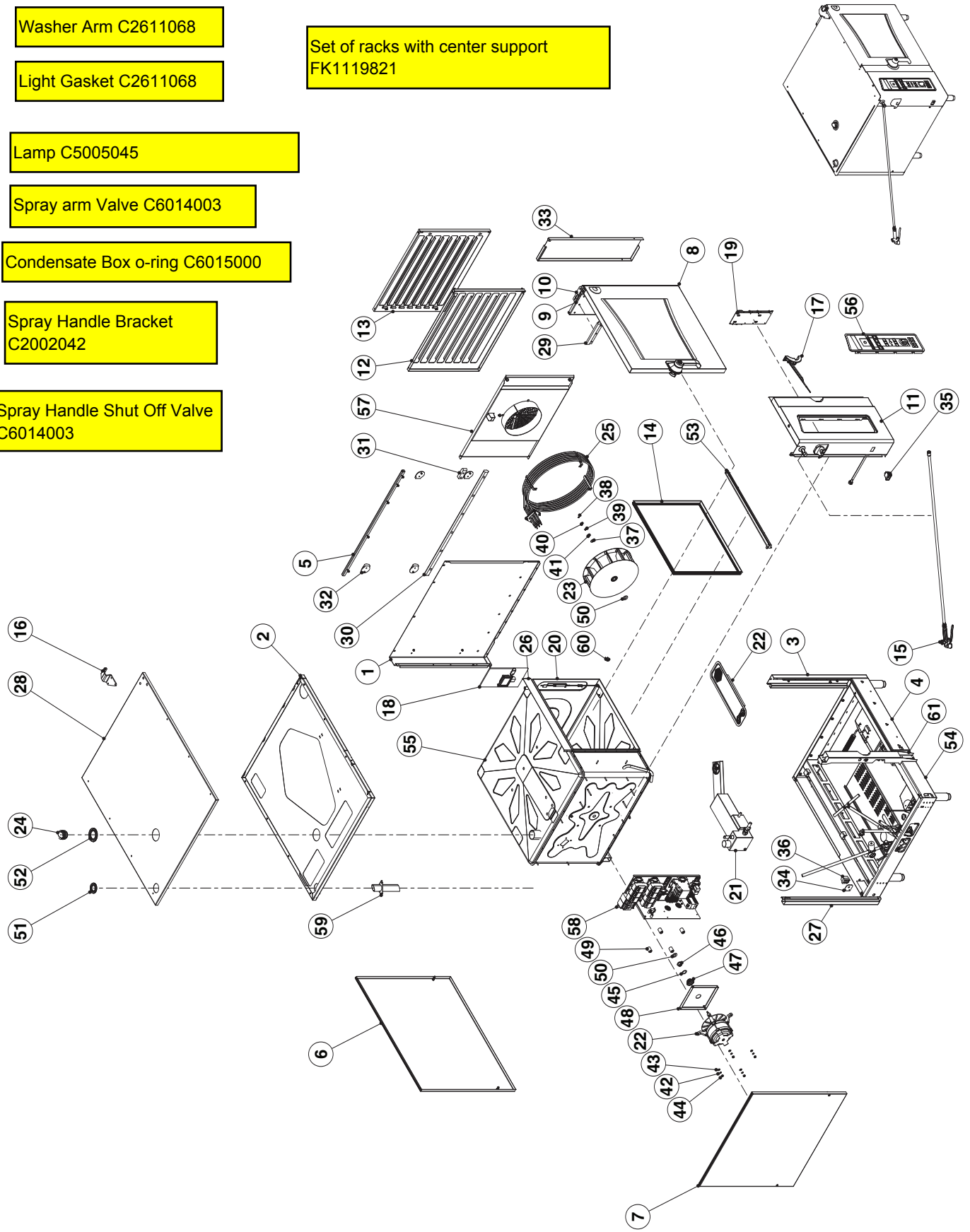
Spray arm Valve C6014003

Condensate Box o-ring C6015000

Spray Handle Bracket  
C2002042

Spray Handle Shut Off Valve  
C6014003

Set of racks with center support  
FK1119821



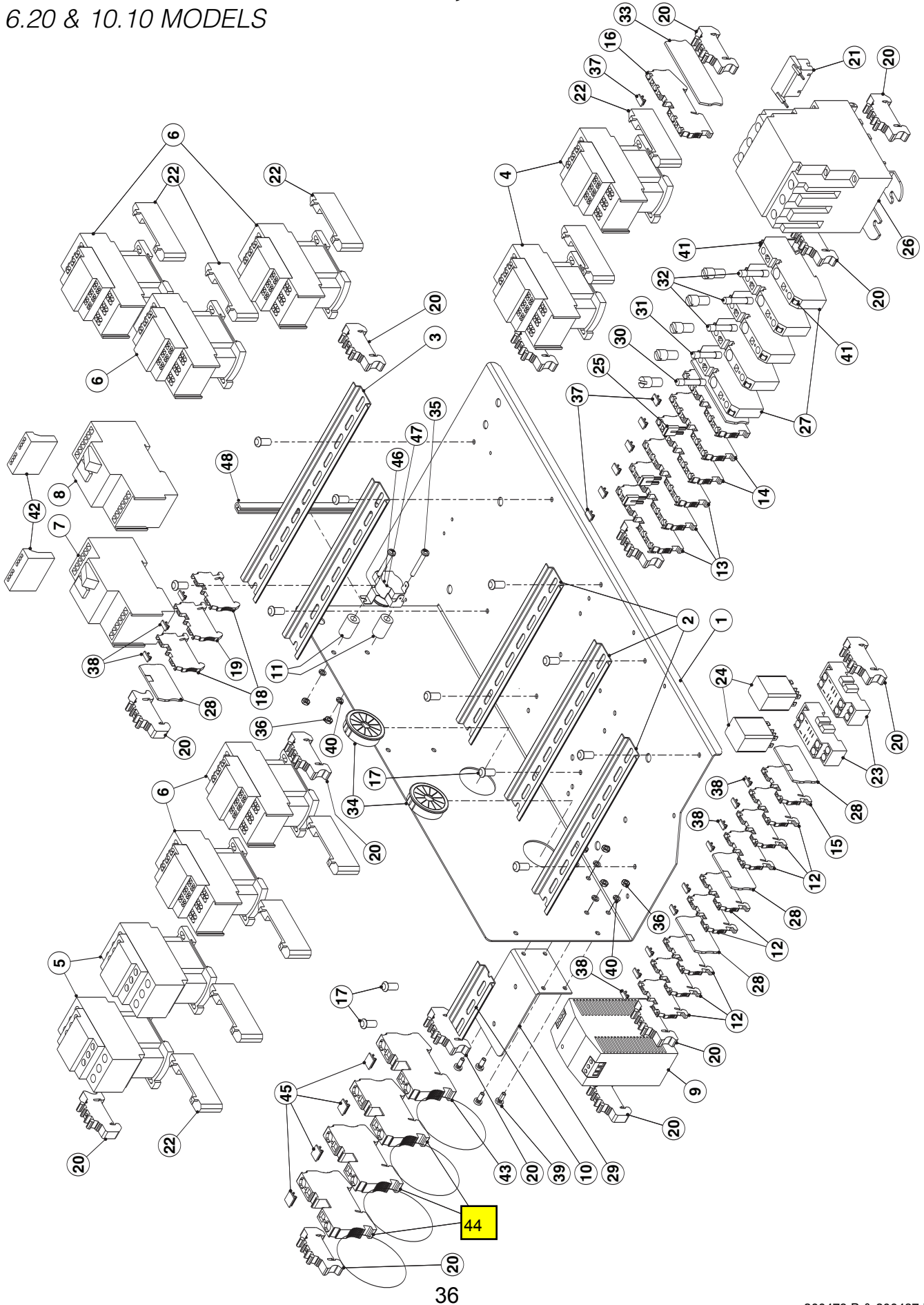
## 620 ELEC INJ W CLEANING

| ITEM | QTY | PART NO.   | DESCRIPTION   |
|------|-----|------------|---|
| 1    | 1   | C2115482   | ASSEMBLY, PANEL, RIGHT SIDE, 6.20   |
| 2    | 1   | C2114826   | ASSEMBLY/WELDMENT, INTERMEDIATE TOP, 6.20/10.20                                       |
| 3    | 1   | C2115489   | ASSEMBLY, CORNER, FRONT, RIGHT, 6.20  |
| 4    | 1   | C2114453   | WELDMENT, FACEPLATE, LOWER, 6.20/10.20  |
| 5    | 1   | C2114690   | ASSEMBLY, SLIDE BAR, DISAPPEARING DOOR, X.20  |
| 6    | 1   | C2114742   | ASSEMBLY, PANEL, REAR, ELECTRIC & GAS INJ, 6.20                                       |
| 7    | 1   | C2114782   | ASSEMBLY, PANEL, LEFT SIDE, 6.20  |
| 8    | 1   | C2514351   | DOOR 6.20 COMPLETE  |
| 9    | 1   | C2614801   | SLIDING PLATE VST 6.20 COMPLETE   |
| 10   | 1   | C2013006   | WELDMENT, HINGE CARRIER, UPPER, DOOR  |
| 11   | 1   | C2115442   | ASSEMBLY, CORNER, FRONT LEFT, 6.20  |
| 12   | 1   | C22141881  | PAN RACKS, LEFT, ELECTROPOLISHED, 6.20  |
| 13   | 1   | C22141891  | PAN RACKS, RIGHT, ELECTROPOLISHED, 6.20   |
| 14   | 1   | C7011004   | DOOR SEAL, 6.20,  |
| 15   | 1   | C2216080   | ASSEMBLY, HAND SHOWER,  |
| 16   | 1   | C2614740   | ASSEMBLY, GUIDE CLIP, VST, COUNTERTOP MODEL   |
| 17   | 1   | C6012001   | ASSEMBLY, BLOCK   |
| 18   | 1   | C2614841   | CAVITY LIGHT  |
| 19   | 1   | C2614266   | ASSEMBLY, CONTROLLER  |
| 20   | 1   | C2614263   | ASSEMBLY, CORE TEMPERATURE SENSOR   |
| 21   | 1   | C2414125   | FINAL ASSEMBLY, CONDENSER   |
| 22   | 1   | C50180041  | MOTOR W/STUD, 208-240V 60HZ, 200V 50HZ, 3-PHASE, 4/8 POLE, 0.6KW, ELECT. COMBI        |
| 23   | 1   | C6010001   | WHEEL, BLOWER, 350mm OD X 110mm WIDE, TYPE 304 SST, 6.20 & 10.10 COMBI                |
| 24   | 1   | C2608962   | ASSEMBLY, NEGATIVE PRESSURE SAFETY VENT   |
| 25   | 1   | C2614251   | ASSEMBLY, TUBULAR HEATING ELEMENT, 18.9KW   |
| 26   | 1   | C2114732   | FACEPLATE, UPPER X.20   |
| 27   | 1   | C2114633   | CORNER, WELDED, REAR, LEFT, 6.20  |
| 28   | 1   | 111628     | PANEL, TOP, ELECTRIC INJ, 6.20  |
| 29   | 1   | C6012008   | SUPPORT STRIP RST   |
| 30   | 1   | C2017000   | SAFETY RAIL, VST, X.20,   |
| 31   | 1   | C6012009   | GUIDE STRIP, LOWER VST  |
| 32   | 4   | C6012011   | DOORSTOPPER VA VST  |
| 33   | 1   | C2114816   | COVER PANEL, DISAPPEARING DOOR RST 6.20   |
| 34   | 1   | C2114798   | BRACKET, HIGH LIMIT, STEAM GENERATOR,   |
| 35   | 1   | 19993      | SWITCH, ROCKER, DPDT, ON/OFF 15A, 125V  |
| 36   | 1   | C5001041   | SAFETY TEMPERATURE LIMITER, 340°C   |
| 37   | 1   | 111544     | WASHER, BELLEVILLE, M10, SMOOTH, TYPE 301 SST,<br>10.21mm ID X 24mm OD X 1.85mm THICK |
| 38   | 1   | 111543     | RING, RETAINING, EXTERNAL, 1/4", STAINLESS STEEL, WALDES #5100-25H                    |
| 39   | 1   | 111542     | WASHER, BELLEVILLE, M8, SERRATED BOTH SIDES, SST,<br>8.4mm ID X 13mm OD X 0.8mm THICK |
| 40   | 1   | 111541     | NUT, HEX, LEFT-HAND, M8 X 1.25 (DIN 934L), STAINLESS STEEL                            |
| 41   | 1   | 111540     | NUT, HEX, M10 X 1.5 (DIN 934), STAINLESS STEEL  |
| 42   | 4   | C8006060   | SCHNORR LOCK WASHER   |
| 43   | 4   | C8005050   | WASHER, 8.4 A2 DIN 125  |
| 44   | 4   | C8004057   | NUT, HEX, M8 A4   |
| 45   | 1   | C6015210   | SHIM, WEARING MOTOR SHAFT SEAL  |
| 46   | 1   | C6015206   | BUSHING, LABYRINTH  |
| 47   | 1   | C6015050   | SPRING, MOTOR SHAFT SEAL  |
| 48   | 1   | C2114140   | MOTOR MOUNTING PLATE  |
| 49   | 4   | C6015213   | SPACER, MOTOR 1.299 (FAN DISTANCE 2.008in)  |
| 50   | 2   | C6015021   | SEALING RING, MOTOR SHAFT, VITON, COMBI   |
| 51   | 1   | C6005048   | DIAPHRAGM GROMMET ø 60 mm (DG 48) P2  |
| 52   | 1   | C6005427   | DIAPHRAGM GROMMET ø 83 (DG60) FOR VAC. REG. VALVE                                     |
| 53   | 1   | C2018001   | DRIP TRAY, DOOR   |
| 54   | 1   | C21145271  | BASE, OES 6.20, W/ CLEANING   |
| 55   | 1   | C2215017   | ASSEMBLY, INNER SHELL 6.20, ELEC, IN, REI, KTM  |
| 56   | 1   | C2114296-3 | ASSY, CONTROL PANEL, SPRITZER, WITH PICTO   |
| 57   | 1   | C2214152   | ASSEMBLY, INTAKE PLATE, IN, 6.20  |
| 58   | 1   | 300487     | INSTRUCTION, COMPONENT, PANEL, OES 6.20/10.10   |
| 59   | 1   | C2114292   | AIR OUTLET CONNECTING PIECE 20.20 GEN. 6.20/10.10/20.20 INJ.                          |
| 60   | 1   | C2016009   | COVER, BYPASS   |
| 61   | 1   | C2114718   | ASSEMBLY, REINFORCEMENT, DOOR LATCH, 6.20   |



# COMPONENT PANEL ASSEMBLY, ELECTRIC

6.20 & 10.10 MODELS



# **COMPONENT PANEL ASSEMBLY, ELECTRIC**

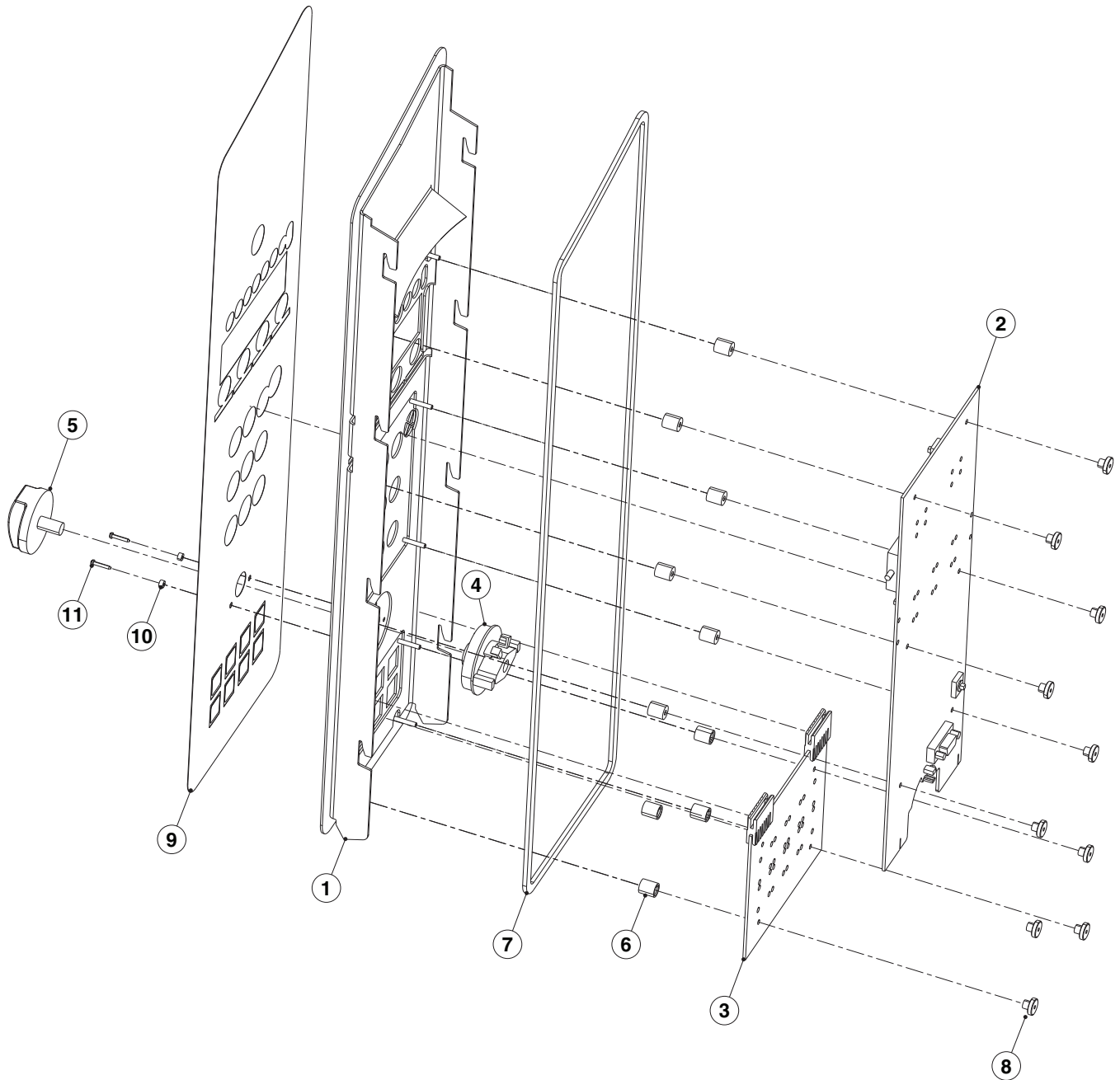
## *6.20 & 10.10 MODELS*

| <b>ITEM</b> | <b>QTY</b> | <b>PART NO.</b> | <b>DESCRIPTION</b>                                    |
|-------------|------------|-----------------|---|
| 1           | 1          | C5115400        | PANEL, ELECTRICAL COMPONENT 6.10/6.20/10.10           |
| 2           | 4          | 111601          | DIN RAIL 8.375"                                       |
| 3           | 1          | 111602          | DIN RAIL 10.5"  |
| 4           | 2          | C4011001        | CONTACTOR, 32A SPRING LOADED, OEB 6.20/10.10          |
| 5           | 2          | C4011013        | CONTACTOR, 50A SCREW TERMINAL                         |
| 6           | 5          | C4011000        | CONTACTOR, 25A SPRING LOADED TERMINAL                 |
| 7           | 1          | 300458          | MOTOR STARTER, 2.5-4 AMP                              |
| 8           | 1          | 300426          | MOTOR STARTER, 1.6 - 2.5 AMP                          |
| 9           | 1          | 300350          | POWER SUPPLY (12V)                                    |
| 10          | 1          | 111603          | DIN RAIL 3.25"  |
| 11          | 2          | 19555           | SPACER,1/4" I.D. X 1/2 O.D.                           |
| 12          | 8          | C4014030        | TERMINAL BLOCK, SPRING LOADED, 1.5MM2                 |
| 13          | 3          | C4014012        | TERMINAL BLOCK, SPRING-LOADED, FOUR-WIRE, BLUE        |
| 14          | 2          | C4014013        | TERMINAL BLOCK, SPRING- LOADED, FOUR-WIRE             |
| 15          | 1          | C4014029        | TERMINAL BLOCK, SPRING-LOADED, 1.5MM-BLUE             |
| 16          |            | 2 C4014006      | TERMINAL BLOCK, CONDUCTOR, SPRING-LOADED              |
| 17          | 12         | 106123          | SCREW, 10-32 X 1/2, TORX/ PAN HD, THRD FORMING, ZN    |
| 18          | 2          | C4014027        | TERMINAL BLOCK, SPRING-LOADED                         |
| 19          | 1          | C4014025        | TERMINAL BLOCK, GROUNDING,SPRING-LOADED               |
| 20          | 14         | C4014000        | SNAP-ON END BRACKET                                   |
| 21          | 1          | 300428          | RC FILTER, CONTACTOR                                  |
| 22          | 9          | C4011004        | RC FILTER, CONTACTOR                                  |
| 23          | 2          | 300473          | RELAY SOCKET  |
| 24          | 2          | 300470          | RELAY, DPDT   |
| 25          | 3          | C4014001        | JUMPER, 2 PIN   |
| 26          | 1          | 300439          | CONTACTOR 60A (SAFETY)                                |
| 27          | 5          | C4014037        | DINRAIL MOUNTED FUSEHOLDER (6.3X32)                   |
| 28          | 4          | C4014031        | COVER 2.5 MM2   |
| 29          | 1          | C5116110        | BRACKET, TERMINAL BLOCK, COMPONENT PANEL              |
| 30          | 1          | 300416          | FUSE MDA-2  |
| 31          | 1          | 300418          | FUSE MDA-1  |
| 32          | 3          | 300430          | FUSE, MDA-10  |
| 33          | 2          | C4014011        | COVER, FOUR-WIRE                                      |
| 34          | 2          | 111751          | BUSHING, UNIVERSAL, 1.5DIA HOLE,HEYCO#2213,SNAP-IN UL |
| 35          | 2          | 111607          | SCREW, FILISTER HD, M4 X 30                           |
| 36          | 6          | 111605 M4       | NUT   |
| 37          | 7          | C4014044        | LABEL, BLANK, TERMINAL BLOCK, ZB6                     |
| 38          | 12         | C4014033        | LABEL BLANK, TERMINAL BLOCK, ZB4                      |
| 39          | 4          | C8001024        | SCREW, FILISTER HD, M4x10 DIN 7985                    |
| 40          | 6          | 111606          | M4 LOCK WASHER  |
| 41          | 10         | C4014039        | LABEL BLANK, TERMINAL BLOCK, ZBF6                     |
| 42          | 2          | 300477          | AUXILIARY CONTACT                                     |
| 43          | 1          | C4014055        | TERMINAL BLOCK, GROUNDING, SPRING-LOADED              |
| 44          | 3          | C4014057        | TERMINAL BLOCK, SPRING LOADED                         |
| 45          | 4          | C4014042        | LABEL BLANK, TERMINAL BLOCK, ZB10                     |
| 46          | 1          | 300454          | THERMOSTAT (62C)                                      |
| 47          | 1          | 300459          | THERMOSTAT (77C)                                      |
| 48          | 1          | C700106606000   | EDGE GUARD  |
| 49          | 1          | 300482          | WIRE HARNESS, OEB 6.20/10.10 (NOT SHOWN)              |
|             |            | 300489          | WIRE HARNESS, OES 6.20/10.10 (NOT SHOWN)              |



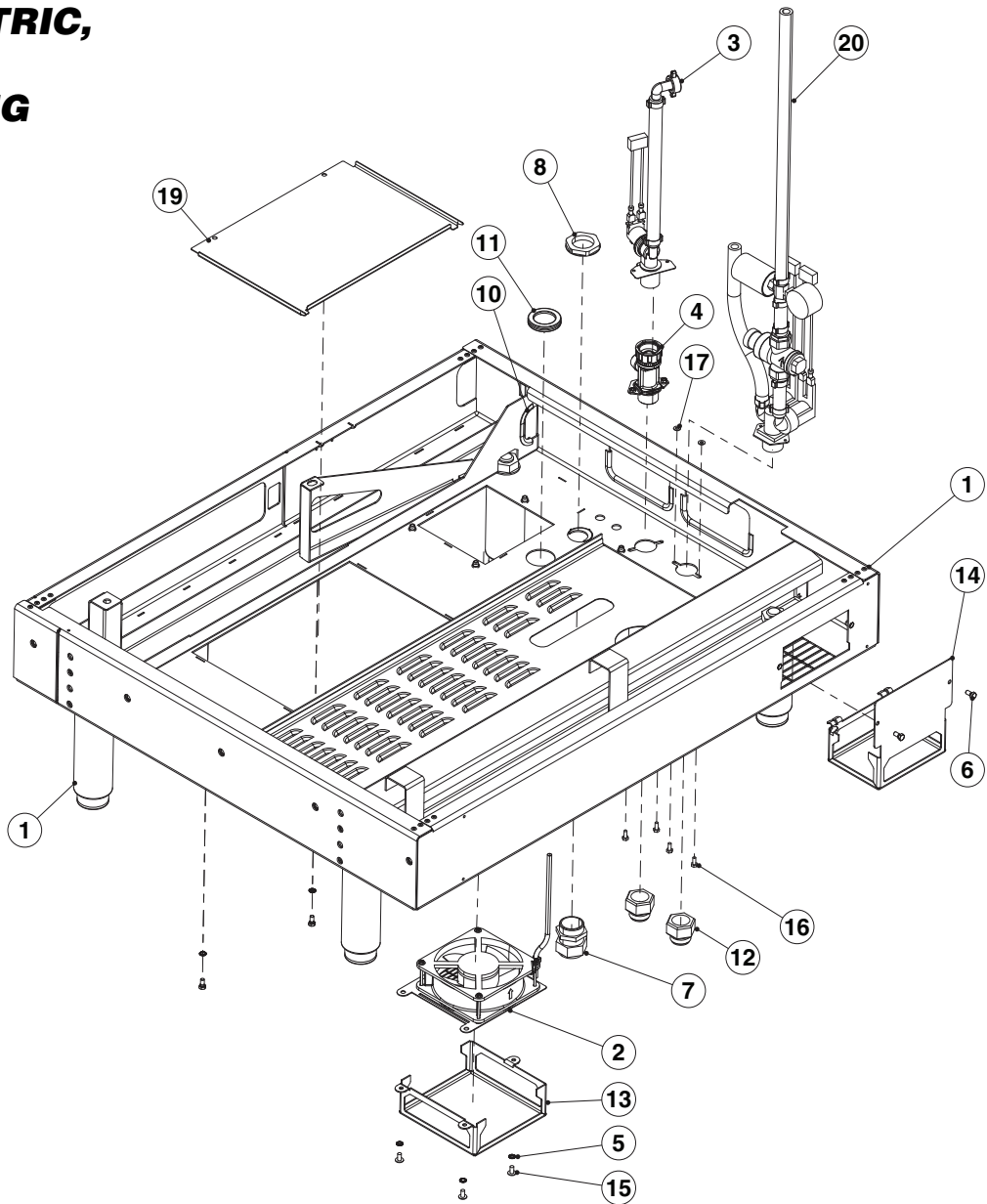
# ASSEMBLY, CONTROL PANEL, WITH PICTO

ALL MODELS



| ITEM | QTY | PART NO. | DESCRIPTION                                 |
|------|-----|----------|---|
| 1    | 1   | C2114297 | WELDMENT, CONTROL PANEL                     |
| 2    | 1   | C5019101 | CONTROLLER, 5010 OPERATING MODULE           |
| 3    | 1   | C5019105 | CONTROLLER, 5010 PICTOMODULE PICTO          |
| 4    | 1   | C5009313 | LATCH ROCKER                                |
| 5    | 1   | C5009314 | KNOB, SELECTOR, COMBI                       |
| 6    | 10  | C8009030 | SPACER, CONTROL PANEL                       |
| 7    | 1   | C7011010 | GASKET, FRONT PLATE                         |
| 8    | 10  | C6005254 | NUT, KNURLED                                |
| 9    | 1   | 111588   | LABEL, CONTROL PANEL, STEAM GEN, WITH PICTO |
|      | 1   | 111590   | LABEL, CONTROL PANEL, SPRITZER, WITH PICTO  |
| 10   | 2   | C6005270 | SPACER, CONTROL KNOB STOP                   |
| 11   | 2   | C8007013 | SLOTTED PAN-HEAD TAPPING SCREW 2.2 X 13     |
| 12   | 1   | 300533   | CABLE, CONNECTING, CONTROL (NOT SHOWN)      |

**BASE, ELECTRIC,  
INJECTOR,  
NO CLEANING**

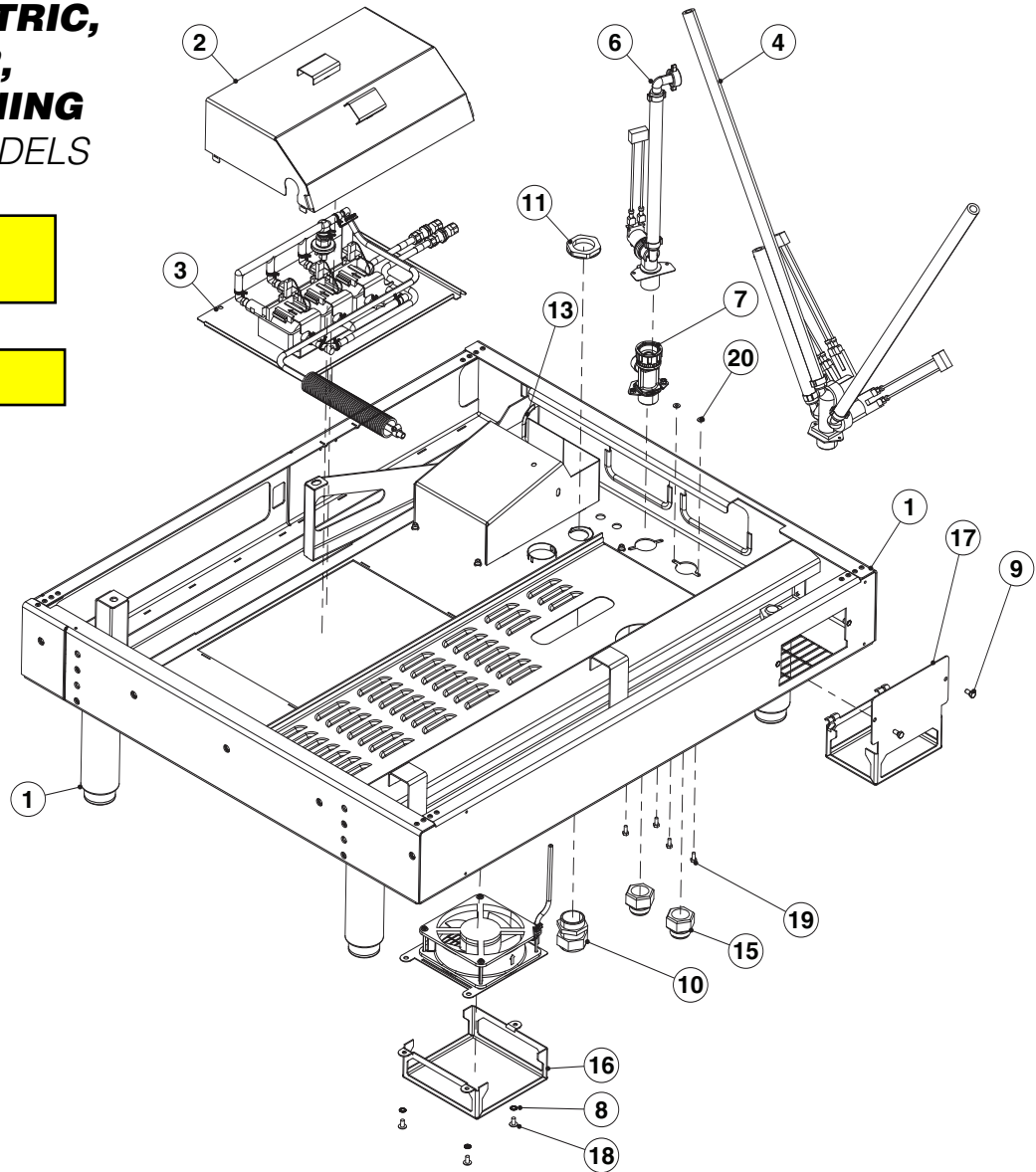


| ITEM | QTY | PART NO.        | DESCRIPTION                                      |
|------|-----|-----------------|--|
| 1    | 1   | C2114520        | OUTER BASE, EL, 6.10/10.10                       |
| 2    | 1   | C2216088        | AIR INLET BOX FINAL ASSEMBLY                     |
| 3    | 1   | C2016023        | ASSEMBLY, WATER HOSE SYSTEM COND.                |
| 4    | 1   | C5011003        | CONNECTION FLANGE                                |
| 5    | 5   | C8006058        | SCHNORR LOCK WASHER (NOT SHOWN)                  |
| 6    | 4   | C8003035        | HEXAGON BOLT M5X10                               |
| 7    | 1   | C5006063        | SCREWED CABLE GLAND                              |
| 8    | 1   | C5006064        | LOCKNUT  |
| 10   | 1   | C70016603000    | EDGE PROTECTOR, CUT 3.000"                       |
| 11   | 1   | C6005021        | RUBBER BUSHING 42 MM OD                          |
| 12   | 2   | 111538          | ADAPTER, 3/4-14 BSPP FEMALE X 3/4 GHT MALE,      |
| 13   | 1   | 111522          | TRAY, DRIP, FAN, FRONT, 6.20/20.20/10.10         |
| 14   | 1   | 111551          | TRAY, DRIP, FAN, REAR, ELECTRIC & GAS INJ, 6.10/ |
| 15   | 3   | C8003029        | MLF, SCREW, M5x10                                |
| 16   | 4   | C8013004        | HEXAGON BOLT M4 X 10                             |
| 17   | 2   | C8005021        | WASHER, 4.3, DIN 125                             |
| 18   | 1   | C5215897        | CABLE HARNESS, ILLUMINATION                      |
| 19   | 1   | C2114626        | COVER, BOTTOM, PUMP HOUSING                      |
| 20   | 1   | C2016039        | ASSEMBLY, WATER VALVE, ELEC, 10.10               |
| 26   | 1   | C700106607000-1 | EDGE PROTECTOR, CUT 7.000"                       |
| 27   | 1   | C700106607000   | EDGE PROTECTOR, CUT 7.000"                       |

**BASE, ELECTRIC,  
GENERATOR,  
WITH CLEANING**  
OEB 10.10 MODELS

Bulk head Fitting (clean&rinse fitting)-C6015247

Nut for Bulk head C8004060

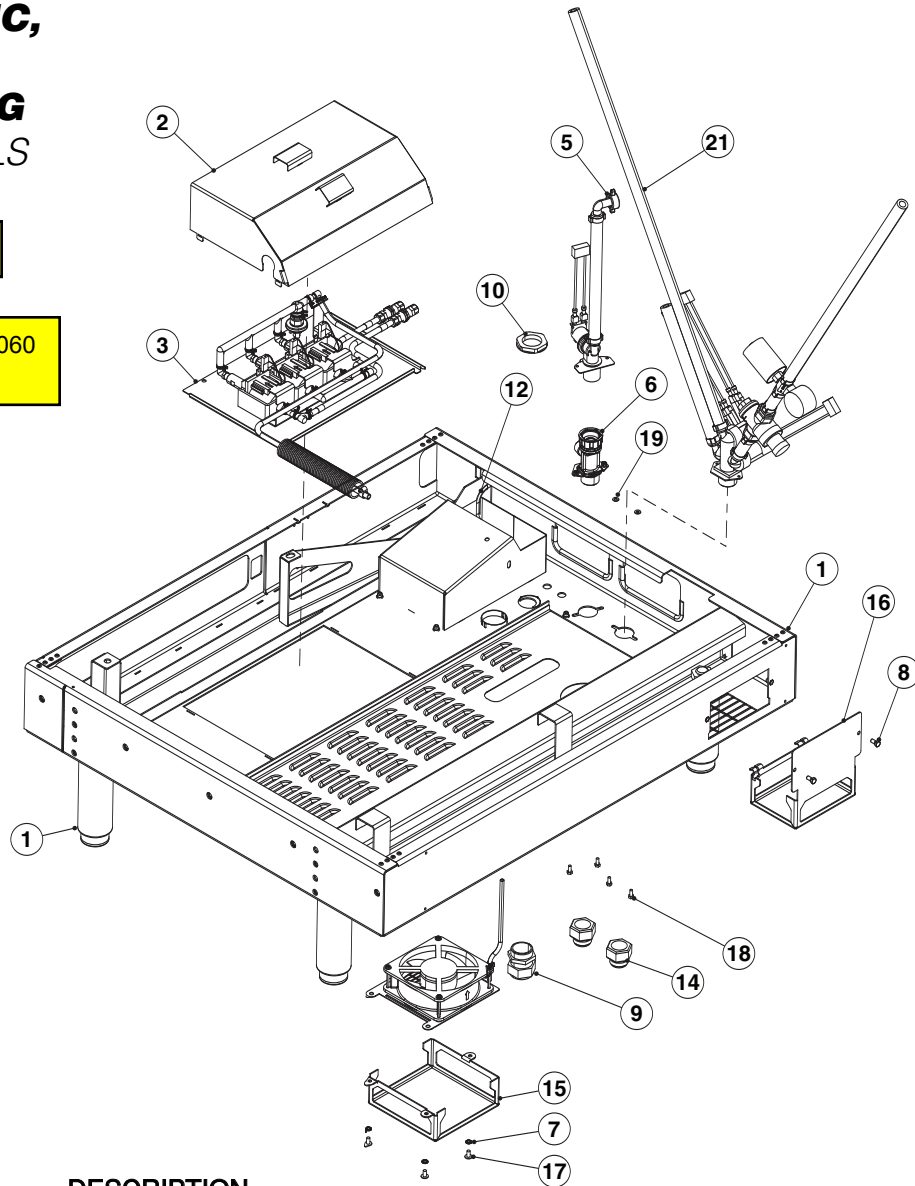


| ITEM | QTY | PART NO.        | DESCRIPTION  |
|------|-----|-----------------|--|
| 1    | 1   | C2114520        | OUTER BASE, EL. 6.10/10.10   |
| 2    | 1   | C2114699        | ASSEMBLY, TOP COVER, PUMP HOUSING, AUTO CLEAN SYSTEM                 |
| 3    | 1   | C2614472        | BOTTOM FLAP, PUMP HOUSING, ELEC. 10.10 240V PREASSEMBLED (NOT SHOWN) |
| 4    | 1   | C2016042        | ASSEMBLY, WATER VALVE, ELEC. W/CLEANING SYSTEM 10.10                 |
| 6    | 1   | C2016023        | ASSEMBLY, WATER HOSE SYSTEM COND.                                    |
| 7    | 1   | C5011003        | CONNECTION FLANGE  |
| 8    | 5   | C8006058        | SCHNORR LOCK WASHER  |
| 9    | 4   | C8003035        | HEXAGON BOLT M5X10   |
| 10   | 1   | C5006063        | SCREWED CABLE GLAND  |
| 11   | 1   | C5006064        | LOCKNUT  |
| 13   | 1   | C70016603000    | EDGE PROTECTOR, CUT 3.000"   |
| 15   | 2   | 111538          | ADAPTER, 3/4-14 BSPP FEMALE X 3/4 GHT MALE, GH                       |
| 16   | 1   | 111522          | TRAY, DRIP, FAN, FRONT, 6.20/20.20/10.10                             |
| 17   | 1   | 111551          | TRAY, DRIP, FAN, REAR, ELECTRIC & GAS INJ, 6.10/10.10                |
| 18   | 3   | C8003029        | MLF, SCREW, M5x10  |
| 19   | 4   | C8013004        | HEXAGON BOLT M4 X 10   |
| 20   | 2   | C8005021        | WASHER, 4.3, DIN 125   |
| 21   | 1   | C5215897        | CABLE HARNESS, ILLUMINATION  |
| 23   | 1   | C2216090        | FAN, AIR INLET BOX ASSEMBLY  |
| 24   | 1   | C700106607000-1 | EDGE PROTECTOR, CUT 7.000"   |
| 25   | 1   | C700106607000   | EDGE PROTECTOR, CUT 7.000"   |
| 26   | 1   | 111752          | PLUG, 1.500 DIA, HOLE, SNAP-IN                                       |
| 27   | 1   | C2116092        | BOX, AIR INTAKE  |

**BASE, ELECTRIC,  
INJECTOR,  
WITH CLEANING**  
OES 10.10 MODELS

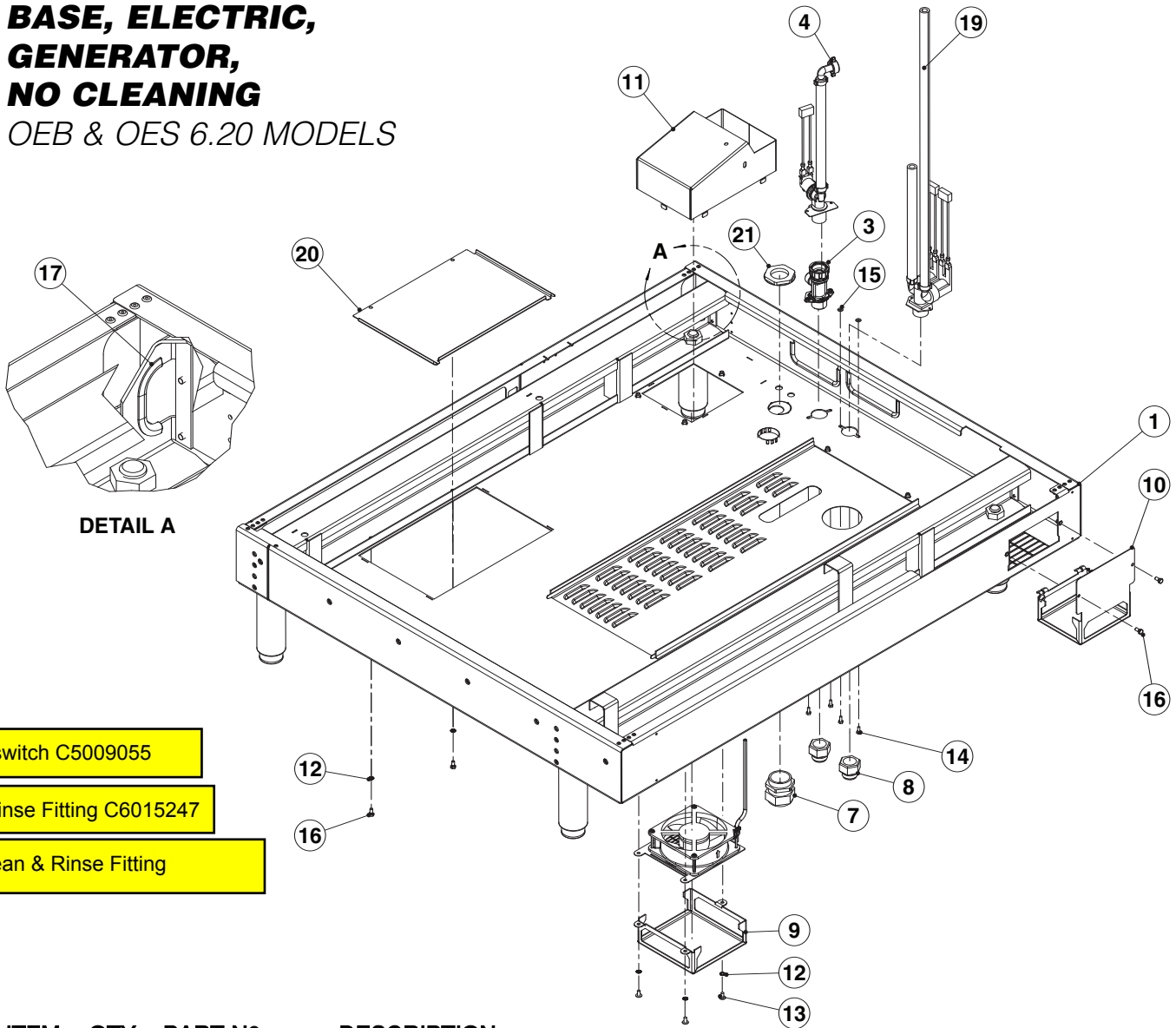
Clean and Rinse Fitting C6015247

Nut for Clean and Rinse fitting C8004060



| ITEM | QTY | PART NO.        | DESCRIPTION  |
|------|-----|-----------------|--|
| 1    | 1   | C2114520        | OUTER BASE, EL. 6.10/10.10   |
| 2    | 1   | C2114699        | ASSEMBLY, TOP COVER, PUMP HOUSING, AUTO CLEAN SYSTEM                 |
| 3    | 1   | C2614472        | BOTTOM FLAP, PUMP HOUSING, ELEC. 10.10 240V PREASSEMBLED (NOT SHOWN) |
| 5    | 1   | C2016023        | ASSEMBLY, WATER HOSE SYSTEM COND.                                    |
| 6    | 1   | C5011003        | CONNECTION FLANGE  |
| 7    | 5   | C8006058        | SCHNORR LOCK WASHER  |
| 8    | 4   | C8003035        | HEXAGON BOLT M5X10   |
| 9    | 1   | C5006063        | SCREWED CABLE GLAND  |
| 10   | 1   | C5006064        | LOCKNUT  |
| 12   | 1   | C70016603000    | EDGE PROTECTOR, CUT 3.000"   |
| 14   | 2   | 111538          | ADAPTER, 3/4-14 BSPP FEMALE X 3/4 GHT MALE, GH                       |
| 15   | 1   | 111522          | TRAY, DRIP, FAN, FRONT, 6.20/20.20/10.10                             |
| 16   | 1   | 111551          | TRAY, DRIP, FAN, REAR, ELECTRIC & GAS INJ, 6.10/10.10                |
| 17   | 3   | C8003029        | MLF, SCREW, M5x10  |
| 18   | 4   | C8013004        | HEXAGON BOLT M4 X 10   |
| 19   | 2   | C8005021        | WASHER, 4.3, DIN 125   |
| 20   | 1   | C5215897        | CABLE HARNESS, ILLUMINATION  |
| 21   | 1   | C2016038        | ASSY, WATER VALVE, ELEC. 10.10                                       |
| 24   | 1   | C2216090        | FAN, AIR INLET BOX ASSEMBLY  |
| 25   | 1   | 111752          | PLUG, 1.500 DIA, HOLE, SNAP-IN                                       |
| 26   | 1   | C700106607000-1 | EDGE PROTECTOR, CUT 7.000"   |
| 27   | 1   | C700106607000   | EDGE PROTECTOR, CUT 7.000"   |
| 28   | 1   | C2116092        | BOX, AIR INTAKE  |

**BASE, ELECTRIC,  
GENERATOR,  
NO CLEANING**  
OEB & OES 6.20 MODELS



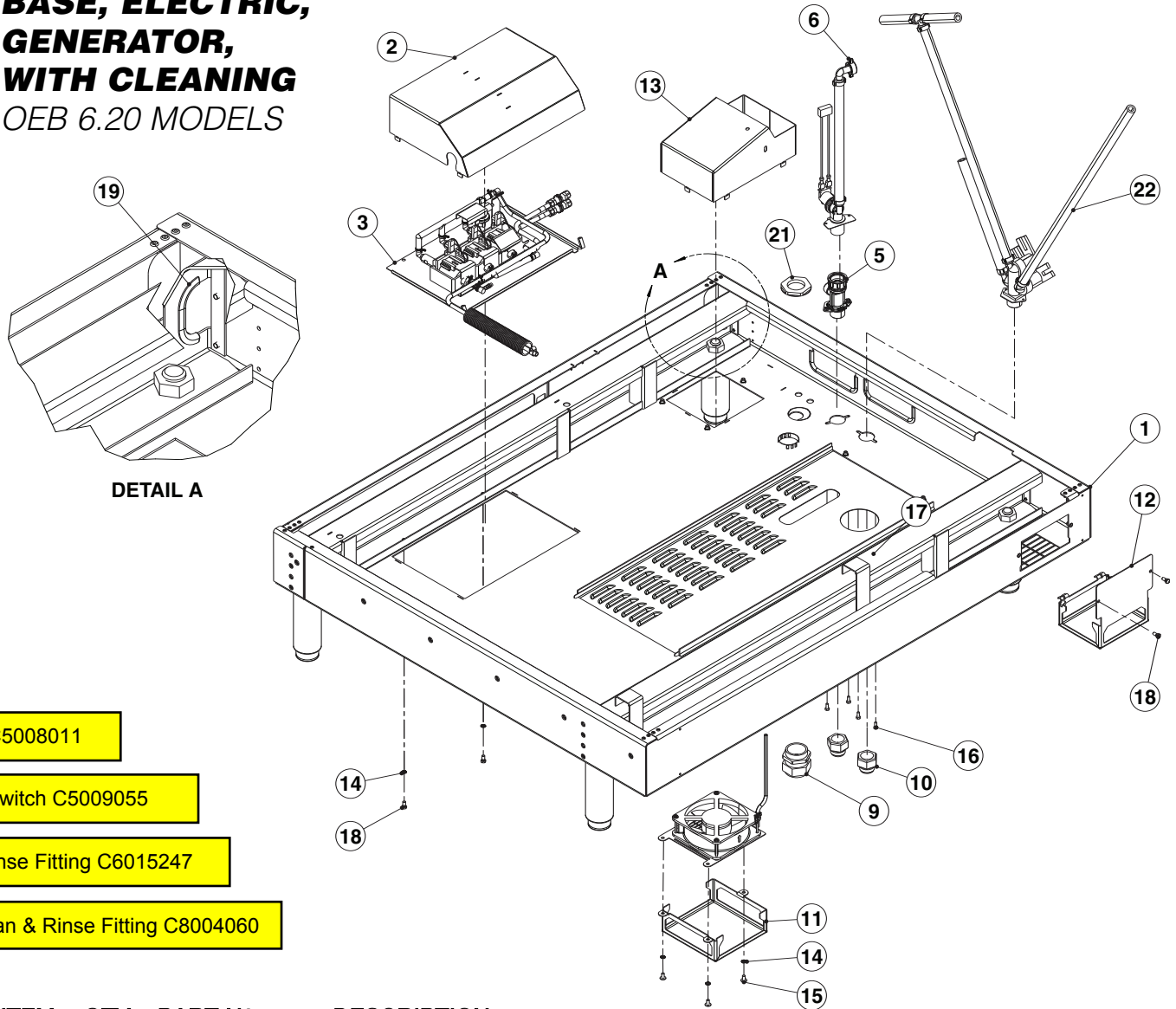
Pressure switch C5009055

Clean & Rinse Fitting C6015247

Nut for Clean & Rinse Fitting

| ITEM | QTY | PART NO.        | DESCRIPTION                                    |
|------|-----|-----------------|--|
| 1    | 1   | C2114522        | ASSEMBLY, OUTER PLATE EL 6.20/10.20            |
| 3    | 1   | C5011003        | CONNECTION FLANGE                              |
| 4    | 1   | C2016023        | ASSEMBLY, WATER HOSE SYSTEM COND.              |
| 7    | 1   | C5006065        | SCREWED CABLE GLAND                            |
| 8    | 2   | 111538          | ADAPTER, 3/4-14 BSPP FEMALE X 3/4 GHT MALE, GH |
| 9    | 1   | 111522          | TRAY, DRIP, FAN, FRONT, 6.20/20.20/10.10       |
| 10   | 1   | 111524          | TRAY, DRIP, FAN, REAR, 6.20/20.20              |
| 11   | 1   | C2116092        | BOX, AIR INTAKE                                |
| 12   | 5   | C8006058        | SCHNORR LOCK WASHER                            |
| 13   | 3   | C8003029        | MLF, SCREW, M5X10                              |
| 14   | 4   | C8013004        | HEXAGON BOLT M4X10                             |
| 15   | 2   | C8005021        | WASHER, 4.3, DIN 125                           |
| 16   | 4   | C8003035        | HEXAGON BOLT M5X10                             |
| 17   | 1   | C70016603000    | EDGE PROTECTOR, CUT 3.000"                     |
| 18   | 1   | C5215897        | CABLE HARNESS, ILLUMINATION                    |
| 19   | 1   | C2016025        | ASSEMBLY, WATER VALVE, ELEC, 6.20, OEB         |
|      |     | C2016032        | ASSEMBLY, WATER VALVE, ELEC, 6.20, OES         |
| 20   | 1   | C2114626        | COVER, BOTTOM, PUMP HOUSING                    |
| 21   | 1   | C5006066        | LOCKNUT, M40                                   |
| 27   | 1   | C2216090        | FAN, AIR INLET BOX ASSEMBLY (NOT SHOWN)        |
| 28   | 1   | 111752          | PLUG, 1.500 DIA, HOLE, SNAP-IN                 |
| 29   | 1   | C700106607000-1 | EDGE PROTECTOR, CUT 7.000"                     |
| 30   | 1   | C700106607000   | EDGE PROTECTOR, CUT 7.000"                     |

**BASE, ELECTRIC,  
GENERATOR,  
WITH CLEANING**  
OEB 6.20 MODELS



Pump C5008011

Pressure switch C5009055

Clean & Rinse Fitting C6015247

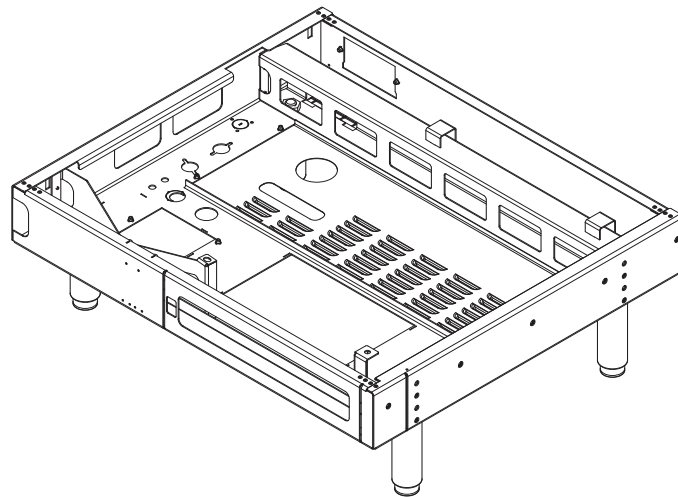
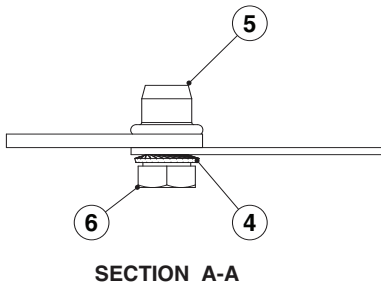
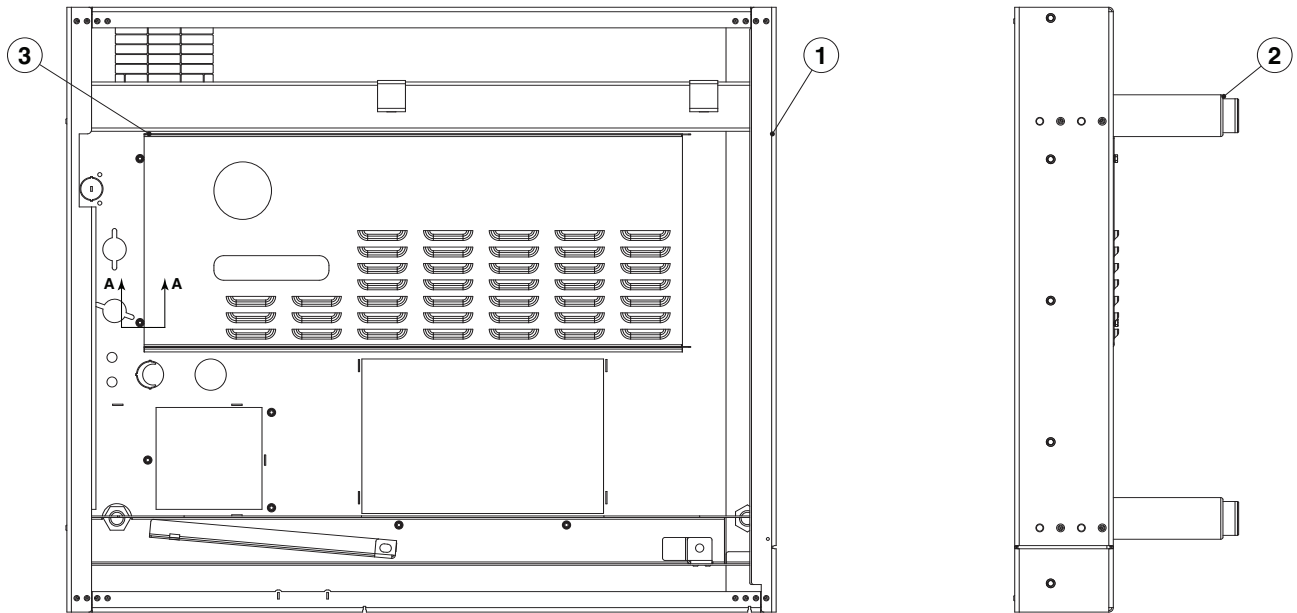
Nut for Clean & Rinse Fitting C8004060

| ITEM | QTY | PART NO.        | DESCRIPTION  |
|------|-----|-----------------|--|
| 1    | 1   | C2114522        | ASSEMBLY, OUTER PLATE EL 6.20/10.20                    |
| 2    | 1   | C2114699        | ASSEMBLY, TOP COVER, PUMP HOUSING, AUTO CLEAN SYSTEM   |
| 3    | 1   | C2614471        | BOTTOM FLAP, PUMP HOUSING ELEC, 6.20 240V PREASSEMBLED |
| 5    | 1   | C5011003        | CONNECTION FLANGE                                      |
| 6    | 1   | C2016023        | ASSEMBLY, WATER HOSE SYSTEM COND.                      |
| 9    | 1   | C5006065        | SCREWED CABLE GLAND                                    |
| 10   | 2   | 111538          | ADAPTER, 3/4-14 BSPP FEMALE X 3/4 GHT MALE, GH         |
| 11   | 1   | 111522          | TRAY, DRIP, FAN, FRONT, 6.20/20.20/10.10               |
| 12   | 1   | 111524          | TRAY, DRIP, FAN, REAR, 6.20/20.20                      |
| 13   | 1   | C2116092        | BOX, AIR INTAKE  |
| 14   | 5   | C8006058        | SCHNORR LOCK WASHER                                    |
| 15   | 3   | C8003029        | MLF, SCREW, M5x10                                      |
| 16   | 4   | C8013004        | HEXAGON BOLT   |
| 17   | 2   | C8005021        | WASHER, 4.3, DIN 125                                   |
| 18   | 4   | C8003035        | HEXAGON BOLT M5X10                                     |
| 19   | 1   | C70016603000    | EDGE PROTECTOR, CUT 3.000"                             |
| 20   | 1   | C5215897        | CABLE HARNESS, ILLUMINATION                            |
| 21   | 1   | C5006066        | LOCKNUT  |
| 22   | 1   | C2016035        | ASSEMBLY, WATER SUPPLY GEN W/CLEANING SYSTEM 6.20      |
| 26   | 1   | C2216090        | FAN, AIR INLET BOX ASSEMBLY (NOT SHOWN)                |
| 27   | 1   | 111752 PLUG,    | 1.500 DIA, HOLE, SNAP-IN                               |
| 28   | 1   | C700106607000-1 | EDGE PROTECTOR, CUT 7.000"                             |
| 29   | 1   | C700106607000   | EDGE PROTECTOR, CUT 7.000"                             |

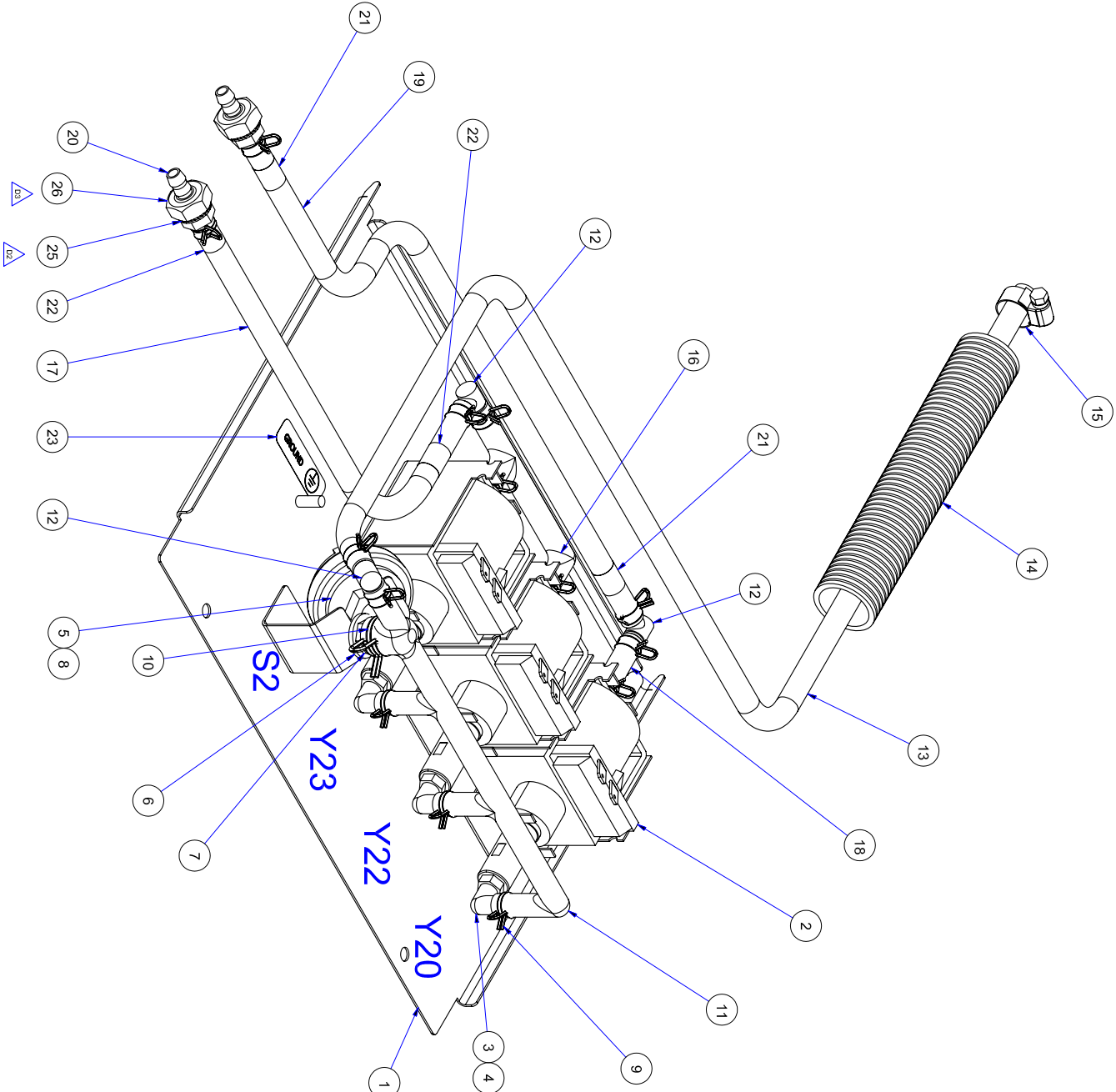


# OUTER BASE

ALL ELECTRIC 6.10 & 10.10 MODELS



| ITEM | QTY | PART NO. | DESCRIPTION  |
|------|-----|----------|--|
| 1    | 1   | C2115380 | WELDMENT, OUTER BASE, ELECTRIC & GAS INJ, 6.10/10.10 |
| 2    | 4   | 111604   | FOOT, 6" ADJUSTABLE, PEG FOOT, COMBI                 |
| 3    | 1   | C2114627 | COVER, BOTTOM, ACCESS, CONDENSER                     |
| 4    | 2   | C8006058 | SCHNORR LOCK WASHER                                  |
| 5    | 9   | C8008094 | BLIND RIVET NUT M5 A2 HEXAGON                        |
| 6    | 2   | C8003035 | HEXAGON BOLT M5X10                                   |



NOT SHOWN

NOT SHOWN

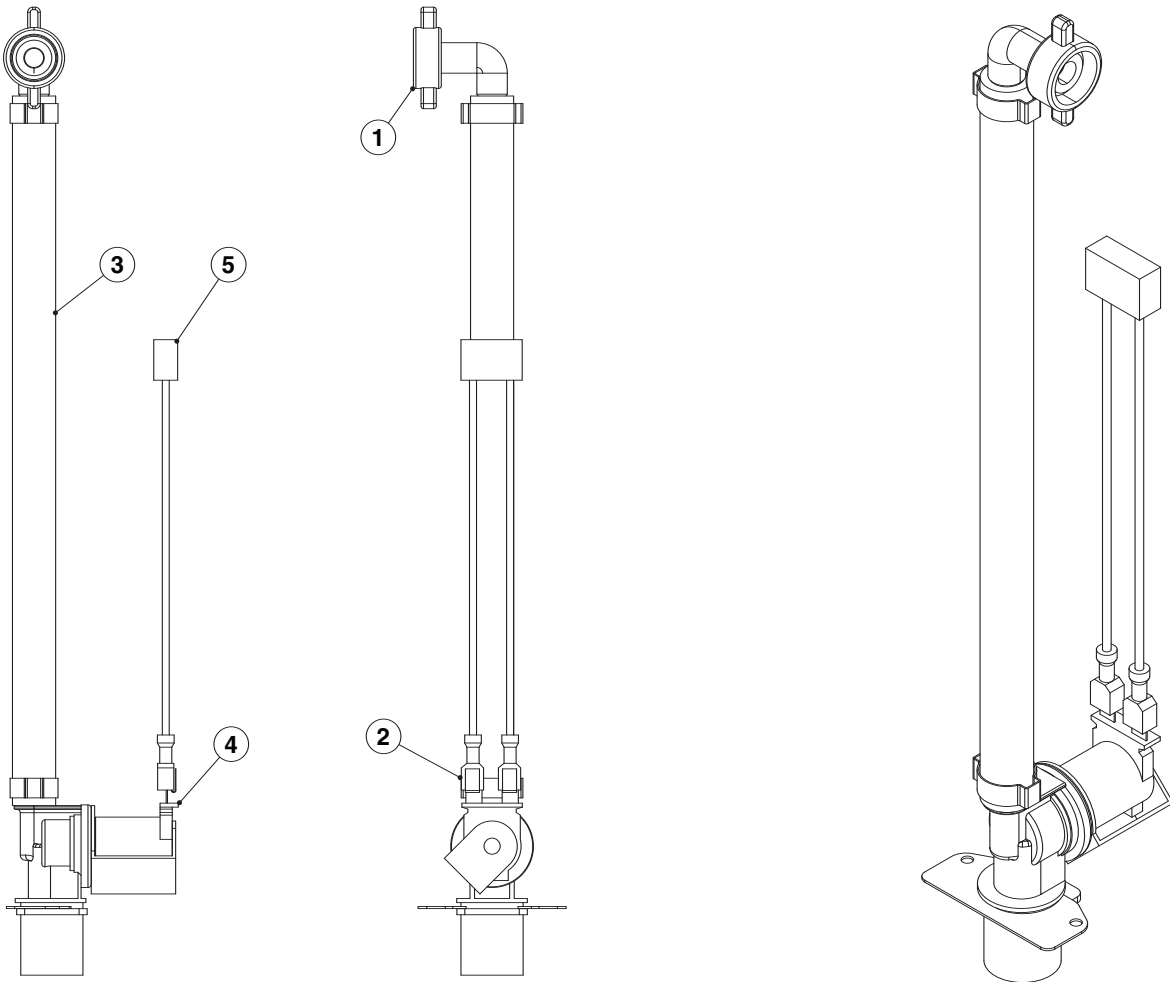
| ITEM | QTY | PART NO.      | DESCRIPTION  |
|------|-----|---------------|--|
| 27   | 1   | 14672         | NUT, HEX NYLON, 10-32 ZP FOR GROUND WIRE   |
| 26   | 2   | 111540        | NUT, HEX, M10 X 1.5, DIN 934, STAINLESS STEEL                                      |
| 25   | 2   | C8006063      | WASHER, BELLEVILLE, M10, SERRATED BOTH SIDES, SST, 10.5mm ID X 16mm OD X 1mm THICK |
| 24   | 1   | G3215886      | HARNES WIRE, CLEANING, 10-10   |
| 23   | 1   | 14897         | LABEL, GROUND  |
| 22   | 2   | C8019109      | LABEL, RED, CONNOCLEAN CLEANER HOSE  |
| 21   | 2   | C8019111      | LABEL, BLUE, CONNOCARE CLEANER HOSE  |
| 20   | 2   | C8015247      | FITTING, BULKHEAD, HOSE, 6mm ID  |
| 19   | 1   | C701230245900 | HOSE, EPDM, 6mm ID X 10mm OD, 45,500' LONG   |
| 18   | 1   | C701230201250 | HOSE, EPDM, 6mm ID X 10mm OD, 1-1/4' LONG  |
| 17   | 1   | C701230239900 | HOSE, EPDM, 6mm ID X 10mm OD, 39,500' LONG   |
| 16   | 1   | C8014001      | MANIFOLD SUCTION, CLEANING PUMPS, EPDM   |
| 15   | 1   | 106926        | CLAMP, HOSE, WORM DRIVE, 3/8 TO 5/8x3/16V, SST                                     |
| 14   | 1   | C700204423500 | HOSE, PROTECTION, 28mm OD X 23mm ID, CUT 23-1/2' LONG                              |
| 13   | 1   | C701230299000 | HOSE, EPDM, 6mm ID X 10mm OD, 59,000' LONG   |
| 12   | 3   | C8005414      | FITTING, HOSE, 90 DEGREE ELBOW, 6mm BARB X 6mm BARB, PLASTIC (POM)                 |
| 11   | 1   | C8014000      | MANIFOLD DISCHARGE, CLEANING PUMPS, EPDM   |
| 10   | 1   | C8019010      | CLAMP, HOSE, SPRING, DOUBLE WIRE, 1/4-1-1/8 mm (0.355-0.583 in)                    |
| 9    | 14  | C8009068      | CLAMP, HOSE, SPRING, DOUBLE WIRE, 5/16-9/16 mm (0.358-0.378 in)                    |
| 8    | AIR | 111568        | THREAD SEALANT (LOCTITE 577)   |
| 7    | 1   | C8015229      | BUSHING, THREADED, PRESSURE SWITCH P3  |
| 6    | 1   | C8005016      | GASKET, FLAT, 1.88mm OD X 10.3mm ID X 2mm THICK                                    |
| 5    | 1   | C3009055      | SWITCH, PRESSURE, AUTO CLEANING SYSTEM, P3   |
| 4    | AIR | C7004004      | THREAD SEALANT, COBD, (LOCTITE 55)   |
| 3    | 3   | C6005416      | FITTING, HOSE, 90° ELBOW, 6mm BARB X R1/8 MPF, PLASTIC (POLYAMIDE 6)               |
| 2    | 3   | C3008011      | PUMP, OSCILLATING PISTON, 208-240VAC, 50-60Hz P3                                   |
| 1    | 1   | C2114823      | WELDMENT, PUMP HOUSING, 110V/P3  |



# ASSEMBLY, WATER HOSE SYSTEM, CONDENSER

ALL ELECTRIC 6.20 MODELS

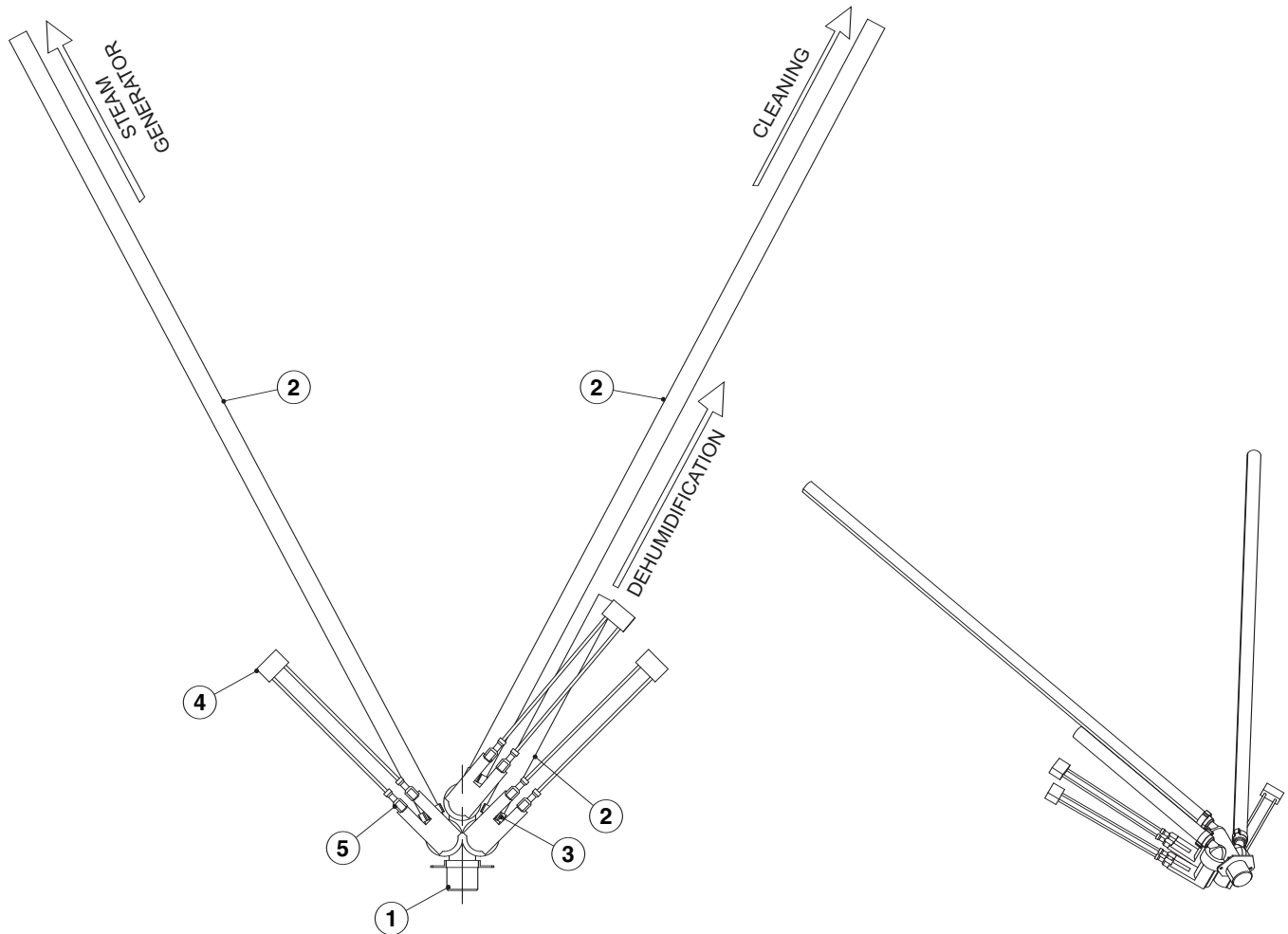
Connector Flange C5011003



| ITEM | QTY | PART NO.    | DESCRIPTION                            |
|------|-----|-------------|--|
| 1    | 1   | C6015215    | ELBOW, HOSE CONNECTION, 3/8" WITH SEAL |
| 2    | 2   | 111647      | CLAMP, OETIKER, S/S, 19/32"            |
| 3    | 1   | 11149811000 | HOSE, SILICONE, 3/8" ID X 11.000       |
| 4    | 1   | 300362      | VALVE ASSEMBLY, 1 WAY, 240 VAC         |
| 5    | 1   | 300407      | FILTER, ELECTRICAL                     |
| 6    | 2   | 300509      | TERMINAL, 18-22 AWG PIGGY BACK         |

# ASSEMBLY, WATER VALVE, W/CLEANING SYSTEM

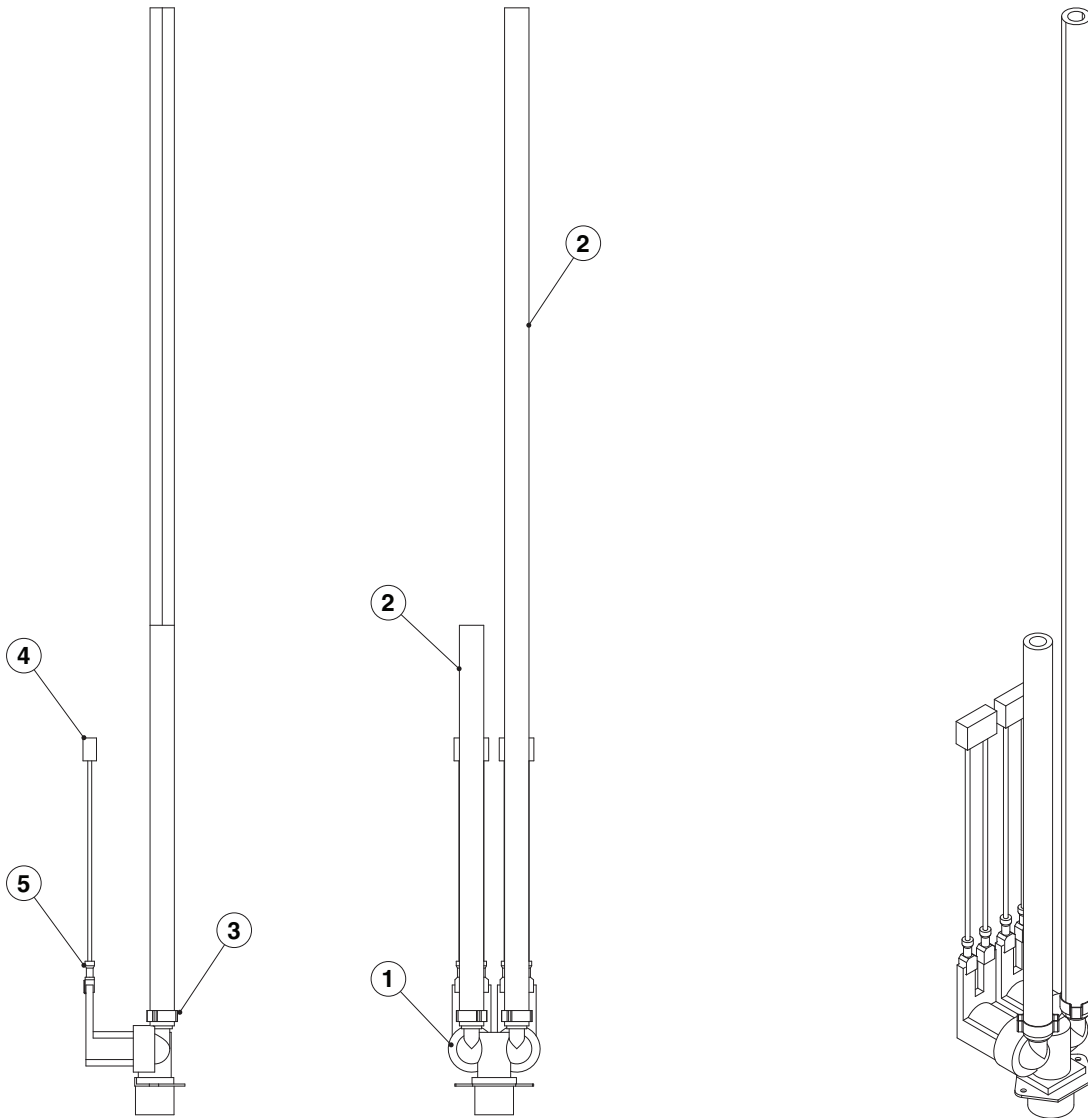
OEB 10.10 MODELS



| ITEM | QTY | PART NO. | DESCRIPTION                              |
|------|-----|----------|--|
| 1    | 1   | 300453   | VALVE ASSEMBLY, 3WAY 240VAC              |
| 2    | 3   | 111498   | HOSE, SILICONE, 3/8" ID (SPECIFY LENGHT) |
| 3    | 3   | 111647   | CLAMP, OETIKER, S/S, 19/32"              |
| 4    | 3   | 300407   | FILTER, ELECTRICAL                       |
| 5    | 6   | 300509   | TERMINAL, 18-22 AWG PIGGY BACK           |

# ASSEMBLY, WATER VALVE

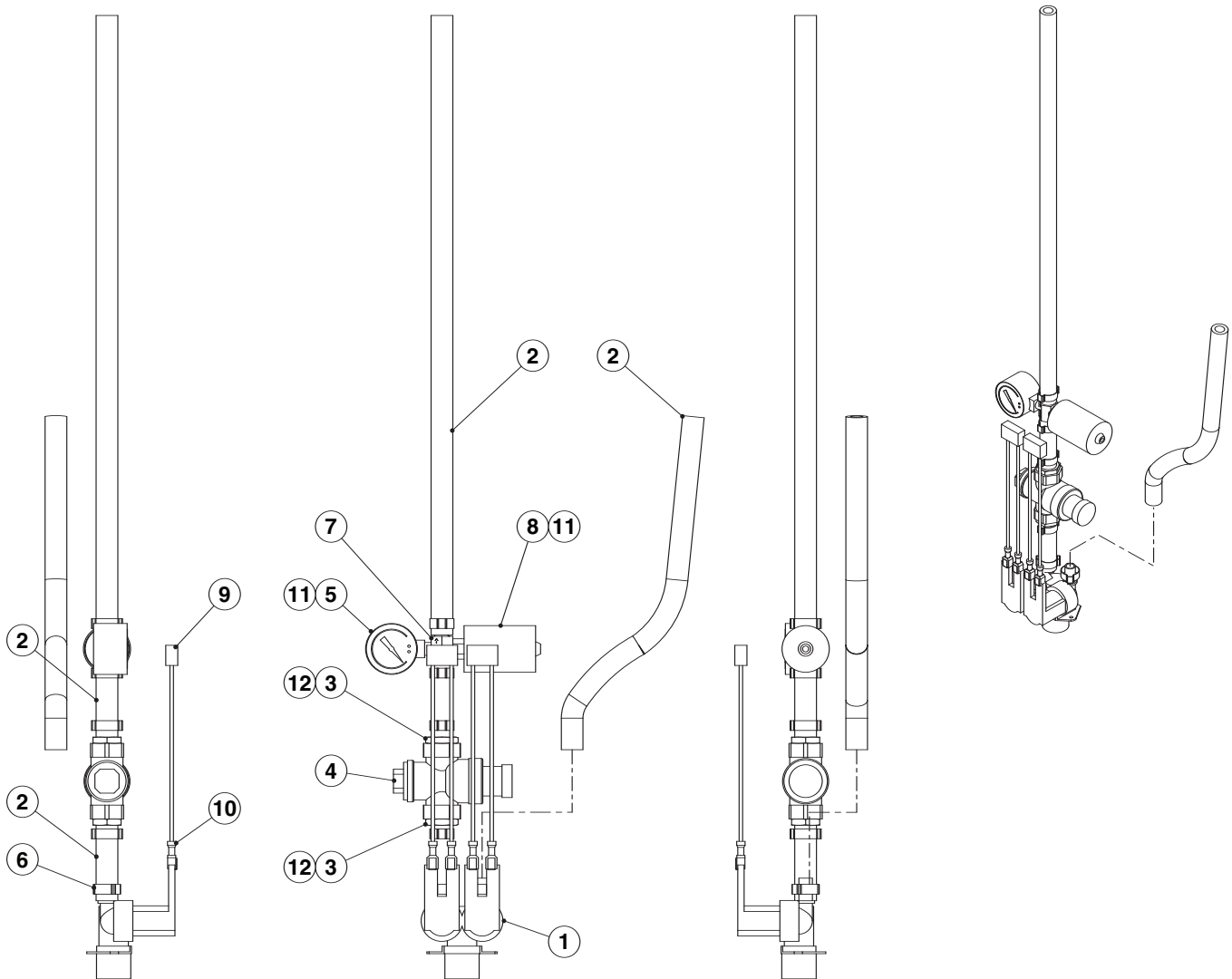
ALL ELECTRIC 6.20 & 10.10 MODELS



| ITEM | QTY | PART NO. | DESCRIPTION                              |
|------|-----|----------|--|
| 1    | 1   | 300457   | VALVE ASSY. 2 WAY 240VAC                 |
| 2    | 2   | 111498   | HOSE, SILICONE, 3/8" ID (SPECIFY LENGTH) |
| 3    | 2   | 111647   | CLAMP, OETIKER, S/S, 19/32"              |
| 4    | 2   | 300407   | FILTER, ELECTRICAL                       |
| 5    | 4   | 300509   | TERMINAL, 18-22 AWG PIGGY BACK           |

# ASSEMBLY, WATER VALVE, INJECTOR, ELECTRIC

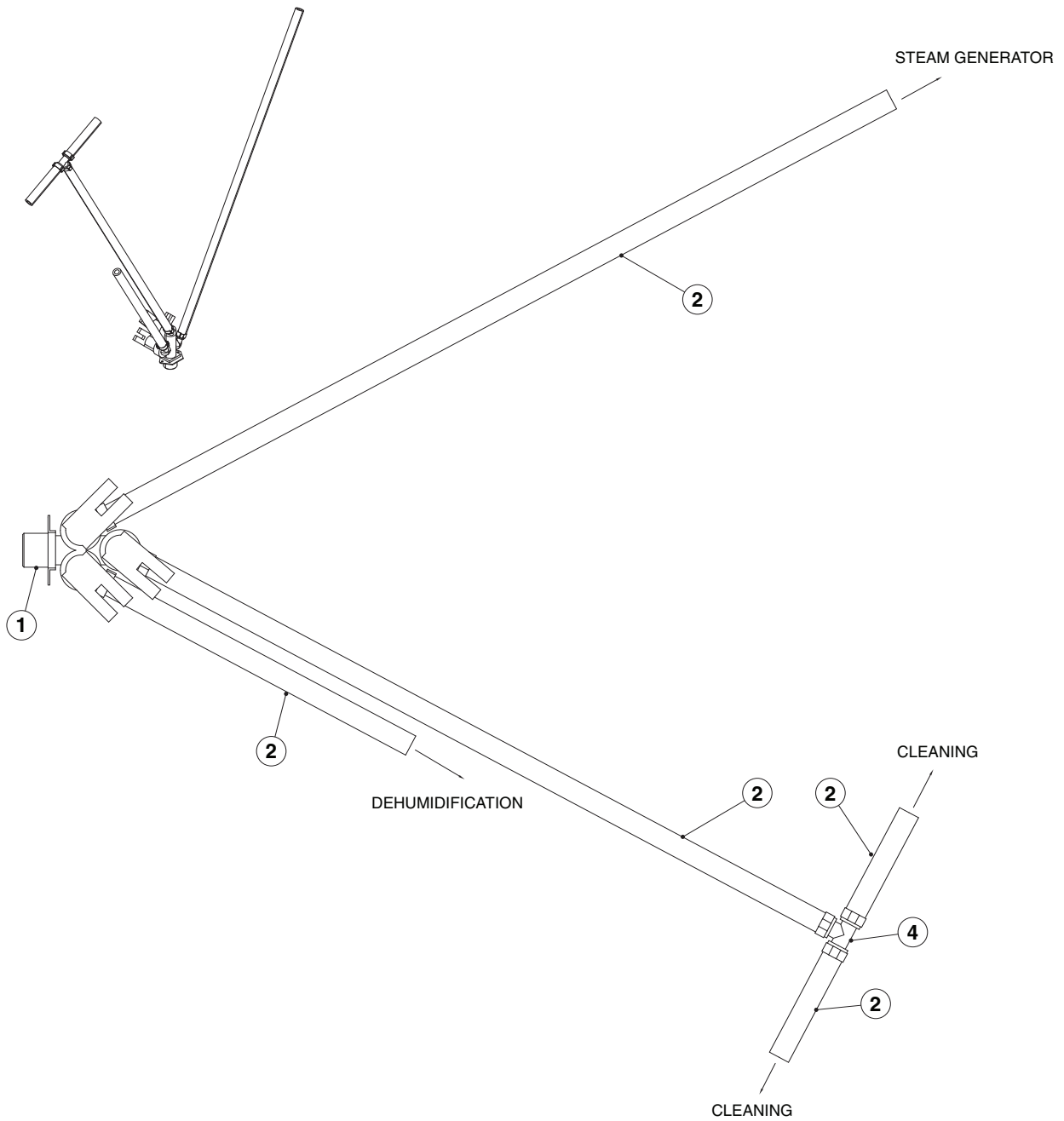
## OES 6.20 & 10.10 MODELS



| ITEM | QTY | PART NO. | DESCRIPTION                                    |
|------|-----|----------|--|
| 1    | 1   | 300457   | VALVE ASSY. 2 WAY 240VAC                       |
| 2    | 4   | 111498   | HOSE, SILICONE, 3/8" ID (SPECIFY LENGTH)       |
| 3    | 2   | C6015401 | BARB, 1/2 R X 3/8 HOSE                         |
| 4    | 1   | C5001085 | PRESSURE REGULATING VALVE OD GAS               |
| 5    | 1   | C6006140 | GAUGE, 60 PSI BOTTOM MOUNT                     |
| 6    | 6   | 111647   | CLAMP, OETIKER, S/S, 19/32"                    |
| 7    | 1   | C6015232 | CONNECTION NOZZLE 0.6MM 6.20/10.10/10.20       |
| 8    | 1   | C5009063 | PUSH BUTTON SWITCH, INJ, (CHANGE-OVER CONTACT) |
| 9    | 2   | 300407   | FILTER, ELECTRICAL                             |
| 10   | 4   | 300509   | TERMINAL, 18-22 AWG PIGGY BACK                 |
| 11   | A/R | 00946    | TAPE, TEFLON, 1/2"                             |
| 12   | A/R | 111651   | SEALANT, LOCTITE, WHITE, DRI-SEAL 513          |

# ASSEMBLY, WATER SUPPLY, GENERATOR W/CLEANING SYSTEM

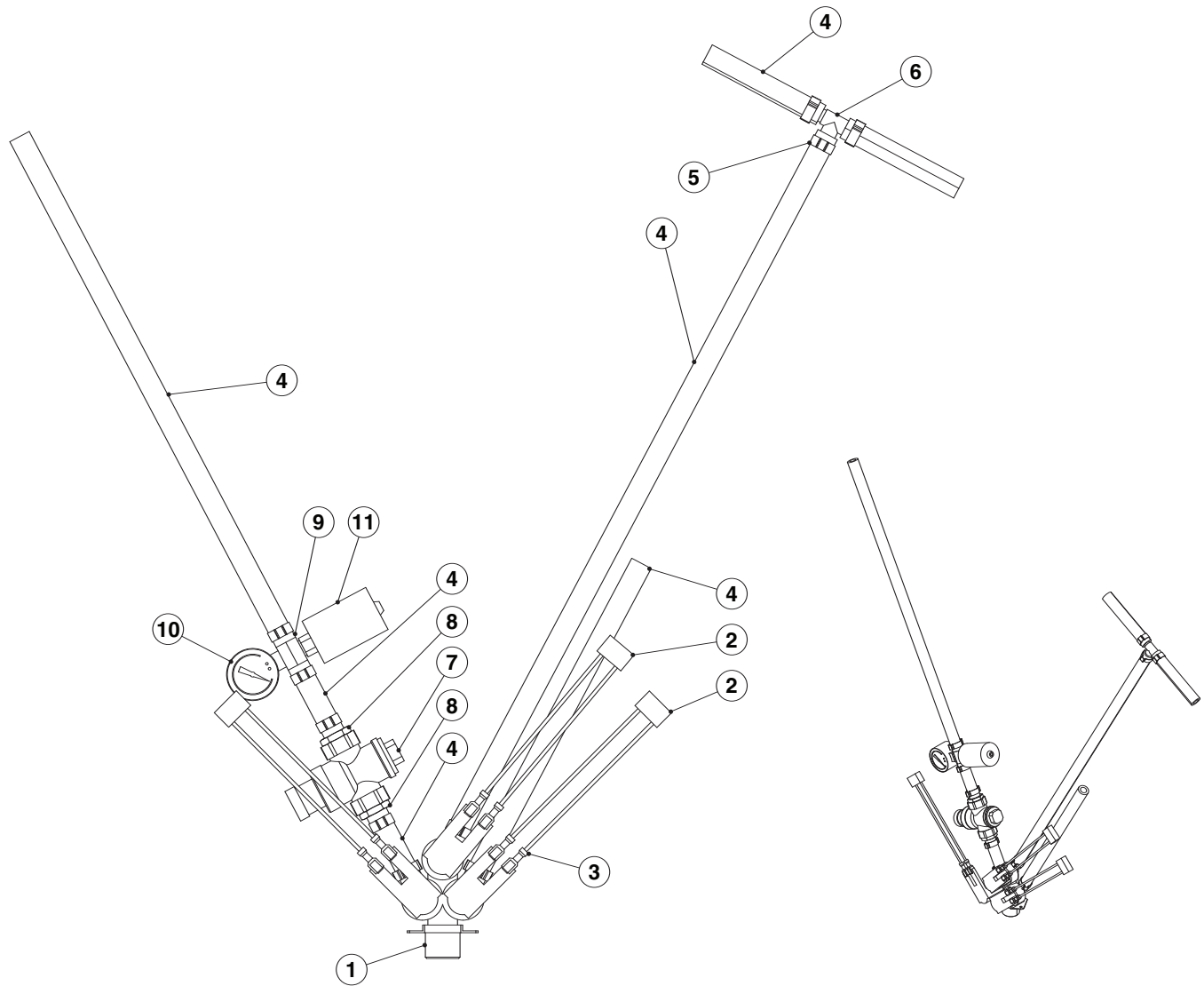
OEB & OGB 6.20 MODELS



| ITEM | QTY | PART NO. | DESCRIPTION                                  |
|------|-----|----------|--|
| 1    | 1   | 300453   | VALVE ASSEMBLY, 3WAY 240VAC                  |
|      |     | 300363   | TRIPLE SOLENOID VALVE 110-120V 50/60 Hz 180° |
| 2    | 5   | 111498   | HOSE, SILICONE, 3/8" ID (SPECIFY LENGTH)     |
| 3    | 6   | 111647   | CLAMP, OETIKER, S/S, 19/32"                  |
| 4    | 1   | 111646   | TEE, BRASS, 3/8" BRASS                       |

# ASSEMBLY, WATER VALVE

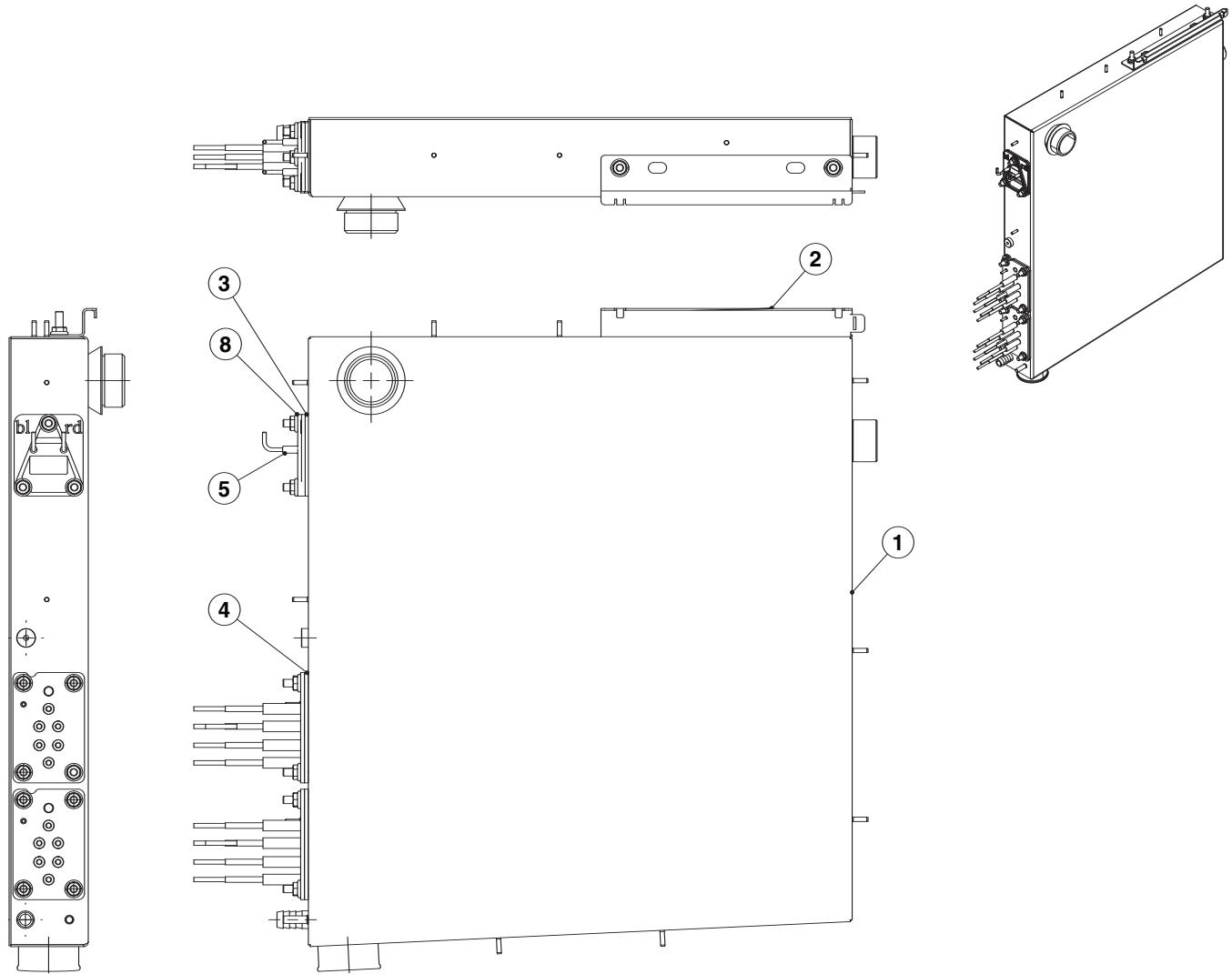
OES 6.20 MODELS



| ITEM | QTY | PART NO. | DESCRIPTION                                    |
|------|-----|----------|--|
| 1    | 1   | 300453   | VALVE ASSEMBLY, 3 WAY 240VAC (OES 6.20)        |
| 2    | 3   | 300407   | FILTER, ELECTRICAL                             |
| 3    | 6   | 300509   | TERMINAL, 18-22 AWG PIGGY BACK                 |
| 4    | 5   | 111498   | HOSE, SILICONE, 3/8" ID (SPECIFY LENGTH)       |
| 5    | 10  | 111647   | CLAMP, OETIKER, S/S, 19/32"                    |
| 6    | 1   | 111646   | TEE, BRASS, 3/8" BRASS                         |
| 7    | 1   | C5001085 | PRESSURE REGULATING VALVE ODGAS                |
| 8    | 2   | C6015401 | BARB, 1/2 R X 3/8 HOSE                         |
| 9    | 1   | C6015232 | CONNECTION NOZZLE 0.6MM 6.20/10.10/10.20       |
| 10   | 1   | C6006140 | GAUGE, 60 PSI BOTTOM MOUNT                     |
| 11   | 1   | C5009063 | PUSH BUTTON SWITCH, INJ, (CHANGE-OVER CONTACT) |

# ASSEMBLY, STEAM GENERATOR, ELECTRIC, HEATER SELECTION

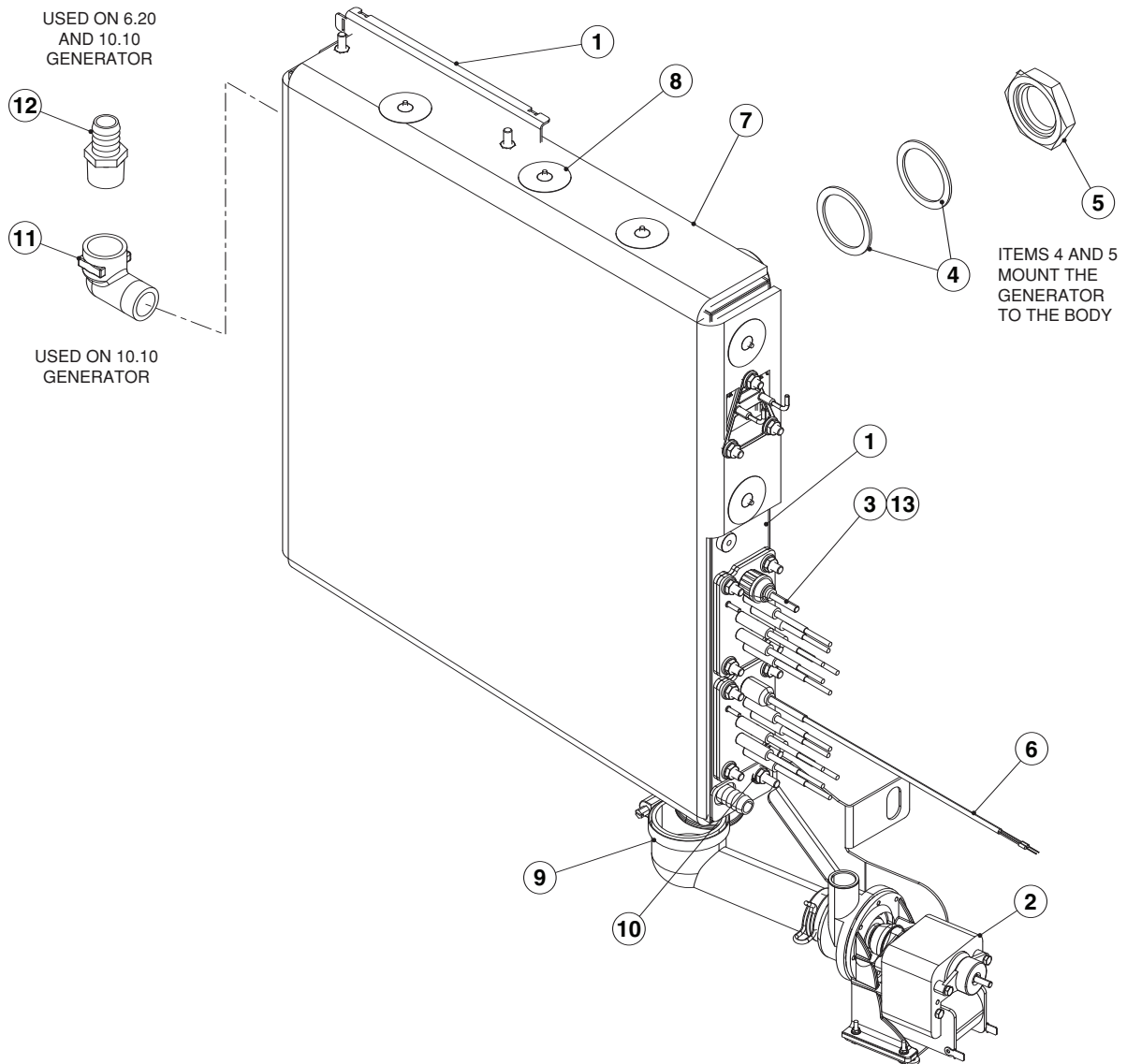
OEB 6.20 & OEB-10.10 MODELS



| ITEM | QTY | PART NO. | DESCRIPTION                              |
|------|-----|----------|--|
| 1    | 1   | C2314217 | WELDMENT, GEN, ELEC 6.20/10.10           |
| 2    | 1   | C2314243 | SUPPORT, STEAM GEN, TABLE TOP UNIT       |
| 3    | 1   | C6015040 | FLAT GASKET FOR DOUBLE-LEVEL PROBE       |
| 4    | 2   | C6015023 | FLAT GASKET FOR IMMERSION HEATER         |
| 5    | 1   | C5019003 | ASSEMBLY, DOUBLE LEVEL PROBE             |
| 6    | 1   | C5017012 | ASSEMBLY, IMMERSION HEATER, 6.3 KW, 230V |
| 7    | 1   | C5017013 | ASSEMBLY, IMMERSION HEATER, 9.4 KW, 230V |
| 8    | 13  | C8017011 | NUT, FLANGE, HEX                         |

# ASSEMBLY, STEAM GENERATOR, ELECTRIC

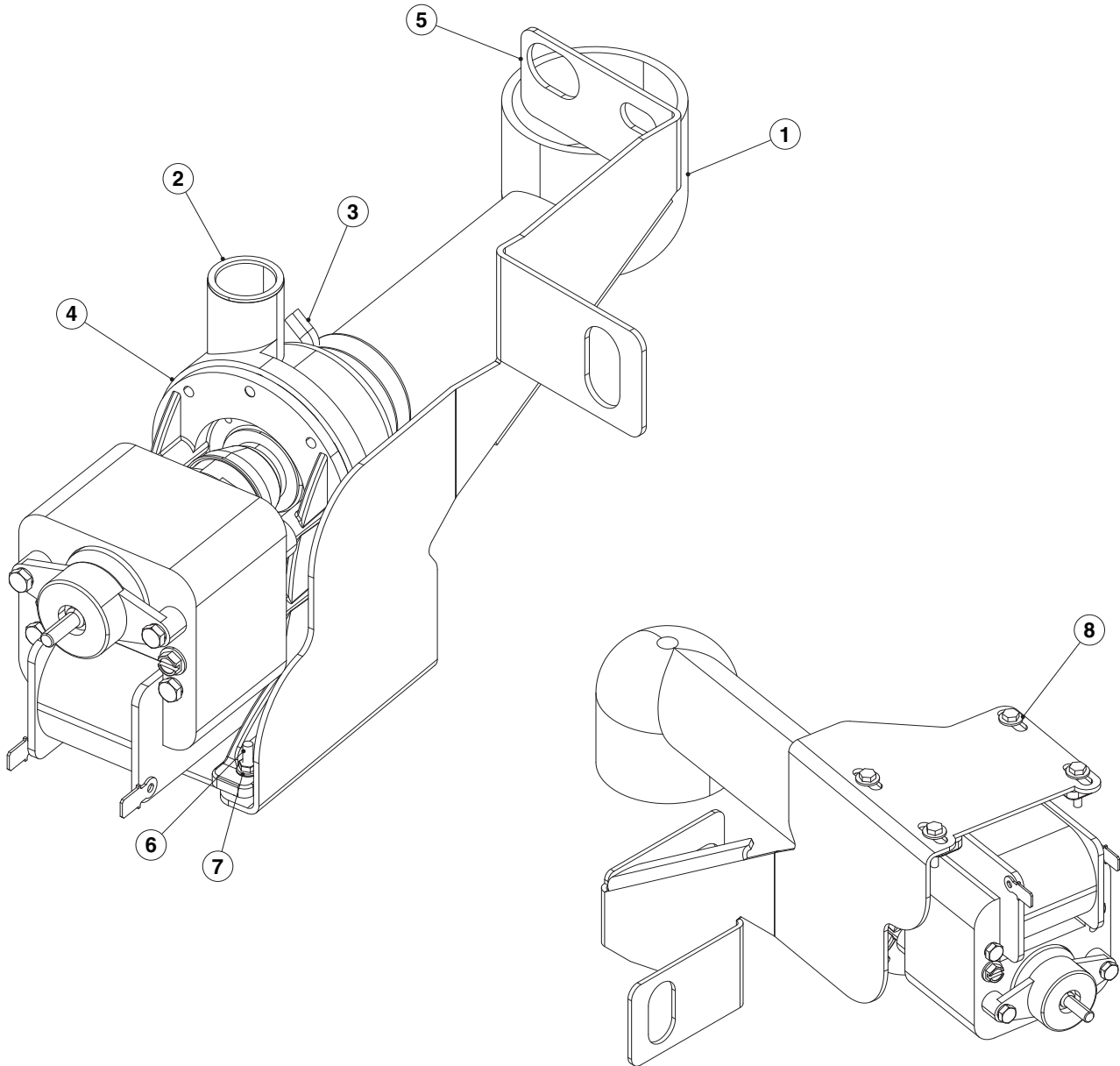
OEB 6.20 & OEB-10.10 MODELS



| ITEM | QTY | PART NO.       | DESCRIPTION   |
|------|-----|----------------|---|
| 1    | 1   | C2314207       | ASSEMBLY INSTRUCTION, STM GEN, ELEC, HEATER SELECTION, 6.20/10.10 |
| 2    | 1   | C2314247       | PUMP, STEAM GEN, EL, 240V PREASSEMBLED, 6.20/10.10                |
| 3    | 1   | C5016006       | THERMOCOUPLE, SENSOR, OSC/OSP, 64.960" (1650MM)                   |
| 4    | 2   | C6005025       | FLAT GASKET, 1.673 x 2.126 x 0.079 in.                            |
| 5    | 1   | C6006092       | HEXAGON NUT R 1 1/4"  |
| 6    | 1   | C5016004       | STB THERMO COUPLE SENSORS CABLE LENGTH 1650 mm                    |
| 7    | 1   | C7013155       | INSULATION, OUTSIDE, STEAM GEN, ELEC, 10.10                       |
| 8    | 10  | 101953         | CLIP, INSULATION RETAINER, 1-1/2, .105 HOLE, GALV.                |
| 9    | 1   | C6006089       | HOSE CLAMP, 40-60 MM  |
| 10   | 1   | C8017011       | NUT, FLANGE, HEX  |
| 11   | 1   | 05231          | ELBOW, STREET 90 X 3/4 NPT, BRASS                                 |
| 12   | 1   | 06240 FTG,     | HOSE BARB, 3/4 X 3/4 MPT  |
| 13   | 1   | C6005260 SEAL, | THERMOCOUPLE SENSOR, OSC/OSP                                      |
| 14   | A/R | 00934          | SEALANT, PIPE DOPE  |
| 15   | 1   | 0851019000     | HOSE, WHITE, EPDM, 1" X 19" (NOT SHOWN - 6.20)                    |
| 16   | 1   | 08510800       | HOSE, WHITE, EPDM, 1" X 18" (NOT SHOWN - 10.10)                   |
| 17   | 1   | 107481         | CLAMP, HOSE, DOUBLE WIRE, 1.500 NOM HOSE DIA (NOT SHOWN)          |

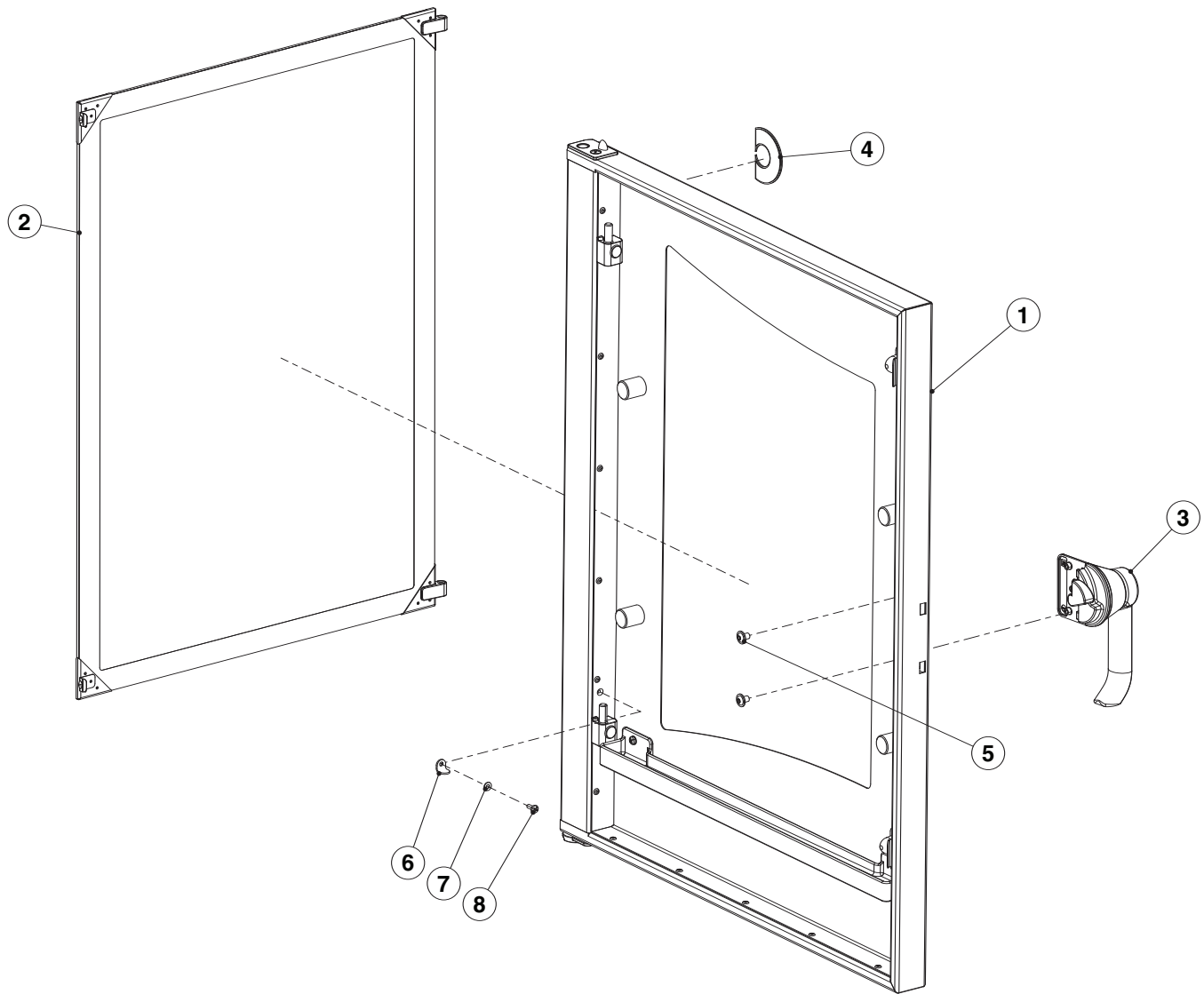


**PUMP, STEAM GENERATOR, ELECTRIC, 240V PREASSEMBLED**  
*OEB 6.20 & OEB-10.10 MODELS*



| ITEM | QTY | PART NO. | DESCRIPTION                                 |
|------|-----|----------|---|
| 1    | 1   | C6015101 | DRAIN ELBOW FOR STEAM GENERATOR             |
| 2    | 1   | C6005299 | SUPPORT BUSHING, STEAM GENERATOR - PUMP     |
| 3    | 1   | C8009057 | WIRE CLAMP D: 36, BLACK                     |
| 4    | 1   | 300507   | DRAIN PUMP, 230 V                           |
| 5    | 1   | 111629   | PUMP BRACKET, GEN, ELEC                     |
| 6    | 4   | 111633   | SCREW, HEX HD, M3 x 16, SST, FULLY THREADED |
| 7    | 4   | C8017008 | NUT, LOCKING, SERRATED                      |
| 8    | 4   | C8005015 | WASHER 3.2 A2 DIN 9021                      |

**DOOR 6.20 COMPLETE**  
*OES 6.20 & 10.10 MODELS*



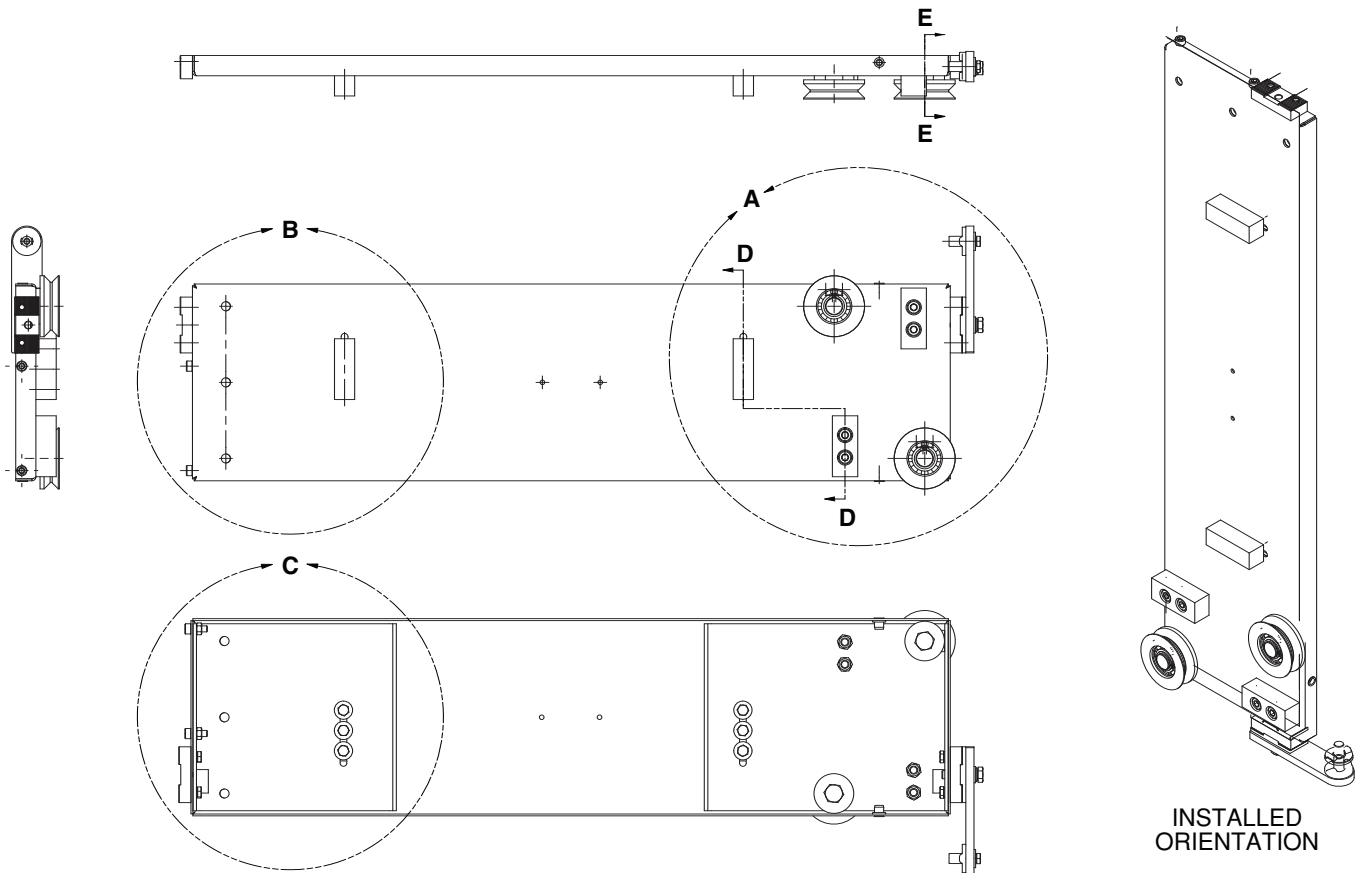
Spring clip C6015248

| ITEM | QTY | PART NO. | DESCRIPTION                        |
|------|-----|----------|------------------------------------|
| 1    | 1   | C2514358 | ASSEMBLY, OUTER DOOR, 6.20         |
|      | 1   | C2514359 | ASSEMBLY, OUTER DOOR, 10.10        |
| 2    | 1   | C2514389 | ASSEMBLY, INNER DOOR, 6.20         |
|      | 1   | C2514390 | ASSEMBLY, INNER DOOR, 10.10        |
| 3    | 1   | C6012000 | DOOR HANDLE, LOCKING               |
| 4    | 1   | C6009016 | PLASTIC LETTER "C" RED             |
| 5    | 2   | C8015000 | MLF SCREW M6X8                     |
| 6    | 1   | C2514430 | UNHINGING SAFEGUARD, DOOR          |
| 7    | 1   | C8001024 | SCREW, FILISTER HD, M4x10 DIN 7985 |
| 8    | 1   | C8005021 | WASHER, 4.3, DIN 125               |
| 9    | A/R | C7004012 | LOCTITE 243 (NOT SHOWN)            |
| 10   | A/R | C7003087 | GREASE FRONT DOORS OD              |

# SLIDING PLATE, COMPLETE

ALL 6.20, 10.10 MODELS & 20.20 MODELS

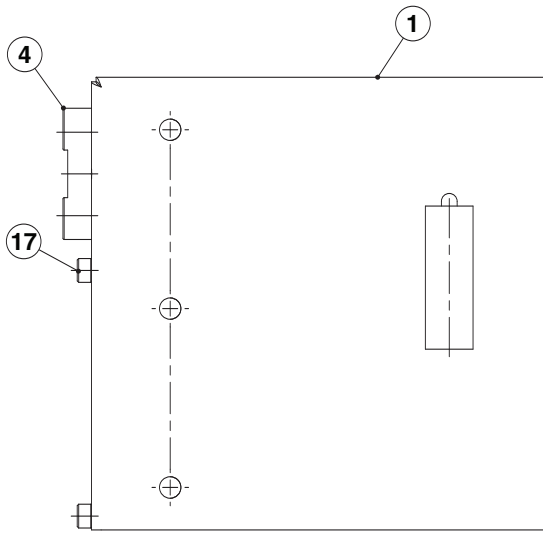
## Upper Hinge C2013006



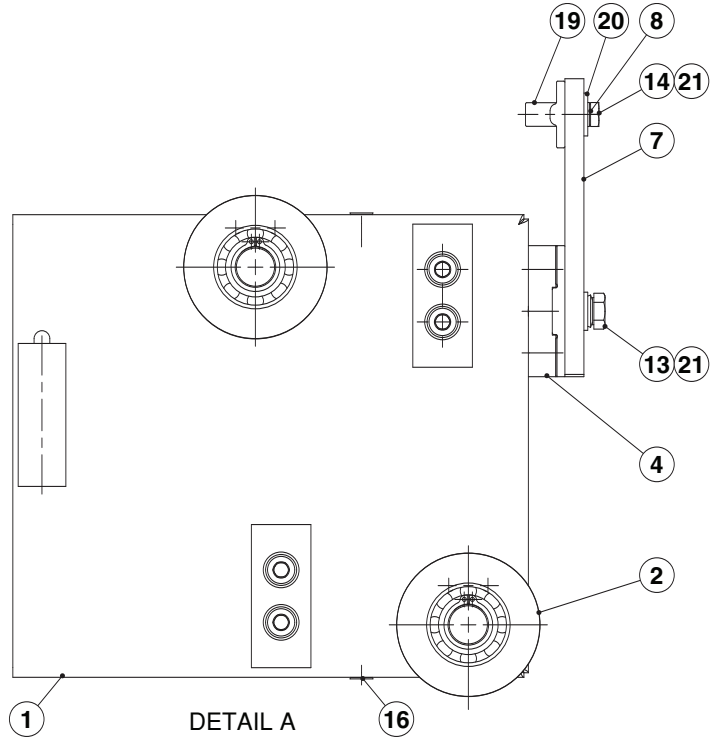
| ITEM | QTY | PART NO. | DESCRIPTION                               |
|------|-----|----------|---|
| 1    | 1   | C2614806 | CARRIAGE PLATE, WELDED, 6.20              |
|      |     | C2614807 | CARRIAGE PLATE, WELDED, 10.10 & 10.20     |
|      |     | C2614809 | CARRIAGE PLATE, WELDED, 20.10 & 20.20     |
| 2    | 2   | C6012002 | ASSEMBLED, GUIDE ROLLER RST CPL           |
| 3    | 2   | C6012005 | DISC $\varnothing$ 39 x 6 RST             |
| 4    | 2   | C2014008 | LOCKING BLOCK, CARRIAGE PLATE             |
| 5    | 2   | C6015226 | LOCKING BLOCK RST                         |
| 6    | 2   | C6012006 | DOOR STOP, RST                            |
| 7    | 1   | C2013004 | HINGE, LOWER, WELDMENT, DOOR              |
| 8    | 11  | C8006057 | SCHNORR LOCK WASHER                       |
| 9    | 2   | C8006063 | SCHNORR-LOCK WASHER                       |
| 10   | 5   | C8006060 | SCHNORR LOCK WASHER                       |
| 11   | 4   | C8004057 | NUT, HEX                                  |
| 12   | 1   | C8005050 | WASHER, 8.4 A2 DIN 125                    |
| 13   | 1   | C8003058 | HEXAGON BOLT, M8 X 35                     |
| 14   | 11  | C8003043 | HEXAGON BOLT M6x16                        |
| 15   | 4   | C8013002 | FILLISTER HEAD SCREW DIN 912 - M8X25      |
| 16   | 2   | C8008095 | BLIND RIVET NUT M6 ROUND                  |
| 17   | 2   | C8001073 | HEXAGON SOCKET SCREW M6x16                |
| 18   | 2   | C8004040 | HEXAGON NUT                               |
| 19   | 1   | C2014004 | LOCKING PLATE, CARRIAGE, LOWER PART       |
| 20   | 7   | C8005041 | WASHER 6.4 A2 DIN 9021                    |
| 21   | A/R | C7004014 | LOCTITE 638                               |
| 22   | 2   | C8003066 | BOLT, HEX HD, M10x30, 6.20, 10.10 & 10.20 |
|      |     | C8013000 | BOLT, HEX HD, M10x25, 20.10 & 20.20       |

# SLIDING PLATE, COMPLETE

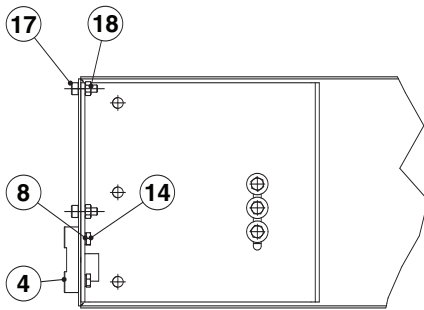
ALL 6.20, 10.10 MODELS & 20.20 MODELS



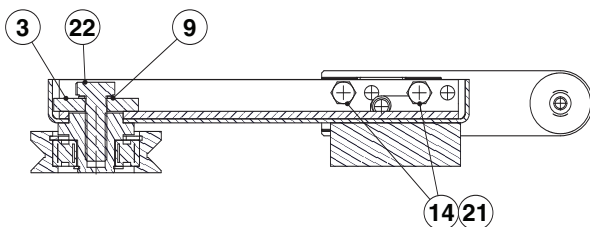
DETAIL B



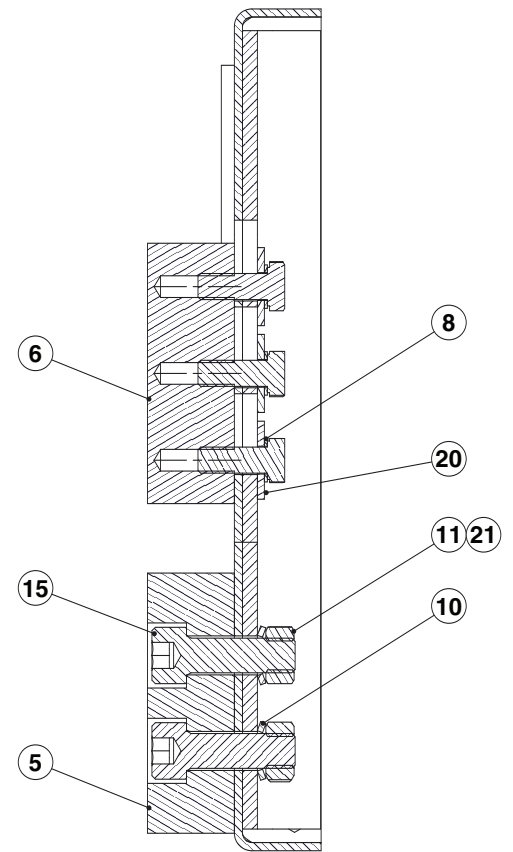
DETAIL A



DETAIL C



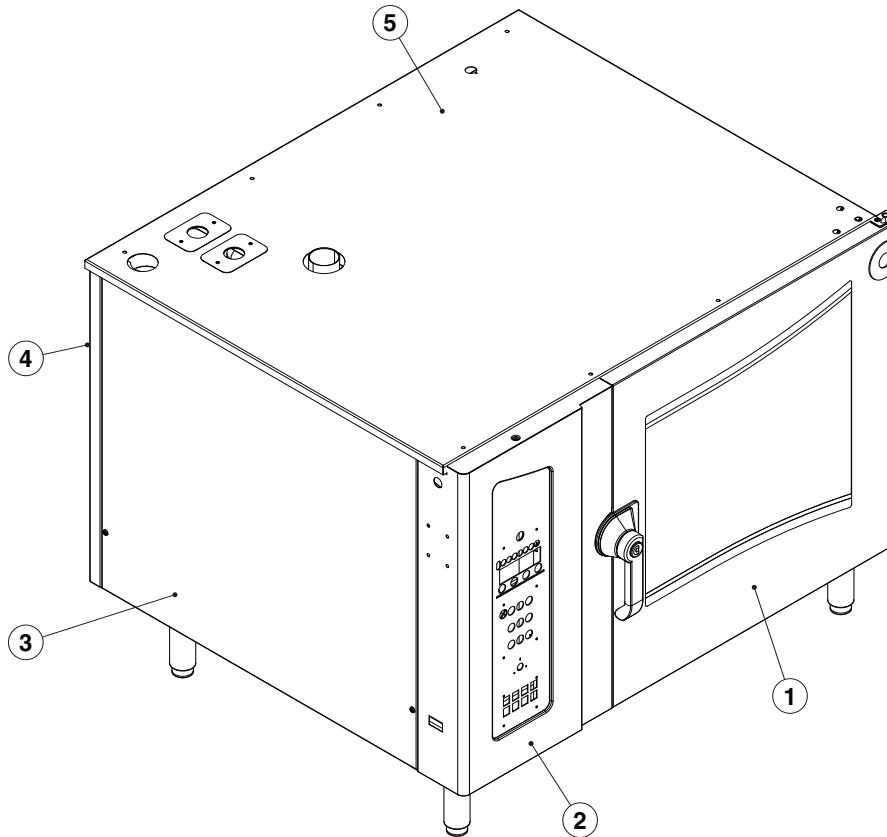
SECTION E-E



SECTION D-D

# EXTERIOR SHEETING

ALL 6.20 & 10.10 MODELS



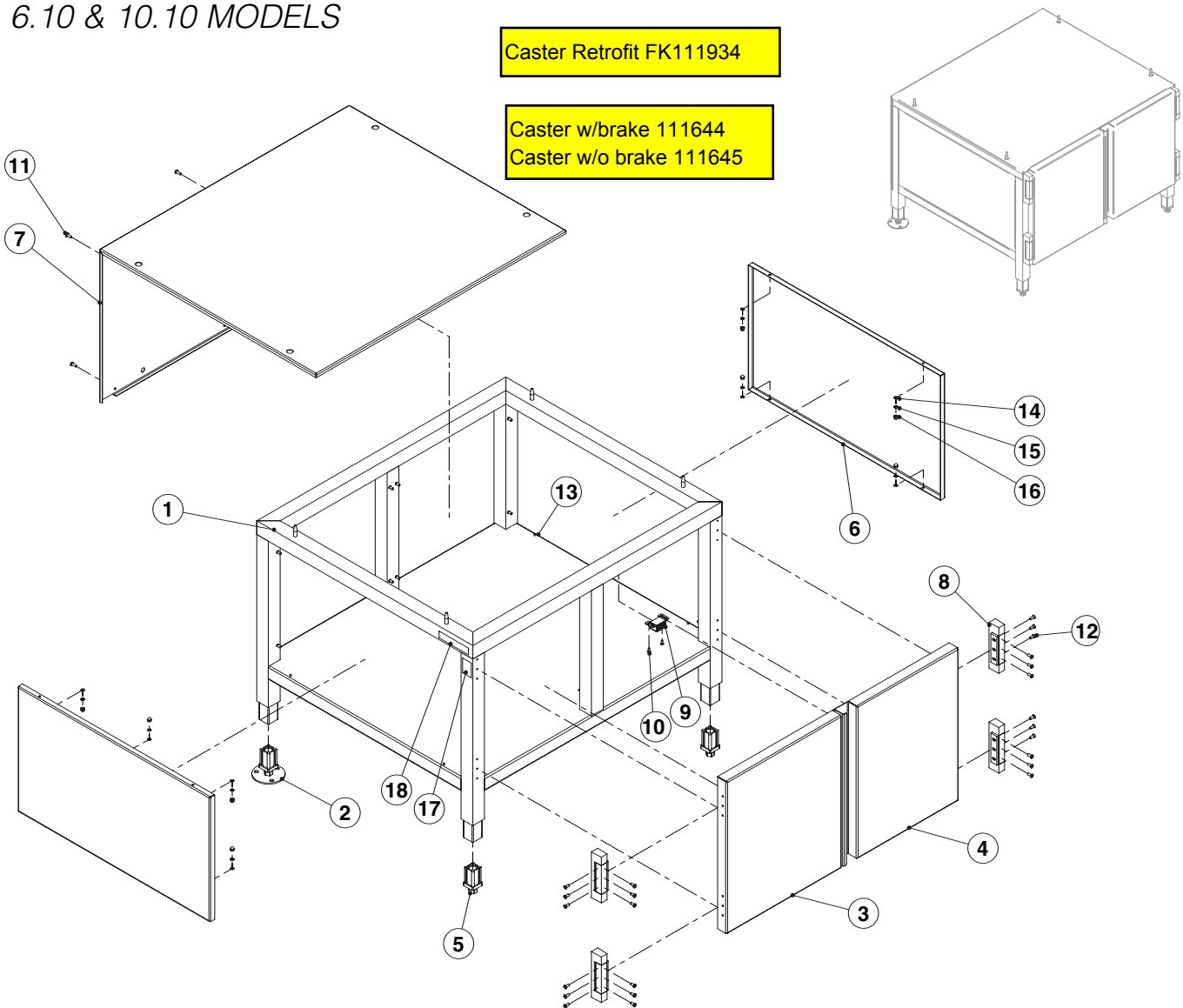
| ITEM | QTY | PART NO. | DESCRIPTION  |
|------|-----|----------|--|
| 1    | 1   | C2514351 | DOOR, 6.20, COMPLETE   |
| -    | 1   | C2514352 | DOOR, 10.10, COMPLETE  |
| 2    | 1   | C2114652 | WELDMENT, CORNER, FRONT LEFT, 6.20                           |
| -    | 1   | C2114653 | WELDMENT, CORNER, FRONT LEFT, 10.10                          |
| 3    | 1   | C2114782 | PANEL ASSY, LEFT, OGB 6.20, OGS 6.20, OEB 6.20, OES 6.20     |
| -    | 1   | C2114783 | PANEL ASSY, LEFT, OGB 10.10, OGS 10.10, OEB 10.10, OES 10.10 |
| 4    | 1   | C2114762 | PANEL ASSY, REAR, OGB 6.20                                   |
| -    | 1   | C2114742 | PANEL ASSY, REAR, OGS 6.20, OEB 6.20, OES 6.20               |
| -    | 1   | C2114763 | PANEL ASSY, REAR, OGB 10.10                                  |
| -    | 1   | C2114743 | PANEL ASSY, REAR, OGS 10.10, OEB 10.10, OES 10.10            |
| 5    | 1   | C2115462 | PANEL, TOP, OGB 6.20   |
| -    | 1   | C2115452 | PANEL, TOP, OGS 6.20   |
| -    | 1   | C2114702 | PANEL, TOP, OEB 6.20   |
| -    | 1   | 111628   | PANEL, TOP, OES 6.20   |
| -    | 1   | C2115463 | PANEL, TOP, OGB 10.10  |
| -    | 1   | C2115453 | PANEL, TOP, OGS 10.10  |
| -    | 1   | C2114700 | PANEL, TOP, OEB 10.10  |
| -    | 1   | 111638   | PANEL, TOP, OES 10.10  |

# STAND, ASSEMBLY, CLOSED BASE

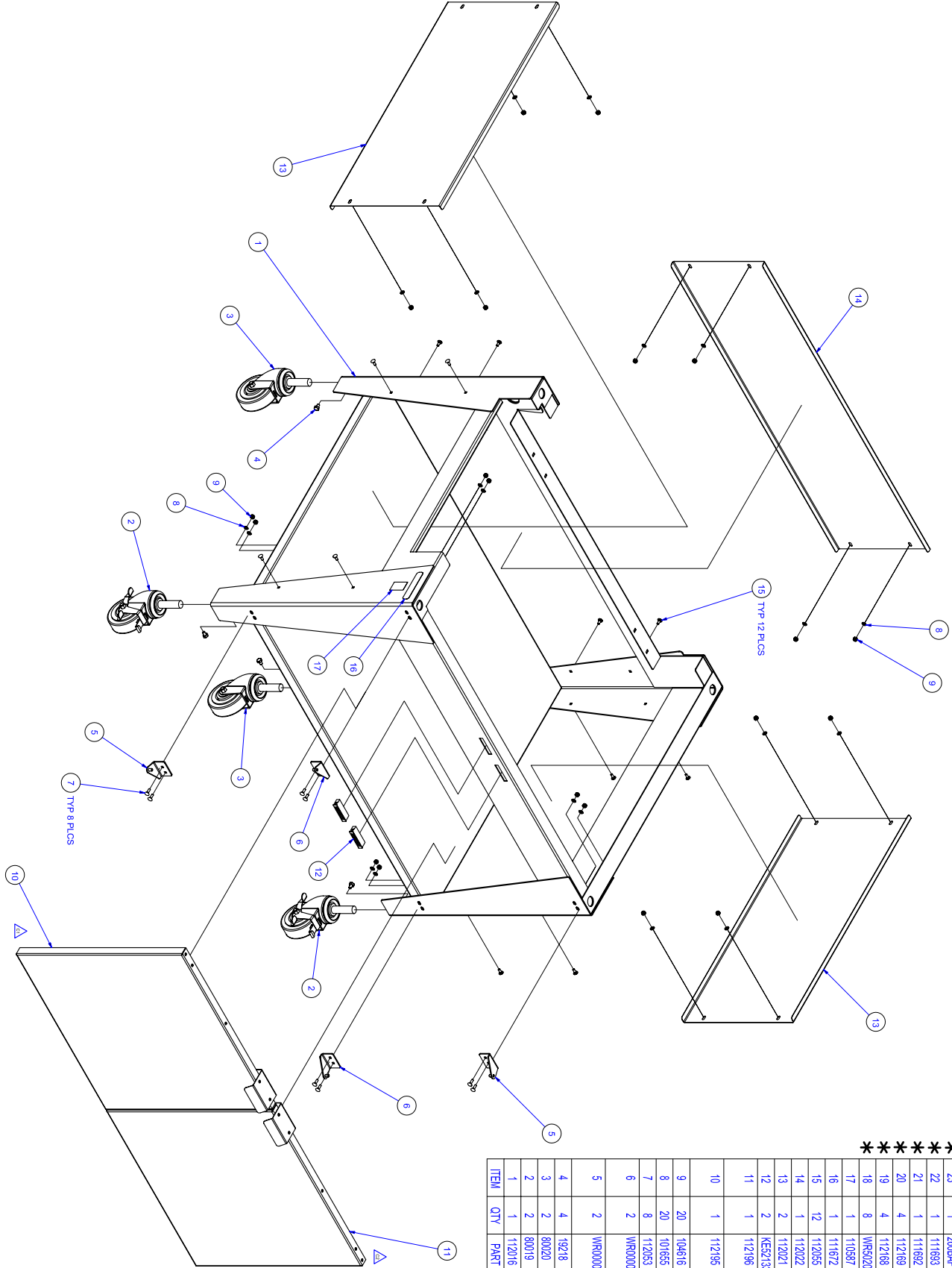
6.10 & 10.10 MODELS

Caster Retrofit FK111934

Caster w/brake 111644  
Caster w/o brake 111645

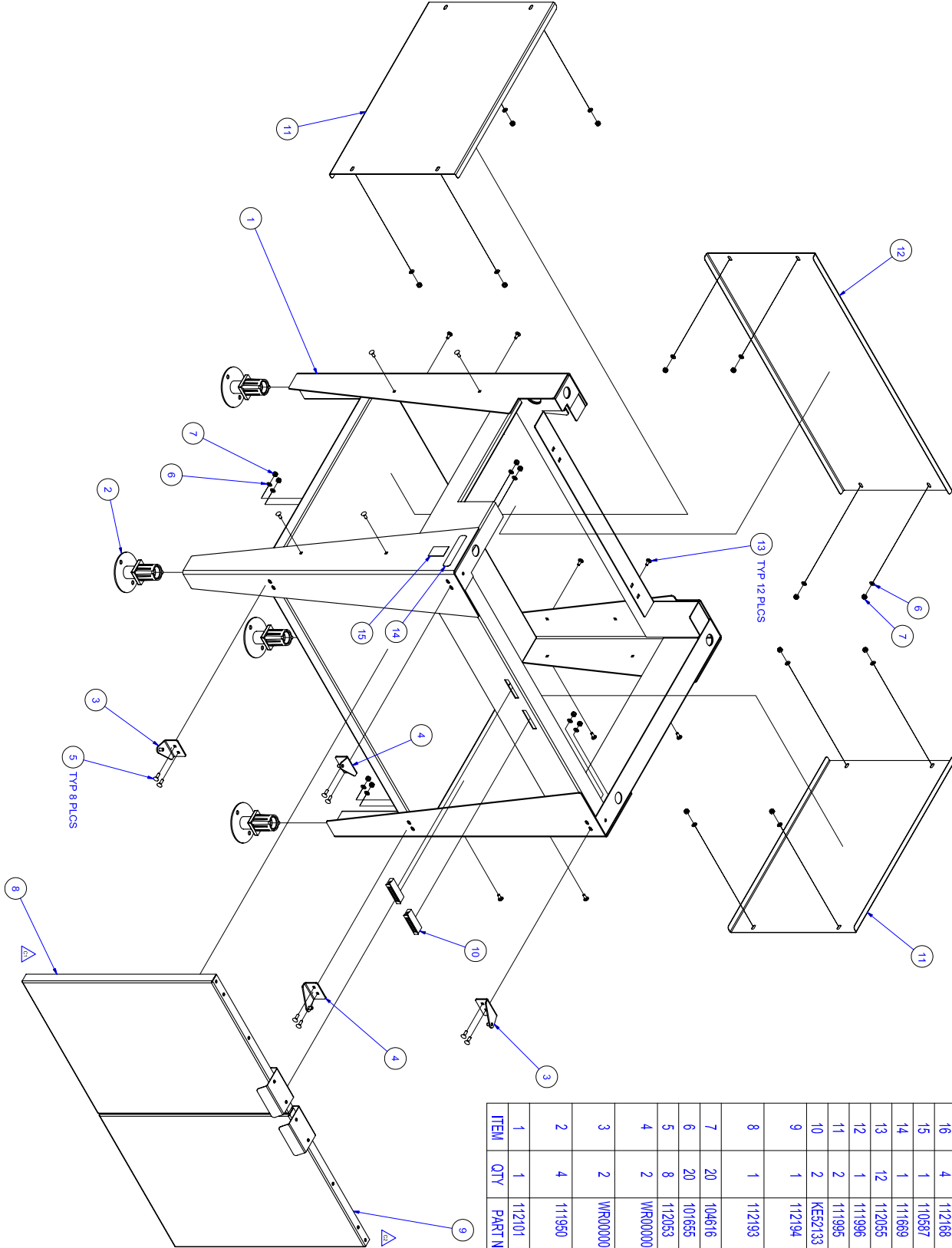


| ITEM | QTY | PART NO. | DESCRIPTION   |
|------|-----|----------|---|
| 1    | 1   | C3216201 | WELDMENT, STAND, COMBI, 6.10/10.10                                |
| 2    | 2   | 100413   | FOOT ASS'Y, ADJUSTABLE (FOR 1.250 SQ. TUBING), ANCHORABLE TIEDOWN |
| 3    | 1   | C3216245 | WELDMENT, STAND DOOR, 6.10/10.10, LEFT SIDE                       |
| 4    | 1   | C3216249 | WELDMENT, STAND DOOR, 6.10/10.10, RIGHT SIDE                      |
| 5    | 2   | 100241   | FOOT, ADJUSTABLE (FOR 1.250 SQ. TUBE)                             |
| 6    | 2   | C3216237 | PANEL, STAND, LEFT & RIGHT SIDE, 6.10/10.10                       |
| 7    | 1   | C3216238 | SHEETING, TOP & REAR, COMBI STAND, 6.10/10.10                     |
| 8    | 4   | 111673   | HINGE, COMBI STAND  |
| 9    | 1   | 111674   | CATCH, MAGNETIC, COMBI STAND                                      |
| 10   | 2   | 110492   | SCREW, 6-32 X 0.312, PAN HD, PHILLIPS, SST                        |
| 11   | 3   | 104080   | SCREW, TR, PHH, 8x1/2, TYPE B, SST                                |
| 12   | 24  | 111686   | SCREW, 10-32 X 0.500, COUNTERSUNK FLAT HEAD, SST                  |
| 13   | 8   | 111687   | STUD, WELD, 6-32 X 0.188, CD, SST, NO FLANGE                      |
| 14   | 8   | 110715   | WASHER, 0.158 ID X 0.340 OD X 0.032 THK, SST                      |
| 15   | 8   | 23154    | WASHER, LOCK, INTERNAL TOOTH, #6, SST                             |
| 16   | 8   | 14262    | NUT, HEX, 6-32, ACORN, SST  |
| 17   | 1   | 110587   | LABEL, SANITATION, UL CLASS NSF #2                                |
| 18   | 1   | 111669   | LABEL, COMBI STAND, MODEL NO. CST-10-CB (6.10, 10.10)             |



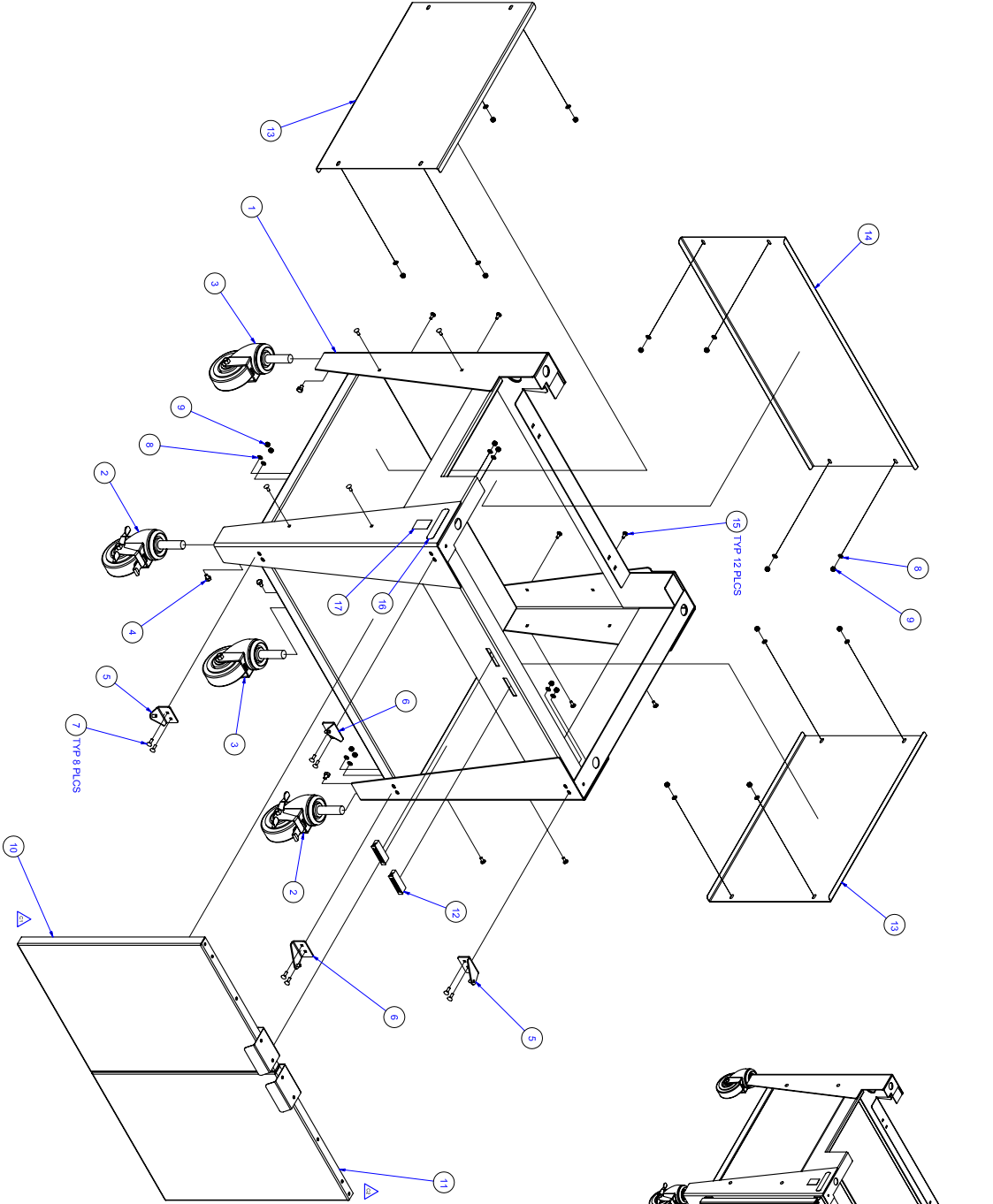
\*\*\*

| ITEM | QTY | PART NO. | DESCRIPTION  |
|------|-----|----------|--|
| 23   | 1   | 280BAF   | INSTRUCTION INSTALLATION COMBI STAND                   |
| 22   | 1   | 111693   | CLIP WIRE ROPE 0.250 DIA. HOT DIPPED GALVANIZED        |
| 21   | 1   | 111692   | KIT RESTRAINING DEVICE COMBI STAND                     |
| 20   | 4   | 112169   | SCREW 3/4-10 X 1.1 HEX HEAD ZINC PLATED                |
| 19   | 4   | 112168   | WASHER LOCK SP/UT 3/4 ZINC PLATED                      |
| 18   | 8   | WR620204 | SHIM, CASTER 3" SHAPED FOR 3/4 STEEL                   |
| 17   | 1   | 110387   | LABEL SANITATION UL CLASS NSF-#2                       |
| 16   | 1   | 111672   | LABEL COMBI STAND MODEL NO. CST-20-C8CA (6.20, 10.20)  |
| 15   | 12  | 112095   | SCREW CARTRIDGE 10-24x1/2 SST (RND HEAD, SQ NECK)      |
| 14   | 1   | 112022   | PANEL REAR CLOSED COMBI STAND X.20                     |
| 13   | 2   | 112021   | PANEL SIDE CLOSED COMBI STAND X.20                     |
| 12   | 2   | KE2133   | CATCH MAGNETIC SWAP-IN SOUTH CO #12-10-20-110          |
| 11   | 1   | 112196   | ASSEMBLY DOOR DOUBLE PANEL RIGHT HAND COMBI STAND X.20 |
| 10   | 1   | 112195   | ASSEMBLY DOOR DOUBLE PANEL LEFT HAND COMBI STAND X.20  |
| 9    | 20  | 104616   | NUT HEX LOCK 10-24 SST NYLON INSERT                    |
| 8    | 20  | 101655   | WASHER FLAT #10 SST                                    |
| 7    | 8   | 112053   | SCREW CARTRIDGE 10-24x3/8 SST (RND HEAD, SQ NECK)      |
| 6    | 2   | WR000001 | WELDMENT HINGE BRACKET LOWER RIGHT AND UPPER LEFT      |
| 5    | 2   | WR000000 | WELDMENT HINGE BRACKET LOWER LEFT AND UPPER RIGHT      |
| 4    | 4   | 19218    | SCREW 1/4-20 X 3/8 HEX HEAD SST                        |
| 3    | 2   | 80020    | CASTER SWIVEL 4" WITHOUT BRAKE                         |
| 2    | 2   | 80019    | CASTER SWIVEL 4" WITH BRAKE                            |
| 1    | 1   | 112016   | WELDMENT CLOSED COMBI CASTER STAND X.20                |



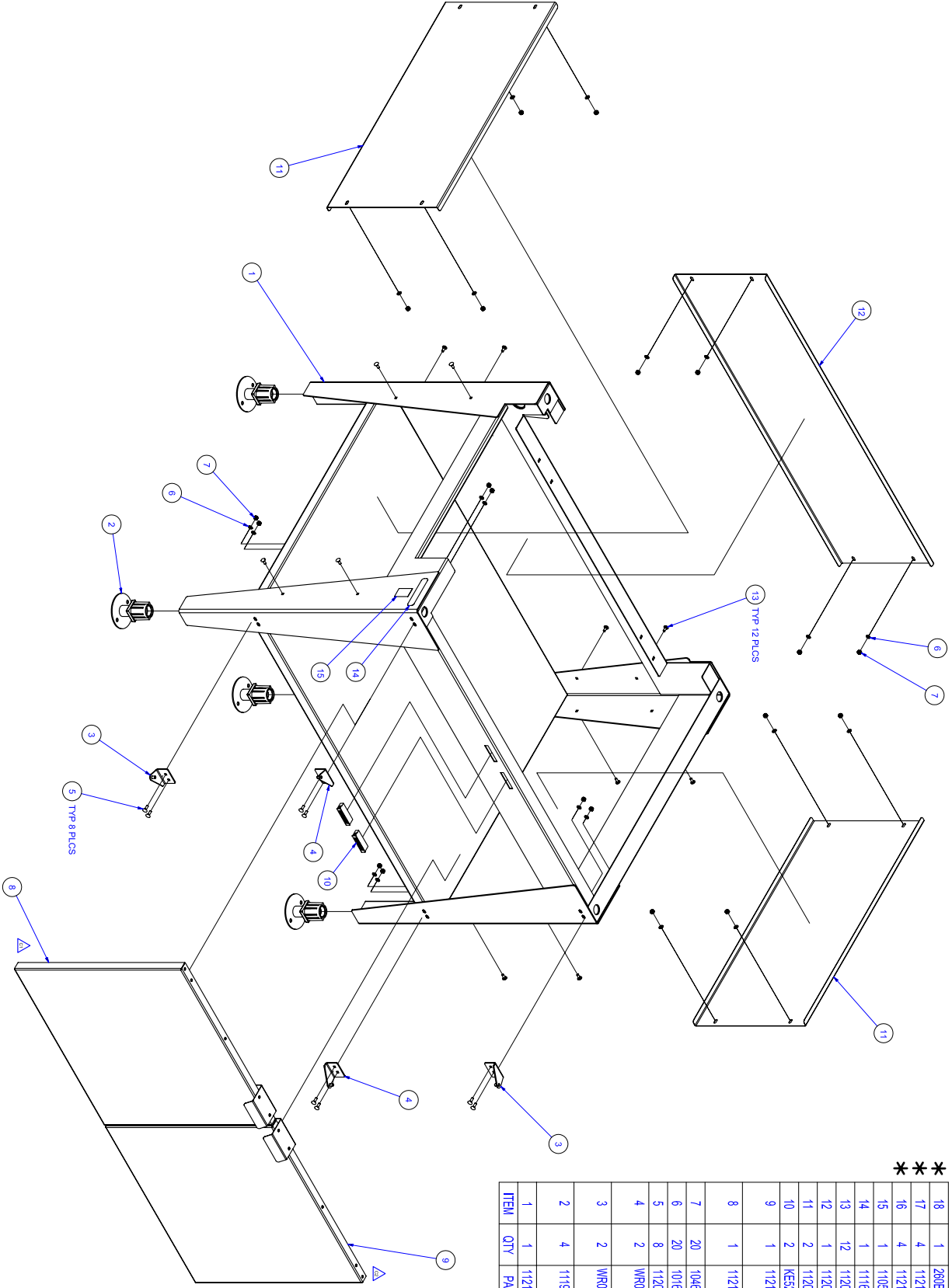
| ITEM | QTY | PART NO. | DESCRIPTION   |
|------|-----|----------|---|
| 18   | 1   | 280BAF   | INSTRUCTION, INSTALLATION COMBI STAND   |
| 17   | 4   | 112169   | SCREW, 3/4-10 X 1, HEX HEAD ZINC PLATED   |
| 16   | 4   | 112168   | WASHER, LOCK, SPLIT, 3/4, ZINC PLATED   |
| 15   | 1   | 110587   | LABEL, SANITATION, UL CLASS, NSF #2   |
| 14   | 1   | 111689   | LABEL, COMBI STAND, MODEL NO. CST-10-CB (6:10, 10:10)   |
| 13   | 12  | 112055   | SCREW, CARRIAGE, 10-24X1/2, SST (RND HEAD, SQ NECK)   |
| 12   | 1   | 111996   | PANEL, REAR, CLOSED COMBI STAND, X:10   |
| 11   | 2   | 111995   | PANEL, SIDE, CLOSED COMBI STAND, X:10   |
| 10   | 2   | KE52133  | CATCH, MAGNETIC, SNAP-IN, SOUTHCO #02-10-201-10   |
| 9    | 1   | 112194   | ASSEMBLY, DOOR, DOUBLE PANEL, RIGHT HAND, COMBI STAND, X:10                                     |
| 8    | 1   | 112193   | ASSEMBLY, DOOR, DOUBLE PANEL, LEFT HAND, COMBI STAND, X:10                                      |
| 7    | 20  | 104616   | NUT, HEX LOCK, 10-24, SST, NYLON INSERT   |
| 6    | 20  | 101655   | WASHER, FLAT, #10, SST  |
| 5    | 8   | 112053   | SCREW, CARRIAGE, 10-24X5/8, SST (RND HEAD, SQ NECK)   |
| 4    | 2   | WR000001 | WELDMENT, HINGE BRACKET, LOWER RIGHT AND UPPER LEFT   |
| 3    | 2   | WR000000 | WELDMENT, HINGE BRACKET, LOWER LEFT AND UPPER RIGHT   |
| 2    | 4   | 111950   | FOOT, ADJUSTABLE, FOR 1-1/2" SQUARE TUBING (16 GA OR 18 GA WALL), WITH 3-1/2" SST FLANGE WHOLES |
| 1    | 1   | 112101   | WELDMENT, CLOSED COMBI FOOT STAND, X:10   |





| ITEM | QTY | PART NO. | DESCRIPTION   |
|------|-----|----------|---|
| 23   | 1   | 260BAF   | INSTRUCTION, INSTALLATION, COMBI STAND                      |
| 22   | 1   | 111693   | CLIP, WIRE ROPE, 0.280 DIA., HOT DIPPED GALVANIZED          |
| 21   | 1   | 111692   | KIT, RESTRAINING DEVICE, COMBI STAND                        |
| 20   | 4   | 112169   | SCREW, 3/4-10 X 1, HEX HEAD, ZINC PLATED                    |
| 19   | 4   | 112168   | WASHER, LOCK, SPLIT, 3/4, ZINC PLATED                       |
| 18   | 8   | WRS0204  | SHIM, CASTER, "C" SHAPED (FOR 3/4 STEM)                     |
| 17   | 1   | 110587   | LABEL, SANITATION, UL CLASS, NSF #2                         |
| 16   | 1   | 111671   | LABEL, COMBI STAND, MODEL NO. CST-10-CBGA (6,10, 10,10)     |
| 15   | 12  | 112055   | SCREW, CARRIAGE, 10-24x1/2, SST (RND HEAD, SQ NECK)         |
| 14   | 1   | 111996   | PANEL, REAR, CLOSED COMBI STAND, X,10                       |
| 13   | 2   | 111995   | PANEL, SIDE, CLOSED COMBI STAND, X,10                       |
| 12   | 2   | KE62133  | CATCH, MAGNETIC, SWAP-IN, SOUTHCO #62-10-201-10             |
| 11   | 1   | 112194   | ASSEMBLY, DOOR, DOUBLE PANEL, RIGHT HAND, COMBI STAND, X,10 |
| 10   | 1   | 112193   | ASSEMBLY, DOOR, DOUBLE PANEL, LEFT HAND, COMBI STAND, X,10  |
| 9    | 20  | 104616   | NUT, HEX, LOCK, 10-24, SST, NYLON INSERT                    |
| 8    | 20  | 101655   | WASHER, FLAT, #10, SST                                      |
| 7    | 8   | 112053   | SCREW, CARRIAGE, 10-24x5/8, SST (RND HEAD, SQ NECK)         |
| 6    | 2   | WR000001 | WELDMENT, HINGE BRACKET, LOWER RIGHT AND UPPER LEFT         |
| 5    | 2   | WR000000 | WELDMENT, HINGE BRACKET, LOWER LEFT AND UPPER RIGHT         |
| 4    | 4   | 19218    | SCREW, 1/4-20 X 3/8, HEX HEAD, SST                          |
| 3    | 2   | 80020    | CASTER, SWIVEL, 4", WITHOUT BRAKE                           |
| 2    | 2   | 80019    | CASTER, SWIVEL, 4", WITH BRAKE                              |
| 1    | 1   | 111990   | WELDMENT, CLOSED COMBI CASTER STAND, X,10                   |

\* = NOT SHOWN

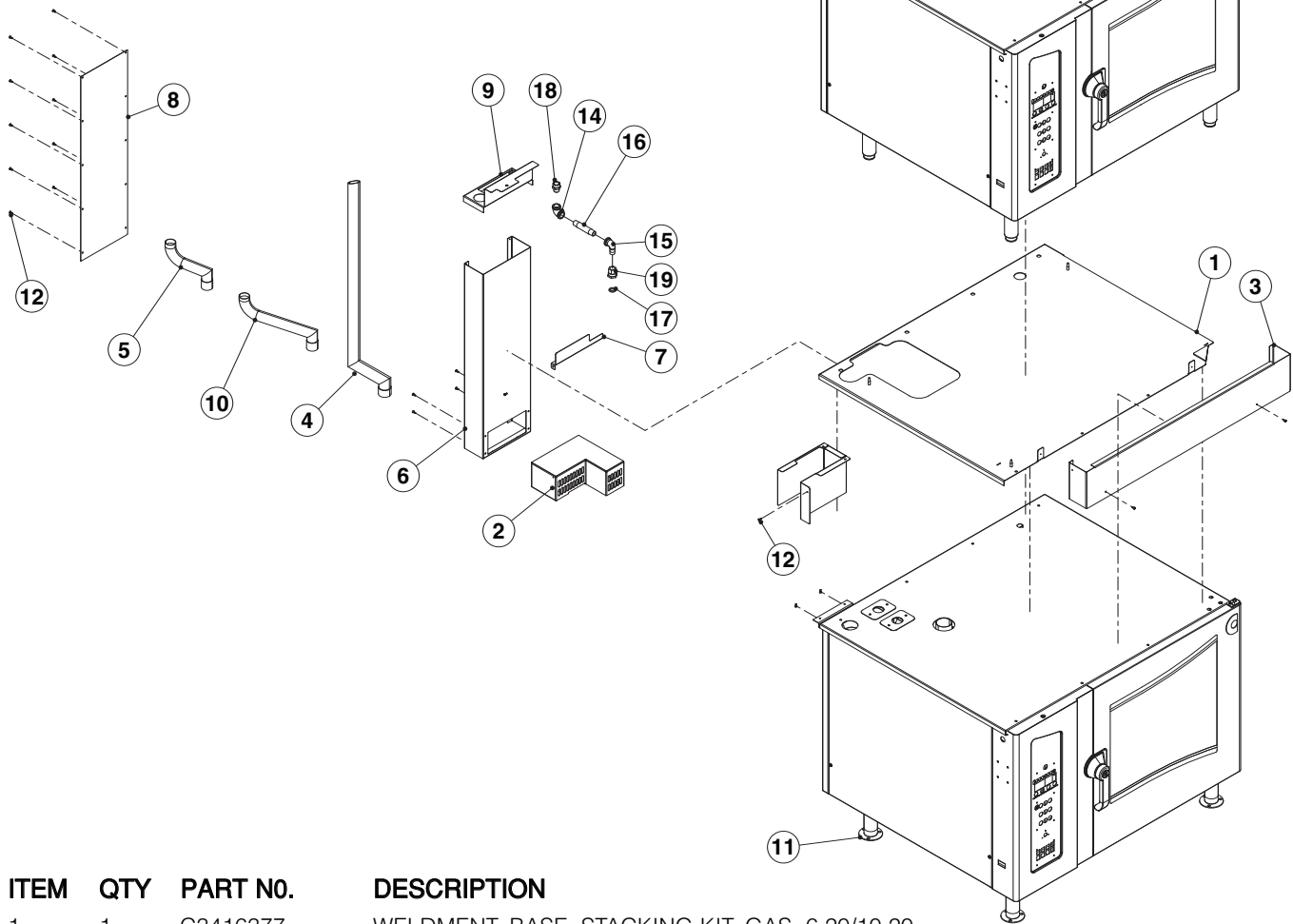


\*\*\*

| ITEM | QTY | PART NO. | DESCRIPTION   |
|------|-----|----------|---|
| 18   | 1   | 2809AF   | INSTRUCTION INSTALLATION COMBI STAND  |
| 17   | 4   | 112169   | SCREW, 3/4-10 X 1, HEX HEAD, ZINC PLATED  |
| 16   | 4   | 112168   | WASHER, LOCK, SPLIT, 3/4, ZINC PLATED   |
| 15   | 1   | 110587   | LABEL, SANITATION, UL CLASS, NSF #2   |
| 14   | 1   | 111670   | LABEL, COMBI STAND, MODEL NO. CST-20-CB (6.20, 10.20)   |
| 13   | 12  | 112055   | SCREW, CARRIAGE, 10-24X1/2 SST (RND HEAD, SQ NECK)  |
| 12   | 1   | 112022   | PANEL, REAR, CLOSED COMBI STAND, X.20   |
| 11   | 2   | 112021   | PANEL, SIDE, CLOSED COMBI STAND, X.20   |
| 10   | 2   | KEE2133  | CATCH, MAGNETIC, SWA-FIN, SOUTHCO #02-10-201-10   |
| 9    | 1   | 112196   | ASSEMBLY, DOOR, DOUBLE PANEL, RIGHT HAND COMBI STAND, X.20                                      |
| 8    | 1   | 112195   | ASSEMBLY, DOOR, DOUBLE PANEL, LEFT HAND COMBI STAND, X.20                                       |
| 7    | 20  | 104616   | NUT, HEX, LOCK, 10-24, SST, NYLON INSERT  |
| 6    | 20  | 101655   | WASHER, FLAT, #10, SST  |
| 5    | 8   | 112053   | SCREW, CARRIAGE, 10-24X3/8 SST (RND HEAD, SQ NECK)  |
| 4    | 2   | WR000001 | WELDMENT, HINGE BRACKET, LOWER RIGHT AND UPPER LEFT   |
| 3    | 2   | WR000000 | WELDMENT, HINGE BRACKET, LOWER LEFT AND UPPER RIGHT   |
| 2    | 4   | 111950   | FOOT, ADJUSTABLE, FOR 1-1/2" SQUARE TUBING, (16 GA QW 18 GA WALL) WITH 3-1/2" SST FLANGE WHOLES |
| 1    | 1   | 112102   | WELDMENT, CLOSED COMBI FOOT STAND, X.20   |

# ASSEMBLY, STACKING KIT, GAS MODELS

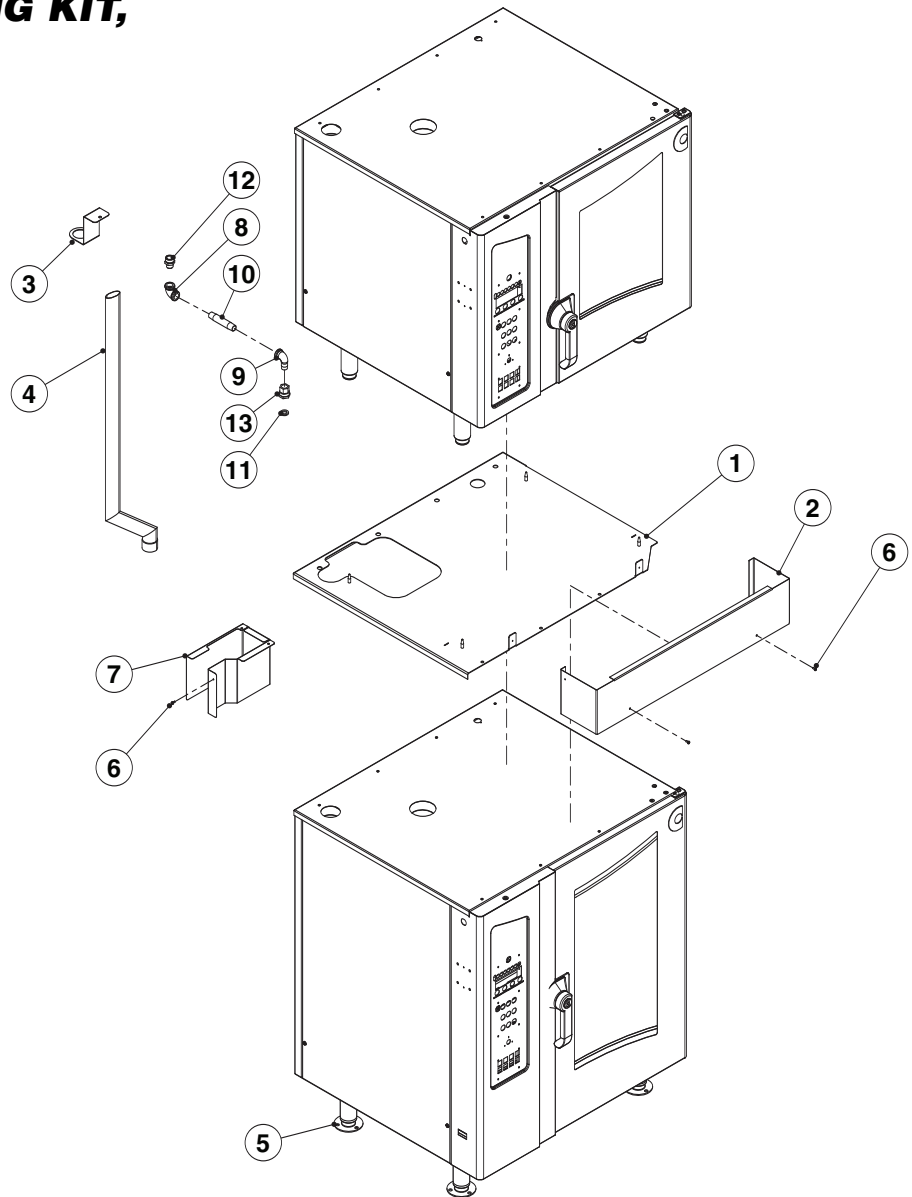
6.20 ON 6.20 OR 10.20,  
6.10 ON 6.10 OR 10.10,



| ITEM | QTY | PART NO. | DESCRIPTION   |
|------|-----|----------|---|
| 1    | 1   | C3416377 | WELDMENT, BASE, STACKING KIT, GAS, 6.20/10.20                                     |
| 2    | 1   | C3416369 | WELDMENT, EXHAUST SHIELD, STACKING KIT, GAS                                       |
| 3    | 1   | C3416363 | SHROUD, STACKING KIT, GAS, 6.20   |
|      | 1   | C3416361 | SHROUD, STACKING KIT, GAS, 6.10   |
| 4    | 1   | C2016200 | PIPE, STEAM EXHAUST, GAS, STACKING KIT  |
| 5    | 1   | C2016211 | FLUE PIPE, STEAM GENERATOR, STACKING KIT, 6.20                                    |
|      | 1   | C2016212 | FLUE PIPE, STEAM GENERATOR, STACKING KIT, 6.10                                    |
| 6    | 1   | C3416373 | SHROUD, EXHAUST, STACKING KIT, GAS  |
| 7    | 1   | C3417044 | BRACKET, COVER PLATE, STACKING KIT, GAS   |
| 8    | 1   | C3416372 | COVER, EXHAUST SHROUD, STACKING KIT, GAS  |
| 9    | 1   | C3416392 | GUIDE, FLUE, SHROUD, TOP, STACKING KIT, GAS 6.20                                  |
|      | 1   | C3416374 | GUIDE, FLUE SHROUD, TOP, STACKING KIT, GAS, 6.10                                  |
| 10   | 1   | C2016204 | FLUE PIPE, HOT AIR, STACKING KIT, 6.20  |
|      | 1   | C2016206 | FLUE PIPE, HOT AIR, STACKING KIT, 6.10  |
| 11   | 4   | 06162    | FOOT, 6.00" ADJUSTABLE, FLANGED/TRI-BOLT HOLE PATTERN                             |
| 12   | 20  | C8001024 | SCREW, FILISTER HD, M4x10 DIN 7985  |
| 14   | 1   | 05250    | ELBOW, 90°, 1/2 NPT, BRASS (USED FOR STEAM GENERATOR)                             |
| 15   | 1   | 05253    | ELBOW, STREET, 90°, 1/2 NPT, BRASS (USED FOR STEAM GENERATOR)                     |
| 16   | 1   | 14335    | NIPPLE 0.500 NPT X 4.000, SCH 40, BRASS, TBE (USED FOR STEAM GENERATOR)           |
| 17   | 1   | 108034   | WASHER 3/4 GHT HOSE (USED FOR STEAM GENERATOR)                                    |
| 18   | 1   | 111704   | FITTING, 3/4 GHT MALE, X 1/2 NPT MALE, BRASS (USED FOR STEAM GENERATOR)           |
| 19   | 1   | 111705   | FITTING, 3/4 GHT FEMALE SWIVEL X 1/2 NPT FEMALE, BRASS (USED FOR STEAM GENERATOR) |
| 20   | A/R | 00909    | THREAD SEALANT, LOCTITE 592 (USED FOR STEAM GENERATOR)                            |
| 22   | 1   | 111702   | AIR DUCT, STACKING KIT, X.20 (USED FOR STEAM GENERATOR)                           |
|      | 1   | 111703   | AIR DUCT, STACKING KIT, X.10 (USED FOR STEAM GENERATOR)                           |

# ASSEMBLY, STACKING KIT, ELECTRIC MODELS

6.10 ON 6.10 OR 10.10



| ITEM | QTY | PART NO. | DESCRIPTION  |
|------|-----|----------|--|
| 1*   | 1   | C3416368 | WELDMENT, BASE, STACKING KIT, ELECTRIC, 6.10/10.10     |
| 2*   | 1   | C3416362 | SHROUD, STACKING KIT, ELECTRIC, X.10                   |
| 3*   | 1   | C3416365 | BRACKET, STEAM EXHAUST PIPE, STACKING KIT, ELECTRIC    |
| 4*   | 1   | C2016201 | PIPE, STEAM EXHAUST, ELECTRIC, STACKING KIT            |
| 5*   | 4   | 06162    | FOOT, 6.00" ADJUSTABLE, FLANGED/TRI-BOLT HOLE PATTERN  |
| 6*   | 3   | C8001024 | SCREW, FILISTER HD, M4x10 DIN 7985                     |
| 7*   | 1   | 111703   | AIR DUCT, STACKING KIT, x.10                           |
| 8    | 1   | 05250    | ELBOW, 90°, 1/2 NPT, BRASS                             |
| 9    | 1   | 05253    | ELBOW, STREET, 90°, 1/2 NPT, BRASS                     |
| 10   | 1   | 14335    | NIPPLE 0.500 NPT X 4.000, SCH 40, BRASS, TBE           |
| 11   | 1   | 108034   | WASHER 3/4 GHT HOSE                                    |
| 12   | 1   | 111704   | FITTING, 3/4 GHT MALE, X 1/2 NPT MALE, BRASS           |
| 13   | 1   | 111705   | FITTING, 3/4 GHT FEMALE SWIVEL X 1/2 NPT FEMALE, BRASS |
| 14   | A/R | 00909    | THREAD SEALANT, LOCTITE 592                            |

\* Used for Steam Generator only.

## CLEVELAND RANGE OEB 6.20/10.10 SEQUENCE OF OPERATIONS

*When using these instructions refer to the OEB 6.20/10.10 wiring schematic.*

- 1 When incoming power (220 VAC) is connected to the combi, 220 VAC is sent to
  - a The contacts 2,4 and 6 of the Safety Contactor (KO)
  - b The terminals 2 and 3 of the Control Power Switch (S1)
- 2 When the Control Power Switch (S1) is turned on (closed)
  - a The red light on the switch is energized.
  - b Incoming power (220 VAC) is sent through the 2A fuse (F1.1) to
    - The 12 vdc power supply (G1)
      - ◊ 12vdc is sent to terminals 3 and 4 of the connector X10 on the Control Board (A10)
    - Terminal 1 of connector X12 on the Control Board (A10)
    - Terminal 10 of connector X13 on the Control Board (A10)
    - The return of the Supply is sent to terminal 7 of connector X13 on the Control Board (A10)
  - c With 220 VAC to the Control Board (A10) The Operation Board (A11) is energized
    - An alarm will sound for one second
    - All the LED's and the display will energize one at a time.
    - "STARTING" will be displayed for 3 seconds
    - "please wait" will be displayed
    - The international model number will be displayed
    - The time and date will be displayed and this will continue until the on/off switch is depressed.
- 3 When the ON/OFF is depressed with the combi in the steam mode
  - a After a date change (the first time the combi is turned on) the display will ask "Generator Flush?". If no answer is given in 10 seconds or a yes is indicated the flush will begin.
    - 220 VAC is sent from terminal 1 of connector X13 on the Control Board (A10) to the Generator Pump (M4).
    - As the water level drops below the probes the fill solenoid (Y3) will energize. This rocking of the water will help flush scale from the generator.
    - Then the pumps will be energized again
    - When the condensate box is heated to 140 degrees F at the B3probe, 220 VAC is sent from terminal 5 of connector X12 to the condenser valve (Y1) until the temperature drops.,
  - b The display will show the set temperature and set time when the flush cycle is complete.
  - c The Control Board (A10) will check the water level by looking for a ground at terminals 1 and 2 on connector X15. These are connected to the high and low probes (B1) in the steam generator.

- If the ground is not found 220 VAC is sent from terminal 7 on connector X12 on the Control Board (A10) to the fill solenoid (Y3)
  - The fill solenoid opens and the generator is filled until both probes are grounded.
    - ◊ If the top probe becomes ungrounded for more that 5 seconds the fill solenoid (Y3) will energize.
    - ◊ If the bottom probe becomes ungrounded the combi will fill immediately and the combi will not heat
- d When the terminal 2 on connector X15 is grounded
- 220 VAC is sent from terminal 4 of connector X12 on the Control Board (A10) through the normally closed auxiliary contacts of K4 to the coil of Contactor K1 until the steam generator get to 190 degrees F (probe B4).
    - ◊ The contactor K1 closes and 220 VAC is sent to the 9.4 KW element (E1)
    - ◊ The normally closed auxiliary contact of K1 opens preventing the Hot Air Contactor K4 from energizing
  - 220 VAC is sent from terminal 8 of connector X11 on the Control Board (A10) through the normally closed auxiliary contacts of K44 to the coil of Contactor K2 until the steam generator get to 190 degrees F (probe B4).
    - ◊ The contactor K2 closes and 220 VAC is sent to the 6.27 KW element (E2)
    - ◊ The normally closed auxiliary contact of K2 opens preventing the Hot Air Contactor K4 from energizing
- 4 With the combi in the steam mode with time on the timer, the door closed and the start switch is depressed
- a The front display will include a lighted bar under the steam symbol
- When the heat circuit is energized the heat symbol will be energized
  - The cooking mode symbol will be energized.
  - The time display will invert and begin to count down.
- b The fan circuit is energized
- **NOTE:** If the temperature is less than 212 degrees F than fan will be pulsed on for 2 seconds every 60 seconds after the cabinet set temp (B6).
  - If the combi fan is in the normal setting 220 VAC is sent from terminal 5 on connector X11 through the normally closed auxiliary contacts of contactor K57 to the coils of contactors K55 and K56
    - ◊ The K55 and K56 contactors close sending 220 VAC through the Q56 overload to the motor and the motor turns at a high speed.
    - ◊ The normally closed auxiliary contacts of both K55 and K56 open preventing the K57 contactor from energizing.
  - If the combi fan is in the reduced setting 220 VAC is sent from terminal 6 on connector X11 through the normally closed auxiliary contacts of contactors K55 and K56 to the coil of contactor K57
    - ◊ The K57 contactor closes Sending 220 VAC through the Q57 thermal overload to the motor and the motor turns at a reduced speed.
    - ◊ The normally closed auxiliary contacts of K57 open preventing the K55 and K56 contactors from energizing.

- For the first 2 minutes 220 VAC is sent from terminal 4 on connector X11 through the normally closed auxiliary contacts of contactor K5 to the K50 contactor coil
    - ◊ K50 contactor closes and the motor turns CW
    - ◊ The normally closed auxiliary contacts on K50 open preventing the K5 contactor from energizing.
  - For 15 seconds the motor is de-energized and allowed to coast.
  - For the next 2 minutes 220 VAC is sent from terminal 3 on connector X11 through the normally closed auxiliary contacts of contactor K50 to the K5 contactor coil
    - ◊ K5 contactor closes and the motor turns CCW
    - ◊ The normally closed auxiliary contacts on K5 open preventing the K50 contactor from energizing.
  - **NOTE:** If the door switch (S7) opens by the door opening, then the fan circuit is de-energized. Then the motor will be pulsed in the opposite direction to “break” the fan. This is to stop the fan quicker for the operator.
- c The steam generator circuit is energized
- 220 VAC is sent from terminal 4 of connector X12 on the Control Board (A10) through the normally closed auxiliary contacts of K4 to the coil of Contactor K1 until the cabinet reaches the set temperature and the bypass probe (B5) senses 162 degrees F.
    - ◊ The contactor K1 closes and 220 VAC is sent to the 9.4 KW element (E1)
    - ◊ The normally closed auxiliary contact of K1 opens preventing the Hot Air Contactor K4 from energizing
  - 220 VAC is sent from terminal 8 of connector X11 on the Control Board (A10) through the normally closed auxiliary contacts of K44 to the coil of Contactor K2 until the cabinet reaches the set temperature and the bypass probe (B5) senses 162 degrees F.
    - ◊ The contactor K2 closes and 220 VAC is sent to the 6.27 KW element (E2)
    - ◊ The normally closed auxiliary contact of K2 opens preventing the Hot Air Contactor K4 from energizing
    - ◊ If the reduced power option is chosen then the K2 Contactor is not energized.
  - When the compartment temp is reached, the steam heat circuit is controlled by the B4 probe in the bypass tube.
  - **NOTE:** If the set temperature is above 212 degrees F the hot air circuit will be energized (after the by pass probe is satisfied) until the compartment setting is reached. The steam circuit always takes precedence.
- d When the condensate box is heated to 140 degrees F at the B3probe, 220 VAC is sent from terminal 5 of connector X12 to the condenser valve (Y1) until the temperature drops.
- e When the timer counts to 0 or the core temp probe (B10) reaches the set amount the cycle ends and the steam generator reverts to the standby temperature of 190-degree F.

- 5 With the combi in the Hot Air mode with time on the timer, the door closed and the start switch is depressed
  - a The front display will include a lighted bar under the Hot Air symbol
    - When the heat circuit is energized the heat symbol will be energized
    - The cooking mode symbol will be energized.
    - The time display will invert and begin to count down.
  - b The fan circuit is energized
    - **NOTE:** If the temperature is less than 212 degrees F than fan will be pulsed on for 2 seconds every 60 seconds after the cabinet set temp (B6)
    - If the combi fan is in the normal setting 220 VAC is sent from terminal 5 on connector X11 through the normally closed auxiliary contacts of contactor K57 to the coils of contactors K55 and K56
      - ◇ The K55 and K56 contactors close sending 220 VAC through the Q56 overload to the motor and the motor turns at a high speed.
      - ◇ The normally closed auxiliary contacts of both K55 and K56 open preventing the K57 contactor from energizing.
    - If the combi fan is in the reduced setting 220 VAC is sent from terminal 6 on connector X11 through the normally closed auxiliary contacts of contactors K55 and K56 to the coil of contactor K57
      - ◇ The K57 contactor closes Sending 220 VAC through the Q57 thermal overload to the motor and the motor turns at a reduced speed.
      - ◇ The normally closed auxiliary contacts of K57 open preventing the K55 and K56 contactors from energizing.
    - For the first 2 minutes 220 VAC is sent from terminal 4 on connector X11 through the normally closed auxiliary contacts of contactor K5 to the K50 contactor coil
      - ◇ K50 contactor closes and the motor turns CW
      - ◇ The normally closed auxiliary contacts on K50 open preventing the K5 contactor from energizing.
    - For 15 seconds the motor is de-energized and allowed to coast.
    - For the next 2 minutes 220 VAC is sent from terminal 3 on connector X11 through the normally closed auxiliary contacts of contactor K50 to the K5 contactor coil
      - ◇ K5 contactor closes and the motor turns CCW
      - ◇ The normally closed auxiliary contacts on K5 open preventing the K50 contactor from energizing.
    - **NOTE:** If the door switch (S7) opens by the door opening, then the fan circuit is de-energized. Then the motor will be pulsed in the opposite direction to “break” the fan. This is to stop the fan quicker for the operator.
  - c The hot air heat circuit is energized
    - 220 VAC is sent from terminal 3 of connector X12 on the Control Board (A10) through the normally closed auxiliary contacts of K2 and K1 to the coil of Contactor K4 until the cabinet reaches the set temperature.
      - ◇ The contactor K4 closes and to legs of the 220 VAC is sent to the 18 KW element (E4)



- ◇ The normally closed auxiliary contact of K4 opens preventing the Steam Contactor K1 from energizing
    - 220 VAC is sent from terminal 7 of connector X11 on the Control Board (A10) to the coil of Contactor K44 until the cabinet reaches the set temperature.
      - ◇ The contactor K44 closes and the third leg of 220 VAC is sent to the 18 KW element (E4)
      - ◇ If the reduced power option is chosen then the K44 Contactor is not energized.
  - d When the condensate box is heated to 140 degrees F at the B3probe, 220 VAC is sent from terminal 5 of connector X12 to the condenser valve (Y1) until the temperature drops.
  - e If the “Crisp and Tasty” mode is selected
    - 220 VAC is sent from terminal 6 of connector X12 on the Control Board (A10) to the Dehumidification Valve (Y2) to pull the humidity out of the cabinet down the drain.
      - ◇ In the light and medium modes (one and two drops in the display) the Y2 valve will be energized until the bypass probe (B5) is satisfied.
      - ◇ In the full mode (3 drops in the display) the Y2 valve will be energized continuously.
  - f When the timer counts to 0 or the core temp probe (B10) reaches the set amount the cycle ends and the steam generator reverts to the standby temperature of 190-degree F.
- 6 With the combi in the Combi mode with time on the timer, the door closed and the start switch is depressed
- a The front display will include a lighted bar under the combi symbol
    - When the heat circuit is energized the heat symbol will be energized
    - The cooking mode symbol will be energized.
    - The time display will invert and begin to count down.
  - b The fan circuit is energized
    - If the combi fan is in the normal setting 220 VAC is sent from terminal 5 on connector X11 through the normally closed auxiliary contacts of contactor K57 to the coils of contactors K55 and K56
      - ◇ The K55 and K56 contactors close sending 220 VAC through the Q56 overload to the motor and the motor turns at a high speed.
      - ◇ The normally closed auxiliary contacts of both K55 and K56 open preventing the K57 contactor from energizing.
    - If the combi fan is in the reduced setting 220 VAC is sent from terminal 6 on connector X11 through the normally closed auxiliary contacts of contactors K55 and K56 to the coil of contactor K57
      - ◇ The K57 contactor closes Sending 220 VAC through the Q57 thermal overload to the motor and the motor turns at a reduced speed.
      - ◇ The normally closed auxiliary contacts of K57 open preventing the K55 and K56 contactors from energizing.

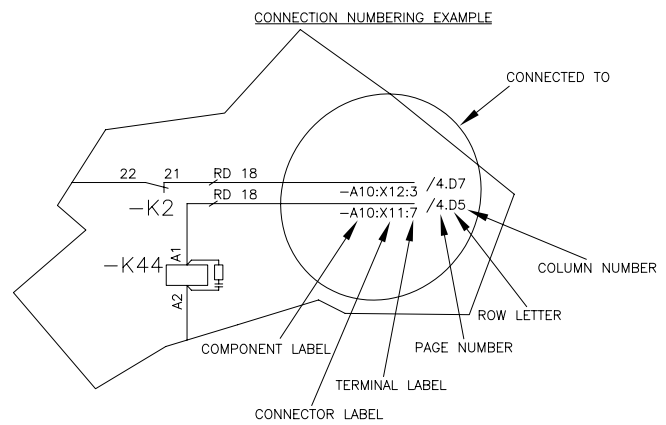
- For the first 2 minutes 220 VAC is sent from terminal 4 on connector X11 through the normally closed auxiliary contacts of contactor K5 to the K50 contactor coil
    - ◇ K50 contactor closes and the motor turns CW
    - ◇ The normally closed auxiliary contacts on K50 open preventing the K5 contactor from energizing.
  - For 15 seconds the motor is de-energized and allowed to coast.
  - For the next 2 minutes 220 VAC is sent from terminal 3 on connector X11 through the normally closed auxiliary contacts of contactor K50 to the K5 contactor coil
    - ◇ K5 contactor closes and the motor turns CCW
    - ◇ The normally closed auxiliary contacts on K5 open preventing the K50 contactor from energizing.
  - **NOTE:** If the door switch (S7) opens by the door opening, then the fan circuit is de-energized. Then the motor will be pulsed in the opposite direction to “break” the fan. This is to stop the fan quicker for the operator.
- c The steam generator circuit is energized. Steam production takes precedence in the combi mode.
- 220 VAC is sent from terminal 4 of connector X12 on the Control Board (A10) through the normally closed auxiliary contacts of K4 to the coil of Contactor K1 until the bypass probe (B5) senses 162 degrees F.
    - ◇ The contactor K1 closes and 220 VAC is sent to the 9.4 KW element (E1)
    - ◇ The normally closed auxiliary contact of K1 opens preventing the Hot Air Contactor K4 from energizing
  - 220 VAC is sent from terminal 8 of connector X11 on the Control Board (A10) through the normally closed auxiliary contacts of K44 to the coil of Contactor K2 until the bypass probe (B5) senses 162 degrees F.
    - ◇ The contactor K2 closes and 220 VAC is sent to the 6.27 KW element (E2)
    - ◇ The normally closed auxiliary contact of K2 opens preventing the Hot Air Contactor K4 from energizing
    - ◇ If the reduced power option is chosen then the K2 Contactor is not energized.
- d After the bypass probe (B5) is satisfied then the hot air heat circuit is energized to increase the cabinet temperature to the setting.
- 220 VAC is sent from terminal 3 of connector X12 on the Control Board (A10) through the normally closed auxiliary contacts of K2 and K1 to the coil of Contactor K4 until the cabinet reaches the set temperature.
    - ◇ The contactor K4 closes and to legs of the 220 VAC is sent to the 18 KW element (E4)
    - ◇ The normally closed auxiliary contact of K4 opens preventing the Steam Contactor K1 from energizing
  - 220 VAC is sent from terminal 7 of connector X11 on the Control Board (A10) to the coil of Contactor K44 until the cabinet reaches the set temperature.

- ◇ The contactor K44 closes and the third leg of 220 VAC is sent to the 18 KW element (E4)
    - ◇ If the reduced power option is chosen then the K44 Contactor is not energized.
  - e When the condensate box is heated to 140 degrees F at the B3probe, 220 VAC is sent from terminal 5 of connector X12 to the condenser valve (Y1) until the temperature drops.
  - f If the “Crisp and Tasty” mode is selected
    - 220 VAC is sent from terminal 6 of connector X12 on the Control Board (A10) to the Dehumidification Valve (Y2) to pull the humidity out of the cabinet down the drain.
      - ◇ In the light and medium modes (one and two drops in the display) the Y2 valve will be energized until the bypass probe (B5) is satisfied.
      - ◇ In the full mode (3 drops in the display) the Y2 valve will be energized continuously.
  - g When the timer counts to 0 or the core temp probe (B10) reaches the set amount the cycle ends and the steam generator reverts to the standby temperature of 190-degree F.
- 7 With the combi in the Rethermalization mode with time on the timer, the door closed and the start switch is depressed
  - a The front display will include a lighted bar under the Rethermalization symbol
    - When the heat circuit is energized the heat symbol will be energized
    - The cooking mode symbol will be energized.
    - The time display will invert and begin to count down.
  - b The fan circuit is energized
    - If the combi fan is in the normal setting 220 VAC is sent from terminal 5 on connector X11 through the normally closed auxiliary contacts of contactor K57 to the coils of contactors K55 and K56
      - ◇ The K55 and K56 contactors close sending 220 VAC through the Q56 overload to the motor and the motor turns at a high speed.
      - ◇ The normally closed auxiliary contacts of both K55 and K56 open preventing the K57 contactor from energizing.
    - If the combi fan is in the reduced setting 220 VAC is sent from terminal 6 on connector X11 through the normally closed auxiliary contacts of contactors K55 and K56 to the coil of contactor K57
      - ◇ The K57 contactor closes Sending 220 VAC through the Q57 thermal overload to the motor and the motor turns at a reduced speed.
      - ◇ The normally closed auxiliary contacts of K57 open preventing the K55 and K56 contactors from energizing.
    - For the first 2 minutes 220 VAC is sent from terminal 4 on connector X11 through the normally closed auxiliary contacts of contactor K5 to the K50 contactor coil
      - ◇ K50 contactor closes and the motor turns CW
      - ◇ The normally closed auxiliary contacts on K50 open preventing the K5 contactor from energizing.

- For 15 seconds the motor is de-energized and allowed to coast.
  - For the next 2 minutes 220 VAC is sent from terminal 3 on connector X11 through the normally closed auxiliary contacts of contactor K50 to the K5 contactor coil
    - ◇ K5 contactor closes and the motor turns CCW
    - ◇ The normally closed auxiliary contacts on K5 open preventing the K50 contactor from energizing.
  - **NOTE:** If the door switch (S7) opens by the door opening, then the fan circuit is de-energized. Then the motor will be pulsed in the opposite direction to “break” the fan. This is to stop the fan quicker for the operator.
- c The steam generator circuit is energized. Steam production takes precedence in the Rethermalization mode.
- 220 VAC is sent from terminal 4 of connector X12 on the Control Board (A10) through the normally closed auxiliary contacts of K4 to the coil of Contactor K1 until the bypass probe (B5) senses 68 degrees F.
    - ◇ The contactor K1 closes and 220 VAC is sent to the 9.4 KW element (E1)
    - ◇ The normally closed auxiliary contact of K1 opens preventing the Hot Air Contactor K4 from energizing
  - 220 VAC is sent from terminal 8 of connector X11 on the Control Board (A10) through the normally closed auxiliary contacts of K44 to the coil of Contactor K2 until the bypass probe (B5) senses 68 degrees F.
    - ◇ The contactor K2 closes and 220 VAC is sent to the 6.27 KW element (E2)
    - ◇ The normally closed auxiliary contact of K2 opens preventing the Hot Air Contactor K4 from energizing
    - ◇ If the reduced power option is chosen then the K2 Contactor is not energized.
- d After the bypass probe (B5) is satisfied then the hot air heat circuit is energized to increase the cabinet temperature to the setting.
- 220 VAC is sent from terminal 3 of connector X12 on the Control Board (A10) through the normally closed auxiliary contacts of K2 and K1 to the coil of Contactor K4 until the cabinet reaches the set temperature.
    - ◇ The contactor K4 closes and to legs of the 220 VAC is sent to the 18 KW element (E4)
    - ◇ The normally closed auxiliary contact of K4 opens preventing the Steam Contactor K1 from energizing
  - 220 VAC is sent from terminal 7 of connector X11 on the Control Board (A10) to the coil of Contactor K44 until the cabinet reaches the set temperature.
    - ◇ The contactor K44 closes and the third leg of 220 VAC is sent to the 18 KW element (E4)
    - ◇ If the reduced power option is chosen then the K44 Contactor is not energized.

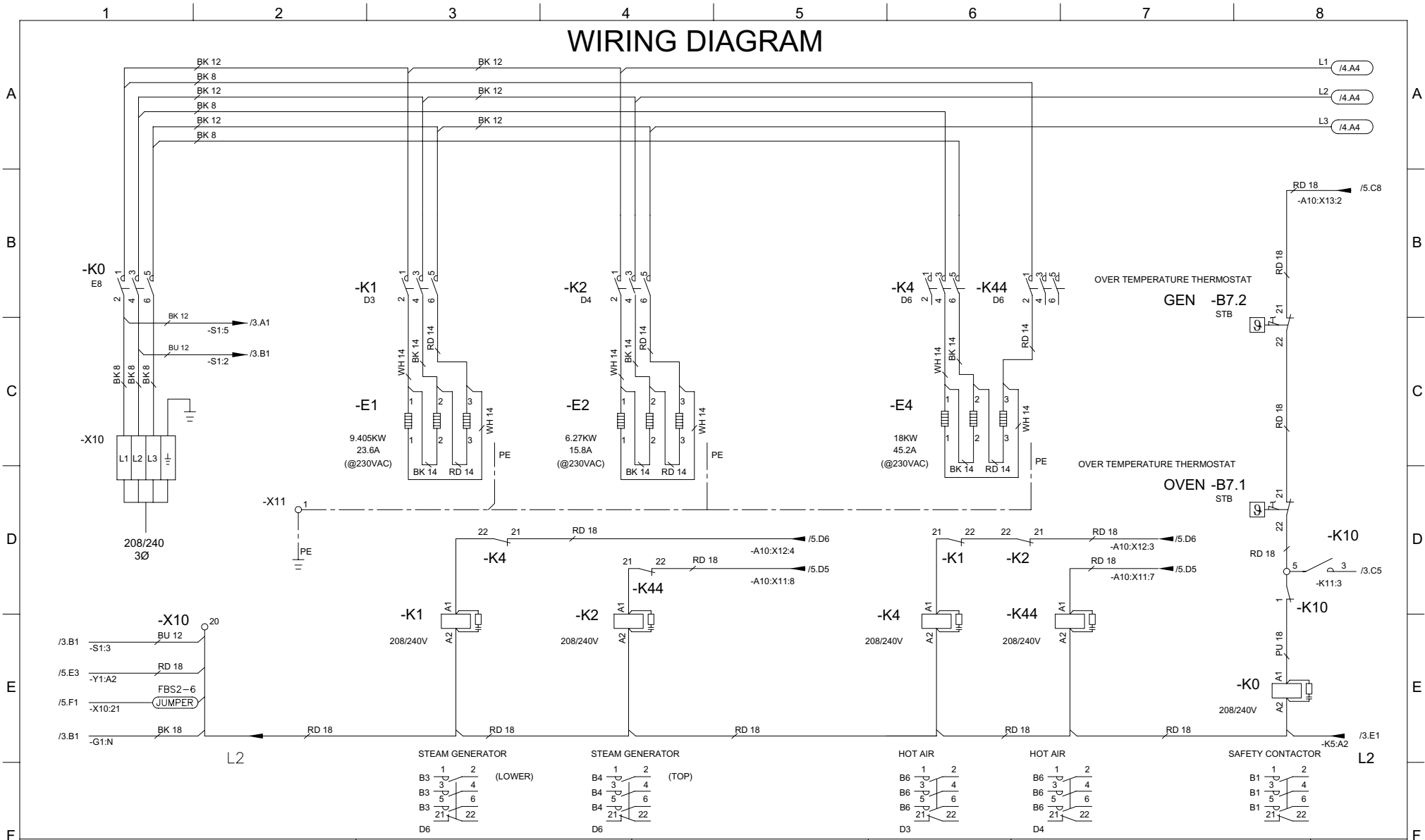
- e When the condensate box is heated to 140 degrees F at the B3probe, 220 VAC is sent from terminal 5 of connector X12 to the condenser valve (Y1) until the temperature drops.
- f When the timer counts to 0 or the core temp probe (B10) reaches the set amount the cycle ends and the steam generator reverts to the standby temperature of 190-degree F.

| PARTS LIST |  |          |           |       |  |           |          |
|------------|--|----------|-----------|-------|--|-----------|----------|
| LABEL      | DESCRIPTION                            | PART_NO. | LOCATION  | LABEL | DESCRIPTION                                    | PART_NO.  | LOCATION |
| -A10       | CONTROL BOARD (SM 5010)                | C5019100 | 5         | -M1   | MOTOR, OVEN FAN                                | C50180041 | 4.E5     |
| -A11       | OPERATION BOARD (BM 5010)              | C5019101 | 5         | -M3.1 | COOLING FAN                                    | C5018023  | 5.E1     |
| -A12       | PICTO MODULE (OPTION)                  | C5019105 | 5.B1      | -M4   | PUMP, GEN., 230VAC                             | 300507    | 5.E6     |
| -A13       | I.D. MODULE                            | C5019102 | 5.D4      | -Q56  | MOTOR STARTER, 2.5-4A                          | 300458    | 4.D6     |
| -B1        | WATER LEVEL PROBE                      | C5019000 | 5.A6      |       | AUX. CONTACTS                                  | 300477    |          |
| -B3        | CONDENSOR PROBE                        | C5016006 | 5.A4      | -Q57  | MOTOR STARTER, 1.6-2.5A                        | 300426    | 4.D4     |
| -B4        | STEAM GEN PROBE                        | C5016006 | 5.A3      |       | AUX. CONTACTS                                  | 300477    |          |
| -B5        | BYPASS PROBE                           | C5016006 | 5.A4      | -S1   | SWITCH, CONTROL POWER                          | 300358    | 3.A2     |
| -B6        | OVEN PROBE                             | C5016006 | 5.A4      | -S2   | PRESSURE SWITCH                                | C5009055  | 5.A5     |
| -B7.1      | OVEN HI-TEMP THERMOSTAT                | C5001041 | 2.D8      | -S7   | DOOR SWITCH                                    | C5003075  | 5.A6     |
| -B7.2      | GEN. HI-TEMP THERMOSTAT                | 1089952  | 2.B8      | -W1   | CABLE, 9 PIN COM.                              | C5009304  | 5.C3     |
| -B8        | GEN. HI-TEMP PROBE                     | C5016004 | 5.A3      | -Y1   | VALVE, CONDENSER, 240VAC                       | 300362    | 5.E4     |
| -B10       | CORE TEMP. PROBE (KTM CTC)             | C5013000 | 5.A4      |       | NOISE FILTER (RC)                              | 300407    | 5.E4     |
| -B11       | ELEC. BOX THERMOSTAT 62°C(6.20 UNITS)  | 300454   | 3.B4      | -Y10  | VALVE ASSY, 2 WAY, 240VAC(W/O CLEANING OPTION) | 300457    | 5.E4     |
|            | ELEC. BOX THERMOSTAT 77°C(10.10 UNITS) | 300459   |           |       | -Y2 VALVE, DEHUMIDIFY                          | -         | 5.E4     |
| -E1        | GEN. HEATING ELEMENT, 9.405KW          | C5017013 | 2.C3      |       | -Y3 VALVE, GEN. FILL                           | -         | 5.E5     |
| -E2        | GEN. HEATING ELEMENT, 6.27KW           | C5017012 | 2.C4      |       | NOISE FILTER (RC)                              | 300407    | 5.E6     |
| -E4        | OVEN HEATING ELEMENT, 18KW             | C5017016 | 2.C6      |       | VALVE ASSY, 3 WAY, 240VAC(CLEANING OPTION)     | 300453    | 5.E4     |
| -F1.1      | FUSE, 2A                               | 300416   | 3.B2      |       | -Y2 VALVE, DEHUMIDIFY                          | -         | 5.E4     |
| -F2.1      | FUSE, 1A                               | 300418   | 5.E3      |       | -Y3 VALVE, GEN. FILL                           | -         | 5.E5     |
| -F10       | FUSE, 10A                              | 300430   | 4.A4      |       | -Y21 VALVE, CLEAN/RINSE                        | -         | 5.E6     |
| -G1        | POWER SUPPLY, 12VDC                    | 300350   | 3.C2      |       | NOISE FILTER (RC)                              | 300407    | 5.E      |
| -H5.1      | OVEN LAMP, 230VAC                      | C5005045 | 5.E3      | -Y20  | PUMP, RINSING AGENT, 230VAC(CLEANING OPTION)   | C5018011  | 5.E7     |
| -K0        | CONTACTOR, 60A (SAFETY)                | 3004391  | 2.E8      | -Y22  | PUMP, CLEANING AGENT, 230VAC(CLEANING OPTION)  | C5018011  | 5.E8     |
|            | FILTER (RC)                            | 300428   |           | -Y23  | PUMP, CLEANING AGENT, 230VAC(CLEANING OPTION)  | C5018011  | 5.E8     |
| -K1,K2     | CONTACTOR, 32A (STEAM)                 | C4011001 | 2.E3,2.E4 |       |  |           |          |
|            | FILTER (RC)                            | C4011004 |           |       |  |           |          |
| -K4        | CONTACTOR, 50A (HOT AIR)               | C4011013 | 2.E6      |       |  |           |          |
|            | FILTER (RC)                            | C4011004 |           |       |  |           |          |
| -K5        | CONTACTOR, 25A (FAN LEFT)              | C4011000 | 3.E4      |       |  |           |          |
|            | FILTER (RC)                            | C4011004 |           |       |  |           |          |
| -K10       | RELAY (HI TEMP LOCK-OUT)               | 300470   | 3.B5      |       |  |           |          |
| -K11       | RELAY (HI TEMP LOCK-OUT)               | 300470   | 3.C5      |       |  |           |          |
| -K44       | CONTACTOR, 50A (HOT AIR)               | C4011013 | 2.E6      |       |  |           |          |
|            | FILTER (RC)                            | C4011004 |           |       |  |           |          |
| -K50       | CONTACTOR, 25A (FAN RIGHT)             | C4011000 | 3.E4      |       |  |           |          |
|            | FILTER (RC)                            | C4011004 |           |       |  |           |          |
| -K55       | CONTACTOR, 25A (FAN FAST)              | C4011000 | 3.E5      |       |  |           |          |
|            | FILTER (RC)                            | C4011004 |           |       |  |           |          |
| -K56       | CONTACTOR, 25A (FAN FAST)              | C4011000 | 3.E6      |       |  |           |          |
|            | FILTER (RC)                            | C4011004 |           |       |  |           |          |
| -K57       | CONTACTOR, 25A (FAN SLOW)              | C4011000 | 3.E6      |       |  |           |          |
|            | FILTER (RC)                            | C4011004 |           |       |  |           |          |



|   |  |  |                        |                              |                 |
|---|--|--|------------------------|------------------------------|-----------------|
| THIS DESIGN DESCRIBES A PROPRIETARY ITEM AND IS THE PROPERTY OF CLEVELAND RANGE.<br>THIS DRAWING IS NOT TO BE COPIED OR USED WITHOUT THE APPROVAL OF CLEVELAND RANGE.<br><b>CLEVELAND RANGE, LLC</b><br>1333 East 179th St., Cleveland, Ohio 44110-2574 | TITLE<br><b>WIRING DIAGRAM</b><br>OEB 6.20/10.10 | VOLTAGE: 3Ø 208-240<br>WATTAGE: 15.8-20.7KW<br>CURRENT: 45.5-51.8A | DRAWN BY<br><b>DRL</b> | DRAWING NO.<br><b>300491</b> | REV<br><b>B</b> |
|   |  |  | DATE<br><b>6-24-05</b> | SIZE<br><b>B</b>             | SHEET 1 OF 7    |

# WIRING DIAGRAM



THIS DESIGN DESCRIBES A PROPRIETARY ITEM AND IS THE PROPERTY OF CLEVELAND RANGE. THIS DRAWING IS NOT TO BE COPIED OR USED WITHOUT THE APPROVAL OF CLEVELAND RANGE.

**CLEVELAND RANGE, LLC**  
1333 East 179th St., Cleveland, Ohio 44110-2574

TITLE  
**WIRING DIAGRAM**  
OEB 6.20/10.10

VOLTAGE: 3Ø 208-240  
WATTAGE: 15.8-20.7KW  
CURRENT: 45.5-51.8A

DRAWN BY  
**DRL**

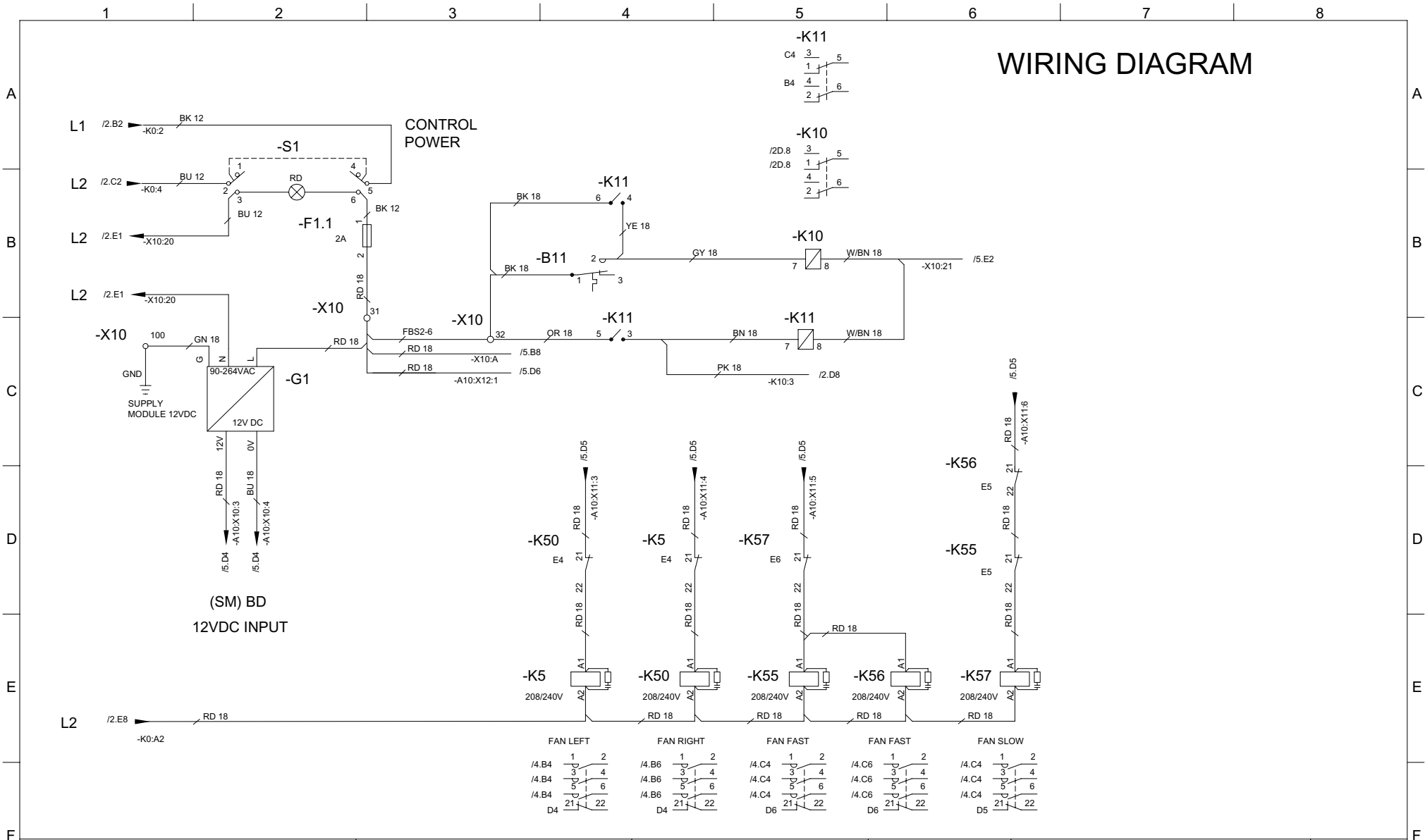
DATE  
**6-24-05**

DRAWING NO.  
**300491**

SIZE  
**B**

REV  
**B**

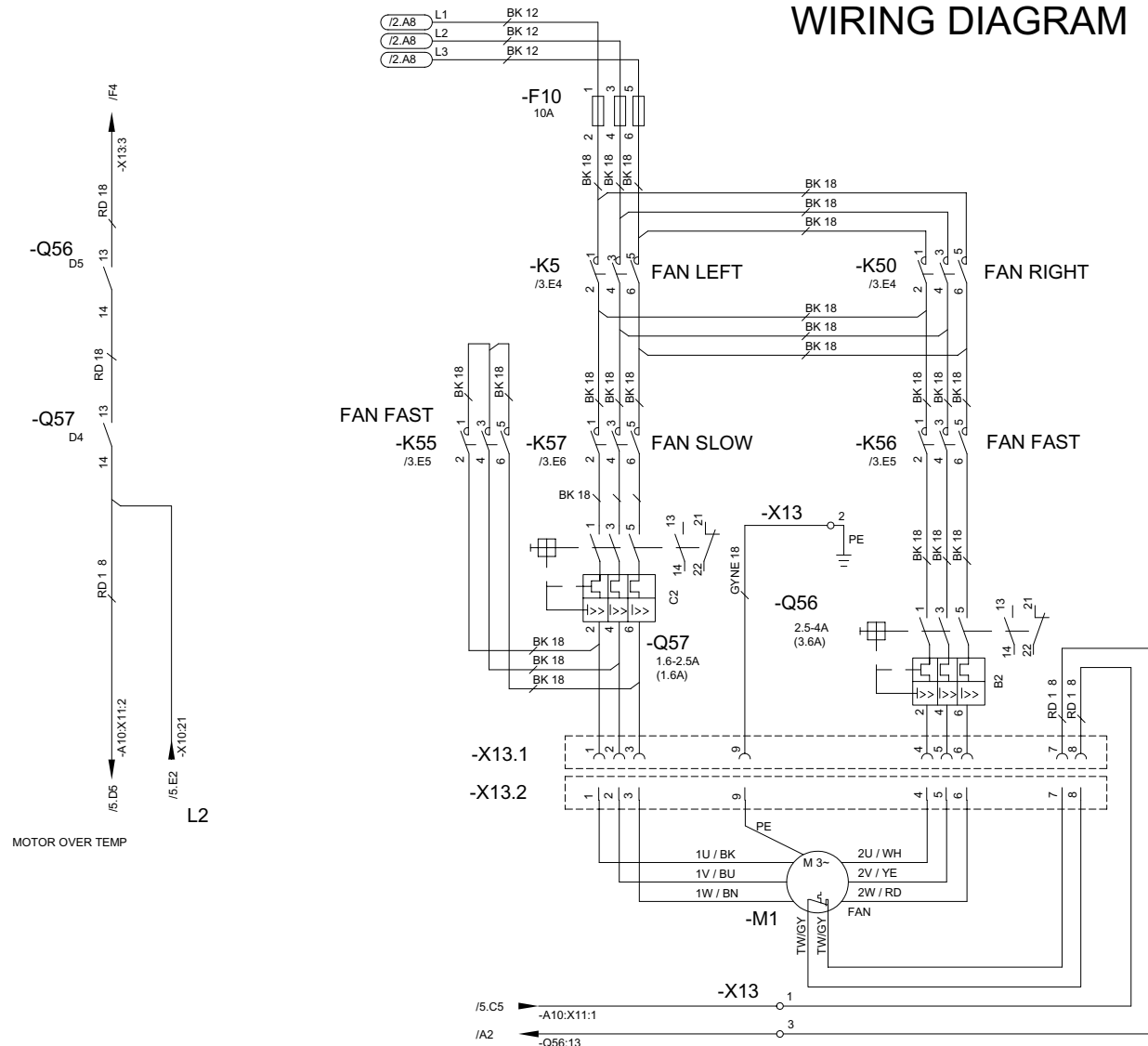
SHEET 2 OF 7



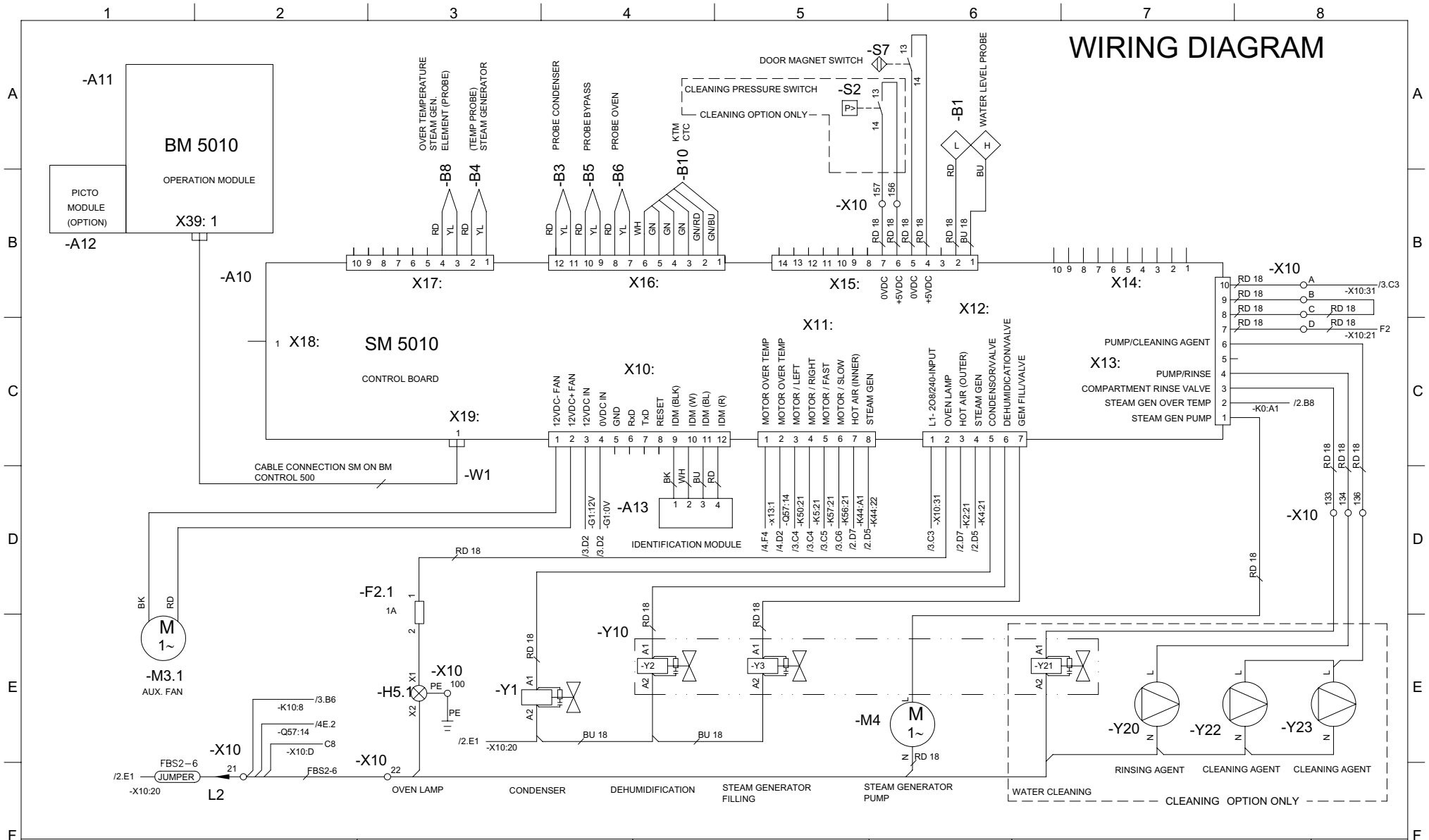
|   |  |                                  |  |                 |                       |              |
|---|--|----------------------------------|--|-----------------|-----------------------|--------------|
| THIS DESIGN DESCRIBES A PROPRIETARY ITEM AND IS THE PROPERTY OF CLEVELAND RANGE.<br>THIS DRAWING IS NOT TO BE COPIED OR USED WITHOUT THE APPROVAL OF CLEVELAND RANGE. |  | TITLE                            | VOLTAGE: 3Ø 208-240<br>WATTAGE: 15.8-20.7KW<br>CURRENT: 45.5-51.8A | DRAWN BY<br>DRL | DRAWING NO.<br>300491 | REV<br>B     |
| CLEVELAND RANGE, LLC<br>1333 East 179th St., Cleveland, Ohio 44110-2574   |  | WIRING DIAGRAM<br>OEB 6.20/10.10 |  | DATE<br>6-24-05 | SIZE<br>B             | SHEET 3 OF 7 |



# WIRING DIAGRAM



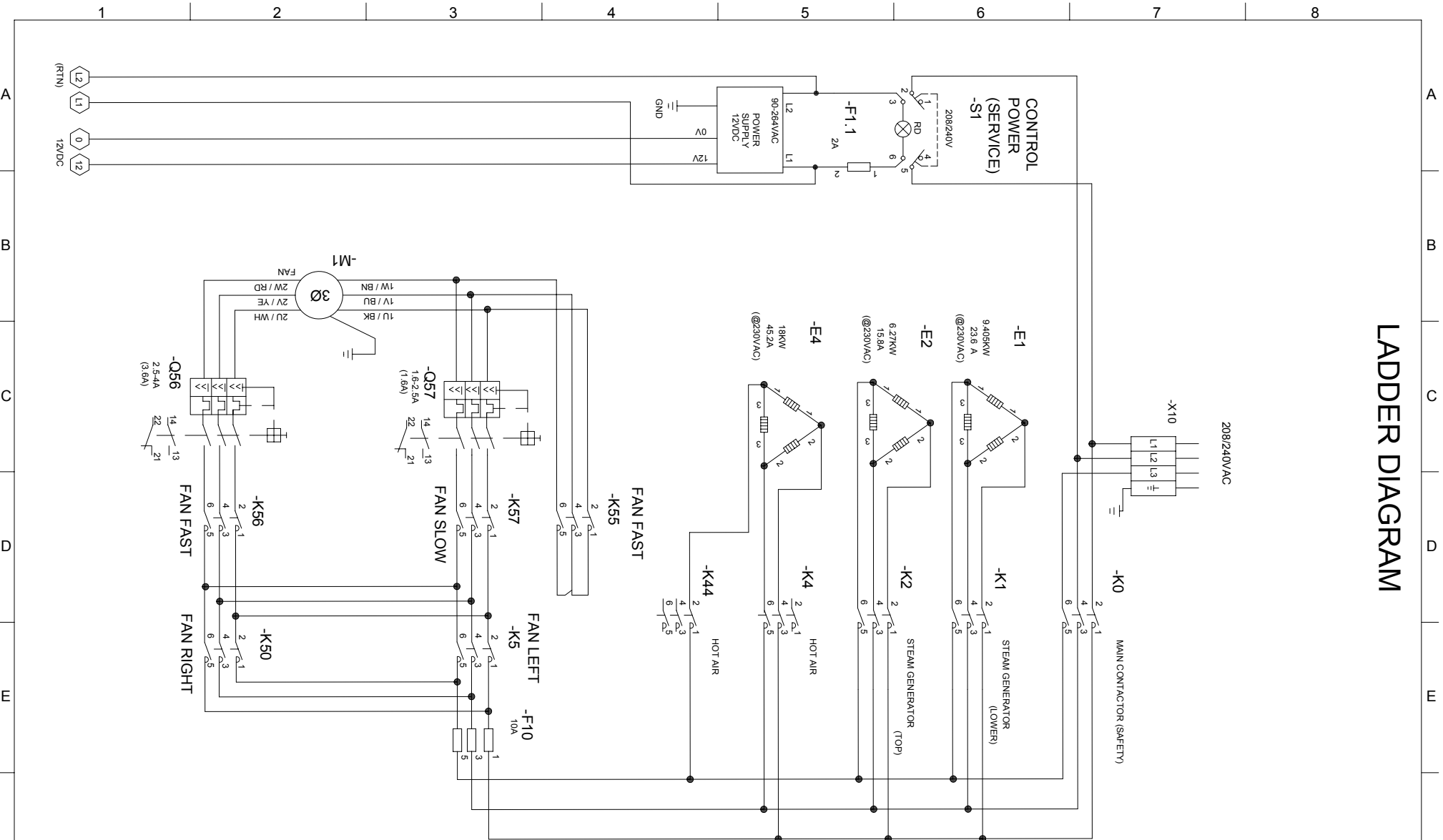
|   |  |  |                                    |                                    |                          |
|---|--|--|------------------------------------|------------------------------------|--------------------------|
| THIS DESIGN DESCRIBES A PROPRIETARY ITEM AND IS THE PROPERTY OF CLEVELAND RANGE.<br>THIS DRAWING IS NOT TO BE COPIED OR USED WITHOUT THE APPROVAL OF CLEVELAND RANGE. | TITLE<br><b>WIRING DIAGRAM</b><br>OEB 6.20/10.10 | VOLTAGE: 3Ø 208-240<br>WATTAGE: 15.8-20.7KW<br>CURRENT: 45.5-51.8A | DRAWN BY<br>DRL<br>DATE<br>6-24-05 | DRAWING NO.<br>300491<br>SIZE<br>B | REV<br>B<br>SHEET 4 OF 7 |
|---|--|--|------------------------------------|------------------------------------|--------------------------|



# WIRING DIAGRAM

|   |   |   |                     |   |                           |                     |              |
|---|---|---|---------------------|---|---------------------------|---------------------|--------------|
| THIS DESIGN DESCRIBES A PROPRIETARY ITEM AND IS THE PROPERTY OF CLEVELAND RANGE.<br>THIS DRAWING IS NOT TO BE COPIED OR USED WITHOUT THE APPROVAL OF CLEVELAND RANGE.<br><b>CLEVELAND RANGE, LLC</b><br>1333 East 179th St., Cleveland, Ohio 44110-2574 | <b>WIRING DIAGRAM</b><br>OEB 6.20/10.10 | <b>VOLTAGE:</b> 3Ø 208-240<br><b>WATTAGE:</b> 15.8-20.7KW<br><b>CURRENT:</b> 45.5-51.8A | <b>DRAWN BY</b> DRL |   | <b>DRAWING NO.</b> 300491 |                     | <b>REV</b> B |
|   |   |   | <b>DATE</b> 6-24-05 |   | <b>SIZE</b> B             | <b>SHEET 5 OF 7</b> |              |
|   |   |   | 1                   | 2 | 3                         | 4                   | 5            |

# LADDER DIAGRAM



THIS DESIGN DESCRIBES A PROPRIETARY ITEM AND IS THE PROPERTY OF CLEVELAND RANGE.  
THIS DRAWING IS NOT TO BE COPIED OR USED WITHOUT THE APPROVAL OF CLEVELAND RANGE.

**CLEVELAND RANGE, LLC**  
1333 East 179th St., Cleveland, Ohio 44110-2574

TITLE  
**WIRING DIAGRAM**  
OEB 6.20/10.10

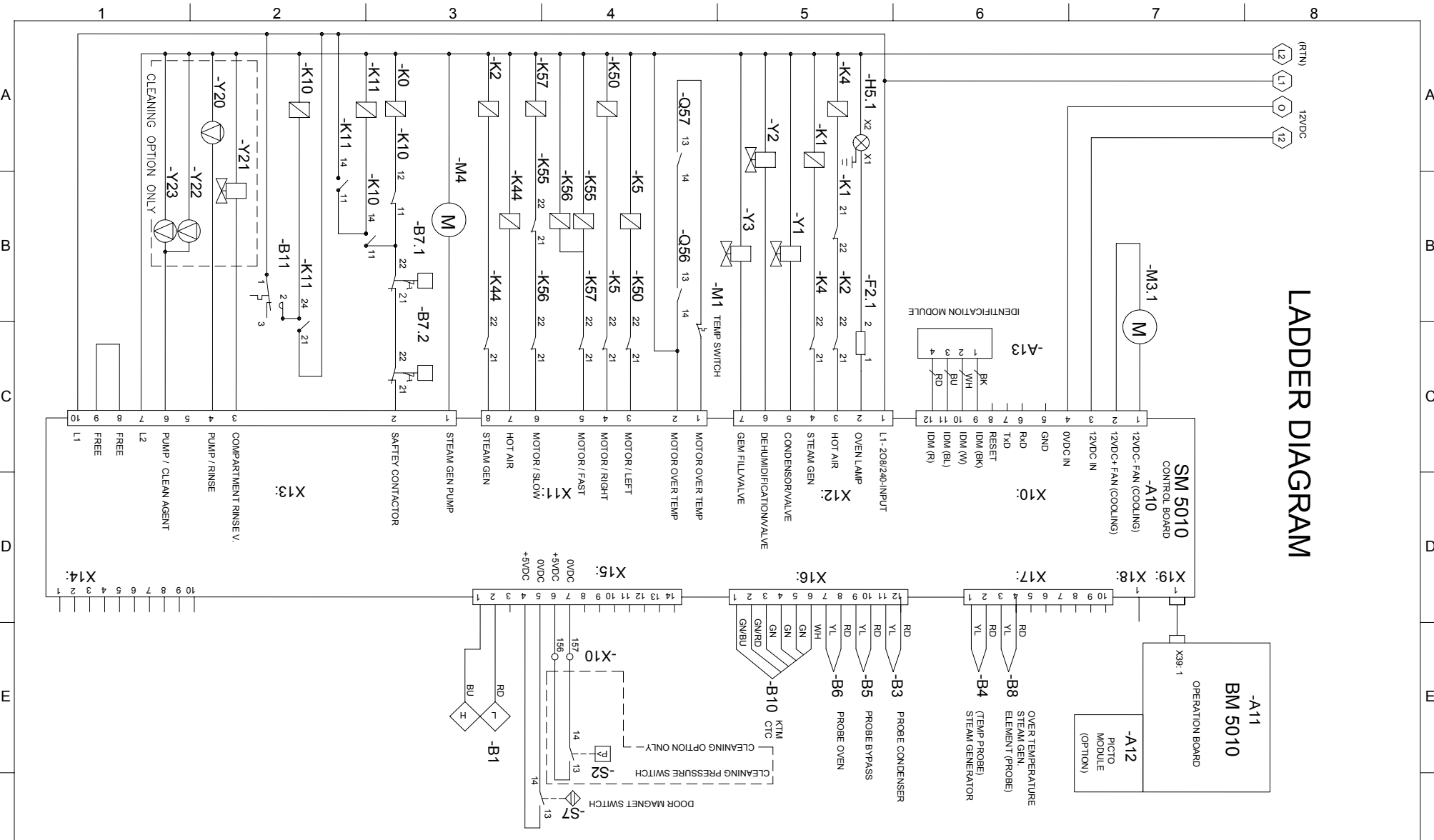
VOLTAGE: 3Ø 208-240  
WATTAGE: 15.8-20.7KW  
CURRENT: 45.5-51.8A

DRAWN BY: DRL  
DATE: 6-24-05

DRAWING NO.: 300491  
SIZE: B  
SHEET 6 OF 7

REV: B

# LADDER DIAGRAM



THIS DESIGN DESCRIBES A PROPRIETARY ITEM AND IS THE PROPERTY OF CLEVELAND RANGE. THIS DRAWING IS NOT TO BE COPIED OR USED WITHOUT THE APPROVAL OF CLEVELAND RANGE.

**CLEVELAND RANGE, LLC**  
1333 East 179th St., Cleveland, Ohio 44110-2574

TITLE  
**WIRING/LADDER DIAGRAM**  
OEB 6.20/10.10

VOLTAGE: 3Ø 208-240  
WATTAGE: 15.8-20.7KW  
CURRENT: 45.5-51.8A

DRAWN BY: DRL  
DATE: 6-24-05

DRAWING NO.: 300491  
SIZE: B  
SHEET 7 OF 7

REV: B

## CLEVELAND RANGE OES 6.20/10.10 SEQUENCE OF OPERATIONS

*When using these instructions refer to the OES 6.20/10.10 wiring schematic.*

- 1 When incoming power (220 VAC) is connected to the combi, 220 VAC is sent to
  - a The contacts 2,4 and 6 of the Safety Contactor (KO)
  - b The terminals 2 and 5 of the Control Power Switch (S1)
- 2 When the Control Power Switch (S1) is turned on (closed)
  - a The red light on the switch is energized.
  - b Incoming power (220 VAC) is sent through the 2A fuse (F1.1) to
    - The 12 vdc power supply (G1)
      - ◊ 12vdc is sent to terminals 3 and 4 of the connector X10 on the Control Board (A10)
    - Terminal 1 of connector X12 on the Control Board (A10)
    - Terminal 10 of connector X13 on the Control Board (A10)
    - The return of the Supply is sent to terminal 7 of connector X13 on the Control Board (A10)
  - c With 220 VAC to the Control Board (A10) The Operation Board (A11) is energized
    - An alarm will sound for one second
    - All the LED's and the display will energize one at a time.
    - "STARTING" will be displayed for 3 seconds
    - "please wait" will be displayed
    - The international model number will be displayed
    - The time and date will be displayed and this will continue until the on/off switch is depressed.
- 3 When the ON/OFF is depressed with the combi in the steam mode
  - a The display will show the set temperature and set time when the flush cycle is complete.
- 4 With the combi in the steam mode with time on the timer, the door closed and the start switch is depressed
  - a The front display will include a lighted bar under the steam symbol
    - When the heat circuit is energized the heat symbol will be energized
    - The cooking mode symbol will be energized.
    - The time display will invert and begin to count down.
  - b The fan circuit is energized
    - If the combi fan is in the normal setting 220 VAC is sent from terminal 5 on connector X11 through the normally closed auxiliary contacts of contactor K57 to the coils of contactors K55 and K56
      - ◊ The K55 and K56 contactors close sending 220 VAC through the Q56 overload to the motor and the motor turns at a high speed.
      - ◊ The normally closed auxiliary contacts of both K55 and K56 open preventing the K57 contactor from energizing.

- If the combi fan is in the reduced setting 220 VAC is sent from terminal 6 on connector X11 through the normally closed auxiliary contacts of contactors K55 and K56 to the coil of contactor K57
    - ◊ The K57 contactor closes Sending 220 VAC through the Q57 thermal overload to the motor and the motor turns at a reduced speed.
    - ◊ The normally closed auxiliary contacts of K57 open preventing the K55 and K56 contactors from energizing.
  - For the first 2 minutes 220 VAC is sent from terminal 4 on connector X11 through the normally closed auxiliary contacts of contactor K5 to the K50 contactor coil
    - ◊ K50 contactor closes and the motor turns CW
    - ◊ The normally closed auxiliary contacts on K50 open preventing the K5 contactor from energizing.
  - For 15 seconds the motor is de-energized and allowed to coast.
  - For the next 2 minutes 220 VAC is sent from terminal 3 on connector X11 through the normally closed auxiliary contacts of contactor K50 to the K5 contactor coil
    - ◊ K5 contactor closes and the motor turns CCW
    - ◊ The normally closed auxiliary contacts on K5 open preventing the K50 contactor from energizing.
  - **NOTE:** If the door switch (S7) opens by the door opening, then the fan circuit is de-energized. Then the motor will be pulsed in the opposite direction to “break” the fan. This is to stop the fan quicker for the operator.
- c The hot air heat circuit is energized
- 220 VAC is sent from terminal 3 of connector X12 on the Control Board (A10) through the normally closed auxiliary contacts of K2 and K1 to the coil of Contactor K4 until the cabinet reaches the set temperature as sensed at probe B6.
    - ◊ The contactor K4 closes and to legs of the 220 VAC is sent to the 18 KW element (E4)
  - 220 VAC is sent from terminal 7 of connector X11 on the Control Board (A10) to the coil of Contactor K44 until the cabinet reaches the set temperature.
    - ◊ The contactor K44 closes and the third leg of 220 VAC is sent to the 18 KW element (E4)
    - ◊ If the reduced power option is chosen then the K44 Contactor is not energized.
- d The steam circuit is energized
- 220 VAC is sent from terminal 4 of connector X12 on the Control Board (A10) to the coil of the Y3 solenoid allowing water to be thrown against the element until the bypass probe (B5) senses 183 degrees F.
  - **NOTE:** If the set temperature is above 212 degrees F the hot air circuit will be energized (after the by pass probe is satisfied) until the compartment setting is reached.

- e When the condensate box is heated to 140 degrees F at the B3 probe, 220 VAC is sent from terminal 5 of connector X12 to the condenser valve (Y1) until the temperature drops.
  - f When the timer counts to 0 or the core temp probe (B10) reaches the set amount the cycle ends.
- 5 With the combi in the Hot Air mode with time on the timer, the door closed and the start switch is depressed
- a The front display will include a lighted bar under the Hot Air symbol
    - When the heat circuit is energized the heat symbol will be energized
    - The cooking mode symbol will be energized.
    - The time display will invert and begin to count down.
  - b The fan circuit is energized
    - **NOTE:** If the temperature is less than 212 degrees F than fan will be pulsed on for 2 seconds every 60 seconds after the cabinet set temp (B6)
    - If the combi fan is in the normal setting 220 VAC is sent from terminal 5 on connector X11 through the normally closed auxiliary contacts of contactor K57 to the coils of contactors K55 and K56
      - ◇ The K55 and K56 contactors close sending 220 VAC through the Q56 overload to the motor and the motor turns at a high speed.
      - ◇ The normally closed auxiliary contacts of both K55 and K56 open preventing the K57 contactor from energizing.
    - If the combi fan is in the reduced setting 220 VAC is sent from terminal 6 on connector X11 through the normally closed auxiliary contacts of contactors K55 and K56 to the coil of contactor K57
      - ◇ The K57 contactor closes Sending 220 VAC through the Q57 thermal overload to the motor and the motor turns at a reduced speed.
      - ◇ The normally closed auxiliary contacts of K57 open preventing the K55 and K56 contactors from energizing.
    - For the first 2 minutes 220 VAC is sent from terminal 4 on connector X11 through the normally closed auxiliary contacts of contactor K5 to the K50 contactor coil
      - ◇ K50 contactor closes and the motor turns CW
      - ◇ The normally closed auxiliary contacts on K50 open preventing the K5 contactor from energizing.
    - For 15 seconds the motor is de-energized and allowed to coast.
    - For the next 2 minutes 220 VAC is sent from terminal 3 on connector X11 through the normally closed auxiliary contacts of contactor K50 to the K5 contactor coil
      - ◇ K5 contactor closes and the motor turns CCW
      - ◇ The normally closed auxiliary contacts on K5 open preventing the K50 contactor from energizing.
    - **NOTE:** If the door switch (S7) opens by the door opening, then the fan circuit is de-energized. Then the motor will be pulsed in the opposite direction to “break” the fan. This is to stop the fan quicker for the operator.
  - c The hot air heat circuit is energized

- 220 VAC is sent from terminal 3 of connector X12 on the Control Board (A10) through the normally closed auxiliary contacts of K2 and K1 to the coil of Contactor K4 until the cabinet reaches the set temperature as sensed at probe B6.
  - ◇ The contactor K4 closes and two legs of the 220 VAC is sent to the 18 KW element (E4)
- 220 VAC is sent from terminal 7 of connector X11 on the Control Board (A10) to the coil of Contactor K44 until the cabinet reaches the set temperature.
  - ◇ The contactor K44 closes and the third leg of 220 VAC is sent to the 18 KW element (E4)
  - ◇ If the reduced power option is chosen then the K44 Contactor is not energized.
- d When the condensate box is heated to 140 degrees F at the B3probe, 220 VAC is sent from terminal 5 of connector X12 to the condenser valve (Y1) until the temperature drops.
- e If the “Crisp and Tasty” mode is selected
  - 220 VAC is sent from terminal 6 of connector X12 on the Control Board (A10) to the Dehumidification Valve (Y2) to pull the humidity out of the cabinet down the drain.
    - ◇ In the light and medium modes (one and two drops in the display) the Y2 valve will be energized until the bypass probe (B5) is satisfied.
    - ◇ In the full mode (3 drops in the display) the Y2 valve will be energized continuously.
- f When the timer counts to 0 or the core temp probe (B10) reaches the set amount the cycle ends and the steam generator reverts to the standby temperature of 190-degree F.
- 6 With the combi in the Combi mode with time on the timer, the door closed and the start switch is depressed
  - a The front display will include a lighted bar under the combi symbol
    - When the heat circuit is energized the heat symbol will be energized
    - The cooking mode symbol will be energized.
    - The time display will invert and begin to count down.
  - b The fan circuit is energized
    - If the combi fan is in the normal setting 220 VAC is sent from terminal 5 on connector X11 through the normally closed auxiliary contacts of contactor K57 to the coils of contactors K55 and K56
      - ◇ The K55 and K56 contactors close sending 220 VAC through the Q56 overload to the motor and the motor turns at a high speed.
      - ◇ The normally closed auxiliary contacts of both K55 and K56 open preventing the K57 contactor from energizing.
    - If the combi fan is in the reduced setting 220 VAC is sent from terminal 6 on connector X11 through the normally closed auxiliary contacts of contactors K55 and K56 to the coil of contactor K57



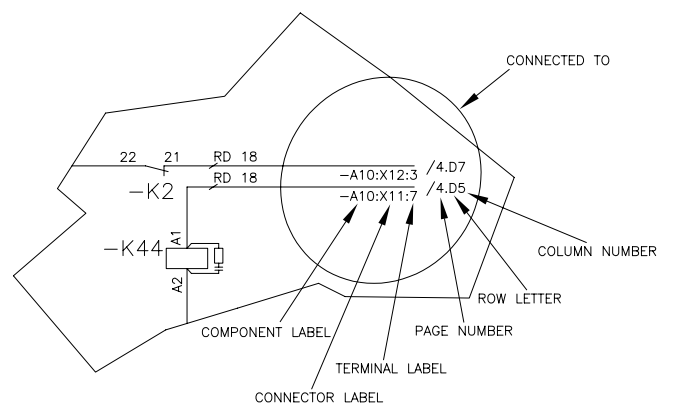
- ◇ The K57 contactor closes Sending 220 VAC through the Q57 thermal overload to the motor and the motor turns at a reduced speed.
- ◇ The normally closed auxiliary contacts of K57 open preventing the K55 and K56 contactors from energizing.
- For the first 2 minutes 220 VAC is sent from terminal 4 on connector X11 through the normally closed auxiliary contacts of contactor K5 to the K50 contactor coil
  - ◇ K50 contactor closes and the motor turns CW
  - ◇ The normally closed auxiliary contacts on K50 open preventing the K5 contactor from energizing.
- For 15 seconds the motor is de-energized and allowed to coast.
- For the next 2 minutes 220 VAC is sent from terminal 3 on connector X11 through the normally closed auxiliary contacts of contactor K50 to the K5 contactor coil
  - ◇ K5 contactor closes and the motor turns CCW
  - ◇ The normally closed auxiliary contacts on K5 open preventing the K50 contactor from energizing.
- **NOTE:** If the door switch (S7) opens by the door opening, then the fan circuit is de-energized. Then the motor will be pulsed in the opposite direction to “break” the fan. This is to stop the fan quicker for the operator.
- c The hot air heat circuit is energized
  - 220 VAC is sent from terminal 3 of connector X12 on the Control Board (A10) through the normally closed auxiliary contacts of K2 and K1 to the coil of Contactor K4 until the cabinet reaches the set temperature as sensed at probe B6.
    - ◇ The contactor K4 closes and to legs of the 220 VAC is sent to the 18 KW element (E4)
  - 220 VAC is sent from terminal 7 of connector X11 on the Control Board (A10) to the coil of Contactor K44 until the cabinet reaches the set temperature.
    - ◇ The contactor K44 closes and the third leg of 220 VAC is sent to the 18 KW element (E4)
    - ◇ If the reduced power option is chosen then the K44 Contactor is not energized.
- d The steam circuit is energized
  - 220 VAC is sent from terminal 4 of connector X12 on the Control Board (A10) to the coil of the Y3 solenoid allowing water to be thrown against the element until the bypass probe (B5) senses 183 degrees F.
- e When the condensate box is heated to 140 degrees F at the B3probe, 220 VAC is sent from terminal 5 of connector X12 to the condenser valve (Y1) until the temperature drops.
- f If the “Crisp and Tasty” mode is selected
  - 220 VAC is sent from terminal 6 of connector X12 on the Control Board (A10) to the Dehumidification Valve (Y2) to pull the humidity out of the cabinet down the drain.

- ◇ In the light and medium modes (one and two drops in the display) the Y2 valve will be energized until the bypass probe (B5) is satisfied.
    - ◇ In the full mode (3 drops in the display) the Y2 valve will be energized continuously.
  - g When the timer counts to 0 or the core temp probe (B10) reaches the set amount the cycle ends.
- 7 With the combi in the Rethermalization mode with time on the timer, the door closed and the start switch is depressed
  - a The front display will include a lighted bar under the Rethermalization symbol
    - When the heat circuit is energized the heat symbol will be energized
    - The cooking mode symbol will be energized.
    - The time display will invert and begin to count down.
  - b The fan circuit is energized
    - If the combi fan is in the normal setting 220 VAC is sent from terminal 5 on connector X11 through the normally closed auxiliary contacts of contactor K57 to the coils of contactors K55 and K56
      - ◇ The K55 and K56 contactors close sending 220 VAC through the Q56 overload to the motor and the motor turns at a high speed.
      - ◇ The normally closed auxiliary contacts of both K55 and K56 open preventing the K57 contactor from energizing.
    - If the combi fan is in the reduced setting 220 VAC is sent from terminal 6 on connector X11 through the normally closed auxiliary contacts of contactors K55 and K56 to the coil of contactor K57
      - ◇ The K57 contactor closes Sending 220 VAC through the Q57 thermal overload to the motor and the motor turns at a reduced speed.
      - ◇ The normally closed auxiliary contacts of K57 open preventing the K55 and K56 contactors from energizing.
    - For the first 2 minutes 220 VAC is sent from terminal 4 on connector X11 through the normally closed auxiliary contacts of contactor K5 to the K50 contactor coil
      - ◇ K50 contactor closes and the motor turns CW
      - ◇ The normally closed auxiliary contacts on K50 open preventing the K5 contactor from energizing.
    - For 15 seconds the motor is de-energized and allowed to coast.
    - For the next 2 minutes 220 VAC is sent from terminal 3 on connector X11 through the normally closed auxiliary contacts of contactor K50 to the K5 contactor coil
      - ◇ K5 contactor closes and the motor turns CCW
      - ◇ The normally closed auxiliary contacts on K5 open preventing the K50 contactor from energizing.
    - **NOTE:** If the door switch (S7) opens by the door opening, then the fan circuit is de-energized. Then the motor will be pulsed in the opposite direction to “break” the fan. This is to stop the fan quicker for the operator.
  - c The hot air heat circuit is energized

- 220 VAC is sent from terminal 3 of connector X12 on the Control Board (A10) through the normally closed auxiliary contacts of K2 and K1 to the coil of Contactor K4 until the cabinet reaches the set temperature as sensed at probe B6.
    - ◊ The contactor K4 closes and two legs of the 220 VAC is sent to the 18 KW element (E4)
  - 220 VAC is sent from terminal 7 of connector X11 on the Control Board (A10) to the coil of Contactor K44 until the cabinet reaches the set temperature.
    - ◊ The contactor K44 closes and the third leg of 220 VAC is sent to the 18 KW element (E4)
    - ◊ If the reduced power option is chosen then the K44 Contactor is not energized.
- d The steam circuit is energized.
- 220 VAC is sent from terminal 4 of connector X12 on the Control Board (A10) to the coil of the Y3 solenoid allowing water to be thrown against the element until the bypass probe (B5) senses 154 degrees F.
- e When the condensate box is heated to 140 degrees F at the B3probe, 220 VAC is sent from terminal 5 of connector X12 to the condenser valve (Y1) until the temperature drops.
- f When the timer counts to 0 or the core temp probe (B10) reaches the set amount the cycle ends and the steam generator reverts to the standby temperature of 190-degree F.

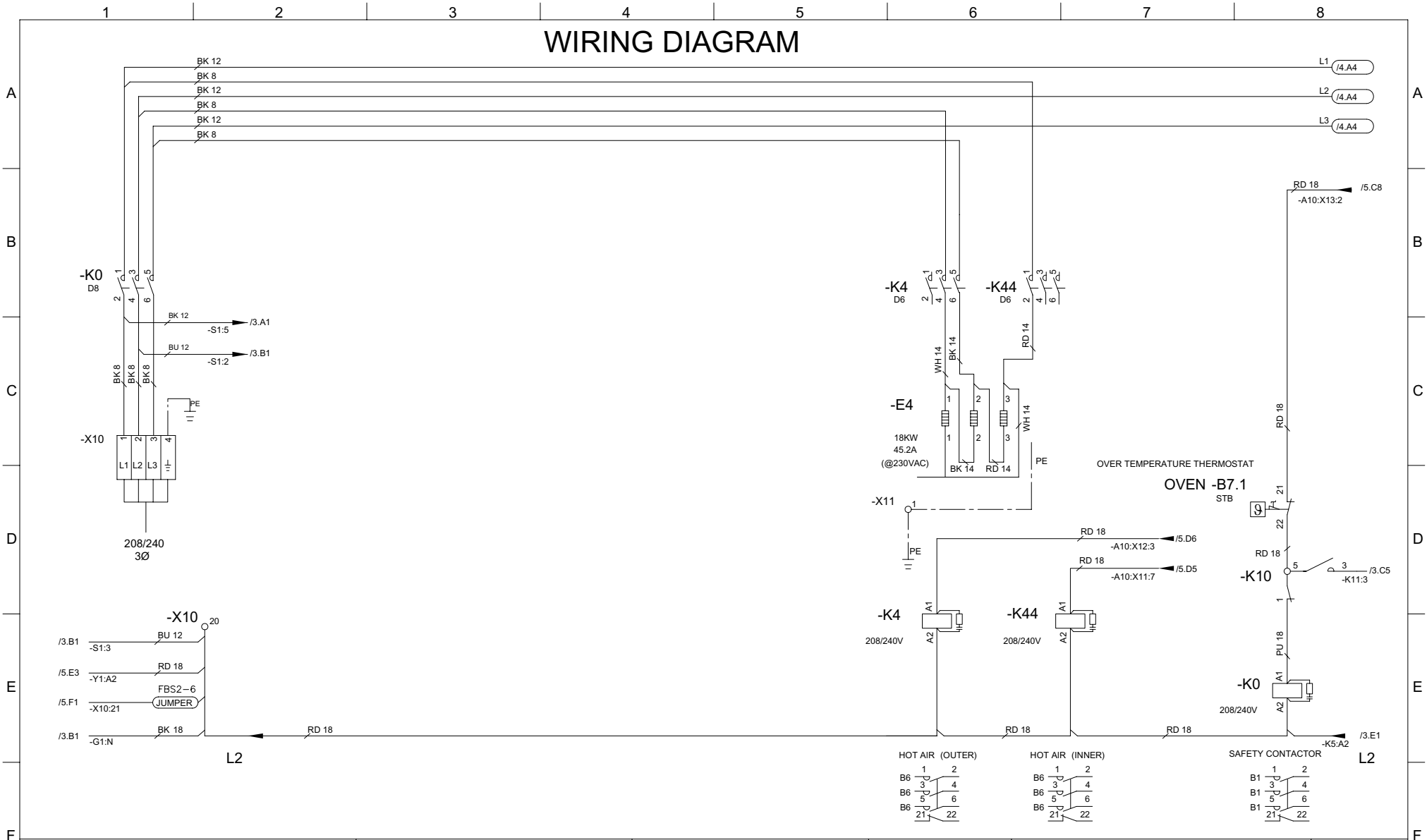
| PARTS LIST |  |          |          |       |  |           |          |
|------------|--|----------|----------|-------|--|-----------|----------|
| LABEL      | DESCRIPTION                            | PART NO. | LOCATION | LABEL | DESCRIPTION                                    | PART NO.  | LOCATION |
| -A10       | CONTROL BOARD (SM 5010)                | C5019100 | 5        | -M1   | MOTOR, OVEN FAN                                | C50180041 | 4.E5     |
| -A11       | OPERATION BOARD (BM 5010)              | C5019101 | 5        | -M3.1 | COOLING FAN                                    | C5018023  | 5.E1     |
| -A12       | PICTO MODULE (OPTION)                  | C5019105 | 5.B1     | -Q56  | MOTOR STARTER, 2.5-4A                          | 300458    | 4.D6     |
| -A13       | I.D. MODULE                            | C5019102 | 5.D4     |       | AUX. CONTACTS                                  | 300477    |          |
| -B3        | CONDENSOR PROBE                        | C5016006 | 5.A4     | -Q57  | MOTOR STARTER, 1.6-2.5A                        | 300426    | 4.D4     |
| -B5        | BYPASS PROBE                           | C5016006 | 5.A4     |       | AUX. CONTACTS                                  | 300477    |          |
| -B6        | OVEN PROBE                             | C5016006 | 5.A4     | -S1   | SWITCH, CONTROL POWER                          | 300358    | 3.A2     |
| -B7.1      | OVEN HI-TEMP THERMOSTAT                | C5001041 | 2.D8     | -S2   | PRESSUR SWITCH (PUMP)                          | C5009055  | 5.A5     |
| -B10       | CORE TEMP. PROBE (KTM CTC)             | C5013000 | 4.A4     | -S3   | PRESSURE SWITCH (INJECT.)                      | C5009063  | 5.A6     |
| -B11       | ELEC. BOX THERMOSTAT 62°C(6.20 UNITS)  | 300454   | 3.B4     | -S7   | DOOR SWITCH                                    | C5003075  | 5.A6     |
|            | ELEC. BOX THERMOSTAT 77°C(10.10 UNITS) | 300459   | 3.B4     | -W1   | CABLE, 9 PIN COM.                              | C5009304  | 5.C3     |
| -E4        | OVEN HEATING ELEMENT, 18KW             | C5017016 | 2.C6     | -Y1   | VALVE, CONDENSER, 240VAC                       | 300362    | 5.E4     |
| -F1.1      | FUSE, 2A                               | 300416   | 3.B2     |       | NOISE FILTER (RC)                              |           | 5.E4     |
| -F2.1      | FUSE, 1A                               | 300418   | 5.E3     | -Y10  | VALVE ASSY, 2 WAY, 240VAC(W/O CLEANING OPTION) | 300457    | 5.E4     |
| -F10       | FUSE, 10A                              | 300430   | 4.A4     |       | -Y2 VALVE, DEHUMIDIFY                          | -         | 5.E4     |
| -G1        | POWER SUPPLY, 12VDC                    | 300350   | 3.C2     |       | -Y3 VALVE, INJECTION                           | -         |          |
| -H5.1      | OVEN LAMP, 230VAC                      | C5005045 | 5.E3     |       | NOISE FILTER (RC)                              | 300407    |          |
| -K0        | CONTACTOR, 60A (SAFETY)                | 3004391  | 2.E8     |       | VALVE ASSY, 3 WAY, 240VAC(CLEANING OPTION)     | 300453    | 5.E4     |
|            | FILTER (RC)                            | 300428   |          |       | -Y2 VALVE, DEHUMIDIFY                          | -         | 5.E4     |
| -K4        | CONTACTOR, 50A (HOT AIR)               | C4011013 | 2.E6     |       | -Y3 VALVE, INJECTION                           | -         | 5.E5     |
|            | FILTER (RC)                            | C4011004 |          |       | -Y21 VALVE, CLEAN/RINSE                        | -         | 5.E6     |
| -K5        | CONTACTOR, 25A (FAN LEFT)              | C4011000 | 3.E4     |       | NOISE FILTER (RC)                              | 300407    | 5.E      |
|            | FILTER (RC)                            | C4011004 |          | -Y20  | PUMP, RINSING AGENT, 230VAC(CLEANING OPTION)   | C5018011  | 5.E7     |
| -K10       | RELAY (HI TEMP LOCK-OUT)               | 300470   | 3.B5     | -Y22  | PUMP, CLEANING AGENT, 230VAC(CLEANING OPTION)  | C5018011  | 5.E8     |
| -K11       | RELAY (HI TEMP LOCK-OUT)               | 300470   | 3.C5     | -Y23  | PUMP, CLEANING AGENT, 230VAC(CLEANING OPTION)  | C5018011  | 5.E8     |
| -K44       | CONTACTOR, 50A (HOT AIR)               | C4011013 | 2.E6     |       |  |           |          |
|            | FILTER (RC)                            | C4011004 |          |       |  |           |          |
| -K50       | CONTACTOR, 25A (FAN RIGHT)             | C4011000 | 3.E4     |       |  |           |          |
|            | FILTER (RC)                            | C4011004 |          |       |  |           |          |
| -K55       | CONTACTOR, 25A (FAN FAST)              | C4011000 | 3.E5     |       |  |           |          |
|            | FILTER (RC)                            | C4011004 |          |       |  |           |          |
| -K56       | CONTACTOR, 25A (FAN FAST)              | C4011000 | 3.E6     |       |  |           |          |
|            | FILTER (RC)                            | C4011004 |          |       |  |           |          |
| -K57       | CONTACTOR, 25A (FAN SLOW)              | C4011000 | 3.E6     |       |  |           |          |
|            | FILTER (RC)                            | C4011004 |          |       |  |           |          |

CONNECTION NUMBERING EXAMPLE



|   |  |  |                        |                              |              |                 |
|---|--|--|------------------------|------------------------------|--------------|-----------------|
| <small>THIS DESIGN DESCRIBES A PROPRIETARY ITEM AND IS THE PROPERTY OF CLEVELAND RANGE. THIS DRAWING IS NOT TO BE COPIED OR USED WITHOUT THE APPROVAL OF CLEVELAND RANGE.</small><br><b>CLEVELAND RANGE, LLC</b><br>1333 East 179th St., Cleveland, Ohio 44110-2574 | TITLE<br><b>WIRING DIAGRAM</b><br>OES 6.20/10.10 | VOLTAGE: 3Ø 208-240<br>WATTAGE: 15.8-20.7KW<br>CURRENT: 45.5-51.8A | DRAWN BY<br><b>DRL</b> | DRAWING NO.<br><b>300492</b> |              | REV<br><b>A</b> |
|   |  |  | DATE<br><b>7-14-05</b> | SIZE<br><b>B</b>             | SHEET 1 OF 7 |                 |

# WIRING DIAGRAM



THIS DESIGN DESCRIBES A PROPRIETARY ITEM AND IS THE PROPERTY OF CLEVELAND RANGE. THIS DRAWING IS NOT TO BE COPIED OR USED WITHOUT THE APPROVAL OF CLEVELAND RANGE.

**CLEVELAND RANGE, LLC**  
1333 East 179th St., Cleveland, Ohio 44110-2574

TITLE

WIRING DIAGRAM  
OES 6.20/10.10

VOLTAGE: 3Ø 208-240  
WATTAGE: 15.8-20.7KW  
CURRENT: 45.5-51.8A

DRAWN BY

DRL

DATE

7-14-05

DRAWING NO.

300492

SIZE

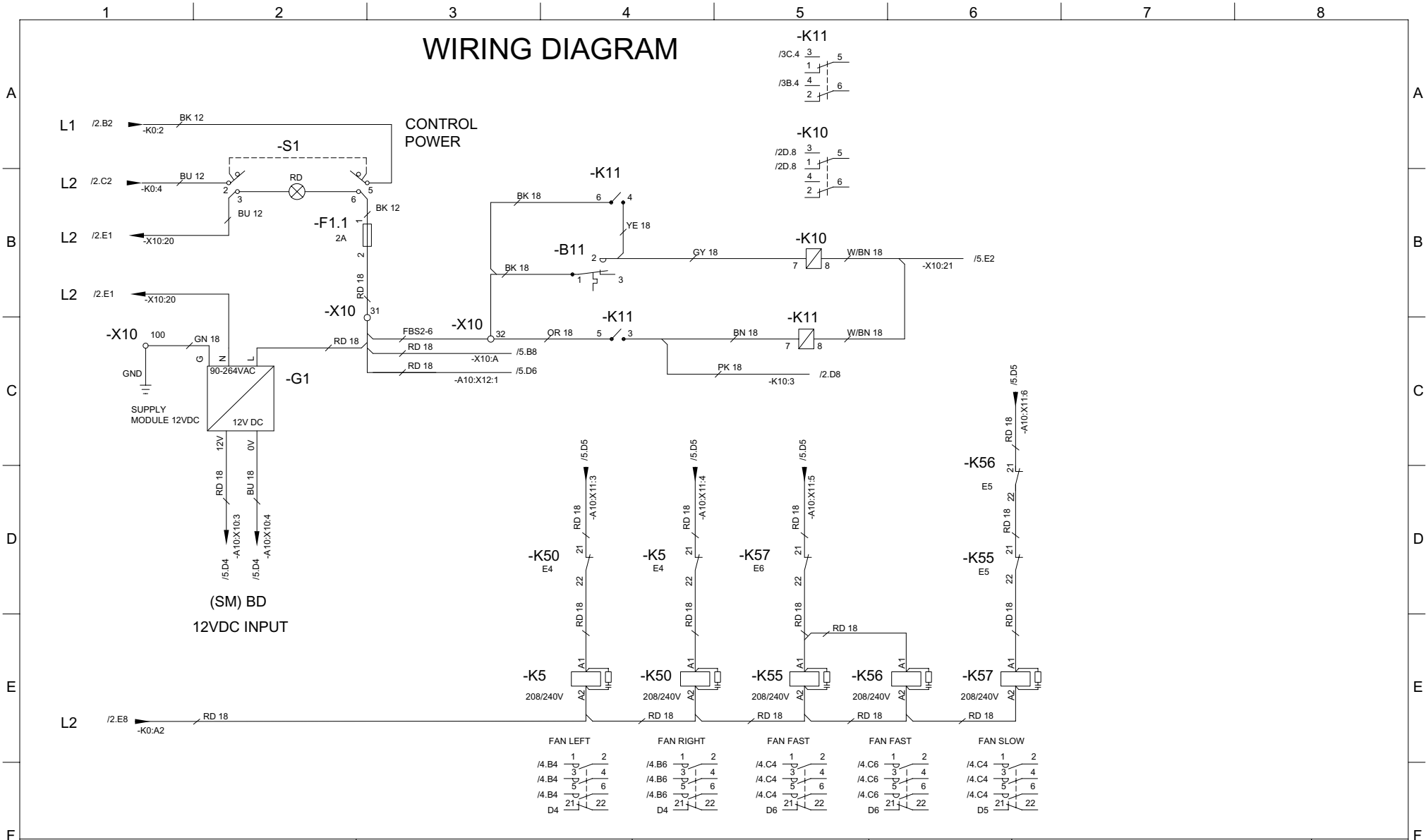
B

SHEET 2 OF 7

REV

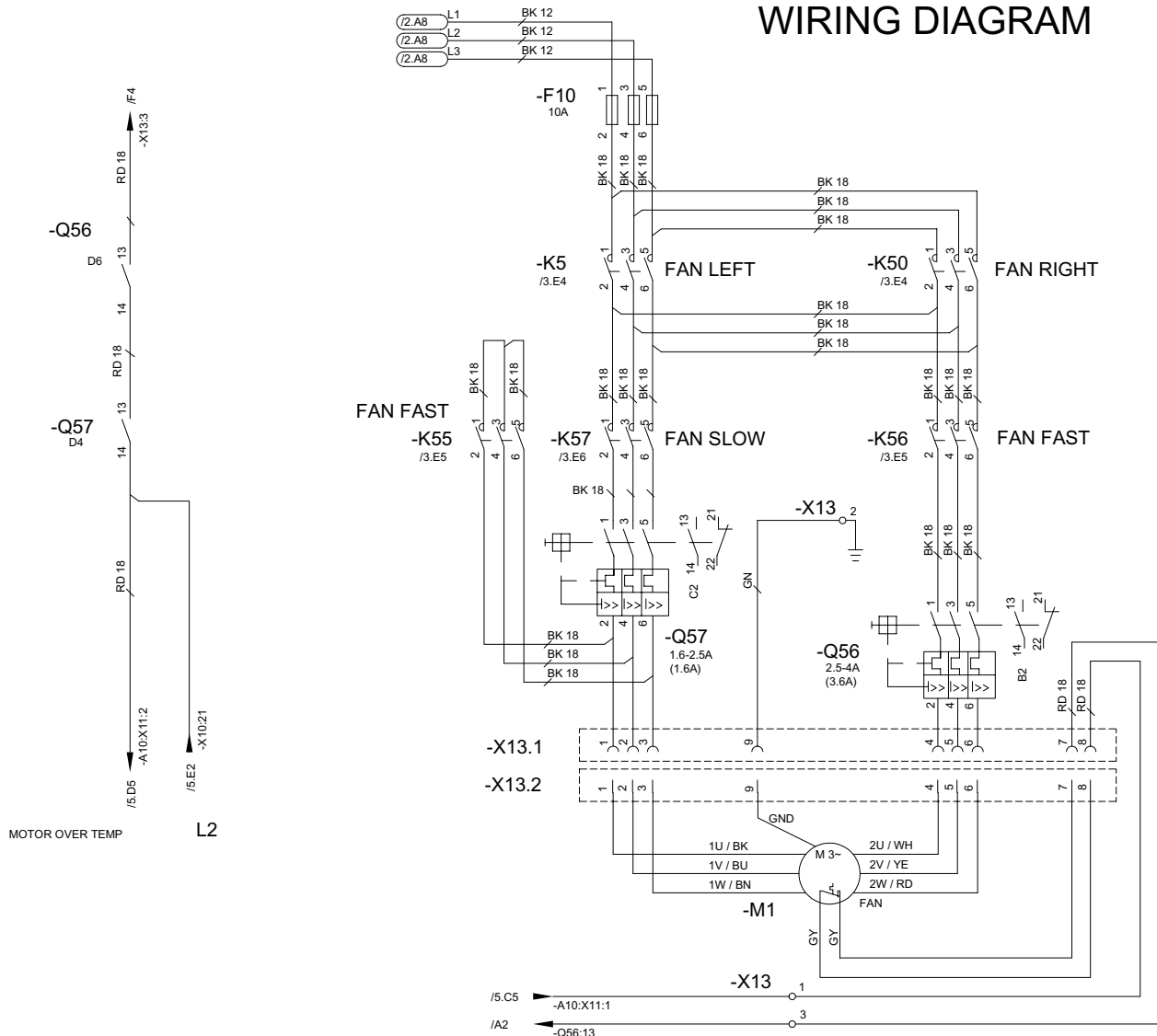
A

# WIRING DIAGRAM



|   |  |  |                        |                              |                 |
|---|--|--|------------------------|------------------------------|-----------------|
| THIS DESIGN DESCRIBES A PROPRIETARY ITEM AND IS THE PROPERTY OF CLEVELAND RANGE.<br>THIS DRAWING IS NOT TO BE COPIED OR USED WITHOUT THE APPROVAL OF CLEVELAND RANGE. | TITLE<br><b>WIRING DIAGRAM</b><br>OES 6.20/10.10 | VOLTAGE: 3Ø 208-240<br>WATTAGE: 15.8-20.7KW<br>CURRENT: 45.5-51.8A | DRAWN BY<br><b>DRL</b> | DRAWING NO.<br><b>300492</b> | REV<br><b>A</b> |
| <b>CLEVELAND RANGE, LLC</b><br>1333 East 179th St., Cleveland, Ohio 44110-2574  |  |  | DATE<br><b>7-14-05</b> | SIZE<br><b>B</b>             | SHEET 3 OF 7    |

# WIRING DIAGRAM



THIS DESIGN DESCRIBES A PROPRIETARY ITEM AND IS THE PROPERTY OF CLEVELAND RANGE.  
THIS DRAWING IS NOT TO BE COPIED OR USED WITHOUT THE APPROVAL OF CLEVELAND RANGE.

**CLEVELAND RANGE, LLC**  
1333 East 179th St., Cleveland, Ohio 44110-2574

TITLE  
**WIRING DIAGRAM**  
 OES 6.20/10.10

VOLTAGE: 3Ø 208-240  
 WATTAGE: 15.8-20.7KW  
 CURRENT: 45.5-51.8A

DRAWN BY  
**DRL**

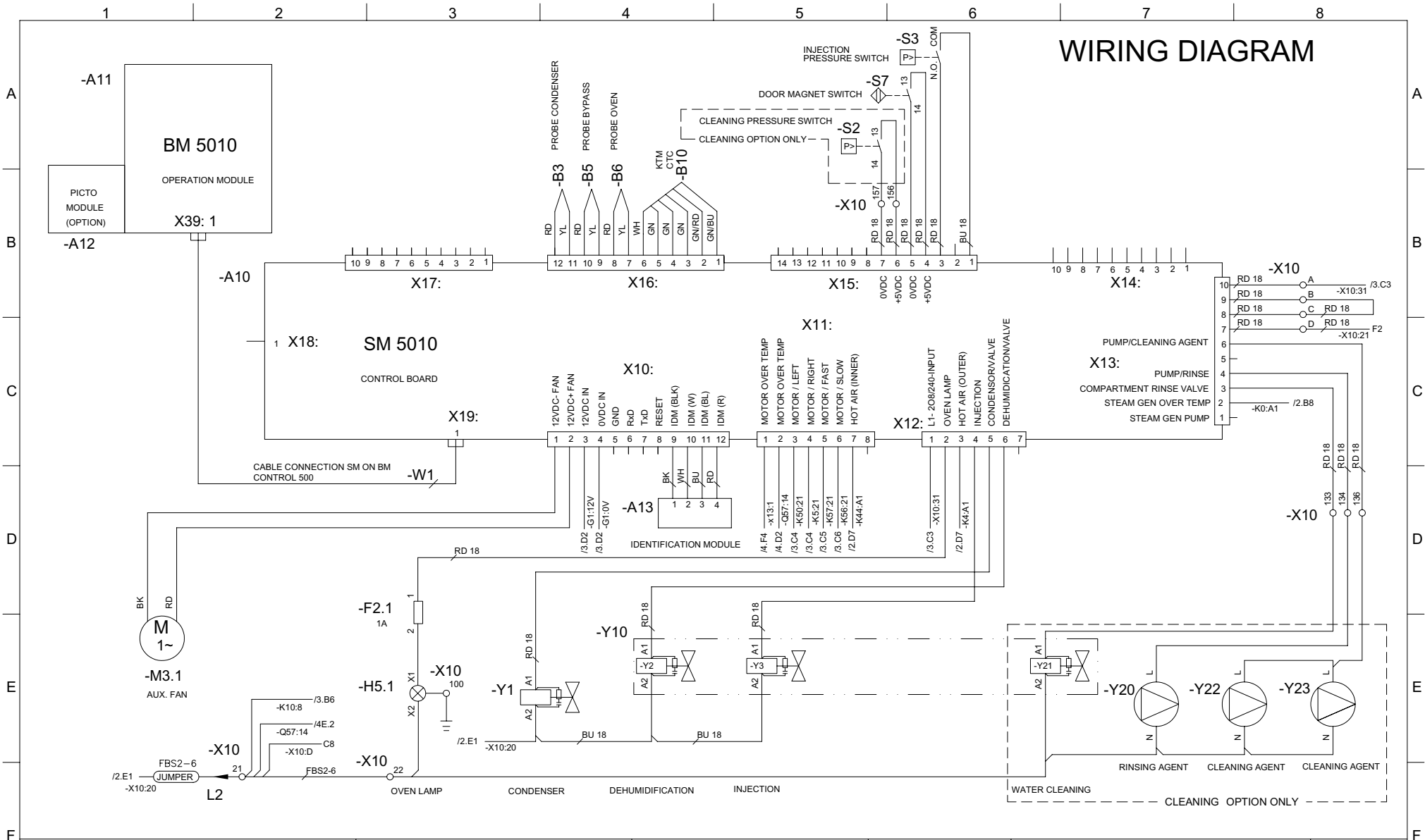
DATE  
 7-14-05

DRAWING NO.  
 300492

SIZE  
 B

REV  
 A

SHEET 4 OF 7

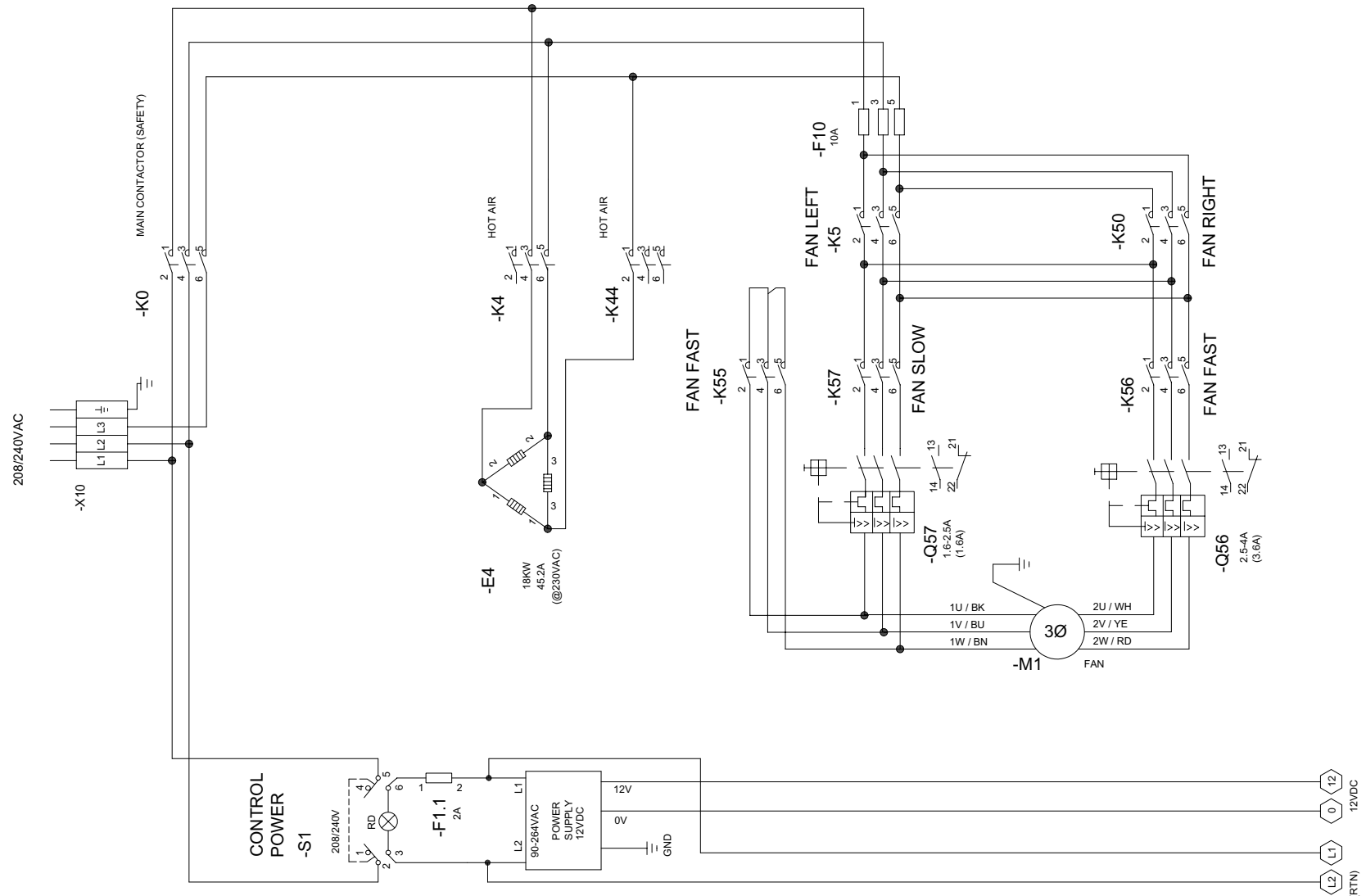


# WIRING DIAGRAM

|  |  |  |  |   |  |                        |  |                              |  |                 |  |
|--|--|--|--|---|--|------------------------|--|------------------------------|--|-----------------|--|
| THIS DESIGN DESCRIBES A PROPRIETARY ITEM AND IS THE PROPERTY OF CLEVELAND RANGE. THIS DRAWING IS NOT TO BE COPIED OR USED WITHOUT THE APPROVAL OF CLEVELAND RANGE. |  | <b>TITLE</b><br>WIRING DIAGRAM<br>OES 6.20/10.10 |  | <b>VOLTAGE:</b> 3Ø 208-240<br><b>WATTAGE:</b> 15.8-20.7KW<br><b>CURRENT:</b> 45.5-51.8A |  | <b>DRAWN BY</b><br>DRL |  | <b>DRAWING NO.</b><br>300492 |  | <b>REV</b><br>A |  |
| <b>CLEVELAND RANGE, LLC</b><br>1333 East 179th St., Cleveland, Ohio 44110-2574   |  |  |  |   |  | <b>DATE</b><br>7-14-05 |  | <b>SIZE</b><br>B             |  | SHEET 5 OF 7    |  |



# LADDER DIAGRAM



THIS DESIGN DESCRIBES A PROPRIETARY ITEM AND IS THE PROPERTY OF CLEVELAND RANGE.  
THIS DRAWING IS NOT TO BE COPIED OR USED WITHOUT THE APPROVAL OF CLEVELAND RANGE.

**CLEVELAND RANGE, LLC**  
1333 East 179th St., Cleveland, Ohio 44110-2574

TITLE  
**WIRING DIAGRAM**  
OES 6.20/10.10

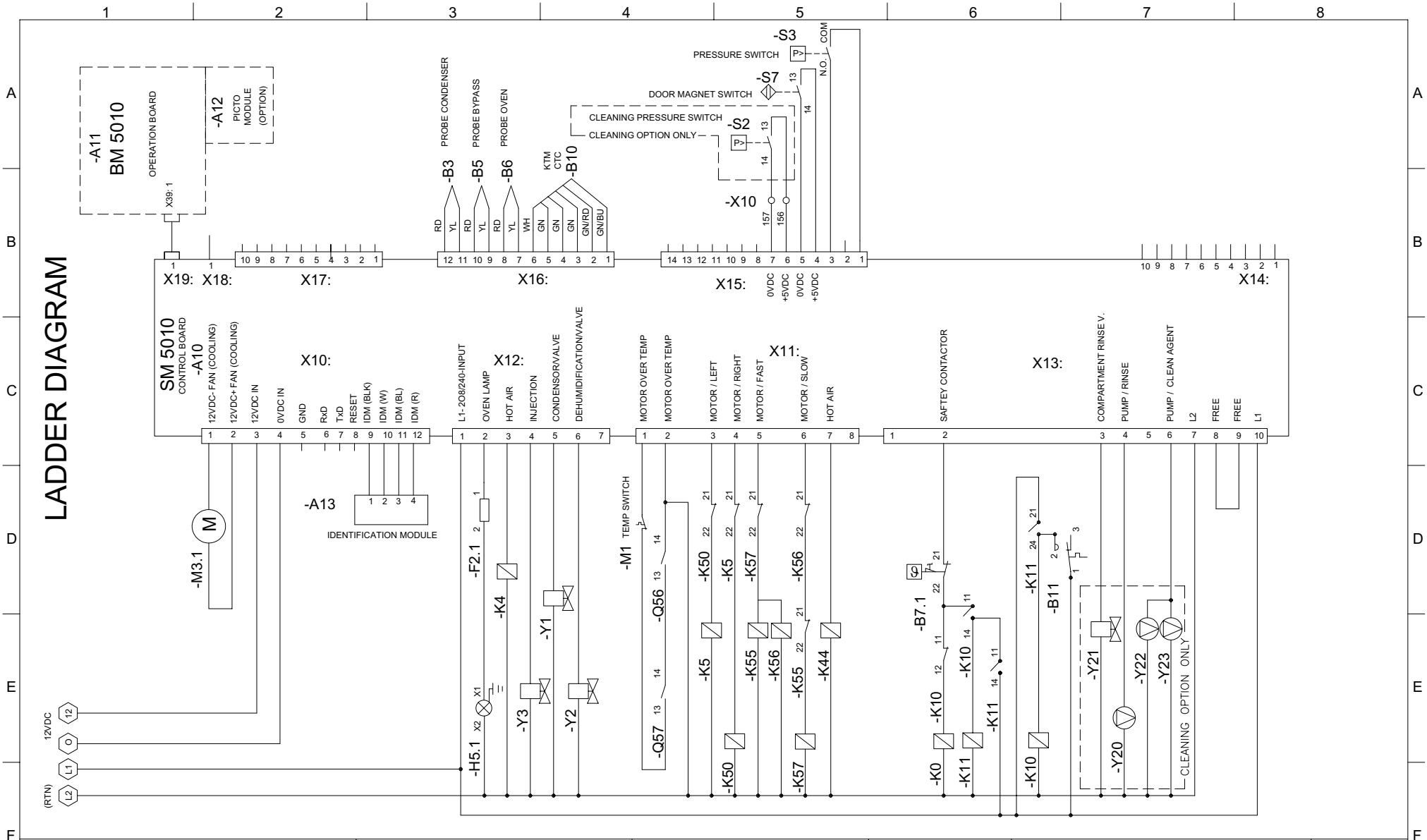
VOLTAGE: 3Ø 208-240  
WATTAGE: 15.8-20.7KW  
CURRENT: 45.5-51.8A

DRAWN BY  
DRL  
DATE  
7-14-05

DRAWING NO.  
300492  
SIZE  
B  
SHEET 6 OF 7

REV  
A

# LADDER DIAGRAM



THIS DESIGN DESCRIBES A PROPRIETARY ITEM AND IS THE PROPERTY OF CLEVELAND RANGE. THIS DRAWING IS NOT TO BE COPIED OR USED WITHOUT THE APPROVAL OF CLEVELAND RANGE.

**CLEVELAND RANGE, LLC**  
1333 East 179th St., Cleveland, Ohio 44110-2574

TITLE

**WIRING DIAGRAM**  
OES 6.20/10.10

VOLTAGE: 3Ø 208-240  
WATTAGE: 15.8-20.7KW  
CURRENT: 45.5-51.8A

DRAWN BY

DRL

DATE

7-14-05

DRAWING NO.

300492

SIZE

B

SHEET 7 OF 7

REV

A

## Free Manuals Download Website

<http://myh66.com>

<http://usermanuals.us>

<http://www.somanuals.com>

<http://www.4manuals.cc>

<http://www.manual-lib.com>

<http://www.404manual.com>

<http://www.luxmanual.com>

<http://aubethermostatmanual.com>

Golf course search by state

<http://golfingnear.com>

Email search by domain

<http://emailbydomain.com>

Auto manuals search

<http://auto.somanuals.com>

TV manuals search

<http://tv.somanuals.com>