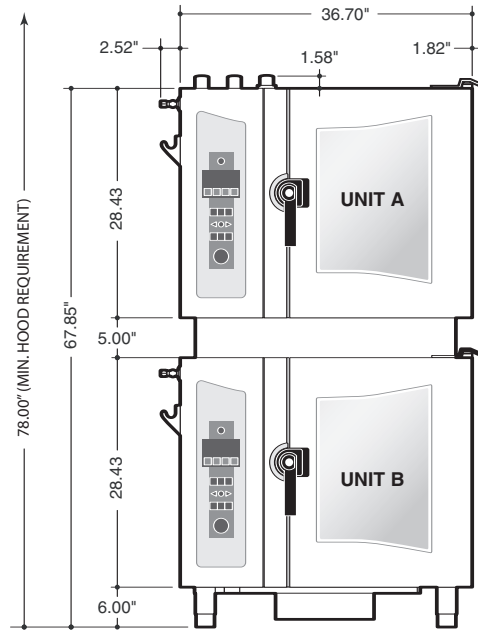
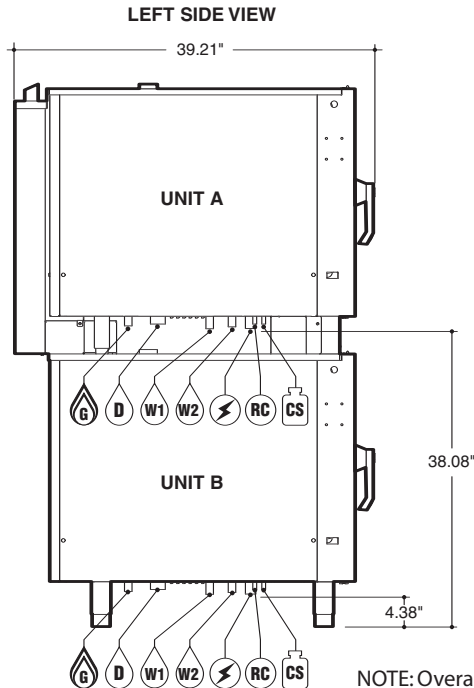


**COMBI OVEN-STEAMER**  
**Stacking Kits for Gas Table Type Models**  
**(OGB 6.10 on OGB 6.10 or OGS 6.10 on OGS 6.10)**

Project \_\_\_\_\_  
 Item \_\_\_\_\_  
 Quantity \_\_\_\_\_  
 FCSI Section \_\_\_\_\_  
 Approval \_\_\_\_\_  
 Date \_\_\_\_\_



Model #	Description
CSTK-610	for mounting two 6.10 models
CSTK-610CA	for mounting two 6.10 models (with casters)



NOTE: Overall height of unit does not change for units with casters.

**UTILITIES** (Utility connection shown below are listed per unit)

- Required Clearances:** Rear - 2", Left Side - 4", Right Side - 2 1/2"  
 • Allow for sufficient distance if a "high heat source" (i.e. Broiler) is located next to the unit.  
 • Allow for sufficient clearance on left side for service access (contact the factory service department for recommendations).  
 • Installation must comply with all local fire and health codes.

**Electrical Requirements:** 120 volt, 60 Hz, single phase, **UNIT A** - 11.7 amps  
 Do not connect to a G.F.I. outlet. **UNIT B** - 11.7 amps

**Gas Connection:** 3/4" NPT  
 Gas Type: Natural Gas (Propane optional)  
 Gas Flow Pressure: Natural Gas - Min. 5.5" WC / Max. 14" WC  
 Propane Gas - Min. 11" WC / Max. 14" WC

<b>BOILER MODELS</b>	<b>UNIT A - OGB-6.10</b>	<b>UNIT B - OGB-6.10</b>
Total Connected Load:	45.400 BTU	45.400 BTU
Steam Generator:	45.400 BTU	45.400 BTU
Hot Air:	45.400 BTU	45.400 BTU

<b>BOILERLESS MODELS</b>	<b>UNIT A - OGS-6.10</b>	<b>UNIT B - OGS-6.10</b>
Total Connected Load:	45.400 BTU	45.400 BTU
Hot Air:	45.400 BTU	45.400 BTU

**Water Connections:** Cold Water (drinking water quality)  
 Flow Pressure: 30 - 60 PSI  
 Water Inlets: 3/4" GHT-F (Female Garden Hose Connection)

- W1** Treated Water for Steam Generator  
**W2** Untreated Water for Condenser

**D** **Drain Connection:** 2" Tube

**Venting:** Exhaust Hood required

**CS** **\*Connection for Cleaning Solution**

**RC** **\*Connection for Rinse Cycle**

\*Available as an option

**Note:** For additional connection details, see spec sheet for each individual combi model to be stacked.

# COMBI OVEN-STEAMER

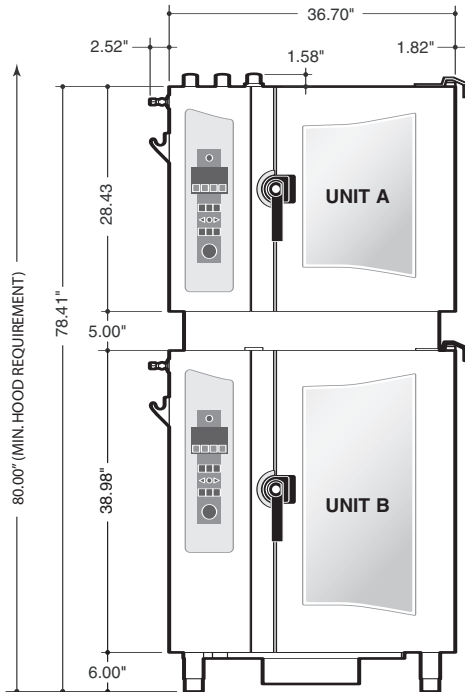
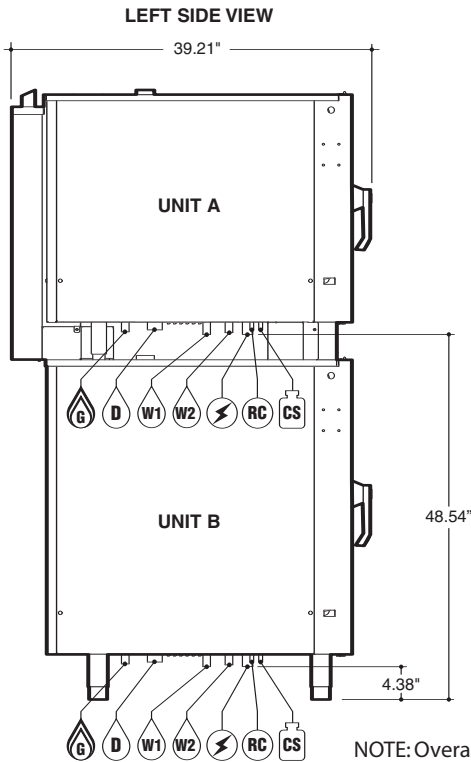
Stacking Kits for Gas Table Type Models

(OGB 6.10 on OGB 10.10 or OGS 6.10 on OGS 10.10)

Project \_\_\_\_\_  
 Item \_\_\_\_\_  
 Quantity \_\_\_\_\_  
 FCSI Section \_\_\_\_\_  
 Approval \_\_\_\_\_  
 Date \_\_\_\_\_



Model #	Description
CSTK-1010	for mounting one 6.10 model on top of one 10.10 model
CSTK-1010CA	for mounting one 6.10 model on top of one 10.10 model (with casters)



NOTE: Overall height of unit does not change for units with casters.

## UTILITIES (Utility connection shown below are listed per unit)

- Required Clearances:** Rear - 2", Left Side - 4", Right Side - 2 1/2"
- Allow for sufficient distance if a "high heat source" (i.e. Broiler) is located next to the unit.
  - Allow for sufficient clearance on left side for service access (contact the factory service department for recommendations).
  - Installation must comply with all local fire and health codes.

**Electrical Requirements:** 120 volt, 60 Hz, single phase, **UNIT A** - 11.7 amps  
 Do not connect to a G.F.I. outlet. **UNIT B** - 11.7 amps

**Gas Connection:** 3/4" NPT  
 Gas Type: Natural Gas (Propane optional)  
 Gas Flow Pressure: Natural Gas - Min. 5.5" WC / Max. 14" WC  
 Propane Gas - Min. 11" WC / Max. 14" WC

BOILER MODELS	UNIT A - OGB-6.10	UNIT B - OGB-10.10
Total Connected Load:	45,400 BTU	75,700 BTU
Steam Generator:	45,400 BTU	68,200 BTU
Hot Air:	45,400 BTU	75,700 BTU

BOILERLESS MODELS	UNIT A - OGS-6.10	UNIT B - OGS-10.10
Total Connected Load:	45,400 BTU	75,700 BTU
Hot Air:	45,400 BTU	75,700 BTU

**Water Connections:** Cold Water (drinking water quality)  
 Flow Pressure: 30 - 60 PSI  
 Water Inlets: 3/4" GHT-F (Female Garden Hose Connection)

- W1** Treated Water for Steam Generator
- W2** Untreated Water for Condenser

**D** **Drain Connection:** 2" Tube

**Venting:** Exhaust Hood required

**CS** **\*Connection for Cleaning Solution**

**RC** **\*Connection for Rinse Cycle**

\*Available as an option

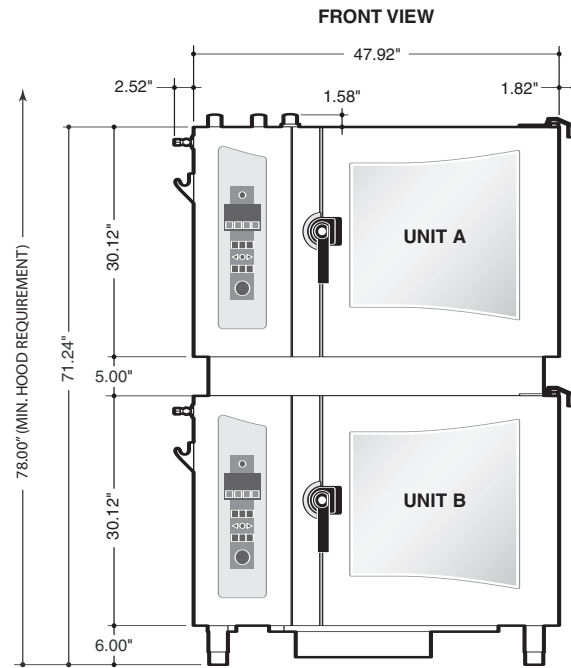
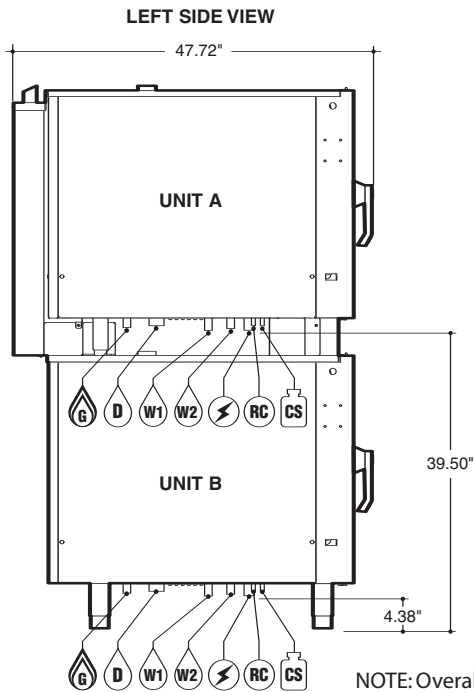
**Note:** For additional connection details, see spec sheet for each individual combi model to be stacked.

**COMBI OVEN-STEAMER**  
**Stacking Kits for Gas Table Type Models**  
**(OGB 6.20 on OGB 6.20 or OGS 6.20 on OGS 6.20)**

Project \_\_\_\_\_  
 Item \_\_\_\_\_  
 Quantity \_\_\_\_\_  
 FCSI Section \_\_\_\_\_  
 Approval \_\_\_\_\_  
 Date \_\_\_\_\_



Model #	Description
CSTK-620	for mounting two 6.20 models
CSTK-620CA	for mounting two 6.20 models (with casters)



NOTE: Overall height of unit does not change for units with casters.

**UTILITIES** (Utility connection shown below are listed per unit)

- Required Clearances:** Rear - 2", Left Side - 4", Right Side - 2 1/2"  
 • Allow for sufficient distance if a "high heat source" (i.e. Broiler) is located next to the unit.  
 • Allow for sufficient clearance on left side for service access (contact the factory service department for recommendations).  
 • Installation must comply with all local fire and health codes.

**Electrical Requirements:** 120 volt, 60 Hz, single phase, **UNIT A** - 11.7 amps  
 Do not connect to a G.F.I. outlet. **UNIT B** - 11.7 amps

**Gas Connection:** 3/4" NPT  
 Gas Type: Natural Gas (Propane optional)  
 Gas Flow Pressure: Natural Gas - Min. 5.5" WC / Max. 14" WC  
 Propane Gas - Min. 11" WC / Max. 14" WC

<b>BOILER MODELS</b>	<b>UNIT A - OGB-6.20</b>	<b>UNIT B - OGB-6.20</b>
Total Connected Load:	75,700 BTU	75,700 BTU
Steam Generator:	68,200 BTU	68,200 BTU
Hot Air:	75,700 BTU	75,700 BTU

<b>BOILERLESS MODELS</b>	<b>UNIT A - OGS-6.20</b>	<b>UNIT B - OGS-6.20</b>
Total Connected Load:	75,700 BTU	75,700 BTU
Hot Air:	75,700 BTU	75,700 BTU

**Water Connections:** Cold Water (drinking water quality)  
 Flow Pressure: 30 - 60 PSI  
 Water Inlets: 3/4" GHT-F (Female Garden Hose Connection)

- Treated Water for Steam Generator
- Untreated Water for Condenser

**Drain Connection:** 2" Tube

**Venting:** Exhaust Hood required

**\*Connection for Cleaning Solution**

**\*Connection for Rinse Cycle**

\*Available as an option

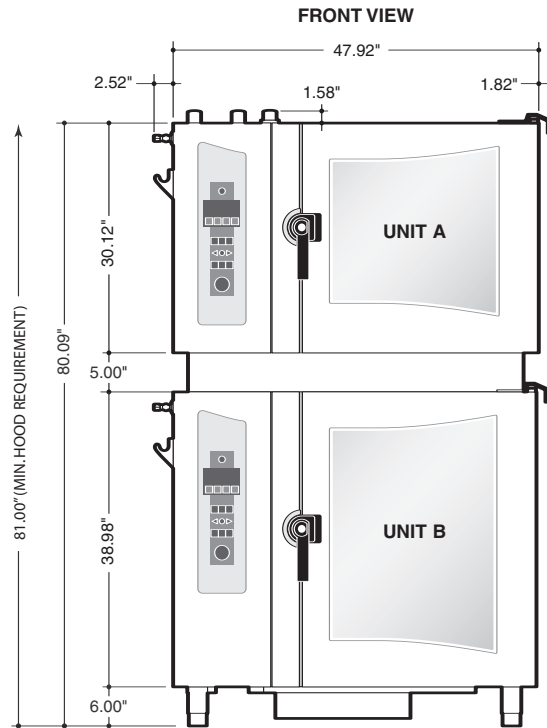
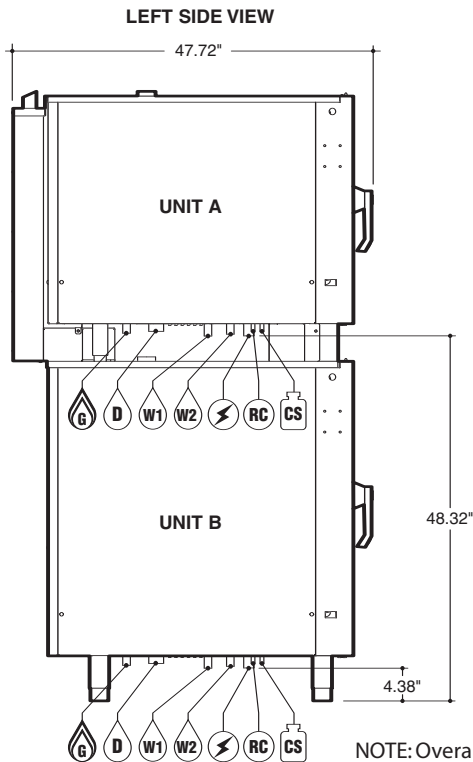
**Note:** For additional connection details, see spec sheet for each individual combi model to be stacked.

**COMBI OVEN-STEAMER**  
**Stacking Kits for Gas Table Type Models**  
**(OGB 6.20 on OGB 10.20 or OGS 6.20 on OGS 10.20)**

Project \_\_\_\_\_  
 Item \_\_\_\_\_  
 Quantity \_\_\_\_\_  
 FCSI Section \_\_\_\_\_  
 Approval \_\_\_\_\_  
 Date \_\_\_\_\_



Model #	Description
CSTK-1020	for mounting one 6.20 model on top of one 10.20 model
CSTK-1020CA	for mounting one 6.20 model on top of one 10.20 model (with casters)



NOTE: Overall height of unit does not change for units with casters.

**UTILITIES** (Utility connection shown below are listed per unit)

- Required Clearances:** Rear - 2", Left Side - 4", Right Side - 2 1/2"  
 • Allow for sufficient distance if a "high heat source" (i.e. Broiler) is located next to the unit.  
 • Allow for sufficient clearance on left side for service access (contact the factory service department for recommendations).  
 • Installation must comply with all local fire and health codes.

**Electrical Requirements:** 120 volt, 60 Hz, single phase, **UNIT A** - 11.7 amps  
 Do not connect to a G.F.I. outlet. **UNIT B** - 15.9 amps

**Gas Connection:** 3/4" NPT  
 Gas Type: Natural Gas (Propane optional)  
 Gas Flow Pressure: Natural Gas - Min. 5.5" WC / Max. 14" WC  
 Propane Gas - Min. 11" WC / Max. 14" WC

<b>BOILER MODELS</b>	<b>UNIT A - OGB-6.20</b>	<b>UNIT B - OGB-10.20</b>
Total Connected Load:	75,700 BTU	132,700 BTU
Steam Generator:	68,200 BTU	113,600 BTU
Hot Air:	75,700 BTU	132,700 BTU

<b>BOILERLESS MODELS</b>	<b>UNIT A - OGS-6.20</b>	<b>UNIT B - OGS-10.20</b>
Total Connected Load:	75,700 BTU	132,700 BTU
Steam Generator:	75,700 BTU	132,700 BTU

**Water Connections:** Cold Water (drinking water quality)  
 Flow Pressure: 30 - 60 PSI  
 Water Inlets: 3/4" GHT-F (Female Garden Hose Connection)

- Treated Water for Steam Generator
- Untreated Water for Condenser

**Drain Connection:** 2" Tube

**Venting:** Exhaust Hood required

**\*Connection for Cleaning Solution**

**\*Connection for Rinse Cycle**

\*Available as an option

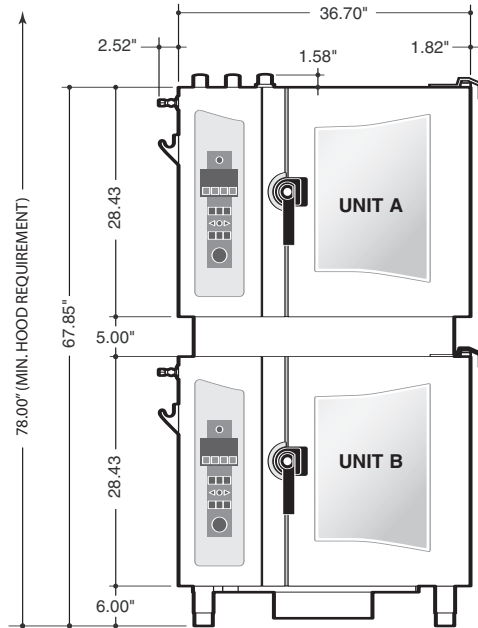
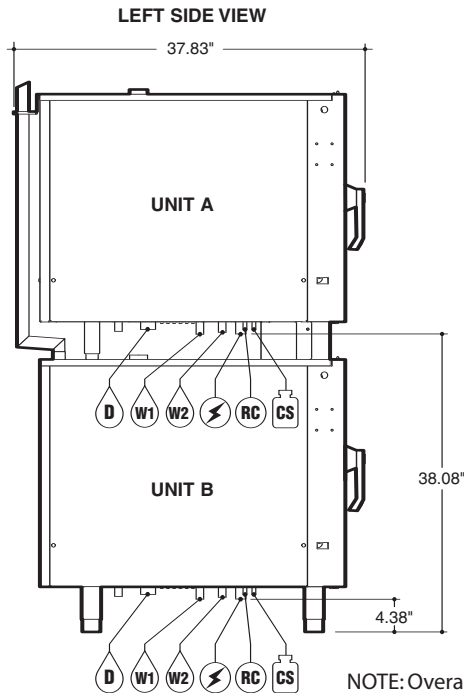
**Note:** For additional connection details, see spec sheet for each individual combi model to be stacked.

**COMBI OVEN-STEAMER**  
**Stacking Kits for Electric Table Type Models**  
**(OEB 6.10 on OEB 6.10 or OES 6.10 on OES 6.10)**

Project \_\_\_\_\_  
 Item \_\_\_\_\_  
 Quantity \_\_\_\_\_  
 FCSI Section \_\_\_\_\_  
 Approval \_\_\_\_\_  
 Date \_\_\_\_\_



Model #	Description
CSTK-610	for mounting two 6.10 models
CSTK-610CA	for mounting two 6.10 models (with casters)



NOTE: Overall height of unit does not change for units with casters.

**UTILITIES** (Utility connection shown below are listed per unit)

- Required Clearances:** Rear - 2", Left Side - 4", Right Side - 2 1/2"
- Allow for sufficient distance if a "high heat source" (i.e. Broiler) is located next to the unit.
  - Allow for sufficient clearance on left side for service access (contact the factory service department for recommendations).
  - Installation must comply with all local fire and health codes.

**Electrical Requirements:** Do not connect to a G.F.I. outlet.

BOILER MODELS	UNIT A - OEB-6.10				UNIT B - OEB-6.10			
	208/3/60	240/3/60	440/3/60	480/3/60	208/3/60	240/3/60	440/3/60	480/3/60
Total Connected Load:	9.9 KW	12.8 KW	11 KW	13.1 KW	9.9 KW	12.8 KW	11 KW	13.1 KW
Hot Air:	8.6 KW	11.4 KW	9.1 KW	10.2 KW	8.6 KW	11.4 KW	9.1 KW	10.2 KW
Steam Generator:	7.7 KW	10.2 KW	8.6 KW	10.2 KW	7.7 KW	10.2 KW	8.6 KW	10.2 KW
Amps per Phase:	27.3	30.8	15.2	16.3	27.3	30.8	15.2	16.3

BOILERLESS MODELS	UNIT A - OES-6.10				UNIT B - OES-6.10			
	208/3/60	240/3/60	440/3/60	480/3/60	208/3/60	240/3/60	440/3/60	480/3/60
Total Connected Load:	9.9 KW	12.8 KW	11 KW	13.1 KW	9.9 KW	12.8 KW	11 KW	13.1 KW
Hot Air:	8.6 KW	11.4 KW	9.1 KW	10.2 KW	8.6 KW	11.4 KW	9.1 KW	10.2 KW
Amps per Phase:	27.3	30.8	15.2	16.3	27.3	30.8	15.2	16.3

**Water Connections:** Cold Water (drinking water quality)  
 Flow Pressure: 30 - 60 PSI  
 Water Inlets: 3/4" GHT-F (Female Garden Hose Connection)

- Treated Water for Steam Generator
- Untreated Water for Condenser

**Drain Connection:** 2" Tube

**Venting:** Exhaust Hood required

**\*Connection for Cleaning Solution**

**\*Connection for Rinse Cycle**

\*Available as an option

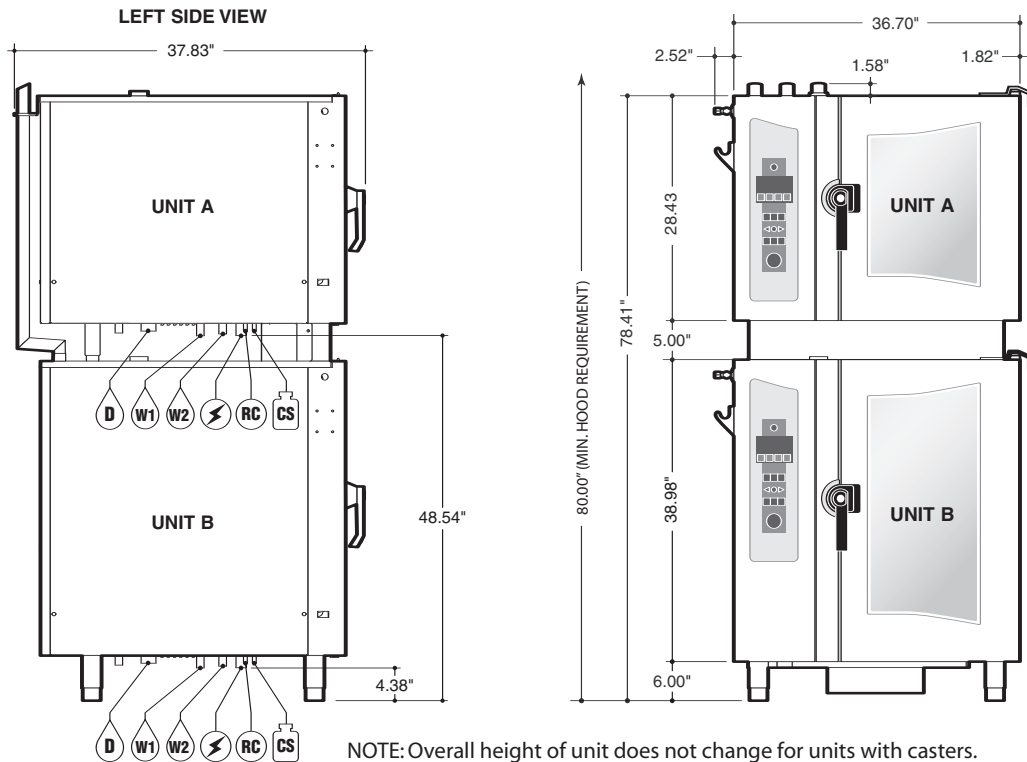
**Note:** For additional connection details, see spec sheet for each individual combi model to be stacked.

**COMBI OVEN-STEAMER**  
**Stacking Kits for Electric Table Type Models**  
**(OEB 6.10 on OEB 10.10 or OES 6.10 on OES 10.10)**

Project \_\_\_\_\_  
 Item \_\_\_\_\_  
 Quantity \_\_\_\_\_  
 FCSI Section \_\_\_\_\_  
 Approval \_\_\_\_\_  
 Date \_\_\_\_\_



Model #	Description
CSTK-1010	for mounting one 6.10 model on top of one 10.10 model
CSTK-1010CA	for mounting one 6.10 model on top of one 10.10 model (with casters)



NOTE: Overall height of unit does not change for units with casters.

**UTILITIES** (Utility connection shown below are listed per unit)

- Required Clearances:** Rear - 2", Left Side - 4", Right Side - 2 1/2"
- Allow for sufficient distance if a "high heat source" (i.e. Broiler) is located next to the unit.
  - Allow for sufficient clearance on left side for service access (contact the factory service department for recommendations).
  - Installation must comply with all local fire and health codes.

**Electrical Requirements:** Do not connect to a G.F.I. outlet.

BOILER MODELS	UNIT A - OEB-6.10				UNIT B - OEB-10.10			
	208/3/60	240/3/60	440/3/60	480/3/60	208/3/60	240/3/60	440/3/60	480/3/60
Total Connected Load:	9.9 KW	12.8 KW	11 KW	13.1 KW	16.4 KW	21.6 KW	18.5 KW	22 KW
Hot Air:	8.6 KW	11.4 KW	9.1 KW	10.2 KW	14.7 KW	19.6 KW	16.5 KW	19.6 KW
Steam Generator:	7.7 KW	10.2 KW	8.6 KW	10.2 KW	12.8 KW	17.1 KW	14.3 KW	17.1 KW
Amps per Phase:	27.3	30.8	15.2	16.3	45.5	51.8	24.2	26.4

BOILERLESS MODELS	UNIT A - OES-6.10				UNIT B - OES-10.10			
	208/3/60	240/3/60	440/3/60	480/3/60	208/3/60	240/3/60	440/3/60	480/3/60
Total Connected Load:	9.9 KW	12.8 KW	11 KW	13.1 KW	6.4 KW	21.6 KW	18.5 KW	22 KW
Hot Air:	8.6 KW	11.4 KW	9.1 KW	10.2 KW	14.7 KW	19.6 KW	16.5 KW	19.6 KW
Amps per Phase:	27.3	30.8	15.2	16.3	45.5	51.8	24.2	26.4

**Water Connections:** Cold Water (drinking water quality)  
 Flow Pressure: 30 - 60 PSI  
 Water Inlets: 3/4" GHT-F (Female Garden Hose Connection)

- Treated Water for Steam Generator
- Untreated Water for Condenser

**Drain Connection:** 2" Tube

**Venting:** Exhaust Hood required

**\*Connection for Cleaning Solution**

**\*Connection for Rinse Cycle**

\*Available as an option

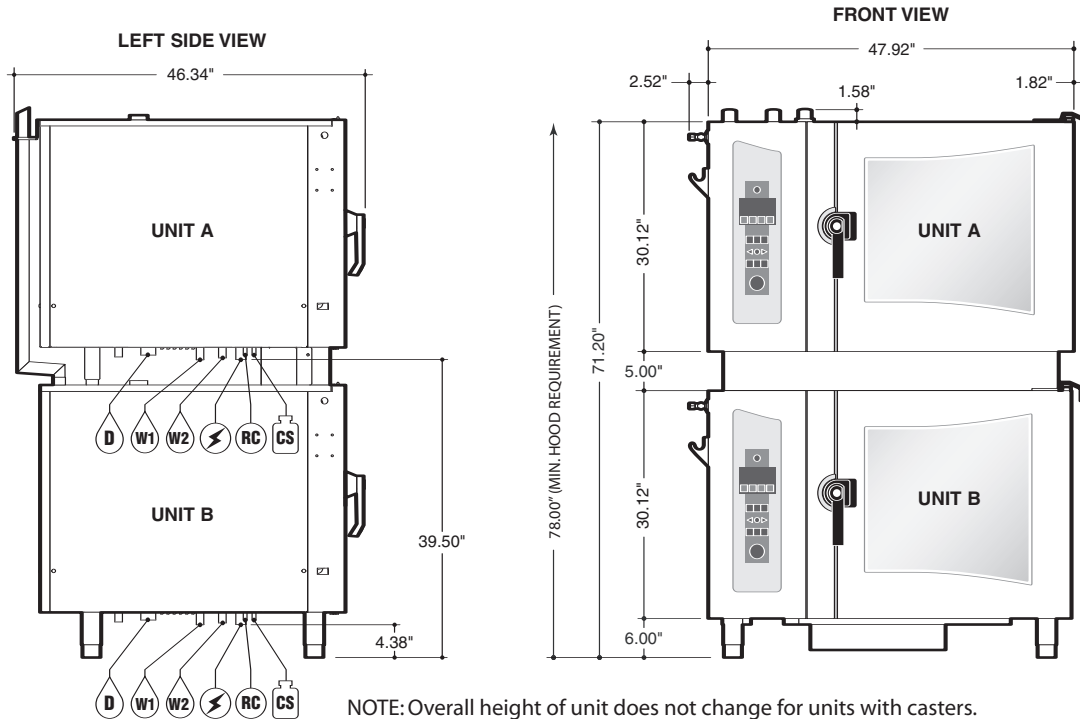
**Note:** For additional connection details, see spec sheet for each individual combi model to be stacked.

**COMBI OVEN-STEAMER**  
**Stacking Kits for Electric Table Type Models**  
**(OEB 6.20 on OEB 6.20 or OES 6.20 on OES 6.20)**

Project \_\_\_\_\_  
 Item \_\_\_\_\_  
 Quantity \_\_\_\_\_  
 FCSI Section \_\_\_\_\_  
 Approval \_\_\_\_\_  
 Date \_\_\_\_\_




Model #	Description
CSTK-620	for mounting two 6.20 models
CSTK-620CA	for mounting two 6.20 models (with casters)



**UTILITIES** (Utility connection shown below are listed per unit)

- Required Clearances:** Rear - 2", Left Side - 4", Right Side - 2 1/2"
- Allow for sufficient distance if a "high heat source" (i.e. Broiler) is located next to the unit.
  - Allow for sufficient clearance on left side for service access (contact the factory service department for recommendations).
  - Installation must comply with all local fire and health codes.



 **Electrical Requirements:** Do not connect to a G.F.I. outlet.

BOILER MODELS	UNIT A - OEB-6.20				UNIT B - OEB-6.20			
	208/3/60	240/3/60	440/3/60	480/3/60	208/3/60	240/3/60	440/3/60	480/3/60
Total Connected Load:	16.4 KW	21.6 KW	18.5 KW	22 KW	16.4 KW	21.6 KW	18.5 KW	22 KW
Hot Air:	14.7 KW	19.6 KW	16.5 KW	19.6 KW	14.7 KW	19.6 KW	16.5 KW	19.6 KW
Steam Generator:	12.8 KW	17.1 KW	14.3 KW	17.1 KW	12.8 KW	17.1 KW	14.3 KW	17.1 KW
Amps per Phase:	45.5	51.8	24.2	26.4	45.5	51.8	24.2	26.4

BOILERLESS MODELS	UNIT A - OES-6.20				UNIT B - OES-6.20			
	208/3/60	240/3/60	440/3/60	480/3/60	208/3/60	240/3/60	440/3/60	480/3/60
Total Connected Load:	16.4 KW	21.6 KW	18.5 KW	22 KW	16.4 KW	21.6 KW	18.5 KW	22 KW
Hot Air:	14.7 KW	19.6 KW	16.5 KW	19.6 KW	14.7 KW	19.6 KW	16.5 KW	19.6 KW
Amps per Phase:	45.5	51.8	24.2	26.4	45.5	51.8	24.2	26.4

**Water Connections:** Cold Water (drinking water quality)  
 Flow Pressure: 30 - 60 PSI  
 Water Inlets: 3/4" GHT-F (Female Garden Hose Connection)

-  Treated Water for Steam Generator
-  Untreated Water for Condenser

 **Drain Connection:** 2" Tube

**Venting:** Exhaust Hood required

 **\*Connection for Cleaning Solution**

 **\*Connection for Rinse Cycle**

\*Available as an option

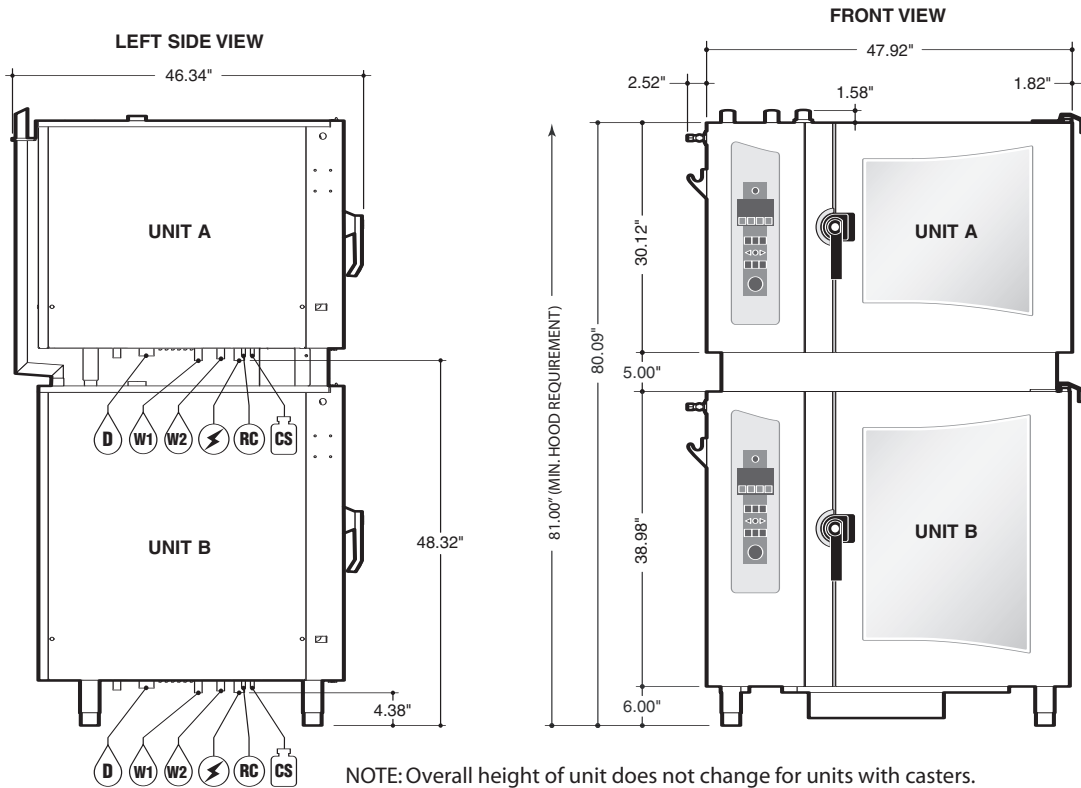
**Note:** For additional connection details, see spec sheet for each individual combi model to be stacked.

**COMBI OVEN-STEAMER**  
**Stacking Kits for Electric Table Type Models**  
**(OEB 6.20 on OEB 10.20 or OES 6.20 on OES 10.20)**

Project \_\_\_\_\_  
 Item \_\_\_\_\_  
 Quantity \_\_\_\_\_  
 FCSI Section \_\_\_\_\_  
 Approval \_\_\_\_\_  
 Date \_\_\_\_\_



Model #	Description
CSTK-1020	for mounting one 6.20 model on top of one 10.20 model
CSTK-1020CA	for mounting one 6.20 model on top of one 10.20 model (with casters)



NOTE: Overall height of unit does not change for units with casters.

**UTILITIES** (Utility connection shown below are listed per unit)

- Required Clearances:** Rear - 2", Left Side - 4", Right Side - 2 1/2"
- Allow for sufficient distance if a "high heat source" (i.e. Broiler) is located next to the unit.
  - Allow for sufficient clearance on left side for service access (contact the factory service department for recommendations).
  - Installation must comply with all local fire and health codes.

**Electrical Requirements:** Do not connect to a G.F.I. outlet.

BOILER MODELS	UNIT A - OEB-6.20				UNIT B - OEB-10.20			
	208/3/60	240/3/60	440/3/60	480/3/60	208/3/60	240/3/60	440/3/60	480/3/60
Total Connected Load:	16.4 KW	21.6 KW	18.5 KW	22 KW	26.3 KW	34.9 KW	29.4 KW	34.9 KW
Hot Air:	14.7 KW	19.6 KW	16.5 KW	19.6 KW	25.8 KW	34.3 KW	28.8 KW	34.3 KW
Steam Generator:	12.8 KW	17.1 KW	14.3 KW	17.1 KW	20.5 KW	27.3 KW	22.9 KW	27.3 KW
Amps per Phase:	45.5	51.8	24.2	26.4	77.8	88.8	41.4	44.9
BOILERLESS MODELS	UNIT A - OES-6.20				UNIT B - OES-10.20			
	208/3/60	240/3/60	440/3/60	480/3/60	208/3/60	240/3/60	440/3/60	480/3/60
Total Connected Load:	16.4 KW	21.6 KW	18.5 KW	22 KW	26.3 KW	34.9 KW	29.4 KW	34.9 KW
Hot Air:	14.7 KW	19.6 KW	16.5 KW	19.6 KW	25.8 KW	34.3 KW	28.8 KW	34.3 KW
Amps per Phase:	45.5	51.8	24.2	26.4	77.8	88.8	41.4	44.9

**Water Connections:** Cold Water (drinking water quality)  
 Flow Pressure: 30 - 60 PSI  
 Water Inlets: 3/4" GHT-F (Female Garden Hose Connection)

- Treated Water for Steam Generator
- Untreated Water for Condenser

**Drain Connection:** 2" Tube

**Venting:** Exhaust Hood required

**\*Connection for Cleaning Solution**

**\*Connection for Rinse Cycle**

\*Available as an option

**Note:** For additional connection details, see spec sheet for each individual combi model to be stacked.



## Free Manuals Download Website

<http://myh66.com>

<http://usermanuals.us>

<http://www.somanuals.com>

<http://www.4manuals.cc>

<http://www.manual-lib.com>

<http://www.404manual.com>

<http://www.luxmanual.com>

<http://aubethermostatmanual.com>

Golf course search by state

<http://golfingnear.com>

Email search by domain

<http://emailbydomain.com>

Auto manuals search

<http://auto.somanuals.com>

TV manuals search

<http://tv.somanuals.com>