



## **HORIZONTAL TUMBLE CHILLER**

MODEL:  P-TC-120

### ***Cleveland Standard Features***

- Capacity for 120 gallons of pumpable products
- Heavy duty, all stainless steel construction
- Large electric driven, perforated product cylinder
- Start/stop controls for cylinder rotation
- Digital temperature display
- Indicator light for cooling cycle completion
- Controls for cleaning cycle
- Dual, hinged covers totally enclose rotating cylinder
- Safety interlock switch stops cylinder rotation when cover is slightly lifted
- Automatic water level controls
- Shell & Tube heat-exchanger for fast cooling of products
- Integrated water conservation system to allow use of chilled water throughout the production day
- 1/2 HP water circulation pump for even water-bath temperature
- All electrical and plumbing enclosed in stainless steel housing
- Accepted for use in U.S.D.A. Inspected Facilities

### ***Options & Accessories***

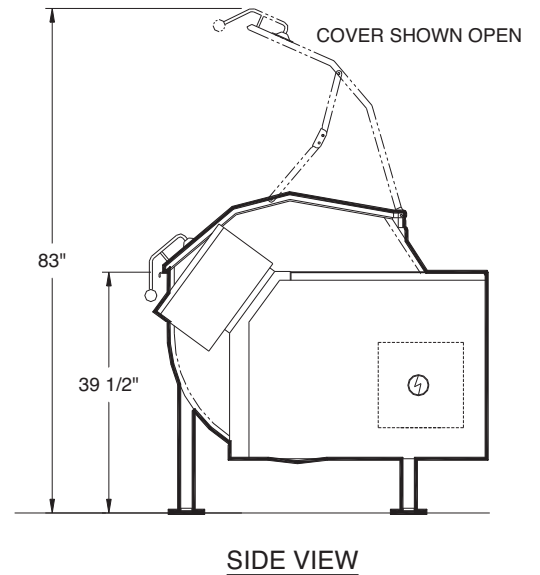
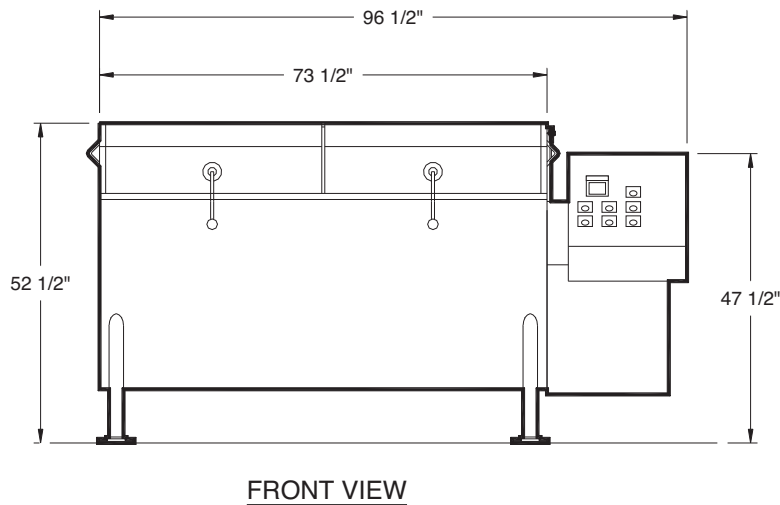
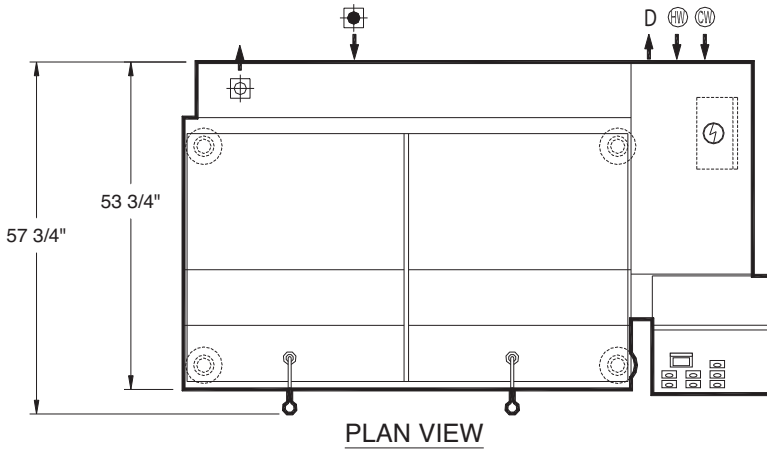
- Ice Builders
- Product Landing Tables
- Ice Water Control Panel
- Condensing Units for Ice-Builders
- Flow Meter for chilled water loop
- Chart Recorder



### ***Short Form Specifications***

*Shall be Cleveland Model P-TC-120, Horizontal Tumble Chiller; 120 gallon capacity; all stainless steel construction; perforated product cylinder with start/stop controls, automatic water level control; digital temperature display; controls for cleaning cycle; shell and tube heat-exchanger; 1/2 HP built-in water circulation pump for even water-bath temperature; Dual, hinged covers*

MINIMUM CLEARANCE	
FRONT	36"
SIDE	12"
REAR	12"



### UTILITY CONNECTIONS

MODEL	CHILLED WATER INLET	CHILLED WATER RETURN	COLD WATER	HOT WATER (CLEANING)	DRAIN	ELEC-TRICAL
	●	⊕	(CW)	(HW)	D	⚡ 208V/ 3PH/60Hz
P-TC120	1 1/2" NPT 50 GPM	1 1/2" NPT	1" NPT 30 GPM	1" NPT 30 GPM	1 1/2" NPT	20 AMPS

**NOTE:** The pressure drop is 12 to 15 PSI for the chilled water passing through the tumble chiller.

## Free Manuals Download Website

<http://myh66.com>

<http://usermanuals.us>

<http://www.somanuals.com>

<http://www.4manuals.cc>

<http://www.manual-lib.com>

<http://www.404manual.com>

<http://www.luxmanual.com>

<http://aubethermostatmanual.com>

Golf course search by state

<http://golfingnear.com>

Email search by domain

<http://emailbydomain.com>

Auto manuals search

<http://auto.somanuals.com>

TV manuals search

<http://tv.somanuals.com>