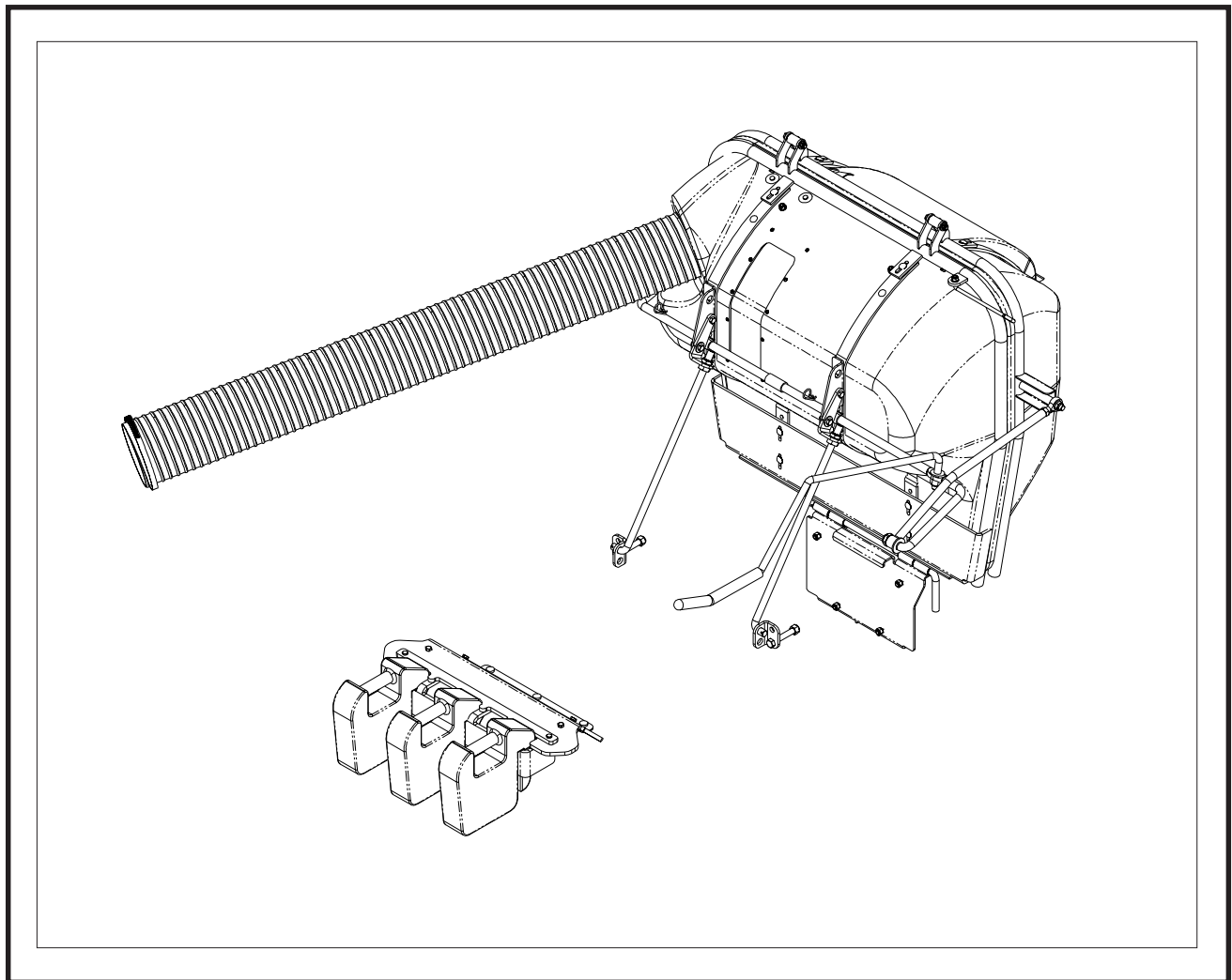


DIXON ZTR[®]



Collection System

Operators Manual
Parts Manual

Models: 539130211 - DCKC
539130212 - DCRC

Please read these instructions carefully and make sure you understand them before using the machine.

MANUAL NO. 539 130679 REV IR (02/06/07)

INDEX

Operators Guide

General Information	5
Safety Procedures	5
Assembly Instructions	7

Operating the Collection System	13
---------------------------------------	----

Maintenance and Service Instructions

Transport	14
Cleaning and Washing	14
Storage	14
Preventative Maintenance Schedule	14
Caring for Vacuum Hoses	15
Cleaning Poly Mesh	15
Troubleshooting Guide	16

Replacement Parts

Clamshell Assembly	18
Clamshell Rear Assembly	20
Clamshell Front Assembly	22
Clamshell Linkage - Ram	24
Clamshell Linkage - Kodiak	26
Weight Kit Ram	28
Weight Kit Kodiak	30

WARNING: Engine exhaust, some of its constituents, and certain vehicle components contain or emit chemicals known to the State of California to cause cancer and birth defects or other reproductive harm.

SAFETY RULES

General Information

This manual will assist you in the safe operation and proper maintenance of your Husqvarna equipment. Read it thoroughly before attempting to operate the machine. Call your dealer or Dixon if additional information is required.

The following safety symbols are used throughout the manual to alert you to information about unsafe actions or situations:



DANGER indicates immediate hazards that may result in severe injury or death.



WARNING indicates unsafe actions or situations that may cause severe injury, death, and/or major equipment or property damage.



CAUTION indicates unsafe actions or situations that may cause injury and/or minor equipment or property damage.

This equipment should not be modified without the manufacturer's prior written authorization. Doing so may not only affect the equipments' performance and durability, but also create safety hazards for the operator and the surroundings. Warranty will be void if changes are made to the equipment without the manufacturer's prior written authorization.

Safety Procedures

1 - Training:

- Read the Operator's manual. If the operator(s) or mechanic(s) can not read English it is the owner's responsibility to explain this material to them.
- Become familiar with the safe operation of the equipment, operator's controls, and safety signs.
- All operators and mechanics should be trained. The owner is responsible for training the users.
- Never let children or untrained people operate or service the equipment. Local regulations may restrict the age of the operator.
- The owner/user can prevent and is responsible for accidents or injuries occurring to themselves, other people, and/or property.

2 - Preparation:

- Wear appropriate clothing including hard hat, safety glasses and ear protection. Long hair, loose clothing or jewelry may get tangled in moving parts.
- Inspect the area where the equipment is to be used and remove all objects such as rocks, toys and wire which can be thrown by the machine.
- Use extra care when handling gasoline and other fuels. They are flammable and vapors are explosive. Use only an approved container. Never remove gas cap or add fuel with engine running. Allow engine to cool before refueling. Do not smoke while fueling or operating equipment. Never refuel or drain the machine indoors.
- Check that operator's controls, safety switches, hoses, and shields are securely attached and functioning properly. Do not operate unless they are functioning properly.

SAFETY RULES

3 - Operation

- Never run an engine in an enclosed area.
- Only operate in good light, keeping away from holes and hidden hazards.
- Slow down and use extra care on hillsides. Make turns gradually and at slow speed. Do not operate across the sides of slopes. Operate up and down slopes only. Do not operate on steep slopes.
- Turf conditions can affect the machine's stability. Do not operate on wet grass where traction may be reduced.
- Do not change the engine governor setting or overspeed the engine.
- Stop equipment and inspect vacuum impeller and hoses after striking objects or if an abnormal vibration occurs. Make necessary repairs before resuming operations.
- Look behind and down before backing up to ensure a clear path.
- Slow down and use caution when making turns and crossing roads and sidewalks. Stop vacuum and mower blades if not mowing.
- Do not operate machine under the influence of alcohol or drugs.

- Use care when loading or unloading the machine into a trailer or truck.
- Use care when approaching blind corners, shrubs, trees, or other objects that may obscure vision.

4 - Maintenance and Storage:

- Stop engine and disconnect spark plug wire. Wait for all movement to stop before adjusting, cleaning, or repairing.
- Clean grass and debris from muffler and engine to help prevent fires. Clean up oil or fuel spillage.
- Let engine cool before storing and do not store near sparks or open flame.
- Shut off fuel while storing. Do not store fuel near flames or drain indoors.
- Never allow untrained personnel to service machine.
- Keep hands and feet away from moving parts. If possible, do not make adjustments with the engine running.
- Keep all parts in good working condition and all hardware tightened. Replace all worn or damaged decals.

ASSEMBLY

Assembly Instructions

Tools Required:

Ratchet	(2) 3/4" Wrench
Torque Wrench	3/4" Socket
1/2" Wrench	Flat Screw Driver
1/2" Socket	(2) 1" Wrench - open end
9/16" Wrench	
9/16" Socket	

RAM/RAM MAG

1. Remove clamshell from crate.
2. Remove two 5/16 x 3/4 carriage bolts from the lower flange of the rear guard on the mower.
3. Place (539 114781) Mount Bracket, Lower in place and secure using four (539 111785) 3/8 x 3/4 carriage bolts, four (539 976979) 3/8 nyloc hex nut and two (539 107271) 5/16 x 1 carriage bolts. Reuse the two 5/16 nyloc hex nuts previously removed from the 5/16 x 3/4 carriage bolts. See Figure 1.

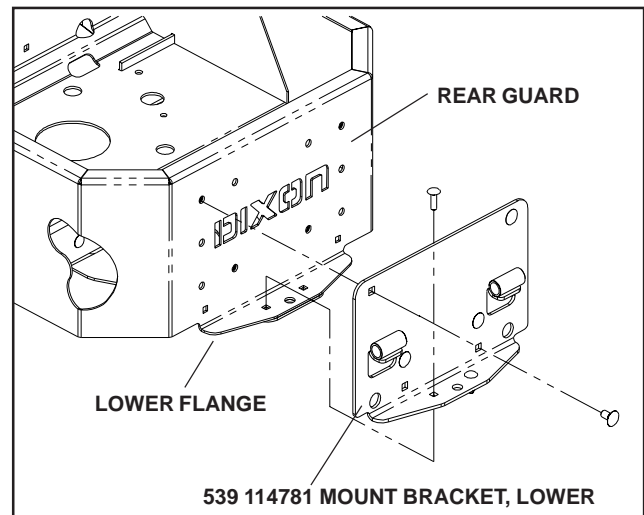


FIGURE 1

4. Lift seat and latch with seat latch.
5. Remove seat springs.
6. Place (539 114786) Plate, Support, Linkage on frame.
7. Reposition springs and secure with (990209) 5/16 x 1 hex bolts and hex nut previously removed from seat springs. See Figure 2.
8. Attach two (539 114783) Linkage, Support to the clamshell assembly as shown in Figure 2.
9. Secure with two (539 100476) 5/8 hex jam nut and two (539 115591) 5/8 nyloc hex nut as shown. **Do not** tighten nuts.

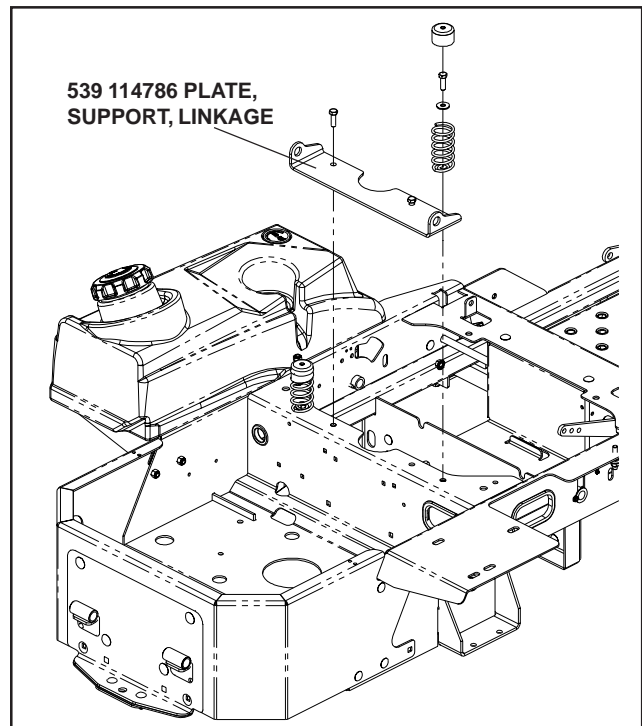


FIGURE 2

ASSEMBLY

10. Lift Clamshell assembly onto (539 114781) Mount Bracket, Lower. Position tubes on bottom of clamshell on out side of the tubes on (539 114781) Mount Bracket, Lower.
11. Secure with (539 119372) Hinge Pin and (539 115501) Cotter Pin.
12. Hook both (539 114783) Linkage, Support into (539 114786) Plate, Support, Linkage and secure with two remaining (539 115501) Cotter Pins.
13. Tighten (539 100476) 5/8 Jam nut and (539 115591) 5/8 Nyloc nut so that the clamshell is sitting straight on unit.
14. Tighten (539 114782) Brackets on front of clamshell.

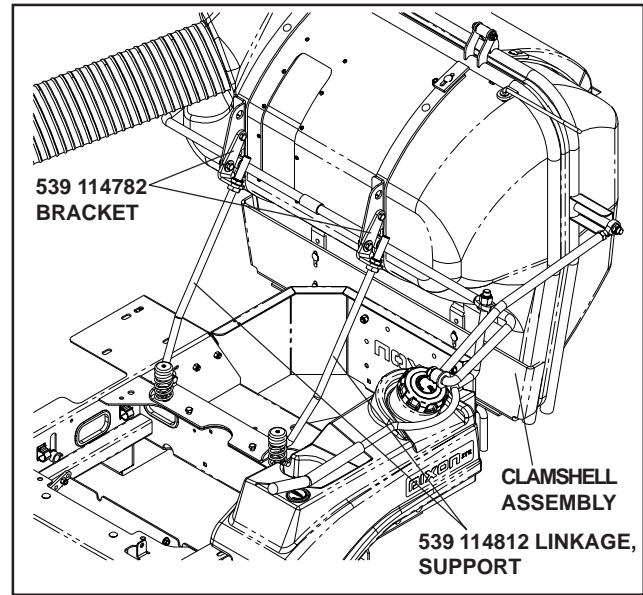


FIGURE 3

ASSEMBLY

KODIAK

1. Remove clamshell from crate.
2. Remove two 5/16 x 3/4 carriage bolts from the lower flange of the rear guard on the mower.
3. Place (539 114815) Mount Bracket, Lower in place and secure using four (539 111785) 3/8 x 3/4 carriage bolts, four (539 976979) 3/8 nyloc hex nut and two (539 107271) 5/16 x 1 carriage bolts. Reuse the two 5/16 nyloc hex nuts previously removed from the 5/16 x 3/4 carriage bolts. See Figure 4.

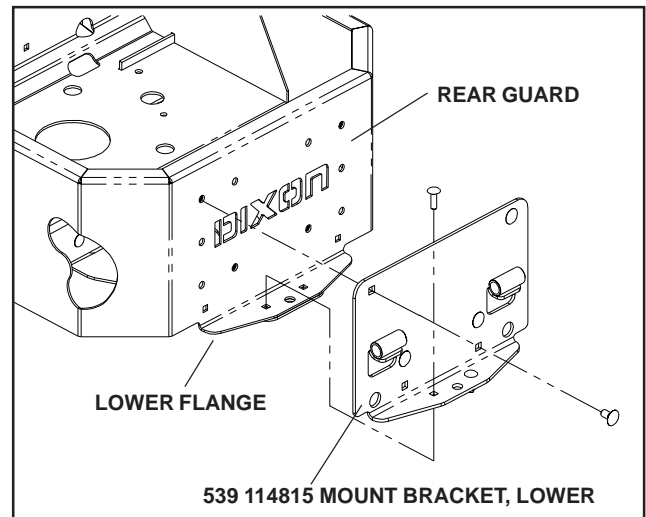


FIGURE 4

4. Secure two (539 114811) Bracket, Support to frame as shown in Figure 5. Secure using (539 103433) 1/2 x 3 1/4 hex bolt and (539 101331) 1/2 hex nyloc nut.

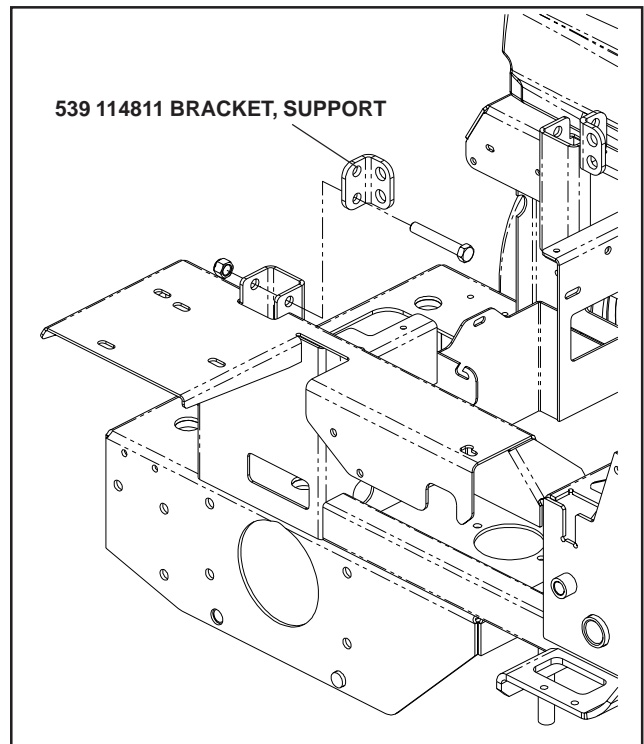


FIGURE 5

FIGURE 3

ASSEMBLY

5. Attach two (539 114812) Linkage, Support to the clamshell assembly as shown in Figure 6.
6. Secure with two (539 100476) 5/8 hex jam nut and two (539 115591) 5/8 nyloc hex nut as shown. **Do not** tighten nuts.
7. Lift Clamshell assembly onto (539 114815) Mount Bracket, Lower. Position tubes on bottom of clamshell on out side of the tubes on (539 114781).
8. Secure with (539 119372) Hinge Pin and (539 115501) Cotter Pin.
9. Hook both (539 114812) Linkage, Support into (539 114811) Bracket, Support and secure with two remaining (539 115501) Cotter Pins.
10. Tighten (539 100476) 5/8 Jam nut and (115591) 5/8 Nyloc nut so that the clamshell is sitting straight on unit.
11. Tighten (539 114782) Brackets on front of clamshell.

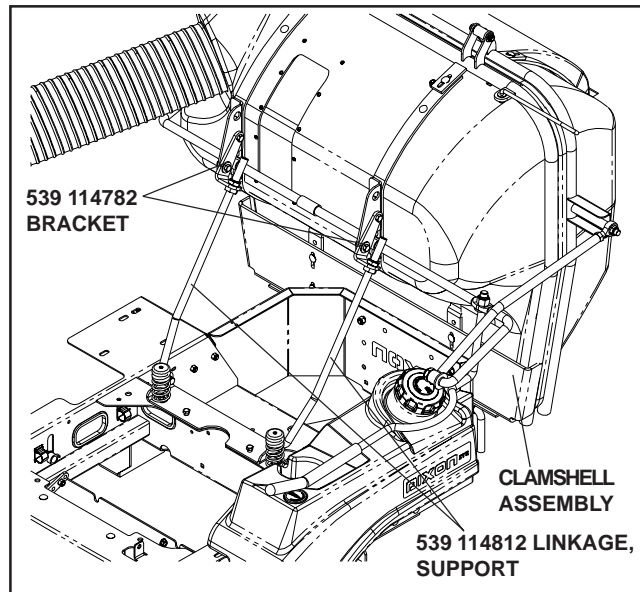


FIGURE 6

ASSEMBLY

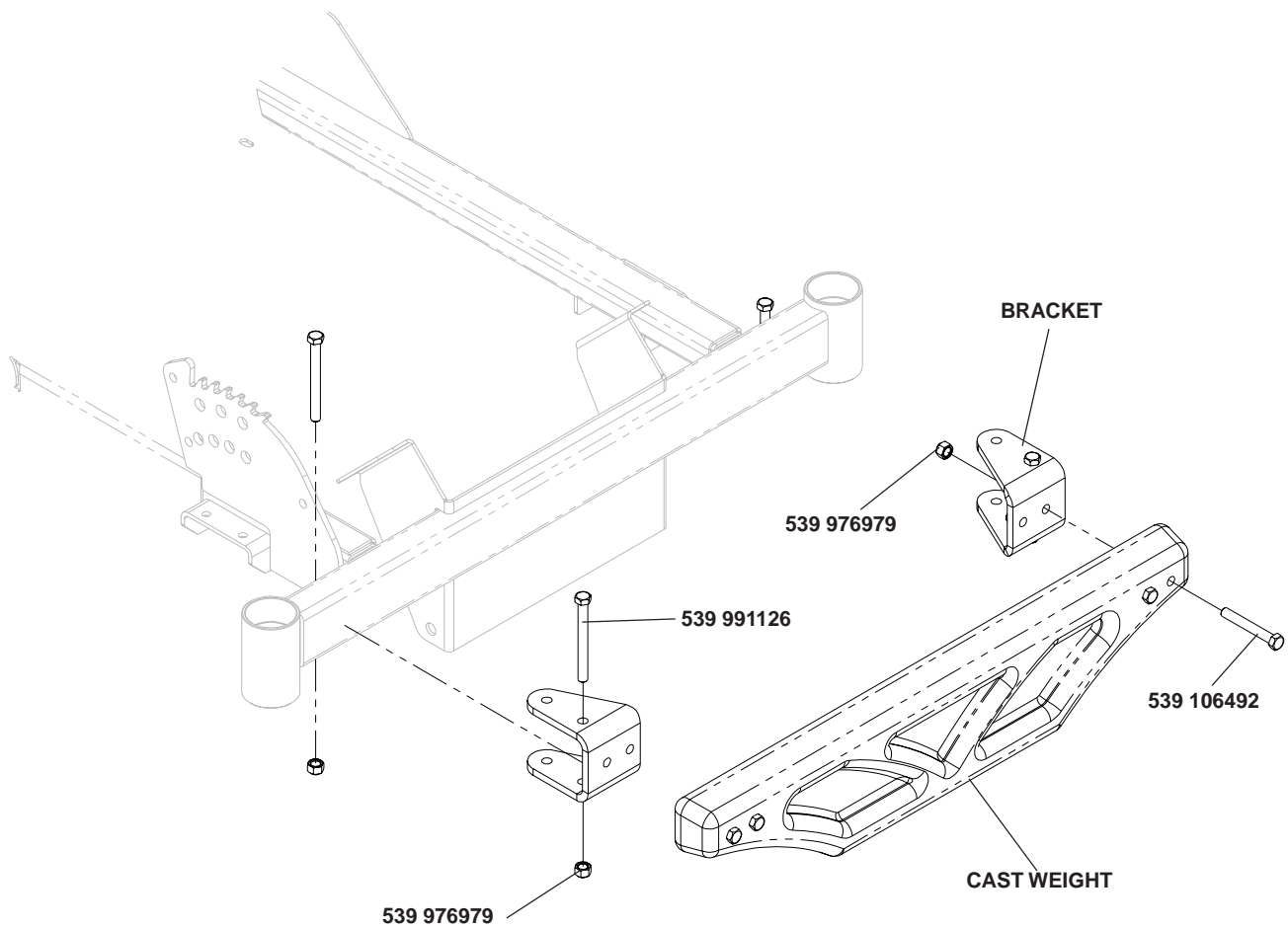
FRONT WEIGHTS - RAM

1. Bolt cast weight and two weight brackets together using four bolts (539 106492, 3/8 x 2 3/4") and four nuts (539 976979, 3/8" nyloc).
2. Slide both weight brackets over the front tube on the frame. Be sure to position in the center of the frame.
3. Secure with four bolts (539 991126, 3/8 x 3 3/4") and four nuts (539 976979, 3/8" nyloc).



CAUTION

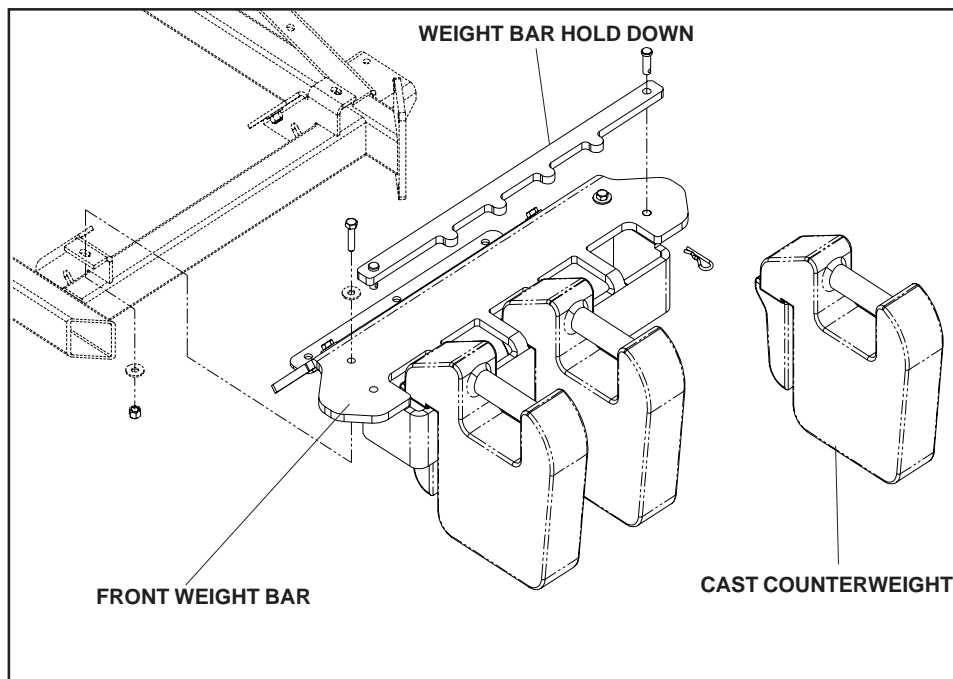
DO NOT operate mower with grass catcher, unless the front weights are installed.



ASSEMBLY

FRONT WEIGHTS - KODIAK

1. Remove mower foot plate and floor pan.
2. Align weight bar to the front of the frame.
See diagram.
3. Secure weight bar to mower frame with four 5/16-18 x 1 1/4" hex bolts from kit, reuse the four 5-16" washers and four 5/16" nyloc nuts that were removed from the foot plate.
4. Place all front weights on front weight bar.
5. Place holddown bar over front weights and secure to front weight bar using two 3/8" x 1" clevis pins and two hair pins.
6. Reinstall floor pan.



OPERATION

Operating the Collection System

1. **NEVER USE THE COLLECTION SYSTEM WITHOUT THE BLOWER ASSEMBLY AND HOSES SECURELY ATTACHED.**
2. Make sure hoses are connected at both ends. Inspect hoses prior to each use.
3. Do not use the unit on slopes greater than 10 degrees.
4. The mower must be running in order to vacuum debris through the mower deck.
5. In heavy grass it may be necessary to mow and collect at a slower ground speed.
6. Never attempt to unclog the collection system until the mower's engine has been shut off and all moving parts have come to a complete stop.
7. Do not stand behind the vent at the rear of the collection system due to the potential for small pieces of blowing debris to escape through the vent.
8. Wear eye and ear protection.

SERVICE AND MAINTENANCE

Transport



WARNING

The collection system must be completely empty or removed while driving forward onto a trailer. If the mower must be loaded onto a trailer while there is still debris in the container, the mower must be backed up onto the trailer to avoid tipping.

For best results, clean poly mesh inside hood regularly. Instructions for doing this can be found in the Service section of this manual.

Cleaning and Washing

Regular cleaning, washing, and lubricating will prolong the service of the machine.

NOTE: Use care with power washers to avoid damage to decals. Limit direct spray on these items.

DO NOT EXCEED 1000 PSI WATER PRESSURE FOR CLEANING.

Storage

1. Clean machine.
2. Cover all scratches with touch-up paint.
3. Covered or indoor storage is recommended.

Preventative Maintenance Schedule

Item	Before Each Use	Every 5 Hours	Every 25 Hours	Every 50 Hours
Inspect/Clean Poly Mesh	X	X		
Check/Tighten Nuts & Bolts	X			
Check/Tighten Hoses	X			
Turn Hose End to End			X	
Rotate Hose				X
Clean Machine				X

SERVICE AND MAINTENANCE

Caring For Hoses

1. Inspect hoses before each use. If hoses have excessive wear, tears, or punctures, replace immediately.
2. To prolong the life of the hose, periodically rotate hose and turn hose end to end. Refer to Preventative Maintenance Schedule in this manual.
3. Avoid twists and sharp turns in the hoses, as they will increase wear on the hoses.
4. Avoid dragging the lower hose along the sides of buildings or other hard surfaces.

Cleaning Poly Mesh

The poly mesh on the collection system is located inside the container hood. For best results, clean poly mesh regularly.

Cleaning Instructions

1. Shut off engine.
2. Release the two (2) rubber latches under the rear of the hood. Open hood and brush debris off of both sides.
3. Close hood and re-latch.

DO NOT USE THE COLLECTION SYSTEM WITHOUT POLY MESH SECURELY IN PLACE.

SERVICE AND MAINTENANCE

Troubleshooting Guide



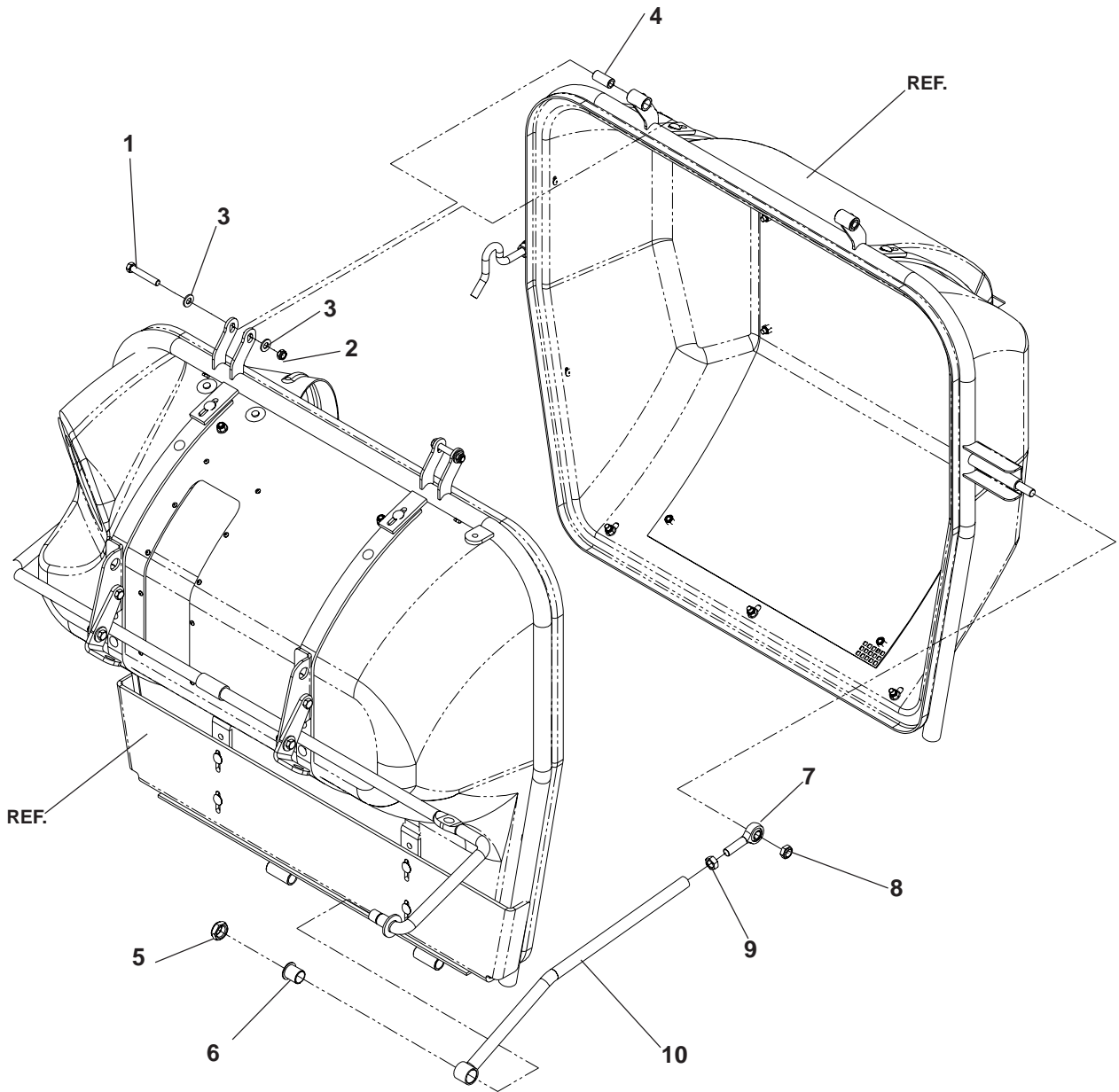
DANGER

Before servicing unit, wait for all moving parts to come to a complete stop. Turn engine off and remove the spark plug wire.

PROBLEM	POSSIBLE CAUSE	CORRECTION
Loss of Vacuum.	<ol style="list-style-type: none">1. Hose or hood inlet clogged.2. Container full.3. Poly mesh plugged.	<ol style="list-style-type: none">1. Remove hose and clean inlet.2. Inspect and empty.3. Clean poly mesh.
Unusual vibration or noise.	<ol style="list-style-type: none">1. Solid object jammed in unit.2. Loose or missing bolts on unit.	<ol style="list-style-type: none">1. Check and remove any obstruction.2. Tighten or replace bolts.
Unit difficult to close.	<ol style="list-style-type: none">1. Obstructions keeping door from completely closing.2. Hood hinge bolts too tight.	<ol style="list-style-type: none">1. Clear obstructions.2. Loosen bolts.

PARTS ILLUSTRATIONS

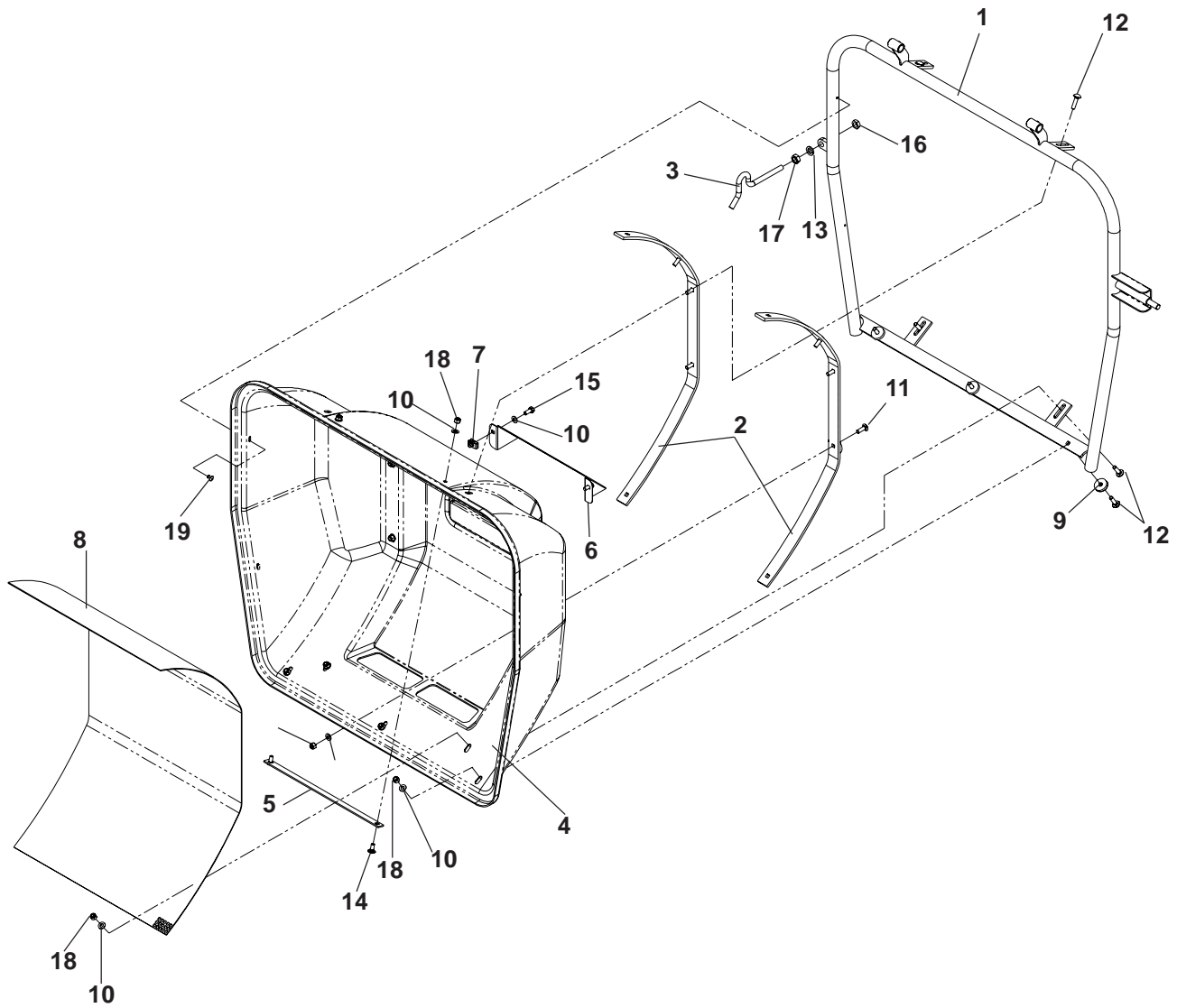
CLAMSHELL ASSEMBLY



CLAMSHELL ASSEMBLY

ITEM	PART NO.	QTY.	DESCRIPTION
1..	539 990629 ...	2...	HCS 3/8-16 X 2 1/4, GR5
2..	539 200282 ...	2...	NUT, 3/8-16, HAM, NYLOC
3..	539 990122 ...	3...	WASHER, 3/8, SAE
4...	539 115972 ...	2...	BUSHING
5..	539 990717 ...	1...	NUT, 5/16-18, NYLOC
6...	539 119414 ...	1...	BUSHING, PLASTIC
7...	539 117244 ...	1...	ROD END
8...	539 115609 ...	1...	NUT, 1/2-13, THIN, NYLOC
9..	539 990625 ...	1...	NUT, 1/2-13, JAM
10...	539 119371 ...	1...	LIFT LINK

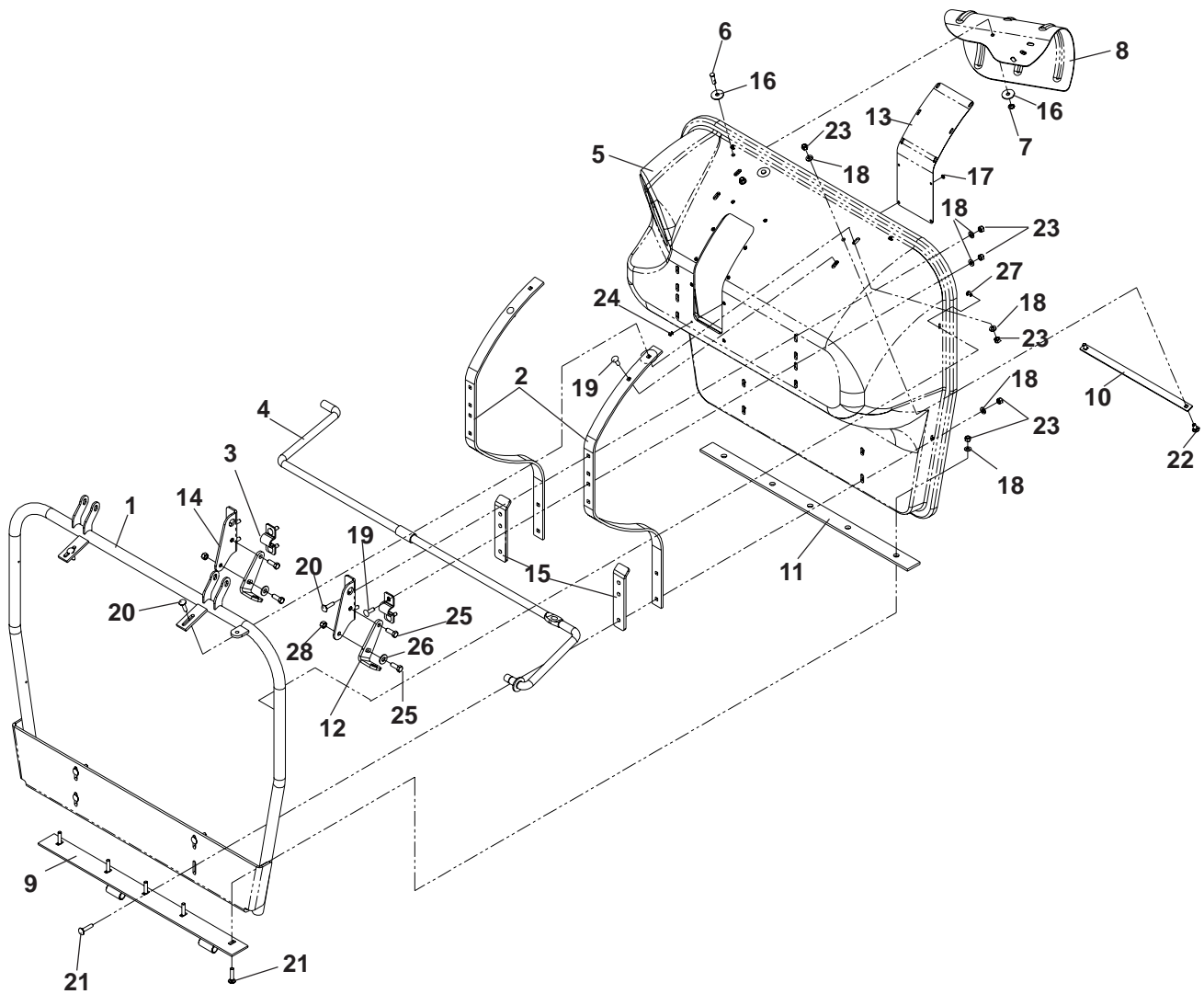
CLAMSHELL REAR ASSEMBLY



CLAMSHELL REAR ASSEMBLY

ITEM	PART NO.	QTY.	DESCRIPTION
1 ...	539 117967 ...	1 ...	REAR FRAME
2 ...	539 119396 ...	2 ...	STRAP
3 ...	539 119367 ...	1 ...	HOOK LATCH
4 ...	539 119377 ...	1 ...	CLAMSHELL BACK
5 ...	539 119458 ...	1 ...	STRAP
6 ...	539 117543 ...	1 ...	CHAMSHHELL VENT
7 ...	539 115677 ...	2 ...	CLIP NUT, 5/16-18
8 ...	539 119412 ...	1 ...	VENT SCHREEN
9 ...	539 115789 ...	3 ...	NYLON WASHER
10 ..	539 990188 .	17 ...	WASHER, 5/16, SAE
11 ..	539 107271 ...	6 ...	RHSSNB, 5/16C X 1.0
12 ..	539 100472 ...	7 ...	RHSNB, 5/16-18 X 1 1/4, GR5
13 ..	539 990254 ...	1 ...	LOCKWASHER, 1/2
14 ..	539 990316 ...	2 ...	RHSNB, 5/16-18 X 3/4, GR5
15 ..	539 990206 ...	2 ...	HCS, 5/16-18 X 3/4, GR5
16 ...	539 115609 ...	1 ...	NUT, 1/2-13, THIN, NYLOC
17 ..	539 990625 ...	1 ...	NUT, 1/2-13, JAM
18 ..	539 990717 .	15 ...	NUT, 5/16-18, NYLOC
19 ...	539 119413 ...	6 ...	LARGE DOME RIVET

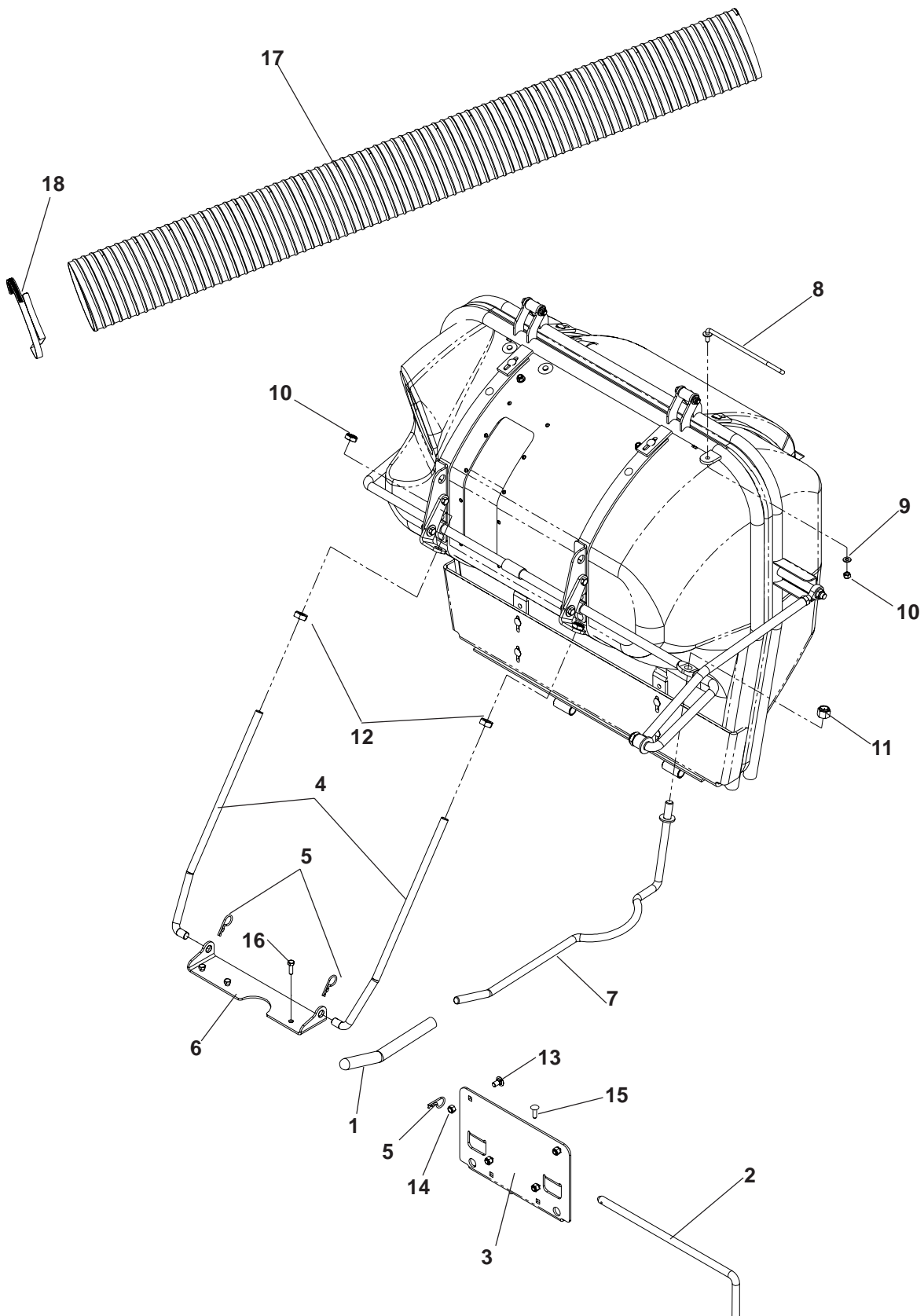
CLAMSHELL FRONT ASSEMBLY



CLAMSHELL FRONT ASSEMBLY

ITEM	PART NO.	QTY.	DESCRIPTION
1	539 119410	1	FRONT FRAME
2	539 119409	2	STRAP
3	539 119368	2	STRAP
4	539 117986	1	LIFT SHAFT
5	539 119376	1	CLAMSHELL, FRONT
6	539 115596	2	CLEVIS PIN, 5/16
7	539 115489	2	RETAINING RING
8	539 119433	1	DEFLECTOR
9	539 114779	1	MOUNT, LOWER, CLAMSHELL
10	539 119458	1	STRAP
11	539 121194	1	CLAMSHELL SPACER
12	539 114782	2	BRACKET, SUPPORT
13	539 115441	1	WINDOW
14	539 114785	2	BRACKET, SUPPORT, UPPER
15	539 117988	2	SPACER PLATE
16	539 115495	4	WASHER, 11/32
17	539 115560	10	WASHER
18	539 990188	23	WASHER, 5/16, SAE
19	539 107271	6	RHSSNB, 5/16C X 1.0
20	539 100472	6	RHSNB, 5/16-18 X 1 1/4, GR5
21	539 102933	9	RHSNB, 5/16-18 X 1 1/2, GR5
22	539 990316	2	RHSNB, 5/16-18 X 3/4, GR5
23	539 990717	23	NUT, 5/16-18, NYLOC
24	539 115661	10	POP RIVE, 5/32
25	539 990563	4	HCS, 3/8-16 X 1, GR5
26	539 990517	2	WASHER, 3/8
27	539 119413	6	LARGE DOME RIVET
28	539 976979	4	NUT, 3/8-16, NYLOC

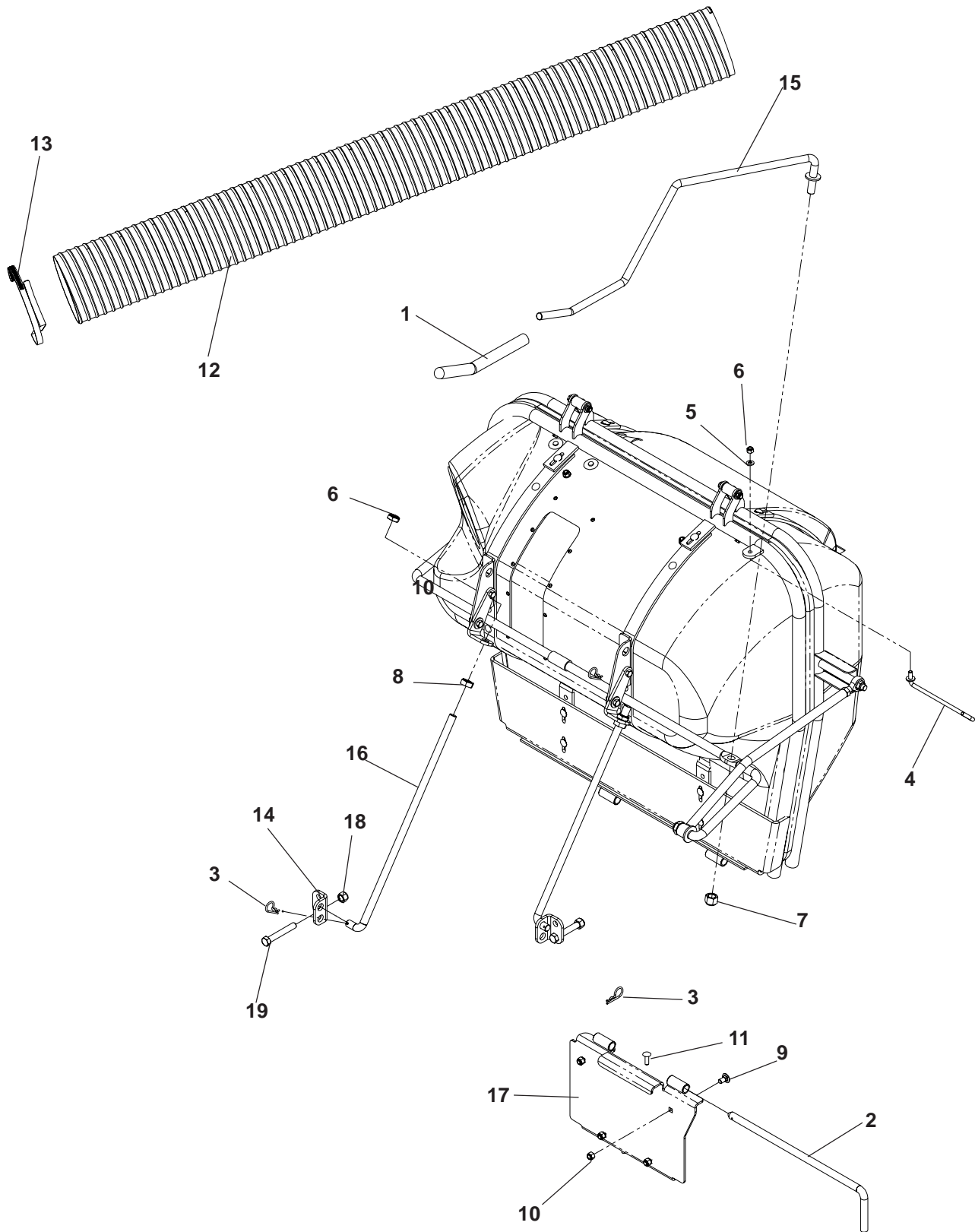
CLAMSHELL LINKAGE - RAM



CLAMSHELL LINKAGE - RAM

ITEM	PART NO.	QTY.	DESCRIPTION
1...	539 116443	... 1 ...	BAR SLEEVE
2...	539 119372	... 1 ...	HINGE PIN
3...	539 114781	... 1 ...	BRACKET, MOUNT, LOWER
4...	539 114783	... 2 ...	LINKAGE, SUPPORT
5...	539 115501	... 3 ...	HAIR PIN COTTER, 1/8 DIA. X 1 3/4
6...	539 114786	... 1 ...	BRACKET, SUPPORT, LINKAGE
7...	539 114824	... 1 ...	LINKAGE, ARM, DUMP
8...	539 114816	... 1 ...	LINKAGE, LATCH
9..	539 990188	... 1 ...	WASHER, 5/16, SAE
10..	539 990717	... 3 ...	NUT, 5/16-18, NYLOC
11...	539 110340	... 1 ...	NUT, 5/8-11C, NYLOC
12..	539 100476	... 2 ...	NUT, 5/8-11, JAM
13...	539 111785	... 4 ...	RHSNB, 3/8-16 X 3/4, GR5
14..	539 976979	... 4 ...	NUT, 3/8-16, NYLOC
15..	539 107271	... 2 ...	RHSSNB, 5/16C X 1
16..	539 990209	... 3 ...	HCS, 5/16-18 X 1, GR5
17...	539 115392	... 1 ...	FLEX HOSE - 60"
18...	539 115719	... 1 ...	HOSE CLAMP

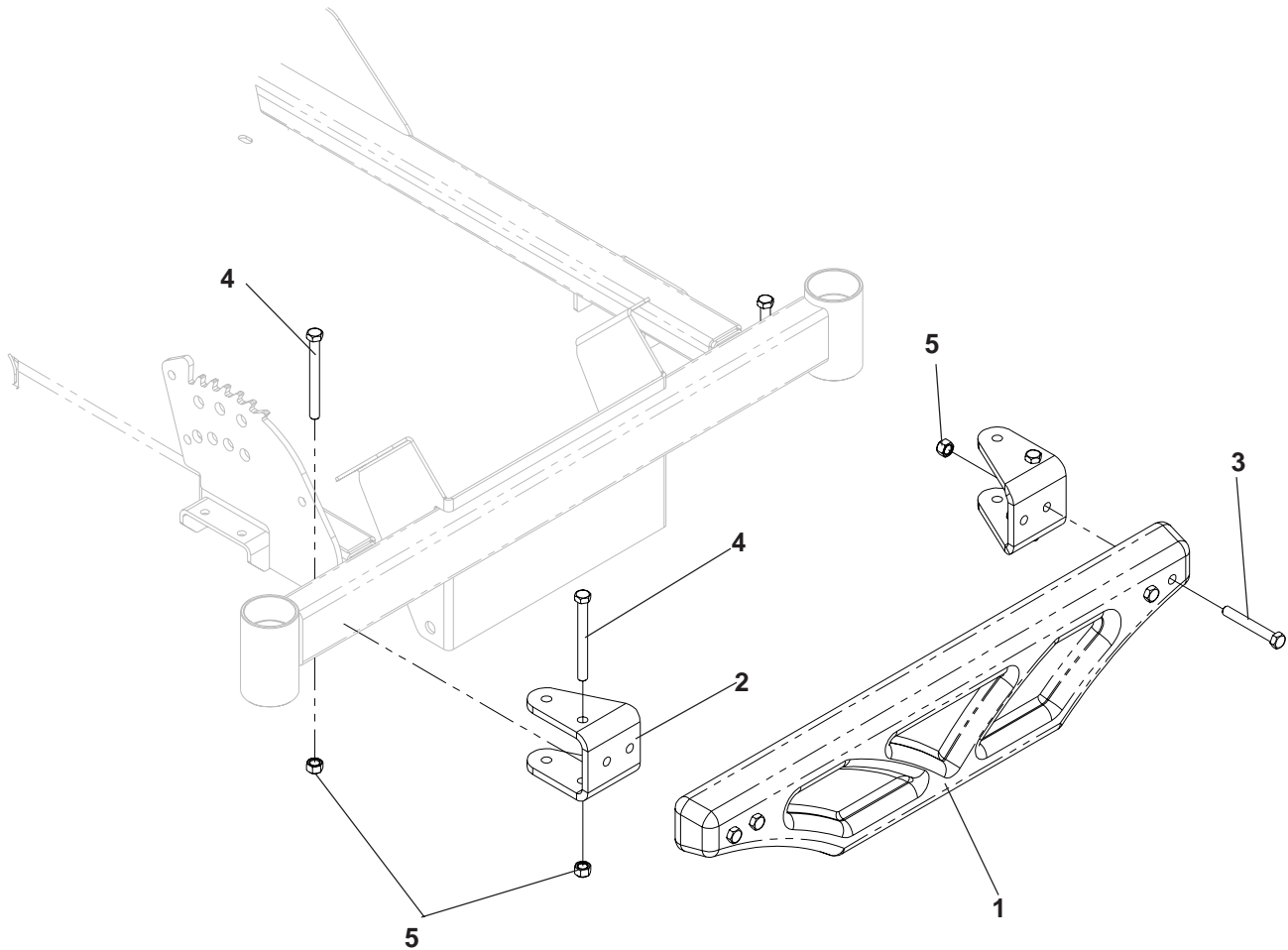
CLAMSHELL LINKAGE - KODIAK



CLAMSHELL LINKAGE - KODIAK

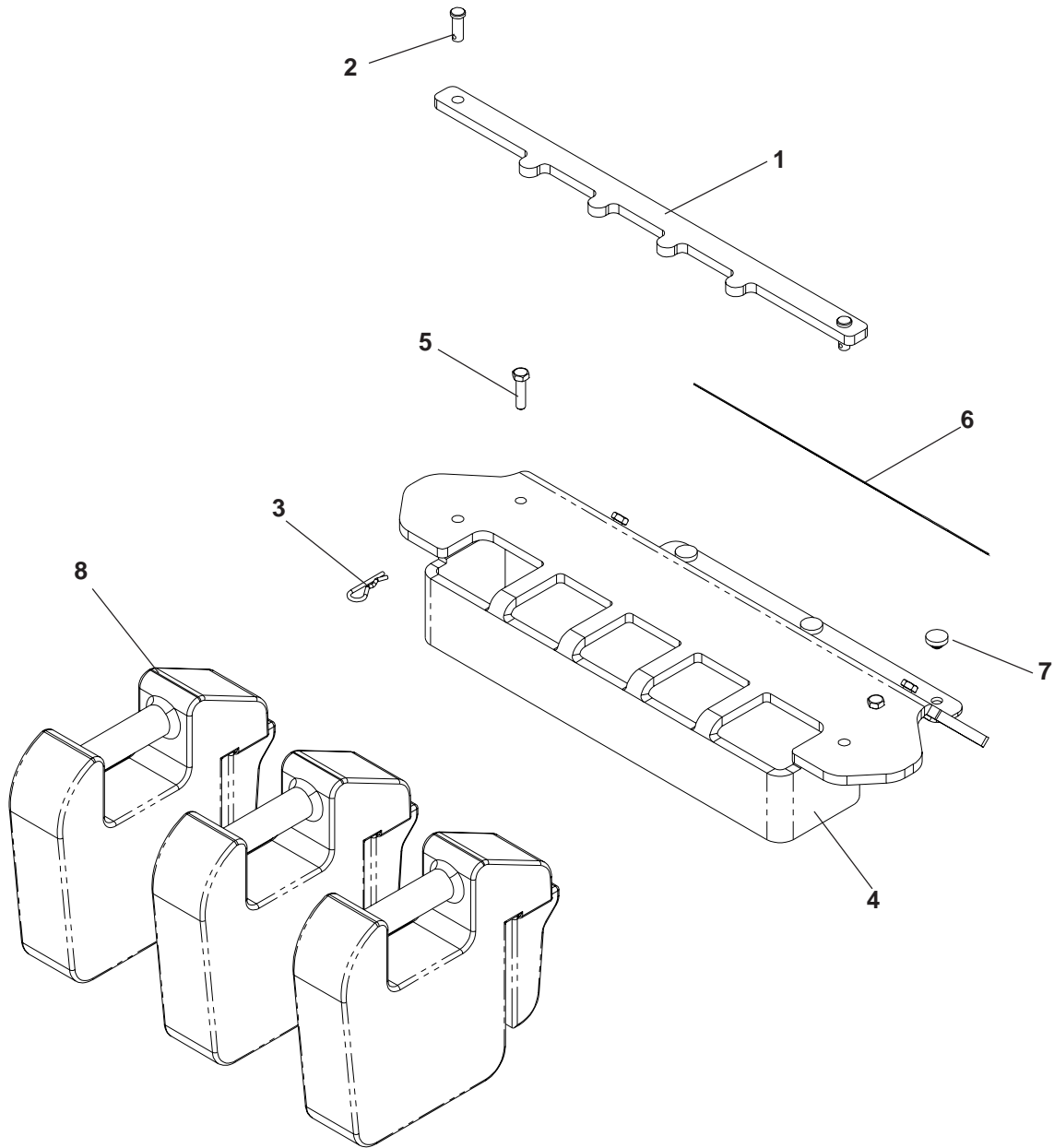
ITEM	PART NO.	QTY.	DESCRIPTION
1...	539 116443	... 1 ...	BAR SLEEVE
2...	539 119372	... 1 ...	HINGE PIN
3...	539 115501	... 3 ...	HAIR PIN COTTER, 1/8 DIA. X 1 3/4
4...	539 114816	... 1 ...	LINKAGE, LATCH
5..	539 990188	... 1 ...	WASHER, 5/16, SAE
6..	539 990717	... 3 ...	NUT, 5/16-18, NYLOC
7...	539 110340	... 1 ...	NUT, 5/8-11C, NYLOC
8..	539 100476	... 2 ...	NUT, 5/8-11, JAM
9...	539 111785	... 4 ...	RHSNB, 3/8-16 X 3/4, GR5
10..	539 976979	... 4 ...	NUT, 3/8-16, NYLOC
11..	539 107271	... 2 ...	RHSSNB, 5/16C X 1
12...	539 115392	... 1 ...	FLEX HOSE - 60"
13...	539 115719	... 1 ...	HOSE CLAMP
14...	539 114811	... 2 ...	BRACKET, SUPPORT
15...	539 114813	... 1 ...	DUMP ARM, KODIAK
16...	539 114812	... 2 ...	LINKAGE SUPPORT
17...	539 114815	... 1 ...	PLATE MOUNT, SUPPORT
18..	539 101331	... 2 ...	NUT, 1/2, NYLOC
19..	539 103433	... 2 ...	HCS, 1/2-13 X 3 1/4, GR5

WEIGHT KIT - RAM



ITEM	PART NO.	QTY.	DESCRIPTION
1...	539 111587 ...	1 ...	CAST WEIGHT
2...	539 114898 ...	2 ...	BRACKET, WEIGHT
3..	539 106492 ...	4...	HCS, 3/8-16 X 2 3/4, GR5
4...	539 991126 ...	4...	HCS, 3/8-16 X 3 3/4, GR5
5..	539 976979 ...	8...	NUT, 3/8-16, NYLOC

WEIGHT KIT - KODIAK



ITEM	PART NO.	QTY.	DESCRIPTION
1...	539 111313	1...	HOLD DOWN, WEIGHT BAR
2..	539 102049	2...	CLEVIS PIN
3..	539 108096	2...	SPRING RETAINER
4...	539 114858	1...	WEIGHT BAR
5..	539 990627	4...	HCS, 5/16-18 X 1 1/4, GR5
6..	539 977778	1...	ABRASIVE PAD
7..	539 102587	3...	GROMMET, BUMPER
8..	539 000019	3...	WEIGHT CAST, FRONT
	... 539 102115	4...	PLASTIC TIE (NOT SHOWN)

Free Manuals Download Website

<http://myh66.com>

<http://usermanuals.us>

<http://www.somanuals.com>

<http://www.4manuals.cc>

<http://www.manual-lib.com>

<http://www.404manual.com>

<http://www.luxmanual.com>

<http://aubethermostatmanual.com>

Golf course search by state

<http://golfingnear.com>

Email search by domain

<http://emailbydomain.com>

Auto manuals search

<http://auto.somanuals.com>

TV manuals search

<http://tv.somanuals.com>