

---

# ECOVAC™

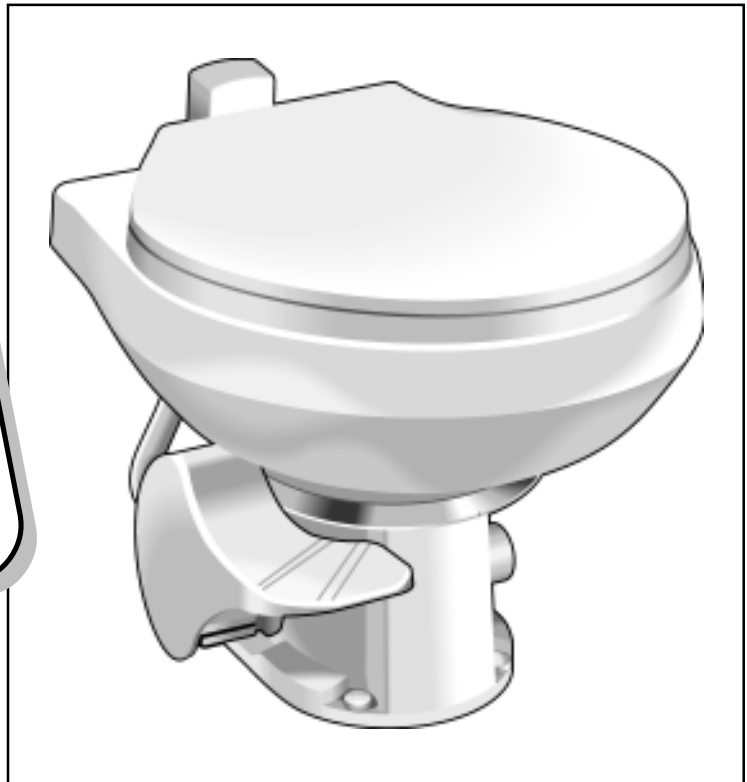
## SANITATION SYSTEM

### OWNER'S MANUAL

---

#### **IMPORTANT NOTICE**

**EcoVac™ sanitation systems must be installed according to Dometic's recommended procedures. Do not attempt installation without first contacting a SeaLand Product certified dealer, your nearest SeaLand Parts Distributor (see page 15), or Dometic.**



#### **WARNING**

**This manual must be read and understood before adjustment, service, or maintenance is performed. Modification of this product can result in property damage.**

 **Dometic®**



**Dometic Corporation • SeaLand**  
13128 State Rt. 226, P.O. Box 38  
Big Prairie, OH 44611-0038 USA  
SeaLand Product Hotline 1-800-321-9886  
(8:00 a.m. - 5:00 p.m. ET)

# TABLE OF CONTENTS

	<u>Page</u>		<u>Page</u>
Product Features .....	2	Vacuum Tester .....	6
Key System Components .....	3	Service Tip .....	6
Toilet Model Identification .....	4	Troubleshooting Guide .....	7 - 9
Toilet Operation .....	4	Dimensional Specifications .....	10
Proper Cleaning .....	5	Parts Lists .....	10 - 13
Winterizing .....	5	Wiring Diagrams .....	14
Convenience Products .....	5	Parts Distributors .....	15
Maintenance .....	6	Manufacturer's One-Year Limited Warranty	16
Ordering Parts .....	6		



**WARNING – HIGH VOLTAGE SYSTEM.**  
Turn off electrical power before servicing.



**WARNING – PUMP STARTS AUTOMATICALLY.**  
Turn off electrical power before servicing.

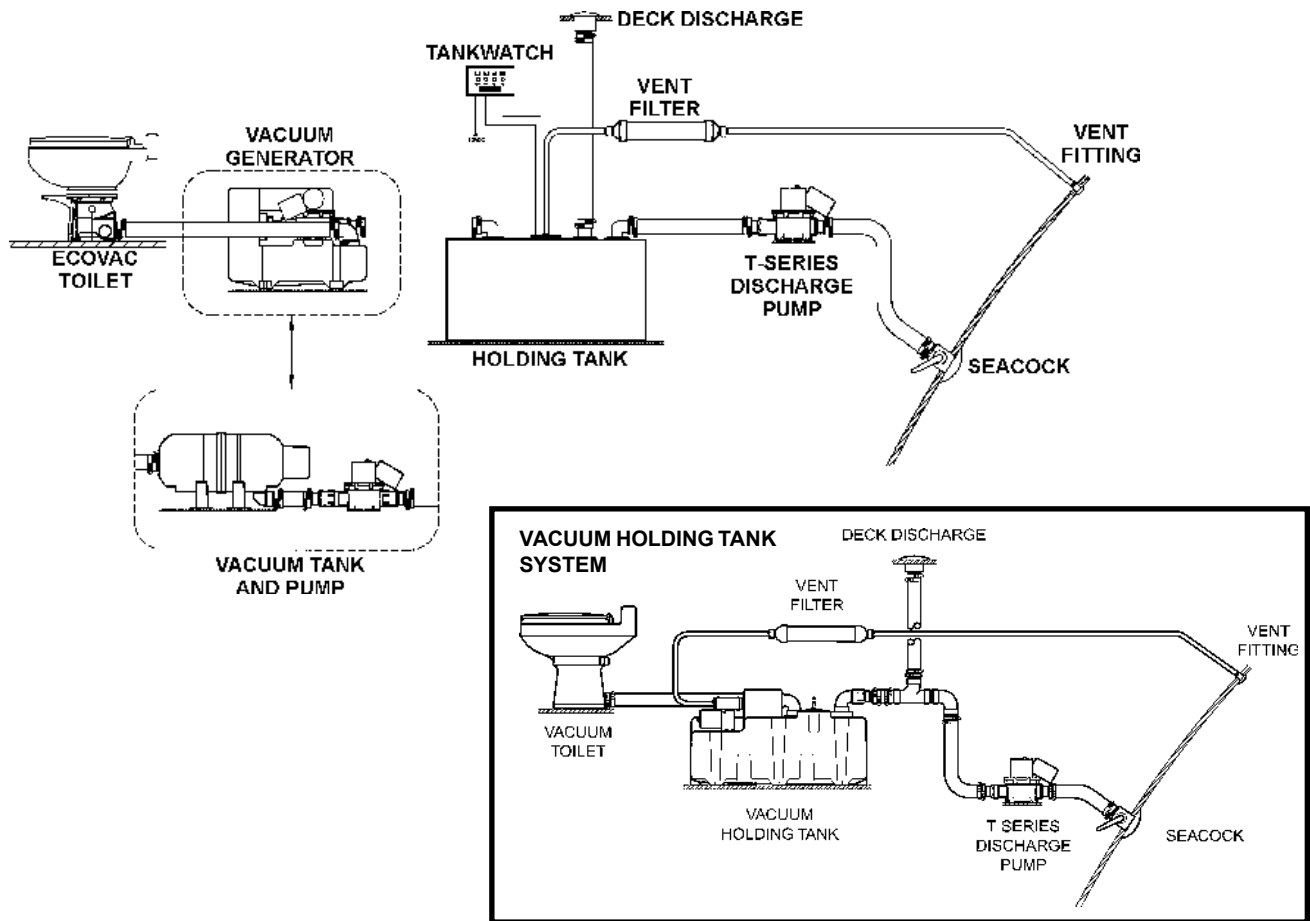
## PRODUCT FEATURES

Dometic brings the technology, comfort and efficiency of EcoVac Sanitation Systems in an easy-to-use and easy-to-maintain package.

- **Freshwater Flush**
  - Eliminates the unpleasant sulfide odors which plague saltwater systems.
  - Eliminates the need to draw flush water through the through-hull, seacock and vented loop.
  - Significantly extends life of system components by eliminating salt water and impurities from accumulating in the system over time.
- **Efficient Design**
  - Consumes a little over a pint of water per flush and allows boat owners to use a small waste tank. The EcoVac system fills a 10-gallon tank in the same time that an electric toilet fills a 40-gallon (113.6 liter) tank.
  - Uses only 4-6 amps per flush on 12VDC.
- **Delightful Operation**
  - Simple one-lever flush control. No complex instructions needed.
  - Comfortable adult-sized seat.
  - Large water surface maintains clean bowl.
  - Vitreous china bowl.
- **Reliability is Built-In**
  - USCG Certified Type III Marine Sanitation Device.
  - No impellers or macerators – vacuum pump motor can run dry without burning up. No dynamic seals.
  - Vacuum tank and vacuum generator design eliminates clogging problems associated with other systems.
- **Dispose of Sewage Conveniently and Safely**
  - Toilet can be used without discharging sewage into sensitive waters.
  - Holding tank discharge is at a dockside pump or at sea with optional overboard discharge.
  - No portable toilet tanks to haul or dump.
- **Backed by the Best in Service and Quality**
  - The EcoVac system is from the leader in marine sanitation.
  - Worldwide parts availability and technical backup.

Dometic reserves the right to change specifications without notice.

## KEY SYSTEM COMPONENTS



**Vacuum Toilet:** The EcoVac toilet operates in a way different from other marine toilets. EcoVac systems use a small amount of water (a little more than a pint) per flush in addition to a simple vacuum. The toilet is connected to a pressurized freshwater system. Fresh water is the key to an **odor-free bathroom compartment**. EcoVac toilets are equipped with an integral vacuum breaker which prevents the possible contamination of the potable water supply.

**Vacuum Tank:** The vacuum tank stores vacuum energy. System vacuum level is monitored by a vacuum switch located on the vacuum tank. When this switch senses a drop in vacuum in the system, it automatically signals the pump to energize and bring the vacuum to operating level. This process is normally completed in less than one minute. In a properly operating system, the stored vacuum will leak down between flushes, causing the vacuum pump to run for a short period.

**Vacuum Pump:** The vacuum pump is an electric, straight-through bellows type. It is manufactured of long-lasting polypropylene and draws only 4 to 6 amps of current at 12 VDC. This unique pump design is both an efficient air and liquid pump, and handles solids without a problem. It has two duckbill valves on each side of the pump chamber.

**Vacuum Generator:** The vacuum generator combines the vacuum tank and vacuum pump in one unit. It greatly reduces installation time and eliminates the hose run between the tank and pump. Its compact size makes it especially well-suited to smaller crafts.

**Vacuum Holding Tank:** The vacuum holding tank combines the vacuum tank, vacuum pump and holding tank. Refer to the Vacuum Holding Tank Owner's Manual (Part No. 343026) for installation and troubleshooting information.

# TOILET MODEL IDENTIFICATION

## DOMETIC CORPORATION

P.O. BOX 38, 13128 STATE RT 226 (800) 321-9886  
BIG PRAIRIE, OH 44611 USA

MODEL NO. **000**

SERIAL NUMBER

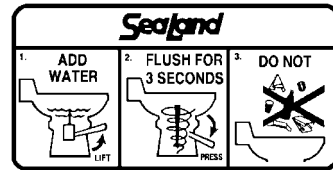
**000000**

The above label is located on the toilet base and will show the model number and serial number. If label is not available, please refer to the Dimensional Specifications section for toilet model identification.

# TOILET OPERATION

## IMPORTANT INFORMATION BEFORE OPERATION

1. Fill freshwater tank and add deodorant to holding tank through toilet bowl. (See System Start-Up section.)
2. Make sure all guests understand the operation of the EcoVac system and the instruction label is in plain sight and easy for guests to read. **If this label is not included in this manual, please contact the SeaLand Product Customer Service Department immediately.**
3. Remember the vacuum pump starts automatically. Shut off the system before servicing and do not leave the boat with toilet system breaker on.
4. **Never use drain openers, alcohol, solvents, etc. in the system.**
5. If the system does not function properly, refer to the Troubleshooting section of this manual and repair as necessary. If problem persists, contact your local SeaLand product dealer.



## SYSTEM START-UP

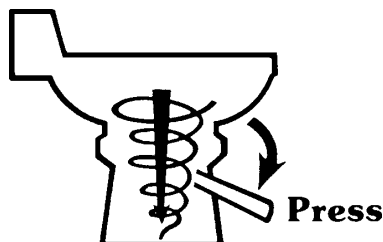
1. Turn on electrical power to system.
2. Flush water into system by depressing flush lever until water starts flowing to the vacuum pump, approximately 15 seconds. This wets the pump interior for efficient operation. If vacuum pump does not run, check for loose electrical connections. Refer to the wiring diagram at the end of the Troubleshooting Guide section.
3. The vacuum pump will run for approximately 30 to 90 seconds until system reaches operating vacuum level and then will shut off.

## NORMAL OPERATION

1. To add water to the toilet before using, raise flush lever until desired water level is reached. Generally, more water is required only when flushing solids.



2. To flush toilet, press flush lever sharply down to the floor until contents clear bowl. A sharp popping noise is normal when the vacuum seal is broken and flushing action begins. Be sure to hold lever down for three (3) seconds. If flush lever is accidentally released before waste clears bowl, do not attempt to flush toilet again until vacuum pump stops running. A small amount of water should remain in the bowl after flushing.



3. Do not dispose of sanitary napkins or other non-dissolving items in toilet, such as facial tissue or paper towels. These items can cause plugging of the system.



**NOTE:** Make sure all guests understand the operation of the EcoVac toilet, and that the instruction label is easy to read and in plain sight.

## PROPER CLEANING

The EcoVac toilet should be cleaned regularly for maximum sanitation and operational efficiency. You can clean it just as you would a household toilet. **Do not use caustic chemicals, such as drain-opening types, as they will damage the seals.**

**BOWL CLEANING:** For stubborn stains, use SeaLand® Bowl and Seal Cleaner (Fig. A). It's manufactured especially for use with SeaLand toilets. In certain locations where water is hard, a build-up of lime may dull the toilet bowl finish. Restore the shine with this SeaLand cleaner. If you cannot find it in your area, contact SeaLand for your nearest dealer. If the cleaner is not available, you can also use Bar Keepers Friend® cleanser. It is not necessary to vigorously scrub with either product. Please follow label instructions.



Fig. A

**SEAL CLEANING:** After an extended time, mineral deposits from hard water can build up under the edge of the rubber bowl seal, resulting in a slow leakdown of water from the bowl. To prevent this mineral build-up, periodically clean under the bowl seal with SeaLand Bowl and Seal Cleaner (Fig. B).

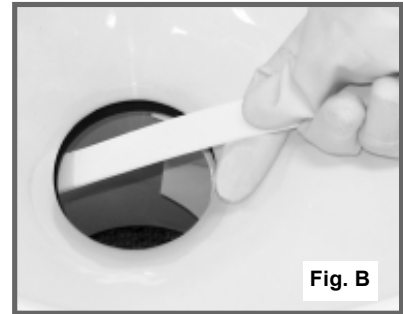


Fig. B

1. Shut off water supply.
2. Apply cleaner onto the seal cleaning tool (supplied with new toilet), open the flush ball by pressing on flush lever, and scrub under the seal. Make sure to push bristles between bottom of seal and top of flush ball surface to scrub all parts of seal that come into contact with flush ball.
3. Close ball and wait 2-3 minutes.
4. Open flush ball. Use brush and water to rinse away cleanser and loosened deposits.

## WINTERIZING

At the end of each season, the SeaLand toilet should be winterized for storage, by either draining or using potable water-safe antifreeze in the system.

### To drain:

1. Thoroughly flush system with fresh water.
2. Empty holding tank.
3. Shut off water supply to toilet(s), and remove inlet waterline (Fig. C).  
**Do not remove brass cap on bottom of valve.**
4. Press flush lever until all water is drained from toilet(s).

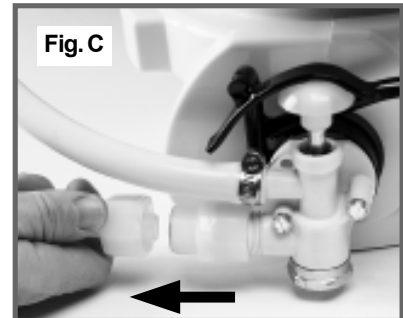


Fig. C

### To use antifreeze:

1. Drain potable water tank.
2. Add freshwater antifreeze to potable water tank.
3. Flush potable water antifreeze and water mixture through toilet(s) and into the waste holding tank. Each installation is different, so amounts may vary. User discretion is required to assure adequate protection.
4. Empty holding tank.

**NOTE:** Use nontoxic antifreeze designated for potable water systems. (See vehicle owner's manual.)

**CAUTION:** Never use automotive-type antifreeze in freshwater systems.

## CONVENIENCE PRODUCTS

Your marine dealer has SeaLand deodorants, tissue and other accessories on hand to make using and maintaining your EcoVac toilet system as easy as possible.

### SeaLand® Liquid Deodorant

Two 8-oz. bottles

**Part No.  
379224008**



### SeaLand® Cleaner

16-oz. bottle

**Part No.  
379314016**



### SeaLand® Rapid-Dissolving Toilet Tissue

Four 400-sheet rolls

**Part No.  
379441204**



---

## MAINTENANCE

---

Maintenance intervals and normal parts replacement vary widely depending on numerous factors such as: type of vessel, frequency of system use, quality of flushing water, etc. The chart below is intended strictly as a general guideline. Owner discretion and consideration of actual usage must be the first basis for determining proper maintenance levels.

Maintenance Procedure	Part Number	Approximate Maintenance Level
Follow cleaning procedures above.	—	Monthly
Tighten all clamps, including base clamp ring.*	—	Annually
Check all wire connections.	—	Annually
Check & tighten water valve mounting screws.	—	Annually
Clean filter screen in water valve.	—	Annually
Check pump and in-line valves.	347802	2-3 years or as needed
Check toilet seals.	316140	3-5 years or as needed
Check vacuum breaker.	316906	3-5 years or as needed
Check water valve.	314349	3-5 years or as needed

\*See Base Assembly - Page 7.

---

## ORDERING PARTS

---

Dometic is ready to assist you in the event service is required. Before calling, please have the following information available. Your cooperation in having this information ready is appreciated and allows our Customer Service Department to better meet your needs. When you call, we will direct you to the nearest stocking parts distributor.

1. Toilet Model Number
2. Serial Number
3. Part Number, Description and Quantity (See Parts Lists for information.)

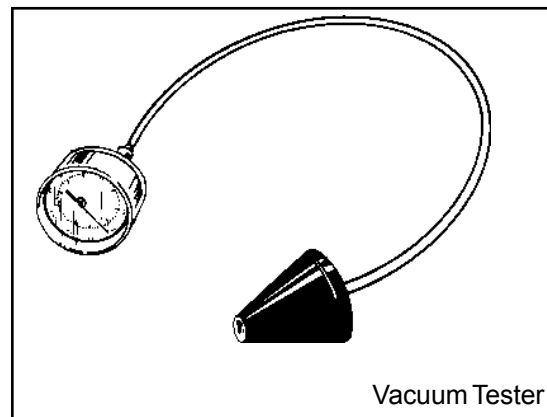
---

## VACUUM TESTER

---

Dometic has developed a simple tool to assist in identifying the location of vacuum leaks. The vacuum tester consists of a vacuum gauge and a cone-shaped plug. Inserting the plug in the inlet of the vacuum tank or generator isolates the toilet from the system. In this way a troublesome leak can easily be located in either system.

Order only the Vacuum Tester (Part Number 530002) or as part of the complete system maintenance kit (Part Number 310228).



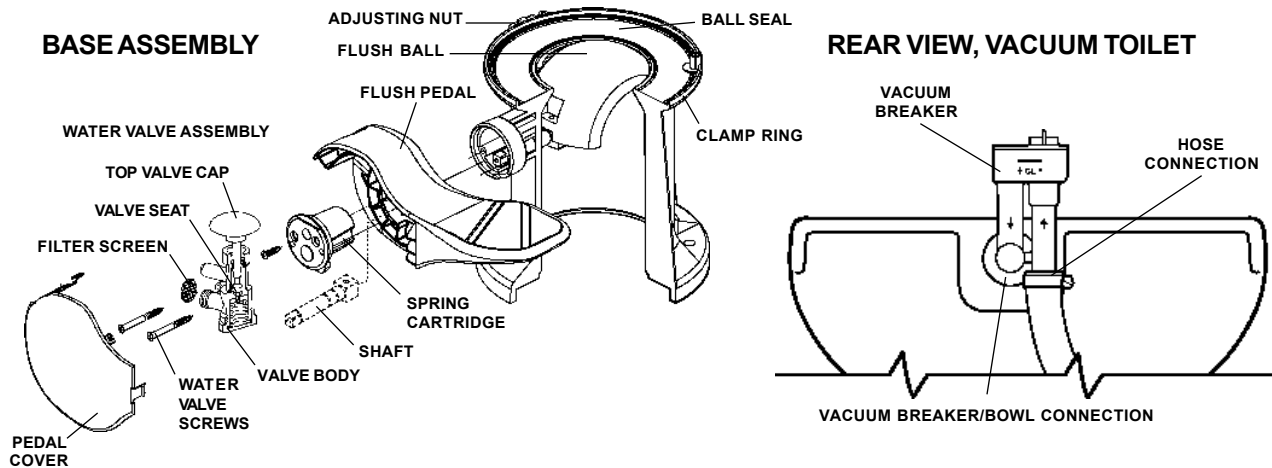
---

## SERVICE TIP

---

Checking for leaks behind or under toilets or other appliances can make it difficult to locate the source. Dripping water at room temperature makes it difficult to feel wetness. Taking four or five sheets of toilet tissue and wiping all seams and waterline connections offers a simple means of locating the general area of the leakage. Start at the top of the unit since gravity will cause a leak to run downward. When the tissue comes in contact with the leaking water, it will immediately change texture.

# TROUBLESHOOTING GUIDE



Problem	Possible Cause	Service Instructions
1. Water will not stay in bowl.	<ul style="list-style-type: none"> <li>a. Loose clamp ring.</li> <li>b. Improper seal around flush ball due to dirt or debris on underside of ball seal.</li> <li>c. Worn or damaged seal.</li> <li>d. Worn or damaged flush ball.</li> </ul>	<ul style="list-style-type: none"> <li>a. Tighten clamp ring adjusting nut.</li> <li>b. Inspect flush ball and underside of seal for foreign objects. Clean under seal if needed (cleaning tool available – p/n 600344236).</li> <li>c. Replace seal.</li> <li>d. Replace flush ball.</li> </ul>
2. Plastic flush ball will not close completely.	<ul style="list-style-type: none"> <li>a. Too much friction between flush ball and ball seal.</li> <li>b. Water valve screws are too tight.</li> <li>c. Defective spring cartridge.</li> </ul>	<ul style="list-style-type: none"> <li>a. Lubricate between flush ball and ball seal with furniture polish or cooking spray.</li> <li>b. Loosen screws slightly.</li> <li>c. Check spring tension by pushing flush lever down, then release it suddenly. If lever does not snap back into original position, replace spring cartridge.</li> </ul>
3. Flush ball will not open.	<ul style="list-style-type: none"> <li>a. Broken shaft.</li> <li>b. Shaft not fully engaged in the spring cartridge.</li> </ul>	<ul style="list-style-type: none"> <li>a. Replace shaft.</li> <li>b. Put pressure on shaft from under the flush ball (pushing into spring cartridge) until it engages. You may have to rotate flush ball slightly until shaft lines up with square in spring cartridge.</li> </ul>
4. Water does not shut off in toilet (toilet overflows).	<ul style="list-style-type: none"> <li>a. Dirt lodged in water valve seal.</li> </ul>	<ul style="list-style-type: none"> <li>a. Disassemble and clean water valve.</li> </ul>
5. Water does not enter toilet bowl properly.	<ul style="list-style-type: none"> <li>a. Insufficient water flow rate at toilet.</li> <li>b. Water valve clogged.</li> <li>c. Plugged rim wash holes in toilet.</li> </ul>	<ul style="list-style-type: none"> <li>a. Check water flow rate at toilet. Rate should be 2 gpm (7.6 lpm) at toilet.</li> <li>b. Remove and clean screen located at inlet of water valve.</li> <li>c. Clean holes. If still a problem, replace the toilet bowl.</li> </ul>
6. Water leaking from water valve.	<ul style="list-style-type: none"> <li>a. Water valve body cracked due to freeze damage.</li> <li>b. Water line connection is loose or not seated properly.</li> <li>c. Defective water valve.</li> <li>d. Stripped threads.</li> </ul>	<ul style="list-style-type: none"> <li>a. Replace water valve.</li> <li>b. Insure that threads are not cross-threaded and tighten.</li> <li>c. Replace water valve.</li> <li>d. Replace water valve.</li> </ul>

## TROUBLESHOOTING GUIDE (cont'd)

Problem	Possible Cause	Service Instructions
7. Water leaking from rear of toilet bowl.	<ul style="list-style-type: none"> <li>a. Worn or defective vacuum breaker.</li> <li>b. Loose vacuum breaker.</li> <li>c. Cracked or defective toilet bowl.</li> </ul>	<ul style="list-style-type: none"> <li>a. Remove vacuum breaker cover and look into top of vacuum breaker. Flush toilet. If water leaks during flush, vacuum breaker needs to be replaced.</li> <li>b. Secure vacuum breaker connection.</li> <li>c. Replace toilet bowl.</li> </ul>
8. Water is leaking from the base/toilet connection.	<ul style="list-style-type: none"> <li>a. Clamp ring may be loose.</li> <li>b. Ball seals may be worn or defective.</li> </ul>	<ul style="list-style-type: none"> <li>a. Remove plastic base cover (on applicable models) and tighten the clamp ring.</li> <li>b. Replace ball seals.</li> </ul>
9. Vacuum pump running too often between flushes. (See Vacuum Tester Information on page 6.)	<ul style="list-style-type: none"> <li>a. Water leaks out of bowl between flush ball and ball seal.</li> <li>b. Vacuum line leak.</li> </ul>	<ul style="list-style-type: none"> <li>a. Leave small amount of water in bowl. If water is sucked from bowl, see problems 1 and 2.</li> <li>b. Tighten all connections at toilet, vacuum generator or vacuum holding tank (including hose clamps and threaded spin nuts). If leaks persists, contact SeaLand Product Customer Service.</li> </ul>
10. Vacuum pump will not shut off.	<ul style="list-style-type: none"> <li>a. A vacuum leak exists.</li> <li>b. Insufficient vacuum (pump creates less than 10 inches Hg).</li> <li>c. Faulty vacuum switch (pump creates more than 10 inches Hg).</li> <li>d. Improper wiring.</li> <li>e. Bellows not pumping.</li> </ul>	<ul style="list-style-type: none"> <li>a. See problem 8b.</li> <li>b. Isolate pump and use vacuum gauge to check vacuum levels. Could be a plugged discharge line or worn duckbill valves.</li> <li>c. Replace vacuum switch.</li> <li>d. See wiring diagram to check for proper wiring.</li> <li>e. Tighten set screw in eccentric to motor shaft. Otherwise, check for damage to bellows and motor shaft. Replace if necessary.</li> </ul>
11. Vacuum pump will not run.	<ul style="list-style-type: none"> <li>a. No electrical power.</li> <li>b. Loose or broken electrical wiring.</li> <li>c. Improper electrical connections.</li> <li>d. Faulty vacuum switch.</li> <li>e. Faulty motor.</li> <li>f. Shut-down relay prevents pumping.</li> </ul>	<ul style="list-style-type: none"> <li>a. Check input power, circuit breaker and fuse.</li> <li>b. Tighten or reconnect wires at vacuum pump and tank, vacuum generator, or vacuum holding tank.</li> <li>c. Be sure wires at vacuum switch are connected to "B" terminals.</li> <li>d. Check vacuum switch. Short across "B" terminals with jumper wire.</li> <li>e. Replace motor.</li> <li>f. Empty the holding tank.</li> </ul>
12. Vacuum pump is running too slow, overheating, blowing fuses or circuit breaker.	<ul style="list-style-type: none"> <li>a. Gear motor is worn or defective.</li> <li>b. Plugged vent line or vent filter.</li> <li>c. Blockage in discharge line.</li> <li>d. Improper wire size.</li> <li>e. Improper voltage.</li> <li>f. Vacuum pump bellows clogged with tissue.</li> </ul>	<ul style="list-style-type: none"> <li>a. Check motor and replace if necessary.</li> <li>b. Disassemble and clean out vent line. Replace vent filter if necessary.</li> <li>c. Disassemble and clean discharge line. Be certain that in-line valves (duckbill valves) and seacock are in proper position.</li> <li>d. Wire size too small. Check electrical diagram for proper wire size for voltage of pump used.</li> <li>e. Check input power for low voltage.</li> <li>f. Remove and clean bellows assembly. (When flushing toilet, use of more water may alleviate this problem.)</li> </ul>

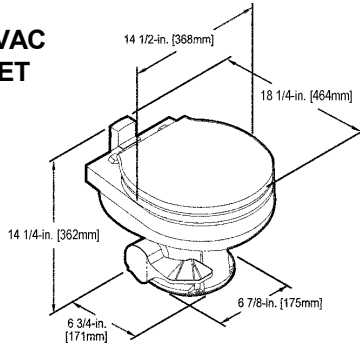


## TROUBLESHOOTING GUIDE (cont'd)

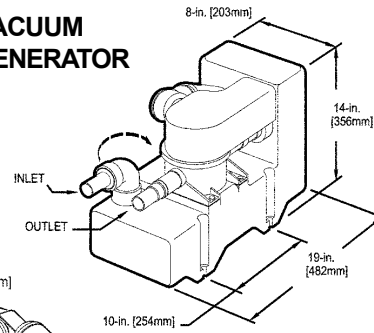
Problem	Possible Cause	Service Instructions
<p>13. Toilet will not flush. (No vacuum.) See problems 3 and 14 if necessary.</p>	<p>a. There is a blockage in the system.</p> <p>b. Pump will not run.</p> <p>c. Duckbill valves in vacuum pump are inverted due to blocked discharge line or an attempt to pump out against closed seacock.</p>	<p>a. Open flush ball and check the 1-inch (25mm) orifice at the bottom of the base for blockage and dislodge it. <b>Never use drain-opening or other household plumbing chemicals.</b> If blockage is not in base, it may be found in these locations:</p> <ul style="list-style-type: none"> <li>• inlet of vacuum generator</li> <li>• diptube of vacuum generator</li> <li>• inlet of vacuum pump</li> <li>• outlet of vacuum tank</li> </ul> <p>b. See problem 11.</p> <p>c. Replace duckbill valves, making sure they point in the correct direction.</p>
<p>14. Blockage between toilet and vacuum generator.</p>	<p>a. Collapsed vacuum line.</p> <p>b. Sharp bends or kinks in vacuum hose.</p> <p>c. Improper operation of toilet.</p> <p>d. Foreign objects were flushed down toilet.</p>	<p>a. Inspect vacuum line for collapsed condition and replace line if needed.</p> <p>b. Inspect vacuum hose for kinks or bends. If less than 8.5-inches (216mm) radius on any bend, reposition hose to achieve minimum 8.5-inch bend radius.</p> <p>c. Make sure each person using toilet knows correct procedure.</p> <p>d. DO NOT flush any non-dissolving items (i.e. sanitary napkins, facial tissue, wet strength tissue, paper towels, etc.) or excessive toilet tissue. Rapid-dissolving SeaLand brand toilet tissue is best.</p>
<p>15. Pump emits odor.</p>	<p>a. Loose or defective hose connection on pump.</p> <p>b. Loose intake or discharge fittings on pump.</p> <p>c. Worn, torn or punctured pump bellows (vacuum generator) or diaphragm (vacuum holding tank).</p>	<p>a. Tighten connections or replace hose and make new connections.</p> <p>b. Tighten intake or discharge fittings on pump. Replace nipples or adapters if necessary.</p> <p>c. Replace pump bellows or diaphragm.</p>

# DIMENSIONAL SPECIFICATIONS

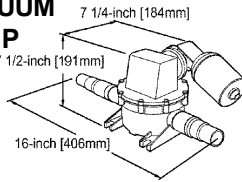
## ECOVAC TOILET



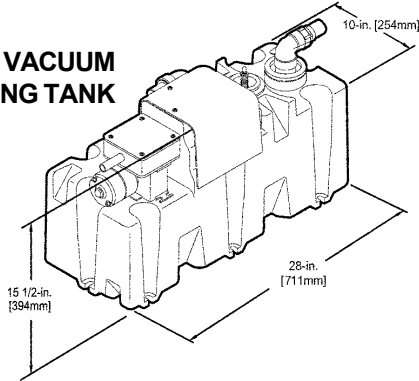
## VACUUM GENERATOR



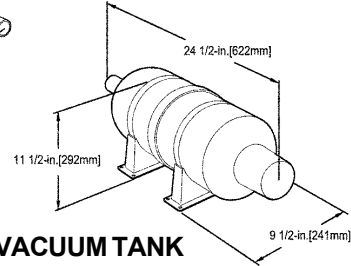
## VACUUM PUMP



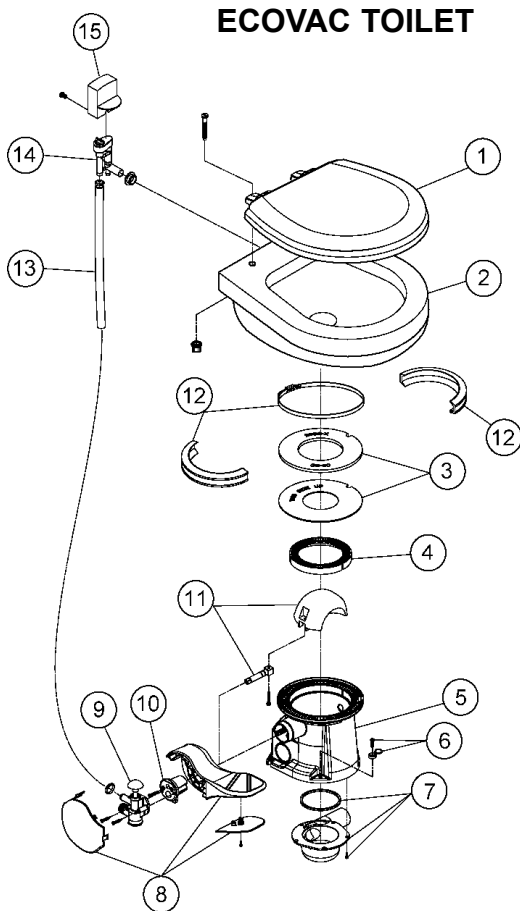
## VACUUM HOLDING TANK



## VACUUM TANK



# PARTS LIST

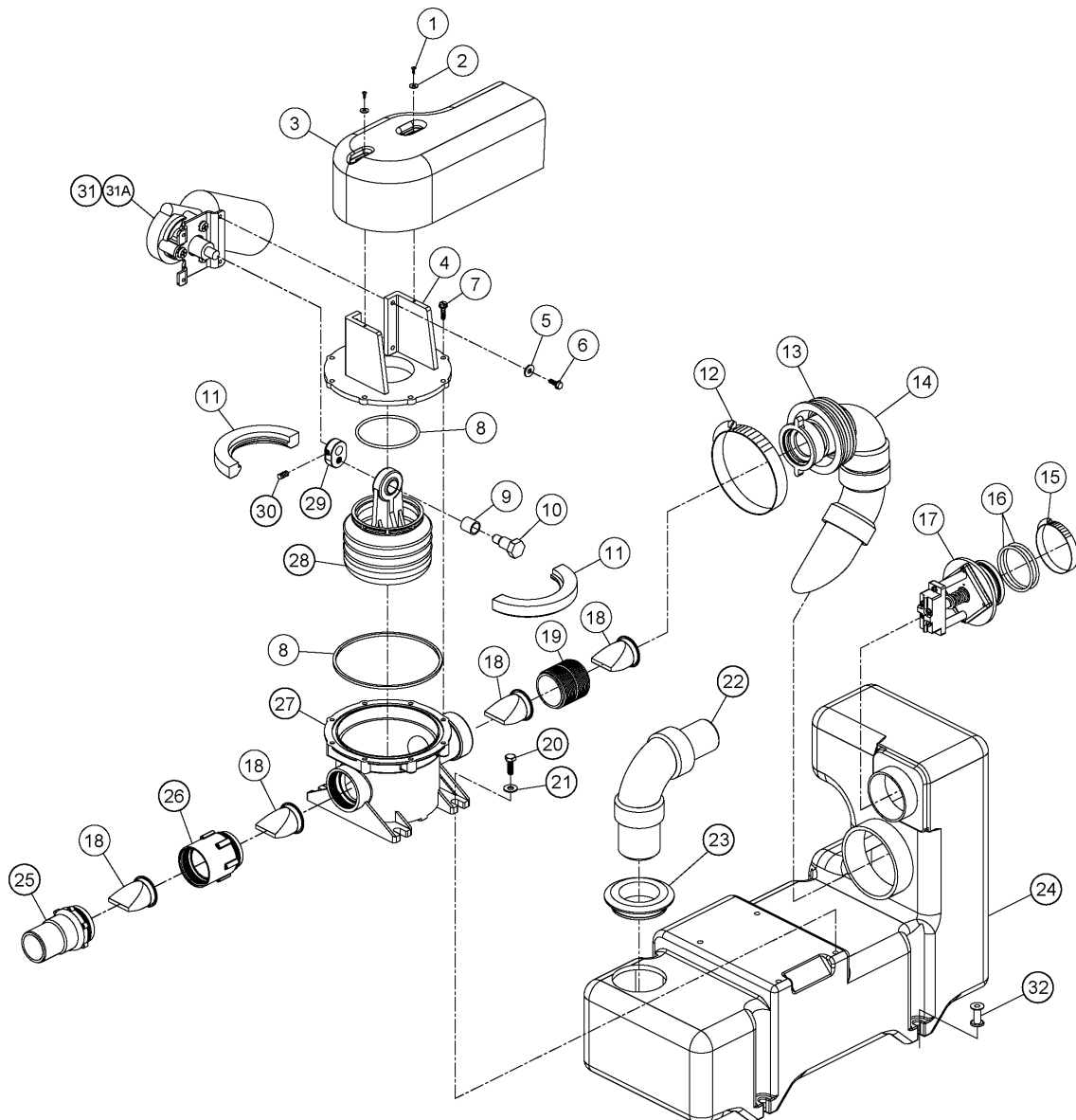


Item	Part No.	Description
1	385344436	Seat Assembly, White
	385344437	Seat Assembly, Bone
2	385310676	China Bowl, White
	385310781	China Bowl, Bone
3	385310677	Teflon® & Rubber Seal Kit
4	600343534	Ring, EcoVac Base
5	385310685	EcoVac Right-hand Discharge Base Kit (includes items 3 – 12), White
	385310975	EcoVac Left-hand Discharge Base Kit (includes items 3-12), White
	385310686	EcoVac Rear Discharge Base Kit (includes items 3 – 12), White
	385310783	EcoVac Right-hand Discharge Base Kit (includes items 3 – 12), Bone
	385310976	EcoVac Left-hand Discharge Base Kit (includes items 3 – 12), Bone
	385310784	EcoVac Rear Discharge Base Kit (includes items 3 – 12), Bone
6	385310679	Mounting Kit, White
	385310785	Mounting Kit, Bone
7	385310680	Discharge Kit, Right-Rear
	385310936	Discharge Kit, Left
8	385310682	Flush Pedal (includes item 10), White
	385310786	Flush Pedal (includes item 10), Bone
9	385314349	Water Valve Kit
10	385310683	Spring Cartridge Kit
11	385310681	Ball, Shaft & Cartridge Kit (includes item 10)
12	385310025	Ring & Half Clamp Kit, White
	385310048	Ring & Half Clamp Kit, Bone
13	600345377	Supply Hose, White
	600340177	Supply Hose, Bone
14	385310687	Vacuum Breaker Kit
15	385310696	Vacuum Breaker Cover Kit, White
	385310782	Vacuum Breaker Cover Kit, Bone

# PARTS LIST (cont'd)

## VACUUM GENERATOR

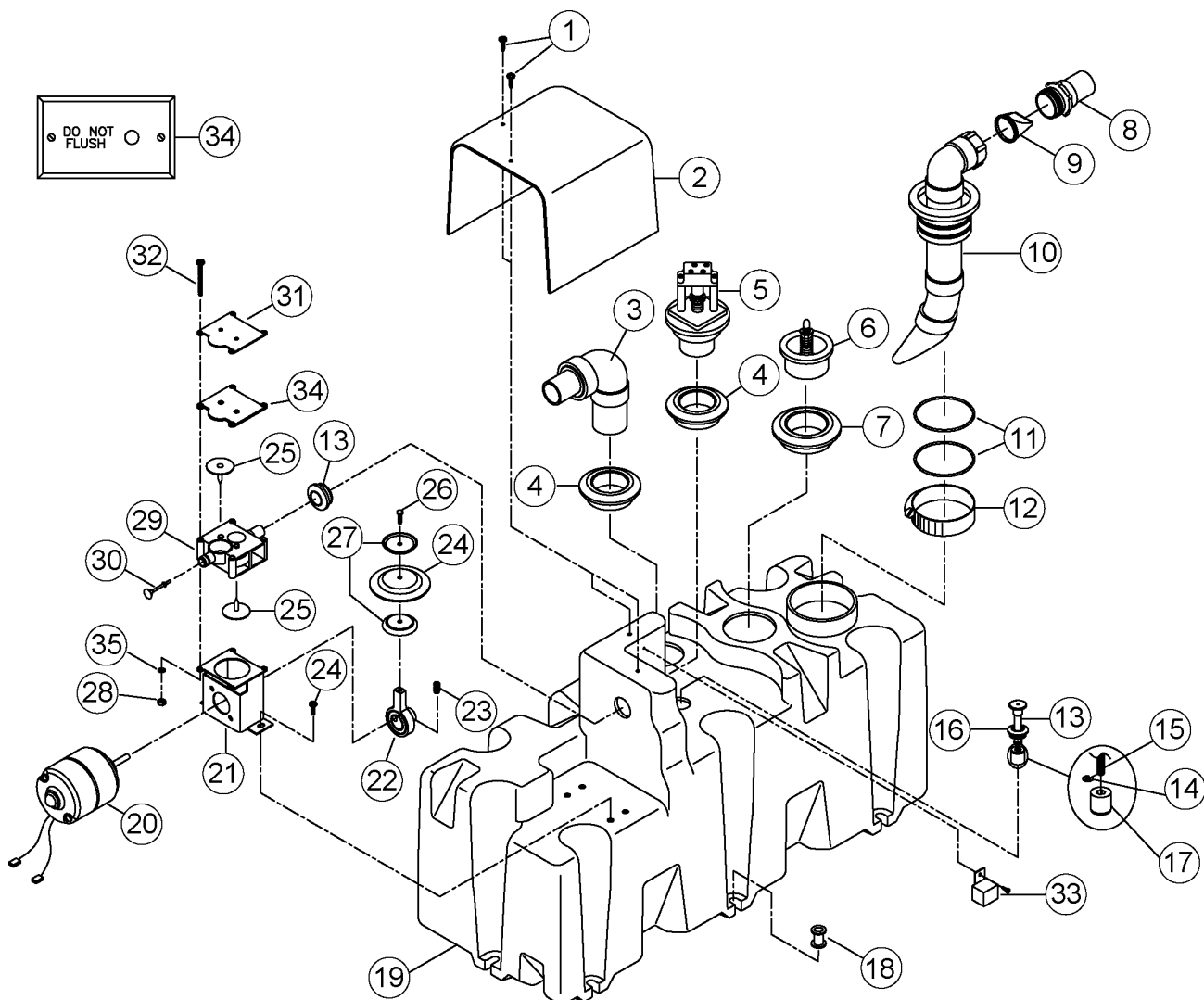
Item	Part No.	Description	Item	Part No.	Description
1	600340237	Pan Phillips Head Screw, #4 x 3/8", SS	19	600342789	1 1/2" NPT Close Nipple
2	600343027	Flat Washer, .312" OD x .030 Thick, SS	20	600342467	1/4-20 x 3/4" Hex Head Screw, SS
3	600342804	Motor/Switch Cover	21	600346795	Flat Washer, .625" OD x .281" ID x .050
4	600341506	Pump Top Closure	22	385310635	Inlet Elbow Kit (includes item 23)
5	600344087	Flat Washer, #10 x 5/8" OD, SS	23	600342932	1 1/2" Uniseal®
6	600342332	Hex Washer Head Screw, #10-32 x 1/2", SS	24	385310542	Vacuum Generator Tank
7	600341503	Hex Washer Head Screw, #10-32 x 7/8", SS	25	600347800	Valve Nipple
8	385310151	O-Ring Kit	26	600347801	Valve Adapter
9	600340664	Bushing	27	600341504	Pump Body
10	600343006	Shoulder Screw, 1/2 x .687 x 3/8-16	28	385230980	Bellows Assembly (includes item 9)
11	600347807	Bellows Clamp	29	600344470	Pump Eccentric
12	600342783	3-3/4" Diameter Worm Gear Clamp	30	600347788	1/4-28 x 5/16" Set Screw, 1/2 Dog Point
13	600342779	O-Ring, 3" ID x 3 1/4" OD	31	385310245	12 VDC Motor Kit
14	385310539	Diptube Assembly Kit (includes item 13)	31A	385310246	24 VDC Motor Kit
15	600342782	2 1/2" Diameter Worm Gear Clamp	32	600342798	Mounting Spindle
16	600342778	O-Ring, 2" ID x 2-1/4" OD		385310774	Kit, VG Pump Assembly, 12VDC
17	385310540	Vacuum Switch Kit (includes items 15, 16)		385310775	Kit, VG Pump Assembly, 24VDC
18	600347802	Duckbill Valve			



# PARTS LIST (cont'd)

## VACUUM HOLDING TANK

Item	Part No.	Description	Item	Part No.	Description
1	600340488	Screw, #6 x 3/8" Pan Phillips Head	19	385310630	Vacuum Holding Tank – Machined
2	600343025	Cover, Vacuum Holding Tank	20	385310664	Air Pump Motor
3	385310635	Inlet Elbow Kit (includes item 4)	21	600343712	Motor Mounting Bracket
4	600342932	1-1/2" Uniseal®	22	385310631	Connecting Rod Kit (includes items 21, 22)
5	385310626	Switch Assembly Kit (includes item 4)	23	600343018	Set Screw, #8-32 x 1/2"
6	385310627	Vacuum Relief Valve Kit (includes item 7)	24	600343019	Screw, 1/4-20 x 1/2"
7	600343023	2" Uniseal®	25	385310723	Valve Replacement Kit
8	600347800	1-1/2" Valve Nipple	26	600347785	Screw, #10-32 x 3/8" Hex Head
9	600347802	1-1/2" Duckbill Valve	27	600342994	Diaphragm Plate
10	385310628	Diptube Assembly Kit – Elbow (includes items 8, 9, 11 and 12)	28	600346634	Nut, #10-32 Hex Head
11	600342779	O-Ring, 3" x 3-1/4" x 1/8"	29	385310633	Air Pump Body Kit (includes items 28, 29, 34 - 36)
12	600342783	3-3/4" Stainless Steel Clamp	30	600340860	Rubber Check Valve Seat
13	385310629	Full Level Indicator Kit (includes items 14 - 17)	31	600343711	Bottom Plate
14	600340424	Lock Ring	32	600343017	Screw, #10-32 x 2" Pan Phillips Head
15	600343657	Reed Switch Stem, Barbed	33	600343053	Relay, SPDT 12VDC 40/30 Amp
16	600342958	1/2" Uniseal®	34	385318714	"Do Not Flush" panel (sold separately)
17	600340423	Reed Switch Float	35	600343713	Gasket
18	600342798	Mounting Spindle	36	600346249	Washer, #10 Internal Lock



# PARTS LIST (cont'd)

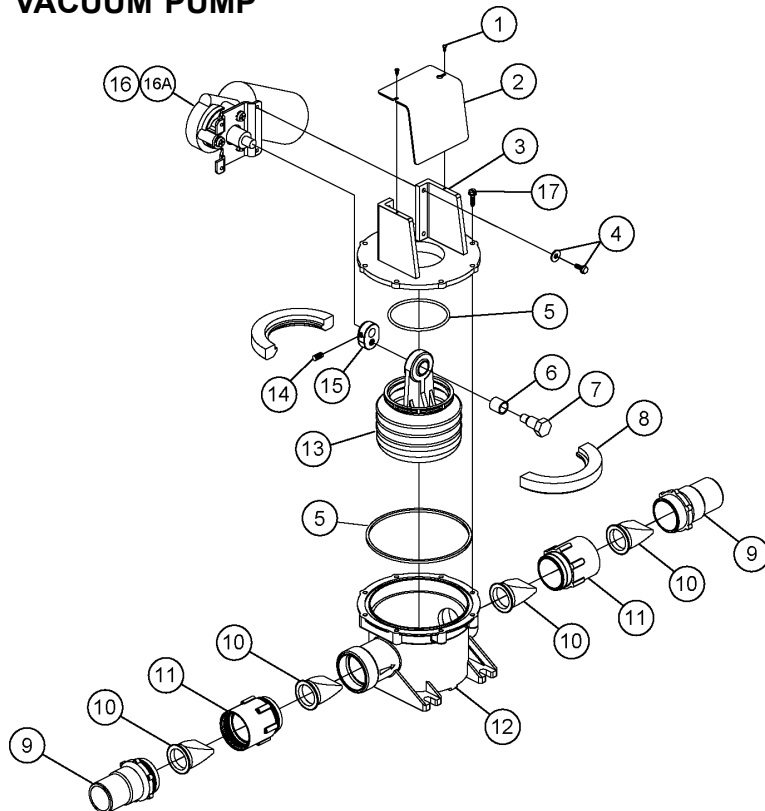
## VACUUM PUMP

Item	Part No.	Description	Item	Part No.	Description
1	600340237	Cover Screw, #4 x 3/8" Pan Hd SS	14	600347788	Set Screw, 1/4 -28 x 5/16"
2	385640239	Pump Cover	15	600344470	Eccentric
3	600341502	Top Closure	16	385310245	12VDC Motor Kit
4	600342332	Hex Head Screw, #10-32 x 1/2" SS	16A	385310246	24VDC Motor Kit
5	385310151	O-Ring Replacement Kit	17	600341503	Hex Washer Head Screw #10-12 x 7/8" SS
6	600340664	Bushing, Bellows	-	385310249	<b>Not Shown</b>
7	600343006	Hex Head Shoulder Screw, Brass			Pump Assembly, less motor (includes items 3, 5, 6, 8 - 13)
8	600347807	Bellows Clamp			
9	600347802	Valve Nipple			
10	385310076	1 1/2" Duckbill Valve			
11	600347801	Valve Adapter			
12	600341489	Pump Body			
13	385230980	Bellows Assembly (includes item 6)			

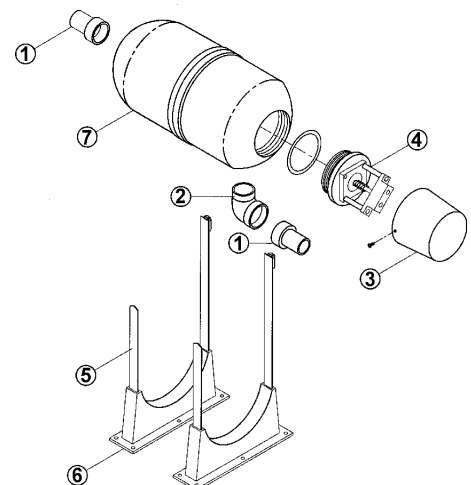
## VACUUM TANK

Item	Part No.	Description
1	307341513	Insert Adapter
2	307341161	Street Elbow
3	600348037	Vacuum Switch Cover
4	385318032	Vacuum Switch Assembly
5	600346835	Snap Lock Clamp
6	600348361	Mounting Bracket
7	385310017	Vacuum Tank Kit (includes 2 ea. Item 1 and 1 ea. Item 2)

## VACUUM PUMP

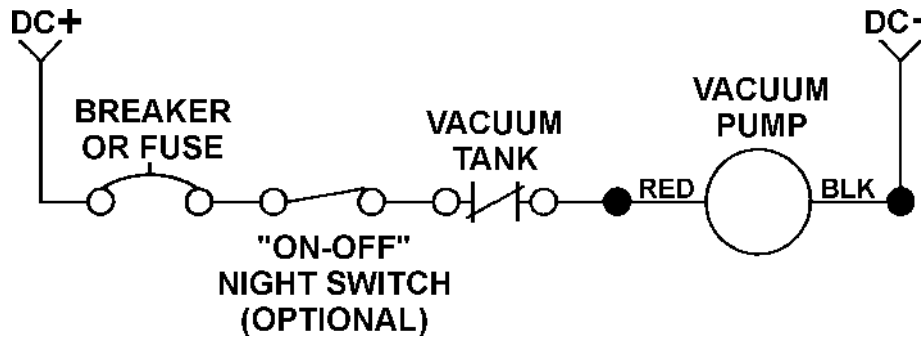


## VACUUM TANK

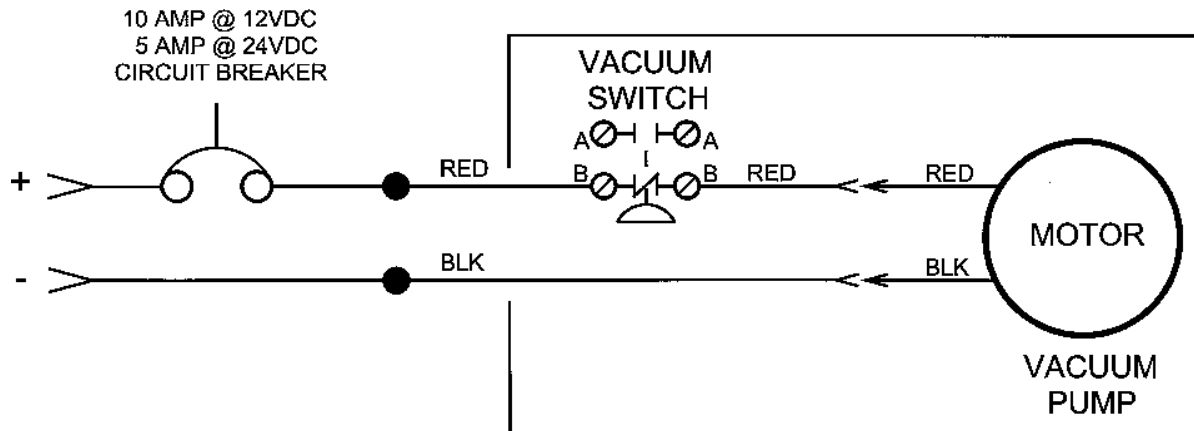


# WIRING DIAGRAMS

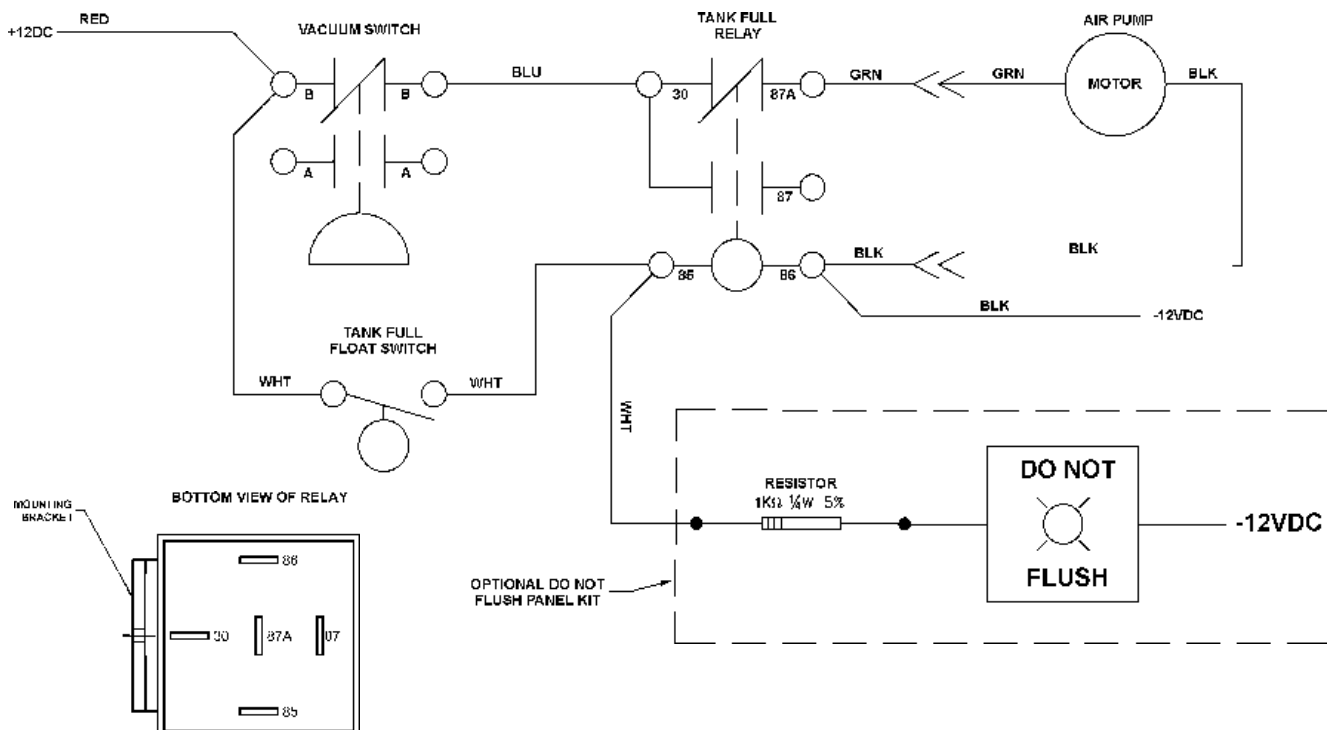
## VACUUM PUMP



## VACUUM GENERATOR



## VACUUM HOLDING TANK



# PARTS DISTRIBUTORS

There is a strong, worldwide network to assist in servicing and maintaining your EcoVac system. For the Authorized Service Center near you, please call from 8:00 a.m. to 5:00 p.m. (ET) Monday through Friday. You may also write us at Dometic Corp., PO Box 38, Big Prairie, Ohio 44611.

Telephone: 1 800-321-9886 U.S.A. and Canada  
330-496-3211 International

You may also contact or have your local dealer contact the Parts Distributor nearest you for quick response to your replacement parts needs. They carry a complete inventory for the SeaLand product line.

Fax: 330-496-3097 U.S.A. and Canada  
330-496-3220 International

## U.S.A. MASTER SANITATION DISTRIBUTORS

### U.S.A. - North Central (IL, IN, KY, MI, OH)

Midwest Marine Supply  
24300 Jefferson Ave.  
St. Clair Shores, MI 48080  
Tel: 586-778-8950  
800-860-1540  
Fax: 586-778-6108

E-mail:  
midwestmarine@yahoo.com  
Contact: Bob Kennedy

### U.S.A. - Northeast (CT, DE, DC, MA, MD, ME, NH, NJ, NY, PA, RI, VA, VT, WV)

Northeast Marine Sanitation  
69 Florida Street  
Farmingdale, NY 11735  
Tel: 631-752-7606  
800-352-4323  
Fax: 631-752-7615  
888-283-7606

E-mail: northeast@  
northeastmarine.com  
Contact: Mike Starito

### U.S.A. - Northwest (AK, ID, MT, OR, WA, WY)

Marine Sanitation, Inc.  
1900 N. Northlake Way, Suite 121  
Seattle, WA 98103  
Tel: 206-633-1110  
800-624-9111  
Fax: 206-633-0317  
E-mail: marinesan@  
mindspring.com  
Contact: Ric Kolb

### U.S.A. - South Central (AR, KS, LA, MO, MS, NM, OK, TX)

AER Supply  
P.O. Box 349  
2301 Nasa Road #1  
Seabrook, TX 77586  
Tel: 281-474-3276  
800-767-7606  
Fax: 281-474-2714  
E-mail: rsmiller@aersupply.com  
Contact: Richard Miller

### U.S.A. - Southeast (AL, FL, GA, NC, PR, SC, TN, VI)

Environmental Marine  
111 S.W. 23rd Street, Suite A  
Fort Lauderdale, FL 33315  
Tel: 954-522-2626  
800-522-2656  
Fax: 954-522-5152  
E-mail:  
info@environmentalmarine.com  
Contact: John or Jill Hopkins

### U.S.A. - Southwest (AZ, CO, NV, UT, CA-south)

Ardemco Marine Specialties  
778 West 17th Street  
Costa Mesa, CA 92627  
Tel: 949-722-7672  
800-253-0115  
Fax: 949-642-9582  
E-mail: ardemco@earthlink.net  
Contact: Rick Glasser

### U.S.A. - Upper Midwest (IA, MN, NE, ND, SD, WI)

PowerHouse Marine  
518 Logan  
La Crosse, WI 54603  
Tel: 608-784-9580  
888-752-4539  
Fax: 608-784-8422  
E-mail:  
dave@powerhousemarine.com  
Contact: Dave Tucker

### U.S.A. - Northern California

Fox Marine  
2250 Zanker Road, Unit D  
San Jose, CA 95131  
Tel: 408-451-9055  
800-826-2873  
E-mail: foxmarco@pacbell.net  
Contact: Charlie Barker

## INTERNATIONAL DISTRIBUTORS

### Argentina

Trimer S.A.  
Del Arca 55, B1646 AA  
San Fernando  
PCIA, De Buenos Aires  
Tel: 5411 4580 0444  
Fax: 5411 4580 0440  
E-mail: trimer@trimer.com.ar  
Contact: Carlos Friedlander  
or Pablo Villar

### Australia

Dometic Pty Ltd  
6 Treforest Drive  
Clayton, Victoria 3168  
PO Box 1140  
Clayton South, Victoria 3169

Tel: (03) 9545 5655  
Fax: (03) 9545 5966  
Email:  
dometic@dometic.com.au  
Contact: Petra Bach

### Austria

Ocean Marine  
See **Germany**

### Belgium

Auerhaan B.V.  
See **The Netherlands**

### Canada - East

Eastern Marine Systems, Inc.  
12-A Leslie Street  
Toronto, Ontario M4M 3H7  
Tel: 416-465-1668  
888-764-1111  
Fax: 416-465-2098  
E-mail: info@eastmar.com  
Contact: Paul Gales

### Canada - West

Western Marine Company  
1494 Powell Street  
Vancouver, BC V5L 5B5  
Tel: 604-253-7721  
800-663-0600  
Fax: 604-253-2656  
800-663-6790  
E-mail: sales@  
westernmarine.com  
Contact: Bill Falk

### Caribbean

Budget Marine  
P.O. Box 434  
25B Waterfront Road  
Cole Bay, Philipsburg  
St. Maarten  
Netherlands Antilles  
Tel: 599 5 43134  
Fax: 599 5 44409  
Contact: Jackie Leech

### Denmark

Dometic Origo AB  
See **Sweden**

### Finland

Nautikulma Oy  
Lantinen Pitkakatu 33  
20100 Turku  
Tel: 358 2 250 3444  
Fax: 358 2 251 8470  
E-mail:  
nautikulma@kolumbus.fi  
Contact: Teppo Siltala

### France

Kent Marine Equipment  
3 rue de la Dutee - BP 207  
44815 Saint-Herblain  
Tel: 33 2 40 92 15 84  
Fax: 33 2 40 92 13 16  
Contact: Luc Tavolini

### Germany

Ocean Marine  
Wendenstrasse 429  
20537 Hamburg  
Tel: 49 (0) 40 219 1042  
Fax: 49 (0) 40 219 1114  
E-mail: info@ocean-  
marine.de  
Contact: Thorsten Lentz

### Greece

Amaltheia  
13 Papaflessa Str.  
143 43 N. Halkidona  
Athens-Greece  
Tel: 30 (210) 25 88 985  
Fax: 30 (210) 25 88 986  
E-mail: amalmar@otenet.gr  
Contact: Dimitris Kyriazes

### Hong Kong

Funcle Ltd.  
G/F, 81D, Pak Shek Terrace  
Clearwater Bay Road  
Sai Kung  
Tel: 852 2335 0482  
Fax: 852 2335 0580  
Contact: Alan Reid

### Italy

SVAMA Nautica s.r.l.  
Via Del Lavarò 25/A2  
48015 Montaletto Di Cervia  
(Ravenna)  
Tel: 390 544 965689  
Fax: 390 544 965734  
E-mail: svama-nautica@  
svama-nautica.com  
Contact: Claudio Casadio

### Japan

Tominaga & Co., Ltd.  
2-6-8 Nishitenma  
Kita-ku, Osaka 530  
Tel: 81 (06) 365 5010  
Fax: 81 (06) 365 6294  
E-mail: nishi@mail.tomco.jp  
Contact: A. Tsumi

### Luxembourg

Auerhaan B.V.  
See **The Netherlands**

### The Netherlands

Auerhaan B.V.  
P.O. Box 22, 8200 AA Lelystad  
Platinastraat 15  
8211 AR, Lelystad  
Tel: 31 (0) 320-286171  
Fax: 31 (0) 320-286170  
E-mail: accessoires@  
auerhaan.nl  
Contact: Bert van Loenen

### Netherlands Antilles

Budget Marine  
P.O. Box 434  
25B Waterfront Road  
Cole Bay, Philipsburg  
St. Maarten  
Tel: 599 5 43134  
Fax: 599 5 44409  
Contact: Jackie Leech

### New Zealand

Lusty & Blundell Ltd.  
38 Tawa Drive  
Albany, Auckland  
Tel: 64 (09) 415 8303  
Fax: 64 (09) 415 8304  
Contact: Mike Harris

### Norway

Dometic Origo AB  
See **Sweden**

### Philippines

Solid Sales Philippines  
31 Horseshoe Drive  
Banawa Hills, Cebu City 6000  
Tel: 63 32 255 3002  
Fax: 63 32 255 3001  
E-mail: ssphils@  
cebu.pw.net.ph  
Contact: Andy Y. Lim

### Sardinia and Sicily

SVAMA Nautica  
See **Italy**

### Singapore

Marina Yacht Services Pte.Ltd.  
No. 10 Tuas West Drive  
#01-01 to 04 Raffles Marina  
Singapore 638404  
Tel: 65 862 4320  
Fax: 65 862 4431  
Contact: Johnny Lim

### Spain, Balearic & Canary Islands

Dahlberg Sociedad Anonima  
Nicolau de Pacs, 32  
07006 Palma de Mallorca  
Tel: 34 971 774751  
Fax: 34 971 771458  
E-mail: sealand@  
dahlberg-sa.com  
Contact: Rosa Dahlberg

### Sweden

Dometic Origo AB  
Söndrumsvägen 35  
SE-302 39 Halmstad, Sweden  
Tel: 46 (0) 35 17 57 00  
Fax: 46 (0) 35 17 57 10  
E-mail: info@origo-  
sweden.com  
Contact: Johan Edlund

### Switzerland

Ocean Marine  
See **Germany**

### Taiwan

Mercury Marine Supply  
No 488  
Ming Chuan 2nd Road  
Chyan Jenn District  
806 Kaohsiung  
Tel: 886 (07) 331 7293  
Fax: 886 (07) 332 4232  
E-mail: mms46654@  
ms16.hinet.net  
Contact: Mercury Liu

### Turkey

Marina Deniz Araclari  
Fener Kalamis CAD. No:75  
Fenerbahce 81030  
Istanbul  
Tel: 90 (0) 216 338 14 41  
Fax: 90 (0) 216 337 44 92  
E-mail: aylan@superonline.com  
Contact: Isik Aylan

### United Kingdom

Lee Sanitation  
Fenny Compton  
Wharf Road, Warwickshire  
CV47 2FE  
Tel: 44 (0) 1295 770000  
Fax: 44 (0) 1295 770022  
E-mail: sales@leesan.com  
Contact: Chris Coburn

# MANUFACTURER'S ONE-YEAR LIMITED WARRANTY

Dometic Corporation warrants, to the original purchaser only, that this product, if used for personal, family or household-like purposes, and if installed according to Dometic's recommended procedures, is free from defects in material and workmanship for a period of one year from the date of purchase.

If this Dometic product is placed in commercial or business use, it will be warranted, to the original purchaser only, to be free of defects in material and workmanship for a period of ninety (90) days from the date of purchase.

Dometic reserves the right to replace or repair any part of this product that proves, upon inspection by Dometic, to be defective in material or workmanship. All labor and transportation costs or charges incidental to warranty service are to be borne by the purchaser-user.

## EXCLUSIONS

IN NO EVENT SHALL **DOMETIC** BE LIABLE FOR INCIDENTAL OR CONSEQUENTIAL DAMAGES, FOR DAMAGES RESULTING FROM IMPROPER INSTALLATION, OR FOR DAMAGES CAUSED BY NEGLIGENCE, ABUSE, ALTERATION OR USE OF UNAUTHORIZED COMPONENTS. ALL IMPLIED WARRANTIES, INCLUDING ANY IMPLIED WARRANTY OF MERCHANTABILITY OR FITNESS FOR ANY PARTICULAR PURPOSE, ARE LIMITED TO A PERIOD OF ONE YEAR FROM DATE OF PURCHASE.

## IMPLIED WARRANTIES

No person is authorized to change, add to, or create any warranty or obligation other than that set forth herein.

Implied warranties, including those of merchantability and fitness for a particular purpose, are limited to one (1) year from the date of purchase for products used for personal, family or household purposes, and ninety (90) days from the date of purchase for products placed in commercial or business use.

## OTHER RIGHTS

Some states do not allow limitations on the duration of an implied warranty and some states do not allow exclusions or limitations regarding incidental or consequential damages; so, the above limitations may not apply to you. This warranty gives you specific legal rights, and you may have other rights which may vary from state to state.

To obtain warranty service, first contact your local dealer from whom you purchased this product.



**Dometic Corporation • SeaLand**

13128 State Rt. 226, P.O. Box 38

Big Prairie, OH 44611-0038 USA

330-496-3211

1-800-321-9886 • Fax: 330-496-3097

® Registered; ™ Trademark of Dometic Corporation.

® Bar Keepers Friend is a registered trademark of SerVaas Laboratories.

® Teflon is a registered trademark of DuPont Co.

® Uniseal is a registered trademark of Injection Plastics, Inc.

© Dometic Corporation



## Free Manuals Download Website

<http://myh66.com>

<http://usermanuals.us>

<http://www.somanuals.com>

<http://www.4manuals.cc>

<http://www.manual-lib.com>

<http://www.404manual.com>

<http://www.luxmanual.com>

<http://aubethermostatmanual.com>

Golf course search by state

<http://golfingnear.com>

Email search by domain

<http://emailbydomain.com>

Auto manuals search

<http://auto.somanuals.com>

TV manuals search

<http://tv.somanuals.com>