

Dometic

EA0300C
EA0301C
EA0302C

EA0600C
EA0601C
EA0602C

EA0610C
EA0611C
EA0612C

EA3100
EA3200
EA3210

ENGLISH ENGLISH	USER'S HANDBOOK	2...7
FRENCH FRANÇAIS	NOTICE D'UTILISATION	8...11
DUTCH NEDERLANDS	HANDLEIDING	12...15
GERMAN DEUTSCH	GEBRAUCHSANWEISUNG	16...19
SWEDISH SVENSK	BRUKSANVISNING	20...22
NORWEGIAN NORSK	HÄNDBOK	23...25
DANISH DANSKE	BETJENINGSVEJLEDNING	26...29
FINISH SUOMENKJELINEN VERSIO	KÄYTTÖOHJE	30...32
SPANISH ESPAÑOL	MANUAL	33...36
PORTUGUESE PORTOGUÊS	MANUAL	37...40
ITALY ITALIANO	MANUALE	41...46

 **Electrolux**

207.4460.02


 **Dometic**
Created by Electrolux

IMPORTANT USER INFORMATION

It is most important that this instruction book should be retained with the appliance for future reference. Should the appliance be sold or transferred to another owner or should you move house and leave the appliance, always ensure that the book is supplied with the appliance in order that the new owner can be acquainted with the functioning of the appliance and the relevant warnings.

These warnings are provided in the interest of safety. You must read them carefully before installing or using the appliance.

- This product is designed to be operated by adults. Children should not be allowed to tamper with the controls or play with the product.
- Any electrical work required to install this appliance should be carried out by a qualified electrician.
- This product should be serviced by an authorised Electrolux Service Engineer, and only genuine Electrolux spare parts should be used.
- Care must be taken to ensure that the appliance does not stand on the electrical supply cable.
- Electrolux refrigerators are designed to be used specifically for the storage of edible foodstuffs only.
- There are working parts in this product which heat up. Always ensure that there is adequate ventilation as a failure to do this will result in component failure and possible food loss. See installation instructions.
- Parts which heat up should not be exposed. Wherever possible the back of the product should be close to a wall but leaving the required distance for ventilation as stated in the installation instructions.
- Before defrosting, cleaning or maintenance work is carried out, be sure to switch off the appliance and unplug it.
- The ice box in this appliance contains tubes through which the refrigerant passes. If these are punctured this would cause substantial damage and result in food loss. **DO NOT USE SHARP INSTRUMENTS** to scrape off frost or ice. Under no circumstances should solid ice be forced off the ice box. Solid ice should be allowed to thaw when defrosting the appliance. See defrost instructions.
- The appliance should be left for 2 hours after installation before it is turned on in order to allow refrigerant to settle, unless it is of the absorption type in which case it can be turned on immediately.
- This appliance is heavy. Care should be taken when moving it.
- Ice lollies can cause frost burns if consumed straight from the freezer.
- Frozen food must not be refrozen once it has thawed out.
- Manufacturer's food storage recommendations should be strictly adhered to. Refer to relevant instructions.
- Do not place carbonated or fizzy drinks in the freezer as this creates pressure on the container which may cause it to explode resulting in damage to the appliance.
- Under no circumstances should you attempt to repair the appliance yourself. Repairs carried out by inexperienced persons may cause injury or more serious malfunctioning. Refer to your local Electrolux Service Centre and always insist on genuine Electrolux spare parts.

INSTRUCTIONS FOR USE

It's important that you read this handbook before installing and using your new refrigerator.

SAFETY NOTE: If this refrigerator is replacing a larger one which is going to be scrapped, remove the door before disposal to prevent children from becoming trapped inside.

INSTALLATION INSTRUCTIONS

The refrigerator is equipped with an electrically heated absorption cooling unit which is virtually silent in operation. The fridge is designed for free-standing installation, but can be built-in if the following conditions are complied with to ensure satisfactory operation and maximum cooling efficiency.

- 1) The fridge must be level in both directions.
- 2) There must be an air duct at the back of the housing to provide sufficient air-flow over the cooling unit to carry away heat generated during the cooling process. The entire cooling unit should project into the duct and the air passing through the duct must not be pre-heated by radiators, T.V. sets or any other sources of heat.
Two refrigerators should not be built-in, one on top of the other, unless separate air ducts are provided for each.
- 3) When built-in, for future servicing requirements, it must be possible for the refrigerator to be easily removed, without damaging the fitment in which it is housed.

The illustrations on page 47 show 3 different ways of building-in the refrigerator.

With the refrigerator standing on a shelf - Figure 1

The opening at the back for the passage of air must be at least 105 mm deep. This can be achieved by using 105 mm opening immediately under the cooling unit. Alternatively, the shelf can be supported on battens at the sides, screwed to adjacent fittings, or on legs, leaving a completely unobstructed opening underneath the cooling unit for the full width of the refrigerator, allowing maximum air-flow.

If a ventilation grill is fitted at the top, it must have a free space of at least 200 cm² for the ventilating air to escape.

With the refrigerator built into a housing - Figures 2 and 3.

The ventilation duct at the back of the recess must be at least 105 mm deep and extend the full width of the refrigerator - 425 mm minimum.

If the inlet and/or outlet openings at the bottom and top of the duct are fitted with decorative grilles, the free space through each grille must not be less than 200 cm² so that the air-flow is not restricted.

Door hang and outer door panel

The chosen position for your fridge may make it preferable to change over the door hinges to reverse the door hang. To do this, refer to page 5.

If you wish, the outer door panel can be removed and replaced by another (not supplied by Electrolux) to match existing decor in your room instructions for doing this are also given on page 5.

Connecting to the mains

The refrigerator must only be connected to the electricity supply using an earthed socket outlet, installed in accordance with local regulations. Before connecting the refrigerator, check from the data label inside the cabinet that the voltage agree with your mains supply.

Plug connection (for United Kingdom only)

If a 3 pin 13 amp fused plug is used, it should be fitted with a 3 amp fuse; with other plug types, the circuit should contain a 5 am fuse.

This appliance conforms with the requirements of EEC Directive No. 89/336 relating to radio interference.

Warning - This appliance must be earthed.

MOULDED - ON PLUG

The mains lead is fitted with a non-rewirable moulded-on 13 amp plug containing a 3 amp fuse. If the fuse requires replacing at any time, the fuse cover/carrier should be removed using a small screwdriver to lever it out. The old fuse should be replaced by a 3 amp ASTA approved BS1362 fuse and the fuse cover/carrier must be refitted before the plug is used again.

If the fuse cover-carrier is lost, a replacement can be obtained from the Electrolux Service Shops. The fuse cover/carrier must be of the same colour as that of the coloured insert in the base of the plug. In no circumstances must the plug be used without a correct fuse cover/carrier fitted.

If the plug supplied on the mains lead is not suitable for the socket in your home, it should be cut off and disposed of safely, or destroyed, to avoid any possible shock hazard resulting from the plug being inserted into a 13 amp socket elsewhere in the house. A suitable replacement plug should then be fitted as given below.

IMPORTANT

The wires in the mains lead of this appliance are coloured in accordance with the following code:

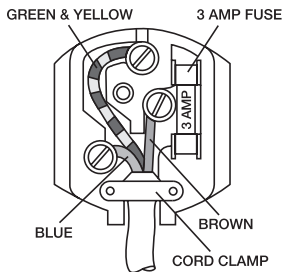
GREEN-and-YELLOW	: EARTH
BLUE	: NEUTRAL
BROWN	: LIVE

As the colours of the wires in the mains lead may not correspond with the coloured markings identifying the terminals in your plug, proceed as follows.

Connect the GREEN-and-YELLOW coloured wire to the plug terminal marked letter E or earth symbol (⊕) or coloured green or green-and-yellow.

Connect the BROWN coloured wire to the plug terminal marked letter L or coloured red.

Connect the BLUE coloured wire to the plug terminal marked letter N or coloured black.



STARTING THE REFRIGERATOR

To start the fridge, plug into the socket outlet, switch on, and turn the thermostat dial (inside the cabinet) to setting number 3 or 4. There will be signs of cooling in about an hour. Note that the fridge has an absorption type of cooling unit, which is virtually silent in operation. You will not therefore hear anything start up when the fridge is switched on.

On the Auto-Defrost versions there also will be signs of cooling after about one hour, unless by coincidence the time switch is at a defrost cycle when first switched on in which case 2 or 3 hours may elapse before cooling starts to take place.

The refrigerator temperature will be affected by location, room temperature, and frequency of door opening and adjustment of the thermostat dial may be needed to allow for this.

Temperature control

The temperature in the fridge is from 0° to 7°C and inside the frozen food storage compartment on model EA0600C/601C/602C/EA3200 is -12° or below, when you set the thermostat dial to 3 or 4, in normal ambient temperatures.

If colder temperatures are needed in the fridge turn the thermostat dial clockwise to a higher number: if less cooling is required, turn the dial anti-clockwise to a lower number.

USING THE FRIDGE

The fridge compartment provides suitable storage for most kinds of food, milk, drinks, etc and door shelves are provided in the 60 litre models for bottles, jars, and small packets.

Ideally, all foods should be in covered containers or plastic bags, or wrapped in foil or plastic film. Liquids should also be covered. This is to prevent flavours passing from one item to another and also to reduce frost build-up on the cooling surfaces due to moisture coming from stored items.

Suggested storage times for fresh foods

Storage times will vary according to the type of food and how fresh it is when put into the fridge but no food should be stored for longer than the times stated below:

Suggested maximum storage times:

Type of food	Storage time
Uncooked fresh meat	
poultry, beef and lamb	3-5 days
pork	2-4 days
sausages	3 days
mince & offal	1-2 days

Cooked meat	
ham, sliced meat	2-3 days
pies	1 day
casseroles & paté	2 days
poultry	2-3 days
Bacon	1 week
Dairy produce	
milk	2-3 days
cream	1 week
butter	3-4 weeks
hard cheese	3-4 weeks
soft cheese	1 week
Vegetables & Salads	1 week
Fruit	2 weeks

FROZEN FOOD STORAGE COMPARTMENT WHERE FITTED

The frozen food storage compartment has a net volume of 3.7 litres (0.13 cubic feet) and has a two-star classification ** which means that, provided the thermostat is set as described under 'Temperature Regulation', it will maintain a temperature of -12°C (10°F, or below). Under these conditions, most types of frozen food can be stored in the compartment for up to one month.

The length of storage time cannot be precisely stated as this varies very much with the nature of the packaged quick-frozen food stored, - vegetables, fish, meat, fruit and dairy products. It is therefore important to take note of the food manufacturer's estimate of the permissible storage times for his products. This estimate, which should be marked on each frozen food package, takes into account inevitable variations during everyday operation which may lead to changes in taste and colour.

If frozen food is allowed to thaw, i.e. the packs become wet and limp, no attempt should be made to store or re-freeze - it should be consumed within 24 hours.

The frozen food storage compartment is for storing quick-frozen foods, ice-cream and making ice. It is not intended for the quick-freezing of foodstuffs.

Care should be taken when handling an consuming water ices (e.g. iced lollies) taken directly from the frozen food storage compartment because of the possibility of cold burn (frost bite) when such ices are at very low temperatures.

Never put bottles or cans of carbonated (gassy) drinks in the frozen food storage compartment, as they may burst if the gas is forced out by freezing.

NOTE: This does, not apply to Automatic Defrost versions where Defrosting occurs every 24 hours (depending on thermostat setting).

ICE-MAKING

Fill the ice tray with fresh drinking water to just below the top (to allow for expansion), and place it on the ice-making shelf (This is at the top of the frozen food compartment in the EA0600C/601C/602C/EA3200). Ice will be made more quickly if the thermostat dial is temporarily turned to MAX but remember to return the dial to its usual setting when ice has formed; otherwise the fridge may become too cold. To release the ice cubes, simply twist the tray along its length to hold it,

inverted on a plate, under a running cold tap until the cubes loosen.

LOOKING AFTER YOUR FRIDGE

Defrosting

Frost will gradually form on the cooling surfaces and it must not be allowed to become too thick since it acts as an insulator and interferes with the cooling process.

Defrosting (manual versions)

To defrost turn the thermostat dial to 0 remove the ice tray and leave the cabinet and frozen food storage compartment door open.

The frost will melt and run into the drip collector which should be located underneath the frozen food storage compartment.

When defrosting is complete, remove the drip collector and turn the thermostat dial to its normal setting.

Rinse out the ice tray, refill it with fresh water and place it on its shelf. Some drips of water may come from the cooling fins during normal operation, therefore the drip collector should be kept in position.

Automatic defrosting (where fitted)

Automatic defrosting is achieved by means of a times switch, fitted at the back of the cabinet, which switches off the cooling unit for approximately 2 hours every day. No appreciable amount of frost should build-up on or around the frozen food compartment during normal use.

The defrost water runs through a drain tube from the drip channel and into an evaporating vessel located at the bottom rear of the refrigerator. The defrost water will evaporate automatically into the circulating air and the vessel will not need emptying manually.

Semi-automatic defrosting (where fitted)

Some models have a semi-automatic defrosting device and these can be identified by the push-button in the centre of the thermostat dial.

With these models you should, regularly each week, examine the frost build-up and, if it is more than about 6 mm thick, the fridge should be defrosted. All models with this device (including the EA0600C/601C/602C/EA3200 when frozen food is not being stored), are defrosted as follows:

Remove the ice tray and, on model EA0600C/601C/602C/EA3200, see that the frozen food compartment is empty. Push in the button in the centre of the thermostat dial but do not turn the dial to another position - leave it at its usual setting.

Close the door

The defrost button will stay in and the cooling unit will remain switched off until the frost has melted. The defrost button will then automatically spring out to its normal position and the refrigerator will start working again. The time taken to defrost will depend on the amount of frost to be removed and the room temperature.

NOTE: If frost builds up inside the frozen food compartment in the EA0600C/601C/602C/EA3200, it may not be cleared using push-button defrosting. In this case, you may occasionally need to defrost using the method described under 'Frozen foods and defrosting'.

Defrost water disposal

While defrosting is taking place, defrost water will run through a tube into an evaporating vessel in the cooling unit compartment at the back of the cabinet. The water will then evaporate into the circulating air. You do not have to empty the vessel.

Frozen foods and defrosting

Models EA0600C/601C/602C/EA3200

If possible, arrange to use up your frozen food before defrosting becomes necessary, then you can defrost as described above. If you do have a frozen food remaining and you cannot temporarily store it in a freezer or another frozen food compartment, wrap it in several thicknesses of clean newspaper, or in a blanket or other suitable insulating material and put it in a cool place.

Defrosting must than be carried out as quickly as possible. Do this by disconnecting the plug from the wall socket and placing a dish of hot (not boiling) water on the ice-tray shelf in the frozen food compartment, changing the water as necessary until all frost has melted. (Don't pour put a container of very hot water on the bottom of the frozen food compartment, and don't use an electric heater, hair drier, or other form of heat as this will damage plastic surfaces).

When defrosting has finished, wipe out and dry the frozen food compartment, reconnect to the electricity supply, and replace the frozen food. Don't attempt to make ice-cubes until the fridge has cooled down again. **REMEMBER:** If the temperature of frozen food is allowed to rise unduly during defrosting, its storage life may be shortened.

Cleaning

Clean the interior of your fridge regularly to keep it fresh and hygienic.

Switch off and pull the plug from the wall socket then thoroughly clean the interior and fittings with a cloth wrung out in a solution of one teaspoonful of bicarbonate of soda to each pint of warm water.

Never use detergents, abrasive powders, highly perfumed cleaning materials or wax polishes to clean the interior as these will damage the surfaces and leave a strong smell.

The outside should occasionally be dusted or wiped over with a damp cloth and a small amount of detergent. But not the door seal which should be cleaned only with soap and water and thoroughly dried.

If accessible, the cooling unit at the rear should be cleaned of dust occasionally using a brush, but make sure the fridge is unplugged when you do this.

Occasionally, strong-smelling food may leave the fridge with a slight odour. Placing a small dish of bicarbonate of soda powder inside should slowly absorb these smells. The dish should be refilled periodically.

Going on holiday

Don't switch off at the mains if you intend leaving food in the refrigerator (or frozen food compartment on EA0600C/601C/602C/EA3200).

For 2 days or less, there is no need to remove any food. For up to a week, remove all food from the refrigerator compartment except eggs, butter, and bacon.

On models EA0600C/602C/EA3200, if you are going away for more than a week, you can leave frozen food in the frozen food compartment (with the refrigerator left

running) as long as its storage life won't have been exceeded when you return, but take everything out of the fridge compartment and close the door.

If you intend leaving both the fridge and frozen food compartments empty, switch off at the wall socket, defrost, clean, and dry, than leave both doors open to prevent the accumulation of odours inside.

CHANGING OVER THE DOOR HINGES

Remove the two fixing screws and pull out the blanking piece from the alternative top hinge position.

Lay the (empty) refrigerator on its back and transfer the upper and lower hinges to the opposite side. Stand the refrigerator on its feet and check that the door closes and seals properly. Refit the blanking piece in the original top hinge position.

CHANGING THE OUTER DOOR PANEL

If required, the outer door panel can be removed and replaced by one of a different material or colour to match other fittings. It can be of rust-proofed metal, or a plastic laminate.

To do this lay the refrigerator on its back, and remove the bottom section of the door surround held by 3 screws. The existing panel can then be slid out on a new panel slid in and the bottom section refitted to retain the new panel.

CHANGING THE INTERIOR LIGHT BULB (EA3100/EA3200/EA3210)

If the interior light fails to work first switch off and pull out the mains plug, then replace the bulb with a new one, as follows:

Remove the lamp cover by sliding it towards the rear. Unscrew the bulb and replace it with a new 10 watt bulb, available from your local Service Shop. Refit the lamp cover.

SOMETHING NOT WORKING

Before you call for your Electrolux Service Engineer, carry out these simple checks:

Is there a power failure? Check your house lights.

Is the plug firmly connected to the wall socket and is the socket switched on? Check the power supply by plugging in another appliance or a table lamp.

Is the fuse in the plug intact? If you have fitted your own plug are the wires correctly connected?

Is the thermostat dial at the correct setting? (Normally No. 3 or 4).

If fitted has the defrost button been inadvertently pushed in? If it has, turn the thermostat dial to position '0' and the button should spring out. Then re-set the dial to its usual position and the fridge should start cooling again.

Has the door been left open causing the temperature to rise?

Is the fridge still level?

Has the air-flow over the back become obstructed?

If after checking all the above points your fridge still won't work properly, call your nearest Electrolux Service Centre.

His address can be found on page 7.

This refrigerator is equipped with overheating protection. An authorised service technician can check whether this has been triggered or not.

For future reference, we suggest you record these details here and keep the receipt with the handbook as proof of the data of purchase.

Purchased from _____

Date purchased _____

Model Number _____

(See data label inside cabinet)

IMPORTANT THINGS TO REMEMBER

Do ...

- make sure the fridge is level in both directions.
- cover or wrap foods and liquids, particularly those with strong odours.
- cover melons and pineapples and only store for short

periods.

close the frozen food compartment door (EA0600C/601C/602C/EA3200) after use, ensuring that its catch engages properly. Remind other users about this.

leave the door open (and the frozen food compartment door on (EA600C/601C/602C.EA3200) when the refrigerator is out of use defrost regularly.

DON'T ...

- obstruct air-flow over the cooling unit at the back.
- put hot food in the fridge - allow it to cool first.
- store bananas in the fridge or they will turn black.
- use a sharp instrument to hasten defrosting or to remove an ice tray as this could cause damage.
- put bottles or cans of fizzy drinks in the frozen food compartment as they may burst when freezing.
- give children iced lollies straight from the frozen food department; they could cause frost burns.

Sodium chromate is used for corrosion protection (less than 2 weight % of the coolant).

This appliance complies with the following EEC directives:

- LVD-Directive 73/23/EEC with amendment 90/683/EEC
- EMC-Directive 89/336/EEC

Guarantee

This Guarantee is offered to you as an extra benefit and does not affect your legal rights.

Electrolux products are carefully designed, manufactured tested and inspected and in consequence we undertake to replace or repair any part found to be defective in material or workmanship, within one year of delivery to the original purchaser, free of charge.

This guarantee is conditional upon the appliance being correctly installed and used in accordance with the Company's instructions under normal conditions within the United Kingdom or the Republic of Ireland. It may however be invalidated by unauthorised repair or modification of the appliance. The Company does not accept liability for defects arising from neglect, misuse, or accident.

Proof of the data of purchase will be required before free service is provided. Addresses where service can be listed overleaf.

Electrolux Limited

IMPORTANT

For future reference, please enter the date of purchase in this panel.

Purchased from _____

Model Number _____

(See data label inside cabinet)

(UK only)

SERVICE ADDRESSES UK

United Kingdom

ABERDEEN

8 Cornhill Arcade, Conrhill Drive
Aberdeen AB2 5UT
Tel.: 0224 696569
Areas covered DD IV KW AB PH

NORTHERN REGION CENTRE

PO Box 40 Preston Road,
Aycliffe Industrial Estate, Newton Aycliffe
Co. Durham DL5 6XL
Tel.: 091-493-2025 or 0325-301400
Areas covered CA DL DH NE SR TS
Tel.: 0282-774621
Areas covered: SK M BL OL BB
Tel.: 051 254 1724
Areas covered: LA FY PR WN CW CH LL L WA

BELFAST

Unit C3, Edenderry Industrial Estate
326 Crumlin Road, Belfast BT14 7EE
Tel.: 0232 746591
Areas covered: BT

BIRMINGHAM

8 Lammersmoor Ave, Great Barr
Birmingham B42 6ET
Tel.: 021 357076 or 021 358 5051
Areas covered: WR DY B WV TF ST SY WS
Tel.: 0993-704411
Areas covered: GL HP NN OX SL RG

CARDIFF

Guardian Industrial Estate
Clydesmuir Road, Tremorfa, Cardiff CF2 2QS
Tel.: 0222 460131
Areas covered: CF HR LD NP SA

GLASGOW

20 Cunningham Road, Clyde Estate,
Rutherglen, Glasgow G73 1PP
Tel.: 041 647 4381
Areas covered: DG KA ML G PA
Tel.: 031 557 8383
Areas covered: KY EH TD FK

LEEDS

64-66 Cross Gates Road, Leeds LS15 7 NN
Tel.: 0532 608511
Areas covered: S DN HU YO WF HX HD LS HG BD

LEICESTER

10-12 Buckminster Road, Leicester LE3 9AR
Tel.: 0533 515131
Area covered: LE DE CV NG LN PE IP NR

LONDON REGION CENTRE

2-4 Sandhurst, Kings Road
Canvey Island SS8 0QY
Tel.: 0268 694144
Areas covered: RM CM SS CO IG
Tel.: 081 443 3464
Areas covered: E EC WC N NW W EN
Tel.: 081 658 9069
Areas covered: KT SE SM CR BR SW
Tel.: 081 965 9699
Areas covered: AL CB LU MK SG WD HA UB TW

SOUTHERN REGION CENTRE

Limberline Road, Hilsea, Portsmouth PO3 5JJ
Tel.: 0705 667411
Areas covered: BH DT PO SO SP GU
Tel.: 0272 211876
Areas covered: BA BS SN TA
Tel.: 0626 65909
Areas covered: TQ EX TR PL

TONBRIDGE

61-63 High Street, Tonbridge TN9 1SD
Tel.: 0732 357722
Areas covered: CT DA ME TN
Tel.: 0273-694341
Areas covered: BN RH

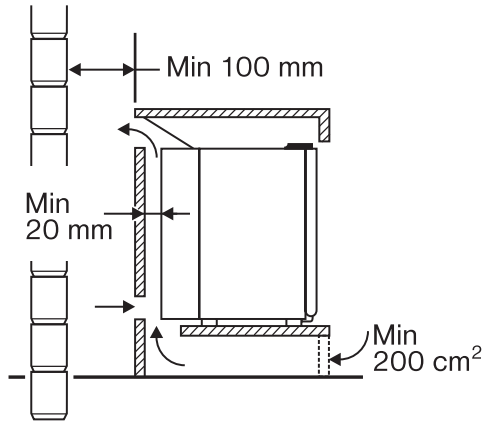


FIG. 1

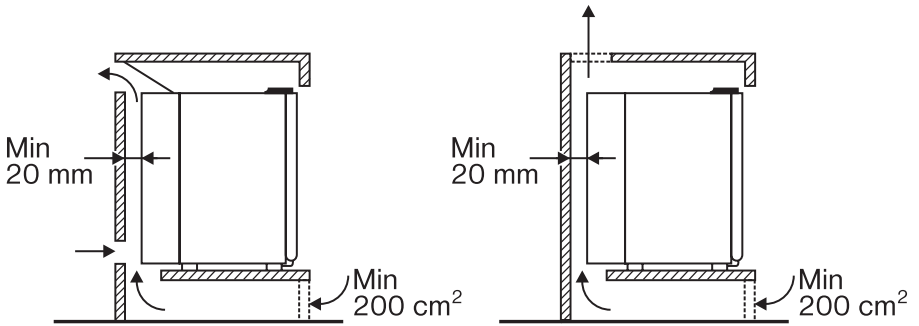


FIG. 2

FIG. 3

Free Manuals Download Website

<http://myh66.com>

<http://usermanuals.us>

<http://www.somanuals.com>

<http://www.4manuals.cc>

<http://www.manual-lib.com>

<http://www.404manual.com>

<http://www.luxmanual.com>

<http://aubethermostatmanual.com>

Golf course search by state

<http://golfingnear.com>

Email search by domain

<http://emailbydomain.com>

Auto manuals search

<http://auto.somanuals.com>

TV manuals search

<http://tv.somanuals.com>