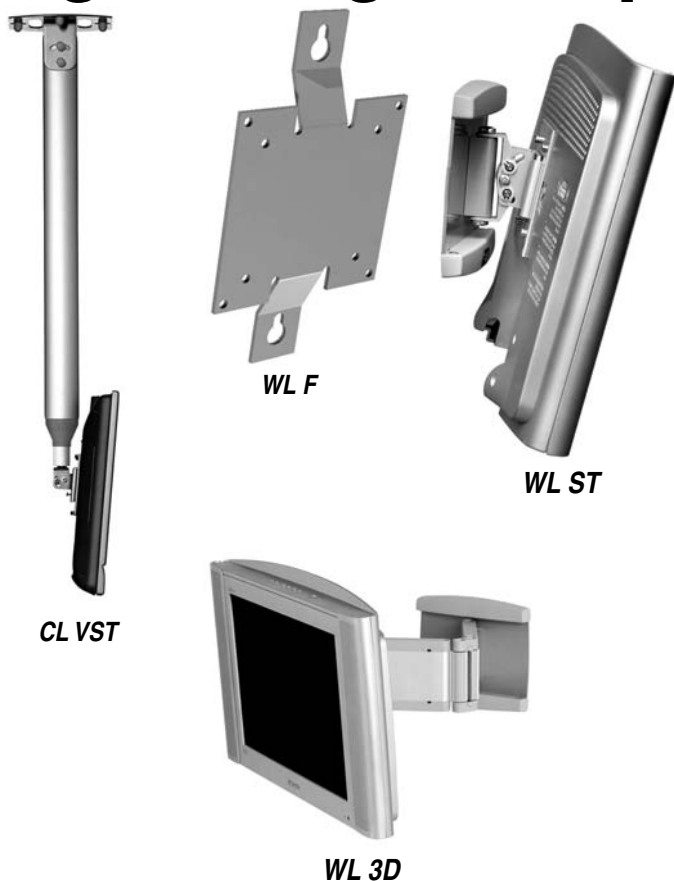


SMS Flatscreen Mounts for Light Weight Displays

by **DRAPER**

For displays smaller than 23" diagonal and weighing less than 30 lbs.



Specifications—SMS Flatscreen Mounts for Light Weight Displays

SMS Light Weight Flatscreen Mounts for displays smaller than 23" diagonal and weighing less than 30 lbs., model (WL 3D/WL F/WL ST/CL VST [CL VST500-750/CL VST650-900/CL VST850-1100/CL VST1050-1300]), by Draper, Inc., of Spiceland, Indiana.

Universal mounting bracket shall be provided to match LCD-TFT Flat Panel Displays with VESA® 75 mm and 100 mm mounting hole spacing. Bracket slides into steel mating bracket on wall supports for easy, safe and sturdy mounting. Bracket shall be compatible with all Draper wall and ceiling supports and shall lock in place using a security screw. Hardware for mounting bracket to Flat Panel Display provided by Draper; hardware for attaching mount to wall supplied by others.

WL 3D: Wall bracket shall be of steel and aluminum with silver finish. Articulating wall mount collapses to depth of 3³/₈" (minus flat panel display and bracket). The articulating arm extends the display up to 15" from wall, and allows swivel left and right as far as the wall will allow. Maximum weight capacity 30 lbs.

WLF: Wall bracket shall be of steel, with silver finish. The bracket is stationary, and cannot be tilted or angled. The back of the screen shall be located 5/8" from the wall. Maximum weight capacity 30 lbs.

WL ST: Wall bracket shall be of steel, with a silver finish. 15° tilt up and down; 20° left to right. The back of the screen shall be located 2¹/₈" from the wall. Maximum weight capacity 30 lbs.

CL VST: Select (CL VST 300-350/CL VST500-750/CL VST650-900/CL VST850-1100/CL VST1050-1300). Two-piece telescoping column shall be of extruded aluminum, with anodized aluminum finish. Outer column shall securely attach to ceiling with steel ceiling plate (provided). Installer shall provide mounting hardware appropriate to ceiling conditions. Outer column shall have ± 20° tilt at the ceiling bracket. Outer column shall have two built-in self-concealing cable races with molded press fit covers. Inner column shall have infinite height adjustability within range according to column size. Mount shall have up to 35° tilt and 360° rotation at lower bracket. Maximum load 30 lbs.

Options:

L Adapter: Adapter mounting plate for flat panel display that will attach to any SMS Heavy Weight Mount. Fits any LCD-TFT Flat Panel Display with VESA® 75 mm and 100 mm mounting hole patterns. Maximum weight capacity 30 lbs. Black finish. Requires Flatscreen Keystone Adapter.

Vesa 100 x 200 Adapter: Used if display has 100mm x 200mm VESA hole pattern and is still under weight capacity for light weight mounts. Can be used on all SMS Light Weight Mounts.

SMS Inner Column Trim: Grey trim piece for SMS CL VST mount. Snaps on to smaller, adjustable part of column to cover hole in ceiling around mount.

SMS Outer Column Trim Ring: White trim ring covers ceiling hole around larger part of the column on SMS CL VST mount.

Please Mark Appropriate Selections

Select Mount (See back side for details of each model):

- WL F Quantity _____
- WL ST Quantity _____
- WL 3D Quantity _____
- CL VST
- CL VST 300-350 Quantity _____
- CL VST 500-750 Quantity _____
- CL VST 650-950 Quantity _____
- CL VST 850-1100 Quantity _____
- CL VST 1050-1300 Quantity _____

Select Options

- SMS L Adapter
- VESA 100 x 200 Adapter
- SMS Inner Column Trim (for SMS CL VST mounts)
- SMS Outer Column Trim (for SMS CL VST mounts)

DRAPER

411 S. Pearl St., Spiceland, IN 47385 USA ■ 765-987-7999
www.draperinc.com ■ fax 765-987-7142

Copyright © 2007 Draper Inc. Form SMSLightWeight_Sub07 Printed in U.S.A.

PROJECT: _____

ARCHITECT: _____

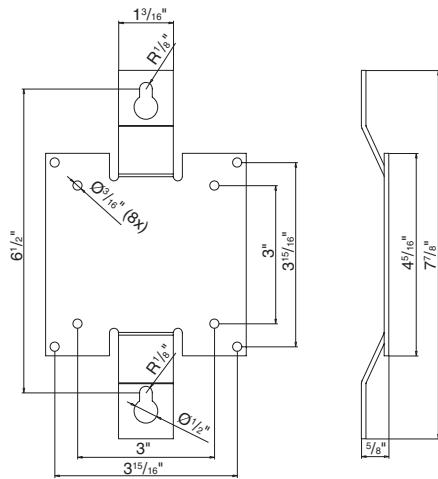
CONTRACTOR: _____

SUPPLIER: _____

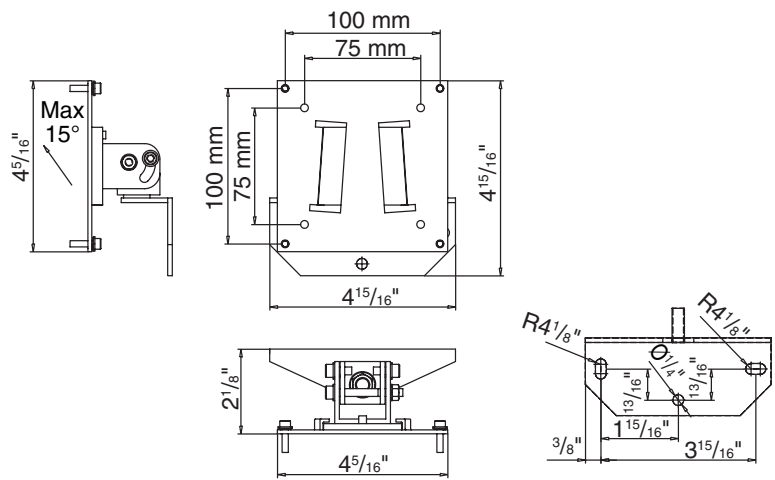
DATE: _____ REVISED: _____

Dimensions

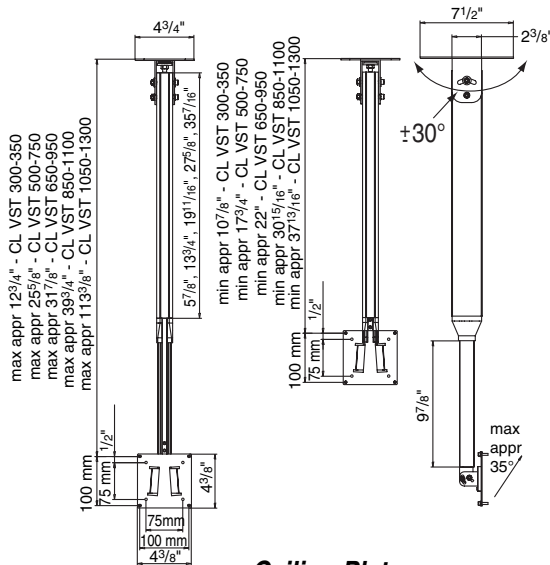
WLF



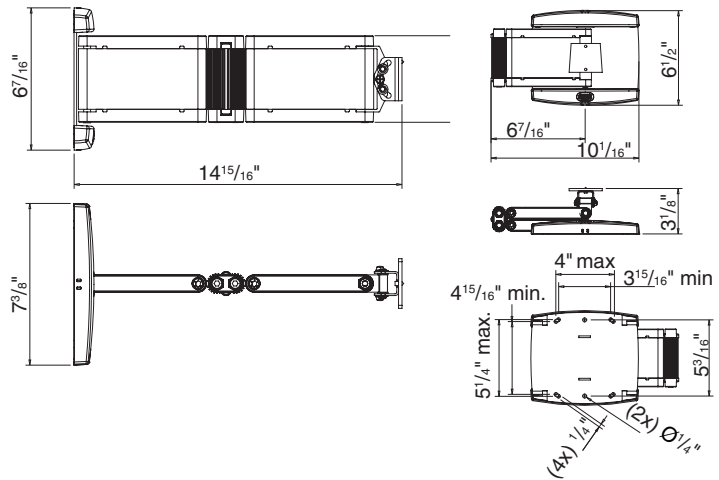
WL ST



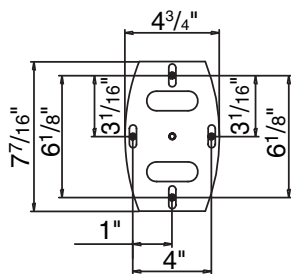
CL VST



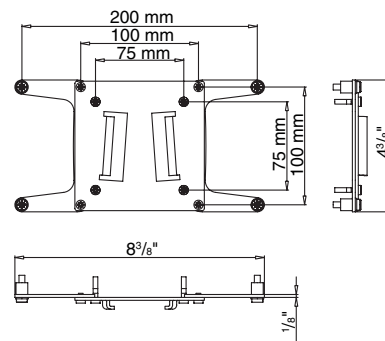
WL 3D



Ceiling Plate



VESA 100 x 200 Adapter



Free Manuals Download Website

<http://myh66.com>

<http://usermanuals.us>

<http://www.somanuals.com>

<http://www.4manuals.cc>

<http://www.manual-lib.com>

<http://www.404manual.com>

<http://www.luxmanual.com>

<http://aubethermostatmanual.com>

Golf course search by state

<http://golfingnear.com>

Email search by domain

<http://emailbydomain.com>

Auto manuals search

<http://auto.somanuals.com>

TV manuals search

<http://tv.somanuals.com>