

Scissor Lift Submittal & Planning

by



U.S. Patent D395,909

Sheet for SL and SLX Series

Planning sheet submission required with your order or request for quotation. Please mark appropriate response to each numbered item (front and back)

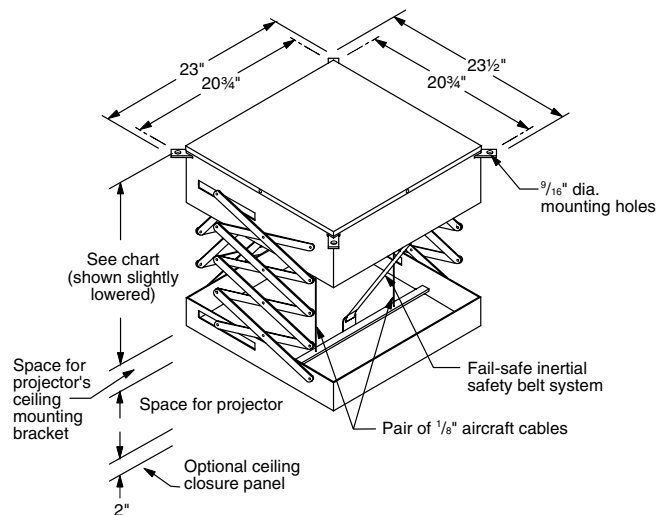
① **Select one model based on the maximum exact distance you need the projector to descend from “store” position to “service” position.**

Scissor Lift—SL Series

	Quantity
<input type="checkbox"/> 4 ft.—Model SL4	_____
<input type="checkbox"/> 5 ft.—Model SL5	_____
<input type="checkbox"/> 6 ft.—Model SL6	_____
<input type="checkbox"/> 7 ft.—Model SL7	_____
<input type="checkbox"/> 8 ft.—Model SL8	_____
<input type="checkbox"/> 9 ft.—Model SL9	_____
<input type="checkbox"/> 10 ft.—Model SL10	_____

Model	Maximum Lowering Distance	Retracted Height ¹
SL4	4'	8 ¹ / ₈ "
SL5	5'	9 ¹ / ₈ "
SL6	6'	10 ¹ / ₈ "
SL7	7'	11 ¹ / ₈ "
SL8	8'	12 ¹ / ₈ "
SL9	9'	13 ¹ / ₈ "
SL10	10'	14 ¹ / ₈ "

¹ SMS Low Profile Mount adds 4⁷/₈", including universal bracket, to unit height.

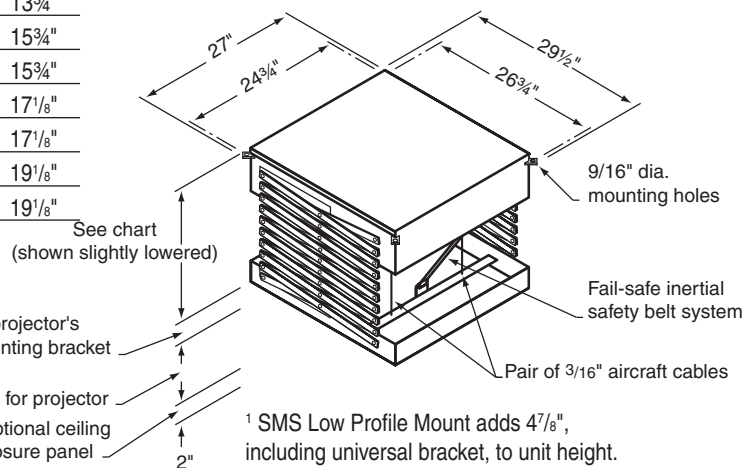


② **FOR SL SERIES ONLY: Standard, factory set “show” position is 18" below “store” position. “Show” position can be adjusted after installation. If more than 24" is required, list show position: _____**

Scissor Lift—SLX Series

	Quantity
<input type="checkbox"/> 11 ft.—Model SLX11	_____
<input type="checkbox"/> 12 ft.—Model SLX12	_____
<input type="checkbox"/> 13 ft.—Model SLX13	_____
<input type="checkbox"/> 14 ft.—Model SLX14	_____
<input type="checkbox"/> 15 ft.—Model SLX15	_____
<input type="checkbox"/> 16 ft.—Model SLX16	_____
<input type="checkbox"/> 17 ft.—Model SLX17	_____

Model	Maximum Lowering Distance	Retracted Height ¹
SLX11	11'	13 ³ / ₄ "
SLX12	12'	15 ³ / ₄ "
SLX13	13'	15 ³ / ₄ "
SLX14	14'	17 ¹ / ₈ "
SLX15	15'	17 ¹ / ₈ "
SLX16	16'	19 ¹ / ₈ "
SLX17	17'	19 ¹ / ₈ "



③ **FOR SLX SERIES ONLY: Standard, factory set “show” position is 36" below “store” position. “Show” position can be adjusted after installation. For “show” position of more or less than 36", list show position. _____**

(Continued on Page 2)

DRAPER SALESPERSON: _____

CUSTOMER CONTACT: _____

SIGNATURE: _____



411 S. Pearl St., Spiceland, IN 47385 USA ■ 765-987-7999

www.draperinc.com ■ fax 765-987-7142

Copyright © 2008 Draper Inc. Form ScissorLift_Sub-PlanSheet08 Printed in U.S.A.

DEALER NAME: _____

PROJECT NAME: _____

P.O. #: _____

DATE: _____

④ **Select Optional Accessories**

- Optional Ceiling Access Door (2 x 2) to allow access above finished ceiling (highly recommended)
 - White Painted Finish Accepts Ceiling Tile
 - Optional SMS Low Profile Mount and Universal Bracket
 - A) If you selected the SMS Low Profile Mount please provide the following Projector information (supplied by others)
 Manufacturer _____ Make/Model _____ Projector Size H x W x L: _____
 - Optional plenum housing: optional ceiling closure panel not included.
 - B) If you selected the plenum housing option please provide the following information:
 Projector Size H x W x L: _____ Bracket height: _____ Available space above ceiling: _____
 - Optional ceiling closure panel.
 - Optional ceiling finish kit: consists of ceiling closure panel and mating trim kit to finish ceiling opening.
- C) If you selected one of the above options please use the following chart to select the correct size plenum housing, ceiling closure, or ceiling finish kit:

	Size B (SL Only)	Size S (SL Only)	Size E	Size J	Size G	Size U
Max. Projector Size W x L	25" x 25"	25½" x 27½"	25½" x 35½"	25½" x 39½"	31½" x 44½"	27½" x 30½"
Ceiling Opening W x L	29⅞" x 29⅞"	29½" x 32"	29½" x 40"	29½" x 44"	35⅞" x 49"	36⅞" x 36⅞" (Trim edge-to-edge)
Ceiling Closure Panel W x L	30⅝" x 30⅝"	30" x 32½"	30" x 40⅝"	30" x 44½"	36⅜" x 49½"	37⅜" x 37⅜" (Trim edge-to-edge)

⑤ **Do you want the optional factory installed hookup for RGB, Video and Projector Control?** Yes No

- A) What type of connectors do you need on **Inputs (to Projector)?** What type of connectors do you need on **Outputs (to Lift)?**
- BNC How Many? _____ BNC How Many? _____
 - 15 Pin HD How Many? _____ 15 Pin HD How Many? _____
 - RCA How Many? _____ RCA How Many? _____
 - S-Video How Many? _____ S-Video How Many? _____
 - RS232 (DB9) How Many? _____ RS232 (DB9) How Many? _____

⑥ **Select Voltage:**

- 110-120V
- 220-230V

⑦ **Select Controls: This unit comes with one 12v Toggle Switch and 12v Momentary Key Control. For other switching options, please select from below:**

- Optional Video Interface Control (VIC12) for projection screen operation
- Optional Key Operated Power Supply Key Switch (On-off)
- Optional Low Voltage Control (LVC-III)—24V*
 Specify number of switches (LVC-S) _____ (Controls the "Show" position only)

***This is required for any of the following options:**

- Wireless Remote Control (radio frequency transmitter & receiver) (Controls the "Show" position only)
- Wireless Remote Control (infrared transmitter & receiver) (Controls the "Show" position only)

⑧ **Will this unit be controlled by other equipment?**

- No.
- Yes. What kind of equipment? _____

Specifications—Scissor Lift

_____ video projector lifts, Model (SL4/SL5/SL6/SL7/SL8/SL9/SL10/SLX11/SLX12/SLX13/SLX14/SLX15/SLX16/SLX17), for projectors weighing up to 350#. Dove grey baked powder coat finish. Projector bolts onto operating pan, or mounts to pan with optional SMS Low Profile Lift Bracket (projectors through 26 lbs only). Electrically operated 110-120V AC, 60 Hz. UL recognized gearmotor, with metal chain drive system, to be lifetime lubricated.

For SL Models: Projector to be suspended from 2¾" x 20" x 20" x 11 ga. steel pan supported by steel scissor arms and operated by two ⅞" aircraft cables with 2000 foot/pounds tensile strength per cable.

For SLX Models: Projector to be suspended from 3¼" x 24" x 26" x 11 ga. steel pan supported by steel scissor arms and operated by two, ¾" aircraft cables with 4200 foot/pounds tensile strength per cable.

Equipped with 3 sets of stabilizing scissors, positioned on the left, right, and rear sides. Also equipped with fail-safe inertial safety belt system and Cable Management System with projector power cord. Factory set limit switches to automatically stop travel at store, show, and service positions. Single Station Control, standard, consists of one 12V toggle switch to lower lift from "stored" to "show" positions, and one 12V momentary key switch to lower lift from "show" to

"service" position. Optional LVC-III for operation from "stored" to "show" positions only; required for use with Key Operated Switch.

Optional plenum housing consists of suitable painted steel panels for use in return air plenum situations. Optional ceiling closure panel, finished in white baked textured powdercoat, shall descend smoothly with projector. Choose a model based on number of feet needed (4'-9"/11'-17") to put projector within easy reach for servicing.

Please Note: The Scissor Lift should be specified in conjunction with a DRAPER motorized screen.

SMS Low Profile Fixed Mount: Ceiling mount shall consist of a steel ball joint and Universal Projector Bracket. Mount shall be 2" long, and shall securely attach to lift with steel mounting plate (provided). Installer shall provide mounting hardware appropriate to ceiling conditions. Steel ball joint attaches to Universal Projector Bracket with twist-lock engagement. Min. overall height of assembled unit shall be 4⅞". Mount shall provide up to 30° roll or pitch adjustment and 360° yaw adjustment at ball joint. Two setscrews lock ball joint in position. Max. load 26 lbs.

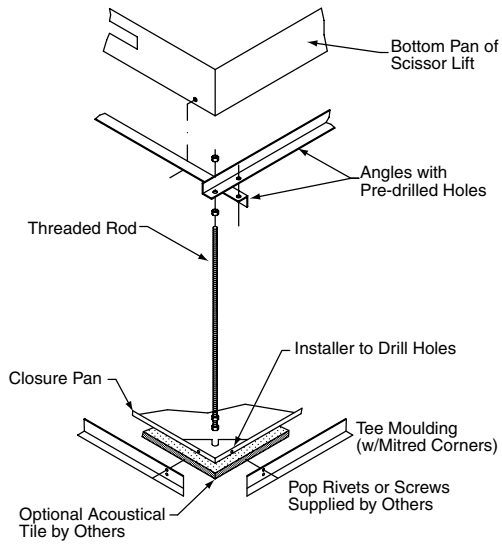
Optional Ceiling Access Door: Provides access to projector and lift when unit is installed above hard ceiling. Choose one: [White painted finish/accepts ceiling tile].

Downloadable 3-part specifications are available at www.draperinc.com.

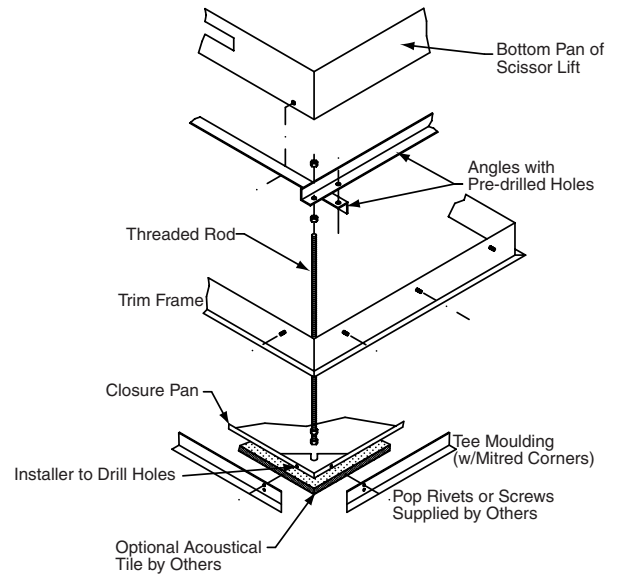
DRAPER SALESPERSON: _____

CUSTOMER CONTACT: _____

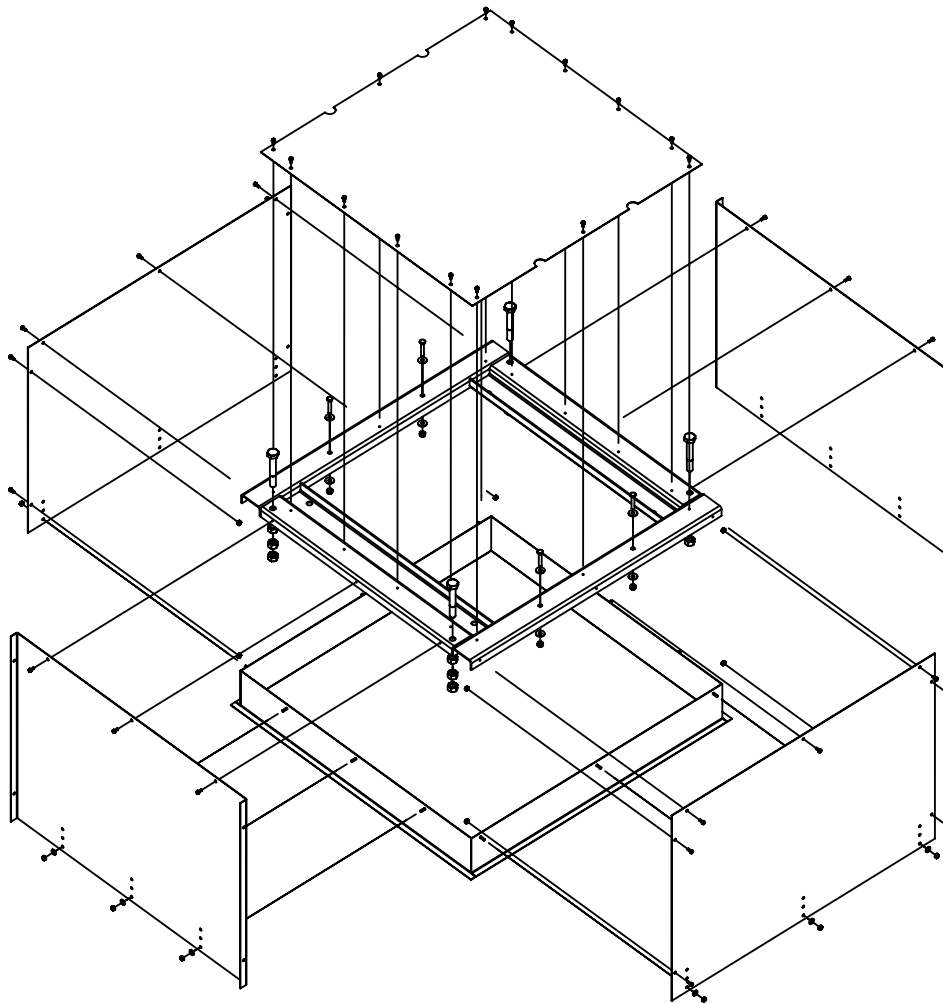
Closure Panel



Ceiling Finish Trim Kit



Scissor Lift Plenum Housing (Exploded View)

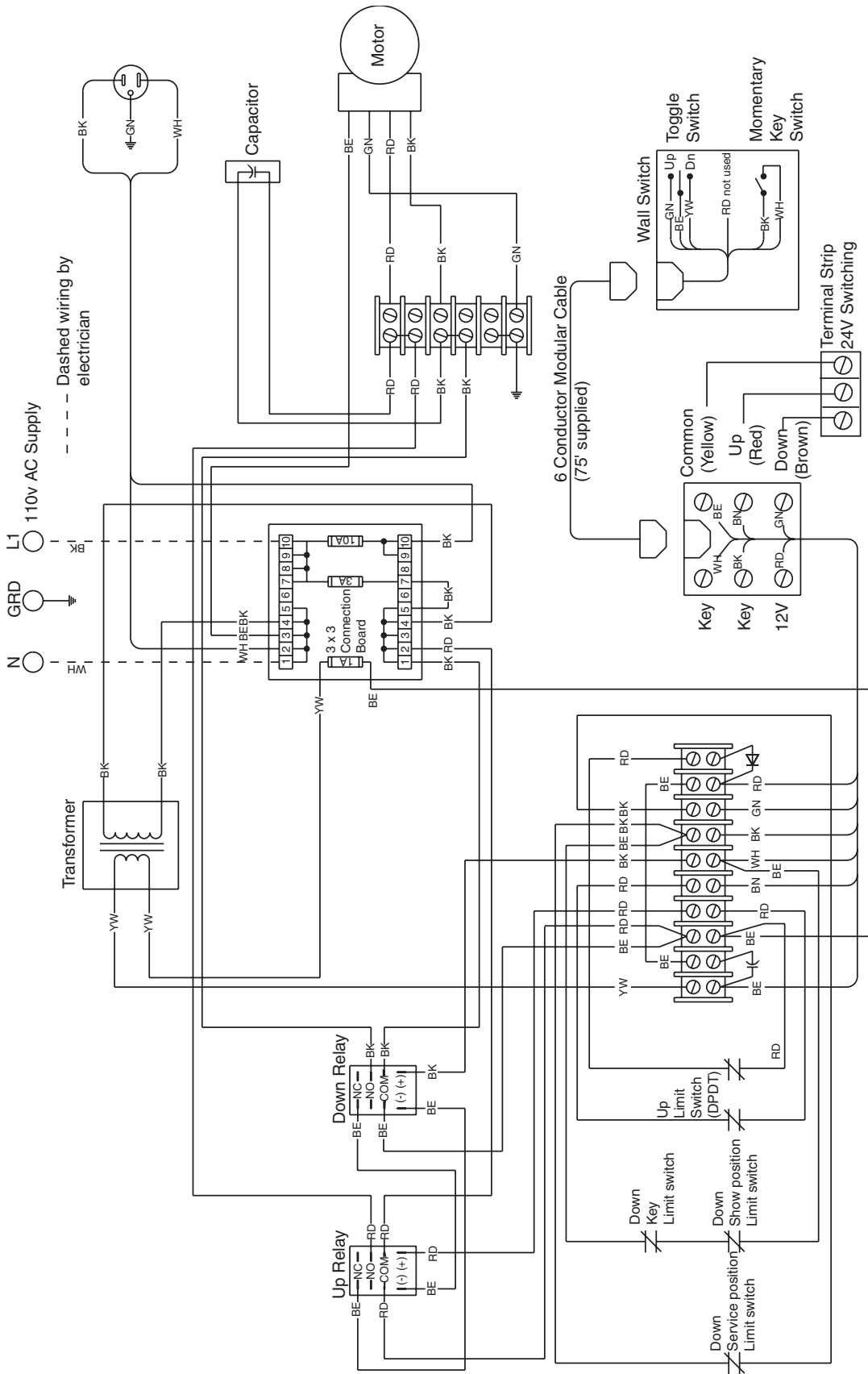


DRAPER SALESPERSON: _____

CUSTOMER CONTACT: _____

www.draperinc.com **DRAPER** (765) 987-7999 SIGNATURE: _____

Wiring Diagram



DRAPER SALESPERSON: _____

CUSTOMER CONTACT: _____

www.draperinc.com **DRAPER** (765) 987-7999 SIGNATURE: _____

Free Manuals Download Website

<http://myh66.com>

<http://usermanuals.us>

<http://www.somanuals.com>

<http://www.4manuals.cc>

<http://www.manual-lib.com>

<http://www.404manual.com>

<http://www.luxmanual.com>

<http://aubethermostatmanual.com>

Golf course search by state

<http://golfingnear.com>

Email search by domain

<http://emailbydomain.com>

Auto manuals search

<http://auto.somanuals.com>

TV manuals search

<http://tv.somanuals.com>