

Scissor Lift–SLX Series

Motorized Ceiling-Recessed
Video Projector Lift

by **DRAPER**

DIMENSIONS & DATA	MODEL SLX11	MODEL SLX12	MODEL SLX13	MODEL SLX14	MODEL SLX15	MODEL SLX16	MODEL SLX17
Height of lift in closed position*	13¾"	15¾"	15¾"	17⅞"	17⅞"	19⅞"	19⅞"
Overall lift dimensions (WxL**)	27" x 29½"	27" x 29½"	27" x 29½"	27" x 29½"	27" x 29½"	27" x 29½"	27" x 29½"
Max. down travel (Service Position)	11'	12'	13'	14'	15'	16'	17'
Approx. travel time to serv. position	99 sec.	108 sec.	117 sec.	125 sec.	134 sec.	143 sec.	152 sec.
Capacity (lbs.)	350	350	350	350	350	350	350
Net weight (lbs.)	160	165	170	175	180	185	190
Shipping weight (lbs.)	186	191	196	201	206	211	216
Amperes***	2.6	2.6	2.6	2.6	2.6	2.6	2.6

Show Position — Set at factory. Can specify at time of order

Max. projector height — If recessed, limited only by amount of available space above the ceiling

Min. clear space above finished ceiling — Will vary according to projector height, optional mounting bracket, optional ceiling closure, optional plenum housing

	Size E	Size J	Size G	Size U
Max. Projector Size W x L	25½" x 35½"	25½" x 39½"	31½" x 44½"	27½" x 30½"
Ceiling Opening W x L	29½" x 40"	29½" x 44"	35⅞" x 49"	36⅞" x 36⅞" (Trim edge-to-edge)
Ceiling Closure Panel W x L	30" x 40⅝"	30" x 44½"	36⅞" x 49½"	37⅞" x 37⅞" (Trim edge-to-edge)

Optional ceiling mounting bracket — SMS Low Profile for projector lifts.

Optional plenum housing — Height, width and length will vary according to choice of projector

* Only height of Scissor Lift in closed position. Overall height of projector, plus optional mounting bracket, plus optional ceiling closure, plus optional plenum housing adds to overall height of equipment installed above ceiling. SMS Low Profile Bracket adds 4⅞" to height, including universal projector bracket.

** Length includes the ½" cable carrier of the Cable Management System.

*** Does not include any load placed on Scissor Lift's prewired power cable.

Please Check All Appropriate Selections

Select Model:

- Model SLX11 Model SLX14 Model SLX17
 Model SLX12 Model SLX15
 Model SLX13 Model SLX16

Select Controls: This unit comes standard with one 12v Toggle Switch and 12v Momentary Key Control. For other switching options, please select from below:

- Optional Video Interface Control (VIC12) for projection screen operation
 Optional Key Operated Power Supply Key Switch (On-off)
 Optional LVC-III — 24v (low voltage)*

*This is required for any of the following options:

- Wireless Remote Control (radio frequency transmitter & receiver)
 Wireless Remote Control (infrared transmitter & receiver)

Select Optional Accessories:

- Optional factory installed cables for RGBHV, Video, and RS232
 Specify connector types: _____
 Optional ceiling closure
 E J
 G U
 Optional ceiling finish kit
 Optional 2' x 2' ceiling access door to allow access above finished ceilings
 White painted finish
 Accepts ceiling tile

(Please Note: option ceiling access door is highly recommended.)

- Optional plenum housing
 Optional SMS Low Profile Projector Bracket (Max. load 26 lbs.)

If you are ordering an SMS Low Profile Projector Bracket with this unit, please specify projector manufacturer and model number:

(If not available at time of order, it may be provided later)

Specifications—Scissor Lift

U.S. Patent D395,909

_____ video projector lifts, Model (SLX11-17), for projectors weighing up to 350#. Dove grey baked powdercoat finish. Projector bolts onto operating pan, or mount to pan with optional SMS Low Profile Lift Bracket. Electrically operated 110-120V AC, 60 Hz. UL recognized gearmotor, with metal chain drive system, to be lifetime lubricated. Draws 2.6 amps. Projector to be suspended from 3¼" x 24" x 26" x 11 ga. steel pan supported by steel scissor arms and operated by two, ⅜" aircraft cables with 4200 foot/pounds tensile strength per cable. Scissor Lift equipped with 3 sets of stabilizing scissors, positioned on the left, right, and rear sides. Also equipped with fail-safe inertial safety belt system and Cable Management System with projector power cord. Factory set limit switches to automatically stop travel at store, show, and service positions. Single Station Control, standard, consists of one 12V toggle switch to lower lift from "stored" to "show" positions, and one 12V momentary key switch to lower lift from "show" to "service" position. Optional LVC-III for operation from "stored" to "show" positions only; required for use with Key Operated Switch.

Optional plenum housing consists of suitable painted steel panels for use in return air plenum situations. Optional ceiling closure panel, finished in white baked textured powdercoat, shall descend smoothly with projector. Choose a model based on number of feet needed (11'-17') to put projector within easy reach for servicing.

Please Note: The Scissor Lift should be specified in conjunction with a DRAPER motorized screen.

SMS Low Profile Fixed Mount: Ceiling mount shall consist of a steel ball joint and Universal Projector Bracket. Mount shall be 2" long, and shall securely attach to lift with steel mounting plate (provided). Installer shall provide mounting hardware appropriate to ceiling conditions. Steel ball joint attaches to Universal Projector Bracket with twist-lock engagement. Min. overall height of assembled unit shall be 4⅞". Mount shall provide up to 30° roll or pitch adjustment and 360° yaw adjustment at ball joint. Two setscrews lock ball joint in position. Max. load 26 lbs.

Ceiling Access Door: Provides access to projector and lift when unit is installed above hard ceiling. Finished by ceiling contractor to match ceiling.

DRAPER

411 S. Pearl St., Spiceland, IN 47385 USA ■ 765-987-7999

www.draperinc.com ■ fax 765-987-7142

Copyright © 2007 Draper Inc. Form ScissorLift-SLX_Sub07-R Printed in U.S.A.

PROJECT: _____

ARCHITECT: _____

CONTRACTOR: _____

SUPPLIER: _____

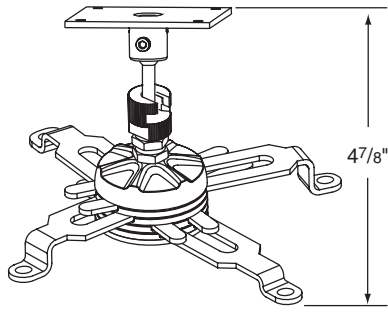
DATE: _____ REVISED: _____

Dimensions

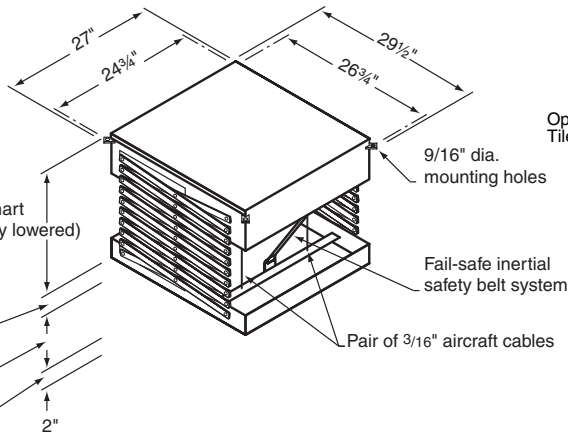
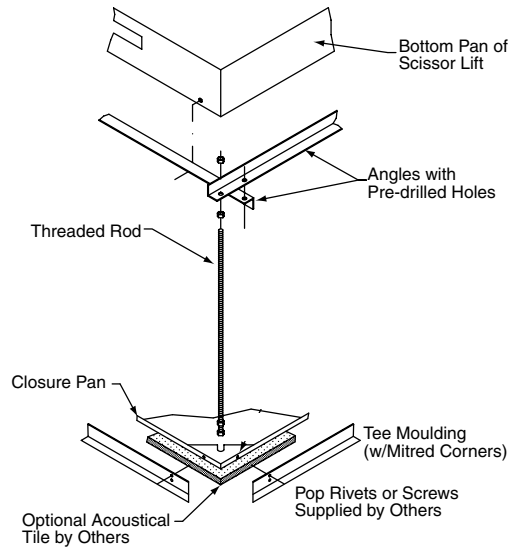
Model	Lowering Distance	Retracted Height ¹
SLX11	11'	13 ³ / ₄ "
SLX12	12'	15 ³ / ₄ "
SLX13	13'	15 ³ / ₄ "
SLX14	14'	17 ¹ / ₈ "
SLX15	15'	17 ¹ / ₈ "
SLX16	16'	19 ¹ / ₈ "
SLX17	17'	19 ¹ / ₈ "

¹ SMS Low Profile Bracket adds 4⁷/₈", including universal projector bracket, to unit height.

Optional SMS Low Profile Projector Bracket



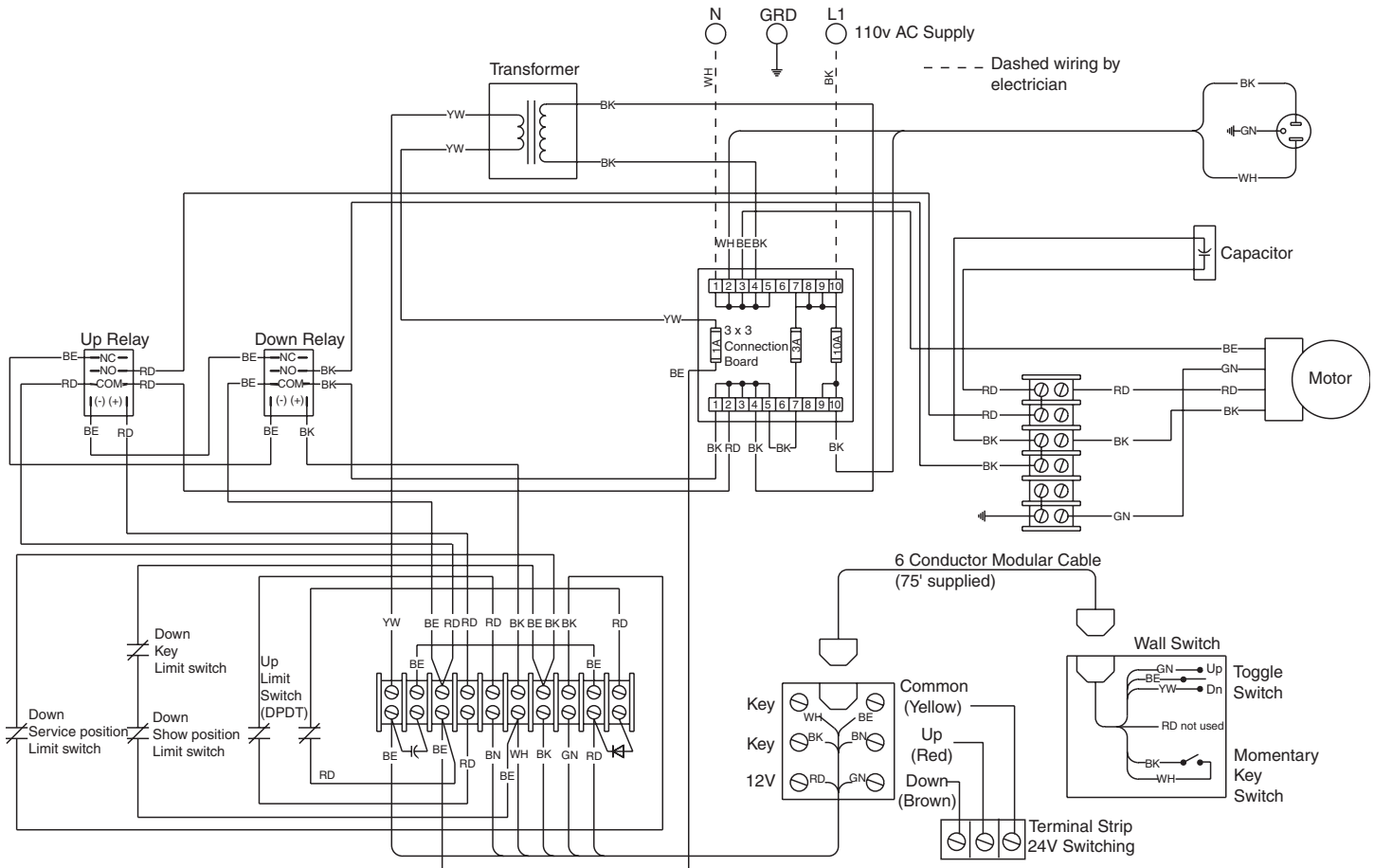
Optional Ceiling Closure for Scissor Lift—SLX Series



Space for projector's ceiling mounting bracket

Space for projector
Optional ceiling closure panel

Wiring Diagram



Free Manuals Download Website

<http://myh66.com>

<http://usermanuals.us>

<http://www.somanuals.com>

<http://www.4manuals.cc>

<http://www.manual-lib.com>

<http://www.404manual.com>

<http://www.luxmanual.com>

<http://aubethermostatmanual.com>

Golf course search by state

<http://golfingnear.com>

Email search by domain

<http://emailbydomain.com>

Auto manuals search

<http://auto.somanuals.com>

TV manuals search

<http://tv.somanuals.com>