

Micro Projector Lift

Designed for today's smaller projectors.

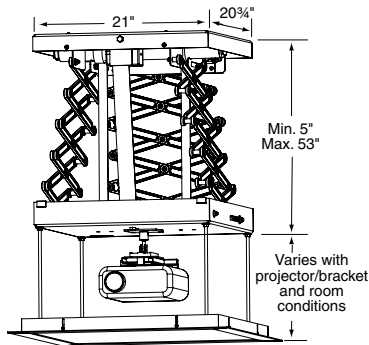
The MICRO PROJECTOR LIFT (MPL) is small and convenient, just like the projectors it is designed to accommodate. Weighing only 35 pounds, it can be installed in an existing 2' x 2' ceiling opening without disturbing the ceiling framework. The projector's "show" position can be set at any point with infinite adjustability, up to 48" extension.

The MICRO PROJECTOR LIFT utilizes the same exclusive 3-scissor design as DRAPER's popular SCISSOR LIFT (see page 6), but features a compact side-folding scissor. The load is lifted by two 1" wide Kevlar® straps. Safety belt provides extra protection. Closed height of lifting unit is only 5" tall (not including projector, mounting mechanism or closure), so a minimal amount of overhead ceiling space is required.

System Options

- **Ceiling closure panel**—White closure panel is optional and can also be adapted to attach ceiling tile to match surrounding ceiling. Ceiling closure panel option shown in photos at right.
- **Plenum housing**—Height varies according to choice of projector. Overall height of plenum is adjustable. Includes ceiling trim ring. Does not include ceiling closure panel.
- **Ceiling finish kit**—Ceiling closure panel and ceiling trim ring to finish ceiling opening.
- **Projector mounting bracket**—The LOW PROFILE MOUNT is described below. Projector may also be mounted flush to bottom pan.
- **Factory installed cables** for Video and Projector Control.
- **Ceiling access door**—A 2' x 2' hinged door provides access to the MPL above a finished ceiling for maintenance or repairs without having to damage the ceiling. Available with a white painted finish or recessed to accept ceiling tile.
- **Controls**—Includes 1 wall switch. See website for other control options.

www.draperinc.com/go/MPL.htm



MPL installations, both featuring optional ceiling closure. Photography by Wayne Williams, Indianapolis, IN. U.S. Patent Nos. D395,909 and 6,637,711. Other patents pending.

Kevlar® is a registered trademark of DuPont.

Dimensions & Data—Micro Projector Lift

Height of lift in closed position ¹	5"
Overall lift dimensions (W x L)	21" x 20 3/4"
Ceiling opening	23 1/2" x 23 1/2"
Optional plenum housing (trim edge to trim edge) ²	23 7/8" x 23 7/8"
Max. projector size (W x L) ³	20" x 20"
Max. down travel	4'
Capacity ⁴	35 lbs.
Capacity with LOW PROFILE MOUNT	26 lbs.
Net weight of lift	35 lbs.
Amperes ⁵	1.2

¹ Not including projector, mount/bracket or optional closure. Optional LOW PROFILE MOUNT adds 4 7/8" to unit height (including UNIVERSAL PROJECTOR BRACKET).

² Max. plenum height: 20 7/8". Min. plenum height: 12 1/2"

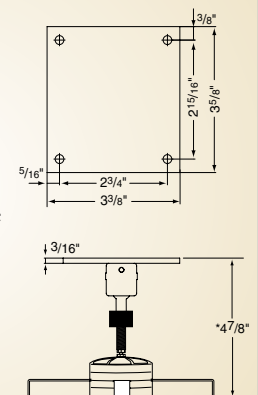
³ Max. available projector/bracket height (with Plenum): 13 1/2",
Min. available projector/bracket height (with Plenum): 5 1/2"

⁴ Does not include allowance for closure panel. Closure panel weighs 10 lbs.

⁵ Does not include any load placed on MPL's pre-wired power cable.

Low Profile Mount

Fixed mount for "low profile" ceiling installations with our UNIVERSAL PROJECTOR BRACKET for projectors weighing less than 26 pounds. Places top of projector only 4 7/8" from ceiling (*may vary slightly according to choice of projector). Ball joint adjusts infinitely up to 30° pitch, 30° roll and 360° yaw. The SMS LOW PROFILE MOUNT may be used in most DRAPER projector lifts.



Free Manuals Download Website

<http://myh66.com>

<http://usermanuals.us>

<http://www.somanuals.com>

<http://www.4manuals.cc>

<http://www.manual-lib.com>

<http://www.404manual.com>

<http://www.luxmanual.com>

<http://aubethermostatmanual.com>

Golf course search by state

<http://golfingnear.com>

Email search by domain

<http://emailbydomain.com>

Auto manuals search

<http://auto.somanuals.com>

TV manuals search

<http://tv.somanuals.com>