

lifetime limited warranty

Your Drive brand product is warranted to be free of defects in materials and workmanship for the lifetime of the original consumer purchaser.

This device was built to exacting standards and carefully inspected prior to shipment. This Lifetime Limited Warranty is an expression of our confidence in the materials and workmanship of our products and our assurance to the consumer of years of dependable service.

This warranty does not cover device failure due to owner misuse or negligence, or normal wear and tear. The warranty does not extend to non-durable components, such as rubber accessories, casters, and grips, which are subject to normal wear and need periodic replacement.

If you have a question about your Drive device or this warranty, please contact an authorized Drive dealer.



© 2012 Medical Depot, Inc. All rights reserved.

Drive is a trademark of Medical Depot, Inc.

Port Washington N.Y. 11050 USA Made in China

Download from www.Somanuals.com. All Manuals Search And Download.

trapeze bar & base

item # 13009SV, 13017SV



EU Authorized Representative
Drive Medical LTD
Ainley's Industrial Estate
Elland, West Yorkshire,
United Kingdom HX5 9JP

www.drivemedical.com

A large, vertical version of the Drive logo. The word "drive" is written in a bold, white, lowercase sans-serif font. A small yellow square is positioned above the letter "i". A trademark symbol (TM) is located at the top right of the word.

assembly instructions

Drive Trapeze Bar Item # 13009SV

1. Slide bracket (14) over arm (21)
 - a. NOTE: Do not remove screw from arm (20)
2. Set slide bracket to the desired position by tightening bolt (16).
3. Hook the chain (18) to the triangle (17).
4. Hook the unattached side of the chain to the slide bracket (14).
5. Install Clamps to either bed headboard or Trapeze Base. Tighten firmly.
6. Slide Trapeze arm (21) and Trapeze post (19) over connector tube (24) and tighten with bolts (22).
7. Insert assembled, Overhead Trapeze (19 & 21) into receiving clamps.
8. Set height and tighten as necessary.

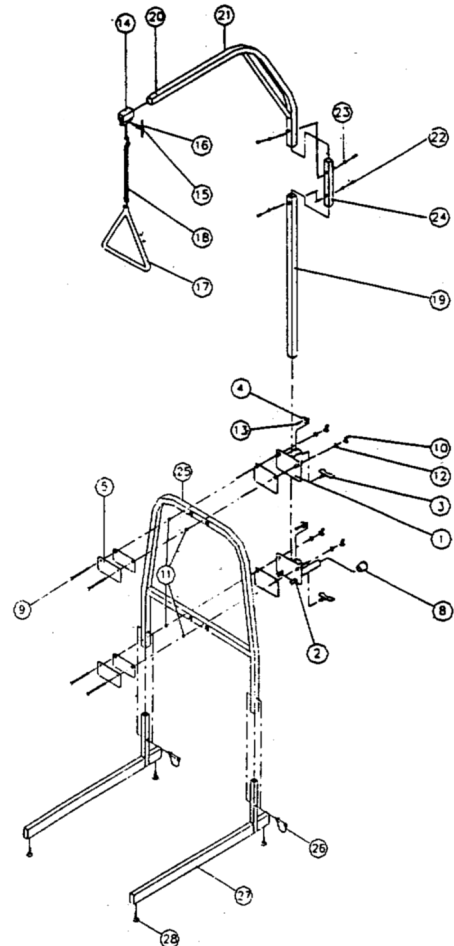
Drive Trapeze Base Item # 13017SV

1. Remove A-Frame (part # 25 from box and insert leg extensions (part # 27) into "A" shape frame.
2. Secure with spring clips (part # 26).
3. To attach Overhead to base, install assembled receiving clamps to horizontal "A" shape frame section. Tighten clamps firmly.

IMPORTANT

Prior to patient use, be sure to tighten trapeze clamps onto either bed or Trapeze base.

The Trapeze , used in conjunction with a bed, can assist an individual weighing up to 450lbs (204kg). The Trapeze is designed to provide support, increase stability and assist the user when repositioning himself/herself in bed. The Trapeze is not designed, however, to support the total body weight of an individual. Use it for assistance only.



Free Manuals Download Website

<http://myh66.com>

<http://usermanuals.us>

<http://www.somanuals.com>

<http://www.4manuals.cc>

<http://www.manual-lib.com>

<http://www.404manual.com>

<http://www.luxmanual.com>

<http://aubethermostatmanual.com>

Golf course search by state

<http://golfingnear.com>

Email search by domain

<http://emailbydomain.com>

Auto manuals search

<http://auto.somanuals.com>

TV manuals search

<http://tv.somanuals.com>