

TRIDENT POWER WHEELCHAIR



Owner's Operation Manual

MODEL #s 2850-18 & 2850-20

Read all precautions and instructions in this manual before using this equipment.
Save this manual for future reference.

CONTENTS

| | |
|--|----|
| FORWARD | 6 |
| PRODUCT DIRECTION | 6 |
| SPECIFICATION | 7 |
| CAUTIONS BEFORE USE | 8 |
| 1. Driving | |
| 2. Terrain | |
| 3. Slope | |
| 4. Attendant | |
| 5. Other | |
| UNPACKING & ASSEMBLY..... | 10 |
| ADJUSTMENT..... | 14 |
| 1. Headrest height adjustment | |
| 2. Armrest Height Adjustment | |
| 3. Back angle adjustment | |
| 4. Retractable Joystick | |
| 5. Footplate height adjustment | |
| OPERATION | 17 |
| 1. Sit On | |
| 2 Get Up | |
| 3. Clutch | |
| 4. Battery Charger and Battery Charging | |
| 5. Controller | |
| 6. Take off the battery cases | |
| 7. Wiring diagram | |
| 8. Flash code | |
| 9. Operation | |
| 10. Security Function: | |
| TRANSPORTATION AND STORAGE..... | 28 |
| 1. Transportation | |
| 2. Storage | |
| MAINTENANCE | 29 |
| 1. Cleaning and Check-Up | |
| 2. Maintenance and Controller self-check | |
| WARRANTY | 31 |

FORWARD



Electromagnetic emissions information

The Trident is intended for use in the electromagnetic environment specified below. The customer of the Trident should assure that it is used in such an environment.

| Emissions test | Compliance | Electromagnetic environment - guidance |
|--|----------------|--|
| RF emissions CISPR 11 | Group 1 | The Trident is suitable for use in all establishments, including domestic establishments and those directly connected to the public low-voltage power supply network that supplies buildings used for domestic purposes. |
| RF emissions CISPR 11 | Class B | |
| Harmonic emissions IEC 61000-3-2 | Not applicable | |
| Voltage fluctuations / flicker emissions IEC 61000-3-3 | Not applicable | |

FORWARD

Guidance and manufacturer's declaration - electromagnetic emissions information

The Trident Image Intensifier is intended for use in the electromagnetic environment specified below. The customer or the user of the Trident Image Intensifier should assure that it is used in such an environment.


| IMMUNITY test | IEC 60601 Test level | Compliance level | Electromagnetic environment - guidance |
|--|--|------------------------------|--|
| Electrostatic Discharge (ESD) IEC 61000-4-2 | ± 6 kV contact ± 8 kV air | ± 6 kV contact ± 8 kV air | Floors should be wood, concrete or ceramic tile. If floors are contain synthetic material, the relative humidity should be at least 30%. |
| Electrical fast Transient/burst IEC 61000-4-4 | ± 2kV for power Supply lines ± 1kV for input/output lines | Not applicable | Mains power quality should be that of a typical commercial or hospital environment. |
| Surge IEC 61000-4-5 | ± 1 kV line(s) to line(s) ± 2kV line(s) to earth | Not applicable | Mains power quality should be that of a typical commercial or hospital environment. |
| Voltage dips, short interruptions and voltage variations on power supply input lines IEC 61000-4-11 | <5% U _T (>95% dip in U _T) for 0.5 cycle 40% U _T (60% dip in U _T) for 5 cycles 70% U _T (30% dip in U _T) for 25 cycles <5% U _T (95% dip in U _T) for 5 s | Not applicable | Mains power quality should be that of a typical commercial or hospital environment. If the user of the (ME EQUIPMENT or ME SYSTEM) requires continued operation during power mains interruptions, it is recommended that the (ME EQUIPMENT or ME SYSTEM) be powered from an uninterruptible power supply or a battery. |
| Power frequency (50/60 Hz) magnetic field IEC 61000-4-8 | 3 A/m | Not applicable | Power frequency magnetic fields should be at levels characteristic of a typical location in a typical commercial or hospital environment. |

NOTE U_T is the a.c. mains voltage prior to application of the test level.

FORWARD

Guidance and manufacturer's declaration - electromagnetic emissions information

The Trident is suitable for use in the electromagnetic environment specified below. The customer or the user of the Trident should assure that it is used in such an electromagnetic environment.

| IMMUNITY test | IEC 60601 TEST LEVEL | Compliance level | Electromagnetic environment - guidance |
|-------------------------------|------------------------------|------------------|--|
| Radiated RF IEC 61000-4-6 | 3 V/rms 150 kHz to 80 MHz | Not applicable | Portable and mobile RF communications equipment should be used no closer to and part of the (ME EQUIPMENT or ME SYSTEM), including cables, than the recommended separation distance calculated from the equation applicable to the frequency of the transmitter. Recommended separation distance $d = [3,5 / V1] \sqrt{P}$ $d = [3,5 / E1] \sqrt{P}$ 80 MHz to 800 MHz $d = [7 / E1] \sqrt{P}$ 800 MHz to 2.5 GHz where P is the maximum output power rating of the transmitter in watts (W) according to the transmitter manufacturer and d is the recommended separation distance in metres (m). Field strengths from fixed RF transmitters, as determined by an electromagnetic site survey, ^a should be less than the compliance level in each frequency range. B Interference may occur in the vicinity of equipment marked with the following symbol:  |
| Conducted Rf IEC 61000-4-3 | 3 V/m 80 kHz to 25 MHz | 10 V/m | |

NOTE 1 At 80 MHz and 800 MHz, the higher frequency range applies.

NOTE 2 These guidelines may not apply in all situations. Electromagnetic propagation is affected by absorption and reflection from structures, objects and people.

a Field strengths from fixed transmitters, such as base stations for radio (cellular / cordless) telephones and land mobile radios, amateur radio, AM and FM radio broadcast and TV broadcast cannot be predicted theoretically with accuracy. To assess the electromagnetic environment due to fixed RF transmitters, an electromagnetic site survey should be considered. If the measured field strength in the location in which the (ME EQUIPMENT or ME SYSTEM) is used exceeds the applicable RF compliance level above, the (ME EQUIPMENT or ME SYSTEM) should be observed to verify normal operation. If abnormal performance is observed, additional measures may be necessary, such as re-orienting or relocating the (ME EQUIPMENT or ME SYSTEM).

b Over the frequency range 150 kHz to 80 MHz, field strengths should be less than [V1] V/m.

FORWARD

FORWARD:

Thank you for choosing the Trident power wheelchair. For safety and others, please read this user's manual carefully before operation.

- (1) Please read every detail in the manual before operation and maintenance.
- (2) Please carry the user's manual with you for reference and familiarity on how to operate/drive this power wheelchair.
- (3) This user's manual is a part of the power wheelchair, please keep it with the chair at all times.

PRODUCT DIRECTION:

The maximum load capacity is (300 pounds) with damper and pneumatic tires to support user weight against vibration from all terrains while driving. Be sure to read all instructions carefully before attempting to use. Being familiar with the product operation and functionality will ensure the safety of operation for users and others.

Since the Trident power wheelchair consists of delicate electronic devices such as a joystick and controller, be careful during transportation and storage. Be sure to keep it away from violent collision or high humidity. Use a dry fabric to wipe up any moisture.

SPECIFICATIONS

SPECIFICATIONS

| | Trident |
|------------------|----------------------|
| Seat width | 49cm / 19" |
| Seat depth | 49cm / 19" |
| Back height | 48cm / 19" |
| Overall length | 110cm / 43" |
| Overall height | 116cm / 46" |
| Overall width | 64cm / 25" |
| Ground clearance | 5cm / 2" |
| Max. Speed | 8km/h |
| Caster wheel | 8" |
| Drive wheel | 14" |
| Max.user weight | 135 kgs / 300 lbs |
| Charger | 24V/ 5A, off-board |
| Battery | 12V 36Ah*2 |
| Motor | DC 24V 320W* 32: 1*2 |

All specifications and designs are subject to change without notice.

CAUTIONS BEFORE USE

CAUTIONS BEFORE USE:

For the best performance and safe operation, read the following instructions:

(1) Driving :

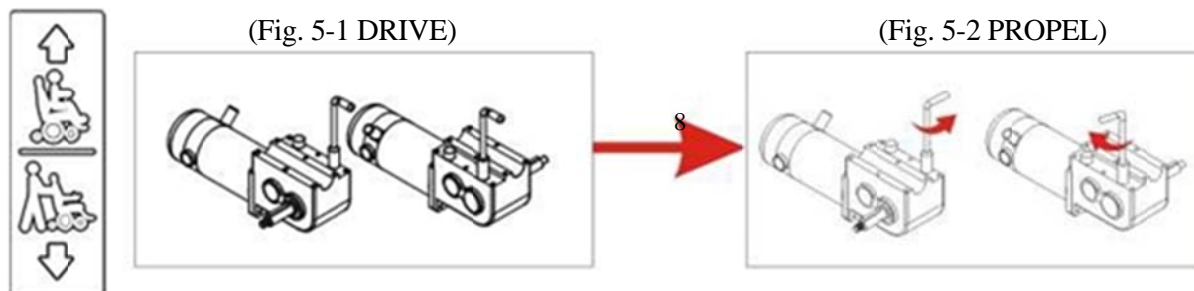
1. Be careful and understand the speed buttons on the control panel. Start from slowest level and practice in wide open spaces.
2. Do not step directly onto the footplates when entering or exiting from the power wheelchair.
3. Make sure user's feet are on footplates while sitting on the power wheelchair, and buckle up with arms on armrests.
4. Contact your dealer immediately in case of any abnormality or operational issues.
5. Drive safely at steady speed. **DO NOT** make sharp or quick turns.
6. Be sure to follow the local traffic rules while driving outdoors.
7. Keep user's weight including luggage under limit of (300lbs) all the time.
8. Each power wheelchair is for only one user at a time. Overloading the power wheelchair could cause damage to the product or battery, and create an unsafe operational condition.

(2) Terrain:

1. Avoid driving in traffic.
2. Driving on road instead of sidewalk/pavement is not recommended.
3. Do **NOT** drive on grass, sand, mud, gravel, ice and other slippery terrains.
4. **DO NOT** drive outdoors in fog, rain, snowy or wet terrain.

(3) Slope:

1. Do **NOT** drive on slope, sliding or declining terrains.
2. Be sure to slow the speed when coming down an incline or hill, lowest speed is recommended.
3. Do **NOT** drive on slope over 6 degrees at any time.
4. Be sure to keep wheels in vertical position against curbs or stairs when crossing.
5. Keep both clutch levers in the engaged position, parallel to the drive wheels, when climbing on slopes. When the motor levers are in the disengaged position (Fig.5-2), the vehicle cannot be operated by the controller.



CAUTIONS BEFORE USE

(4)Attendant:

- a. Make sure the user sits in the power wheelchair, and have the user's feet on the footplate.
- b. Keep the motor lever at engaged position (Fig. 5-1) to ensure braking when the power wheelchair is powered off.

(5)Other:

- a. When the wheelchair's power is in the ON position, DO NOT use a cell/mobile phone or any wireless device to avoid possible interference to controller by electro feedback. Also keep away from high voltage or radio transmitter.

Be sure to switch off the power wheelchair and ask for help in case of abnormal movement resulting from unexpected electro interference.

- b. Keep the power wheelchair away from dampness or storage under high humidity. Wipe off moisture with dry, clean with soft fabric as soon as possible.

- c. Be sure to pay attention to the warnings, such as weight capacity warning sticker on the rear of frame shown by the following picture; keep them clean on the power wheelchair.



UNPACKING & ASSEMBLY

PARTS: (Standard) Contains 1 of each of the following




Retractable joystick X 1

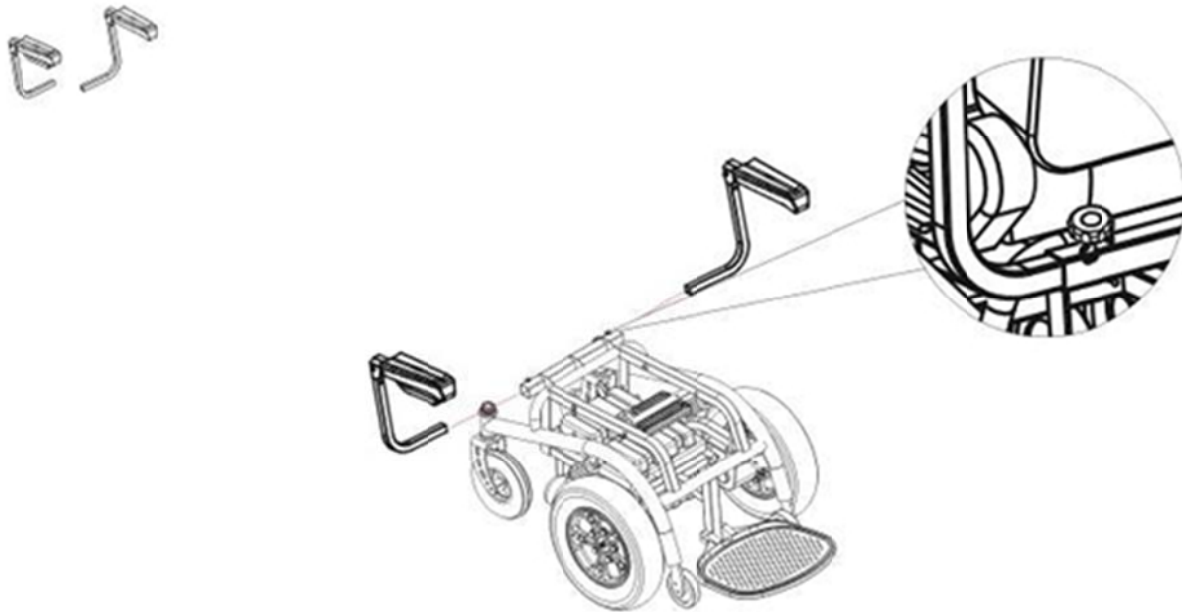


PARTS: (Optional accessories)

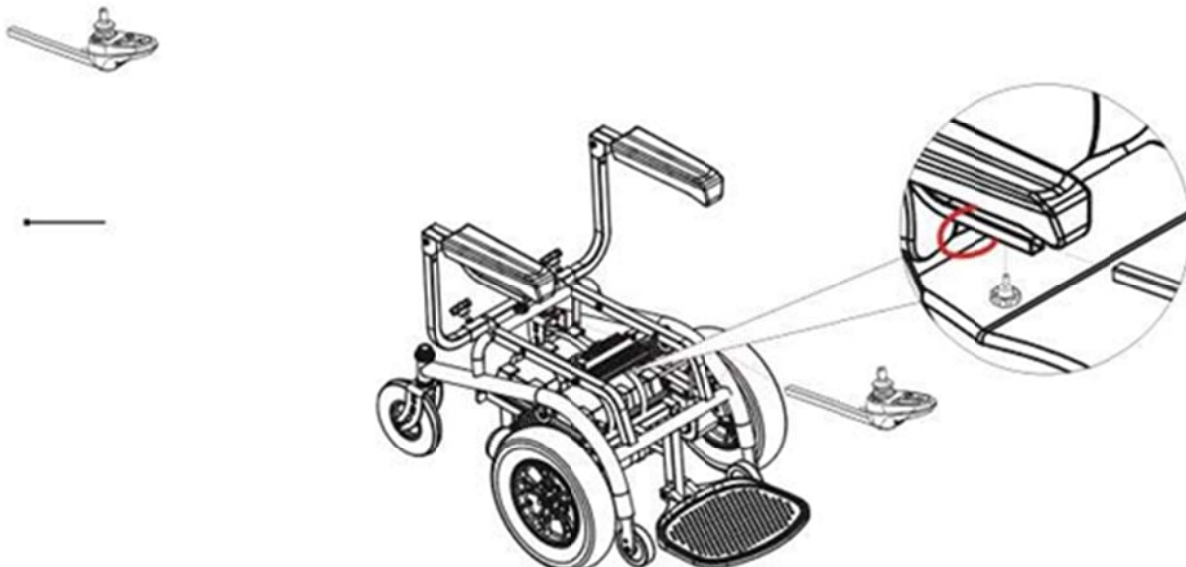
UNPACKING & ASSEMBLY

 **Warning:** Have two people take care of the seat disassembly and transportation. Unpack your power wheelchair where it will be used. Be careful not to damage anything during the unpacking process. Place your power wheelchair on a level flat surface. It is recommended that you place a protective covering on your floor.

- 1** 1-1. Take out the left/ right armrests assemblies from carton and insert them into the adapters on the back of seat frame as shown in the following picture. Tighten them by the knobs.



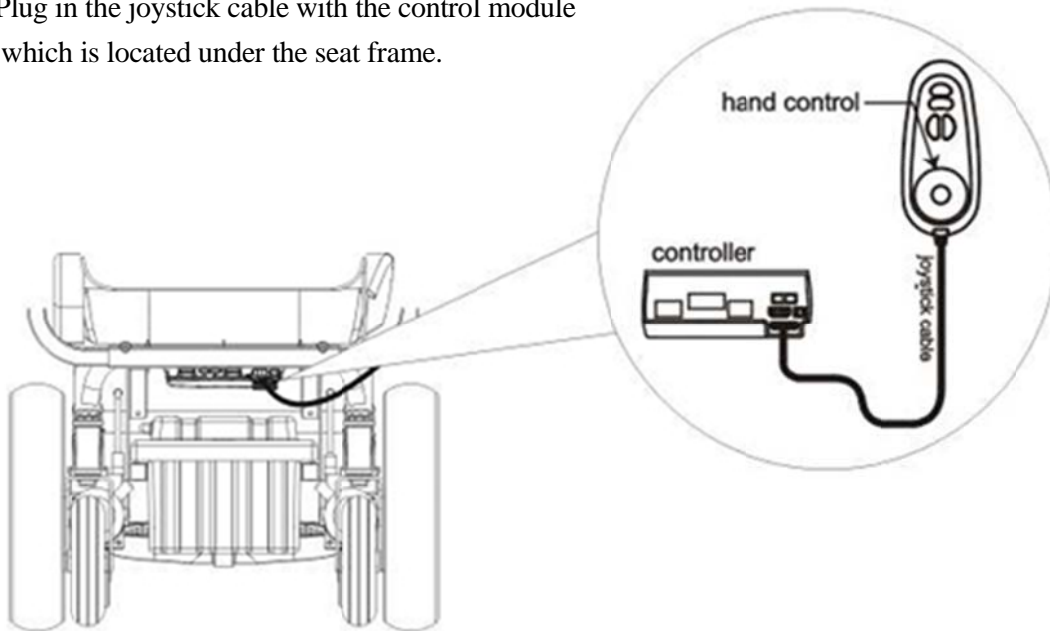
- 2** 2-1. Insert the joystick brace into the armrest adaptor and tighten up with knob.
Use 3 pieces of the cable ties to fix the joystick cable to the armrest tube.



⚠ UNPACKING & ASSEMBLY

⚠ Warning: Have two people install the seat assembly.

- 3** 3-1. Plug in the joystick cable with the control module which is located under the seat frame.

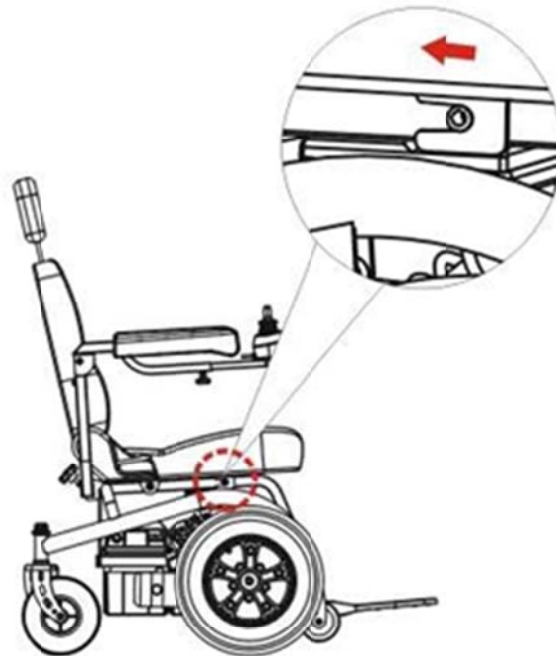


4-1. Take the seat frame out from carton. Put the seat frame onto the power base. (Fig.12-1)

- 4** 4-2. Push the seat backward and make sure the pin locks with the fixing bracket on both sides. (Fig.12-2)



(Fig.12-1)



(Fig.12-2)

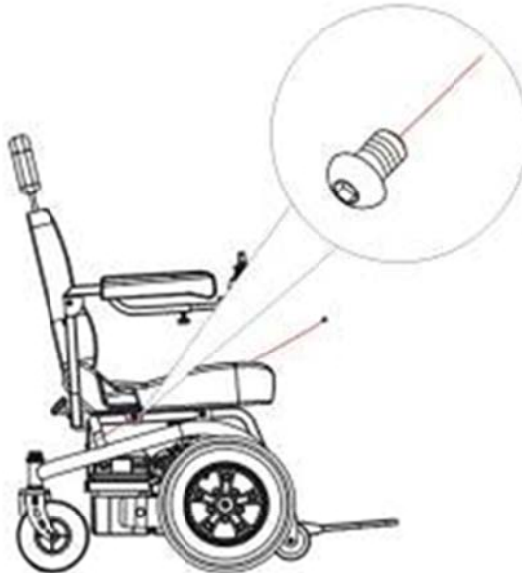
UNPACKING & ASSEMBLY

5

5-1. Use 2pcs of 15mm screws tighten the seat frame with power frame. Optional “quick release” pins may be used for faster assembly and disassembly.



15mm X 2



6

6-1. Insert the headrest braces into the adapters on seat back.

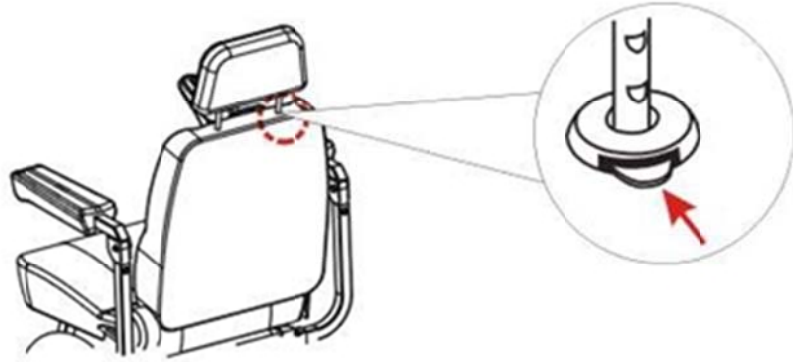


ADJUSTMENT

ADJUSTMENT:

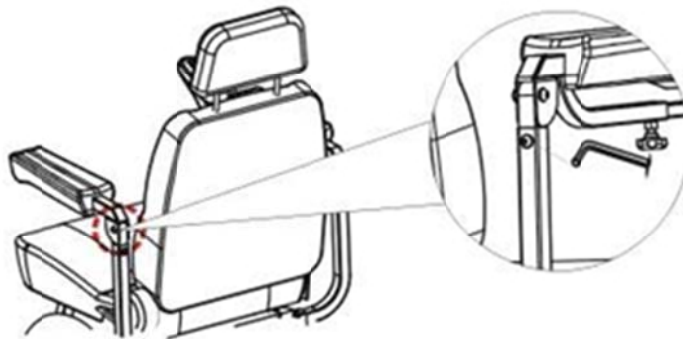
1. Headrest height adjustment:

Depress the button latch; adjust the headrest to the proper position.



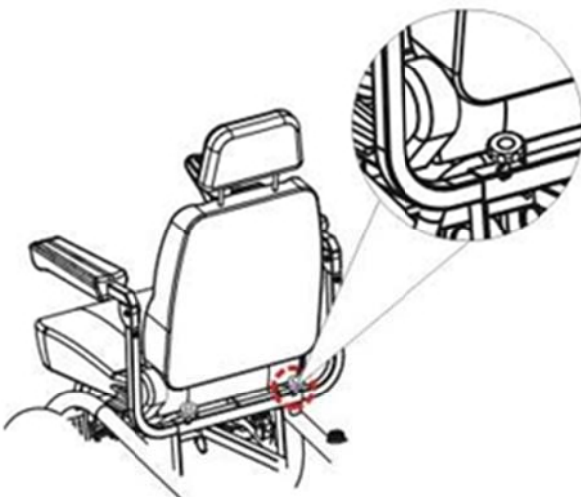
2. Armrest Height Adjustment :

Height : Use Allen Key to release the armrest screws and adjust armrest height, maximum up to 1 3/4", and then fasten the screws.



Width : Loosen the armrest knobs and adjust armrest width, and then fasten the knobs. (Fig.14-1)

Flip-Up : For use's convenience when transit, the maximum flip-up angle is 90 degree. (Fig.14-2)



(Fig.14-1)

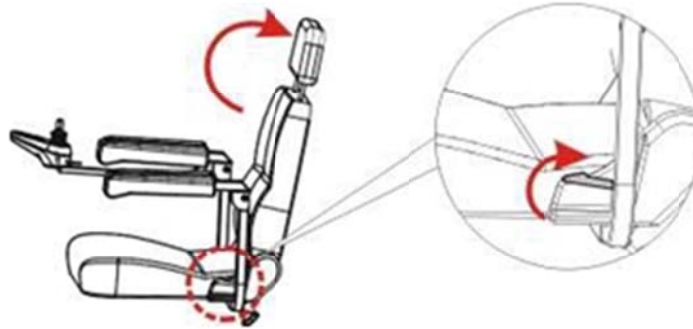


(Fig.14-2)

ADJUSTMENT

3. Back angle adjustment:

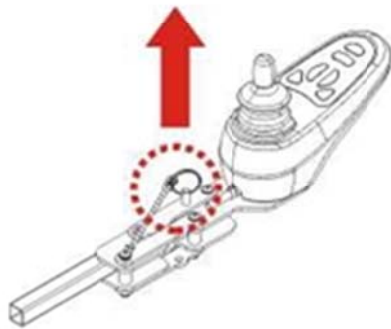
Pull up the lever at left side of seat. And adjust the back to proper position. (Range: 100°~125°)



4. Retractable Joystick: OPTIONAL

1. Pull up the pin from bracket. (Fig.15-1)

2. Swing the joystick to the bottom and insert the pin again into the bracket. (Fig.15-2)



(Fig.15-1)

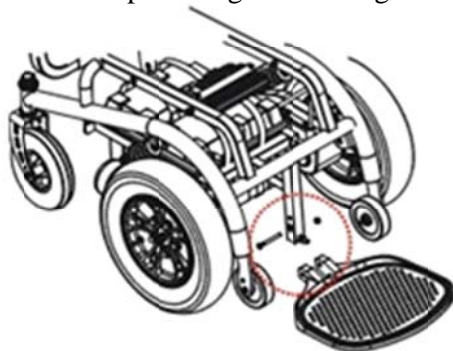


(Fig.15-2)

ADJUSTMENT

5. Footplate height adjustment:

Loosen the screw by Allen Keys, adjust the footplate height according to user's comfort.



OPERATION

1. Sitting: It is important and necessary to confirm the following instructions for user's safety.

- (1) Be sure to keep the power off (power indicate is off as well) before the user sits down.
- (2) User may enter from the front or the sides by lifting the arms out of the way.
- (3) Have user's feet rest on footplates.
- (4) Buckle up the safety belt; then fasten the belt to proper length upon the user's comfort.
- (5) Switch on the power.



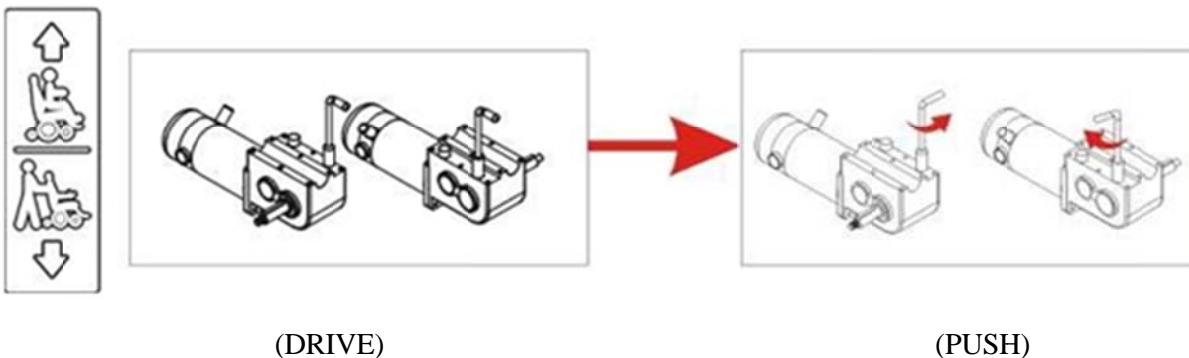
Warning: Do NOT stand on footplates when sitting down or getting up from the seat, which will cause an unbalanced condition and jeopardize the user's safety. Be sure to switch off the power and make sure the motor brake levers are in the engaged position before sitting down or getting up from the seat.

2. Standing: It is important and necessary to confirm the following instructions for user's safety:

- (1) Move the power wheelchair and user close to destination.
- (2) Be sure to keep the power off (power indicate is off as well) before the user gets up.
- (3) User gets up by armrest or other supporting method.

3. Clutch : When the power is off, turn the clutch to disengaged position by hand to push the power wheelchair.

- (1) Motor Driving: Make sure the power is off, turn the clutch lever to the engaged position, make the clutch levers heading toward front and parallel to drive wheel, the power wheelchair can be driven by motors and electromagnetic brake works when engaged.
- (2) Propelling: Make sure the power is off, turn the clutch lever to disengaged position and let the levers vertical to the drive wheels. Then it is ready to push the power wheelchair by hand.



Warning: Be sure to switch off the power before switching the clutch levers, and keep away from others and children. For user's safety, do not leave alone in the power wheelchair when the clutch levers are in the disengaged position.

OPERATION

4. Battery Charger and Battery Charging

Be sure to have the batteries completely charged before using the power wheelchair, especially for long distance driving. Check to see if the power is low according to the power indicator on controller.



Warning: Do NOT expose batteries to direct sunshine or close to thermal/heat sources.

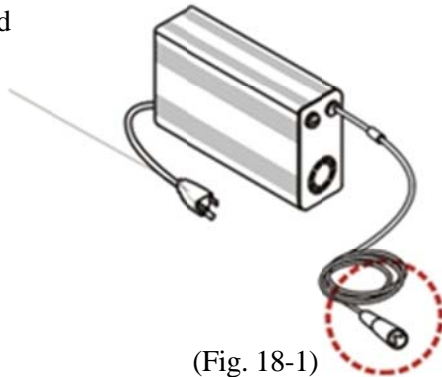
Do NOT remove the batteries of the power wheelchair before unplugging.

Do NOT switch on the power while charging the batteries. Have the battery charger stowed after charging.

Follow up these instructions to charge the battery:

- (1) Take out the battery charger; plug in the round shape connector (Fig. 18-1) to the socket on joystick (Fig. 18-2), have the cable cord connected to AC socket, and switch on the battery charger for power charging.

Power cord



(Fig. 18-1)



(Fig. 18-2)

The battery charging usually takes 8 to 10 hours in case of using original battery charger, depending on the battery age and power volume left in batteries before charging. For best power output, new batteries are recommended to be charged 24 hours at initial usage.

- (2) Switch off the battery charger; disconnect plugs/connectors from sockets.

- (3) To keep the batteries' working life as long as possible, regular battery charging everyday is recommended. Weekly battery charging is recommended for long term periods between use or storage.

- (4) Battery damage could be dangerous. Contact your dealer to change batteries. Both batteries are designed to be changed simultaneously. Changing only one battery will cause a power imbalance and consequently jeopardize the new one.

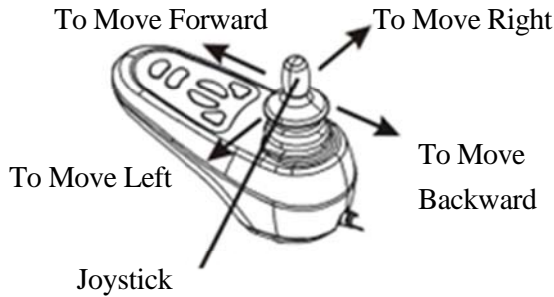


Warning: Power wheelchairs use hermetically sealed airtight lead-acid battery. For user's convenience, there is no need to add water or any liquid; therefore, DO NOT open batteries under any circumstances, otherwise batteries will absolutely be out of warranty and unable to use.

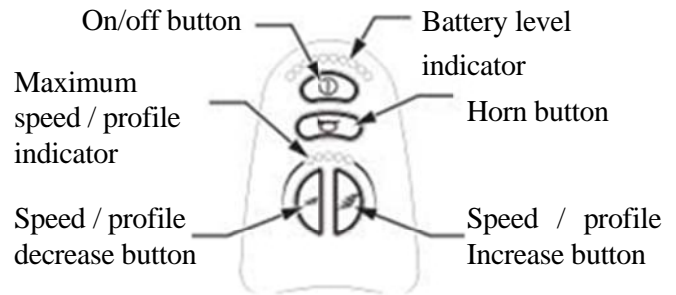
Make sure of the battery charger is the original. Contact your dealer in case of any battery questions or problems.

OPERATION

5. Controller:



Controller Description



- (1) **Power Switch:** Press the power button on joystick, both power indicator and speed indicator should be on simultaneously showing battery volume and speed status. The power wheelchair will fail to drive if you push the joystick before the power indicator flashes; return the joystick to the center position and then push it to drive after power indicator flash stops.
- (2) **Speed Check:** Check the speed indicator first: more grades means higher speed. Lower speed is highly recommended for indoor driving.
- (3) **Forwarding:** Control the drive direction by the joystick. As the user's view, push joy stick away from user to move forward; the farther the faster.
- (4) **Reversing:** Control the drive directions by the joystick. As the user's view, pull joy stick close to user to move backward; the farther the faster. However, the maximum reversing speed is a half to the maximum forwarding speed.
- (5) **Turning:** Control the drive directions by the joystick. As the user's view, push joy stick toward right hand side to turn right, and push joystick toward left hand side to turn left; the farther the faster.
- (6) **Electromagnetic Brake:** Let go of joystick back to center for stop/parking by Electromagnetic brake.



Warning: Controllers are all programmed for best performances in different circumstances by manufacturer before delivery. Be sure to contact your dealer or DRIVE MEDICAL technical center to request your unique need by re-programming if necessary. It is extremely dangerous to modify or re-program unofficially, it might cause mechanical or electronic errors and threaten the safety of the user.

(7) Climbing:

- a. Do NOT drive on any slope over 12 degree; otherwise, the wheels might consequently get off ground even though there are anti-tippers on the power wheelchair.
- b. Medium speed drive is recommended for best maneuverability, high speed makes the power wheelchair difficult to control and low speed will cause the danger of motors over heat and consequently automatic shut-down by power-currenty-overload protection of controller's self-monitoring system.
- c. Do NOT make U-turn or reversing when climbing.

(8) Descending:

- a. Do NOT drive on any slope over 12 degree; otherwise it might cause a dangerous situation.
- b. Be sure to keep half-speeded when driving down hill.
- c. Do NOT make U-turn or reversing when driving down hill. An attendant's help is required in case of reversing when down a hill.
- d. Be sure to slow down and drive straight when going down a hill.



Warning: Be sure to practice on gentle/gradual slopes before driving onto steep ascent. Do NOT drive over curbs or stairs or obstacles over 3cm without curb climbers.
Driving on slopes over 12 degree is prohibited for safety reason.

OPERATION

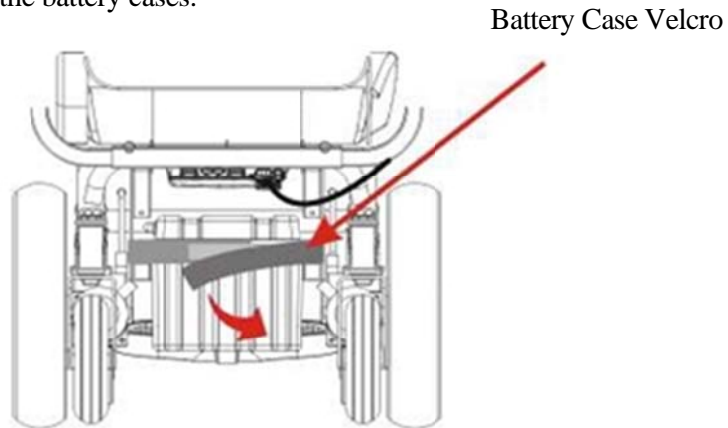


Warning: Strap the power wheelchair down firmly during transportation.
To avoid damages to the car or chair, be sure to locate this product properly.

6. Take off the battery cases:

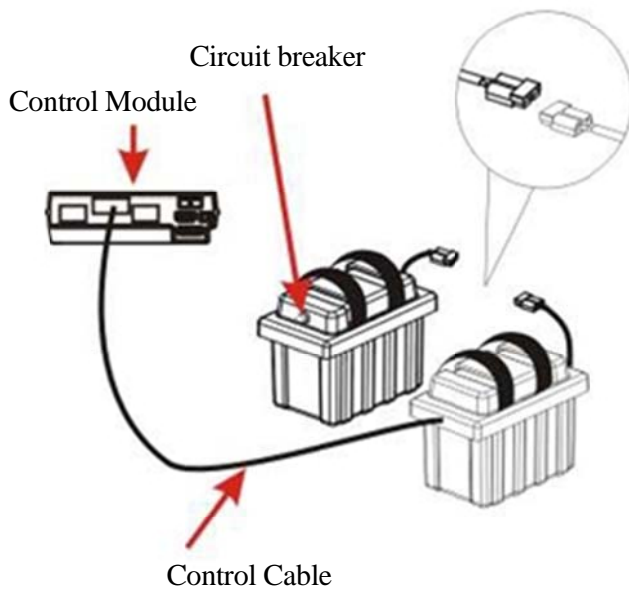
6-1. Disconnect the joystick cable & power cable from the control module.

6-2. Loosen the Velcro holding the battery cases.



6-3. Disconnect the battery cable and control cable shown in .(Fig. 20-1) 6-

4. Pull out the battery cases. (Fig.20-2)



(Fig.20-1)



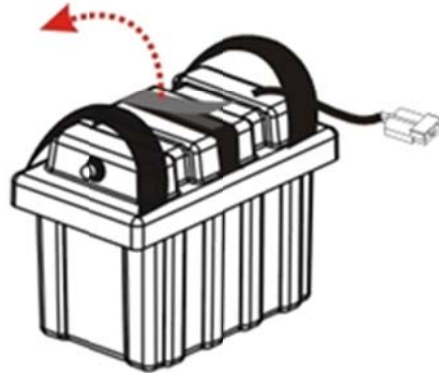
(Fig.20-2)

OPERATION

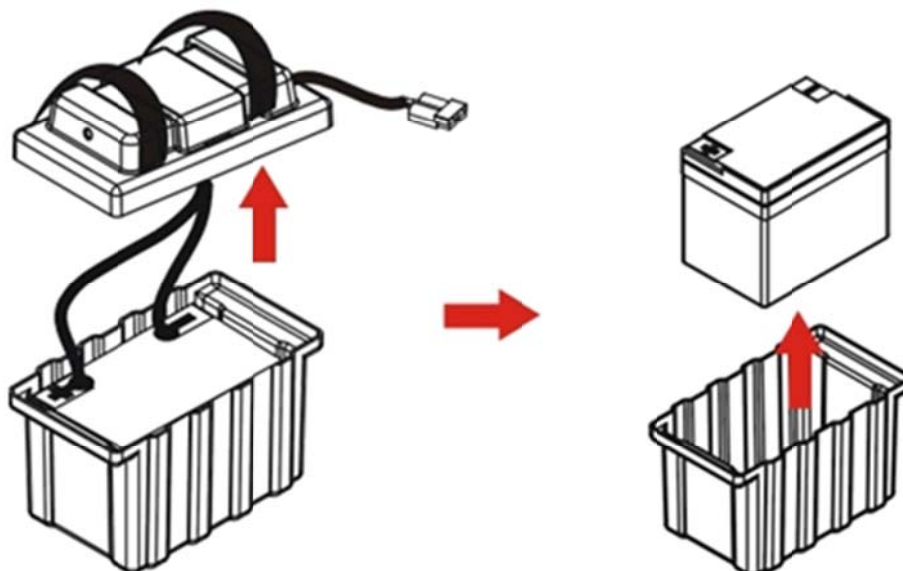


CHANGING THE BATTERY

3-1. Open the Velcro above the battery case cover.



4-1. Take off the case lid. Use the cross screw driver, loosens the screw of battery connecting wires; then take out the batteries.



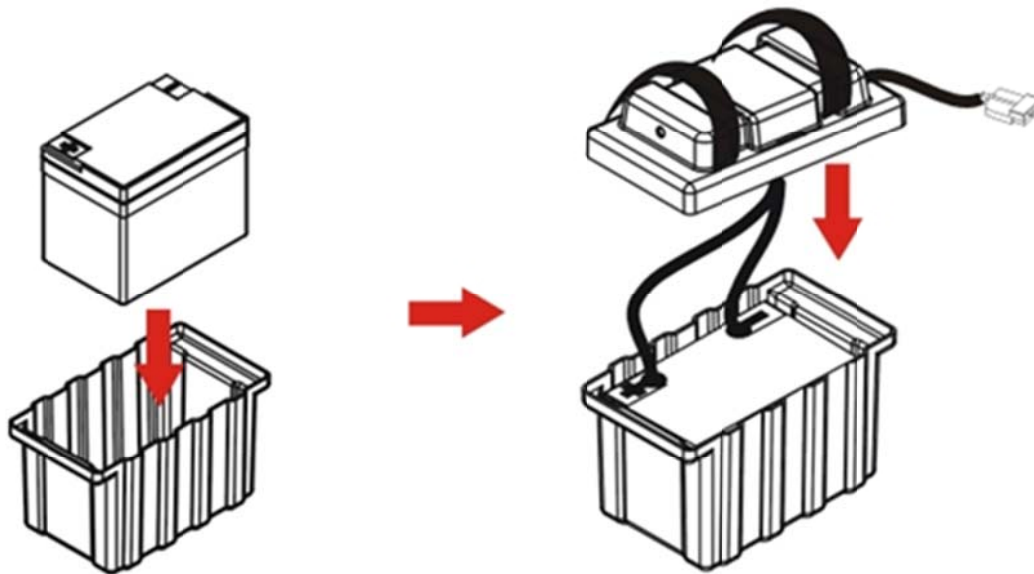
OPERATION



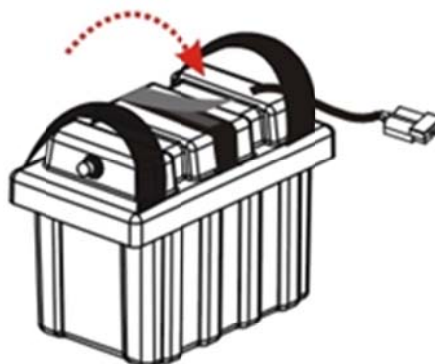
Install the battery cases: (Reverse the steps of taking off batteries)

1-1. Put the new Batteries into the battery cases. Connect the battery wires properly.

Cover the case lids.



2-1. Fasten the Velcro above the case lids.



OPERATION

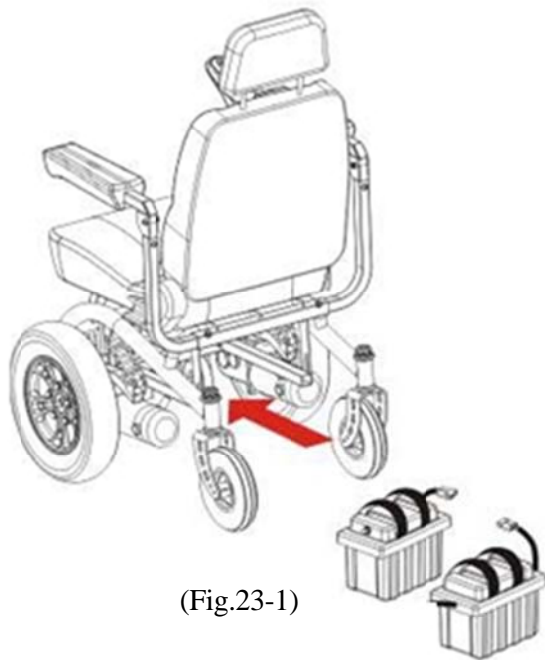


Install the battery cases: (Reverse the steps of taking off batteries)

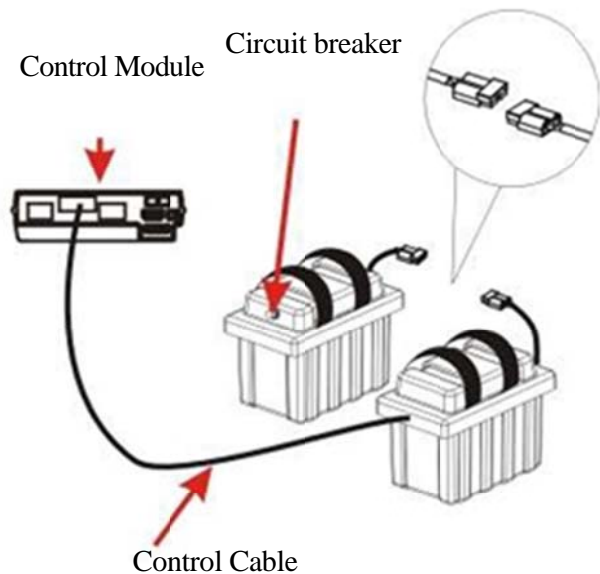
1-1. Push the batteries into the power base from rear side. (Fig.23-1)

1-2. Connect the battery cables and control cable shown in (Fig.23-2)

Note: The battery case with circuit breaker should be installed inner side of frame.

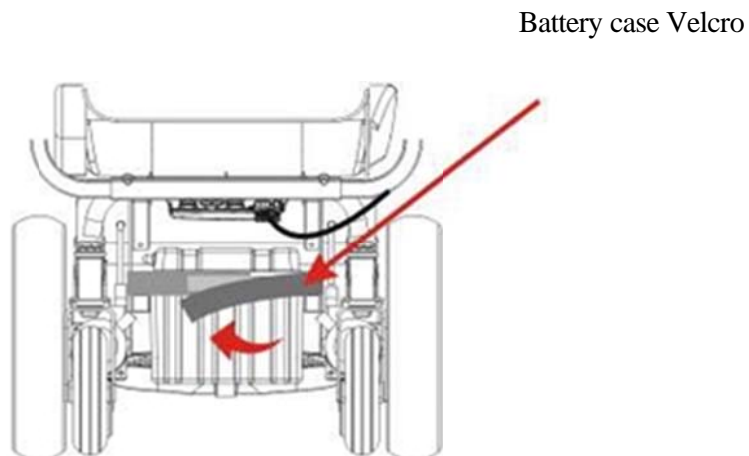


(Fig.23-1)



(Fig.23-2)

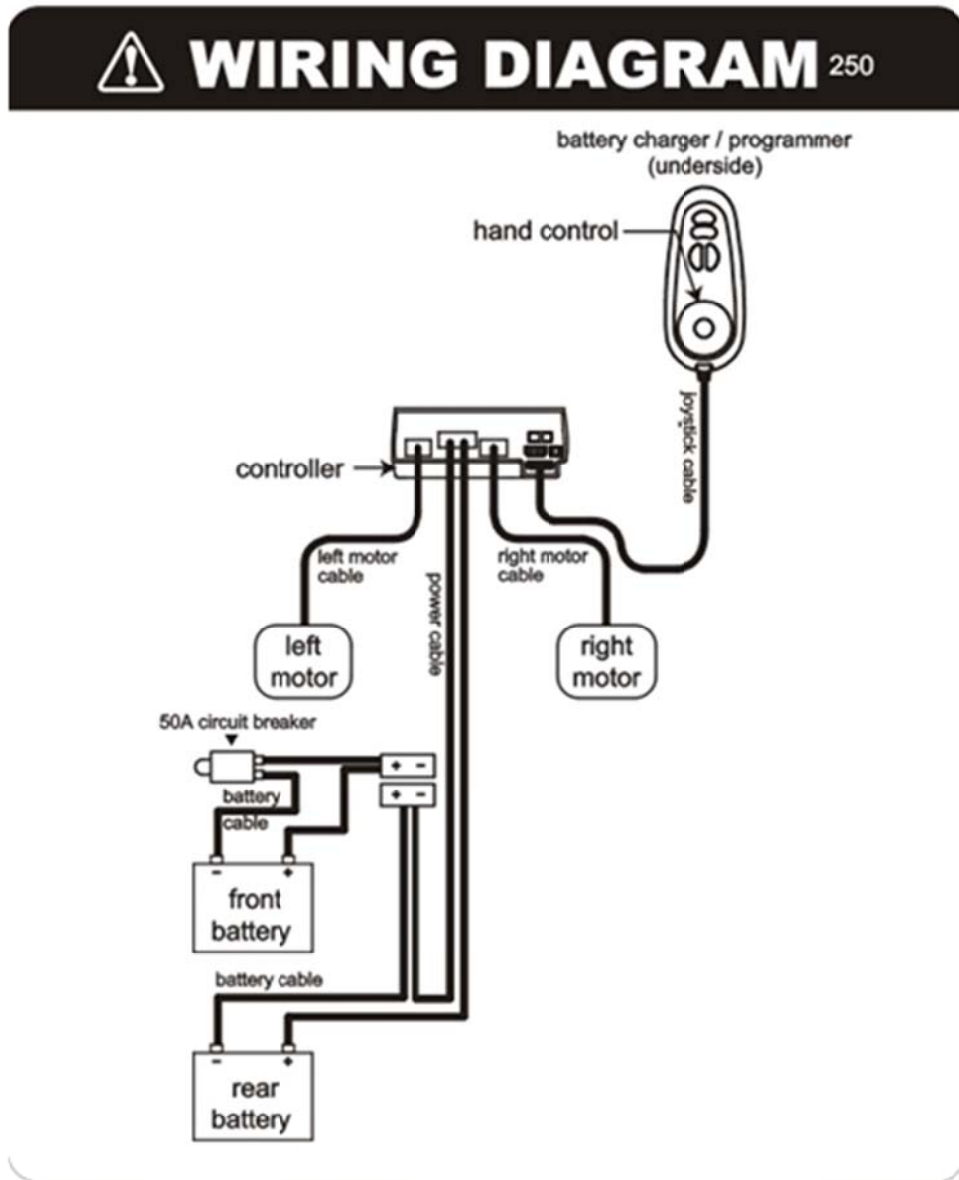
2. Fasten the battery cases by Velcro. Connect the joystick cable & power cable to the control module.



OPERATION

7. Wiring diagram:

Control system cable connections:














OPERATION

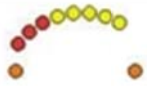



8. Flash code:

Flash codes indicate the nature of an abnormal condition directly from the controller (fault information Gauge). Without the use of any servicing tools, the condition can be simply diagnosed.

PG / VR2 controller:

| battery level indicator control system fault diagnostic guide table | SYSTEM FAULT | CHECK / ACTION |
|--|---------------------------|---|
|  1 light flashing rapidly | Low battery voltage | The battery needs charging or there is a bad connection to the batteries. Check the connections to the batteries and the controller power connector. If the connections are good, try charging the battery. |
|  2 light flashing rapidly | Left motor disconnected | The left motor has a bad connection. Ensure that the motor is connected properly and the controller connectors are secure. If problem persists, see dealer. (Check motor brushes) |
|  3 light flashing rapidly | Left motor wiring fault | The left motor has a short circuit to a battery connection. See dealer. (Check motor brushes) |
|  4 light flashing rapidly | Right motor disconnected | The right motor has a bad connection. Ensure that the motor is connected properly and the controller connectors are secure. If problem persists, see dealer. |
|  5 light flashing rapidly | Right motor wiring fault | The right motor has a short circuit to a battery connection. See dealer. |
|  6 light flashing rapidly | Inhibit active | The battery charger is preventing the controller from driving the wheelchair. Disconnect charger from wheelchair. |
|  7 light flashing rapidly | Possible joystick fault | A joystick fault is indicated. Ensure that joystick is in neutral before turning ON/OFF switch on. |
|  8 light flashing rapidly | Possible controller fault | A controller fault is indicated. Ensure that all Controller connections are secure. If problem persists, see dealer. |
|  9 light flashing rapidly | Possible park brake fault | The park brakes have a bad connection. Check the park brake & motor connections. Ensure that controller connections are secure. If problem persists, call dealer. |
|  10 light flashing rapidly | Excessive voltage | This is usually caused by a poor battery connection. Check the controller and battery connections. |
|  7 lights + S flashing rapidly | Communication fault | A communication fault is indicated. Ensure that hand control cable is securely connected and not damaged. |

OPERATION

| | |
|--|--------------------------|
|  8 lights + A flashing rapidly | An Actuator Trip |
|  Blink | Sleep Mode |
|  Charge step | Charging |
|  Ripple | Joystick Not Centralized |

Dynamic shark controller:

| Signal Status | Description | Instruction |
|-----------------------------|---|---|
| Wavy Signal | Controller locked up | Unlock. |
| Slow Flashes | Low voltage | Proceed battery charging. |
| Flash once every 2.5 second | Sleeping | Check connectors plugging or bad connection, depending on flash frequency. |
| 1 Flash | Needs Battery Charging or Connection problem | Check the connections to battery. If the connections are good, or try charging. If it still has problem, contact your dealer. |
| 2 Flash | Cable connecting problem on left hand side motor | Check the connections to the left hand side motor. If it still has problem, contact your dealer. |
| 3 Flash | Short circuit on left hand side motor | Contact your dealer. |
| 4 Flash | Cable connecting problem on right hand side motor | Check the connections to the right hand module. If it still has problem, contact your dealer. |
| 5 Flash | Short circuit on right hand side motor | Contact your dealer. |
| 6 Flash | Malfunction | Perhaps in battery charging, remove the battery charger. |
| 7 Flash | Joystick Breakdown | Make sure that the joystick is in the center position before switching on the control system. |
| 8 Flash | Controller out of order | Make sure that all connections are secure. |
| 9 Flash | Electromagnetic Brakes Problem | Make sure the control system connections are secure. |
| 10 Flash | Battery Cable connecting | Check the battery connections. |

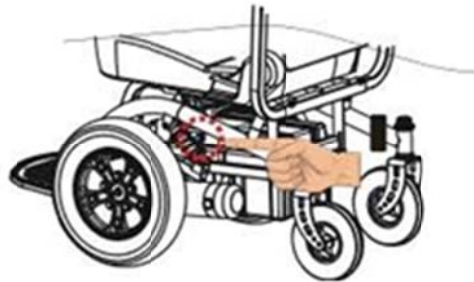
OPERATION

9. Operation

- (1) Speed Adjustment: Push the speed increase button for speeding up; and the decrease button for slowing down.
- (2) Brake: Keep the joystick in neutral position, the brake should be applied consequently; when moving, the brake will be applied automatically with a click sound when joystick is released.
- (3) Forward/Backward/Turning: The power chair moves according to the direction of joystick at user's control such as push to move forward, pull to move backward, turn right to move to right side; turn left to move left side.

10. Security Function:

- (1) The forward/backward/turn speed, acceleration and deceleration can be programmable.
- (2) Thermal overload protection.
- (3) Current overload protection.
 1. Do not load over (300lbs) to avoid over loading electric current.
 2. Over 50A current would cause the overload break.
 3. While over loading, please press the overload button under the wheelchair seat to reset the overload breaker.




- (4) The fault diagnostics of the controller.
- (5) The power-chair cannot be moved while charging the batteries.

TRANSPORTATION & STORAGE

1. Transportation:

Keep the clutch levers at disengaged position from possible sliding damage when transporting the power wheelchair. The clutch levers should be parallel to the drive wheel and the power must be switched off. Fix the wheels from moving if necessary when transportation.

 Warning: To avoid any damage to the car or chair, be sure to secure this product properly.

2. Storage:

- a. Keep the power wheelchair stored in an area of good air circulation.
- b. Keep the power wheelchair away from dampness or high humidity for the sake of the electronic devices.
- c. Disconnect the battery cables in case of long term storage.

MAINTENANCE

1. Cleaning and Check-up:

- a. Cleaning: Use soft cleansers/chemicals to clean the power wheelchair. Do NOT use caustic cleansers/chemicals. Wipe shrouds and tires with clean and soft fabrics.
- b. Battery: Regular battery charging is highly recommended to keep power output performance and save battery hours. Please refer to V.10.

2. Maintenance and Controller check:

Maintenance and Controller Check (routine, controller, signal metaphor) In case of malfunction or breakdown while in use, switch off the power immediately and check out the problem such as: completely out of power, or the power indicator on the controller is not working, or loose connectors. Contact your dealer immediately in case of failure to resume/regain power or any further problem after having connectors plugged in again.

Warning: There is self-monitoring installed in the controller to monitor motor performance, electromagnetic brakes and the controller itself, errors will be indicated by controller signals.



MAINTENANCE

a. Maintenance Check:

| Check Issue | Daily | Weekly | Monthly | Quarterly | Annually |
|--|-------|--------|---------|-----------|----------|
| Battery Charging | V | | | | |
| Pneumatic Tire Pressure (unless flat free) | | V | | | |
| Connector cables | | | V | | |
| Sliding Device | | | | V | |
| Tightness of screws and nuts | | | | V | |
| Upholsteries | | | | V | |
| Carbon Brush of motor | | | | V | |
| Back to Official Maintenance | | | | | V |

b. Controller Self-monitoring:

When the indicators of the controller blinks, it means there are something wrong with the wheelchair. This controller can automatically detect the abnormal components, such as Motors, Magnetic Brakes, Batteries, Circuits and Controller itself. Please advise your dealer the frequency of the indicators' blinks.

- c. The power chair may be unable to drive in case of a significant error.
- d. Some minor errors allow the power wheelchair to drive at low speed.
- e. The power wheelchair can return to normal usage when errors are repaired or eliminated.
- f. Some other errors may trigger automatic lock-up protection, please switch off the controller for 5 seconds and switch it on again.



Warning: The controller is NOT repairable but by technical specialists. Contact your dealer to repair your power wheelchair controller.

Tire Usage:

1. If the air pressure is insufficient, the tire will be damaged and may cause accident.
It is necessary to conduct regular checks of tire pressure and make sure it is properly filled.
(Maintain tire pressure at 60 psi)
2. Always check if the tires are cracking, deforming or other obvious corrosion.
3. To avoid damages, keep the tires away from the sidewalk edge or any obstacles on road.
4. If you feel unusual operations or abnormal noises/vibrations, park vehicle in a safe place as soon as possible, and contact your dealer or authorized shop for repairs.

WARRANTY

There is a limited lifetime warranty on your new Trident power chair. The warranty covers the power chair for parts only during this period. For more detail, please see the Warranty Conditions below.

Warranty Conditions:

Any work or replacement part installation must be carried out by an authorized Drive dealer / service agent. To apply the warranty should your power chair require attention please contact your service provider.

The warranty on your new Trident power chair is as follows:

- a) Frame: Limited Lifetime Warranty
- b) Electronics: 12 months limited warranty
- c) Battery: 6 months

Note: The warranty is not transferable

Any replaced parts will be covered by this warranty for the balance of the warranty period on the power chair. Parts replaced after the original warranty has expired will be covered by a three months warranty.

Wearable items will not generally be covered under the normal warranty period which includes but not limited to the seat assembly or cover, tires, shroud, armrests, footplates, and lights.

The above warranty conditions apply to brand new power chairs purchased at the full retail price. If you are unsure whether your power chair is covered, check with the service agent.

Under normal circumstances, no responsibility will be accepted where the power chair has failed as a direct result of:

- a) The power chair part not having been maintained in accordance with the manufacturer's recommendations.
- b) Failure to use the manufacturer's specified parts
- c) The power chair or part having been damaged due to neglect, accident or improper use
- d) The power chair or part having been altered from the manufacturer's specifications or repairs having been attempted before the service agent is notified

Please note your local service agent's contact details in the box below. In the event of your power chair requiring attention, contact them and give all relevant details so they can act quickly. The manufacturer reserves the right to alter without notices any weights, measurements or other technical data shown in this manual. All figures, measurements and capacities shown in this manual are approximate and do not constitute specifications.

DRIVE authorized Service Agent

| |
|----------|
| Name |
| Address |
| |
| |
| Tel |
| Postcode |

Free Manuals Download Website

<http://myh66.com>

<http://usermanuals.us>

<http://www.somanuals.com>

<http://www.4manuals.cc>

<http://www.manual-lib.com>

<http://www.404manual.com>

<http://www.luxmanual.com>

<http://aubethermostatmanual.com>

Golf course search by state

<http://golfingnear.com>

Email search by domain

<http://emailbydomain.com>

Auto manuals search

<http://auto.somanuals.com>

TV manuals search

<http://tv.somanuals.com>