

XPR522
XPR540



XPR SERIES

INSTALLATION / OWNER'S MANUAL
Mobile Power Amplifiers

DUAL AUDIO
LOUD & CLEAR



Preparation

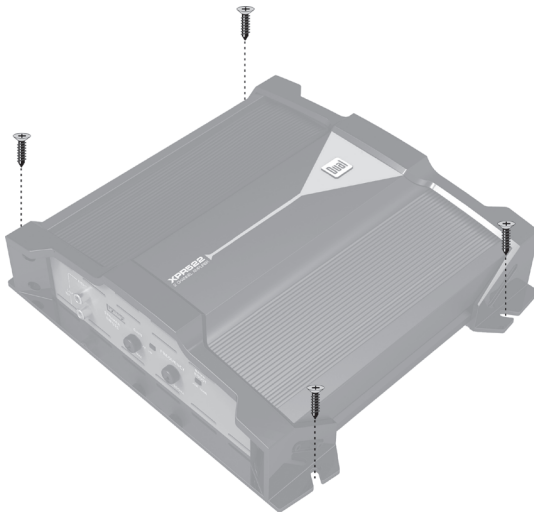
Please read entire manual before installation. Due to the technical nature of amplifiers, it is highly recommended that your DUAL amplifier is installed by a professional installer or an authorized dealer.

Before You Start

- Disconnect negative battery terminal. (consult a qualified technician for instructions)
- Avoid installing the amplifier where it would be subject to high temperatures, such as from direct sunlight, or where it would be subject to dust, dirt or excessive vibration.
- Use extreme caution when drilling holes to avoid damaging fuel lines or existing vehicle wiring.
- All amplifier installations require power, signal and speaker wires (not included).
- An amplifier installation kit (sold separately) is highly recommended to facilitate the installation. Consult your dealer for recommendations.

Mounting Location

- Choose a mounting location for the amplifier. Suggested locations include under a seat or in the trunk.
- The amplifier can be mounted horizontal (recommended) or vertical. For optimum performance, make sure to provide at least 1" of space to around all sides. Do not mount the amplifier under carpets or where airflow is restricted.
- Do not install the amplifier where it may be exposed to moisture.
- The optimum mounting location varies between vehicles. Remember to test all amplifier functions before completing the final mounting procedure.



TYPICAL MOUNTING METHOD

Connection Descriptions

Note: Be sure to follow specific instructions included with your amplifier installation kit (not included with this amplifier). The information below should be used as a general guideline only.

Power Wire (BAT+)

- Disconnect negative battery terminal before proceeding. Consult a qualified technician for instructions if you are unsure.
- Plan wire routing before cutting any wires to length. Begin by routing the power +12V wire from the battery to the amplifier location. Use a grommet when running wires through the firewall or metal openings. Avoid running the power wire near existing vehicle wiring to prevent induced noise from entering the audio system.
- Use extreme caution when drilling holes to avoid damaging fuel lines or existing vehicle wiring.
- The +12V wire **MUST** be fused within 18" of the battery for protection of the vehicle's electrical system.

Ground Wire (GND)

- The amplifier ground wire should be as short as possible. Choose a clean unpainted section of metal or the vehicle chassis when attaching the ground connection. Be sure to clean the area of any dirt or grease.

Remote Turn-on Wire (REM)

- The remote turn-on wire connects to the head unit's amplifier turn-on lead or power antenna output.

Speaker Wires

- Choose adequate gauge speaker wire depending on your exact amplifier/speaker combination. Be sure to observe polarity when connecting.
- Do not ground any speaker wires or connect any speaker wires together.

Input Signal

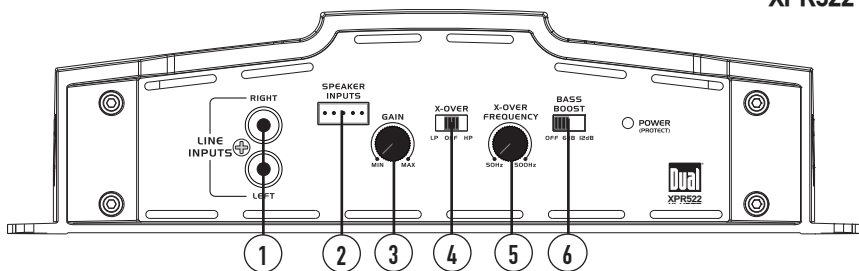
- The amplifier's input signal connects to the head unit's low level (RCA) or high level (speaker wire) outputs.
- Low level input signal deliver the best performance. If unavailable, use the high level inputs - when interfacing with factory head unit for instance.

CAUTION

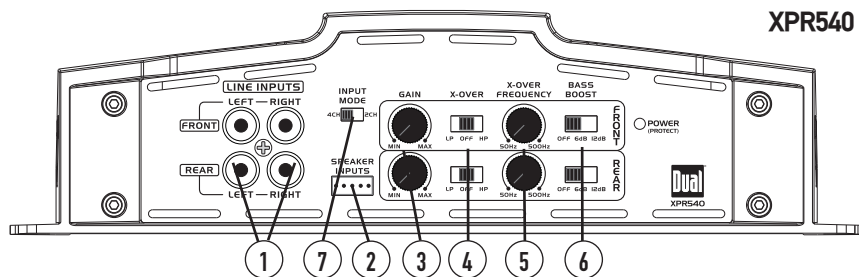
- Do not use both low and high level inputs at the same time - connect only one or the other.
- Never run any wires underneath or outside the vehicle.

Audio Inputs and Controls

XPR522

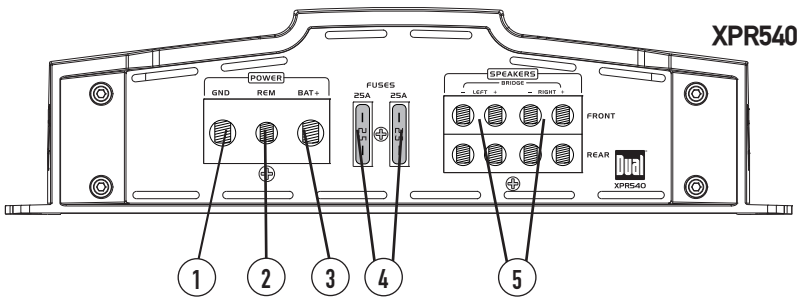
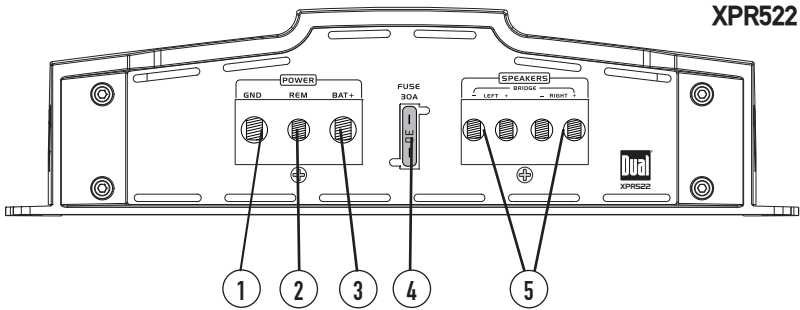


XPR540



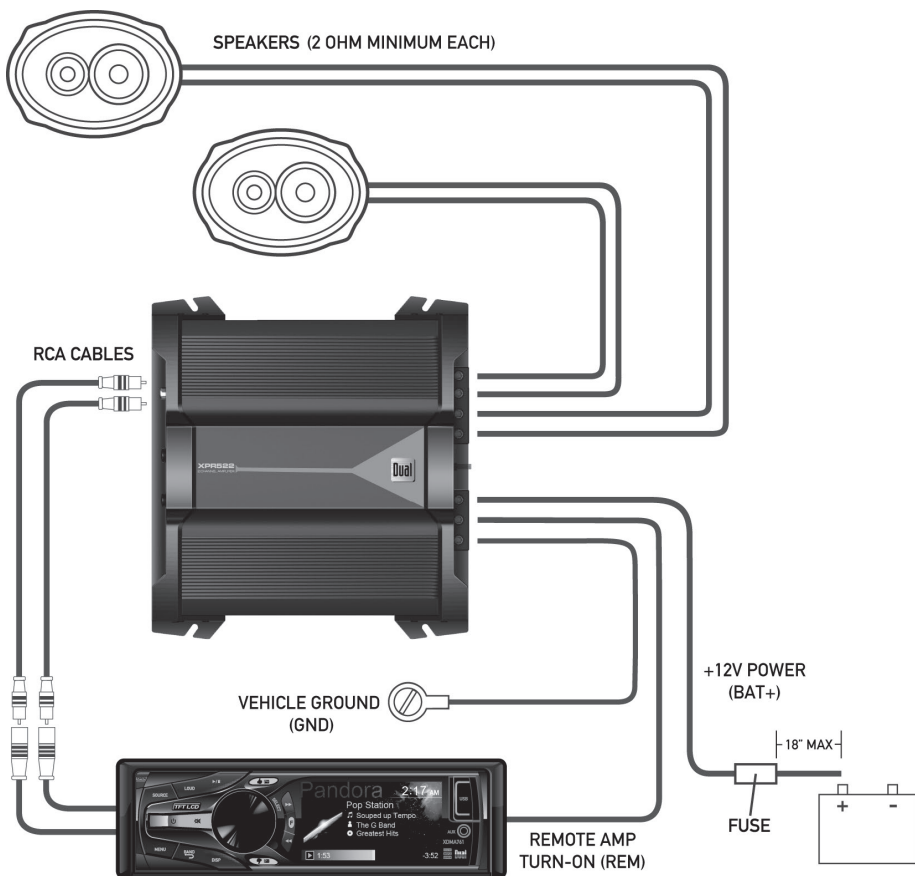
- | | | | |
|---|-----------------|---|-----------------------------|
| 1 | RCA Line Inputs | 5 | Crossover Frequency Control |
| 2 | Speaker Inputs | 6 | Bass Boost |
| 3 | Gain | 7 | Input Mode |
| 4 | Crossover Mode | | |

Power and Speaker Connections



- | | |
|-----------------------------|-------------------------|
| ① Ground Connection | ④ Fuse(s) |
| ② Remote Connection | ⑤ Speaker Connection(s) |
| ③ +12VDC Battery Connection | |

Typical Wire Routing



Main Power Connections

Connect +12V, GND and REM wires accordingly. A suitable fuse **MUST** be installed on the +12V lead within 18" of the battery for protection of the vehicle's electrical system.

Fuse Rating

When replacing fuses, make sure new fuse is the correct type and amperage. Using an incorrect fuse could damage the amplifier.

XPR522 30 amp ATO x 1
XPR540 25 amp ATO x 2

Power/Ground Wire Size

For optimum performance, use only the wire size listed below or larger. Make sure to use the same size power and ground wire.

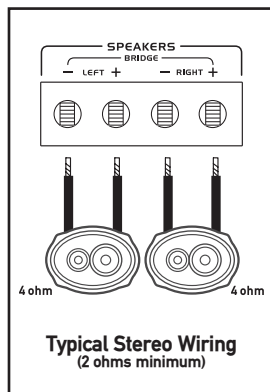
XPR522 10 awg
XPR540 8 awg

Amplifier Connections

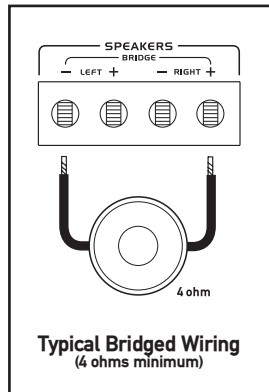
Speaker Connections

Connect speaker wires observing polarity. The minimum impedance load for the XPR522 or XPR540 is 2 ohms stereo and 4 ohms bridged. Use of loads lower than these is not recommended and may cause amplifier damage. The XPR522 and XPR540 can be wired for stereo, bridged or stereo/bridged simultaneous operation.

2 Speakers (stereo)



Subwoofer (mono)

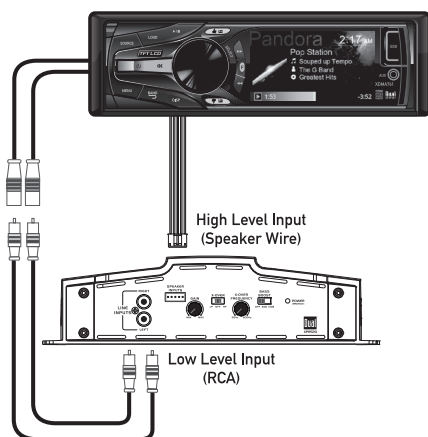


XPR522 speaker connections shown

Input Signal Connections

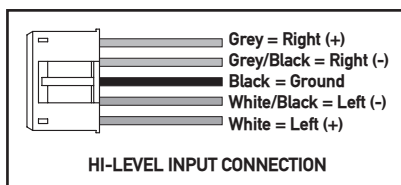
Low Level Input (RCA)

Low level (RCA) input signal is preferred for best performance. Typical trunk-mount amplifier installations require a 17-20 foot RCA cable. Most trucks and under-seat applications require a 6-9 foot RCA cable. Using twisted pair construction RCA cables will minimize noise.



High Level Input (Speaker Wire)

High level inputs should only be used when RCA outputs are not available from the head unit. Connect the head unit speaker outputs to the high level input connector as shown below. The black wire (signal reference ground) may or may not require a connection to chassis ground - depending on your particular installation.



CAUTION

Do not use both low and high level inputs at the same time - connect only one or the other.

Configuration/Setup

Input level Control	<p>The input level control (gain) is used to obtain the best possible match between the head unit audio output and the amplifier input.</p> <ul style="list-style-type: none">• Begin by turning the input level control fully counterclockwise.• Next, turn up the head unit volume control around 3/4 of the way up.• Adjust the input level control clockwise until audible distortion is heard, then slightly counterclockwise to provide the best match.• Repeat for all input level controls.
Input Mode Switch (XPR540)	<p>Select 2 CH mode if the head unit only has 1 pair of RCA outputs. Plug the RCA's from the head unit into either the front or rear channel. All 4 amplifier inputs will receive a signal.</p> <p>Note: There is no fader function when using 2 CH mode.</p> <p>Select 4 CH mode if the head unit has 2 pairs of RCA outputs. Plug the RCA's from the head unit into either the front or rear channel.</p>
Crossover Mode	<p>The crossover is used to filter out frequencies above or below a certain point. Choose LPF when using the amplifier with subwoofers, HPF when using with midrange/tweeter combinations and OFF when using with coaxial-type speakers.</p> <p>Note: Choose OFF when using the amplifier in stereo/bridged simultaneous mode. In this mode, passive crossovers are required. Failure to use the correct passive components may damage the amplifier and/or speakers. Consult a qualified professional for recommendations.</p>
Crossover Frequency Control	<p>This control allows precise adjustment of the crossover frequency.</p>
Bass Boost	<p>This control provides additional boost @ 45Hz when used with subwoofers. Adjust this control with caution - as improper use can damage speakers!</p>
LED Indicator	<p>The LED indicator illuminates blue during normal operation (POWER) and red when the amplifier detects a fault (PROTECT).</p>

Limited One-Year Warranty

This warranty gives you specific legal rights. You may also have other rights which vary from state to state.

Dual Electronics Corp. warrants this product to the original purchaser to be free from defects in material and workmanship for a period of one year from the date of the original purchase.

Dual Electronics Corp. agrees, at our option, during the warranty period, to repair any defect in material or workmanship or to furnish an equal new, renewed or comparable product (whichever is deemed necessary) in exchange without charges, subject to verification of the defect or malfunction and proof of the date of purchase. Subsequent replacement products are warranted for the balance of the original warranty period.

Who is covered? This warranty is extended to the original retail purchaser for products purchased from an authorized Dual dealer and used in the U.S.A.

What is covered? This warranty covers all defects in material and workmanship in this product. The following are not covered: software, installation/removal costs, damage resulting from accident, misuse, abuse, neglect, product modification, improper installation, incorrect line voltage, unauthorized repair or failure to follow instructions supplied with the product, or damage occurring during return shipment of the product. Specific license conditions and copyright notices for the software can be found via www.dualav.com.

What to do?

1. Before you call for service, check the troubleshooting guide in your owner's manual. A slight adjustment of any custom controls may save you a service call.
2. If you require service during the warranty period, you must carefully pack the product (preferably in the original package) and ship it by prepaid transportation with a copy of the original receipt from the retailer to an authorized service center.
3. Please describe your problem in writing and include your name, a return UPS shipping address (P.O. Box not acceptable), and a daytime phone number with your shipment.
4. For more information and for the location of the nearest authorized service center please contact us by one of the following methods:
 - Call us toll-free at 1-866-382-5476
 - E-mail us at cs@dualav.com

Exclusion of Certain Damages: This warranty is exclusive and in lieu of any and all other warranties, expressed or implied, including without limitation the implied warranties of merchantability and fitness for a particular purpose and any obligation, liability, right, claim or remedy in contract or tort, whether or not arising from the company's negligence, actual or imputed. No person or representative is authorized to assume for the company any other liability in connection with the sale of this product. In no event shall the company be liable for indirect, incidental or consequential damages.

Specifications

XPR522

Power Output:

150 Watts x 2 channels @ 4 ohms

300 Watts x 2 channels @ 2 ohms

600 Watts x 1 channel @ 4 ohms (bridged)

Peak Music Power Output: 600 Watts @ 4 ohms

Signal to noise ratio: 75dBA (reference: 1 watt into 4 ohms)

Frequency response: 20Hz ~ 20kHz

Amplifier dimensions: 2.76" x 9.09" x 10.55"

Typical installation dimensions: 3.75" (D) x 10.25" (W) x 11.50" (H)

XPR540

Power Output:

150 Watts x 4 channels @ 4 ohms

300 Watts x 4 channels @ 2 ohms

600 Watts x 2 channels @ 4 ohms (bridged)

Peak Music Power Output: 1200 Watts @ 4 ohms

Signal to noise ratio: 75dBA (reference: 1 watt into 4 ohms)

Frequency response: 20Hz ~ 20kHz

Amplifier dimensions: 2.76" x 13.82" x 10.55"

Typical installation dimensions: 3.75" (D) x 15" (W) x 11.50" (H)

Troubleshooting

Problem	Cause	Action
Unit will not turn on (no power LED indicator)	+12V wire not connected or incorrect voltage REM wire not connected or incorrect voltage	Check connections for proper voltage (11~16VDC)
	GND wire not connected	Check connection to ground
	Fuse(s) blown	Replace fuse(s)
Unit has power - LED is blue (but no sound)	Speaker wires not connected	Check connections at speakers
	Volume turned all the way down	Increase volume level at head unit
	One or more speaker wires touching each other or touching chassis ground	Insulate all bare speaker wires from each other and chassis ground
	Speaker(s) defective or damaged	Check/replace speaker(s)
	Input signal not connected	Check high or low level inputs for proper connection
Unit blows fuse(s)	Incorrect fuse rating	Use fuse(s) with correct rating
	+12V wire touching chassis ground	Check for pinched wire
	Speaker(s) defective or damaged	Check/replace speaker(s)
Engine noise	Bad ground connection	Make sure amplifier is grounded to clean bare metal
	Signal ground loop or RFI (radio frequency interference)	Re-route RCA cables from existing high current wiring
LED illuminates red (protect mode)	One or more speaker wires touching each other or touching chassis ground	Insulate all bare speaker wires from each other and chassis ground
	Speaker(s) defective or damaged internally (shorted)	Check/replace speaker(s)
	Speaker load less than 2 ohms (stereo) Speaker load less than 4 ohms (bridged)	Adjust speaker load - amplifier will not operate at less than 4 ohms when bridged
Distorted audio output	Incorrect input signal type or input level too high	Check connections and reduce/adjust input level
Low audio output	Incorrect input signal type or input level too low	Check connections and increase/adjust input level
Weak bass	Speaker(s) are wired out of phase	Check (+) and (-) speaker connections (Observe correct polarity)



Dual Electronics Corp.
Toll Free: 1-866-382-5476

www.dualav.com
©2013 Dual Electronics Corp.
NSA0513-V01

Free Manuals Download Website

<http://myh66.com>

<http://usermanuals.us>

<http://www.somanuals.com>

<http://www.4manuals.cc>

<http://www.manual-lib.com>

<http://www.404manual.com>

<http://www.luxmanual.com>

<http://aubethermostatmanual.com>

Golf course search by state

<http://golfingnear.com>

Email search by domain

<http://emailbydomain.com>

Auto manuals search

<http://auto.somanuals.com>

TV manuals search

<http://tv.somanuals.com>