

3400 & 5400

GUÍA DEL PROPIETARIO DEL ASADOR DE GAS LICUADO DE PROPANO - PG 27
GUIDE DE L'UTILISATEUR DU GRILL À GAZ PL - PG 44

ASSEMBLY, ENSAMBLAJE, ASSEMBLAGE - PG 3

#20208569

Customer Service: 1-800-382-2637

**YOU MUST READ THIS OWNER'S GUIDE
BEFORE OPERATING YOUR GAS GRILL**

NOTICE TO INSTALLER: These instructions must be left with the owner and the owner should keep them for future use.

⚠ DANGER

If you smell gas:

1. Shut off gas to the appliance.
2. Extinguish any open flames.
3. Open lid.
4. If odor continues, keep away from the appliance and immediately call your gas supplier or your fire department.

Leaking gas may cause a fire or explosion which can cause serious bodily injury or death, or damage to property.

**THIS GAS APPLIANCE IS DESIGNED FOR
OUTDOOR USE ONLY.**

⚠ WARNING: Do not try to light this appliance without reading the "Lighting Instructions" section of this manual.

⚠ WARNING:

1. Do not store or use gasoline or other flammable liquids or vapors in the vicinity of this or any other appliance.
2. An LP cylinder not connected for use shall not be stored in the vicinity of this or any other appliance.

⚠ ATTENTION: This product has been safety tested and is only certified for use in a specific country. Refer to country designation located on outer carton.

These parts may be gas carrying or gas burning components. Please contact a Ducane Customer Service Representative in your area for genuine Ducane replacement part(s) information by calling 1-800-382-2637.

⚠ WARNING: Do not attempt to make any repair to gas carrying or gas burning components without contacting Ducane. Your actions, if you fail to follow this product Warning, may cause a fire or an explosion resulting in serious personal injury or death and damage to property.

⚠ WARNING: Follow all leak-check procedures carefully in this manual prior to barbecue operation. Do this even if the barbecue was dealer-assembled.

FOR HOUSEHOLD USE ONLY

SAVE THESE INSTRUCTIONS FOR
FUTURE REFERENCE



DANGERS AND WARNINGS

⚠ DANGER

Failure to follow the Dangers, Warnings and Cautions contained in this Owner's Manual may result in serious bodily injury or death, or in a fire or an explosion causing damage to property.

⚠ WARNING

- ⚠ Do not lift the barbecue using the control panel as a handle. Lifting by the control panel can damage gas handling and electrical components. Damage to gas handling and electrical components can result in serious bodily injury or death and damage to property.
- ⚠ Do not store a spare or disconnected liquid propane cylinder under or near this barbecue.
- ⚠ Improper assembly may be dangerous. Please carefully follow the assembly instructions in this manual
- ⚠ After a period of storage, and/or non-use, the Ducane® gas barbecue should be checked for gas leaks and burner obstructions before use. See instructions in this manual for correct procedures.
- ⚠ Do not operate the Ducane® gas barbecue if there is a gas leak present.
- ⚠ Do not use a flame to check for gas leaks.
- ⚠ Combustible materials should never be within 24 inches of the top, bottom, back or sides of your Ducane® gas barbecue.
- ⚠ Do not put a barbecue cover or anything flammable on, or in the storage area under the barbecue.
- ⚠ Your Ducane® gas barbecue should never be used by children. Accessible parts of the barbecue may be very hot. Keep young children away while it is in use.
- ⚠ You should exercise reasonable care when operating your Ducane® gas barbecue. It will be hot during cooking or cleaning and should never be left unattended or moved while in operation.
- ⚠ Should the burners go out while in operation, turn all gas valves off. Open the lid and wait five minutes before attempting to relight using the lighting instructions.
- ⚠ Do not use charcoal or lava rock in your Ducane® gas barbecue.
- ⚠ Never lean over open grill or place hands or fingers on the front edge of the cooking box.
- ⚠ Should a grease fire occur, turn off all burners and leave lid closed until fire is out.
- ⚠ Do not enlarge valve orifices or burner ports when cleaning the valves or burners.
- ⚠ The Ducane® gas barbecue should be thoroughly cleaned on a regular basis.
- ⚠ Liquid propane gas is not natural gas. The conversion or attempted use of natural gas in a liquid propane unit or liquid propane gas in a natural gas unit is dangerous and will void your warranty.
- ⚠ Do not attempt to disconnect any gas fitting while your barbecue is in operation.
- ⚠ Use heat-resistant barbecue mitts or gloves when operating barbecue.
- ⚠ Keep any electrical supply cord and the fuel supply hose away from any heated surfaces.
- ⚠ Combustion byproducts produced when using this product contain chemicals known to the state of California to cause cancer, birth defects, or other reproductive harm.
- ⚠ Do not use this barbecue unless all parts are in place. The unit must be properly assembled according to the instructions outlined in the "Assembly Guide".
- ⚠ Remove all packing material before use.
- ⚠ Do not build this model of grill in any built-in or slide in construction. Ignoring this Warning could cause a fire or an explosion that can damage property and cause serious bodily injury or death.
- ⚠ Proposition 65 Warning: Handling the brass material on this product exposes you to lead, a chemical known to the state of California to cause cancer, birth defects or other reproductive harm.
(Wash hands after handling this product.)

LIQUID PROPANE GAS UNITS ONLY:

- ⚠ Use the regulator that is supplied with your Ducane® gas barbecue.
- ⚠ Do not attempt to disconnect the gas regulator or any gas fitting while your barbecue is in operation.
- ⚠ A dented or rusty liquid propane cylinder may be hazardous and should be checked by your liquid propane supplier. Do not use a liquid propane cylinder with a damaged valve.
- ⚠ Although your liquid propane cylinder may appear to be empty, gas may still be present, and the cylinder should be transported and stored accordingly.
- ⚠ If you see, smell or hear the hiss of escaping gas from the liquid propane cylinder:
 1. Move away from liquid propane cylinder.
 2. Do not attempt to correct the problem yourself.
 3. Call your fire department.

ASSEMBLY, ENSAMBLAJE, ASSEMBLAGE

⚠ **CAUTION:** Although we make every effort to ensure that the assembly process is as easy and as safe as possible, it is inherent with fabricated steel parts that corners and edges can cause cuts if improperly handled during assembly procedures. Be careful while handling any parts during assembly. It is strongly recommended that hands be protected with a pair of work gloves.

⚠ **WARNING:** Care must be taken to ensure that this grill is assembled according to these instructions. Failure to assemble the grill properly could create a fire hazard or cause burns or other bodily harm.

⚠ **WARNING:** Do not lift the barbecue using the control panel as a handle. Lifting by the control panel can damage gas handling and electrical components. Damage to gas handling and electrical components can result in serious bodily injury or death and damage to property.

⚠ **PRECAUCIÓN:** Aunque hacemos todo lo posible para que el proceso de ensamblaje sea tan fácil y seguro, es imposible evitar que, con las partes fabricadas de acero, las esquinas y los bordes causen cortes si no son usados apropiadamente durante el proceso de ensamblaje. **ES MUY RECOMENDABLE QUE LAS MANOS SEAN PROTEGIDAS POR GUANTES DE TRABAJO.**

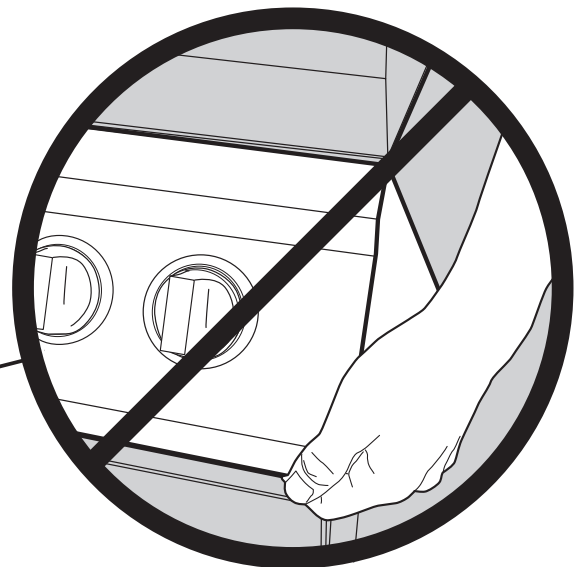
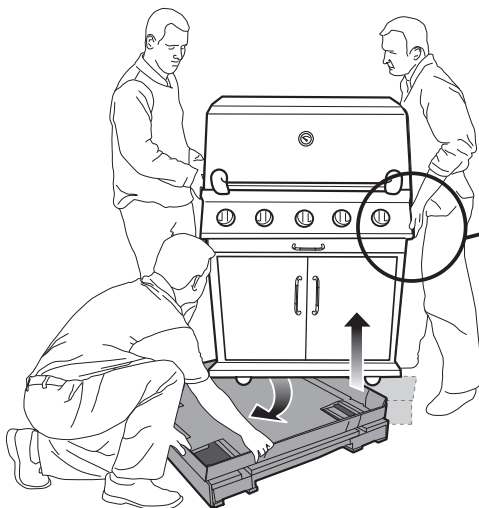
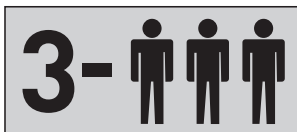
⚠ **ADVERTENCIA:** Debe tener mucho cuidado para asegurar que esta parrilla sea ensamblada de acuerdo a las instrucciones. No cumplir con el ensamblaje apropiado de la parrilla puede causar un peligro o quemaduras u otro tipo de lesiones al cuerpo.

⚠ **ADVERTENCIA:** No levante la barbacoa utilizando el panel de control como asa. El hacerlo pudiera dañar los componentes eléctricos y de manejo del gas. Daños a los componentes eléctricos y de manejo del gas pudieran resultar en lesiones corporales graves e incluso la muerte, además de daños a la propiedad.

⚠ **ATTENTION:** Bien que nous faisons tous les efforts possibles pour s'assurer que le processus d'assemblage soit aussi facile et sécuritaire que possible, il est inhérent que la fabrication de pièces métalliques laissent des coins et des bords tranchants qui puissent causer des blessures lors de la manipulation incorrecte pendant les procédures d'assemblage. Soyez prudent lors de la manipulation de toute pièce durant l'assemblage. **IL EST FORTEMENT RECOMMANDÉ DE PORTER DES GANTS POUR PROTÉGER VOS MAINS.**

⚠ **AVERTISSEMENT:** Soyez attentif pour vous assurer que le gril est assemblé selon ces consignes. L'omission d'assembler ce gril correctement pourrait poser un danger ou causer des brûlures ou tout autre blessure corporelle.

⚠ **AVERTISSEMENT:** N'utilisez pas le panneau de contrôle comme poignée pour lever le barbecue. Le fait de lever par le panneau de contrôle peut endommager les pièces liées au gaz et à l'électricité. Tout dommage aux pièces liées au gaz et à l'électricité peut provoquer des blessures graves ou mortelles et des dégâts matériels.

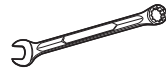
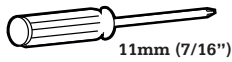


ASSEMBLY, ENSAMBLAJE, ASSEMBLAGE

TOOLS NEEDED:

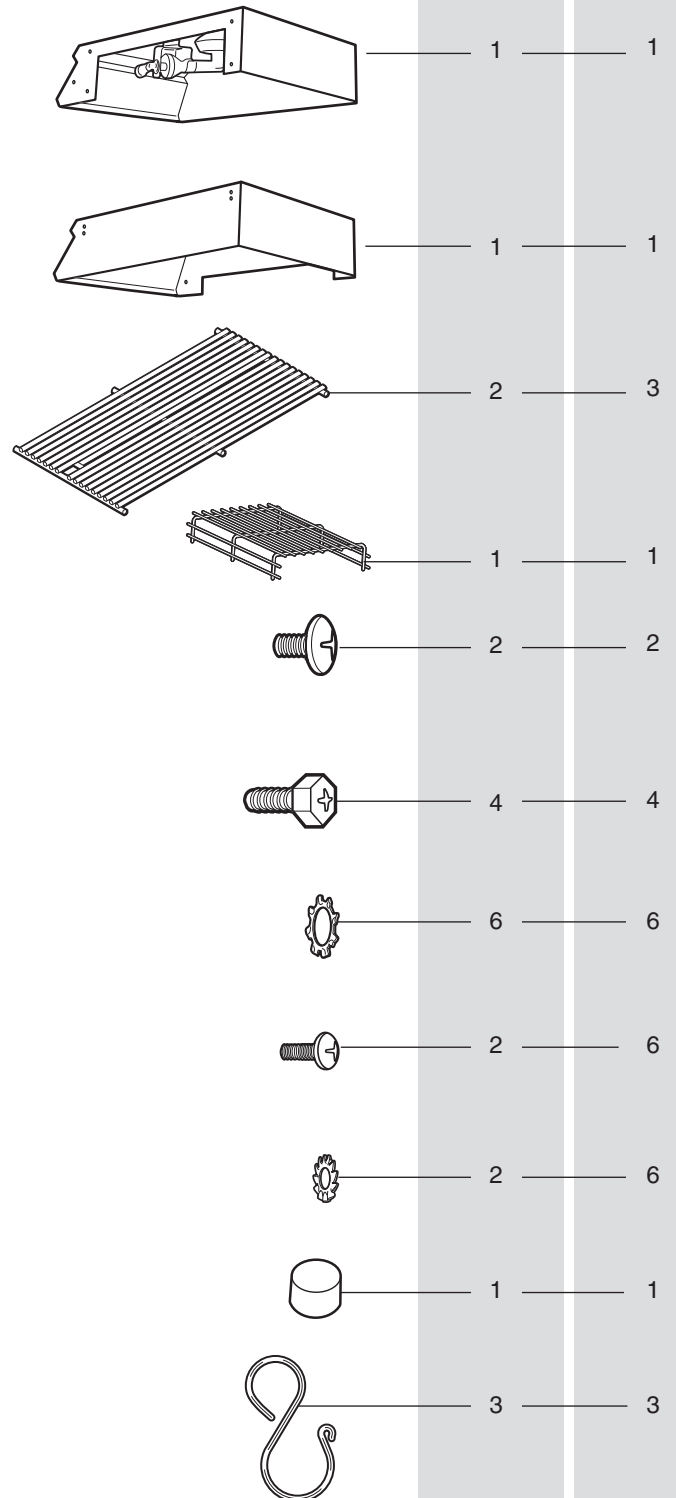
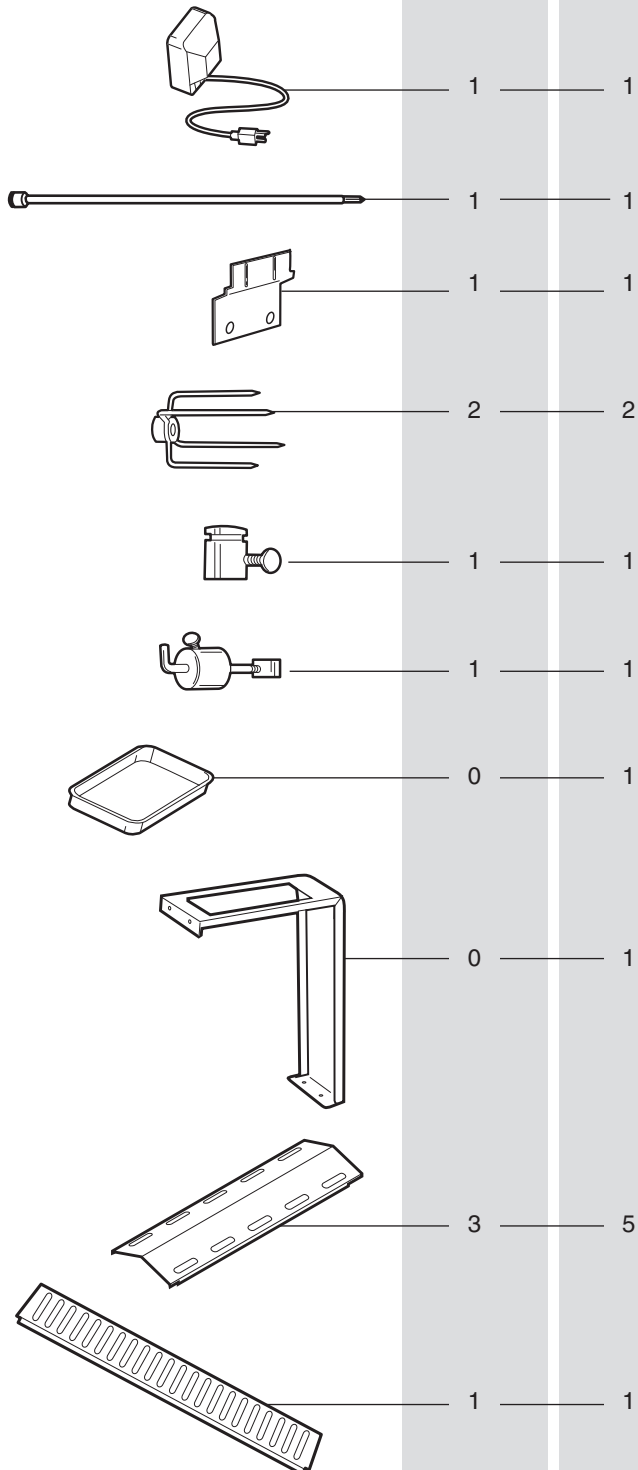
HERRAMIENTAS REQUERIDAS:

OUTILS NECESSAIRES:

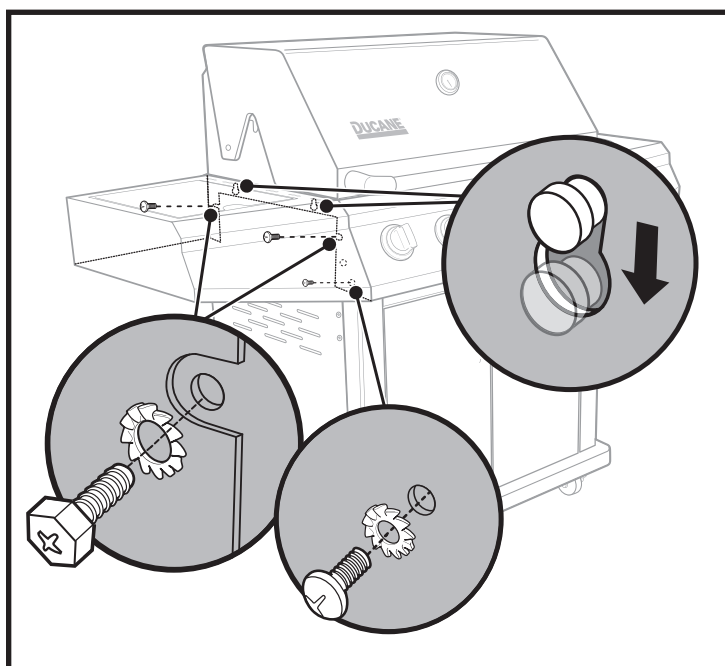
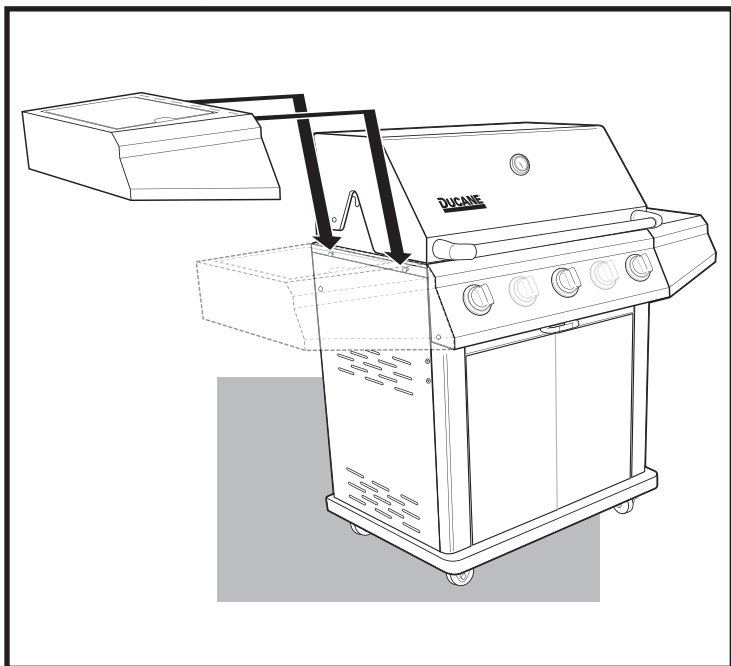
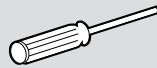
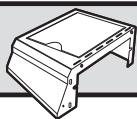


3 BRNR. 5 BRNR.

3 BRNR. 5 BRNR.



1



NOTE: The two (2) lower bolts used to install the stainless steel side shelf (s) are threaded into the grill cart on the both sides of the grill. Remove the bolts and re-install when attaching the stainless steel side shelf (s).

NOTA: los dos (2) pernos inferiores para instalar el (los) anaquel(es) lateral(es) de acero inoxidable van enroscados dentro del carro de la barbacoa a ambos lados de la misma. Retire los pernos y vuélvalos a instalar al colocar el (los) anaquel(es) lateral(es) de acero inoxidable.

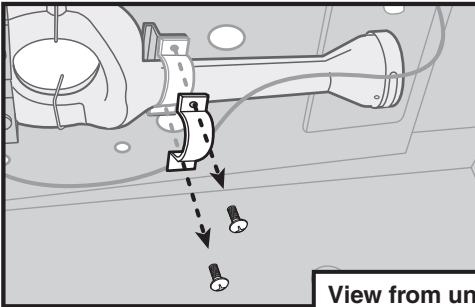
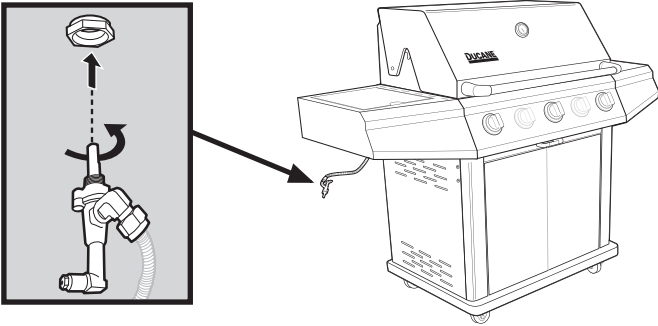
REMARQUE : Les deux (2) boulons inférieurs permettant d'installer la ou les étagère(s) latérale(s) en acier inoxydable sont vissés dans le chariot du grill, des deux côtés du grill. Retirez les boulons puis remettez-les en place lorsque vous fixez la ou les étagère(s) latérale(s) en acier inoxydable.

⚠ CAUTION: Failure to install the Side Burner properly could cause the unit to loosen and fall, causing bodily harm.

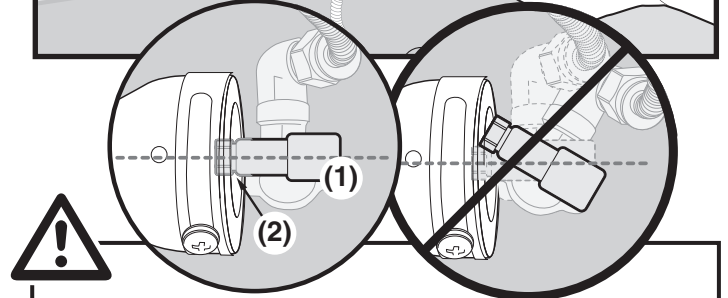
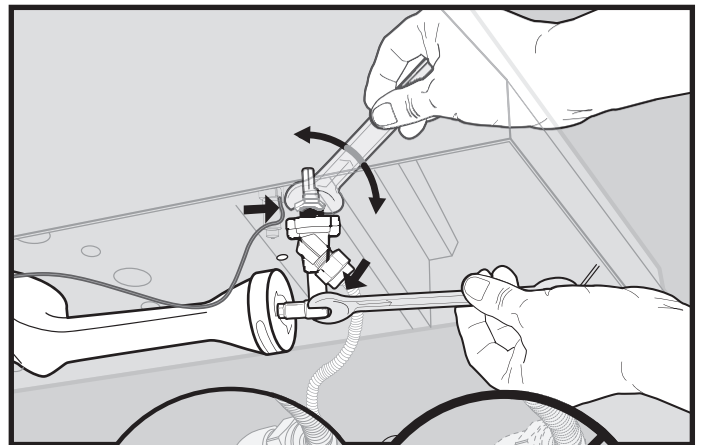
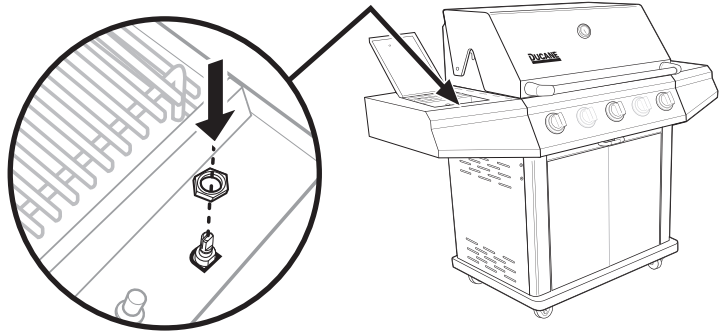
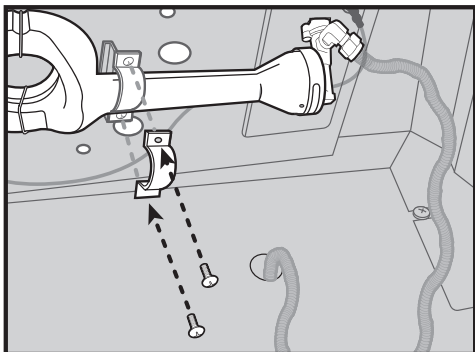
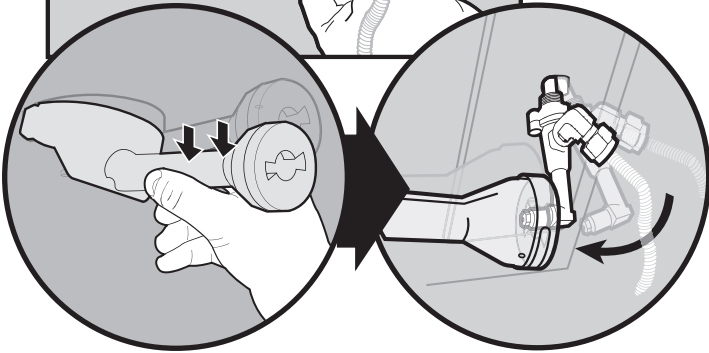
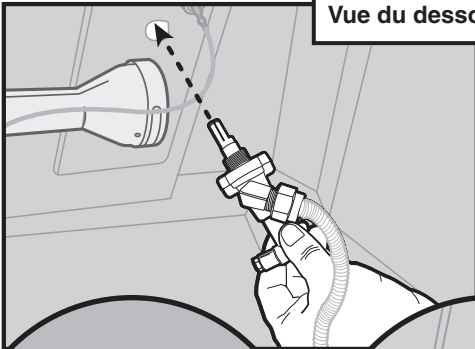
⚠ PRECAUCIÓN: De no instalar la Hornilla Lateral apropiadamente puede causar que la unidad se afloje y caiga causando lesiones al cuerpo.

⚠ AVERTISSEMENT: L'omission d'installer le brûleur latéral correctement pourrait occasionner un desserrage de l'unité et le faire tomber, causant ainsi des blessures corporelles.

2



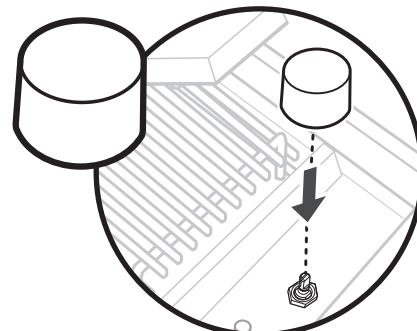
View from underneath
Vista desde abajo
Vue du dessous



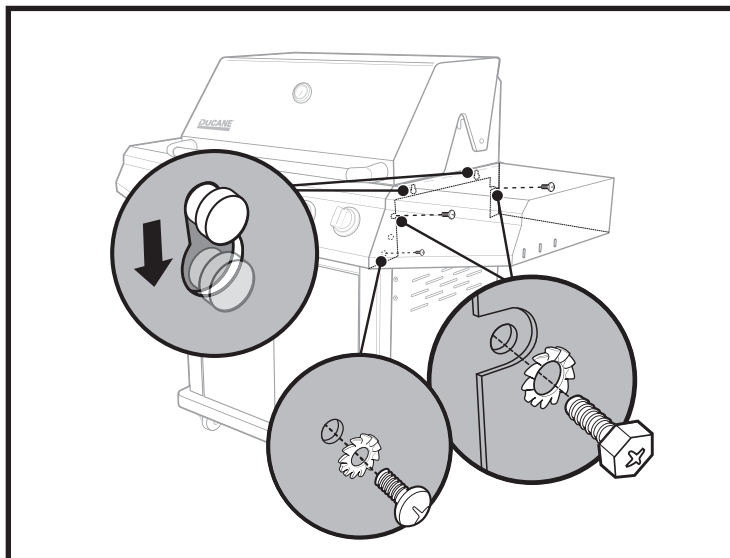
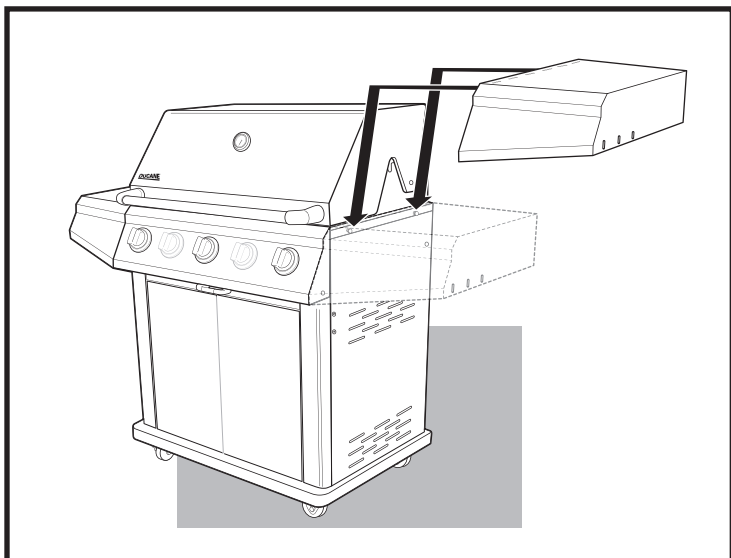
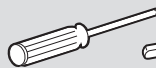
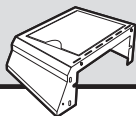
WARNING: The side burner orifice (1) must be parallel to the side burner tube opening (2).

ADVERTENCIA: El orificio (1) del quemador lateral debe de estar paralelo a la abertura (2) del tubo del quemador lateral.

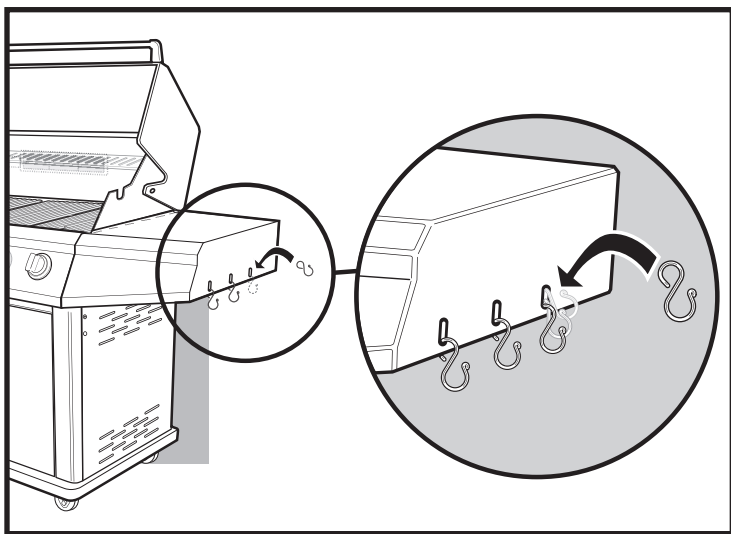
AVERTISSEMENT: L'orifice du brûleur latéral (1) doit être parallèle à l'ouverture du tube du brûleur latéral (2).



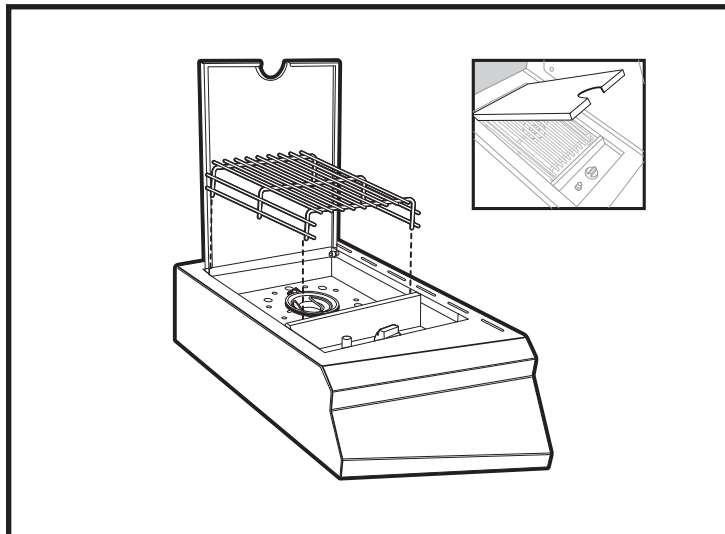
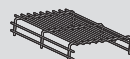
3



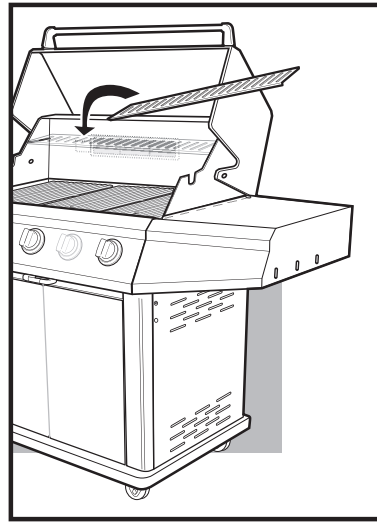
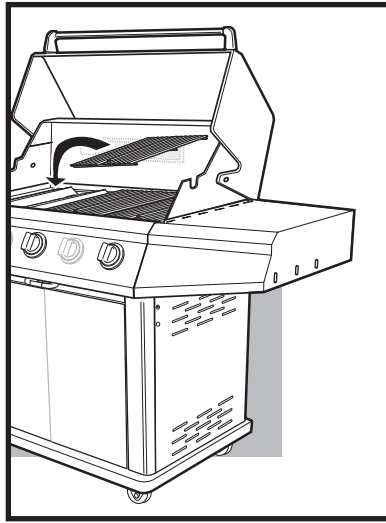
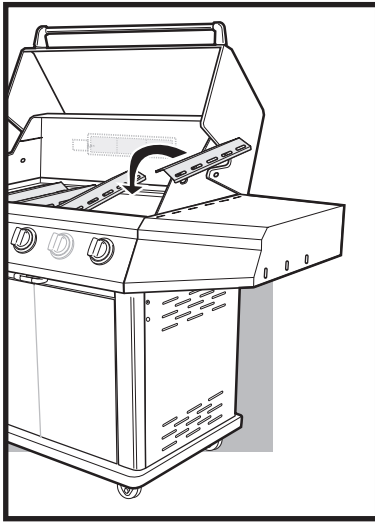
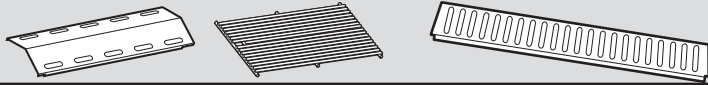
4



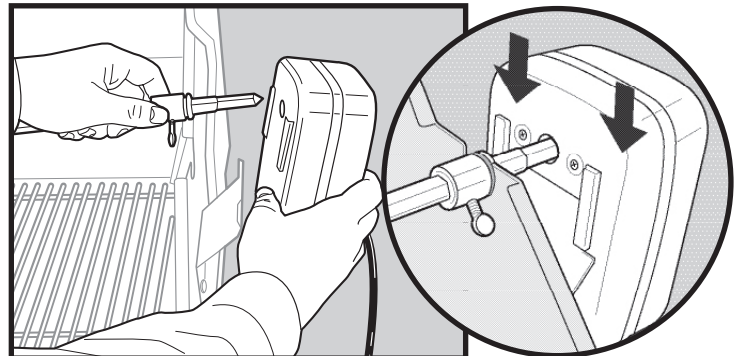
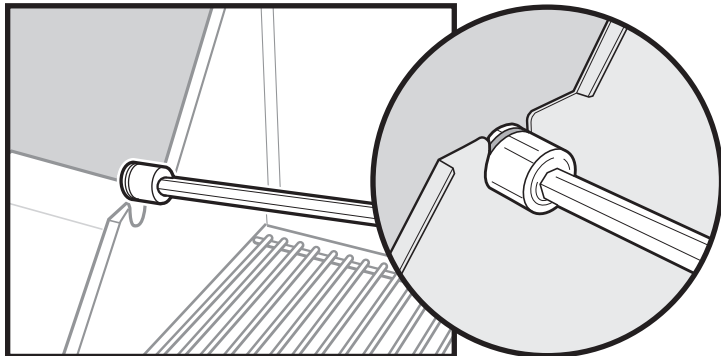
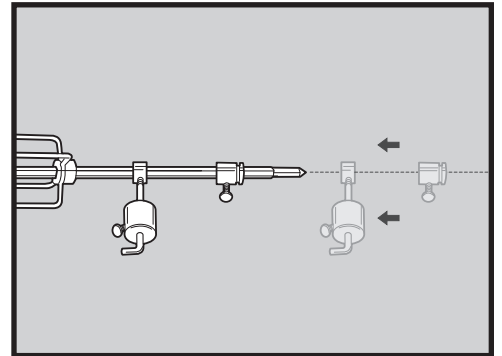
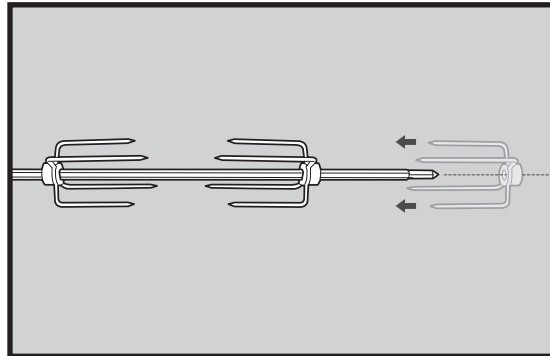
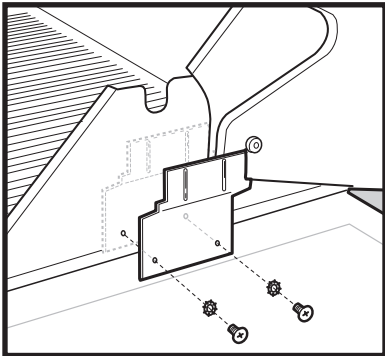
5



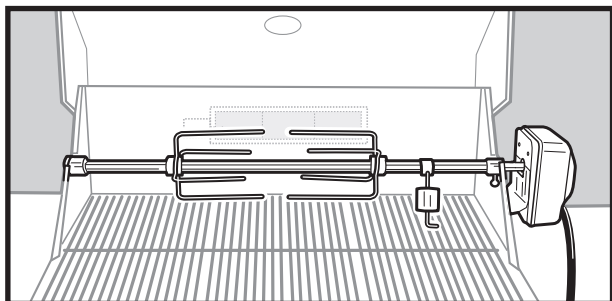
6



7



7



⚠ CAUTION: Always remove the warming rack when using the rotisserie.

⚠ WARNING: The rotisserie motor must be stored indoors when not in use. DO NOT leave it mounted to the grill.

⚠ OBSERVACIÓN: Siempre quite la rejilla de calentamiento cuando esté usando el sistema rotativo.

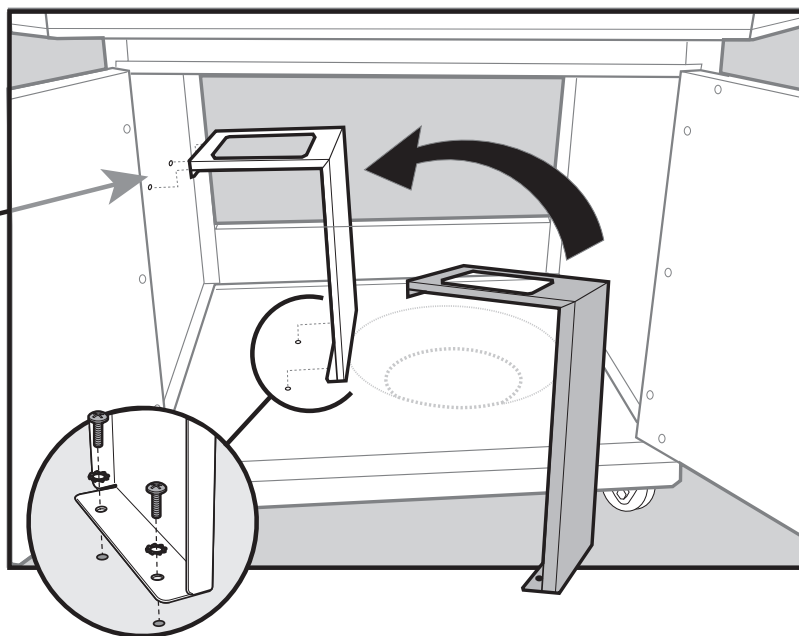
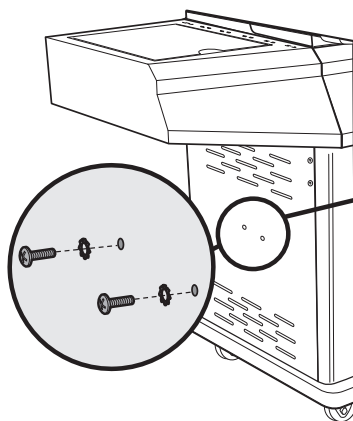
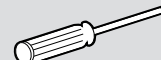
⚠ PRECAUCIÓN: El motor debe ser almacenado dentro, cuando no esté en uso. NO LO DEJE montado en la parrilla.

⚠ REMARQUE: Enlevez toujours la grille de chauffage lors de l'utilisation de la rôtisserie.

⚠ AVERTISSEMENT: Le moteur de rôtisserie doit être entreposé à l'intérieur lorsqu'il n'est pas utilisé. NE le laissez PAS installé sur le gril.

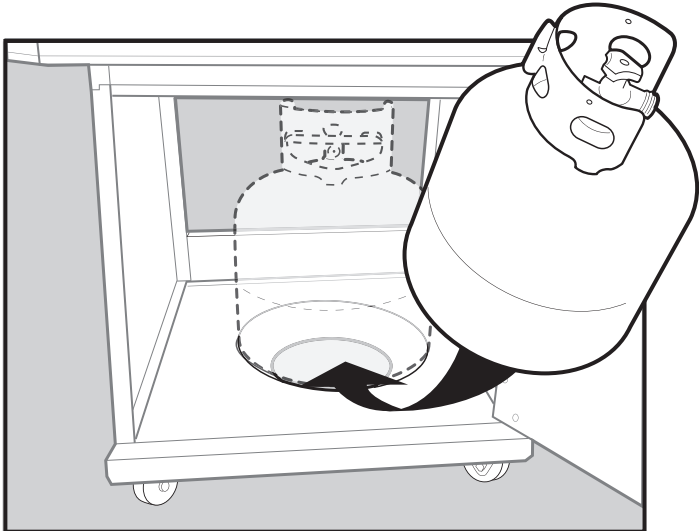
8

5
BRNR.



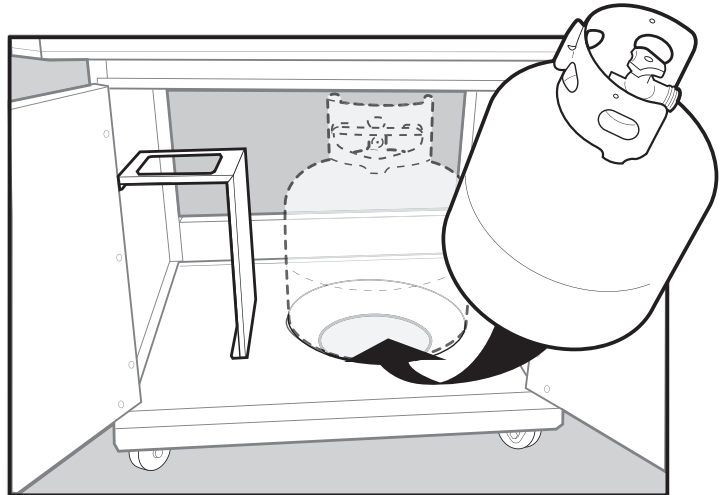
9

3
BRNR.



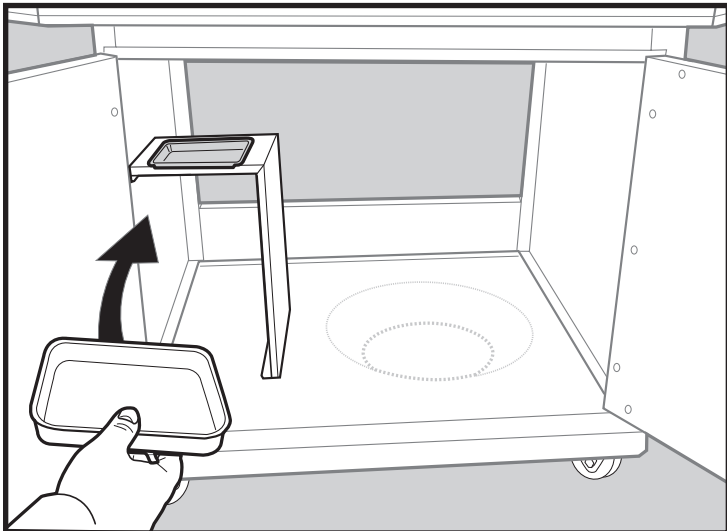
9

5
BRNR.

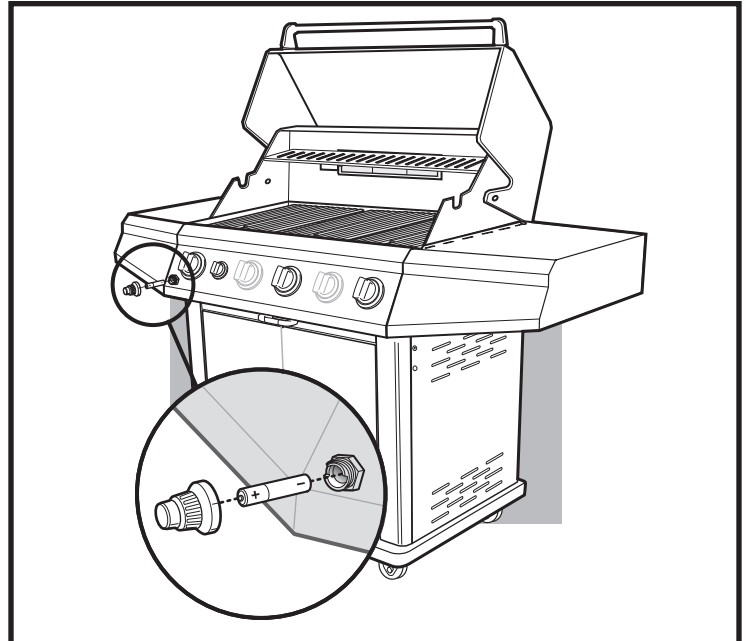


10

5
BRNR.



11



WARRANTY, GARANTÍA, GARANTIE

Ducane Products, Co. hereby warrants to the ORIGINAL PURCHASER of this Ducane® Stainless Series gas grill that it will be free of defects in material and workmanship from the date of purchase as follows:

Ten-Year Limited Warranty

- Stainless steel cabinetry and grill lid excluding discoloration and scratches

Five-Year Limited Warranty

- Stainless steel cooking grates
- Stainless steel primary grill burners
- Side Burner Inserts
- Stainless steel rotisserie burners

Two-Year Limited Warranty

- Rotisserie motor
- Ignition system
- All remaining parts

The above warranty period(s) applies only to grills used in a non-commercial setting when assembled and operated in accordance with the printed instructions accompanying the grill.

Ducane may require valid proof of your date of purchase. Please retain your receipt of purchase or invoice as reasonable proof.

This Limited Warranty shall be limited to repair or replacement of parts that prove defective under normal, non-commercial use and which, on examination shall indicate, to Ducane's satisfaction, that they are defective. Before returning any parts, please contact Ducane's Customer Service at 1-800-DUCANES (1-800-382-2637).

If Ducane confirms the defect and approves the claim, Ducane will elect to replace such parts without charge. If you are required to return defective parts, transportation charges must be paid by you. Ducane will return parts to purchaser, freight or postage prepaid.

This Limited Warranty does not cover failures or operating difficulties due to accident, abuse, misuse, alteration, misapplication, vandalism, improper installation, use in a commercial enterprise, improper maintenance, including but not limited to damage caused by insects within burner tubes, as described in the owner's manual.

Deterioration or damage due to severe weather conditions, such as hail, hurricanes, earthquakes, or tornadoes is not covered by this Limited Warranty. Deterioration or discoloration due to exposure to chemicals, either directly or in the atmosphere, is not covered by this Limited Warranty.

There are no other express warrants except as set forth herein and any applicable implied warranties of merchantability and fitness are limited in duration to the period of coverage of this express written Limited Warranty. Some regions do not allow limitation on how long an implied warranty lasts, so this limitation may not apply to you.

Ducane is not liable for any special, indirect or consequential damages. Some regions do not allow the exclusion or limitation of incidental and consequential damages, so this limitation or exclusion may not apply to you.

Ducane does not authorize any person or company to assume for it any other obligation or liability in connection with the sale, installation, use, removal, return or replacement of its equipment; and no such representations are binding on Ducane.

This Limited Warranty applies only to products sold at and purchased from a retail entity excluding on-line auction services.

DUCANE PRODUCTS CO.
Customer Service Center
1890 Roselle Road, Suite 308
Schaumburg, IL 60195
USA
For replacement parts call:
1-800-446-1071
www.ducane.com®

Ducane Products, Co., por el presente documento garantiza al COMPRADOR ORIGINAL de esta parrilla a gas de la Serie Inoxidable de Ducane® que estará libre de defectos de materiales y fabricación desde la fecha de adquisición así:

Garantía limitada de diez años

- Gabinete de acero inoxidable y tapa de la parrilla, excluyendo decoloración y rasguños

Garantía limitada de cinco años

- Rejillas para cocción en acero inoxidable
- Quemadores primarios de la parrilla en acero inoxidable
- Insertos de quemadores laterales
- Quemadores para asador en acero inoxidable

Garantía limitada de dos años

- Motor del asador
- Sistema de encendido
- Todas las demás partes

Los anteriores períodos de garantía sólo se aplican a parrillas usadas en ambientes no comerciales cuando sean ensambladas y operadas de acuerdo con las instrucciones impresas que acompañan la parrilla.

Ducane puede solicitar una prueba válida de su fecha de adquisición. Por favor guarde su recibo de compra o la factura como prueba razonable.

Esta Garantía Limitada se limitará a la reparación o reemplazo de partes que se pruebe que estaban defectuosas bajo un uso normal y no comercial, y que, tras ser examinadas, indiquen a satisfacción de Ducane que efectivamente están defectuosas. Antes de devolver cualquier parte, por favor contacte al Servicio al Cliente de Ducane al 1-800-DUCANES (1-800-382-2637).

Si Ducane confirma el defecto y aprueba la reclamación, Ducane elegirá reemplazar dicha parte sin ningún cargo. Si se le solicita que devuelva las partes defectuosas, los costos de transporte deberán ser asumidos por usted. Ducane devolverá las partes al comprador con flete o timbre pagado por anticipado.

Esta Garantía Limitada no cubre fallos o dificultades de operación debidos a accidentes, abuso, mal uso, alteración, mal manejo, vandalismo, instalación inadecuada, uso en empresa comercial, mantenimiento indebido, e incluye, pero no se limita, a daños causados por insectos al interior de los tubos quemadores, como se describe en el manual del usuario.

El deterioro o daño debido a condiciones climáticas extremas, tales como granizo, huracanes, terremotos o tornados no está cubierto por esta Garantía Limitada.

El deterioro o la decoloración debidos a la exposición a químicos, bien sea directamente o en la atmósfera no están cubiertos por esta Garantía Limitada.

No hay ninguna otra garantía expresa salvo las que están contenidas en este documento, y cualquier garantía implícita aplicable de comerciabilidad y adecuación está limitada a la duración del período de cobertura de esta expresa Garantía Limitada. Algunas regiones no admiten una limitación al tiempo de duración de una garantía implícita, de forma que esta limitación no aplica para usted.

Ducane no es responsable por ningún daño especial, indirecto o resultante. Algunas regiones no admiten la exclusión o limitación de daños incidentales o resultantes, de forma que esta limitación podría no aplicar para usted.

Ducane no autoriza a ninguna persona o compañía a asumir en su nombre ninguna otra obligación o responsabilidad en relación con la venta, instalación, uso, retiro, devolución o reemplazo de este equipo; y ninguna de dichas representaciones obligan a Ducane.

Esta Garantía Limitada aplica únicamente a productos vendidos en y comprados de una entidad detallista, excluyendo servicios de subasta en línea.

DUCANE PRODUCTS CO.
Customer Service Center
1890 Roselle Road, Suite 308
Schaumburg, IL 60195
USA
Para partes de repuesto llame a:
1-800-446-1071
www.ducane.com®

Para compras hechas en México
DUCANE PRODUCTS S.A. de C.V.
Marcella No. 338,
Colonia Americana
44160 México, C.P.
México
Para partes de repuesto llame a:
(52) (33) 3615-0736
www.ducane.com®

Par la présente, Ducane Products, Co., garantie à l'ACHETEUR ORIGINAL du gril au gaz en acier inoxydable Ducane® qu'elle sera sans vices de matériaux et de fabrication à partir de la date d'achat, tel que suit:

Garantie Limitée de Dix Ans

- Habillage et couvercle de gril en acier inoxydable à l'exception de décoloration et d'égratignures.

Garantie Limitée de Cinq Ans

- Gril de cuisson en acier inoxydable
- Brûleurs primaire en acier inoxydable
- Insertions du brûleurs du côté
- brûleurs de tournebroche en acier inoxydable

Garantie Limitée de deux ans

- Moteur du tournebroche
- système d'allumage
- Toutes autres pièces

La(Les) période(s) de garantie ci-haut mentionné s'applique seulement au grils personnel, et non ceux qui sont utilisés dans un milieu commercial, quand assemblé et opéré selon les instructions incluses avec le gril.

Ducane pourra exiger une preuve d'achat valable. Veuillez conserver votre preuve d'achat ou votre facture comme preuve.

Cette garantie sera limitée à la réparation ou le remplacement de pièces qui s'avèrent être défectueuses sous des conditions d'utilisation normal, non-commercial, et qui, après exam indiquera, à la satisfaction de Ducane's, une défectuosité. Avant de retourner les pièces, veuillez contacter le service à clientèle de Ducane au 1-800-DUCANES (1-800-382-2637).

ISI Ducane confirme la défectuosité et approuve la demande, Ducane choisira de remplacer ses pièces sans frais. Si vous êtes obligé de retourner des pièces défectueuses, vous devez assumer tous les frais de transports, fret ou port-pré-payé.

Cette garantie limitée ne couvre pas les pannes ou les difficultés d'opération résultant d'accidents, abus, emploi abusif ou mauvaise opération, vandalisme, mauvaise installation, utilisation commerciale, mauvais entretien, incluant mais pas limitée aux dommages causés par les insectes dans les tubes de brûleurs, tel que décrites dans le guide d'achat.

La détérioration ou les dommages dû aux conditions sévère de température, notamment, grêles, ouragans, tremblements de terre, ou tornades ne sont pas couvert par cette garantie limitée.

La détérioration ou la décoloration dû à une exposition au produits chimique, directement ou dans l'atmosphère, ne sont pas couvertes par cette garantie limitée.

Il n'y a pas d'autres garantie expresse à part celles détaillées et n'importe quelle garantie tacite de qualité marchande et de compatibilité applicable est limitée à la durée de la période de couverture de cette garantie expresse limitée. Certaines régions ne permettent pas la limitation de garantie tacite, donc la limitation ne pourrait vous être applicable.

Ducane n'est pas responsable des dommages, indirects ou conséquents. Certaines régions ne permettent pas l'exclusion ou la limitation de dommages accessoires ou immatériels, donc, l'exclusion ou la limitation ci-haut mentionnée ne pourrait vous être applicable.

Ducane n'autorise aucune personne ou entreprise, d'assumer à son nom, n'important quelle obligation ou responsabilité liée à la vente, l'installation, l'utilisation, l'enlèvement, le retour ou le remplacement de son équipement; et ce, notamment, aucune représentations de ce genre engage Ducane.

Cette garantie limitée s'applique seulement aux produits vendu par, ou procuré chez, un détaillant, excluant tous sites de vente aux enchères en-ligne..

DUCANE PRODUCTS CO.
Product Registration
P.O. Box 40530
Burlington, ON L7P 4W1

Pour des pièces de rechange, appelez le :
1-800-265-2150
www.ducane.com®

SAFETY INFORMATION

IMPORTANT

We urge you to read this manual carefully and to follow the recommendations enclosed. This will help assure you of the most enjoyable and trouble-free operation of your new Ducane® Gas Grill. We also advise you to keep this manual for future reference.

- ⚠ **WARNING:** Your grill has been designed to operate using only the gas specified on the rating plate. Do not attempt to operate your grill on other gases. Failure to follow this warning could lead to a fire hazard and bodily harm, and will void your warranty.
- ⚠ **CAUTION:** FOR YOUR SAFETY- Do not store any flammable materials in any cabinets beneath the grill burner box or in the vicinity of your grill.
- ⚠ **WARNING:** Be sure to have your LP (propane) tank filled by a reputable propane dealer. An incorrectly filled or an overfilled LP tank can be dangerous. The overfilled condition combined with the warming of the LP tank (a hot summer day, tank left in the sun) can cause LP gas to be released by the pressure relief valve on the tank since the temperature increase causes the propane to expand. LP gas released from the tank is flammable and can be explosive.
- ⚠ **WARNING:** (a) Do not store a spare gas supply cylinder under or near this appliance; (b) Never fill the cylinder beyond 80 percent full; and (c) If the information in “(a)” and “(b)” is not followed exactly, a fire causing death or serious injury may occur.

- ⚠ **WARNING:** Keep any electrical supply cord and the fuel supply hose away from any heated surfaces.
- ⚠ Do not build this model of grill in any built-in or slide in construction. Ignoring this Warning could cause a fire or an explosion that can damage property and cause serious bodily injury or death.

CALIFORNIA PROPOSITION 65

- ⚠ **WARNING:** The burning of gas cooking fuel generates some by-products which are on the list of substances known by the State of California to cause cancer or reproductive harm. California law requires businesses to warn customers of potential exposure to such substances. To minimize exposure to these substances always operate this unit according to the use and care manual, ensuring you provide good ventilation when cooking with gas.

INSTALLATION Liquid Propane Gas Grills

Location of Your Grill

- Your Ducane® Gas Grill is manufactured for outdoor use only! Any grill, charcoal or gas, produces carbon monoxide while in operation and the gas should not be allowed to accumulate in a confined area. Never operate this grill inside a building or any enclosed area such as your home, garage or recreational vehicle.
- When locating your grill, choose a safe outdoor location away from flammable or combustible surfaces and out of traffic paths. Ducane® strongly recommends a 24” clearance to combustible surfaces and 120”(10 feet) to any fuel containers or propane cylinders.
- Consult your local codes for possible additional restrictions on location or operation of your grill.
- As your grill uses gas, it requires air to burn properly. Do not locate your grill in such manner or as to obstruct the flow of combustion and ventilation air around the grill.
- When possible, adjust your grills’ position to reduce the likelihood of wind blowing onto it.

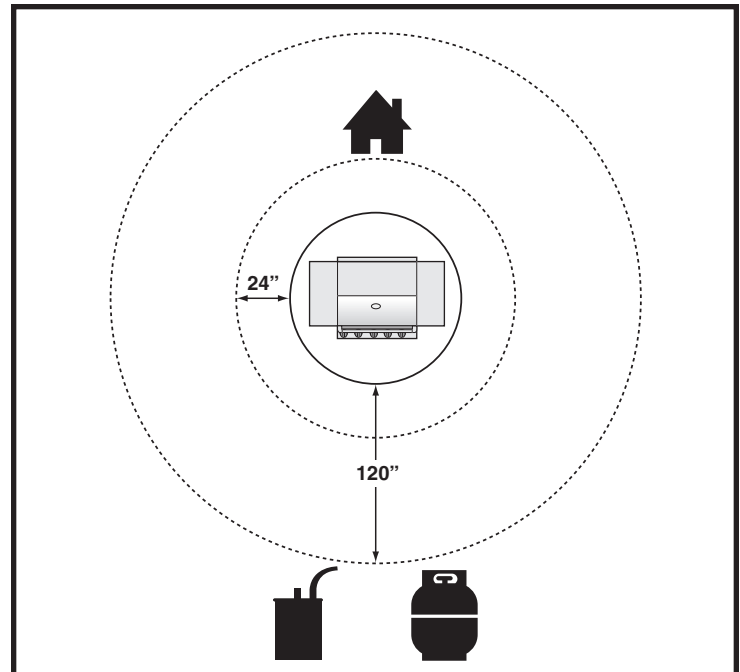
- ⚠ **CAUTION:** Never operate your grill under any overhead combustible construction.
- ⚠ **CAUTION:** This grill is not intended to be installed in or attached to a recreational vehicle. It is also not intended to be installed in or on a boat.
- ⚠ **WARNING:** For your safety, do not store or use gasoline or other flammable vapors and liquids in the vicinity of this or any other appliance. Failure to follow this warning could lead to a fire, explosion and bodily harm.

Assembly

Make sure your grill is assembled properly. Detailed assembly instructions are packed with each grill giving specific assembly procedures for each model. Follow these instructions carefully to ensure the correct and safe assembly of the grill.

Leveling

It is important for the proper operation of the grill that it be located on a level surface.



CONNECTION Liquid Propane Gas Grills

Type of Gas

- Your LP grill is factory built to operate using liquid propane only. Never attempt to operate your grill on gases other than the type specified on the grill rating plate.
- The regulator supplied with your liquid propane gas grill is set for 11" water column pressure and is for use with propane gas only. This regulator and the factory-supplied hose assembly must be used when operating your grill with a 20 lb. LP gas cylinder.
- If replacement of the hose and/or regulator becomes necessary, factory-specified parts are required.
- For safety and design reasons, the conversion of a Ducane® grill from operation using LP gas to operation using natural gas requires the change out of the entire gas supply system of the grill. If this becomes necessary, see your dealer for additional information.

Type of Liquid Propane Tank

For LP gas grills, the LP gas supply cylinder to be used must be constructed and marked in accordance with the specifications for LP Gas Cylinders of the US Department of Transportation (DOT) or the National Standard of Canada, CAN/CSA-B339 Cylinders, Spheres and Tubes for the Transportation of Dangerous Goods. This tank must be provided with a shut-off valve terminating in a liquid propane gas tank valve outlet. The valve must be equipped with a Type 1 connection complying with the latest edition of ANSI Z21.58.

Installing Liquid Propane Tank

The Propane tank is installed through the back of the base cabinet. Lift the liquid propane tank into the cabinet and rest it in the base opening. Position the valve opening facing out to the rear of the grill.

Ducane recommends the use of cylinder manufacturer's Manchester and Worthington, with a 47.6 lb water capacity. Other cylinders may be acceptable for use with the appliance provided they are compatible with the appliance retention means (see illustration).

IMPORTANT

- If there are local codes that apply to portable gas grills, you will have to conform to them. Installation must conform with local codes or, in the absence of local codes, with either the National Fuel Gas Code, ANSI Z223.1/NFPA 54, Natural Gas and Propane Installation Code, CSA B149.1, or Propane Storage and Handling Code, B149.2.
- Check that the area under the control panel and the bottom tray are free from debris that might obstruct the flow of combustion or ventilation air.
 - The areas around the LP cylinder must be free and clear from debris.

Handling Liquid Propane Gas

Propane gas should be handled and stored with care. We suggest asking your propane gas dealer, when having your tank filled, for a short course in handling, care and storage of propane gas tanks. Most dealers will be glad to instruct you on how to store and handle your tank. Make sure your tank is never stored inside! Keep it outside in a well-ventilated area in an upright position away from your gas grill.

Portable Installation

Complete portability is afforded to the grill head when mounted on the portable cart. When so installed, it is necessary to use a 20 lb. capacity liquid propane tank. Use no other size. The tank retainer is designed to accommodate only this size tank.

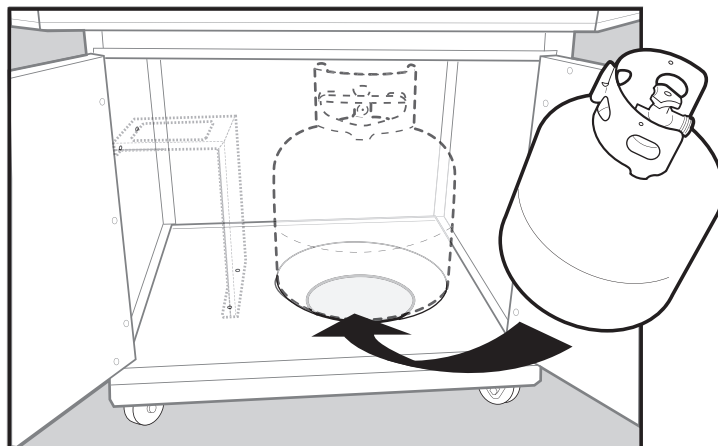
IMPORTANT

The liquid propane tank supply system must:

1. Have a safety relief device having direct communication with the vapor space of the tank.
2. Be arranged for vapor withdrawal.
3. Include a collar on the tank to protect the tank valve.
4. Be equipped with an overfill protection device (OPD). The tank should be 12 inches in diameter and 18½ inches tall.

CHECKING GAS LEAKS

Before operating your grill and after refueling, check carefully to be certain that all connections are tight and there are no gas leaks. The easiest way to do this is to mix up a little soapy water, like you would for washing dishes. Turn on the gas and brush a little of the mixture around fittings. If new bubbles form, you have a leak!

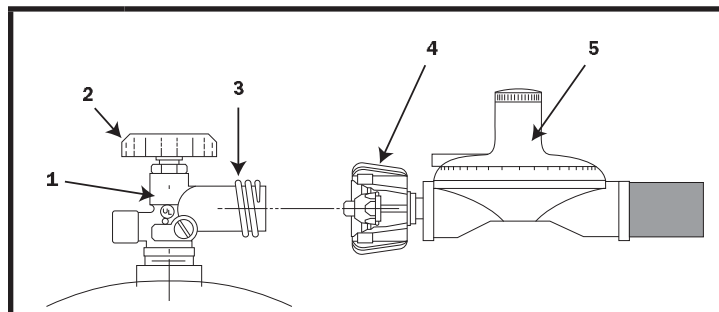


Type 1 Connective Coupling

All Ducane liquid propane gas grill regulators are equipped with a UL-listed tank connection as per the latest edition of ANSI Z21.58. This will require a liquid propane tank that is similarly equipped with a Type 1 connection in the tank valve. This Type 1 coupling allows you to make a fast and totally safe hookup between your gas grill and your liquid propane tank. It eliminates the chance of leaks due to a POL fitting that is not properly tightened. Gas will not flow from the tank unless the Type 1 coupling is fully engaged into the coupling.

⚠ WARNING: The Type 1 connective coupling supplied with your grill must not be replaced with a different type of grill/tank connection system. Removal will result in loss of warranty and, if improperly done, may result in serious bodily injury or death, or in a fire or an explosion causing damage to property.

⚠ WARNING: Do not let the regulator hose loop up towards the bottom of the burner box.



TYPE 1 CONNECTIVE COUPLING

1	Type 1 Valve
2	Hand Wheel
3	External Thread
4	Thermally Sensitive Nut
5	Propane Regulator

The propane cylinder valve connection provided with this grill incorporates the four important safeguards listed:

Hand Assembly

1. Make sure the cylinder valve and all appliance valves are in their "OFF" positions.
2. When connecting regulator/burner valve assembly to cylinder valve, turn large plastic nut clockwise until it stops.
3. Gas will not flow unless plastic nut is fully engaged.
4. HAND TIGHTEN ONLY.

Disconnecting Cylinder

1. Turn cylinder valve and all appliance valves "OFF".
2. Turn large plastic nut counterclockwise to disengage coupling.

⚠ WARNING: Do not use a tool to tighten the connection. Using a tool could damage the regulator coupling and could cause a leak resulting in serious bodily injury or death, or in a fire or an explosion causing damage to property.

Temperature-Activated Shut-Off

The large plastic nut on the regulator assembly is designed in coordination with a check valve in the cylinder valve to shut off the flow of gas when exposed to temperatures between 240-300°F.

In the event of a fire or hose break, one of the safeguards will function to control or stop the flow of gas from the propane cylinder. Never attempt to use damaged equipment.

Gas Leak Checks

Never use a match or flame for leak detection. Use soapy water or testing solution. Brush the solution onto connection points and look closely for bubbles indicating escaping gas. If leaks are detected, shut off the main gas supply valve and securely retighten connections, then repeat the leak test.

On cabinet models, perform this operation before placing the tank into its storage compartment. After placing the tank in the compartment, recheck the tank to see if any connections were disturbed.

⚠ WARNING: Never use an open flame when testing for gas leaks. Use of an open flame may result in serious bodily injury or death, or in a fire or an explosion causing damage to property.

Liquid Propane Tank Safety Tips

- Remember to handle your portable liquid propane tank carefully when you take it to your dealer for a refill. Avoid dropping it or bumping it against sharp objects. Liquid propane tanks are sturdily constructed, but a series of hard jolts could damage the container.
- When transporting the tank to your local propane gas dealer, make sure the valve is closed tightly and the protective cover is in place. Prop the tank securely in an upright position so it can't roll around your vehicle.
- If you plan to make stops for other shopping or errands, have your liquid propane tank filled at the last stop before going home. Again, see that the refilled tank is secure in an upright position, and when you return home, remove the refilled tank from your vehicle. Never leave a portable liquid propane tank inside a vehicle which may become overheated by the sun.
- Your local liquid propane gas dealer will gladly offer you additional safety tips.

Store Liquid Propane Tank Safely

Whether you're between cross-country treks in your recreational vehicle or looking for a place to keep the liquid propane tank that provides fuel for your outdoor grill, keep in mind some basic safety rules about storing portable liquid propane tanks. Don't store the tanks - whether full or empty - inside your home, the living area of an R.V., a garage, basement or workshop. It isn't likely that liquid propane will leak from the tanks, but if it should, the fuel could be exposed to sparks from automobiles, power tools or other appliances. When storing or transporting your LP tank, it must remain in an upright position. Never lie your LP tank down on its side whether it is full or empty. Never store a spare tank near your grill.

⚠ CAUTION: Never transport or move your grill or grill tank without first closing the manual valve on your liquid propane gas tank.

⚠ CAUTION: Place dust cap on cylinder valve outlet whenever the cylinder is not in use. Only install the type of dust cap on the cylinder valve outlet that is provided with the cylinder valve. Other types of caps or plugs may result in leakage of propane.

Excess Flow Control

The propane regulator assembly incorporates a flow limiting device designed to supply the grill with sufficient gas flow, yet control any excess flow.

Rapid changes in pressure can trigger the flow limiting device. If the cylinder valve is turned to allow gas flow while a burner valve is open, the surge of pressure will cause the device to activate. The device will remain closed until the pressure is equalized. This should occur within a 5-second time frame. If the flame remains low, shut off the gas valves, wait five seconds and relight grill one burner at a time.

To ensure that this does not cause difficulty in lighting the grill, follow these instructions:

1. Make sure all burner valves are OFF.
2. Open cylinder valve and wait 5 seconds.
3. Follow lighting instructions.

IMPORTANT

When connecting or replacing any gas pipe with pipe threads or fittings, all joints must be sealed with leak-proof sealing compound approved for use with natural and propane gases. After making connections, check all joints for leaks using soapy water and a brush.

The best place to store a liquid propane tank is in a shady or protected spot outdoors, behind your home or garage, but where it is out of reach of children. Liquid propane won't evaporate, because it's in a strong, closed container. And it won't lose any of its clean-burning heat content, even if left outside year-round.

⚠ WARNING: When not connected to your grill, any LP gas tank must be stored in an upright position in a cool, shady, ventilated, outdoor location away from your grill or any other heat source. If this information is not followed exactly, a fire causing death or serious injury may occur.

Filling a Propane Tank

It is extremely important that your LP tank be filled properly when you take it to be refilled. Be sure to use a reputable LP dealer and ask him (and watch, if possible) how he fills the tank and knows when to stop. An overfilled LP tank can be dangerous. The proper way to fill a tank is by weight. The empty tank should be placed on a scale and the scale weights readjusted to a weight which would allow up to 80% of the total weight of propane (LP) to be put into the tank. When this weight is reached, the filling operation must be ended. If the tank is not completely empty, the scale readjustment must be changed to consider the propane (LP) already in the tank.

⚠ WARNING: An LP (propane) tank is overfilled if it contains more than 80% by weight of its total capacity of propane (LP). An incorrectly filled or an overfilled LP (propane) tank can be dangerous. If this information is not followed exactly, a fire causing death or serious injury may occur. If a tank is overfilled and the weather causes the warming of the LP tank, (a hot day, tank left in sun or stored indoors) internal pressure is created due to expansion of the propane which in turn causes the LP gas to be released through the pressure relief valve on the tank. The pressure relief valve is a safety device required on 20 lb. propane tanks by the Department of Transportation to prevent a catastrophic tank failure due to excessive pressure. LP gas released from the tank is flammable and can be explosive.

NORMAL OPERATION

Breaking in Your Grill

When firing your grill for the first time, it is advisable to run the Main Burner(s) on "HI" for 20 minutes with the hood down and then turn the Main Burners "OFF". This tempers the grill.

Lighting Your Grill

⚠ WARNING: Before each use of your grill it is important to inspect the full length of the gas line hose. If it is evident there is excessive abrasion or wear, or the hose is cut, the hose must be replaced prior to the appliance being put into operation.

⚠ DANGER: When the "excess gas flow control" feature is activated, a small amount of gas is still flowing to the burners. After turning OFF the cylinder valve, wait at least 5 minutes for the gas to clear before attempting to light the barbecue. Failure to do so may result in an explosive flame-up, which can cause serious bodily injury or death.

⚠ DANGER: Make sure that the lid is in the full open position any time you attempt to light your grill. Failure to open the lid could lead to delayed ignition which may result in serious bodily injury or death, or in a fire or an explosion causing damage to property.

⚠ WARNING: The burner control knobs must be in the OFF position before turning on the liquid propane cylinder tank valve. If they are not in the OFF position, when you turn on the LP cylinder valve, the "excess gas flow control" feature will activate, limiting the flow from the LP cylinder. If this should occur, turn off the LP cylinder valve and burner control knobs. Start over.

Check your parts list or your authorized dealer for the proper replacement hose assembly. For base cabinet model grills, it will be necessary to go behind your grill to check the hose.

Snap Ignition Operation

⚠ Always open the lid before igniting the burners

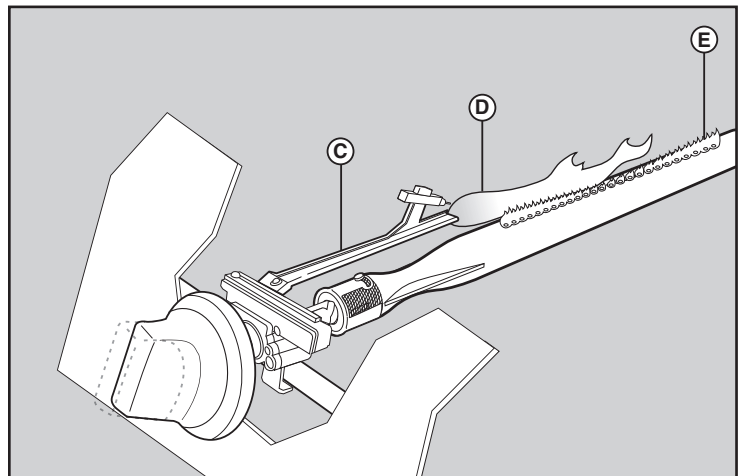
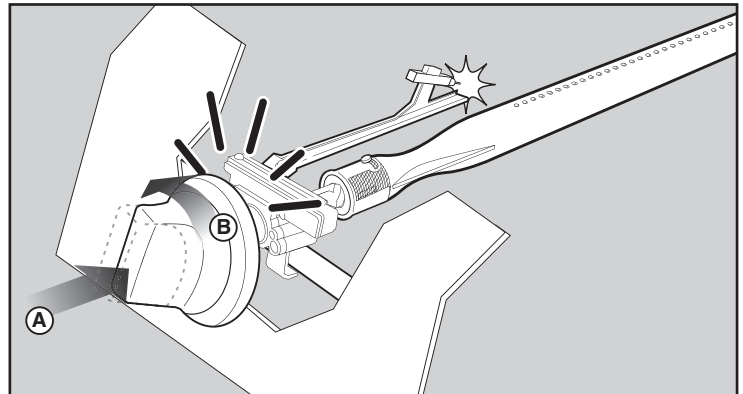
Each control knob has its own igniter electrode built in. To create a spark you must push the control knob in (A) and turn to "START/High" (B).

This action will generate gas flow and a spark to the burner lighting tube (C). You will hear a "snap" from the igniter. You will also see a 3" - 5" orange flame coming from the burner lighting tube at the left side of the burner (D).

Continue to hold the burner control knob in for two seconds after the "snap". This will allow gas to flow completely down the burner tube (E) and insure ignition.

Check that the burner is lit by looking through the cooking grates. You should see a flame. If burner does not light on first try, push control knob in and turn to OFF.

⚠ WARNING: If the burner still does not light, turn the burner control knob to "OFF" and wait 5 minutes to let the gas clear before you try again or try to light with a match.



NORMAL OPERATION

Preheating Grill

It is extremely important that your grill be up to temperature before you begin using it. After lighting, close the lid and preheat the grill on "high" for 10 minutes. This preheating will ensure that the cooking grid is hot enough for proper grilling.

⚠ WARNING: Never leave a grill unattended to guard against possible grease fires getting out of control. Grease fires can be severe and cause grill damage, property damage and bodily harm.

Open or Close Lid for Grilling

Cooking with the lid open or closed is a matter of personal preference. Cooking with the lid closed is recommended if you enjoy cooking at maximum "searing" temperatures. This method will also speed the cooking process, and will give you a more robust, smoky, outdoor flavor. If you prefer cooking slower, with less flare up, we suggest the lid-open method.

We recommend always cooking with your lid CLOSED if you are in a windy area or colder climate. Your Ducane® gas grill has been designed and constructed to give you maximum flexibility and cooking performance. Be creative, try different cooking methods on your grill to determine what suits your needs best...there is no "right" or "wrong" way to cook...just different individual styles.

⚠ WARNING: Please remember that this is an outdoor gas cooking appliance. Many areas of the grill generate extreme heat. We have taken every precaution to protect you from the contact areas. However, it is impossible to isolate all

Main Burner Snap Ignition

Note: Each control knob snap igniter creates a spark from the igniter electrode to the burner lighting tube. You generate the energy for the spark by pushing in the control knob and turning to "START/HI". This will ignite each individual burner.

Follow the simple steps listed below to light the Main Burner(s) of your grill:

1. Open the lid and make sure that all burners are in the "OFF" position.
2. Turn main gas supply on.
3. Push the control knob in and turn to "START/HI" until you hear the igniter snap - continue to hold control knob in for two seconds. This action will spark the igniter, the burner lighting tube and then main burner.
4. Check that the burner is lit by looking through the cooking grates. You should see a flame. If burner does not light on first try, push control knob in and turn to OFF.

⚠ WARNING: If ignition still does not occur, turn control knob OFF and wait 5 minutes before manually lighting the burner with match. See Match Lighting instructions.

high-temperature areas. Therefore, use good judgment and a certain degree of caution when grilling on this product. We suggest a covered, protected hand during operation of grill. Do not move your grill when it is in operation or hot to the touch. Wait until your unit is turned off and properly cooled down before moving from place to place. Failure to follow this warning could result in personal injury.

Post-heating Grill

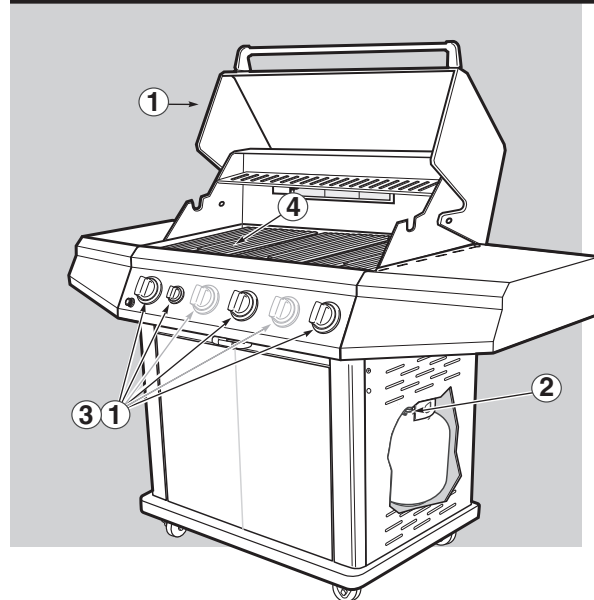
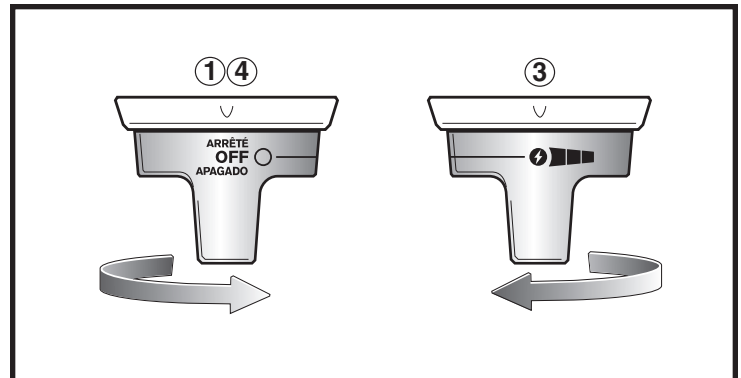
In order to assist cleaning your cook grid and to completely vaporize remaining juices, post-heat grill for 10 minutes with the burners on "high" and the lid closed.

⚠ CAUTION: Do not cover the cook grate during the post-heating period.

After the post-heating of your grill is completed turn the control knobs to the "OFF" position.

Propane Tank Shut-Off

After the burner box cools down, the propane tank valve should also be closed. If you do not want to wait for the burner box to cool down, use a covered hand to turn off the propane tank valve.



NORMAL OPERATION

Match Lighting Your Grill Main Burners

Follow the simple steps listed below to match light the Main Burner(s) of grill, in the event snap ignition fails:

⚠ WARNING: (Make sure that 5 minutes have elapsed since last attempt of lighting.) Make sure that the lid is in the full open position any time you attempt to light your grill. Failure to open the lid could lead to delayed ignition which may result in serious bodily injury or death, or in a fire or an explosion causing damage to property.

⚠ WARNING: Do not lean over an open barbecue.

1. Open the lid and make sure that all burners are in the "OFF" position.

⚠ DANGER: Failure to open the lid while igniting the main burners, or not waiting 5 minutes to allow the gas to clear if the main burner(s) does not light, may result in an explosive flame-up which can cause bodily injury or death.

2. Turn main gas supply on.

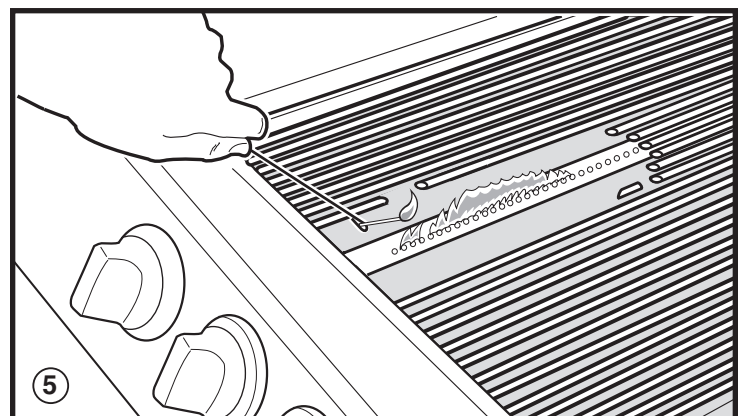
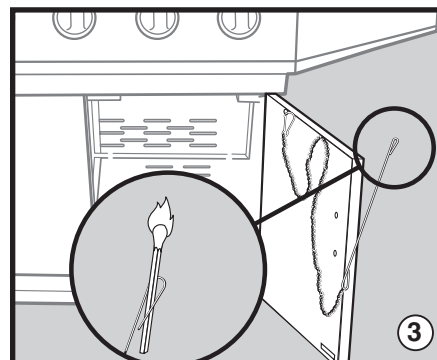
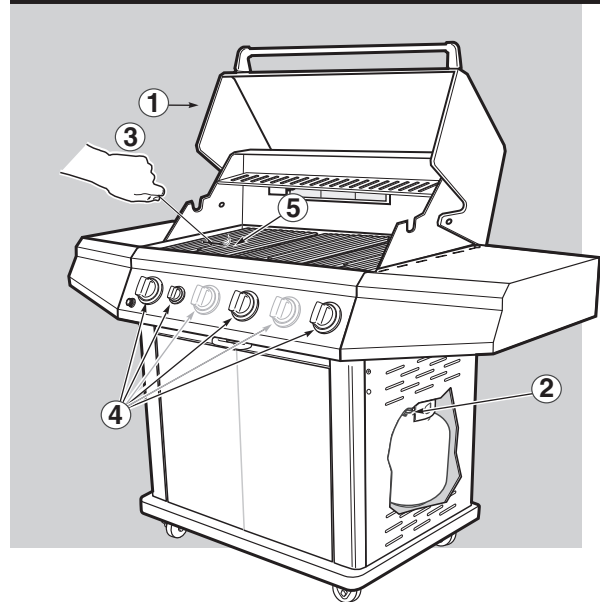
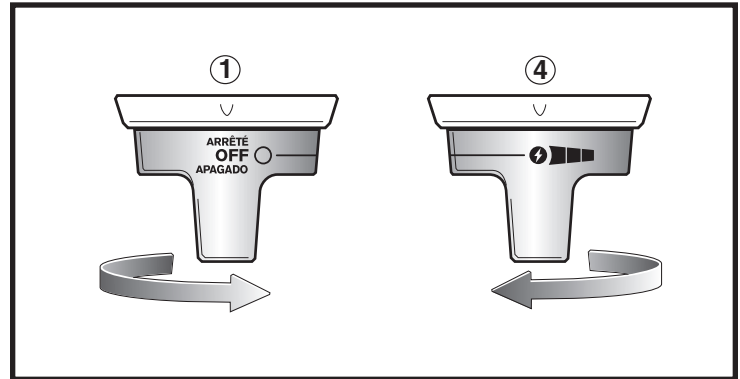
3. Put match in the match holder and strike match.

4. Push in selected MAIN BURNER control knob and turn to "HIGH".

5. Insert match holder and light match down through cooking grate to ignite the selected Main Burner.

⚠ WARNING: If the burner does not light, turn the selected burner control knob to OFF and wait 5 minutes to let the gas clear before trying again to light burner(s).

6. Verify selected Main Burner(s) has ignited by visual inspection of a flame.



NORMAL OPERATION

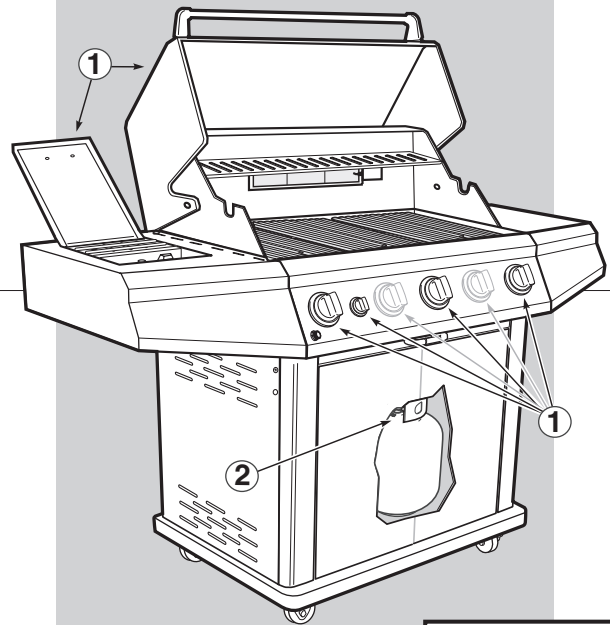
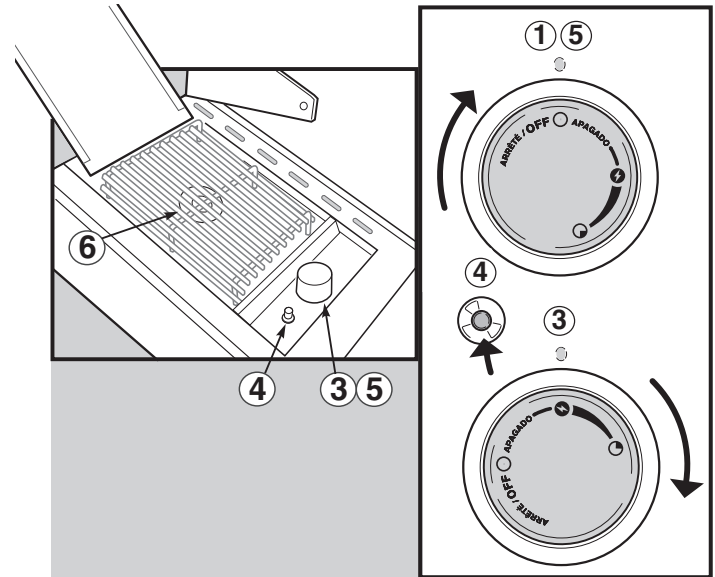
Side Burner Ignition

Follow the simple steps listed below to light the Side Burner (SB) of your grill:

⚠ DANGER: Failure to open the lid while igniting the side burner, or not waiting 5 minutes to allow the gas to clear if the side burner does not light, may result in a explosive flame-up which can cause bodily injury or death.

1. Open the lids and check that the side burner valve is turned off (Push control knob in and turn clockwise to ensure that it is in the "OFF" position), turn all burners not being used to the "OFF" position (push in and turn clockwise).
2. Turn main gas supply on.
3. Push the SIDE BURNER control knob in and turn to "HI".
4. Push in the ignition button.
5. If ignition does not occur in 5 seconds, turn the burner control(s) "OFF", wait 5 minutes and repeat the lighting procedure.
6. Verify Side Burner has ignited by visual inspection of a flame.

⚠ WARNING: If ignition still does not occur, turn control knob OFF and wait 5 minutes before manually lighting the burner with match. See Match Lighting instructions.



Match Lighting Your Grill Side Burner

Follow the simple steps listed below to match light the Side Burner of grill, in the event electronic ignition fails:

1. Open the lids and check that the side burner valve is turned off (Push control knob in and turn clockwise to ensure that it is in the "OFF" position), turn all burners not being used to the "OFF" position (push in and turn clockwise).

⚠ DANGER: Failure to open the lid while igniting the Side Burner, or not waiting 5 minutes to allow the gas to clear if the Side Burner does not light, may result in an explosive flame-up which can cause bodily injury or death.

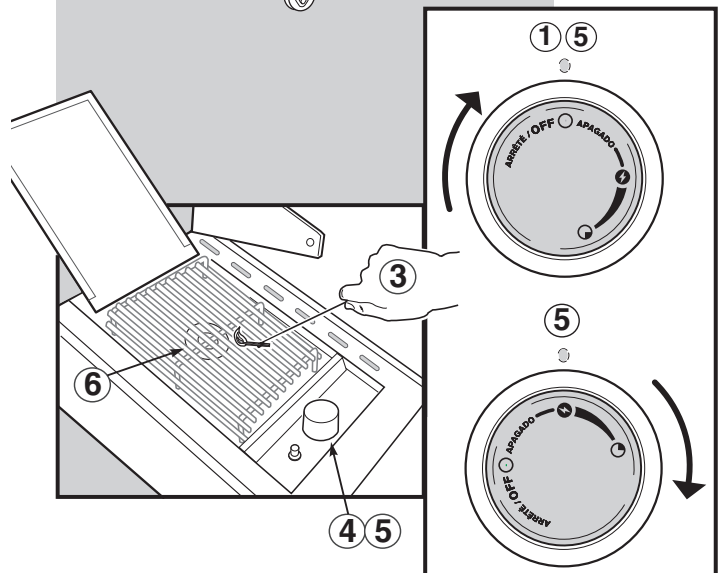
2. Turn main gas supply on.
3. Put match in the match holder and strike match.

⚠ WARNING: Do not lean over an open barbecue.

4. Push in Side Burner control knob and turn to "HI".
5. Insert match holder and lit match through trivet to ignite the Side Burner. If ignition does not occur in 5 seconds, turn the burner control(s) "OFF", wait 5 minutes and repeat the lighting procedure.

⚠ WARNING: If burner does not light, turn the Side Burner control knob to OFF and wait 5 minutes to let the gas clear before trying again to light burner.

6. Verify Side Burner has ignited by visual inspection of a flame.



NORMAL OPERATION

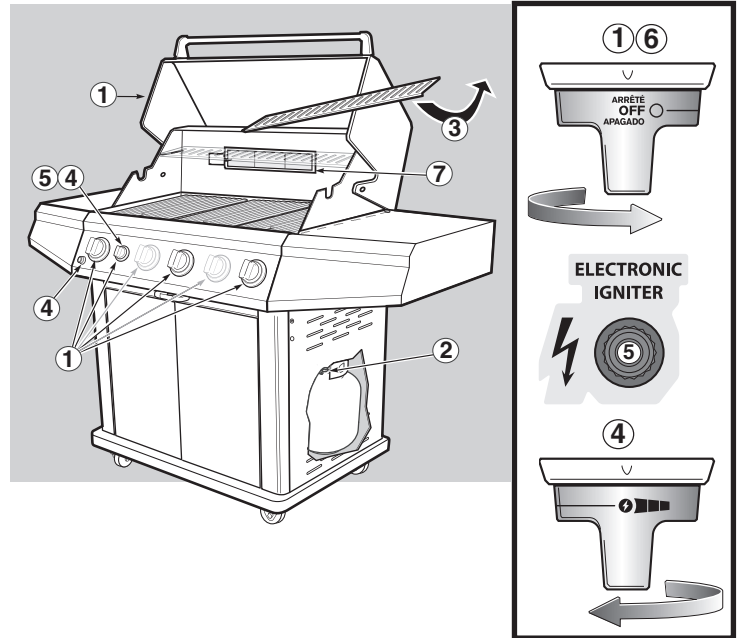
Rotisserie Burner Electronic Ignition

Follow the simple steps listed below to light the Rotisserie Burner of your grill:

- ⚠ **DANGER:** Failure to open the lid while igniting the Rotisserie Burner, or not waiting 5 minutes to allow the gas to clear if the Rotisserie Burner does not light, may result in an explosive flame-up which can cause bodily injury or death.
- ⚠ **CAUTION:** The Rotisserie Burner flame may be difficult to see on a bright sunny day.

1. Open the lid and make sure that all burners are in the "OFF" position.
2. Turn main gas supply on.
3. Remove warming rack. **NOTE:** Always remove the warming rack when using the rotisserie.
4. Push the ROTISSERIE BURNER control knob in and turn to "HIGH".
- 5) Push in the electronic ignition button. Continue to hold the ROTISSERIE BURNER control knob in until 20 seconds after the burner has ignited. Then release the ROTISSERIE BURNER control knob.
6. If ignition does not occur within 5 seconds, turn control knob "OFF" and repeat ignition step numbers 3 and 4.
7. Verify Rotisserie Burner has ignited by visual inspection of a flame. (The burner will glow red.)

- ⚠ **WARNING:** If ignition still does not occur, turn control knob OFF and wait 5 minutes before manually lighting the burner with match. See Match Lighting instructions.



Match Lighting Your Rotisserie Burner

Follow the simple steps listed below to match light the Rotisserie Burner of grill, in the event electronic ignition fails:

1. Open the lid and make sure that all burners are in the "OFF" position.

- ⚠ **DANGER:** Failure to open the lid while igniting the Rotisserie Burner, or not waiting 5 minutes to allow the gas to clear if the Rotisserie Burner does not light, may result in an explosive flame-up which can cause bodily injury or death.

2. Turn main gas supply on.
3. Remove warming rack. **NOTE:** Always remove the warming rack when using the rotisserie.
4. Put match in the match holder and strike match.

- ⚠ **WARNING:** Do not lean over an open barbecue.

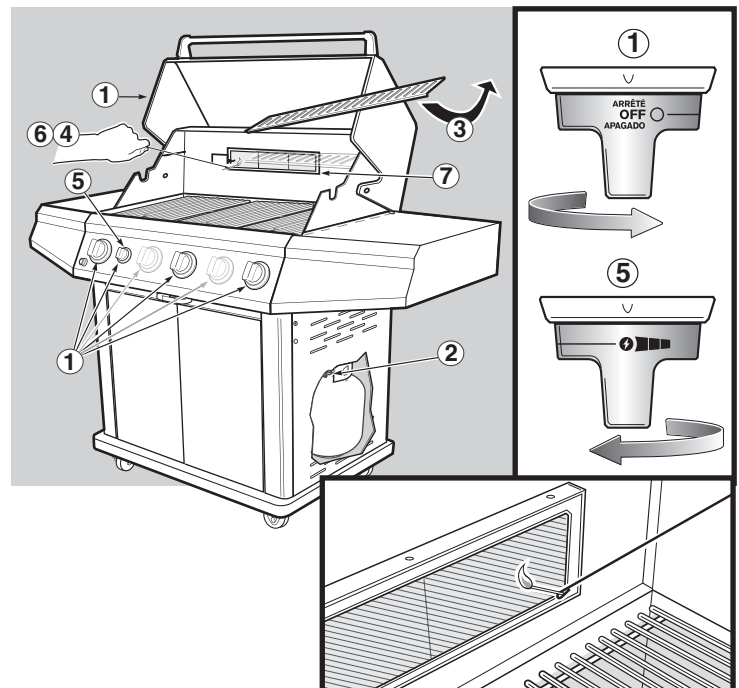
5. Push the ROTISSERIE BURNER control knob in and turn to "high". Continue to hold the ROTISSERIE BURNER control knob in until 20 seconds after the burner has ignited. Then release the ROTISSERIE BURNER control knob.
6. Hold match holder and lit match to the middle of the Rotisserie Burner to ignite.

- ⚠ **WARNING:** If burner does not light, turn the selected burner control knob to OFF and wait 5 minutes to let the gas clear before trying again to light burner(s).

7. Verify Rotisserie Burner has ignited by visual inspection of a flame. (The burner will glow red.)

- ⚠ **WARNING:** Never leave a grill unattended. This will guard against possible grease fires getting out of control. Grease fires can be severe and cause grill damage, property damage and bodily harm.

- ⚠ **WARNING:** Please remember that this is an outdoor gas cooking appliance. Many areas of the grill generate extreme heat. We have taken every precaution to protect you from the contact areas. However, it is impossible to isolate all high-temperature areas. Therefore, use good judgment and a certain degree of caution when grilling on this product. We



suggest a covered, protected hand during operation of grill. Do not move your grill when it is in operation or hot to the touch. Wait until your unit is turned off and properly cooled down before moving from place to place. Failure to follow this warning could result in personal injury.

NORMAL OPERATION

Using the Rotisserie

WARNINGS:

- ⚠ Read all instructions before using your rotisserie.
 - ⚠ This rotisserie is for outdoor use only.
 - ⚠ Remove motor and store in a dry place when not in use.
 - ⚠ Do not touch hot surfaces. Use barbecue mitts.
 - ⚠ This rotisserie is not for use by children.
 - ⚠ To protect against electrical hazards do not immerse cord, plugs, or motor in water or other liquids.
 - ⚠ Unplug the motor from outlet when not in use or before cleaning.
 - ⚠ Do not use rotisserie for other than intended use.
 - ⚠ Make sure motor is OFF before placing it on the motor bracket.
 - ⚠ Do not operate the rotisserie motor with a damaged cord or plug.
 - ⚠ Do not operate the rotisserie motor if it should malfunction.
 - ⚠ The rotisserie motor is equipped with a three prong (grounding) power cord for your protection against shock hazard.
 - ⚠ The power cord should be plugged directly into a properly grounded three prong receptacle. If use of an extension cord is required, be sure that it is a minimum 16 AWG, 3 wire well insulated cord, marked for outdoor use only and properly grounded.
 - ⚠ When using an extension cord, make sure it is not in contact with a hot or sharp surface.
 - ⚠ Outdoor extension cords should be marked with the letters "W-A" and a tag stating "Suitable for use with outdoor appliances".
 - ⚠ Do not cut or remove the grounding prong from the rotisserie motor power cord.
 - ⚠ Do not let cord hang over any sharp edge or hot surface.
 - ⚠ Do not expose to rain.
 - ⚠ To reduce the risk of electric shock, keep extension cord connection dry and off the ground.
 - ⚠ A short power cord is supplied to reduce the risk of tripping over the cord. Extension cords may be used, but caution must be taken to prevent tripping over the cord.
- In absence of local codes the rotisserie motor must be grounded electrically in accordance with the National Electrical Code, ANSI/NFPA 70, or Canadian Electrical Code, CSA C22.1.

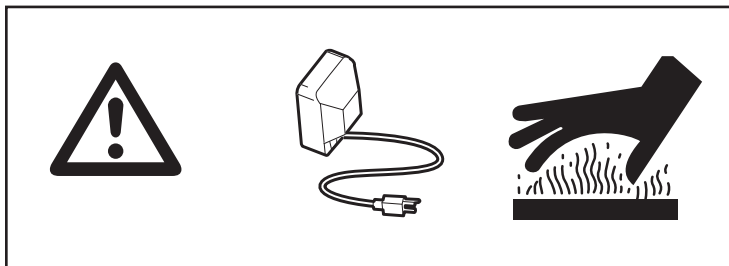
⚠ WARNING: Setup the rotisserie with food before lighting Rotisserie Burner.

Operating the Rotisserie

1. Remove rotisserie shaft from grill.
2. Loosen and remove right side bearing, the counterbalance and right side spit fork.
3. Push the rotisserie shaft through the center of the food.
4. Slide the right side spit fork back onto the shaft. Insert the tines of both spit forks into the food. The food should be centered on the shaft. Tighten spit fork thumb screws.
5. Place left side bearing (welded in place) groove into the left side spit rod mount cut-out.
6. Place the right side bearing onto the spit rod and insert the pointed end of the spit rod into the rotisserie motor.
7. Line up both the groove on the right side bearing with the right side spit rod mount cut-out, and slide the motor over the motor mounting bracket flange and push down. Note: The thumbscrew is only tightened when the rotisserie is not in use. Do not tighten the thumbscrew when using so that the spit rod can rotate freely.
8. The rotisserie shaft should rotate so that the heavy side of the meat or poultry rotates down to the bottom. Large cuts of meat may require the removal of the cook grates to allow full rotation of the spit rod. Note: Remount the food and/or use the counterbalance if necessary for better balance on the spit rod. The counterbalance can be mounted after Step 5 above.
9. Plug the motor in and turn it on.
10. Follow Lighting Instructions.

Cooking with the Rotisserie

- When using the rotisserie, the lid must be closed except when basting.
 - Meats (except poultry and ground meat) should be brought to room temperature before cooking. (20 to 30 minutes should be adequate for most foods. If frozen defrost completely before cooking.)
 - Tie meat or poultry with a string, if necessary, to make the shape as uniform as possible before putting it on the spit.
 - Remove cooking grates and warming rack to allow food to turn freely.
 - Follow Lighting Instructions for Rotisserie Burner under Lighting Your Grill section.
 - Set Rotisserie Burner on "med-high" based on outside air temperatures.
 - Place food within area of burner.
 - If you wish to save drippings for gravy, place a drip pan directly under the food on top of the heat distribution plates.
 - Food preparation steps are the same for rotisserie cooking as for regular cooking.
- NOTE: When using the Rotisserie Burner, grill thermometer will not reflect the temperature inside the cooking box.**



HELPFUL HINTS

Flare Ups

Any time you cook fatty foods over an open flame, you can expect flare ups. Flare ups are caused by the flash which occurs when the natural juices fall on the heat distribution plates. Controlled flare ups give foods their delicious outdoor flavor and appearance. Excessive flare ups may occur when your grill is not level or when cooking fatty foods such as spare ribs and chicken parts, especially if the cooking temperature is set too high. These flare ups should be controlled or your food will burn, although it will not burn nearly as much as you might think even in the direct flame.

⚠ WARNING: Do not spray or pour any liquid into the cooking box to control flare ups. Doing so will void your warranty and may damage the grill.

To help control flare ups, we suggest using leaner cuts of meats and trimming excess fat from the meats to be grilled. Also, your grill should be level. If flare ups do occur, use the "Low" control setting and relocate the meat on the cooking grid until the flare ups have subsided.

1. To prevent food from sticking to the grid, preheat the cooking surface with the hood down for 10 minutes. Place the meat product on the grid and allow it to remain there for at least half of the suggested grilling time.
2. It is unnecessary to keep flipping meat products—allow them to sear and seal in their juices, then halfway through the cooking period, with a spatula, flip the meat product onto its other side. When grilling chicken, always place the meat side on the grill first.
3. A light coating of oil applied to any of the meat products prior to grilling will also help. The use of a commercial spray cooking product is also helpful. This spray should only be used prior to lighting your grill but never during the cooking period. Use of spray cooking product can leave a black stain on areas of your cook grate. This is not harmful and does not affect cooking; however, if this becomes an appearance problem, the best way to remove the discoloration is by placing the cook grate in a self-cleaning oven during the clean cycle.

Storing Liquid Propane Gas Grills

After you have finished cooking and have cleaned your grill (see Maintenance section for cleaning) turn your grill off!

When the grill is to be stored indoors, the connection between the propane gas supply tank and the grill must be disconnected, and the tank removed from the grill and stored outdoors in a well-ventilated space. When the propane gas supply tank is not removed from the grill, the grill and the tank must be stored outdoors in a well-ventilated space.

Gauging Amount of Fuel in Liquid Propane Tank

To gauge the amount of propane fuel in your gas tank, (propane tank without gauge) the grill must be in operation. Place your hand at the top of the tank and slowly move it down the side until the tank feels cool to the touch of your hand. This will indicate the approximate amount of propane gas in your tank.

Gas Valve Orifice

⚠ WARNING: Any alteration made to the orifice(s) such as drilling it out, will void your warranty and may result in serious bodily injury or death, or in a fire or an explosion causing damage to property.

When Using the Rotisserie

⚠ WARNING: The rotisserie motor must be stored indoors when not in use. Do not leave it mounted on the grill.

1. When using the rotisserie, the hood must be closed except when basting.
2. Important: Always light rotisserie burner with the hood in the full open position.
3. It is important to evenly balance the meat on the spit rod. This can be difficult especially with a turkey. Proper balancing will lead to more even cooking and prolong the life of the rotisserie motor.
4. Pliers may be used to tighten thumb screws on meat forks when larger cuts of meat are being rotissed.
5. Use twine to secure the meat on the spit rod, especially fowl or other cuts of meat that require tying.

Rotisserie Bracket (Motor Bracket Side)

When mounting the spit rod motor onto the motor bracket (right side burner box), the ears of the motor bracket must be fully inserted into the spit motor slots. Accomplish this by sliding the spit motor down to the stops of the spit motor bracket. The spit rod should not be making surface contact with the slot in the spit motor bracket. See Assembly Guide for more information.

Shelf/Shelves

Do not use shelf or shelves as a cutting board. Clean with soap and water.

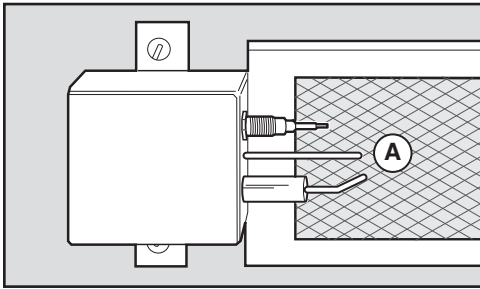
Moving Portable Grills

When your grill is not in use and you wish to relocate it, we recommend you push the grill by the side shelf.

⚠ CAUTION: If your grill is portable and you are using a gas tank, make sure you turn the appliance control knobs first, and then the gas supply tank. On permanent installations, it is strongly recommended that the inline field installed cutoff valve also be turned off when the grill is not in use.

TROUBLESHOOTING

PROBLEM	CHECK and CURE	IMPORTANT
IGNITION SYSTEM	Be sure that there is gas flow to the burners by attempting to match light your burners. If match lighting is successful, the problem lies somewhere in the ignition system and will need to be checked.	
MAIN GRILLING BURNERS	<p>⚠ CAUTION: Always turn the gas supply off at the tank before proceeding with any troubleshooting procedures.</p> <p>If, for any reason, the snap ignition fails to ignite the main grilling burner(s), repeat the lighting procedures described on the grill control panel.</p> <p>⚠ WARNING: The hood must be in the full open position any time you attempt to light your grill. Failure to open the hood could lead to delayed ignition resulting in bodily harm.</p> <p>After shutting off the main gas supply, remove the cook grate and heat distribution plates. Turn snap igniter counter clockwise and check if the electrode is sparking to the igniter tube. Try the snap igniter several times.</p>	If the main burner(s) still fails to ignite, make sure that there is gas flowing to the burner(s) by attempting to match light the burner(s). If the burners will match light, then proceed with the ignition checkout. If for any reason the igniter system is still inoperative, follow match lighting instructions.
BURNERS WITH POOR FLAME	<p>Check to be sure burner ports, shutter, end of the burner (venturi) and orifice(s) are free of any obstructions. Also, if your grill has been stored over a prolonged period of time, check to make sure no spiderwebs have been formed in the shutter end of the burner (venturi) or over orifices.</p> <p>On an LP grill, if an extremely low flame is present, or is hard to ignite, the flow-limiting device may have activated. To reset the flow limiter turn all burners control knobs to "high". Wait at least 1 minute. Turn burner control knobs "OFF", reconnect the regulator to the cylinder. Turn cylinder valve on slowly. Refer to Lighting Instructions.</p>	If you still have a poor flame, please contact dealer for further assistance or call Customer Service
ROTISSERIE BURNER ELECTRONIC IGNITION	With a fresh battery installed, push electronic ignition button and check if there is a spark between the two electrode tips. There needs to be a 1/8" to 3/16" gap between the electrode tips. If the gap is lesser or greater, carefully bend the electrode tips until you have the correct gap of 1/8" to 3/16" (A).	Verify that the battery is in good condition and installed correctly. If so, try a new battery. If for any reason the igniter system is still inoperative, follow match lighting instructions.
SIDE BURNER IGNITION DOES NOT WORK.	Does burner light with a match?	If match lights burner, check igniter (see Sideburner Maintenance).
If problems cannot be corrected by using these methods, please contact the Customer Service Representative in your area using the contact information on our web site. Log onto www.ducane.com.		



Yes, you paid a lot of money for your grill, but even an expensive grill doesn't clean and maintain itself, and you want it to look good and function properly. That's why this section of your manual is so important. This section gives you the information necessary to help you keep your grill looking new and working properly. Reading and following the instructions in this section will make your grill investment pay off for many years.

90-Day Grill Maintenance Schedule

It is recommended that every 90 days the following maintenance procedure is followed, but it is absolutely necessary to perform this maintenance at least once a year. By doing so you will extend the life of your gas grill.

Cleaning the Hood

The exterior of the hood should be maintained with a stainless steel cleaner. The inside of the hood may be cleaned with a solution of warm water and liquid detergent to remove any grease build-up.

⚠ WARNING: Do not lift the barbecue using the control panel as a handle. Lifting by the control panel can damage gas handling and electrical components. Damage to gas handling and electrical components can result in serious bodily injury or death and damage to property.

Cleaning the Stainless Steel Cook Grate

To keep your grill operating properly, the stainless steel cook grate should be cleaned regularly.

1. The stainless steel cook grate can be easily cleaned after the post-heating period. As soon as the 10 minutes post-heating is completed, turn the gas off. Open the lid with a covered hand and with the use of a brass brush, rub the grid surface.

The Ducane® stainless steel cook grate has been constructed of strong, sturdy stainless steel. You will find this cooking surface to be extremely durable while providing more heat directly to your cooking surface for faster, more economical cooking.

Cleaning the Heat Distribution Plates

Your stainless steel heat distribution plates should also be brushed down with the use of a brass long-handled brush.

Cleaning the Burner Box

Clean when cook grate and heat distribution plates are removed from burner box. Clean out any ash or deposits from burner box using warm soapy water and a soft cloth. Allow to dry before replacing all parts.

A small amount of grease may accumulate on the bottom of the burner box. It can be scraped up and discarded with a flat-blade putty knife. Use a soap and water solution to clean after you have scraped.

Prolonged grilling with the hood in the down position may cause a grease build up inside the hood that will begin to flake (this is not paint). If this develops, clean the inside of the hood with a warm water and soap solution. Be careful not to get the burner wet.

Preserve Your Cabinet, Control Panel and Shelf/Shelves

Your cabinet, control panel and shelves are made from stainless steel. To keep the stainless steel looking its best is a simple matter. Clean it with soap and water, rinse with clear water and wipe dry. It's that easy. We recommend the use of a diluted liquid dishwashing detergent and water solution. For stubborn particles, the use of a non-metallic brush can be used. Do not use a wire brush on your cooking shelf.

⚠ CAUTION: Do not use a wire brush or abrasive cleaners on the lid, cabinet and shelves of your grill as this will scratch the surface.

⚠ CAUTION: When cleaning surfaces be sure to rub in the direction of the grain to preserve the look of your stainless steel.

IMPORTANT

- Keep appliance area clear and free from combustible materials, gasoline and other flammable vapors and liquids at all times.
- Do not locate your grill in such a manner or otherwise obstruct the flow of combustion and ventilation air around the grill.
- As part of the normal maintenance schedule, check to be sure that all ventilation openings are free and clear from debris.

Grease Fires

The recommendations in the Maintenance section, concerning cleaning our grill, and in the Normal Operation section concerning preheating and post-heating your grill are extremely important for two reasons:

1. Keep your grill cooking at its best by keeping the cooking surfaces and heat transmitting components clean. Keeping your grill clean is the best way of keeping your grill cooking properly.
2. For safety reasons. A dirty grill is susceptible to grease fires. Depending on the amount of cooking, the types of food cooked, the amount of preheating and post-heating and the amount of cleaning performed on a grill, any grill can be susceptible to a grease fire. A build up of meat fats, cooking marinades, basting sauces, salts, etc. can ignite and cause a severe grease fire. If a grease fire were to occur on a Ducane® grill, flames would probably be seen under the burner box. A severe grease fire could lead to a burned hose or regulator which would allow gas to feed the fire and, obviously, make the fire worse. Any type of fire requires that the grill components (hose, regulators, LP tanks, etc...) involved be checked for continued safe operation. If a leak is suspected, the gas supply system (hose, manifold, tank, fittings, etc...) must be leak tested, using a soapy water solution, to verify the source of the leak. If no leak is found, then the problem was most likely a grease fire.

A grease fire can be severe enough to damage your grill and/or cause property damage and/or cause bodily harm. Ducane does not want this to happen and neither do you. Follow our cleaning recommendations to avoid grease fires.

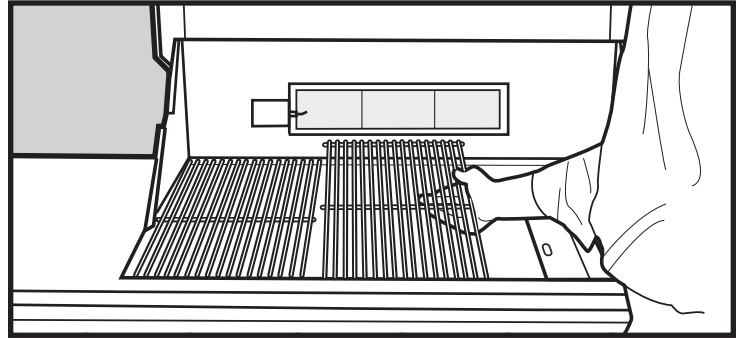
⚠ WARNING: Check the grease tray for grease build-up before each use. Remove excess grease to avoid a grease fire.

ANNUAL MAINTENANCE

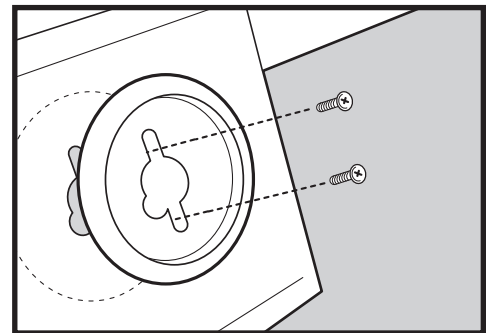
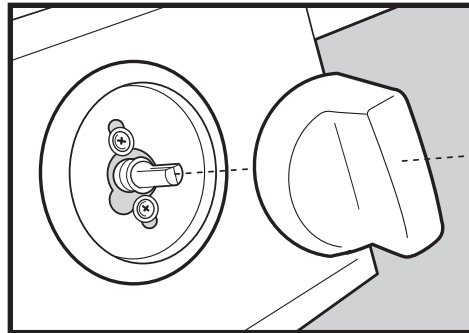
Inspection and Cleaning of the Spider/Insect Screens

To inspect the Spider/Insect screens.

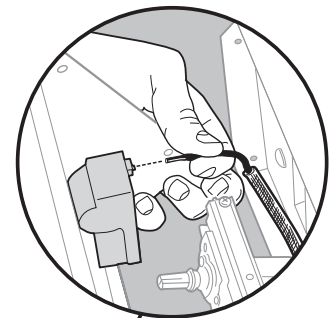
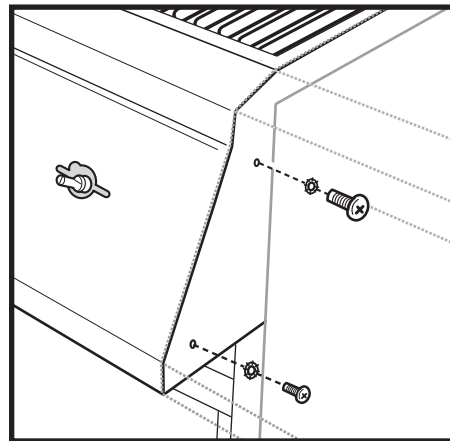
1. Turn "OFF" gas at source.
2. Remove the cooking grate and the heat distribution plates, exposing the burner tubes.



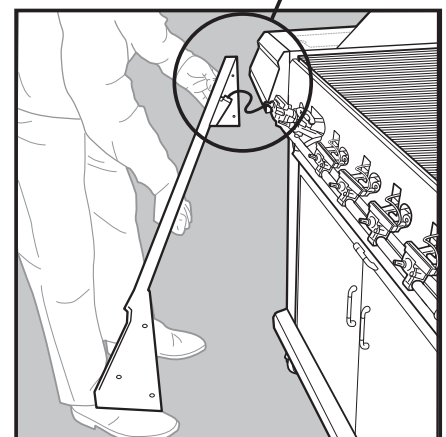
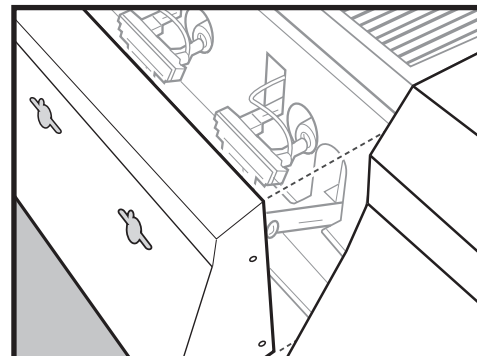
3. Remove the two(2) screws and washers holding each valve to the control panel and control knob bezel.



4. Loosen the control panel by removing two (2) screws on each end.

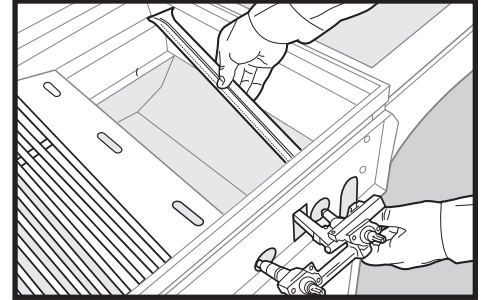
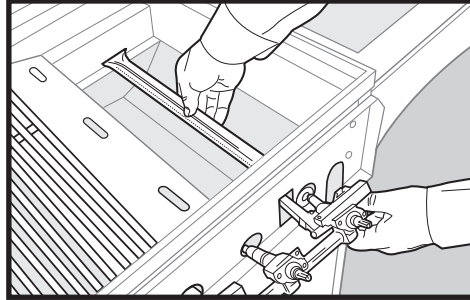


5. Pull control panel away from grill a few inches.
Disconnect wire from the electronic igniter for the rotisserie burner.



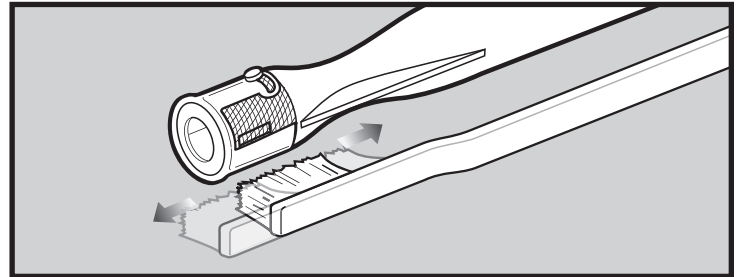
ANNUAL MAINTENANCE

You can now lift out a burner tube for inspection. If there is dust or dirt on the screens, brush the spider/insect screen(s), lightly, with a soft bristle brush, (i.e. an old toothbrush).



⚠ CAUTION: Do not clean the spider/insect screens with hard or sharp tools. Do not dislodge the spider/insect screens or enlarge the screen openings.

If the spider/insect screen becomes damaged or cannot be cleaned, call Ducane Customer Service at 1-800-382-2637 for replacement parts. To reassemble, reverse steps 2 through 5.



Cleaning the Spider/Insect Screens

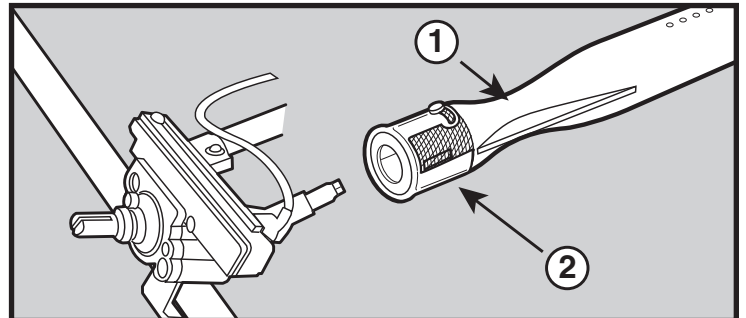
Your Ducane® gas barbecue, as well as any outdoor gas appliance, is a target for spiders and other insects. They can nest in the venturi section (1) of the burner tubes. This blocks the normal gas flow, and can cause the gas to flow back out the air shutter. This could result in a fire in and around the air shutters, under the control panel, causing serious damage to your barbecue.

The burner tube air shutter is fitted with a stainless steel screen (2) to prevent spiders and other insects access to the burner tubes through the air shutter openings.

We recommend that you inspect the Spider/Insect screens at least once a year. Also, inspect and clean the Spider/Insect screens if any of the following symptoms occur:

1. The smell of gas in conjunction with the burner flames appearing yellow and lazy.
2. Barbecue does not reach temperature.
3. Barbecue does not heat evenly.
4. One or more of the burners do not ignite.

⚠ DANGER: Failure to correct the above mentioned symptoms may result in a fire, which can cause serious bodily injury or death, and cause damage to property.

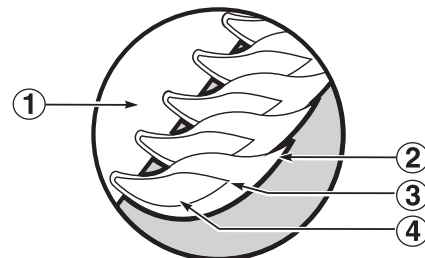


Main Burner Flame Pattern

The Ducane® gas barbecue burners have been factory set for the correct air and gas mixture. The correct flame pattern is shown.

1. Burner tube
2. Tips occasionally flicker yellow
3. Light blue
4. Dark blue

If the flames do not appear to be uniform throughout the burner tube, follow the main burner cleaning procedure.

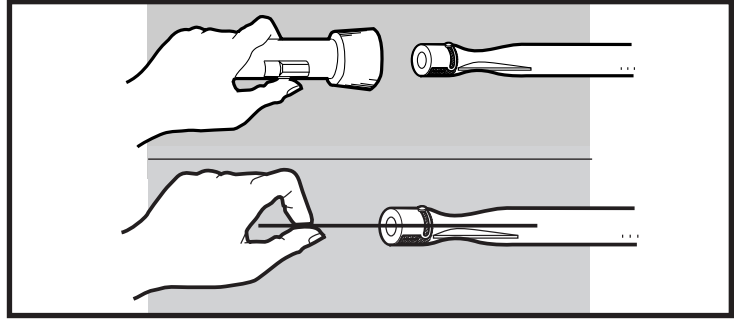


ANNUAL MAINTENANCE

Cleaning the Main Burner

- To clean the gas ports of your main burners use a stiff bristle brush to brush the openings.
- Refer to: **Inspection and Cleaning of the Spider/Insect Screens** for the removal of the burner tube.
- You can now lift the burner tube out of the burner box and inspect inside with a flashlight.
- Clean the inside of the burners with a wire (a straightened-out coat hanger will work). Check and clean the air shutter openings at the ends of the burners.
- Check and clean the valve orifices on the valves. Use a steel bristle brush to clean the outside of the burners. This is to make sure that all burner ports are fully open.

⚠ WARNING: Do not enlarge the burner ports when cleaning.

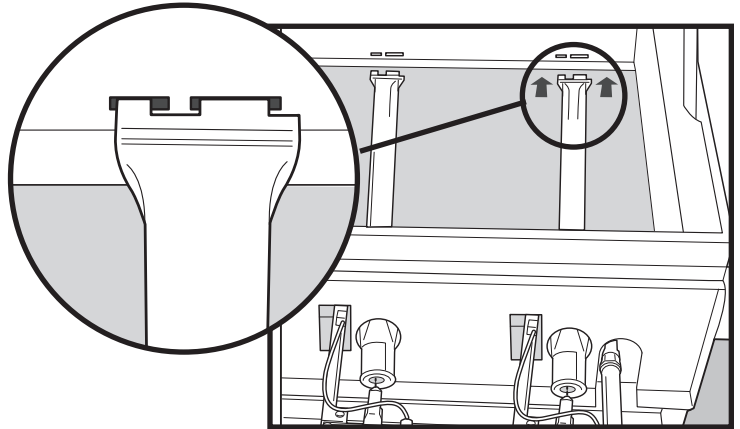
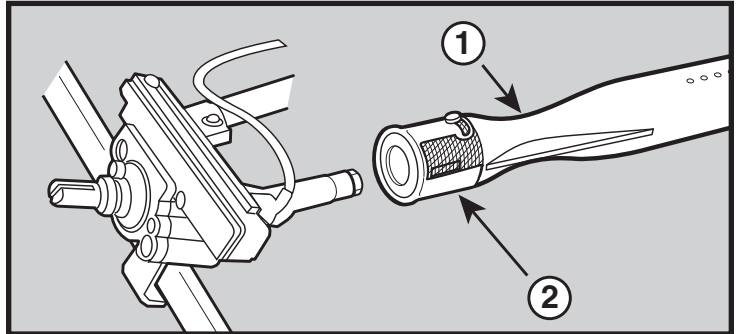
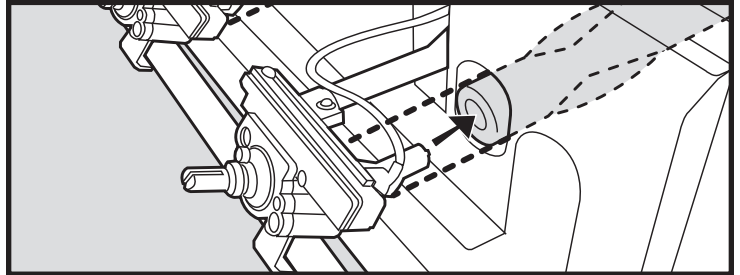


Replacing the Main Burners

1. Your Ducane® gas barbecue must be "OFF" and cool.
 2. Turn "OFF" gas at source.
 3. Remove the cooking grate and the heat distribution plates, exposing the burner tubes.
 4. Remove front panel knobs, bezels and igniter Module for electronic ignition for the burners.
 5. Then remove the front panel.
- See: **Inspection of the Spider/Insect Screens** for removal of the burner tube.
To reassemble, reverse steps 3 through 5 above.

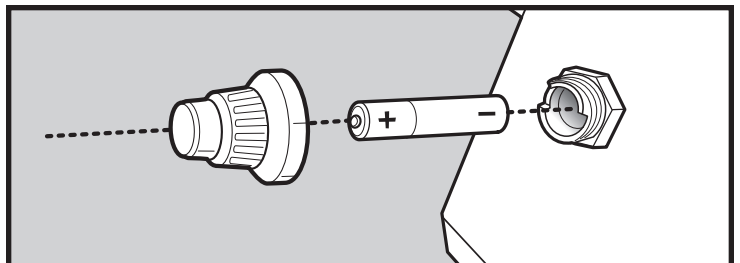
⚠ CAUTION: The burner openings (1) must be positioned properly over the valve orifices (2). Check proper assembly before fastening manifold/front panel in place.

⚠ WARNING: After reinstalling the gas lines, they should be leak checked with a soap and water solution before using the barbecue.



Battery Replacement of Rotisserie Burner Igniter

Unscrew the push button igniter and remove the old battery and replace with a new one. The shrink wrap must be removed from the battery before installation.



GUÍA DEL PROPIETARIO DEL ASADOR DE GAS LICUADO DE PROPANO

3400 & 5400

ENSAMBLAJE, - PG 3

#20208569

Atención al Cliente: 1-800-382-2637

**DEBE LEER ESTA GUÍA DEL PROPIETARIO
ANTES DE PONER A FUNCIONAR LA
BARBACOA DE GAS**

AVISO AL INSTALADOR:

Estas instrucciones deben permanecer con el propietario, quien las deberá guardar para un futuro uso.

⚠ PELIGRO

Si huele a gas:

1. Cierre el suministro de gas al artefacto.
2. Apague todas las flamas cerrando la valvula general de paso.
3. Abra la tapa.
4. Llame inmediatamente a la central de fugas o a su proveedor de gas.

Una fuga de gas puede provocar un incendio o explosión que puede resultar en lesiones corporales serias o la muerte, o daños a la propiedad.

**ESTE ARTEFACTO A GAS ESTÁ DISEÑADO
PARA USARSE SOLAMENTE AL AIRE
LIBRE.**

⚠ NOTA IMPORTANTE: No trate de encender este artefacto sin antes leer la sección “Instrucciones para encender la asador” de este manual.

⚠ PARA SU SEGURIDAD:

1. No almacene gasolina u otros fluidos flamables en la cercanía de su aparato.
2. Ningún cilindro de propano licuado que no esté conectado para su uso deberá almacenarse cerca de éste o cualquier otro artefacto doméstico.

⚠ ATENCIÓN: A este producto se le han realizado pruebas de seguridad y ha sido certificado para usarse en un país específico. Refiérase al país indicado en la parte externa del cartón de empaque.

Estas partes pueden ser componentes que transporten gas o lo quemem. Por favor póngase en contacto con el Representante de Atención al Cliente de Ducane en su área llamando al 1-800-382-2637 para solicitarle partes de repuesto Ducane genuinas.

⚠ ADVERTENCIA: No trate de reparar ningún componente que transporte o queme gas sin antes contactar a Ducane. Si no llegase a acatar esta advertencia, sus acciones podrían causar un fuego o una explosión que resulte en lesiones personales serias o la muerte o daños a la propiedad.

⚠ NOTA IMPORTANTE: Antes de poner a funcionar la asador, siga cuidadosamente todos los procedimientos en este manual para verificar que no existan fugas. Haga esto aun y cuando la asador haya sido ensamblada por el distribuidor.



SOLAMENTE PARA USO DOMÉSTICO

GUARDE ESTAS INSTRUCCIONES PARA USO FUTURO

20208569_ESNA LP
SPANISH

⚠ PELIGRO

De no seguir lo escrito bajo Peligros, Advertencias y Precauciones en este Manual de Dueño, puede resultar en serias lesiones al cuerpo, en muerte, en incendios o en explosiones causando daños a la propiedad.

⚠ ADVERTENCIAS

- ⚠ No levante la barbacoa utilizando el panel de control como asa. El hacerlo pudiera dañar los componentes eléctricos y de manejo del gas. Daños a los componentes eléctricos y de manejo del gas pudieran resultar en lesiones corporales graves e incluso la muerte, además de daños a la propiedad.
- ⚠ No almacenar el cilindro de propano líquido desconectado o el de repuesto debajo o cerca de la parrilla.
- ⚠ El ensamblaje incorrecto puede ser peligroso. Por favor seguir cuidadosamente las instrucciones en este manual.
- ⚠ Después de un tiempo almacenado o de estar en desuso, la parrilla de gas Ducane® debe ser revisada para fugas de gas y obstrucciones de hornillas antes de ser usada. Ver instrucciones en este manual para los procedimientos correctos.
- ⚠ No use la parrilla de gas Ducane® si hay una fuga de gas.
- ⚠ No use una llama para revisar si hay una fuga de gas.
- ⚠ El material combustible nunca debe estar a menos de 0.61 metros (24 pulgadas) de la parte de arriba, la parte de abajo, la parte de atrás, ni los lados de la parrilla de gas Ducane®.
- ⚠ No coloque ningún tipo de cubierta sobre la parrilla, ni nada inflamable sobre ella, ni en su espacio de almacenamiento debajo de la parrilla.
- ⚠ Su parrilla de gas Ducane® nunca debe ser usado por los niños. Sus partes accesibles pueden estar muy calientes. Mantenga a los niños alejados cuando la parrilla esté en uso.
- ⚠ Debe tener mucha precaución mientras use su parrilla de gas Ducane®; estará caliente mientras cocine o limpie la parrilla. Y nunca debe estar desatendida o ser movida cuando esté en uso.
- ⚠ En caso de que una hornilla se apague mientras esté en uso, cierre todas las válvulas de gas, abra la tapa y espere 5 minutos antes de intentar encender nuevamente la parrilla siguiendo las instrucciones para encender.
- ⚠ No use carbón ni piedras volcánicas en su parrilla de gas Ducane®.
- ⚠ No se incline sobre la parrilla abierta ni ponga las manos ni los dedos sobre el borde del área de cocinar o la caja de hornillas.
- ⚠ Si llegase ocurrir un fuego de grasa, apague todas las hornillas y deje la tapa cerrada hasta que se apague el fuego.
- ⚠ No aumente de tamaño los orificios de las válvulas ni de los tubos de hornillas mientras esté limpiando las válvulas o las hornillas.
- ⚠ Debe limpiarse a fondo la parrilla de gas Ducane® con cierta regularidad.
- ⚠ El gas propano líquido no es lo mismo que el gas natural. Intentar una conversión o usar gas natural en una unidad de gas propano líquido o usar gas propano líquido en una unidad de gas natural es peligroso y anulará su garantía.
- ⚠ No intente desconectar ningún acoplamiento de gas ni conexión de gas mientras la parrilla esté en uso.
- ⚠ Use guantes resistentes al calor mientras usa la parrilla.
- ⚠ Mantenga cualquier cable de corriente y manguera de combustible lejos de cualquier superficie caliente.
- ⚠ Los residuos y cualquier material producido por la combustión mientras se usa este producto contiene sustancias químicas reconocidas por el estado de California de causar cáncer, defectos de nacimiento u otras lesiones reproductivas.
- ⚠ No use esta parrilla sin que todas sus partes estén en su lugar. La unidad debe estar apropiadamente ensamblada siguiendo las instrucciones delineadas por la "Guía de Ensamblaje".
- ⚠ Los subproductos de la combustión producidos al usar este producto contienen sustancias químicas que son conocidas por el Estado de la California como causantes de cáncer, defectos de nacimiento, u otros daños reproductivos.
- ⚠ No construya este modelo de barbacoa en ninguna construcción en la que la barbacoa esté incorporada de manera fija o deslizable. El no acatar esta Advertencia pudiera resultar en un fuego o una explosión que pudiera causar daños a la propiedad y heridas corporales graves o la muerte.
- ⚠ Propuesta 65 Advertencia: El manipular los materiales de latón en este producto lo exponen al plomo, una sustancia química conocida por el estado de California como causante de cáncer, de defectos de nacimiento o de otros daños reproductivos. *(Lávese las manos después de manipular este producto.)*

SOLAMENTE PARA UNIDADES DE GAS PROPANO LÍQUIDO:

- ⚠ Use el regulador que viene incluido con su parrilla Ducane®.
- ⚠ No intente desconectar el regulador de gas o cualquier otro acoplamiento de gas mientras se esté usando la parrilla.
- ⚠ Una abolladura en el cilindro de propano líquido puede ser peligroso y debe ser revisada por su proveedor de propano líquido. No use un cilindro de propano líquido que tenga la válvula dañada.
- ⚠ Aunque su cilindro de propano líquido pueda aparentar estar vacío, puede que todavía contenga gas, y el cilindro debe ser transportado y almacenado correspondientemente.
- ⚠ Si ve, huele o escucha el sonido de gas escapándose del cilindro de propano líquido:
 1. Aléjese del cilindro de propano líquido.
 2. No intente corregir el problema usted mismo.
 3. Llame al cuerpo de bomberos.

INFORMACIÓN SOBRE SEGURIDAD

IMPORTANTE

Le instamos a que lea cuidadosamente este manual y a seguir las recomendaciones en el mismo. Esto le ayudará a asegurarse de disfrutar del funcionamiento de su nueva barbacoa de gas Duchan® de la manera más amena y sin problemas. También le aconsejamos guardar este manual para futuras consultas.

- ⚠ **ADVERTENCIA:** La barbacoa ha sido diseñada para funcionar usando el gas indicado en la placa de especificaciones. No trate de operar la barbacoa con otros gases. El no acatar esta advertencia pudiera conducir a un riesgo de fuego y a lesiones corporales, y anulará la garantía.
- ⚠ **PRECAUCIÓN:** POR SU SEGURIDAD: No almacene material inflamable alguno en los gabinetes debajo de la caja de los quemadores de la barbacoa o en los alrededores de la misma.
- ⚠ **ADVERTENCIA:** Asegúrese de que su tanque de propano licuado sea llenado por un expendedor de propano acreditado. Un tanque de propano licuado incorrectamente llenado o sobrellenado puede ser peligroso. Un tanque de propano licuado sobrellenado en combinación con el calentamiento del mismo (un día caluroso de verano, dejar el tanque expuesto al sol) puede causar que la válvula de alivio de presión del tanque libere gas propano dado que el incremento en temperatura causa que el propano se expanda. El gas propano liberado del tanque es inflamable y puede ser explosivo.
- ⚠ **ADVERTENCIA:** (a) No almacene ningún cilindro de reserva de propano licuado debajo o cerca de este artefacto; (b) nunca llene el cilindro más allá de un 80% de su capacidad; y (c) si las instrucciones (a) y (b) no se acatan al pie de la

- letra, un fuego letal o causante de lesiones puede ocurrir.
- ⚠ **ADVERTENCIA:** Mantenga a todo cordón de suministro eléctrico y a la manguera de suministro de combustible alejados de toda superficie caliente.
- ⚠ **No construya este modelo de barbacoa en ninguna construcción en la que la barbacoa esté incorporada de manera fija o deslizable. El no acatar esta Advertencia pudiera resultar en un fuego o una explosión que pudiera causar daños a la propiedad y heridas corporales graves o la muerte.**

PROPUESTA 65 DE CALIFORNIA

- ⚠ **ADVERTENCIA:** Al quemarse gas combustible para cocinar se generan ciertos subproductos que están en la lista de sustancias que el Estado de California sabe que causan cáncer o daños reproductivos. La ley de California exige que los negocios le adviertan a sus clientes sobre la potencial exposición a tales sustancias. Para minimizar la exposición a estas sustancias siempre opere esta unidad de acuerdo con el manual de uso y mantenimiento, y asegurándose de proporcionar una buena ventilación al cocinar con gas.

Para compras hechas en México

Si hubiese códigos locales que se aplicasen a los asadores de gas portátiles, usted deberá cumplir con la más reciente edición de NOM.

INSTALACIÓN PARRILLAS DE GAS PROPANO LÍQUIDO

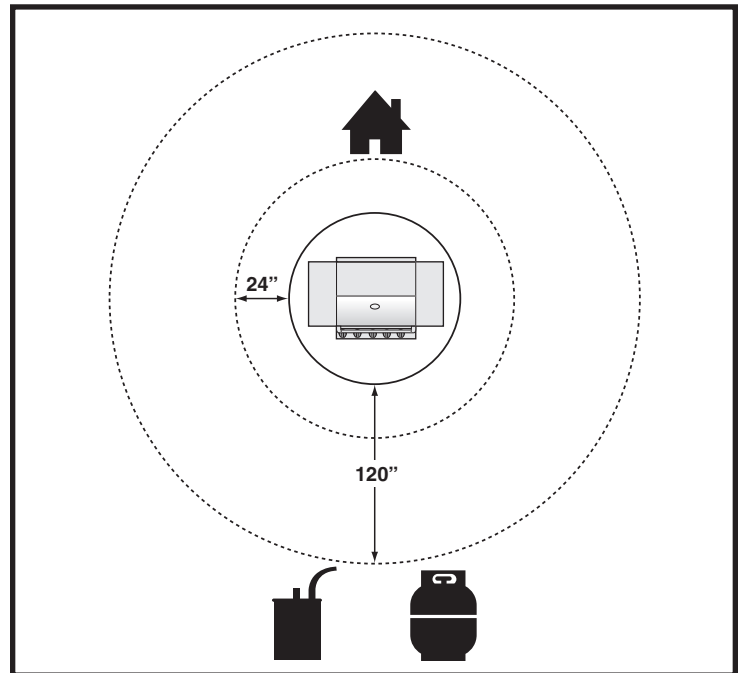
Ubicación de la barbacoa

- ¡La barbacoa de gas Ducane® ha sido fabricada para usarse solamente al aire libre! Cualquier barbacoa, sea de gas o de carbón, produce monóxido de carbono mientras está en funcionamiento, y no deberá permitirse que el gas se acumule en un área confinada. Nunca haga funcionar esta barbacoa dentro de una edificación o cualquier área cerrada como su casa, garaje o vehículo recreativo.
- Al ubicar un sitio para la barbacoa, escoja una ubicación segura al aire libre alejada de superficies inflamables o combustibles y fuera de áreas de circulación. Ducane® recomienda insistentemente una separación de 24" (60 cms) de las superficies combustibles y de 120" (3 metros) de cualquier recipiente de combustible o cilindro de propano.
- Consulte sus códigos locales para determinar si existen posibles restricciones adicionales sobre la ubicación u operación de la barbacoa.
- En la medida que la barbacoa utiliza el gas, ésta requiere de aire para quemarlo apropiadamente. No ubique la barbacoa de tal manera que obstruya el flujo de aire de combustión y ventilación alrededor de la barbacoa.
- En lo posible, ajuste la posición de la barbacoa de manera de reducir la probabilidad de que el viento sople sobre la misma.

- ⚠ **PRECAUCIÓN:** Nunca opere la barbacoa debajo de una construcción aérea combustible.
- ⚠ **PRECAUCIÓN:** Esta barbacoa no está diseñada para instalarse o fijarse a un vehículo recreativo. Tampoco lo está para instalarse en un bote.
- ⚠ **ADVERTENCIA:** Por su seguridad, no almacene gasolina u otros líquidos o vapores inflamables cerca de éste o cualquier otro artefacto doméstico. El no acatar esta advertencia pudiera conducir a un fuego, explosión o daños corporales.

Ensamblaje

Asegúrese de que la barbacoa sea ensamblada correctamente. Las instrucciones detalladas de ensamblaje están empacadas con cada barbacoa indicando los procedimientos de ensamblaje específicos para cada modelo. Siga cuidadosamente estas instrucciones para asegurar que la barbacoa sea ensamblada de manera correcta y segura.



Nivelación

Para una operación correcta de la barbacoa, es importante que sea colocada sobre una superficie a nivel.

Tipo de gas

- La barbacoa de propano licuado ha sido construida en la fábrica para que ésta use solamente propano licuado. Nunca trate de operar la barbacoa con otros gases diferentes a los indicados en la placa de especificaciones de la misma.
- El regulador suministrado con su barbacoa de gas propano licuado esta ajustado a una presión de 11" de columna de agua y sólo sirve para usarse con gas propano. Al operar la barbacoa con un cilindro de gas propano licuado de 20 lb., deben usarse este regulador y el ensamble de la manguera suministrados de fábrica.
- Si se hiciese necesario reemplazar la manguera y/o el regulador, se requerirán de partes especificadas por la fábrica.
- Por razones de seguridad y diseño, la conversión de una barbacoa Ducane® que opera con gas propano licuado a una que opere con gas natural requiere cambiar la totalidad del sistema de suministro de gas de la misma. Si esto fuese necesario, consulte a su distribuidor para mayor información.

Tipo de tanque de propano licuado

Para barbacoas de gas propano licuado, el cilindro de suministro de gas propano licuado a usarse debe estar construido y marcado de acuerdo con las especificaciones para cilindros de gas propano licuado del Departamento del Transporte (DOT) de los EE.UU. o la Norma Nacional del Canadá, CAN/CSA-B339, "Cilindros, esferas y tubos para el transporte de productos peligrosos". Este tanque debe estar provisto con una válvula de cierre que termine en una salida de la válvula del tanque de gas propano licuado. La válvula debe estar equipada con una conexión Tipo 1 que cumpla con la más reciente edición de ANSI Z21.58.

Ducane recomienda el uso de cilindros fabricados por las empresas Manchester y Worthington, con una capacidad de 47.6 libras de agua. Otros cilindros pudieran ser aceptables para su uso con este artefacto siempre y cuando sean compatibles con el mecanismo de retención del artefacto (vea la Ilustración para detallar el punto de contacto del mecanismo de retención).

Instalación del tanque de propano licuado

El tanque de propano se instala a través de la parte trasera del gabinete en la base. Levante el tanque de propano licuado, colóquelo dentro del gabinete y apóyelo en la abertura de la base. Posicione la abertura de la válvula viendo en dirección hacia la parte trasera de la barbacoa.

IMPORTANTE

Si hubiese códigos locales que aplicasen a barbacoas de gas portátiles, usted deberá acatarlos. La instalación debe cumplir con los códigos locales o, en la ausencia de estos, bien sea con el Código Nacional de Gas Combustible, ANSI Z223.1/NFPA 54, el Código de Instalaciones de Gas Natural y Propano, CSA B149.1.

- Asegúrese de que el área debajo del panel de control y la bandeja inferior no tengan desechos que pudiesen obstruir el flujo de aire de la combustión o la ventilación.
- Las áreas alrededor del cilindro de gas propano líquido deben estar limpias y sin basura.

Manipulación del gas propano licuado

El gas propano deberá manipularse y almacenarse con cuidado. Le sugerimos que, cuando vaya a llenar su tanque, le solicite a su expendeddor de gas propano que le dé un curso corto en el manejo y almacenaje de tanques de gas propano. La mayoría de los expendedores de gas no tendrán problema alguno en mostrarle como manipular y almacenar su tanque. ¡Asegúrese de nunca almacenar el tanque dentro de la casa! Manténgalo afuera al aire libre en un área bien ventilada en posición parada y alejada de la barbacoa de gas.

Instalación portátil

Se logra una portabilidad total cuando el cabezal de la barbacoa se monta sobre un carro portátil. Cuando se instala así, es necesario utilizar un tanque de propano licuado de 20 lb. de capacidad. No utilizar ningún otro tamaño. El sujetador del tanque está diseñado para sólo dar cabida a este tamaño de tanque.

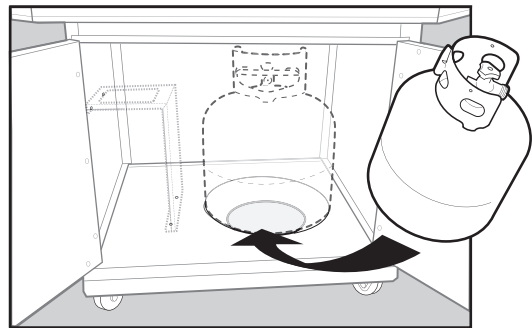
IMPORTANTE

El sistema del tanque de propano licuado debe:

1. Tener un dispositivo de alivio de seguridad que se comunique directamente con el espacio de vapor en el tanque.
2. Estar armado para el retiro del vapor.
3. Incluir un collar sobre el tanque que proteja la válvula del mismo.
4. Estar equipado con un dispositivo de protección contra el sobrellenado (OPD, por su sigla en inglés). El tanque debe tener 12 pulgadas de diámetro y 18½ pulgadas de alto.

COMPROBACIÓN DE FUGAS DE GAS

Antes de operar la barbacoa y después de haberla recargado, revise con cuidado para estar seguro de que todas las conexiones estén herméticamente selladas y no existan fugas de gas. La manera más sencilla de realizar esto es mezclando un poco de agua jabonosa, tal como lo haría para lavar los platos. Abra el suministro de gas y aplique con un cepillo un poco de la mezcla alrededor de las conexiones. Si se forman burbujas nuevas, ¡usted tiene una fuga!



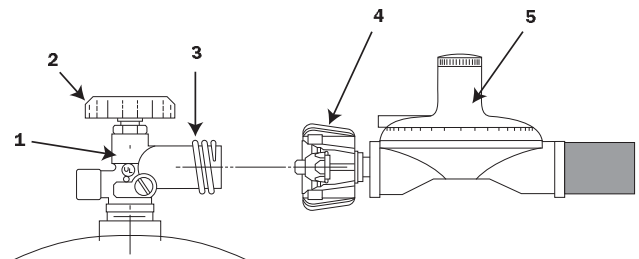
Acoplamiento conector tipo 1

Todos los reguladores de las barbacoas Ducane de gas propano licuado están equipados con una conexión para tanques aprobada por UL según la más reciente edición de ASI Z21.58. Esto requerirá de un tanque de propano licuado equipado de manera similar con una conexión tipo 1 en la válvula del tanque. Este acoplamiento tipo 1 permite realizar una conexión rápida y totalmente segura entre la barbacoa de gas y el tanque de propano licuado. Elimina la posibilidad de fugas a causa de una conexión POL floja. El gas no fluirá del tanque a menos que el acoplamiento tipo 1 esté totalmente encajado dentro del acoplamiento.

⚠ ADVERTENCIA: El acoplamiento de conexión tipo 1 suministrado con la barbacoa no debe ser reemplazado por un tipo diferente de sistema de conexión entre la barbacoa y el tanque. Su eliminación resultará en la pérdida de la garantía y, si se realiza de manera incorrecta, pudiera resultar en lesiones corporales graves o la muerte, o en fuego o en una explosión causando daños a la propiedad.

⚠ ADVERTENCIA: No permita que la manguera del regulador se enrolle hacia arriba en dirección al fondo de la caja de los quemadores.

La conexión de la válvula del cilindro de propano provista con esta barbacoa incorpora los siguientes cuatro importantes elementos de protección listados:



ACOPLADOR DE CONEXIÓN TIPO 1

1	VÁLVULA TIPO 1
2	RUEDA DE MANO
3	HILO EXTERNO
4	TUERCA TERMO SENSIBLE
5	REGULADOR DE PROPANO

Ensamblaje manual

1. Asegúrese de que la válvula del cilindro y todas las válvulas del artefacto estén en la posición "OFF" (cerradas).
2. Al conectar el ensamble de la válvula del regulador/quemador a la válvula del cilindro, gire la tuerca plástica grande en dirección de las agujas del reloj hasta que se detenga.
3. El gas no fluirá a menos que la tuerca plástica esté completamente embutida..
4. SÓLO APRIETE A MANO.

Desconexión del cilindro

1. Gire la válvula del cilindro y todas las válvulas del artefacto a la posición "OFF" (cerradas).
2. Gire la tuerca plástica grande en dirección contraria a las agujas del reloj para desconectar el acoplamiento.

⚠ ADVERTENCIA: No use una llave para apretar la conexión. El usar una herramienta pudiera dañar el acoplamiento del regulador y causar una fuga que pudiera resultar en lesiones

Cierre activado por temperatura

La tuerca plástica grande en el ensamble del regulador está diseñada en coordinación con una válvula de retención en la válvula del cilindro para cerrar el flujo de gas al quedar expuesta a temperaturas entre 240 y 300°F. En caso de fuego o de rotura de la manguera, uno de los elementos de protección funcionará para controlar o parar el caudal de gas proveniente del cilindro de propano. Nunca trate de usar equipos dañados.

Revisión de Fugas de Gas

Nunca use un fósforo o una llama para detectar una fuga. Use agua enjabonada o una solución de prueba. Aplique la solución a todos los puntos de conexión y observe cuidadosamente si se producen burbujas, que indicarán que hay una fuga de gas. Si detecta una fuga, cierre la válvula principal de suministro de gas y vuelva a ajustar las conexiones e intente el procedimiento de nuevo, y revise nuevamente si hay una fuga de gas.

En los modelos de gabinete, realice esta operación antes de colocar el tanque en su compartimiento de almacenaje. Tras colocarlo en el compartimiento, vuelva a verificar que no se hayan perturbado las conexiones del tanque.

⚠ ADVERTENCIA: Nunca use una llama abierta mientras busca fugas de gas. Ello puede resultar en lesiones corporales serias o muerte, o en un fuego o explosión que cause daños a la propiedad.

- Acuérdesse de tratar su tanque portátil de propano líquido con cuidado cuando lo lleve a su proveedor para llenarlo. Evite dejarlo caer y golpearlo contra objetos puntiagudos o afilados. Los tanques de propano líquido están fuertemente contruidos, pero una serie de golpes severos puede dañar el envase.
- Cuando transporte el tanque a su proveedor local de gas propano, asegúrese que la válvula esté bien ajustada y que la tapa protectora esté en su lugar. Fije el tanque en un lugar seguro en posición vertical donde no se pueda mover ni cambiar de posición mientras sea transportado.
- Si piensa hacer varias diligencias o hacer las compras, llene su tanque de propano en la última parada antes de ir a casa. Acuérdesse de volver a fijar el tanque en su posición vertical donde no pueda moverse, y cuando llegue a casa saque el tanque de su vehículo. Nunca deje un tanque portátil de propano líquido dentro de su vehículo donde pueda sobrecalentarse por el sol.
- Su proveedor local con gusto le recomendará medidas adicionales de seguridad.

Almacenar Tanques de Propano Líquido con Seguridad

Sea porque esté en pleno viaje en su vehículo recreativo o porque esté buscando un lugar donde almacenar el tanque de gas propano líquido que le proporciona combustible a su parrilla, tenga en mente estas medidas de seguridad de cómo se almacena un tanque portátil de gas propano líquido. No almacene los tanques — estén llenos o no — dentro de su casa, el área de vivienda de un vehículo recreativo (R.V.), un garaje, un sótano o un taller. No es muy probable que el gas propano líquido escape del tanque, pero si lo hiciera, estaría expuesto a chispas proveniente de automóviles, herramientas eléctricas u otros aparatos domésticos. Cuando transporte o almacene su tanque LP, debe estar en posición vertical. Nunca ponga el tanque LP en su costado, esté lleno o vacío. Nunca almacene un tanque de repuesto cerca de su parrilla.

⚠ PRECAUCIÓN: Nunca transporte o cambie la posición de su parrilla o el tanque de la parrilla sin antes haber cerrado la válvula manual de su tanque de propano líquido.

⚠ ADVERTENCIA: Recomendamos llenar su cilindro de gas propano licuado con un distribuidor de gas propano autorizado que tenga un encargado debidamente calificado y que llene el tanque en base a peso. EL LLENADO INCORRECTO ES PELIGROSO

corporales graves o la muerte, o en fuego o una explosión causantes de daños a la propiedad.

Control del exceso de flujo

El ensamble del regulador de propano incorpora un dispositivo limitador de flujo diseñado para suministrar un caudal de gas adecuado a la barbacoa, pero que a la vez controla cualquier caudal excesivo.

Cambios rápidos en la presión pueden disparar el dispositivo limitador de flujo. Si se abre la válvula del cilindro para permitir el flujo de gas mientras esté abierta la válvula de un quemador, el cambio brusco en presión puede ocasionar que el dispositivo se active.. El dispositivo se mantendrá cerrado hasta que la presión se iguale. Esto deberá ocurrir en un lapso de 5 segundos. Si la llama permanece baja, cierre las válvulas de gas, espere cinco segundos y vuelva a encender un quemador a la vez.

Para asegurar que esto no cause dificultades al encender la barbacoa, siga las siguientes instrucciones:

1. Asegúrese de que todas las válvulas están en la posición OFF (cerradas).
2. Abra la válvula del cilindro y espere 5 segundos.
3. Siga las instrucciones de encendido.

IMPORTANTE

Al conectar o reemplazar cualquier tubería de gas con roscas o conexiones, todas las juntas deben sellarse con compuesto sellador a prueba de fugas aprobado para usarse con gas natural y gas propano. Tras realizar las conexiones, revise todas las juntas para comprobar que no existen fugas aplicando agua jabonosa con una brocha.

El mejor lugar para almacenar un tanque de propano líquido es en un lugar seguro, en la sombra, al aire libre detrás de su casa o de su garaje pero fuera del alcance de los niños. El propano líquido no se evaporará porque está en un envase fuerte y sellado. Tampoco disminuirá de ninguna manera su capacidad de ser usado como combustible si es almacenado al aire libre por todo un año

⚠ ADVERTENCIA: Cuando no esté conectado a su parrilla, cualquier tanque LP debe ser almacenado en posición vertical en un lugar fresco, con sombra, ventilado, en un lugar al aire libre lejos de su parrilla o cualquier otra fuente de calor. Si esta información no es seguida exactamente, puede ocurrir un incendio mortal o serias lesiones al cuerpo.

Llenar un Tanque de Propano

Es extremadamente importante que su tanque LP sea llenado apropiadamente cuando lo lleve a llenar. Asegúrese de usar un proveedor de LP reconocido y pregúntele (si es posible, observe) cómo llena el tanque y cómo sabe cuando parar. Un tanque LP llenado de más puede ser peligroso. La manera apropiada para llenar un tanque es por peso. El tanque vacío debe ser colocado sobre la pesa y ésta debe ser recalibrada para que solamente permita que el 80% del peso de propano LP pueda ser introducido al tanque. Cuando se llega a este peso debe cesar el llenado del tanque. Si el tanque no está completamente vacío, el punto recalibrado de la pesa debe cambiar para tomar en cuenta que el propano LP todavía está en el tanque.

⚠ ADVERTENCIA: Un tanque LP (propano) se considera llenado de más si contiene más de 80% de LP por peso de la capacidad total de propano LP. Un tanque de propano LP incorrectamente llenado o llenado de más puede ser peligroso. Si esta información no es seguida exactamente, puede ocurrir un incendio mortal o serias lesiones al cuerpo. Si un tanque es llenado de más y el tiempo sobrecalienta el tanque de LP (un día caluroso, el tanque dejado expuesto al sol o almacenado dentro de la casa), aumenta la presión interna causada por la expansión del propano que a su vez ocasiona que el gas LP se libere a través de la válvula de escape del tanque. La válvula de escape es un dispositivo requerido para todo tanque de 20 libras por el Departamento de Transporte para prevenir fallas catastróficas del tanque debido a presión excesiva. El gas LP librado del tanque es inflamable y puede ser explosivo.

OPERACIÓN NORMAL

Al usar la barbacoa por primera vez

Al encender la barbacoa por primera vez, es aconsejable mantener el (los) Quemador(es) Principal(es) encendido(s) a fuego alto ("HI") durante 20 minutos con la tapa cerrada y luego apagarlos (posición "OFF"). Esto templará la barbacoa.

Encendido de la barbacoa

⚠ **ADVERTENCIA:** Es importante, cada vez que vaya a usar la barbacoa, inspeccionar la longitud completa de la manguera de la línea de gas. Si es evidente que sufre de excesiva abrasión o desgaste, o está cortada, la manguera debe reemplazarse antes de poner a funcionar el artefacto.

⚠ **PELIGRO:** Cuando se activa el "control de exceso de flujo"; una pequeña cantidad de gas sigue fluyendo a los quemadores. Después de cerrar la válvula del tanque y las perillas de control del quemador, espere por lo menos 5 minutos para que el gas se disipe antes de tratar de encender la barbacoa. El no hacer esto podría resultar en una llamarada explosiva que pudiera causar lesiones corporales serias o la muerte.

⚠ **PELIGRO:** Siempre que trate de encender la barbacoa, asegúrese de que la tapa esté en la posición totalmente abierta. El no abrir la tapa pudiera conducir a una ignición retrasada, la cual pudiera resultar en lesiones corporales graves o la muerte, o en fuego o explosión que cause daños a la propiedad.

⚠ **ADVERTENCIA:** Las perillas de control del quemador deberán estar en la posición OFF (apagadas) antes de abrir la válvula del tanque de propano licuado. Si no están en la posición OFF (apagada) cuando abra la válvula del tanque de propano licuado, el "control de exceso de flujo" se activará y limitará el flujo de gas desde el tanque de propano licuado. Si esto llegase a ocurrir, cierre la válvula del tanque de propano y las perillas de control de los quemadores. Empiece de nuevo.

Revise la lista de partes o contacte a un distribuidor autorizado para el ensamble de manguera de repuesto correcto. Para los modelos de barbacoas con bases con gabinetes, será necesario ir detrás de la barbacoa para revisar la manguera.

Funcionamiento del encendido rápido

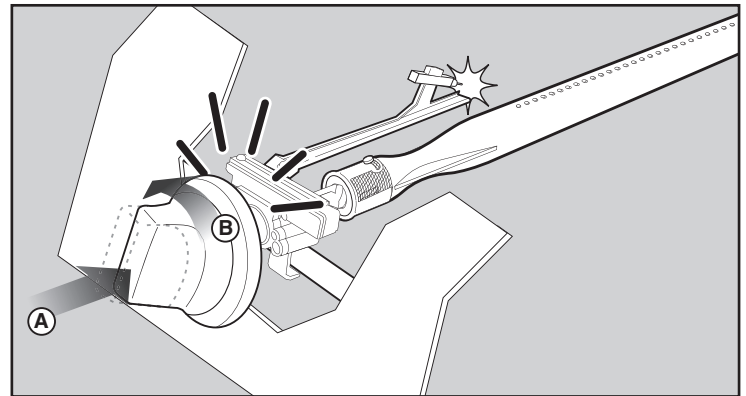
⚠ **Siempre abra la tapa antes encender los quemadores**

Cada perilla de control tiene su propio electrodo de encendido incorporado a ella. Para generar una chispa debe presionar la perilla de control (A) y girarla a "START/High" (encendido/fuego alto) (B).

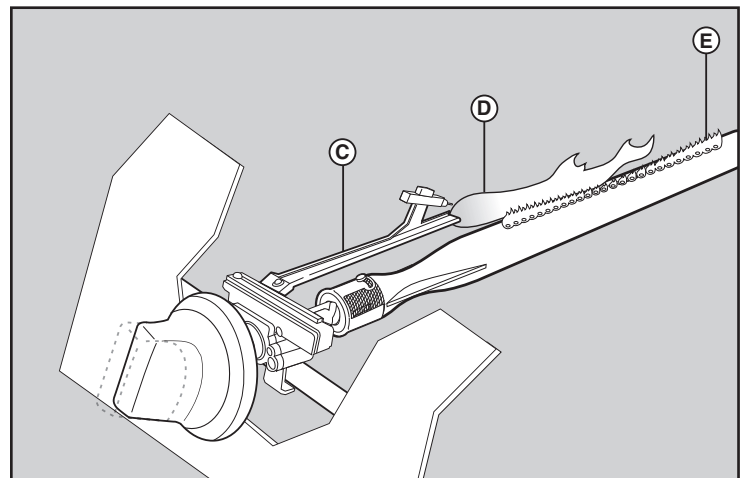
Esta acción generará un flujo de gas y una chispa al tubo de encendido del quemador (C). Oirá un "chasquido" proveniente del encendedor. También verá una llama anaranjada de 3" - 5" de largo proveniente del tubo encendedor del quemador (D).

Mantenga presionada la perilla de control durante dos segundos adicionales después del "chasquido". Esto permitirá que el gas fluya a todo lo largo del tubo quemador (E) y se asegure el encendido.

Verifique que el quemador esté encendido viendo a través de las parrillas de cocción. Deberá ver una llama. Si el encendedor no se encendió al primer intento, presione la perilla de control y gírela a la posición "OFF" (apagada).



⚠ **ADVERTENCIA:** Si el quemador no se enciende, gire la perilla del control del quemador a la posición "OFF" y espere 5 minutos para permitir que el gas se disipe antes de tratar de nuevo o de tratar de encenderlo con un cerillo.



OPERACIÓN NORMAL

Precalentar la Parrilla

Es muy importante que su parrilla esté a temperatura antes de comenzar a usarla. Después de encender, cierre la tapa y precaliente la parrilla por 10 minutos en "HIGH" (alto). Esto asegurará que el área de cocina esté lo suficientemente caliente para una barbacoa apropiada.

⚠ ADVERTENCIA: Nunca deje su parrilla desatendida. Esto guardará contra posibles incendios de grasa que puedan salir fuera de control. Los incendios de grasa pueden ser severos y causar daños a la parrilla, a la propiedad y lesiones al cuerpo.

Cocinando con Tapa Abierta o Cerrada

Cocinando con la tapa abierta o cerrada depende de su preferencia personal. Se recomienda cocinar con la tapa cerrada si le gusta cocinar a temperaturas máximas, "chamuscando". Este método también apresurará el proceso de cocinar y le dará un sabor más robusto, ahumado, del aire libre. Si prefiere cocinar más lento, con menos llama, le aconsejamos el método con la tapa abierta.

Siempre recomendamos que cocine con la tapa CERRADA si está en un lugar de mucho viento y en un clima frío. Su parrilla Ducane® ha sido diseñada y construida para darle la mayor flexibilidad mientras cocina. Sea creativo, intente diferentes maneras de cocinar sobre su parrilla para determinar qué le queda mejor; no hay una manera "correcta" ni "equivocada" para cocinar, sino diferentes estilos.

⚠ ADVERTENCIA: Por favor acuérdesese que éste es un aparato de gas para cocinar al aire libre. Muchas áreas de la parrilla

generan tremendas temperaturas. Hemos tomado todas las precauciones para protegerlos de las áreas de contacto. Sin embargo, es imposible aislar todas las áreas de alta temperatura. Así que use su buen juicio y cierta cautela mientras cocina sobre esta parrilla. No mueva su parrilla cuando esté en uso o que esté caliente; espere hasta que haya apagado la parrilla y se haya enfriado antes de moverla de un lugar a otro. De no seguir esta advertencia podría resultar en una lesión personal.

Poscalentamiento de la Parrilla

Para ayudar a limpiar la rejilla y para terminar de vaporizar los jugos, inicie un poscalentamiento de su parrilla por 10 minutos, suba la temperatura de las hornillas a "HIGH" (alto) y cierre la tapa.

⚠ PRECAUCIÓN: No cubra las rejillas durante el poscalentamiento.

Después del poscalentamiento de su parrilla gire las perillas de control a la posición "OFF" (apagada).

Apagar Tanque de Propano

Después de que se enfríe la caja, la válvula del tanque de propano también debe cerrarse. Si no quiere esperar hasta que se enfríe la caja use su mano cubierta para cerrar la válvula del tanque de propano.

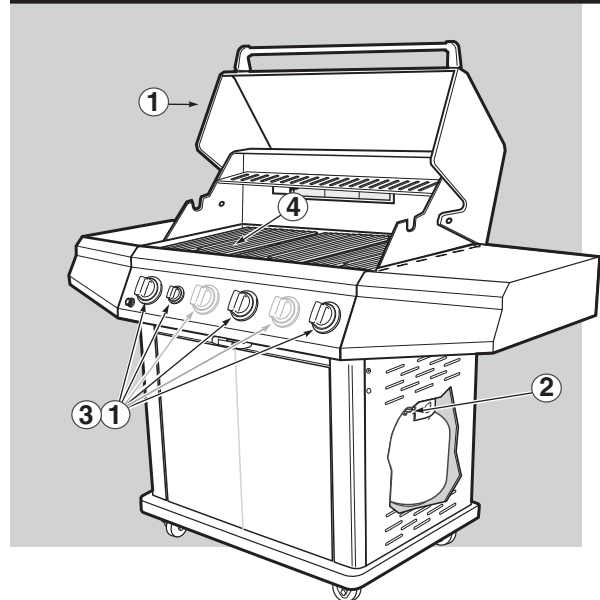
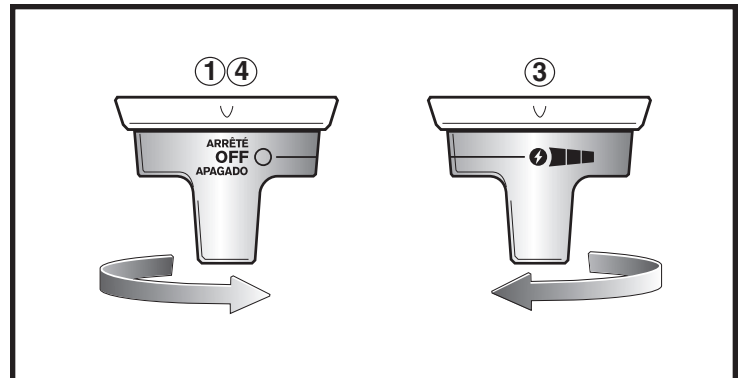
Hornilla Principal Encender Automáticamente

Nota: Cada perilla de control de encendido rápido crea una chispa que va del electrodo de encendido al tubo quemador de encendido. Al presionar la perilla de control y girarla a "START/HI" (encendido/fuego alto), usted genera la energía para la chispa. Esto encenderá cada quemador individual.

Siga estos simples pasos para encender su(s) Hornilla(s) Principal(es) de su parrilla:

1. Abra la tapa y asegure que todas las hornillas estén en su posición de "OFF" (apagada).
2. Abra el flujo principal de gas
3. Presione la perilla de control y gírela hacia "START/HI" (encendido/fuego alto) hasta que oiga el chasquido del encendedor - mantenga a la perilla de control en dicha posición durante dos segundos. Esta acción hará que el encendedor genere una chispa y encienda el tubo piloto y luego el quemador principal.
4. Verifique que el quemador esté encendido viendo a través de las parrillas de cocción. Deberá ver una llama. Si el encendedor no se encendió al primer intento, presione la perilla de control y gírela a la posición "OFF".

⚠ ADVERTENCIA: Si la ignición todavía no ocurre gire la perilla de control a su posición "OFF" (apagada) y espere 5 minutos antes de intentar encender la hornilla manualmente con un fósforo. Vea las Instrucciones para Encender con Fósforo.



OPERACIÓN NORMAL

Encender con Fósforos la Hornilla Principal de la Parrilla

Siga estos simples pasos a continuación para encender con fósforos su Hornilla(s) Principal(es) de su parrilla en caso de no encender automáticamente:

⚠ ADVERTENCIA: (Asegure que hayan pasado 5 minutos antes de intentar encender.) Asegure que la tapa esté completamente abierta antes de cualquier intento de encender la parrilla. Si no abre la tapa completamente, puede llevar a una ignición retrasada que causará serias lesiones al cuerpo, muerte, incendio o una explosión causando daños a la propiedad.

⚠ ADVERTENCIA: No se incline sobre la parrilla mientras esté abierta.

1. Abra la tapa y asegure que todas las hornillas estén en su posición de "OFF" (apagada).

⚠ PELIGRO: De no abrir la tapa completamente mientras intente encender la hornilla lateral o de no esperar 5 minutos para permitir que el gas se disperse, si no se enciende la hornilla principal puede resultar en una explosión que causará serias lesiones al cuerpo o muerte.

2. Abra el flujo principal de gas

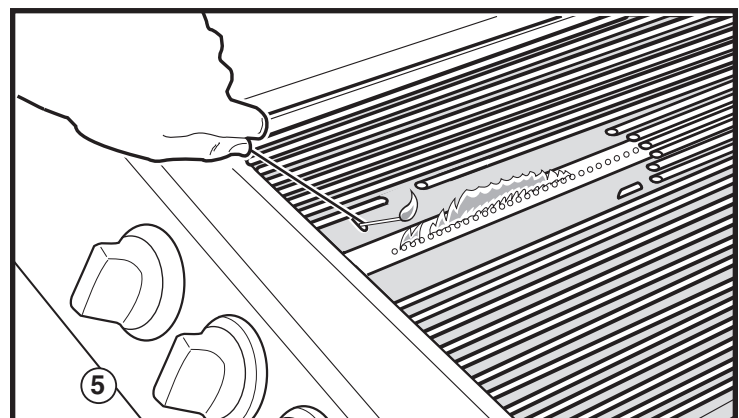
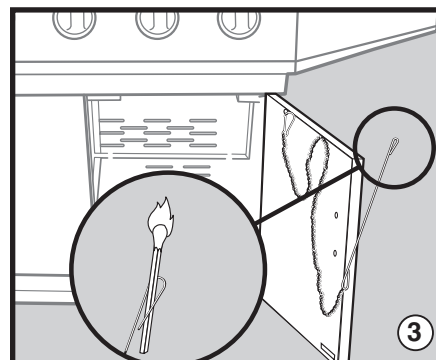
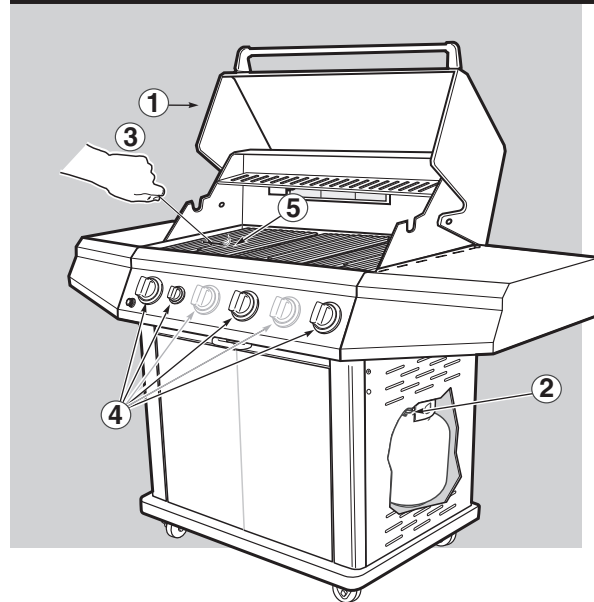
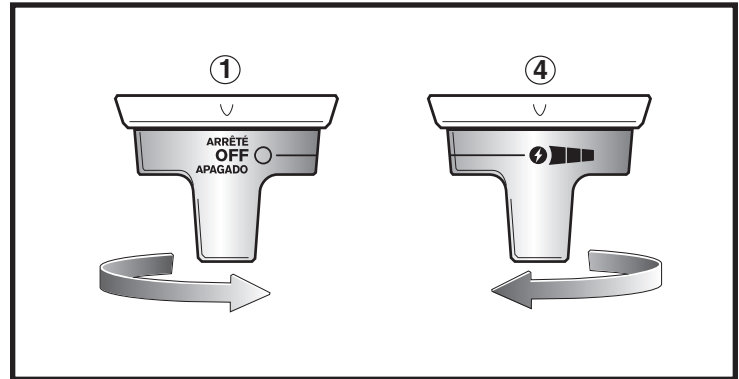
3. Poner el fósforo en su estuche y encenderlo.

4. Presione la perilla de control de la Hornilla Principal seleccionada y gire hasta indicar "HIGH" (alto).

5. Inserte el estuche del fósforo con el fósforo encendido a través de la rejilla de cocinar y encienda la HORNILLA PRINCIPAL seleccionada.

⚠ ADVERTENCIA: Si la hornilla no se enciende, gire la perilla de control seleccionada a su posición de "OFF" (apagada) y espere 5 minutos para que el gas se disperse antes de volver a intentar encender la(s) hornilla(s).

6. Verifique que la(s) Hornilla(s) Principal(es) haya encendido, inspeccionando la llama visualmente.



OPERACIÓN NORMAL

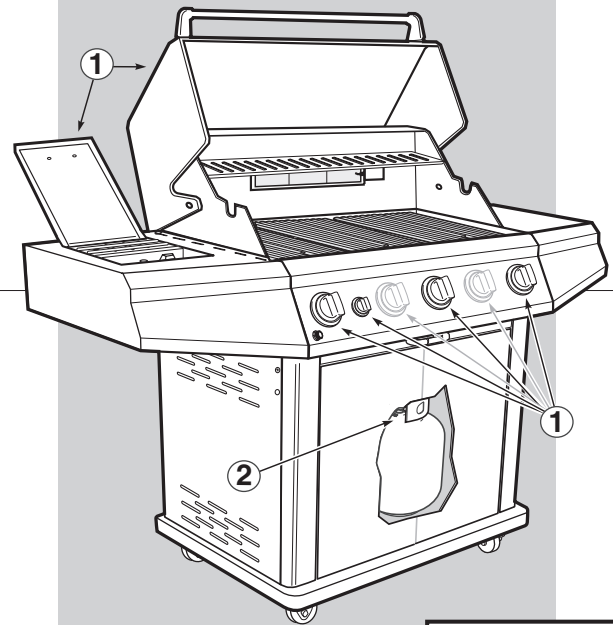
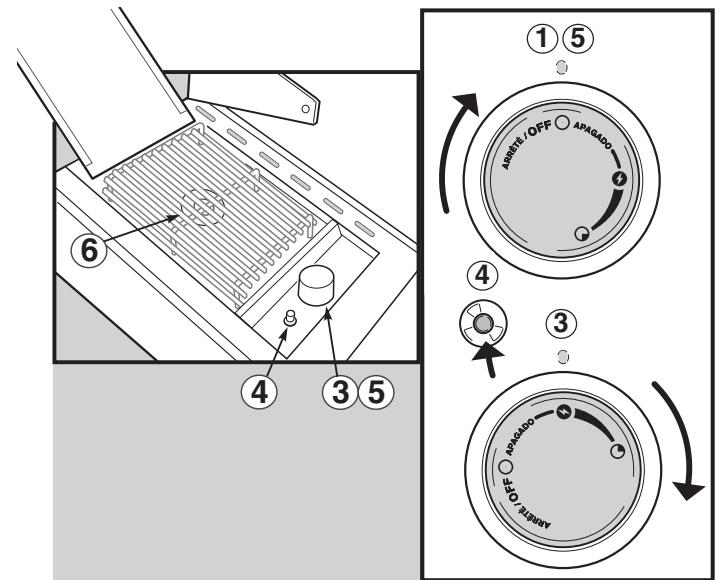
Cómo encender el quemador lateral

Para encender el Quemador Lateral de la barbacoa, siga los pasos sencillos indicados a continuación:

⚠ PELIGRO: El no abrir la tapa mientras se esté encendiendo el quemador lateral, o no esperar 5 minutos para que el gas se disipe si el quemador lateral no se enciende, puede resultar en una llamarada explosiva, la cual puede causar lesiones corporales serias o la muerte.

1. Abra la tapa del quemador lateral. Verifique que la válvula del quemador lateral esté cerrada (empuje la perilla de control hacia adentro y gírela en dirección de las agujas del reloj para asegurar de que esté en la posición "OFF"), coloque todos los quemadores que no se estén usando en la posición "OFF" (empujando hacia adentro y girando en la dirección de las agujas del reloj).
3. Presione la perilla de control del QUEMADOR LATERAL hacia adentro y gírela a "HI" (fuego alto).
4. Pulse el botón rojo de encendido varias veces, de manera que haga "clic" cada vez.
5. Si no se encendiese en 5 segundos, gire el control del quemador(es) a la posición "OFF" (apagado), espere 5 minutos y repita el procedimiento de encendido.
6. Verifique que cada Quemador Lateral se haya encendido comprobando visualmente la existencia de la llama.

⚠ ADVERTENCIA: Si el quemador aún no se enciende, gire la perilla del control a la posición OFF (cerrada) y espere 5 minutos antes de proceder a encender manualmente con un cerillo. Vea las instrucciones de "Encendido con cerillos".



Encendido con cerillo del quemador lateral de la barbacoa

En caso de que el encendido electrónico fallase, siga los sencillos pasos indicados a continuación para encender con un cerillo el Quemador Lateral de la barbacoa.

1. Abra la tapa del quemador lateral. Verifique que la válvula del quemador lateral esté cerrada (empuje la perilla de control hacia adentro y gírela en dirección de las agujas del reloj para asegurar de que esté en la posición "OFF"), coloque todos los quemadores que no se estén usando en la posición "OFF" (empujando hacia adentro y girando en la dirección de las agujas del reloj).

⚠ PELIGRO: El no abrir la tapa mientras se esté encendiendo el quemador lateral, o no esperar 5 minutos para que el gas se disipe si el quemador lateral no se enciende, puede resultar en una llamarada explosiva, la cual puede causar lesiones corporales serias o la muerte.

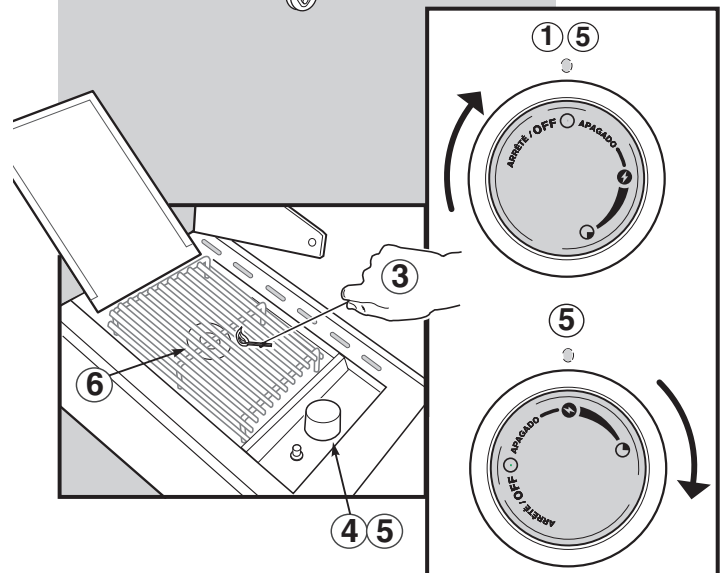
2. Abra el suministro de gas en la tubería de suministro.
3. Coloque el cerillo en el portacerillos y enciéndalo.

⚠ ADVERTENCIA: No se incline sobre la barbacoa abierta.

4. Presione la perilla de control del Quemador Lateral y gírela a la posición "HI" (fuego alto).
5. Inserte el portacerillo junto con el cerillo a través del trípode para encender el Quemador Lateral. Si no se encendiese en 5 segundos, gire el control del quemador(es) a la posición "OFF" (apagado), espere 5 minutos y repita el procedimiento de encendido.

⚠ ADVERTENCIA: Si el quemador no se enciende, gire la perilla del control del Quemador Lateral a la posición OFF (apagado) y espere 5 minutos para permitir que el gas se disipe antes de tratar de nuevo.

6. Verifique que el Quemador Lateral se haya encendido comprobando visualmente la existencia de la llama.



OPERACIÓN NORMAL

Hornilla del Sistema Rotativo Encender Electrónicamente

Siga estos simples pasos a continuación para encender su Hornilla del Sistema Rotativo de su parrilla:

- ⚠ **PELIGRO:** De no abrir la tapa completamente mientras intente encender la hornilla lateral o de no esperar 5 minutos para permitir que el gas se disperse, si no se enciende la hornilla lateral puede resultar en una explosión que causará serias lesiones al cuerpo o muerte.
- ⚠ **PRECAUCIÓN:** La llama del Sistema Rotativo puede ser difícil de ver en un día muy soleado.

1. Abra la tapa y asegure que todas las hornillas estén en su posición de "OFF" (apagada).
2. Abra el flujo principal de gas
3. Quite la rejilla de calentamiento. **NOTA: Al usar el rostizador, siempre retire la rejilla de calentamiento.**
4. Presione la perilla de control de la HORNILLA DEL SISTEMA ROTATIVO hacia dentro y gire hasta que éste indique "HIGH" (alto).
5. Pulse el botón de encendido electrónico. Continúe presionando la perilla hasta 20 segundos después de que haya encendido la hornilla. Entonces suelte la perilla del SISTEMA ROTATIVO.
6. Si la hornilla no enciende en 5 segundos gire la perilla de control a "OFF" (apagada) y repita el paso número 3 y 4.
7. Verifique que la Hornilla del Sistema Rotativo haya encendido manualmente viendo la llama. (La hornilla tendrá un resplandor rojo.)

- ⚠ **ADVERTENCIA:** Si la ignición todavía no ocurre gire la perilla de control a su posición "OFF" (apagada) y espere 5 minutos antes de intentar encender la hornilla manualmente con un fósforo. Vea las Instrucciones para Encender con Fósforo.

Encender con Fósforos su Sistema Rotativo

Siga estos simples pasos a continuación para encender con fósforos su Sistema Rotativo de su parrilla en caso de no encender el sistema electrónico:

1. Abra la tapa y asegure que todas las hornillas estén en su posición de "OFF" (apagada).
- ⚠ **PELIGRO:** De no abrir la tapa completamente mientras intente encender la hornilla del Sistema Rotativo o de no esperar 5 minutos para permitir que el gas se disperse, si no se enciende la hornilla lateral puede resultar en una explosión que causará serias lesiones al cuerpo o muerte.

2. Abra el flujo principal de gas
3. Quite la rejilla de calentamiento. **NOTA: Siempre retire la rejilla de calentamiento al usar el rostizador.**
4. Poner el fósforo en su estuche y encenderlo.

- ⚠ **ADVERTENCIA:** No se incline sobre la parrilla mientras esté abierta.

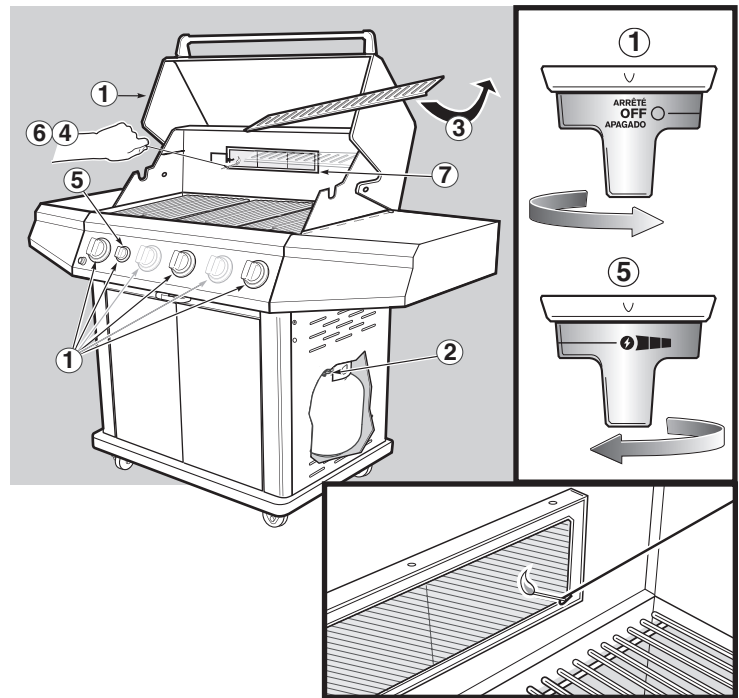
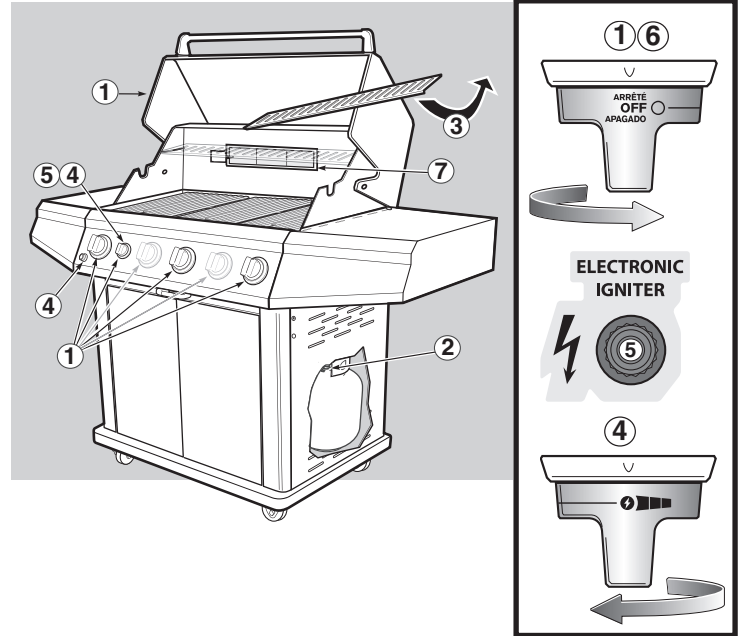
5. Presione la perilla de control de la HORNILLA DEL SISTEMA ROTATIVO hacia dentro y gire hasta que indique "HIGH" (alto). Continúe presionando la perilla hasta 20 segundos después de que haya encendido la hornilla. Entonces suelte la perilla del SISTEMA ROTATIVO.
6. Sostenga el estuche del fósforo con el fósforo encendido en el medio de la hornilla del Sistema Rotativo para encenderlo.

- ⚠ **ADVERTENCIA:** Si la Hornilla no se enciende, gire la perilla de control a su posición de "OFF" (apagada) y espere 5 minutos para que el gas se disperse antes de volver a intentar encender la hornilla.

7. Verifique que la Hornilla del Sistema Rotativo haya encendido manualmente viendo la llama. (La hornilla tendrá un resplandor rojo.)

- ⚠ **ADVERTENCIA:** Nunca deje su parrilla desatendida. Esto guardará contra posibles incendios de grasa que puedan salir fuera de control. Los incendios de grasa pueden ser severos y causar daños a la parrilla, a la propiedad y lesiones al cuerpo.

- ⚠ **ADVERTENCIA:** Por favor acuérdesese que éste es un aparato de gas para cocinar al aire libre. Muchas áreas de la parrilla



generan tremendas temperaturas. Hemos tomado todas las precauciones para protegerlos de las áreas de contacto. Sin embargo, es imposible aislar todas las áreas de alta temperatura. Así que use su buen juicio y cierta cautela mientras cocina sobre esta parrilla. No mueva su parrilla cuando esté en uso o que esté caliente; espere hasta que haya apagado la parrilla y se haya enfriado antes de moverla de un lugar a otro. De no seguir esta advertencia podría resultar en una lesión personal.

Usando el Sistema Rotativo

ADVERTENCIAS:

- ⚠ Lea las siguientes instrucciones antes de usar el Sistema Rotativo.
- ⚠ Este Sistema Rotativo es solamente para su uso al aire libre.
- ⚠ Saque el motor y almacene en un lugar seco cuando no esté en uso.
- ⚠ No toque superficies calientes. Use guantes.
- ⚠ El Sistema Rotativo no es para que lo utilicen los niños.
- ⚠ Para protegerse en contra de accidentes eléctricos, no coloque el cable, enchufe o el motor en agua o ningún tipo de líquido.
- ⚠ Desenchufe el motor cuando no esté en uso o mientras lo esté limpiando.
- ⚠ Asegúrese que el motor esté APAGADO antes de colocarlos sobre el soporte.
- ⚠ No use el motor del Sistema Rotativo si el cable o el enchufe están dañados.
- ⚠ No use el motor del Sistema Rotativo si está fallando.
- ⚠ El motor del Sistema Rotativo está equipado con un enchufe polarizado para su protección contra la corriente eléctrica.
- ⚠ El cable debe ser enchufado directamente en un enchufe polarizado con tres entradas. Si es necesario usar una extensión, asegure que sea no menos de un AWG 16, cable 3 denominado SOLAMENTE PARA SU USO AL AIRE LIBRE y polarizado.
- ⚠ Cuando esté usando una extensión, asegúrese que el cable no esté en contacto con superficies calientes o afiladas.
- ⚠ Los cables de extensión "Para su Uso al Aire Libre" deben estar marcados con las letras "W-A" y una etiqueta anunciando "apto para uso con aparatos diseñados para el aire libre".
- ⚠ No corte o quite el diente polarizante del enchufe del cable del motor del Sistema Rotativo.
- ⚠ No deje que el cable quede colgando sobre una superficie caliente o afilado.
- ⚠ No exponer a la lluvia.
- ⚠ Para minimizar el riesgo de electrochoque, mantenga la conexión del cable de extensión seco y no sobre la tierra.
- ⚠ Un cable corto es incluido para reducir el riesgo de tropezar sobre ella.
Los cables de extensión pueden ser usados, pero deben tomar precauciones para no tropezar sobre ello.
- ⚠ En la ausencia de códigos locales, el motor del Sistema Rotativo debe estar eléctricamente conectado a tierra de acuerdo con el Código Nacional Eléctrico, ANSI/NFPA 70 o el Código Eléctrico de Canadá, CSA C22.1.

- ⚠ **ADVERTENCIA:** Tenga la comida ya preparada y montada en el Sistema Rotativo antes de encender la hornilla del Sistema Rotativo.

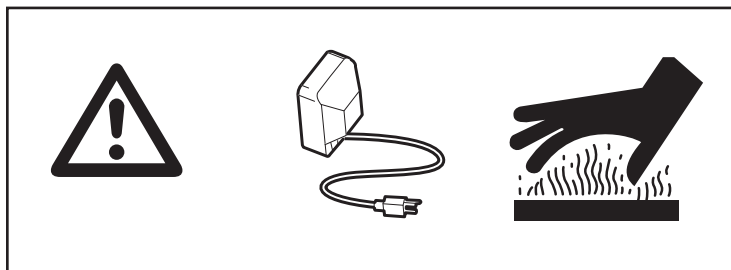
Operando el Sistema Rotativo

1. Saque la barra del Sistema Rotativo de la parrilla.
2. Afloje y saque el cojinete del lado derecho, contra el peso y el gancho para la carne del lado derecho.
3. Introduzca la barra a través del centro de la comida.
4. Vuelva a introducir el gancho derecho para la carne en la barra. Inserte los dos pinchos que pertenecen a los dos ganchos en la carne. La carne debe ubicarse en el centro de la barra. Apriete los tornillos de los ganchos.
5. Ponga el surco del cojinete izquierdo (el que está soldado en su lugar) dentro de la abertura para la montadura de la barra (lado izquierdo).
6. Coloque el cojinete del lado derecho en la barra e inserte el lado puntiagudo de la barra dentro del motor.
7. Alinee el surco sobre el cojinete derecho y la abertura de la montadura de la barra (lado derecho) y deslice el motor sobre el soporte de la montadura del motor y empuje hacia abajo. OBSERVACIÓN: El tornillo que fija la barra SOLAMENTE se usa cuando el sistema rotativo NO está en uso. No APRIETE el tornillo de la barra cuando esté usando el sistema rotativo para que la barra pueda rotar libremente.
8. La barra debe estar libre para rotar, así que el lado pesado de la carne o ave rote hacia la parte de abajo. Los cortes muy grandes de carne pueden requerir que saquen las rejillas de cocinar para permitir que la barra rote completamente. OBSERVACIÓN: Vuelva a colocar la carne en la barra y/o use el contra-peso si es necesario, para obtener el mejor balance sobre la barra. Puede montar el contra-peso después del quinto paso explicado anteriormente.
9. Enchufe el motor y enciéndalo.
10. Siga las instrucciones para Encender.

Cocinando con el Sistema Rotativo

- Cuando esté usando el Sistema Rotativo, la tapa debe estar cerrada, menos cuando esté rociando.
- La carne (menos aves y carne molida) debe estar a temperatura ambiente antes de cocinar. (20 a 30 minutos suele ser suficiente para la mayoría de las comidas. Si está congelada, descongelar completamente antes de cocinar.)
- Amarre la carne y aves con cuerda si es necesario, para que la forma de la carne o ave esté lo más uniforme posible antes de colocarla en la barra.
- Quite las rejillas de cocinar y de calentamiento para permitir que la carne dé vuelta libremente..
- Siga las instrucciones para encender hornilla de Sistema Rotativo que se encuentra en la sección "Encender su Parrilla".
- Seleccione con la perilla de control de la hornilla la temperatura "MED-HIGH" (medio alto) basada en la temperatura afuera.
- Coloque la carne dentro del área de la hornilla.
- Si desea recolectar la grasa y el jugo para hacer salsa coloque una cacerola debajo de la carne sobre las planchas distribuidoras de calor.
- Los pasos de preparación para cocinar son los mismos para el Sistema de Rotativo como para el sistema regular.

OBSERVACIÓN: Cuando esté usando el Sistema Rotativo, el termómetro de la parrilla no reflejará la temperatura dentro de la caja.



Erupción de Llamas

Cuando se cocina comida grasosa sobre llamas puede esperar erupciones de llamas. Las erupciones son causadas por el salpique que ocurre cuando los jugos naturales de la carne caen sobre las planchas distribuidoras de calor. Las erupciones controladas es lo que le da a la comida el gusto y apariencia de barbacoa. Las erupciones excesivas pueden ocurrir si su parrilla no está nivelada o cuando esté cocinando comida grasosa, tales como costillas y pollo, y especialmente si la temperatura está muy elevada. Estas erupciones deberán ser controladas, si no su comida se quemará; no sucederá de esta manera tanto como usted piense, aunque esté directamente en la llama.

⚠ ADVERTENCIA: No eche ni salpique agua dentro de la caja para controlar las erupciones. El hacerlo anulará su garantía y puede dañar su parrilla.

Para ayudar controlar las erupciones sugerimos que cocine carne menos grasosa o elimine la grasa excesiva de la carne que piensa cocinar en la parrilla. También, su parrilla debe estar nivelada. Si las erupciones brotan, use la perilla de control y ponga la temperatura en "LOW" (bajo) y cambie la posición de la carne sobre la rejilla hasta que las erupciones disminuyan.

1. Para evitar que la comida se pegue a la rejilla, caliente la superficie de cocinar con la tapa cerrada por 10 minutos antes de comenzar a cocinar. Coloque la carne sobre la superficie y permita que se quede allí por la mitad del tiempo sugerido, como el tiempo de cocinar.
2. No es necesario darle vueltas continuas a las carnes, permita que se chamusque y que los jugos se sellen dentro de la carne y, entonces, a la mitad del tiempo, con una espátula, voltee la carne. Cuando esté cocinando pollo, siempre coloque primero el lado de la carne sobre la superficie.
3. Aplicando una ligera capa de aceite sobre la carne antes de cocinar ayuda mucho, y el uso de spray para cocinar también; éste solamente debe usarse antes de encender la parrilla y nunca mientras esté cocinado. El uso de spray para cocinar puede dejar manchas negras sobre las rejillas; esto no es dañino ni afecta el proceso de cocina. Sin embargo, si se convierte en un problema de apariencias, la mejor manera de eliminar las manchas es colocando las rejillas en un horno que se autolimpia por un ciclo de limpieza.

Almacenamiento de Parrillas de Gas Propano Líquido

Después de terminar de cocinar y de limpiar su parrilla (véase sección de Mantenimiento para limpieza), apague su parrilla poniendo la perilla en posición de "OFF" (apagada).

Cuando vaya a almacenar la parrilla adentro de la casa, la conexión entre el tanque fuente de gas propano y la parrilla deben ser desconectadas, y el tanque debe sacarse de la parrilla y almacenarlo fuera de la casa en un lugar bien ventilado. Cuando el tanque de gas propano no es sacado de la parrilla, ésta debe ser almacenada fuera de la casa en un lugar bien ventilado.

Calculando la Cantidad de Propano Líquido en un Tanque

Para calcular la cantidad de gas propano que hay en su tanque (tanques de propano sin regulador), la parrilla debe estar operando. Coloque su mano sobre la parte superior del tanque y deslícela lentamente hacia abajo hasta que el tanque se sienta frío. Esto le indicará la cantidad aproximada de gas que hay en su tanque.

Empalme de la Válvula de Gas

⚠ ADVERTENCIA: Cualquier alteración que se le haga al (a los) empalme(s), como taladrar para aumentar su diámetro, anulará su garantía y puede resultar en serias lesiones al cuerpo, muerte, un incendio o una explosión causando daños a la propiedad.

Cuando Usa el Sistema Rotativo

⚠ ADVERTENCIA: El motor del Sistema Rotativo debe ser almacenado adentro, cuando no está en uso. No deje el motor montado en la parrilla.

1. Cuando esté usando el Sistema Rotativo, la tapa siempre debe estar cerrada excepto cuando esté rociando.
2. Importante: Siempre encienda la hornilla del Sistema Rotativo con la tapa completamente abierta.
3. Es importante balancear la carne sobre la horquilla. Esto puede ser difícil de lograr, especialmente con el pavo. Balancear la carne apropiadamente hará que se cocine igual en cada lado y también prolongará la vida del motor.
4. Se puede usar un alicate para apretar los tornillos de los ganchos de carne cuando se estén cocinando grandes cortes.
5. Use un cordón para sujetar la carne sobre la barra, especialmente aves y otros cortes de carne que requieran se amarren.

Soporte del Sistema Rotativo (Del Lado del Motor)

Cuando se monta el motor de la barra sobre el soporte (lado derecho de la caja), los extremos del soporte del motor deben estar completamente insertados en las ranuras del motor. Esto se logra deslizando el motor hasta el final del soporte. La barra no debe estar en contacto con la superficie de las ranuras del soporte del motor. Vea la Guía de Ensamblaje para más información.

Estante/Estantes

No use el/los estante(s) como una tabla para cortar carne u otra comida. Limpiar con jabón y agua.

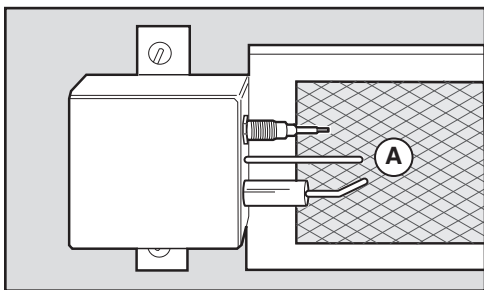
Parrillas Portátiles

Cuando su parrilla no esté en uso y desea moverlo, recomendamos que empuje la parrilla por su estante lateral.

⚠ PRECAUCIÓN: Si su parrilla es portátil y usted está usando un tanque de gas, primero asegure girar la perilla de control y después el tanque. En instalaciones permanentes es muy recomendable que se cierre la válvula principal de la línea de gas cuando la parrilla no esté en uso.

PROBLEMAS

PROBLEMA	COMPROBAR y SOLUCIÓN	IMPORTANTE
SISTEMA DE IGNICIÓN	Si tiene problemas con el sistema de ignición asegúrese que haya flujo de gas hacia la hornilla intentando encenderla con fósforos. Si se enciende el sistema con fósforos, entonces el problema está en algún lado del sistema de ignición y deberá ser revisado.	
HORNILLAS PRINCIPALES DE LA PARRILLA	<p>⚠ PRECAUCIÓN: Siempre cierre el suministro de gas (si es portátil, desde el tanque; si es de gas natural, desde la fuente principal de gas) antes de proceder con cualquier procedimiento de revisión.</p> <p>Si por alguna razón no funciona la ignición automática para encender la(s) hornilla(s) principal(es) repita el procedimiento para encender, descrita sobre el panel de control de la parrilla.</p> <p>⚠ ADVERTENCIA: La tapa debe de estar completamente abierta durante cualquier intento de encender la parrilla. De no abrir la tapa completamente, puede retrasar la ignición, lo que provocaría lesiones al cuerpo.</p> <p>Después de haber cerrado la fuente de gas principal, saque las rejillas de cocinar y as planchas distribuidoras de calor. Gire el dispositivo de ignición en sentido contrario al reloj y verifique si el electrodo está chispeando hacia el tubo de ignición. Inténtelo varias veces.</p>	Si la(s) hornilla(s) principal(les) todavía no se enciende, asegure que hay flujo de gas hacia la(s) hornilla(s) intentando encenderla(s) con un fósforo. Si la(s) hornilla(s) se enciende(n) con un fósforo, entonces proceda a revisar el sistema de ignición. i por alguna razón el sistema de ignición todavía no funciona, siga las instrucciones para encender con fósforo.
HORNILLA DEL SISTEMA ROTATIVO IGNICIÓN ELECTRÓNICA	Con una nueva batería instalada presione la perilla de la ignición electrónica y revise si hay chispas entre las dos puntas de electrodos. Debe de haber una apertura de 1/8" a 3/16" entre los electrodos. Si lo es menos, o más, ajuste cuidadosamente la abertura hasta que obtenga la abertura deseada de 1/8" a 3/16"(A).	Verifique que la batería esté buena y que haya sido instalada apropiadamente. Si no así es, intente usar una nueva batería. i por alguna razón el sistema de ignición todavía no funciona, siga las instrucciones para encender con fósforo.
HORNILLA CON POCA LLAMA	Asegúrese que en el puerto de la hornilla, el filtro, la parte final (venturi) y los orificios estén libres de obstrucción. Si su parrilla ha estado almacenada por mucho tiempo, revise y asegúrese de que no haya tela de araña tapando el filtro o los orificios. En una parrilla LP, si hay poca llama o es muy difícil de encenderla, el dispositivo regulador de flujo puede haber sido activado. Para recalibrar el dispositivo regulador de flujo, ponga todas las perillas en posición "HIGH" (alto). Espere un minuto. Ponga las perillas en posición de "OFF" (apagada), vuelva a conectar el regulador al cilindro. Abra la válvula del cilindro lentamente. Consulte instrucciones para Encender.	Si todavía tiene poca llama, por favor llame a su proveedor o llame a atención al cliente, al 1-800-DUCANES
EL ENCEDEDOR DEL QUEMADOR LATERAL NO FUNCIONA	¿Se enciende el quemador con un cerillo?	Si el quemador se enciende con un cerillo, revise el encendedor (ver "Mantenimiento del quemador lateral").
<p>Si los problemas no logran corregirse usando estos métodos, por favor póngase en contacto con el Representante de Servicio al Cliente en su área utilizando la información de contacto suministrada en nuestro sitio web. Conéctese a www.ducane.com.</p>		



Si es verdad que usted pagó mucho dinero por su parrilla, pero ni la parrilla más cara se limpia y mantiene a sí misma, y usted quiere que se vea y funcione bien, por eso esta sección de su manual es tan importante.

Esta sección le da la información necesaria para que usted pueda mantener su parrilla como nueva y funcionando bien. Lea y siga las instrucciones de esta sección y la inversión que hizo en su parrilla durará mucho años.

Rutina de Mantenimiento para la Parrilla Cada 90 Días

Se recomienda que cada 90 días se siga estos procedimientos de mantenimiento, pero es absolutamente necesario que se haga una vez al año. Aumentará la vida de su parrilla si cumple con estos procedimientos.

Limpiar la Tapa

A la parte exterior de la campana se le deberá dar mantenimiento con un limpiador de acero inoxidable. La parte interna de la campana puede limpiarse con una solución de agua tibia y detergente líquido para eliminar cualquier acumulación de grasa.

⚠ ADVERTENCIA: No levante la barbacoa utilizando el panel de control como asa. El hacerlo pudiera dañar los componentes eléctricos y de manejo del gas. Daños a los componentes eléctricos y de manejo del gas pudieran resultar en lesiones corporales graves e incluso la muerte, además de daños a la propiedad.

Limpiar las Rejillas de Acero Inoxidable

Para mantener a su parrilla operando correctamente, la rejilla de cocción de acero inoxidable deberá limpiarse frecuentemente.

1. La rejilla de acero inoxidable fácilmente puede ser limpiada después del poscalentamiento. Tan pronto como termine los 10 minutos del poscalentamiento, apague el gas. Abra la tapa con su mano protegida y, usando el cepillo de cobre, cepille la superficie de la rejilla. Después de haber completado este procedimiento, coloque toallas de papel mojadas sobre el cepillo y vuelva a cepillar la rejilla.

La rejilla de acero inoxidable de Ducane® ha sido construida con fuerte acero inoxidable. Encontrará que esta superficie es muy duradera y proporciona más calor directamente a la superficie donde cocina para lograr una experiencia más rápida y económica.

Limpiar las Planchas de Distribuidoras de Calor

Sus planchas de distribuidoras de calor también deben ser cepilladas con un cepillo de cobre de mango largo. Entonces la misma solución enjabonada usada en el paso uno se maneja aquí.

Limpiando la Caja

Limpie la caja cuando haya sacado la rejilla y las planchas distribuidoras de calor de la caja. Limpie la ceniza y pedazos de comida con agua enjabonada y un trapo no áspero. Permita que se seque antes de volver a instalar las partes.

Una pequeña cantidad de grasa puede acumularse en el fondo de la caja. Esto se puede sacar con una espátula de metal. Use la misma solución de agua enjabonada descrita en la página 32 para limpiar después que haya raspado.

Si cocina mucho con la tapa cerrada puede acumularse tanta grasa que se desprende en pedazos (esto no es pintura). Si esto pasa limpie la parte de adentro de la tapa con agua tibia enjabonada. Cuide que no se moje la hornilla.

Preserve su Gabinete, Panel de Control y Mostrador(es)

Su gabinete, panel de control y mostrador(es) están hechos de acero inoxidable. Para mantener una buena apariencia es muy fácil. Limpie con jabón y agua, enjuague con agua limpie y seque. Recomendamos que use un detergente líquido para platos diluido en agua. Para algo difícil, use un cepillo no metálico; no lo use para limpiar el mostrador.

⚠ PRECAUCIÓN: No use cepillos metálicos ásperos, ni detergentes con abrasivos en su tapa, gabinete y mostrador, pues rayará la superficie.

⚠ PRECAUCIÓN: Al limpiar las superficies, asegúrese de frotar en el sentido de la veta para preservar la apariencia del acero inoxidable.

IMPORTANTE

- Siempre mantenga la parrilla libre de y lejos de materiales combustibles, gasolina y otros vapores y líquidos inflamables.
- No ubique su parrilla de tal manera que obstruya el flujo del combustible y no tenga ventilación alrededor de la parrilla.
- Como parte de su rutina de mantenimiento, asegúrese que todas las aberturas de ventilación estén libres y no obstaculizadas.

Incendios de Grasa

Las recomendaciones en la sección de Mantenimiento con respecto a limpiar la parrilla y en la sección de Operaciones Normales con respecto a calentamiento previo y poscalentamiento son muy importantes por dos razones:

1. Mantenga su parrilla cocinando de la mejor manera conservando las superficies y los componentes de cocina limpios.
2. Por razones de seguridad, una parrilla sucia es más susceptible a incendios de grasa.

Dependiendo de cuántas veces use la parrilla y de qué tipo de comida cocina, cuántas veces hace el calentamiento previo y el poscalentamiento y la frecuencia de limpieza, cualquier parrilla puede ser susceptible a incendios de grasa. Una acumulación de grasa de carne, jugos, salsas, etc., pueden causar un severo incendio de grasa.

Si un incendio de grasa llegase a ocurrir en una parrilla Ducane® las llamas probablemente serían visibles por debajo de la caja. Un severo incendio pudiera conducir a una manguera de la hornilla o regulador que alimentaría el incendio y, obviamente, hacerla peor.

Cualquier tipo de incendio requiere que los componentes de la parrilla (manguera, regulador, tanque LP, etc.) involucrados sean revisados para ver si continúan funcionando debidamente. Si hay sospecha de una fuga, el sistema de suministro de gas (manguera, dispositivos, etc.) debe ser revisado usando agua enjabonada para verificar la fuga. Si no hay una fuga, entonces lo más probable es que sea un incendio de grasa. Un incendio de grasa puede ser lo suficiente severo para dañar su parrilla y/o causar daño a la propiedad y/o lesiones al cuerpo. Ducane no quiere que esto pase, ni usted tampoco. Siga nuestras recomendaciones de limpieza para prevenir incendios de grasa.

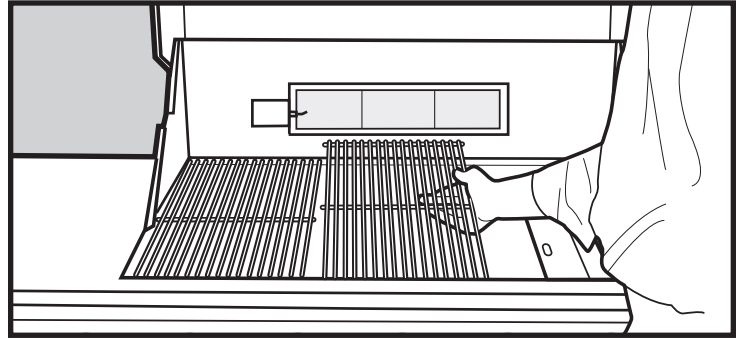
⚠ ADVERTENCIA: Revise el recolector de grasa para la acumulación de grasa antes de cada uso, elimínela para evitar incendios de grasa.

MANTENIMIENTO ANUAL

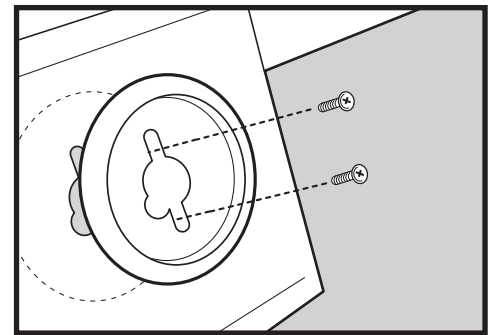
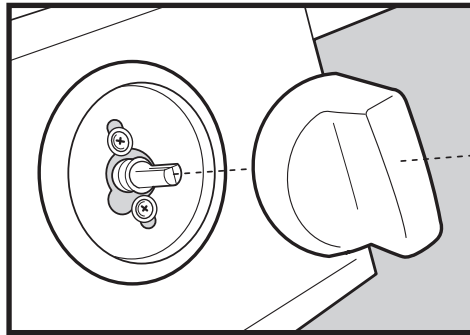
Inspección y Limpieza de la Malla Contra Arañas/Insectos

Para inspeccionar la malla contra Arañas/Insectos.

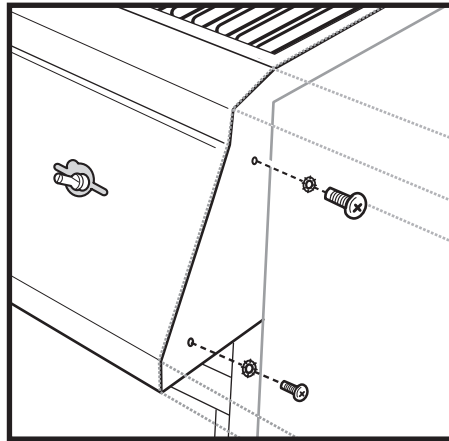
1. Cierre la fuente de gas.
2. Retire la rejilla de cocción y las placas de distribución de calor, tras lo cual quedan expuestos los tubos quemadores.



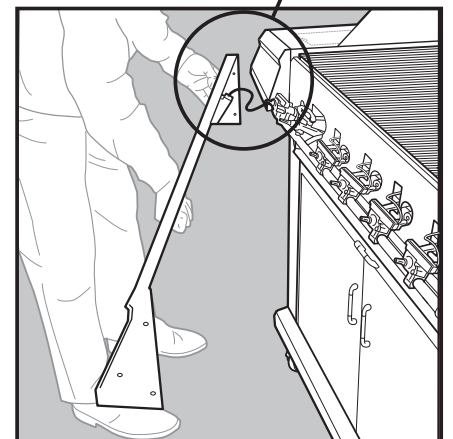
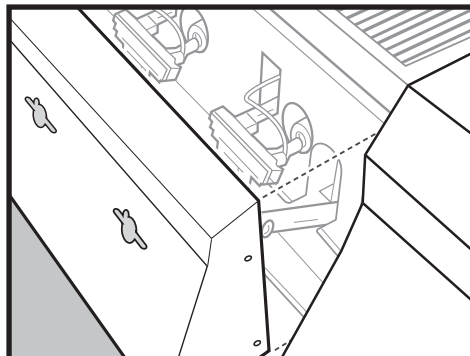
3. Retire los dos(2) tornillos y arandelas que sostienen a cada válvula al panel de control y a la moldura decorativa de las perillas de control.



4. Afloje el panel de control retirando los dos (2) tornillos a cada extremo.

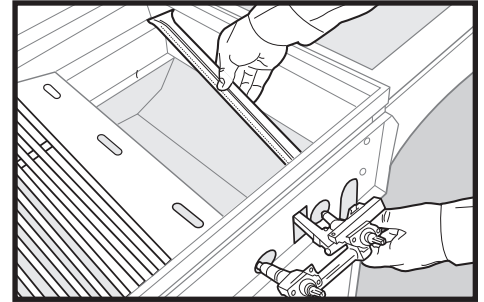
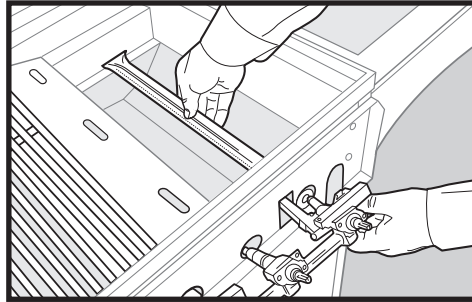


5. Hale al panel de control unas cuantas pulgadas de la parrilla. Desconecte el cable del encendedor electrónico para el quemador giratorio.



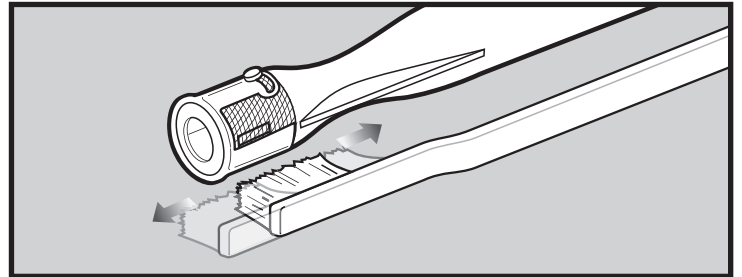
MANTENIMIENTO ANUAL

Ahora puede sacar el tubo para inspeccionarlo. Si hay polvo o tierra sobre la(s) malla(s), cepílela ligeramente con un cepillo blando (un viejo cepillo de dientes).



⚠ PRECAUCIÓN: No limpie la malla contra Arañas/Insectos con un instrumento duro ni afilado. No la mueva de su lugar ni agrande la abertura de la malla.

Si la malla contra arañas/insectos se daña o no puede ser limpiada, llame a Ducane, a atención al cliente al 1-800-382-2637, para un repuesto. Para ensamblar siga los pasos 2 al 4 en orden reverso.



Limpieza de las mallas contra arañas e insectos.

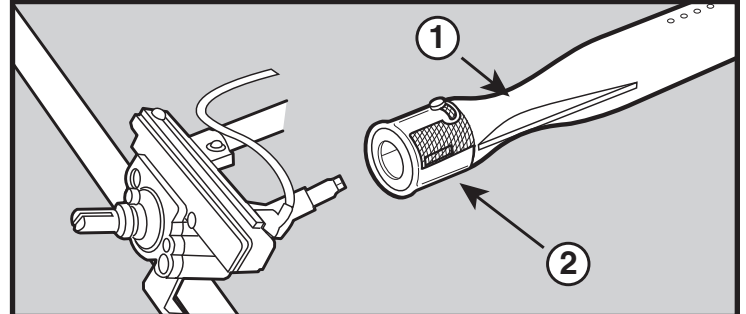
Su barbacoa de gas Ducane®, al igual que cualquier otro aparato de gas al aire libre, es un blanco para las arañas y demás insectos. Pueden crear sus nidos en la sección del venturi (1) del tubo quemador. Esto bloquea el flujo normal de gas, y puede causar que el gas fluya hacia atrás por la compuerta de cierre del aire. Esto puede resultar en un fuego en y alrededor de la compuerta de cierre del aire, causando un daño serio a la barbacoa.

La compuerta de cierre del aire del tubo quemador está equipada con una malla (2) de acero inoxidable para prevenir la entrada de arañas e insectos a los tubos quemadores a través de las aberturas de dicha compuerta de cierre del aire.

Le recomendamos que inspeccione las mallas contra arañas e insectos por lo menos una vez al año. También, inspeccione y limpie dichas mallas si cualquiera de los siguientes síntomas se presentase:

1. Olor a gas en conjunción con llamas del quemador con un apariencia muy amarilla y floja.
2. La barbacoa no alcanza la temperatura de funcionamiento.
3. La barbacoa no se calienta de manera pareja.
4. Uno o más quemadores no se encienden.

⚠ PELIGRO: El no corregir estos síntomas pudiera resultar en un fuego que puede causar lesiones corporales serias o la muerte y daños a la propiedad.

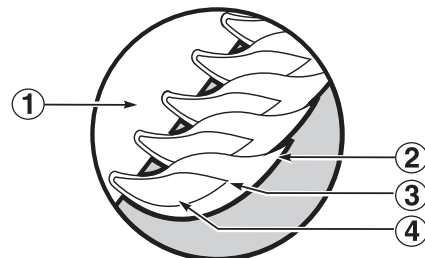


Patrón de la llama del quemador principal

Los quemadores de la barbacoa de gas Ducane® han sido ajustados en la fabrica para que les entre la mezcla correcta de aire y gas. Acá se muestra el patrón correcto de la llama.

1. Tubo quemador
2. Las puntas ocasionalmente titilarán con un color amarillo
3. Azul claro
4. Azul oscuro

Si las llamas no se presentan de manera uniforme a lo largo del tubo quemador, siga las instrucciones de limpieza del quemador.

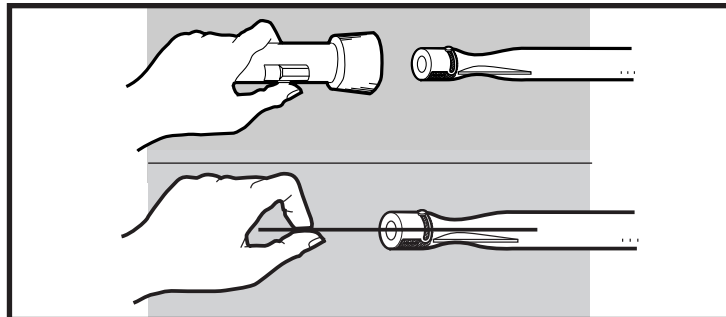


MANTENIMIENTO ANUAL

Limpieza del quemador principal

- Para limpiar los orificios de gas de los quemadores principales use una brocha de cerdas fuertes.
- Consulte: **Inspección y limpieza de las mallas contra insectos y arañas** para sacar el tubo quemador.
- Ahora puede sacar el tubo quemador de la caja de quemadores e inspeccionar la parte de adentro con una linterna.
- Limpie la parte interna de los quemadores con un alambre (un colgador de ropa enderezado funcionará bien). Revise y limpie la abertura de las compuertas de cierre del aire en los extremos de los quemadores.
- Revise y limpie los orificios de las válvulas. Utilice un cepillo de cerdas de acero para limpiar la parte externa de los quemadores. Esto es para asegurarse de que las aberturas de los quemadores estén completamente abiertas.

⚠ ADVERTENCIA: Al limpiar, no agrande las aberturas del quemador.



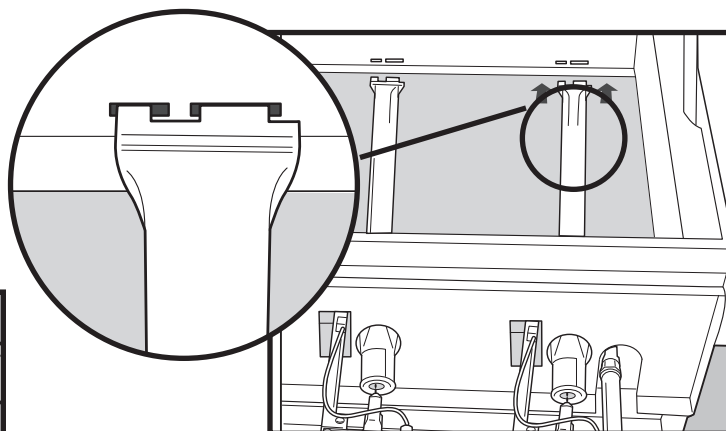
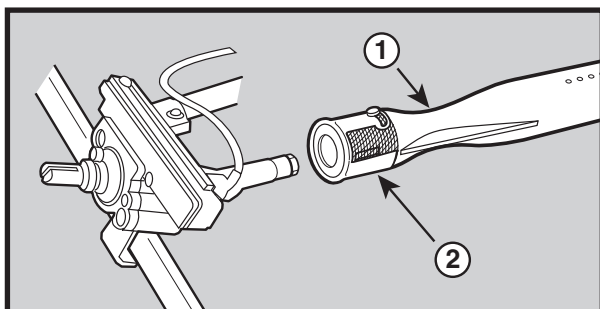
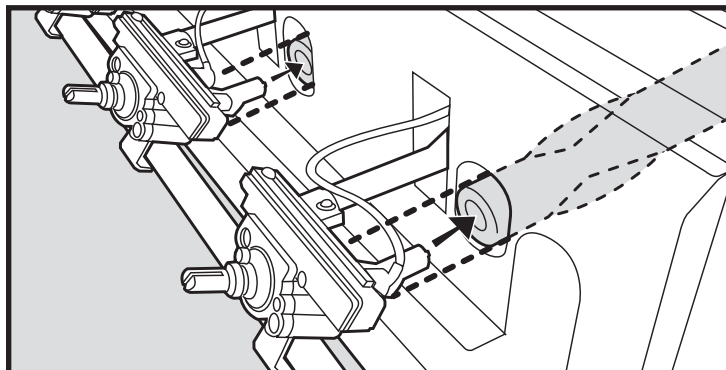
Reemplazo de los quemadores principales

1. La barbacoa de gas DUCANE® debe estar APAGADA y enfriada.
2. CIERRE el gas en la fuente.
3. Retire la parrilla de cocción y las placas de distribución de calor, dejando expuestos los tubos quemadores.
4. Saque la perillas del panel delantero, las molduras decorativas y el módulo de ignición para el encendido electrónico de los quemadores.
5. Luego retire el panel delantero.

Vea: **Inspección de las mallas contra insectos y arañas** para sacar el tubo quemador
Para rearmar, siga los pasos 3 al 5 de arriba en reverso.

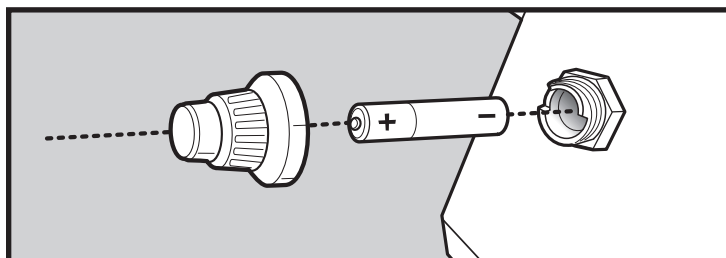
⚠ PRECAUCIÓN: Las aberturas del quemador (1) deberán posicionarse correctamente sobre los orificios de la válvula (2). Verifique que el ensamblaje esté hecho correctamente antes de atornillar el múltiple/panel delantero en su sitio.

⚠ ADVERTENCIA: Después de reinstalar las líneas de gas y antes de usar la barbacoa, deberá verificarse de que no haya fugas usando una solución de agua y jabón.



Cambiar la Batería del Sistema de Ignición de la Hornilla del Sistema Rotativo

Desenrosque la perilla del sistema de ignición y saque la batería vieja y ponga la nueva. La envoltura de plástico debe retirarse de la batería antes de instalarla.



GUIDE DE L'UTILISATEUR DU GRILL À GAZ PL

3400 & 5400

ASSEMBLAGE - PG 3

#20208569

Service à la clientèle : 1-800-382-2637

VOUS DEVEZ LIRE CE MODE D'EMPLOI AVANT D'UTILISER VOTRE GRILL A GAZ

⚠ DANGER

S'il y a une odeur de gaz:

1. Coupez l'admission de gaz de l'appareil.
2. Éteindre toute flamme nue.
3. Ouvrir le couvercle.
4. Si l'odeur persiste, éloignez-vous de l'appareil et appelez immédiatement le fournisseur de gaz ou le service d'incendie.

Une fuite de gaz risque de provoquer un incendie ou une explosion susceptible d'occasionner des blessures graves, voire mortelles, ou des dégâts matériels.

⚠ AVERTISSEMENT:

1. Ne pas entreposer ni utiliser de l'essence ni d'autres vapeurs ou liquides inflammables dans le voisinage de l'appareil, ni de tout autre appareil.
2. Une bouteille de propane qui n'est pas raccordée en vue de son utilisation, ne doit pas être entreposée dans le voisinage de cet appareil ou de tout autre appareil.

⚠ MISE EN GARDE: Suivez toutes les procédures de détection des fuites de ce manuel avec soin avant d'utiliser le barbecue. Faites-le même si le barbecue a été assemblé par le revendeur.

NOTE A L'INTENTION DE

L'INSTALLATEUR: Les présentes instructions doivent être remises au propriétaire et le propriétaire devrait les conserver pour les utiliser plus tard.

CET APPAREIL A GAZ EST CONÇU POUR UNE UTILISATION EN EXTERIEUR UNIQUEMENT.

⚠ MISE EN GARDE: N'essayez pas d'allumer cet appareil sans lire la section des "Instructions pour l'allumage" de ce manuel.

⚠ ATTENTION: La sécurité de ce produit a été testée et celui-ci n'est certifié que pour une utilisation dans un pays spécifique. Veuillez vous reporter à la désignation de pays figurant sur le carton d'emballage.

Ces pièces sont susceptibles d'être des composants transportant ou brûlant du gaz. Veuillez contacter un Représentant du service clientèle de Ducane près de chez vous pour obtenir des renseignements sur les véritables pièces de rechange Ducane en téléphonant au 1-800-382-2637.

⚠ AVERTISSEMENT: Ne faites aucune tentative de réparation sur des composants transportant ou brûlant du gaz sans contacter Ducane. Si vous ne respectiez pas cette mise en garde concernant le produit, vos actions risqueraient de provoquer un incendie ou une explosion provoquant des blessures graves ou la mort ainsi que des dommages à la propriété.



POUR UNE UTILISATION DOMESTIQUE UNIQUEMENT

GARDER CES INSTRUCTIONS POUR RÉFÉRENCE FUTURE

Download from www.Somanuals.com. All Manuals Search And Download.

20208569_LP
FRENCH CANADIAN

⚠ DANGER

L'omission de respecter les "Dangers", les "Avertissements" et les "Attentions" contenus dans ce manuel du propriétaire peut entraîner des blessures corporelles graves ou la mort, ou un feu ou une explosion causant des dommages matériels.

⚠ AVERTISSEMENTS

- ⚠ N'utilisez pas le panneau de contrôle comme poignée pour lever le barbecue. Le fait de lever par le panneau de contrôle peut endommager les pièces liées au gaz et à l'électricité. Tout dommage aux pièces liées au gaz et à l'électricité peut provoquer des blessures graves ou mortelles et des dégâts matériels.
- ⚠ N'entreposez pas une bouteille de propane de remplacement ou une bouteille déconnectée sous ou à proximité de ce barbecue.
- ⚠ L'assemblage incorrect peut s'avérer dangereux. Veuillez suivre attentivement les instructions d'assemblage dans ce manuel.
- ⚠ Après une période de temps d'entreposage, et/ou de non utilisation, le barbecue à gaz Ducane® devrait être vérifié pour des fuites de gaz et des obstructions au brûleur avant utilisation. Voir les instructions dans ce manuel pour les procédures appropriées.
- ⚠ Ne faites pas fonctionner le barbecue à gaz Ducane® s'il y a présence de fuite de gaz.
- ⚠ N'utilisez pas de flamme pour vérifier les fuites de gaz.
- ⚠ Les matériaux combustibles ne devraient jamais être à moins de 24 pouces du dessus, du dessous, du l'arrière ou des côtés de votre barbecue à gaz Ducane®.
- ⚠ Ne mettez pas de housse de barbecue ou n'importe quel autre objet inflammable dessus ou dans l'emplacement d'entreposage sous le barbecue.
- ⚠ Votre barbecue à gaz Ducane® ne devrait jamais être utilisé par des enfants. Les parties accessibles du barbecue peuvent être très chaudes. Gardez les jeunes enfants éloignés lors de son utilisation.
- ⚠ Vous devriez porter beaucoup d'attention en faisant fonctionner votre barbecue à gaz Ducane®. Il sera chaud durant la cuisson ou le nettoyage et ne devrait jamais être laissé sans surveillance ou déplacé pendant qu'il fonctionne.
- ⚠ Si les brûleurs s'éteignent pendant qu'il fonctionne, mettez tous les valves à gaz à la position "OFF" (FERMÉE). Ouvrez le couvercle et attendez cinq minutes avant de tenter de rallumer en utilisant les instructions d'allumage.
- ⚠ N'utilisez pas de charbon de bois ou de roche volcanique dans votre barbecue à gaz Ducane®.
- ⚠ Ne vous penchez jamais au-dessus du gril ouvert ou placez les mains ou doigts sur le bord en avant du boîtier de cuisson.
- ⚠ Si un feu de graisse se produit, éteignez tous les brûleurs et laissez le couvercle fermé jusqu'à ce que le feu s'éteigne.
- ⚠ N'agrandissez pas les orifices de valve ou les ports du brûleur en nettoyant les valves ou les brûleurs.
- ⚠ Le barbecue à gaz Ducane® devrait être nettoyé méticuleusement sur une base régulière.
- ⚠ Le gaz propane n'est pas un gaz naturel. Convertir ou tenter d'utiliser of gaz naturel dans une unité de propane ou de gaz propane en une unité de gaz naturel est dangereux et annulera votre garantie.
- ⚠ Ne tentez pas de déconnecter le raccordement de gaz pendant que votre barbecue est en fonction.
- ⚠ Utilisez des mitaines ou des gants de barbecue résistants à la chaleur en faisant fonctionner le barbecue.
- ⚠ Éloignez tout fil électrique et tout tuyau de combustible de toute surface chauffée.
- ⚠ Les produits de combustion dérivés de l'utilisation de ce produit contiennent des produits chimiques, reconnus par l'État de la Californie, pouvant causer le cancer, des défauts de naissance, ou tout autre trouble lié à la reproduction.
- ⚠ N'utilisez pas ce barbecue à moins que toutes les pièces soient en place. L'unité doit être correctement assemblée selon les instructions soulignées dans le "Guide d'assemblage".
- ⚠ N'intégrez pas ce modèle de grill à n'importe quelle construction encastrée ou à glissière. Le non respect de cet Avertissement risque de provoquer un incendie ou une explosion susceptible de provoquer des dégâts matériels ainsi que des blessures graves voire un décès.
- ⚠ Proposition 65 Avertissement : Le fait de manipuler le matériau en laiton du produit vous expose au plomb, une matière qui selon l'Etat de Californie provoque des cancers, des pathologies congénitales ou d'autres pathologies similaires.
(N'oubliez pas de vous laver les mains avant de manipuler ce produit.)

POUR LES UNITÉS AU GAZ PROPANE SEULEMENT:

- ⚠ Utilisez le régulateur qui est fourni avec votre barbecue à gaz Ducane®.
- ⚠ Ne tentez pas de déconnecter le régulateur à gaz ou tout raccordement de gaz pendant que votre barbecue est en fonction.
- ⚠ Une bouteille de propane cabossée ou rouillée peut être dangereux et devrait être vérifiée par votre fournisseur de propane. N'utilisez pas une bouteille de propane avec une valve endommagée.
- ⚠ Bien que votre bouteille de propane peut semblée vide, le gaz peut encore être présent, et la bouteille devrait être transportée et entreposée de façon appropriée.
- ⚠ Si vous voyez, sentez ou entendez le sifflement d'une fuite de gaz provenant de la bouteille de propane:
 1. Déplacez-vous loin de la bouteille de propane.
 2. Ne tentez pas de corriger le problème vous-mêmes.
 3. Appelez votre service d'incendie.

PRÉCAUTIONS À SUIVRE

IMPORTANT Nous vous recommandons de lire attentivement ce manuel et de suivre les recommandations qu'il contient. Ceci contribuera à vous assurer l'utilisation la plus agréable et la plus tranquille possible de votre nouveau Grill à gaz Ducane®. Nous vous conseillons également de conserver ce manuel pour pouvoir vous y reporter ultérieurement.

- ⚠ **AVERTISSEMENT:** Votre grill a été conçu pour fonctionner en utilisant uniquement le gaz spécifié sur la plaque nominale. Ne tentez pas de faire fonctionner votre grill avec d'autres gaz. Le non respect de cet avertissement pourrait entraîner un risque d'incendie et des blessures, et annulera votre garantie.
- ⚠ **ATTENTION: POUR VOTRE SECURITE - Ne stockez aucun matériau inflammable dans les placards au-dessous du boîtier des brûleurs du grill ni dans le voisinage de votre grill.**
- ⚠ **AVERTISSEMENT:** Assurez-vous que votre bouteille de PL (propane) soit remplie par un revendeur de propane de bonne réputation. Une bouteille de PL mal remplie ou trop pleine peut s'avérer dangereuse. Un remplissage excessif associé au réchauffement de la bouteille de PL (une chaude journée d'été, la bouteille laissée au soleil) peut provoquer le relâchement de gaz PL par la soupape de sécurité de la bouteille dans la mesure où l'augmentation de la température provoque l'expansion du propane. Le gaz PL relâché par la bouteille est inflammable et peut être explosif.
- ⚠ **AVERTISSEMENT:** (a) Ne placez pas de bouteille de gaz de rechange sous ou à proximité de cet appareil; (b) ne remplissez jamais la bouteille de gaz à plus de 80 pourcent;

et (c) si les instructions "(a)" et "(b)" ne sont pas respectées avec exactitude, cela pourrait provoquer un incendie entraînant des blessures graves ou mortelles.

- ⚠ **AVERTISSEMENT:** Gardez tout fil électrique et le tuyau d'alimentation en combustible loin de toute surface chauffée.
- ⚠ **N'intégrez pas ce modèle de grill à n'importe quelle construction encastrée ou à glissière. Le non respect de cet Avertissement risque de provoquer un incendie ou une explosion susceptible de provoquer des dégâts matériels ainsi que des blessures graves voire un décès.**

PROPOSITION CALIFORNIENNE 65

- ⚠ **AVERTISSEMENT:** La combustion de combustible de cuisson au gaz génère des dérivés figurant sur la liste des substances reconnues par l'Etat de Californie comme provoquant le cancer ou des troubles de la reproduction. La loi californienne exige des entreprises qu'elles avertissent les clients de toute exposition potentielle à ces substances. Afin de minimiser l'exposition à ces substances, utilisez toujours cet appareil conformément au manuel d'utilisation et d'entretien, et assurez-vous que l'aération est bonne lorsque vous cuisinez au gaz.

INSTALLATION GRILS AU GAZ PROPANE

Choix de l'emplacement de votre grill

- Votre Grill à gaz Ducane® est conçu pour une utilisation en extérieur uniquement! Tout grill, qu'il soit à charbon ou à gaz, produit du monoxyde de carbone pendant son fonctionnement et il ne faut pas laisser ce gaz s'accumuler dans une zone confinée. Ne faites jamais fonctionner le grill à l'intérieur d'un bâtiment ou de tout endroit fermé tel que votre maison, votre garage ou votre véhicule de plaisance.
- Lorsque vous choisissez un emplacement pour votre grill, choisissez un emplacement extérieur sûr éloigné de toutes surfaces inflammables ou combustibles et à l'écart des voies de passage. Ducane® recommande fortement un écart de 24" par rapport aux surfaces combustibles et de 120" (10 pieds) par rapport à tout récipient contenant un combustible ou par rapport à des bouteilles de propane.
- Veuillez consulter vos codes régionaux pour connaître les restrictions supplémentaires éventuelles concernant l'emplacement ou l'utilisation de votre grill.
- Dans la mesure où votre grill utilise du gaz, il a besoin d'air pour une bonne combustion. Ne disposez pas votre grill de manière à faire obstacle au flux d'air nécessaire à la combustion et à l'aération autour du grill.
- Chaque fois que possible, ajustez la position de votre grill afin de réduire la probabilité que celui-ci ne soit attisé par le vent.

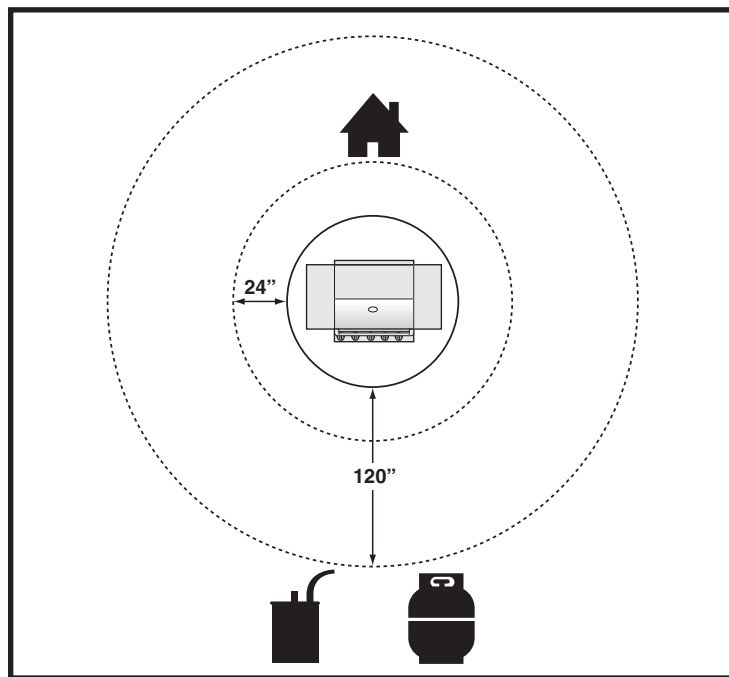
⚠ **ATTENTION:** N'utilisez jamais votre grill au-dessous d'un toit suspendu inflammable.

⚠ **ATTENTION:** Ce grill n'est pas conçu pour être installé à l'intérieur d'un véhicule de loisir ni pour y être attaché. Il n'est pas non plus conçu pour être installé dans la cabine ou sur le pont d'un bateau.

⚠ **AVERTISSEMENT:** Pour votre sécurité, ne stockez pas ou n'utilisez pas d'essence ou d'autres vapeurs et liquides inflammables dans le voisinage de cet appareil ni de tout autre appareil. Le non respect de cette mesure de sécurité pourrait entraîner un incendie, une explosion et des blessures.

Montage

Assurez-vous que votre grill est monté correctement. Des instructions de montage détaillées sont fournies avec chaque grill et donnent des procédures de montage spécifiques pour chaque modèle. Veuillez suivre ces instructions avec soin pour garantir le montage correct et sans danger du grill.



Nivelage du sol

Il est important pour une utilisation correcte du grill que celui-ci se trouve sur une surface plane.

RACCORDEMENT GRILS AU GAZ PROPANE

Type de gaz

- Votre grill à gaz PL est conçu en usine pour fonctionner en utilisant du propane liquide uniquement. Ne tentez jamais d'utiliser votre grill sur des gaz autres que le type de gaz spécifié sur la plaque nominale du grill.
- Le régulateur fourni avec votre grill à gaz propane liquide est réglé pour une pression de colonne d'eau de 11" et convient pour une utilisation avec du gaz propane liquide uniquement. Ce régulateur et l'ensemble du tuyau fourni en usine doivent être utilisés lorsque vous faites fonctionner votre grill avec une bouteille de gaz PL de 20 lb.
- Si le remplacement du tuyau et/ou du régulateur devient nécessaire, les pièces spécifiées par l'usine sont nécessaires.
- Pour des raisons de sécurité et de conception, la conversion d'un grill Ducane® d'un fonctionnement avec du gaz PL à un fonctionnement avec du gaz naturel nécessite le remplacement de la totalité du dispositif d'alimentation en gaz du grill. Si cela s'avère nécessaire, veuillez consulter votre revendeur pour de plus amples renseignements.

Type de bouteille de propane liquide

Pour les grills à gaz PL, la bouteille d'alimentation en gaz PL qui sera utilisée doit être fabriquée et porter des inscriptions conformes aux spécifications relatives aux Bouteilles de gaz PL du ministère des Transports des Etats-Unis (US Department of Transportation - DOT) ou être des Bouteilles, Sphères et Tubes pour le transport des matières dangereuses au Standard national du Canada, CAN/CSA-B339. Cette bouteille doit être équipée d'une valve de fermeture se terminant dans une sortie de valve de bouteille de gaz propane liquide. Cette valve doit être équipée d'un raccord de Type 1 conforme à la dernière édition de l'ANSI Z21.58.

Ducane recommande l'utilisation des bouteilles des fabricants Manchester et Worthington, d'une capacité de 47,6 lb de liquide. D'autres bouteilles peuvent être acceptables pour une utilisation avec l'appareil à condition qu'elles soient compatibles avec le moyen de rétention de l'appareil (voir l'illustration pour le point de contact du moyen de rétention).

Installation de la bouteille de propane liquide

La bouteille de propane est mise en place à travers le fond du placard inférieur. Soulevez la bouteille de propane liquide et placez-la dans le placard puis posez-la dans l'ouverture du socle. Positionnez l'ouverture de la valve vers l'arrière du grill.

IMPORTANT

- S'il existe des codes régionaux s'appliquant aux grills à gaz portatifs, vous devrez les respecter. L'installation doit être conforme aux codes régionaux ou, en l'absence de codes régionaux, au Code national du gaz combustible, ANSI Z223.1/NFPA 54, au Code d'installation du gaz naturel et du propane, CSA B149.1.
- Vérifiez que la zone qui se trouve sous le panneau de commande et le plateau inférieur sont libres de débris risquant de gêner la circulation de l'air de combustion ou de ventilation.
 - Les alentours de la bouteille de propane liquéfié doivent être dégagés et libres de débris.

Manipulation du gaz propane liquide

Le gaz propane devrait être manipulé et stocké avec précaution. Nous vous suggérons de demander à votre revendeur de gaz propane, lorsque vous faites remplir votre bouteille, de vous expliquer comment manipuler, entretenir et stocker les bouteilles de gaz propane. La plupart des revendeurs seront heureux de vous informer sur la manière de stocker et de manipuler votre bouteille. Assurez-vous que votre bouteille ne soit jamais stockée à l'intérieur ! Conservez-la à l'extérieur dans une zone bien ventilée en position verticale et éloignée de votre grill à gaz.

Installation portative

La tête du grill devient totalement portative lorsqu'elle est montée sur le chariot portatif. Lorsqu'elle est installée ainsi, il est nécessaire d'utiliser une bouteille de propane liquide d'une contenance de 20 lb. N'utilisez aucune autre taille. Le dispositif de retenue de la bouteille est conçu pour recevoir cette taille de bouteille uniquement.

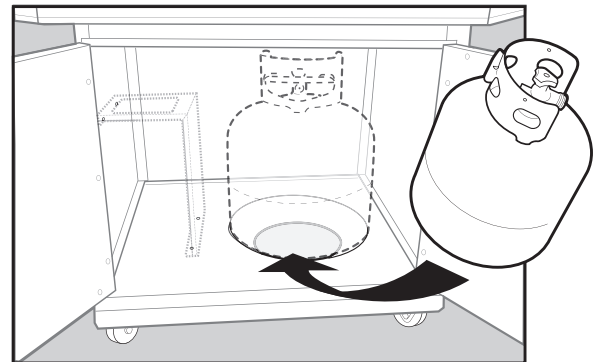
IMPORTANT

Le dispositif d'alimentation de la bouteille de propane liquide doit :

1. Etre équipé d'un dispositif de rejet de gaz de sécurité en communication directe avec l'espace contenant les vapeurs de la bouteille.
2. Etre disposé de manière à permettre l'évacuation de la vapeur.
3. Inclure un collier sur la bouteille afin de protéger la valve de la bouteille.
4. Etre équipé d'un dispositif de protection contre le remplissage excessif (overfill protection device - OPD). La bouteille devrait mesurer 12 pouces de diamètre et sa hauteur devrait être de 18½ pouces.

DETECTION DES FUITES DE GAZ

Avant d'utiliser votre grill et une fois que vous l'avez rechargé en combustible, effectuez une vérification soigneuse pour être certain que tous les raccords sont serrés et qu'il n'existe aucune fuite de gaz. La manière la plus facile de le faire consiste à mélanger un peu d'eau et de savon, comme vous le feriez pour laver la vaisselle. Ouvrez le gaz et brossez autour des raccords avec un peu de ce mélange. Si de nouvelles bulles se forment, vous avez détecté une fuite!



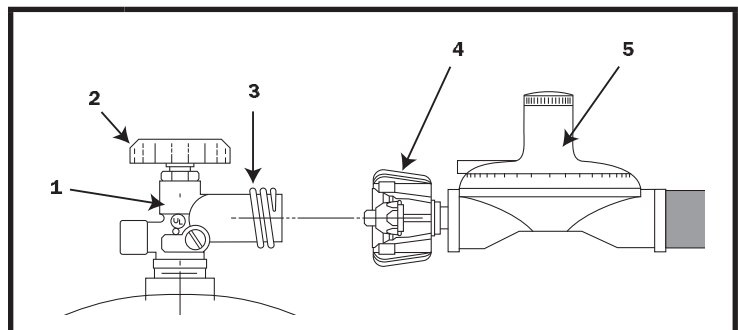
Couplage de raccord de Type 1

Tous les régulateurs des grills à gaz propane liquide Ducane sont équipés de raccords de bouteilles homologués par l'UL conformément à la dernière édition de l'ANSI Z21.58. Ceci nécessitera une bouteille de propane liquide équipée elle aussi d'un raccord de Type 1 dans la valve de la bouteille. Ce couplage de Type 1 vous permet d'effectuer une jonction rapide et totalement sûre entre votre grill à gaz et votre bouteille de propane liquide. Il élimine le risque de fuites provoquées par un raccord POL mal serré. Le gaz ne sortira pas de la bouteille sauf si le couplage de Type 1 est complètement engagé à l'intérieur du couplage.

⚠ AVERTISSEMENT: Le couplage de raccord de Type 1 fourni avec votre grill ne doit pas être remplacé par un système de raccord de grill/bouteille d'un type différent. Le retrait de ce couplage provoquera l'annulation de la garantie et, s'il est mal effectué, pourrait entraîner des blessures graves, la mort, un incendie ou une explosion provoquant des dommages à la propriété.

⚠ AVERTISSEMENT: Ne laissez pas le tuyau du régulateur former une boucle vers le bas du boîtier du brûleur.

Le raccord de valve de la bouteille de propane fourni avec ce grill intègre les quatre protections importantes citées :



ACCOUPLLEMENT DE RACCORD DE TYPE 1

1	VALVE DE TYPE 1
2	MANETTE DE VALVE DU ROBINET
3	FILET EXTERNE
4	ÉCROU THERMIQUEMENT SENSIBLE
5	RÉGULATEUR DE PROPANE

Montage manuel

1. Assurez-vous que la valve de la bouteille et toutes les valves de l'appareil sont dans leur position de fermeture ("OFF").
2. Lorsque vous raccordez l'ensemble régulateur/brûleur à la valve de la bouteille, tournez le grand écrou de plastique dans le sens des aiguilles d'une montre jusqu'à ce qu'il s'arrête.
3. Le gaz ne circulera pas tant que l'écrou de plastique ne sera pas complètement engagé.
4. SERREZ A LA MAIN UNIQUEMENT.

Déconnexion de la bouteille

1. Fermez la valve de la bouteille et toutes les valves de l'appareil ("OFF").
2. Tournez le grand écrou de plastique dans le sens inverse des aiguilles d'une montre pour dégager le couplage.

⚠ AVERTISSEMENT: N'utilisez aucun outil pour serrer le raccord. L'utilisation d'un outil pourrait détériorer le couplage du régulateur et pourrait provoquer une fuite entraînant des

Fermeture activée par la température

Le grand écrou de plastique sur l'ensemble du régulateur est conçu en coordination avec une valve de contrôle à l'intérieur de la bouteille pour fermer le débit de gaz lorsqu'il est exposé à des températures comprises entre 240 et 300°F. En cas d'incendie ou de rupture du tuyau, l'une des protections se mettra en marche pour maîtriser ou arrêter le débit de gaz en provenance de la bouteille de propane. Ne tentez jamais d'utiliser des équipements détériorés.

Vérifications des fuites de gaz

N'utilisez jamais une allumette ou une flamme pour détecter une fuite. Utilisez de l'eau savonneuse ou solution pour tester. Brossez la solution sur les endroits de raccordement et regardez de près pour des bulles indiquant un échappement de gaz. Si les fuites sont détectées, éteignez la valve principale d'approvisionnement et resserrer fermement les raccordements, répétez ensuite le test de fuite.

Sur les modèles à cabinet, effectuez ces opérations avant de mettre la bouteille dans son compartiment de rangement. Après avoir mis la bouteille dans le compartiment, vérifiez de nouveau le bon état des raccordements de la bouteille.

⚠ AVERTISSEMENT: N'UTILISEZ JAMAIS UNE FLAMME NUE POUR LES TESTS DE DÉTECTION DE FUITE DE GAZ. L'UTILISATION D'UNE FLAMME NUE POURRAIT ENTRAÎNER DES BLESSURES GRAVES OU MORTELLES, OU UN INCENDIE OU UNE EXPLOSION ET PAR CONSÉQUENT DES DÉGÂTS MATÉRIELS.

Consignes de sécurité concernant la bouteille de propane

- Rappelez-vous de faire attention en manipulant votre bouteille de propane portable lorsque vous l'apportez chez votre détaillant pour un remplissage. Évitez de l'échapper ou de le heurter contre des objets tranchants. Les bouteilles de propane sont construites solidement, mais une série de chocs violents pourraient endommager la bouteille.
- En transportant la bouteille à votre détaillant local de gaz propane, assurez-vous que la valve est fermée solidement et que la couvercle protecteur est en place. Fixez la bouteille solidement en position verticale pour l'empêcher de rouler dans votre véhicule.
- Si vous planifiez de faire d'autres commissions (magasinage ou autres activités), prévoyez de faire remplir votre bouteille de propane au dernier arrêt avant de retourner à la maison. Encore une fois, fixez la bouteille pleine dans une position verticale, et lorsque vous retournez à la maison, retirez la bouteille pleine de votre véhicule. Ne laissez jamais une bouteille de propane portable à l'intérieur d'un véhicule qui peut surchauffer avec le soleil.
- Votre détaillant local de gaz propane vous offrira avec plaisir les consignes de sécurité additionnelles.

Entreposez la bouteille de propane de façon sécuritaire

Que vous soyez dans votre véhicule de camping entre deux randonnées pédestres ou en train de chercher une place pour garder la bouteille de propane qui fournie le combustible à votre gril extérieur, gardez en tête certaines règles de sécurité de base concernant l'entreposage des bouteilles de propane portables. N'entreposez pas la bouteille — pleine ou vide — à l'intérieur de votre maison, de l'espace de séjour du véhicule de camping, d'un garage, d'un sous-sol ou d'un atelier. Il est peu probable que le propane fuira de la bouteille, mais au cas où, le combustible pourrait être exposé à des étincelles d'automobiles, d'outils électriques ou d'autres appareils. Lors de l'entreposage ou du transport de votre bouteille de propane, il doit rester en position verticale. Ne couchez jamais votre bouteille de propane sur le côté, qu'elle soit pleine ou vide. N'entreposez jamais de bouteille de réserve à proximité de votre gril.

⚠ ATTENTION: Ne transportez ou ne déplacez jamais votre gril ou bouteille de gril sans d'abord fermer manuellement la valve de votre bouteille de gaz propane.

⚠ ATTENTION: Mettre un bouchon antipoussière sur la sortie du robinet d'une bouteille qui n'est pas utilisée. Utiliser

blesures graves, la mort, un incendie ou une explosion provoquant des dommages à la propriété.

Contrôle de débit excessif

L'ensemble du régulateur de propane intègre un dispositif de restriction du débit conçu pour alimenter le grill avec un débit de gaz suffisant, tout en contrôlant tout débit excessif.

Des changements de pression rapides peuvent déclencher le dispositif de restriction. Si la valve de la bouteille est tournée pour laisser le gaz circuler tandis que la valve d'un brûleur est ouverte, l'augmentation brusque de la pression déclenchera l'activation du dispositif. Le dispositif demeurera fermé jusqu'à ce que la pression soit uniforme. Ceci devrait se produire dans un délai de 5 secondes. Si la flamme demeure faible, fermez les valves de gaz, patientez cinq secondes puis rallumez le grill en allumant un brûleur à la fois.

Afin de garantir que cela ne provoque pas de difficulté pour l'allumage du grill, suivez les instructions suivantes :

1. Assurez-vous que toutes les valves des brûleurs sont fermées (OFF).
2. Ouvrez la valve de la bouteille puis attendez 5 secondes.
3. Suivez les instructions pour l'allumage.

IMPORTANT

Lorsque vous raccordez ou que vous remplacez toute canalisation de gaz par des filetages ou des raccords de canalisations, tous les raccords doivent être étanchés avec une matière étanche homologuée pour une utilisation avec le gaz naturel et le gaz propane. Une fois que vous avez effectué les raccords, vérifiez tous les joints afin de détecter toute fuite à l'aide d'une solution d'eau savonneuse et d'une brosse.

uniquement le type de bouchon antipoussière fourni avec le robinet de la bouteille. D'autres types de bouchons pourraient ne pas être étanches et permettre des fuites de propane.

La meilleure place pour entreposer une bouteille de propane est dans un endroit à l'extérieur à l'ombre ou protégé, derrière votre maison ou garage, mais où il est hors de portée des enfants. Le propane ne s'évapore pas, parce que c'est une bouteille robuste et fermée. De plus, il ne perdra pas sa chaleur interne de combustion propre, même si laissée à l'extérieur à l'année.

⚠ AVERTISSEMENT: Lorsque non raccordée à votre gril, tout bouteille de gaz propane doit être entreposée en position verticale dans un lieu frais, à l'ombre, ventilé, à l'extérieur et loin de votre gril ou tout autre source de chaleur. Si cette information n'est pas suivie correctement, un feu pouvant causer la mort ou des blessures sérieuses peut être occasionné.

Remplissage de la bouteille de propane

Il est extrêmement important que votre bouteille de propane soit remplie correctement lorsque vous l'apportez pour être rempli. Assurez-vous d'aller chez un détaillant de propane reconnu et demandé lui (et regardé, si possible) comment il remplit la bouteille et et quand il arrête de la remplir. Une bouteille de propane trop pleine peut être dangereuse.

La façon correcte de remplir une bouteille est par poids. La bouteille vide devrait être placée sur une balance avec les poids de la balance réglés à un poids qui correspond à 80% du total du poids de propane pouvant être contenu dans la bouteille. Lorsque ce poids est atteint, l'opération de remplissage doit être arrêtée. Si la bouteille n'est pas complètement vide, le réglage de la balance doit être changé pour tenir compte du propane déjà présent dans la bouteille.

⚠ AVERTISSEMENT: Une bouteille de propane est trop pleine si elle contient plus de 80% de sa capacité massique totale en propane. Une bouteille de propane mal remplie ou trop pleine peut être dangereuse. Si cette information n'est pas sondée de façon correcte, un feu pourrait être provoqué et causer la mort ou une blessure grave. Si une bouteille est trop pleine et la température cause un réchauffement de la bouteille de propane, (une journée chaude, une bouteille laissée au soleil ou entreposée à l'intérieur) la pression interne est accrue due à l'expansion du propane qui en retour cause l'échappement de gaz propane à travers la valve de décharge de la bouteille. La valve de décharge est un dispositif de sécurité requis sur les bouteilles de propane de 20 lb par le département de transport pour prévenir une défaillance catastrophique de la bouteille due à une pression excessive. L'échappement de gaz propane de la bouteille est inflammable et peut être explosif.

FONCTIONNEMENT NORMAL

Rodage de votre grill

Lorsque vous allumez votre grill pour la première fois, il est recommandé de faire fonctionner le Brûleur principal ou les Brûleurs principaux sur "HI" pendant 20 minutes avec la hotte abaissée puis d'éteindre les brûleurs principaux ("OFF"). Ceci dégraisse le grill.

Allumage de votre grill

⚠ **AVERTISSEMENT:** Avant chaque utilisation de votre grill, il est important d'inspecter la longueur totale du tuyau d'admission de gaz. Si l'existence d'une abrasion ou d'une usure excessive est évidente, ou si le tuyau est coupé, celui-ci doit être remplacé avant la mise en marche de l'appareil.

⚠ **DANGER:** Lorsque la fonction de "régulation de débit de gaz en excès" est activée, une petite quantité de gaz circule toujours en direction des brûleurs. Après avoir fermé (OFF) la valve de la bouteille, patientez au moins 5 minutes pour que le gaz se dissipe avant de tenter d'allumer le barbecue. Le non respect de cette mesure de sécurité pourrait entraîner un embrasement explosif, susceptible de provoquer une blessure ou la mort.

⚠ **DANGER:** Assurez-vous que le couvercle est entièrement ouvert à chaque fois que vous tentez d'allumer votre grill. Le non respect de cette mesure de sécurité pourrait entraîner un retard d'allumage susceptible de provoquer une blessure, la mort, un incendie ou une explosion provoquant des dommages à la propriété.

⚠ **AVERTISSEMENT:** Les boutons de commande du brûleur doivent être positionnés sur OFF avant l'ouverture de la valve du réservoir de la bouteille de propane liquide. S'ils ne sont pas positionnés sur OFF, lorsque vous ouvrez la valve de la bouteille de PL, la fonction de "régulation du débit de gaz en excès" s'active, limitant le débit en provenance de la bouteille de PL. Si cela se produisait, fermez la valve de la bouteille de PL et positionnez les boutons de contrôle du brûleur sur OFF. Recommencez.

Vérifiez votre liste de pièces ou renseignez-vous auprès de votre revendeur agréé pour remplacer correctement l'ensemble du tuyau. Pour les grills à placard inférieur, il sera nécessaire de passer derrière votre grill pour vérifier le tuyau.

UTILISATION DU BOUTON D'ALLUMAGE

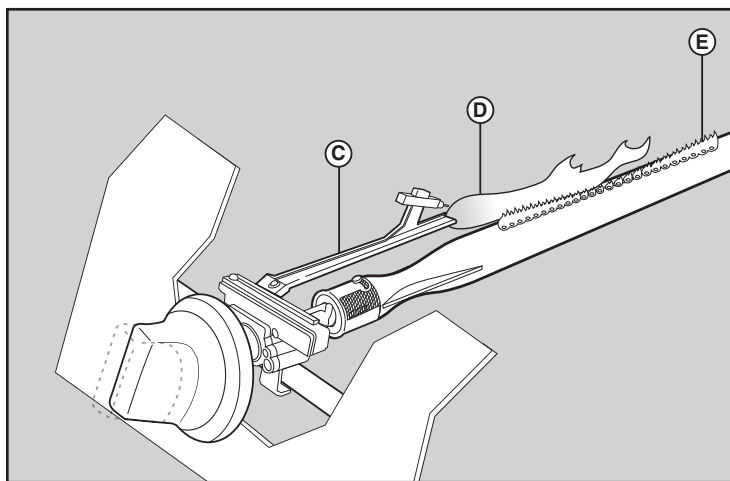
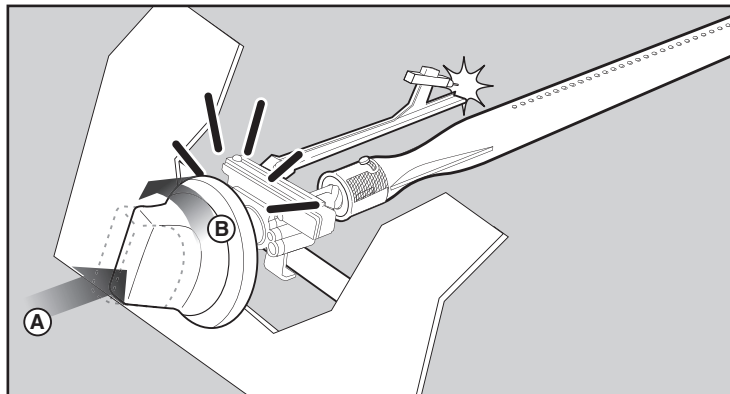
⚠ **Ouvrez toujours le couvercle avant d'allumer les brûleurs.**

Chaque bouton de commande est pourvu d'une électrode d'allumage intégrée. Pour créer une étincelle, vous devez enfoncer le bouton de commande (A) et le tourner vers "START/High" (B).

Cette action génère une circulation de gaz et une étincelle en direction du tube d'allumage du brûleur (C). Vous entendez un déclic en provenance de l'allumeur. Vous voyez également une flamme orange de 3" à 5" sortir du tube d'allumage du brûleur du côté gauche du brûleur (D).

Maintenez le tube du brûleur enfoncé pendant deux secondes après le déclic. Cela permet au gaz de circuler tout le long du tube du brûleur (E) et garantit l'allumage.

Vérifiez que le brûleur est allumé en regardant à travers les grilles de cuisson. Vous devriez voir une flamme. Si le brûleur ne s'allume pas au premier essai, enfoncez le bouton de commande et positionnez-le sur OFF.



⚠ **MISE EN GARDE:** Si le brûleur ne s'allume toujours pas, positionnez le bouton de commande du brûleur sur "OFF" puis patientez 5 minutes pour laisser le gaz se dissiper avant d'essayer à nouveau ou d'essayer d'allumer le brûleur avec une allumette.

Préchauffage du gril

Il est extrêmement important que votre gril soit à température de cuisson avant de commencer à vous en servir. Après l'allumage, fermez le couvercle et préchauffez le gril à "HIGH" pour 10 minutes. Ce préchauffage assurera que la grille de cuisson soit assez chaude pour un grillage adéquat.

⚠ AVERTISSEMENT: Ne laissez jamais un gril sans surveillance. Ceci vous protégera contre les feux de graisse possible devenant impossible à contrôler. Les feux de graisse peuvent être violents et causer des dommages au gril, des dommages matériels et des blessures corporelles.

Ouverture ou fermeture du couvercle pour le grillage

La cuisson avec le couvercle ouvert ou fermé est une question de goût personnel. La cuisson avec le couvercle fermé est recommandé si vous aimez la cuisson à des températures de "saisie" maximum. Cette méthode accélère également le processus de cuisson, et vous donnera une saveur en surface plus corsée et fumée. Si vous préférez la cuisson plus lente, qui s'embrase moins, nous suggérerons la méthode du couvercle ouvert.

Nous recommandons toujours la cuisson avec votre couvercle FERMÉ si vous êtes dans un endroit venteux ou un climat plus froid. Votre gril au gaz Ducane® a été conçu et construit pour vous offrir une flexibilité et une performance de cuisson maximum. Soyez créatif, essayez des méthodes de cuisson différentes sur votre gril pour déterminer laquelle correspond le mieux à votre besoin...il n'y a aucune "bonne" ou "mauvaise" façon de cuisiner...seulement des styles individuels différents.

⚠ AVERTISSEMENT: Veuillez vous rappeler que ceci est un appareil de cuisson au gaz pour l'extérieur. Plusieurs endroits du gril produisent une chaleur extrême. Nous avons pris toutes les précautions pour vous protéger des régions

Allumage par étincelle du brûleur principal

Remarque: Chaque allumeur à bouton de commande crée une étincelle à partir de l'électrode de l'allumeur en direction du tube d'allumage du brûleur. Vous générez l'énergie nécessaire à la création de l'étincelle en enfonçant le bouton de commande et en le tournant vers "START/HI". Ceci allume chaque brûleur individuel.

Suivez les étapes simples énumérées ci-dessous pour allumer le brûleur principal de votre gril :

1. Ouvrez le couvercle et assurez-vous que tous les brûleurs sont à la position "OFF" (FERMÉE).
2. Ouvrez la source d'alimentation principale en gaz.
3. Enfoncez le bouton de commande et tournez-le vers "START/HI" jusqu'à ce que vous entendiez le dé clic de l'allumeur - maintenez le bouton de commande enfoncé pendant deux secondes. Cette action envoie une étincelle vers l'allumeur, le tube d'allumage du brûleur puis le brûleur principal.
4. Vérifiez que le brûleur est allumé en regardant à travers les grilles de cuisson. Vous devriez voir une flamme. si le brûleur ne s'allume pas au premier essai, enfoncez le bouton de commande et positionnez-le sur OFF.

⚠ AVERTISSEMENT: Si l'allumage ne se produit pas encore, tournez la manette de contrôle à "OFF" (FERMÉE) et attendez 5 minutes avant l'allumage manuel du brûleur avec une allumette. Voir les instructions d'allumage par allumette.

de contact. Toutefois, il est impossible d'isoler toutes les régions à température élevée. Par conséquent, utilisez votre bon jugement et un minimum de prudence durant le grillage avec ce produit. Nous suggérons de protéger et de couvrir vos mains durant le fonctionnement du gril. Ne déplacez pas votre gril lorsqu'il est en fonction ou encore chaud au toucher. Attendez jusqu'à ce que votre unité soit éteinte et bien refroidie avant de le déplacer d'un endroit à l'autre. L'omission de respecter cet avertissement pourrait entraîner des blessures.

Gril de post-chauffage

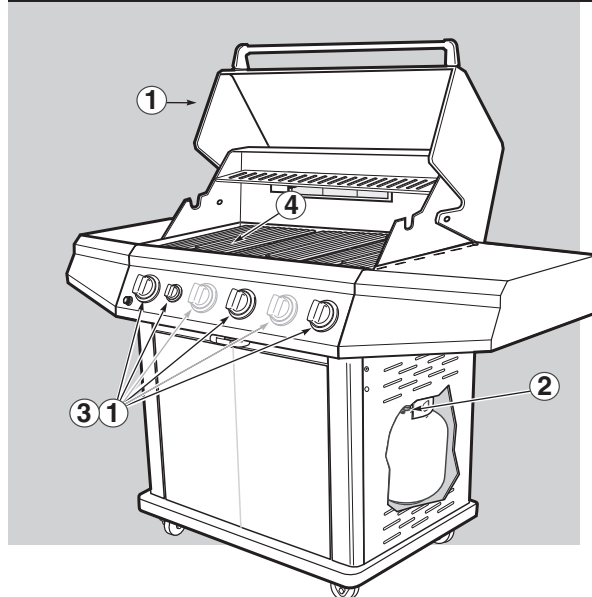
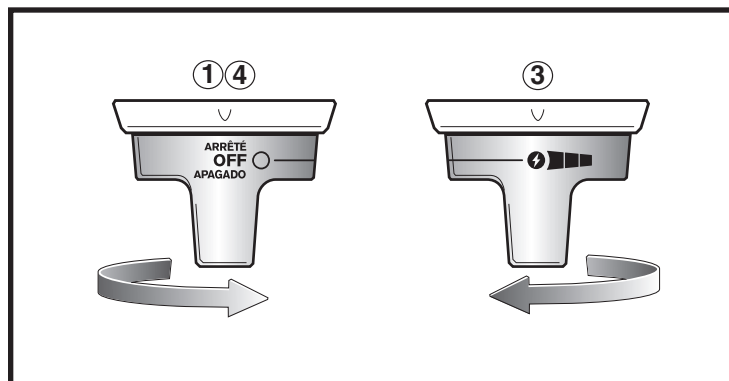
Pour faciliter le nettoyage de votre grille de cuisson et pour vaporiser complètement le jus qui reste, continuez de faire chauffer le gril pendant 10 minutes après la cuisson avec les brûleurs à "HIGH" et le couvercle fermé

⚠ ATTENTION: Ne couvrez pas la grille de cuisson durant la période de post-chauffage.

Après avoir complété le post-chauffage de votre gril, tournez les manettes de contrôle à la position "OFF" (FERMÉE)

Dispositif d'arrêt de la bouteille de propane

Après le refroidissement du boîtier du brûleur, la valve de la bouteille de propane devrait être également fermée. Si vous ne pas voulez pas attendre le refroidissement du boîtier de brûleur, utilisez une main couverte pour fermer la valve de la bouteille de propane.



FONCTIONNEMENT NORMAL

Allumage par allumette du brûleur principal de votre gril

Suivez les étapes simples énumérées ci-dessous pour allumer par allumette un brûleur principal du gril, dans le cas où l'allumage par étincelle échoue :

- ⚠ **AVERTISSEMENT:** (Assurez-vous que 5 minutes se sont écoulées depuis la dernière tentative d'allumage.) Assurez-vous que le couvercle est en position d'ouverture complète en tout temps que vous tentez d'allumer votre gril. L'omission d'ouvrir le couvercle pourrait entraîner un allumage retardé qui peut entraîner des blessures corporelles graves ou la mort, ou un feu ou une explosion causant des dommages matériels
- ⚠ **AVERTISSEMENT:** Ne vous penchez pas au-dessus d'un barbecue ouvert.

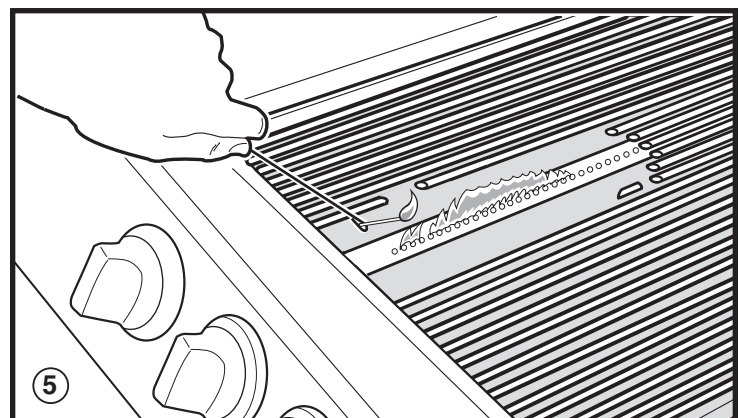
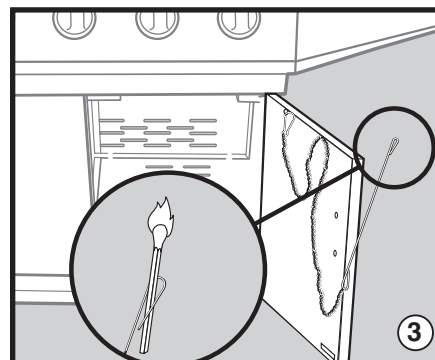
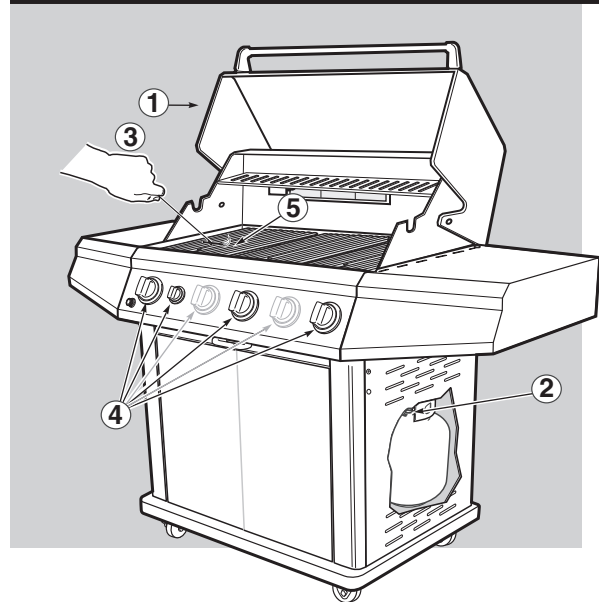
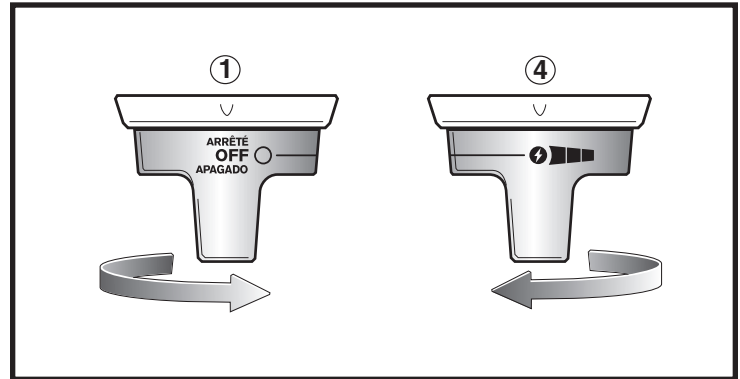
1. Ouvrez le couvercle et assurez-vous que tous les brûleurs sont à la position "OFF" (FERMÉE).

- ⚠ **DANGER:** L'omission d'ouvrir le couvercle pendant l'allumage d'un brûleur principal, ou ne pas attendre 5 minutes pour permettre au gaz de s'évacuer si le brûleur latéral ne s'allume pas, peut provoquer une flamme explosive qui peut causer des blessures corporelles ou la mort.

2. Ouvrez la source d'alimentation principale en gaz.
3. Mettez l'allumette dans le porte-allumette et frottez l'allumette.
4. Appuyez sur la manette de contrôle du brûleur principal sélectionné et tournez-la à "HIGH".
5. Insérez le porte-allumette et allumez l'allumette vers le bas à travers la grille de cuisson pour allumer le brûleur principal sélectionné.

- ⚠ **AVERTISSEMENT:** Si le brûleur ne s'allume pas, tournez la manette de contrôle du brûleur sélectionné à "OFF" (FERMÉE) et attendez 5 minutes pour laisser le gaz s'évacuer avant d'essayer encore d'allumer un brûleur.

6. Vérifiez si le brûleur principal sélectionné a été allumé par inspection visuelle d'une flamme.



FUNCTIONNEMENT NORMAL

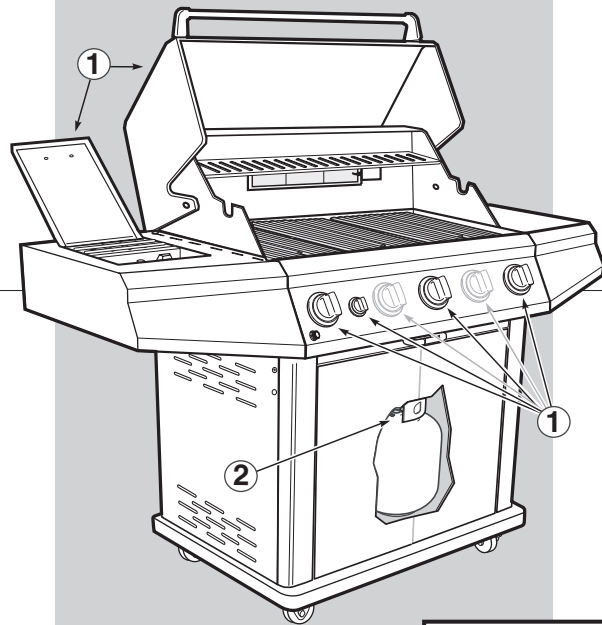
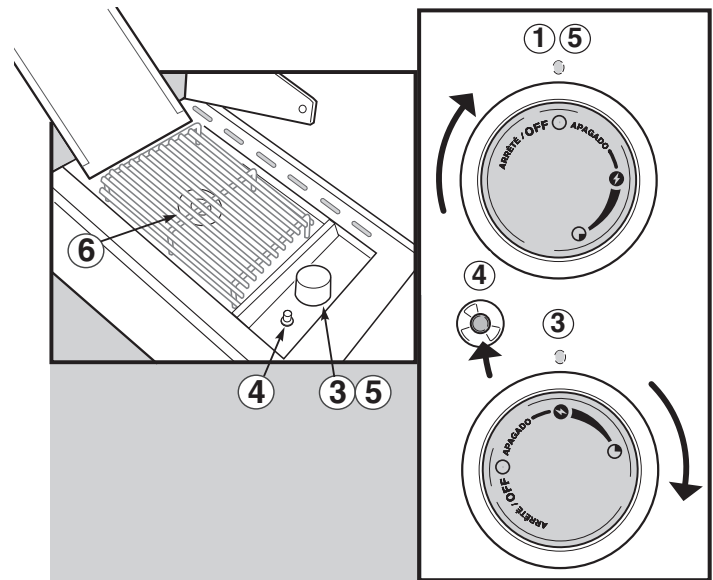
Allumage Du Brûleur Lateral

Suivez les étapes simples ci-dessous pour allumer le Brûleur latéral (BL) de votre grill:

⚠ DANGER: Le fait de ne pas ouvrir le couvercle en allumant le brûleur latéral ou de ne pas patienter 5 minutes pour laisser le gaz se dissiper si le brûleur latéral ne s'allumait pas pourrait provoquer un embrasement explosif susceptible de provoquer des blessures ou la mort.

1. Ouvrez le couvercle du brûleur latéral. Vérifiez que le brûleur latéral est positionné sur "OFF". (Enfoncez le bouton de commande et tournez dans le sens des aiguilles d'une montre pour vous assurer qu'il est positionné sur "OFF"), positionnez tous les brûleurs inutilisés sur "OFF" (Enfoncez et tournez dans le sens des aiguilles d'une montre).
2. Ouvrez l'arrivée de gaz principale.
3. Enfoncez le bouton de commande du BRULEUR LATERAL et positionnez-le sur "HI".
4. Appuyez plusieurs fois sur le bouton de l'allumeur de sorte qu'il produise un dé clic à chaque fois.
5. Si l'appareil ne s'allume pas en 5 secondes, fermez le robinet du brûleur, attendez 5 minutes, et procédez de nouveau à l'allumage.
6. Vérifiez si le brûleur latéral s'est allumé en effectuant une inspection visuelle de la flamme.

⚠ AVERTISSEMENT: Si l'allumage ne se produit toujours pas, positionnez le bouton de commande sur OFF et patientez 5 minutes avant d'allumer le brûleur manuellement au moyen d'une allumette. Voir les instructions pour l'Allumage avec une allumette.



Allumage du brûleur latéral de votre grill au moyen d'une allumette

Suivez les étapes simples ci-dessous pour allumer le Brûleur latéral du grill au moyen d'une allumette, au cas où l'allumage électronique ne fonctionnerait pas :

1. Ouvrez le couvercle du brûleur latéral. Vérifiez que le brûleur latéral est positionné sur "OFF". (Enfoncez le bouton de commande et tournez dans le sens des aiguilles d'une montre pour vous assurer qu'il est positionné sur "OFF"), positionnez tous les brûleurs inutilisés sur "OFF" (Enfoncez et tournez dans le sens des aiguilles d'une montre).

⚠ DANGER: Le fait de ne pas ouvrir le couvercle lorsque vous allumez le Brûleur latéral, ou de ne pas patienter 5 minutes pour laisser le gaz se dissiper si le Brûleur latéral ne s'allumait pas, peut provoquer un embrasement explosif susceptible de provoquer une blessure ou la mort.

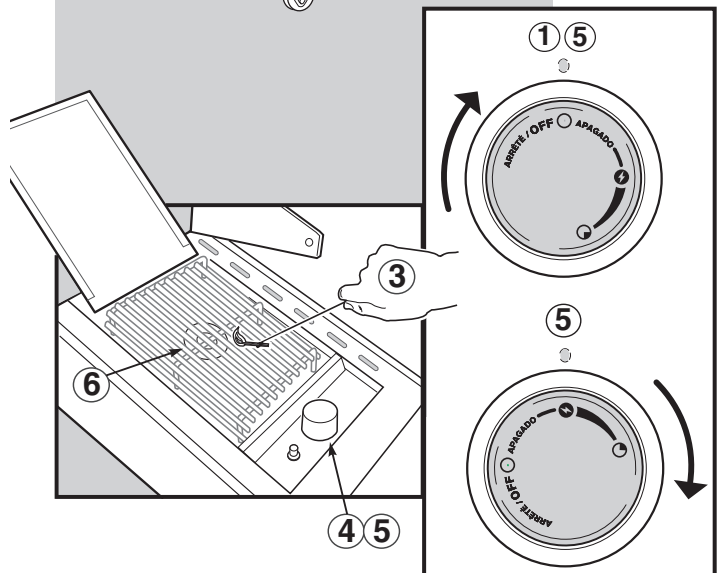
2. Ouvrez l'admission de gaz principale.
3. Placez l'allumette dans le porte-allumette puis frottez l'allumette.

⚠ AVERTISSEMENT: Ne vous penchez pas au-dessus d'un barbecue ouvert.

4. Enfoncez le bouton de commande du Brûleur latéral puis positionnez-le sur "HI".
5. Insérez le porte-allumette et allumez l'allumette à travers la grille pour allumer le Brûleur latéral. Si l'appareil ne s'allume pas en 5 secondes, fermez le robinet du brûleur, attendez 5 minutes, et procédez de nouveau à l'allumage.

⚠ AVERTISSEMENT: Si le brûleur ne s'allume pas, tournez le bouton de commande du Brûleur latéral pour le positionner sur OFF puis patientez 5 minutes afin de laisser le gaz se dissiper avant de tenter à nouveau d'allumer le brûleur.

6. Vérifiez que le Brûleur latéral s'est allumé en effectuant une inspection visuelle de la flamme.



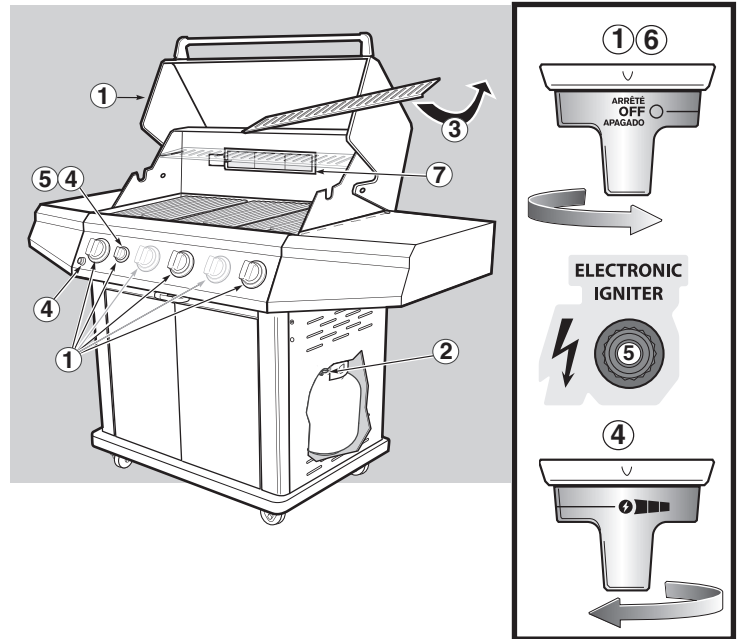
FONCTIONNEMENT NORMAL

Allumage électronique du brûleur de la rôtisserie

Suivez les étapes simples énumérées ci-dessous pour allumer le brûleur de la rôtisserie de votre gril :

- ⚠ **DANGER:** L'omission d'ouvrir le couvercle pendant l'allumage du brûleur de la rôtisserie, ou ne pas attendre 5 minutes pour permettre au gaz de s'évacuer si le brûleur de la rôtisserie ne s'allume pas, peut entraîner une flamme explosive qui peut causer des blessures corporelles ou la mort.
- ⚠ **ATTENTION:** La flamme du brûleur de la rôtisserie peut être difficile à voir lors d'une journée ensoleillée.

1. Ouvrez le couvercle et assurez-vous que tous les brûleurs sont à la position "OFF" (FERMÉE).
2. Ouvrez la source d'alimentation principale en gaz.
3. Retirez la grille de réchauffement. REMARQUE : Enlevez toujours la grille de chauffage lors de l'utilisation de la rôtisserie.
4. Appuyez sur la manette de contrôle du brûleur de la rôtisserie et tournez-la à "HIGH".
5. Enfoncez le bouton d'allumage électronique. Continuez de tenir la manette de contrôle du brûleur de la rôtisserie durant 20 secondes après que le brûleur s'est allumé. Ensuite relâchez la manette de contrôle du brûleur de la rôtisserie.
6. Si l'allumage ne se produit pas avant 5 secondes, tournez la manette de contrôle à "OFF" (FERMÉE) et répétez l'allumage des étapes 4.
7. Vérifiez si le brûleur de la rôtisserie est allumé par inspection visuelle d'une flamme. (Le brûleur rougeoiera.)



- ⚠ **AVERTISSEMENT:** Si l'allumage ne se produit pas encore, tournez la manette de contrôle à "OFF" (FERMÉE) et attendez 5 minutes avant l'allumage manuel du brûleur avec une allumette. Voir les instructions d'allumage par allumette.

Allumage par allumette du brûleur de votre rôtisserie

Suivez les étapes simples énumérées ci-dessous pour allumer par allumette le brûleur de la rôtisserie du gril, dans le cas où l'allumage électronique échoue :

1. Ouvrez le couvercle et assurez-vous que tous les brûleurs sont à la position "OFF" (FERMÉE).

- ⚠ **DANGER:** L'omission d'ouvrir le couvercle pendant l'allumage du brûleur de la rôtisserie, ou ne pas attendre 5 minutes pour permettre au gaz de s'évacuer si le brûleur de la rôtisserie ne s'allume pas, peut provoquer une flamme explosive qui peut causer des blessures corporelles ou la mort.

2. Ouvrez la source d'alimentation principale en gaz.
3. Retirez la grille de réchauffement. REMARQUE : Enlevez toujours la grille de chauffage lors de l'utilisation de la rôtisserie.
4. Mettez l'allumette dans le porte-allumette et frottez l'allumette.

- ⚠ **AVERTISSEMENT:** Ne vous penchez pas au-dessus d'un barbecue ouvert.

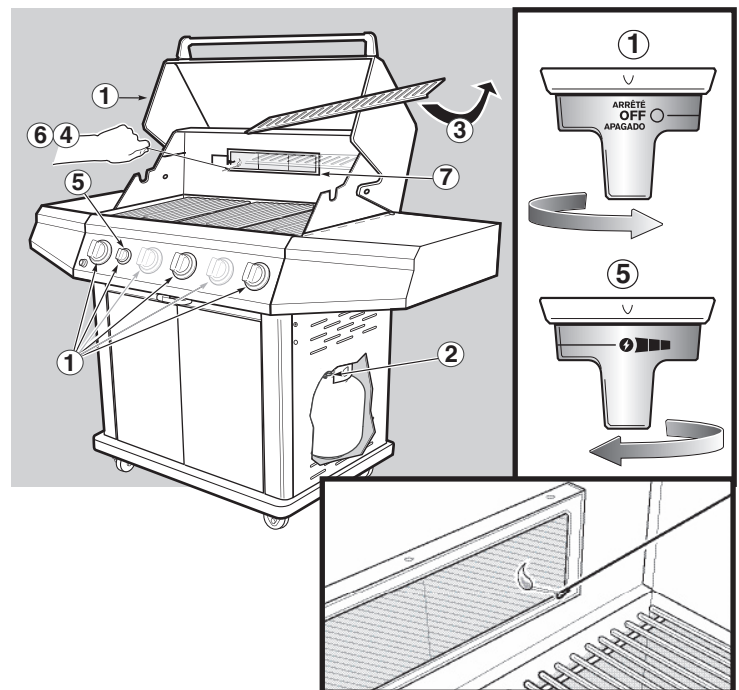
5. Appuyez sur la manette de contrôle du brûleur de la rôtisserie et tournez-la à "HIGH". Continuez de tenir la manette de contrôle du brûleur de la rôtisserie jusqu'à 20 secondes après avoir allumé le brûleur. Ensuite relâchez la manette de contrôle du brûleur de la rôtisserie.
6. Tenez le porte-allumette et l'allumette allumée au milieu du brûleur de la rôtisserie pour allumer.

- ⚠ **AVERTISSEMENT:** Si le brûleur ne s'allume pas, tournez la manette de contrôle du brûleur sélectionné à "OFF" (FERMÉE) et attendez 5 minutes pour laisser le gaz s'évacuer avant d'essayer d'allumer un brûleur de nouveau.

7. Vérifiez si le brûleur de la rôtisserie a été allumé par inspection visuelle d'une flamme. (Le brûleur rougeoiera.)

- ⚠ **AVERTISSEMENT:** Ne laissez jamais un gril sans surveillance. Ceci vous protégera contre les feux de graisse possible devenant impossible à contrôler. Les feux de graisse peuvent être violents et causer des dommages au gril, des dommages matériels et des blessures corporelles.

- ⚠ **AVERTISSEMENT:** Veuillez vous rappeler que ceci est un appareil de cuisson au gaz pour l'extérieur. Plusieurs



endroits du gril produisent une chaleur extrême. Nous avons pris toutes les précautions pour vous protéger des régions de contact. Toutefois, il est impossible d'isoler toutes les régions à température élevée. Par conséquent, utilisez votre bon jugement et un minimum de prudence durant le grillage avec ce produit. Nous suggérons de protéger et de couvrir vos mains durant le fonctionnement du gril. Ne déplacez pas votre gril lorsqu'il est en fonction ou encore chaud au toucher. Attendez jusqu'à ce que votre unité soit éteinte et bien refroidie avant de le déplacer d'un endroit à l'autre. L'omission de respecter cet avertissement pourrait entraîner des blessures.

Utilisation de la rôtisserie

AVERTISSEMENTS:

- ⚠ Lisez toutes les instructions avant l'utilisation de votre rôtisserie.
- ⚠ Cette rôtisserie est pour utilisation extérieure seulement.
- ⚠ Retirez le moteur et entreposez-le dans un endroit sec lorsqu'il n'est pas en service.
- ⚠ Ne touchez pas les surfaces chaudes. Utilisez des mitaines de barbecue.
- ⚠ Cette rôtisserie n'est pas pour utilisation par des enfants.
- ⚠ Pour vous protéger contre les dangers électriques ne plongez pas le cordon, les prises de courant ou le moteur dans l'eau ou d'autres liquides.
- ⚠ Débranchez le moteur de la prise de courant lorsqu'il n'est pas en service ou en nettoyage.
- ⚠ N'utilisez pas la rôtisserie pour tout autre utilisation.
- ⚠ Assurez-vous que le moteur est à "OFF" (FERMÉE) avant de le placer sur le support du moteur.
- ⚠ Ne faites pas fonctionner le moteur de la rôtisserie avec un cordon ou une prise de courant endommagés.
- ⚠ Ne faites pas marcher le moteur de la rôtisserie s'il ne fonctionne pas bien.
- ⚠ Le moteur de la rôtisserie est équipé avec un cordon électrique à trois broches (mise à la terre) pour votre protection contre les dangers de choc.
- ⚠ Le cordon électrique devrait être branché correctement directement dans les trois broches du réceptacle de mise à la terre. Si l'utilisation d'un cordon d'extension est requise, assurez-vous que le cordon soit au minimum 16 AWG avec 3 fils bien isolés, et identifié pour UTILISATION EXTÉRIEURE SEULEMENT et correctement mise à la terre.
- ⚠ En utilisant un cordon d'extension, assurez-vous qu'il n'est pas en contact avec une surface chaude ou tranchante.
- ⚠ Les cordons d'extension extérieurs devraient être identifiés avec les lettres "W-A" et étiquetés "Convient pour utilisation avec appareils électriques extérieurs".
- ⚠ Ne coupez pas ou ne retirez pas les broches de mise à la terre du cordon électrique du moteur de la rôtisserie.
- ⚠ Ne laissez pas le cordon suspendre au-dessus de tout bord tranchant ou toute surface chaude.
- ⚠ N'exposez pas à la pluie.
- ⚠ Pour réduire le risque de choc électrique, maintenez le raccordement du cordon d'extension sec et éloigné du sol.
- ⚠ Un cordon électrique court est fourni pour réduire le risque de trébucher avec le cordon. Les cordons d'extension peuvent être utilisés, mais certaines précautions doivent être prises pour prévenir le trébuchement avec le cordon.
- ⚠ En l'absence de normes régionales, le moteur de la rôtisserie doit être mise à la terre électriquement conformément au Code d'Électricité National, ANSI/NFPA 70, ou au Code d'Électricité Canadien, CSA C22.1.

⚠ AVERTISSEMENT: Préparez la rôtisserie avec la nourriture avant l'allumage du brûleur de la rôtisserie.

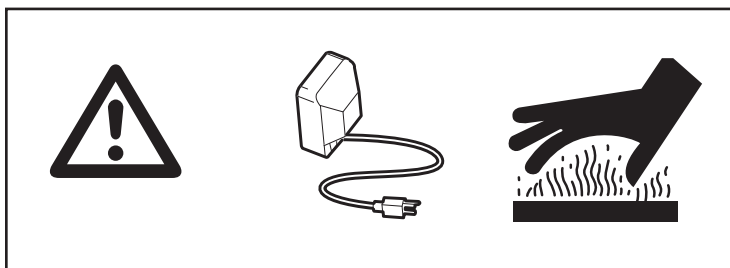
Utilisation de la rôtisserie

1. Retirez l'arbre de rôtisserie du gril.
2. Desserrez et retirez le pallier de roulement latéral droit, le contrepoids et la fourchette du côté droit.
3. Poussez l'arbre de rôtisserie à travers le centre de la nourriture.
4. Glissez la fourchette du côté droit sur l'arbre. Insérez les dents des deux fourchettes dans la nourriture. La nourriture devrait être centrée sur l'arbre. Serrez la vis à serrage à main de la fourchette.
5. Placez la rainure du pallier de roulement latéral gauche (soudé en place) dans l'entaille de support de la tige de broche du côté gauche.
6. Placez le pallier de roulement latéral droit sur la tige de broche et insérez l'extrémité pointue de la tige de broche dans le moteur de la rôtisserie.
7. Alignez la rainure sur le pallier de roulement latéral droit avec l'entaille du support de la tige de broche du côté droit et glissez le moteur au-dessus de la bride du support d'installation du moteur et poussez vers le bas. REMARQUE : La vis à serrage à main est seulement serrée lorsque la rôtisserie n'est pas en service. Ne serrez pas la vis à serrage à main pendant l'utilisation pour que la tige de broche puisse tourner librement.
8. L'arbre de rôtisserie devrait tourner de manière à ce que le côté lourd de la viande ou du poulet tourne en bas au fond. Les grandes coupes de viande peuvent exiger l'enlèvement de la grille de cuisson pour permettre la pleine rotation de la tige de broche. REMARQUE : Réinstallez la nourriture et/ou utilisez le contrepoids si nécessaire pour un meilleur équilibre sur la tige de broche. Le contrepoids peut être installé après l'étape 5 ci-dessus.
9. Branchez le moteur et mettez-le en marche.
10. Suivez les instructions d'allumage.

La cuisson avec la rôtisserie

- Lors de l'utilisation de la rôtisserie, le couvercle doit être fermé sauf durant le badigeonnage.
- Les viandes (à part le poulet et la viande hachée) devraient être ramenées à la température de pièce avant la cuisson. (20 à 30 minutes devraient suffire pour la plupart des aliments. Si congelé, décongelez complètement avant la cuisson.)
- Attachez la viande ou le poulet avec une ficelle, si nécessaire, pour rendre la forme aussi uniforme que possible avant de le mettre sur la broche.
- Retirez les grilles de cuisson et la grille de réchauffement pour permettre à la nourriture de tourner librement.
- Suivez les instructions d'allumage pour le brûleur de la rôtisserie sous la section "Allumage de votre gril".
- Réglez le brûleur de la rôtisserie à "MED-HIGH" selon la température extérieure de l'air.
- Placez la nourriture près de l'emplacement du brûleur.
- Si vous souhaitez garder le jus de viande, placez un bac d'égouttement directement sous la nourriture au-dessus des plaques de distribution de chaleur.
- Les étapes de préparation de la nourriture pour la cuisson de rôtisserie sont les mêmes que pour la cuisson régulière.

REMARQUE: Lors de l'utilisation du brûleur de la rôtisserie, le thermomètre du gril ne reflétera pas la température à l'intérieur du boîtier de cuisson.



Flammes explosives

En tout temps que vous chauffez des aliments gras au-dessus d'une flamme nue, vous pouvez vous attendre à des flammes explosives. Les flammes explosives sont causées par l'éclat qui se produit lorsque le jus naturel tombe sur les plaques de distribution de chaleur. Les flammes explosives contrôlées donnent aux aliments leur saveur délicieuse et leur apparence de plein air. Les flammes explosives excessives peuvent se produire lorsque votre grill n'est pas à niveau ou pendant la cuisson des aliments gras tels que des côtes levées et des morceaux de poulet, surtout si la température de cuisson est réglée à un niveau trop élevé. Ces flammes explosives devraient être contrôlées ou votre nourriture brûlera, bien qu'il ne brûlera pas autant que vous le pensez même dans la flamme directe.

⚠ AVERTISSEMENT: N'arrosez pas ou ne versez pas de liquide dans le boîtier de cuisson pour contrôler les flammes explosives. Si vous le faites, votre garantie s'annulera et vous pouvez endommager le grill.

Pour vous aider à contrôler les flammes explosives, nous suggérons d'utiliser des coupes de viande plus minces et retirez l'excès de gras des viandes à griller. De plus, votre grill devrait être à niveau. Si les flammes explosives se produisent, utilisez le réglage de contrôle "LOW" et replacez la viande sur la grille de cuisson jusqu'à ce que les flammes explosives s'atténuent.

1. Pour prévenir la nourriture de coller à la grille, préchauffez la surface de cuisson avec le couvercle baissé pour 10 minutes. Placez le produit de viande sur la grille et laissez-le là pour au moins la moitié du temps de cuisson suggéré.
2. Il n'est pas nécessaire de tourner continuellement les produits de viande — laissez-les saisir et sceller leur jus à l'intérieur, puis, à la mi-temps de la période de cuisson, avec une spatule, tournez le produit de viande sur l'autre côté. En grillant du poulet, placez toujours d'abord le côté de viande sur le grill.
3. Une légère couche d'huile appliquée sur tous les produits de viande avant de griller aidera aussi. L'utilisation d'un produit commercial en pulvérisateur pour la cuisson est utile également. Cette huile pulvérisée devrait être utilisée seulement avant l'allumage de votre grill mais jamais pendant la période de cuisson. L'utilisation d'un produit de cuisson pulvérisé peut laisser une tâche noire sur certaines régions de votre grille de cuisson. Ceci n'est pas nuisible et n'affecte pas la cuisson; toutefois, si ceci devient un problème d'apparence, la meilleure façon d'enlever la décoloration est de mettre la grille de cuisson dans un four autonettoyant durant un cycle de nettoyage.

Entreposage de grils au gaz propane

Après avoir terminé la cuisson et nettoyé votre grill (voir la section Entretien pour le nettoyage) éteignez votre grill !

Lorsque le grill portable doit être entreposé à l'intérieur, le raccordement entre la bouteille d'approvisionnement de gaz propane et le grill doit être déconnecté, et la bouteille doit être retirée du grill et entreposée à l'extérieur dans un endroit bien ventilé. Lorsque la bouteille de gaz propane n'est pas enlevée du grill, le grill et la bouteille doivent être entreposés à l'extérieur dans un espace bien ventilé.

Évaluation de la quantité de combustible dans la bouteille de propane

Pour évaluer la quantité de combustible au propane restant dans votre bouteille de gaz, (pour une bouteille de propane sans jauge) le grill doit être en fonction. Placez votre main sur le dessus de la bouteille et descendez-la le long de la paroi latérale jusqu'à ce que vous sentiez la bouteille plus fraîche au toucher de votre main. Ceci vous indiquera la quantité approximative de gaz propane dans votre bouteille.

Orifice de la valve de gaz

⚠ AVERTISSEMENT: Toute altération faite aux orifice(s) tel que le perçage, annulera votre garantie et peut entraîner des blessures corporelles graves ou la mort, ou un feu ou une explosion causant des dommages matériels.

Durant l'utilisation de la rôtisserie

⚠ AVERTISSEMENT: Le moteur de la rôtisserie doit être entreposée à l'intérieur lorsqu'il n'est pas en service. Ne le laissez pas installé sur le grill.

1. Lors de l'utilisation de la rôtisserie, le couvercle doit être fermé sauf pendant le badigeonnage.
2. Important : allumez toujours le brûleur de la rôtisserie avec le couvercle en position d'ouverture complète.
3. Il est important de bien balancer la viande sur la tige de broche. Ceci peut s'avérer difficile surtout avec une dinde. Le balancement mènera à une cuisson plus égale et prolongera la durée de vie du moteur de la rôtisserie.
4. Des pinces peuvent être utilisées pour serrer la vis à serrage à main sur les fourchettes de viande lorsque des coupes de viande plus grandes sont en train d'être rôties.
5. Utilisez de la ficelle pour fixer la viande sur la tige de broche, surtout pour la volaille ou autres coupes de viande qui doivent être attachées.

Support de rôtisserie (Support du côté moteur)

En installant le moteur de la tige de broche sur le support du moteur (boîtier du brûleur du côté droit), les oreilles du support du moteur doivent être complètement insérées dans les fentes du moteur de la broche. Vous pouvez accomplir ceci en glissant le moteur de broche vers le bas jusqu'aux arrêts du support du moteur de la broche.

La tige de broche ne devrait pas être en contact superficiel avec la fente dans la broche du support du moteur. Voir le Guide d'assemblage pour plus d'information.

Étagère/Étagères

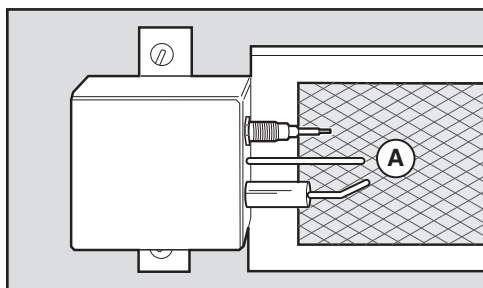
N'utilisez pas d'étagère ou d'étagères comme planche(s) à couper. Nettoyez avec du savon et de l'eau.

Grils mobiles portables

Lorsque votre grill n'est pas en service et que vous souhaitez le replacer, nous recommandons que vous appuyiez sur le grill du côté de l'étagère.

⚠ ATTENTION: Si votre grill est portable et que vous utilisez une bouteille de gaz, assurez-vous que vous tournez d'abord les manettes de contrôle de l'appareil, et ensuite la bouteille d'alimentation en gaz. Sur les installations permanentes, il est fortement recommandé que la valve d'arrêt installée entre deux tuyaux soit également fermée lorsque le grill n'est pas en service.

PROBLÈME	VÉRIFICATION - SOLUTION	IMPORTANT
SYSTÈME D'ALLUMAGE	Assurez-vous qu'il y a un écoulement de gaz vers tous les brûleurs en tentant d'allumer par allumette vos brûleurs. Si l'allumage par allumette réussit, le problème est ailleurs dans le système d'allumage et exigera une vérification.	
BRÛLEURS PRINCIPAUX DU GRIL	<p>⚠ ATTENTION: Fermez toujours la source d'alimentation en gaz (s'il est portable – à la bouteille, si installation de gaz naturel – au dispositif principal d'arrêt de gaz) avant de continuer avec toute procédure de dépannage.</p> <p>Si, pour tout raison, l'allumage par étincelle échoue en essayant d'allumer un brûleur principal du gril, répétez les procédures d'allumage décrites sur le panneau de contrôle du gril.</p> <p>⚠ AVERTISSEMENT: Le couvercle doit être en position d'ouverture complète en tout temps lorsque vous tentez d'allumer votre gril. L'omission d'ouvrir le couvercle pourrait entraîner un allumage retardé pouvant entraîner des blessures corporelles.</p> <p>Après la fermeture de l'alimentation principale de gaz, retirez la grille de cuisson et les plaques de distribution de chaleur. Tournez l'allumage par étincelle dans le sens anti-horaire et vérifiez si l'électrode s'étincelle au tube d'allumage. Essayez l'allumage par étincelle plusieurs fois.</p>	<p>Si le brûleur principal échoue encore à l'allumage, assurez-vous qu'il y a un écoulement de gaz au(x) brûleur(s) en tentant d'allumer un brûleur avec une allumette. Si le brûleur s'allume par allumette, alors vérifiez le système d'allumage.</p> <p>Si pour tout raison le système d'allumage ne fonctionne toujours pas, suivez les instructions d'allumage par allumette.</p>
ALLUMAGE ÉLECTRONIQUE DU BRÛLEUR DE LA RÔTISSERIE	Avec une pile neuve installée, appuyez sur le bouton d'allumage électronique et vérifiez s'il y a une étincelle entre les deux pointes d'électrode. Il doit y avoir une distance de 1/8" à 3/16" entre les pointes d'électrode. Si la distance est plus ou moins grande, pliez délicatement les pointes d'électrode jusqu'à ce que vous ayez la distance correcte de 1/8" à 3/16". (A).	<p>Vérifiez que la pile est en bonne condition et installée correctement. Si c'est le cas, essayez une nouvelle pile.</p> <p>Si pour tout raison le système d'allumage ne fonctionne toujours pas, suivez les instructions d'allumage par allumette.</p>
BRÛLEURS AVEC FLAMME FAIBLE	<p>Vérifiez pour vous assurer que les ports du brûleur, l'obturateur, l'extrémité du brûleur (venturi) et le(s) orifice(s) sont libres de toute obstruction. De plus, si votre gril a été entreposé pour une période de temps prolongée, vérifiez pour vous assurer qu'aucune toile d'araignée a été formée dans l'obturateur à l'extrémité du brûleur (venturi) ou au-dessus des orifices.</p> <p>Sur un gril au propane, si une flamme extrêmement faible est présente, ou est difficile à allumer, le dispositif limitant l'écoulement peut avoir été activé. Pour réinitialiser le limiteur d'écoulement, tournez toutes les manettes de contrôle des brûleurs à "HIGH". Attendez au moins 1 minute. Tournez les manettes de contrôle des brûleurs à "OFF" (FERMÉE), raccordez le régulateur à la bouteille. Tournez lentement la valve de la bouteille. Référez-vous aux Instructions d'allumage.</p>	Si vous avez encore une flamme faible, veuillez contacter le détaillant pour assistance supplémentaire ou appelez le service à la clientèle au 1-800-DUCANES
L'ALLUMAGE DU BRÛLEUR LATÉRAL NE FONCTIONNE PAS.	Le brûleur s'allume-t-il avec une allumette ?	Si une allumette allume le brûleur, vérifiez l'allumeur (voir la Section Maintenance du brûleur latéral).
<p>Si vous ne parvenez pas à résoudre les problèmes grâce à ces méthodes, veuillez contacter le Représentant du service client de votre région à l'aide des coordonnées disponibles sur notre site Internet. Connectez-vous sur www.ducane.com.</p>		



Oui! Vous avez payé beaucoup d'argent pour votre gril, mais même un gril dispendieux ne se nettoie ou ne s'entretient pas par lui-même, mais vous voulez qu'il paraisse bien et fonctionne correctement. C'est pourquoi cette section de votre manuel est si importante. Cette section vous donne l'information nécessaire pour vous aider à garder une apparence neuve et un fonctionnement optimal à votre gril. Lisez et suivez les instructions sur votre gril dans cette section pour faire durer votre investissement pendant encore plusieurs années.

Horaires d'entretien du gril de 90 jours

Il est recommandé qu'à chaque 90 jours, la procédure d'entretien qui suit soit respectée, mais il est absolument nécessaire d'exécuter cet entretien au moins une fois par année. De cette façon vous prolongerez la durée de vie de votre gril au gaz.

Nettoyage du couvercle

L'extérieur du couvercle doit se nettoyer avec un produit pour acier inoxydable. L'intérieur du couvercle peut se nettoyer avec de l'eau chaude additionnée de détergent liquide pour retirer les dépôts de graisse.

⚠ AVERTISSEMENT: N'utilisez pas le panneau de contrôle comme poignée pour lever le barbecue. Le fait de lever par le panneau de contrôle peut endommager les pièces liées au gaz et à l'électricité. Tout dommage aux pièces liées au gaz et à l'électricité peut provoquer des blessures graves ou mortelles et des dégâts matériels.

IMPORTANT

- Éloignez et dégagez l'appareil de matériaux combustibles, d'essence et d'autres vapeurs et liquides inflammables en tout temps.
- Ne placez pas votre gril de telle manière à créer de l'obstruction à l'écoulement d'air de combustion et de ventilation autour du gril.
- Lors de votre horaire d'entretien régulier, assurez-vous que toutes les ouvertures de ventilation sont libres et dégagées de débris.

Nettoyage de l'acier inoxydable de la grille de cuisson

Pour assurer le bon fonctionnement du gril, nettoyez régulièrement la grille de cuisson en acier inoxydable.

1. L'acier inoxydable de la grille de cuisson peut être facilement nettoyé après la période post-chauffage. Fermez le gaz seulement 10 minutes après avoir terminé le post-chauffage. Ouvrez le couvercle avec une main recouverte et en utilisant une brosse de laiton, frottez la surface de la grille.

La grille de cuisson Ducane® en acier inoxydable a été construite d'un acier inoxydable solide et robuste. Vous trouverez que cette surface de cuisson est extrêmement durable tout en fournissant plus de chaleur directement à votre surface de cuisson pour une cuisson plus rapide et plus économique.

Nettoyage des plaques de distribution de chaleur

Vos plaques de distribution de chaleur en acier inoxydable devraient également être brossées en utilisant une brosse de laiton à manche longue. Ensuite, la même solution savonneuse mentionnée à l'étape 1 devrait être utilisée.

Nettoyage du boîtier du brûleur

Nettoyez la grille de cuisson et les plaques de distribution de chaleur lorsque enlevées du boîtier du brûleur. Éliminez tout cendre ou dépôt sur le boîtier du brûleur en utilisant de l'eau chaude savonneuse et un linge doux. Permettez de sécher avant de replacer toutes les pièces.

Une petite quantité de graisse peut s'accumuler sur le dessous du boîtier du brûleur.

La graisse peut être grattée et jetée avec un couteau multi-usage. Utilisez la même solution savonneuse de la page 32 pour nettoyer après avoir gratté.

La cuisson prolongée avec le couvercle en position baissée peut causer une accumulation de graisse à l'intérieur du couvercle qui commencera à s'écailler (ceci n'est pas de la peinture). Si ceci se développe, nettoyez l'intérieur du couvercle avec une solution chaude d'eau et de savon. Soyez prudent pour ne pas mouiller le brûleur.

Conservation de votre cabinet, de votre panneau de contrôle et de votre/vos étagère(s)

Votre cabinet, votre panneau de contrôle et vos étagères sont fabriqués à partir d'acier inoxydable. Garder une belle apparence à l'acier inoxydable est une affaire simple.

Nettoyez-le avec du savon et de l'eau, rincez avec de l'eau claire et essuyez. C'est facile. Nous recommandons l'utilisation d'une solution de savon à vaisselle liquide dilué avec de l'eau. Pour les particules rebelles, une brosse non métallique peut être utilisée.

N'utilisez pas de brosses à poil de métal sur votre étagère de cuisson.

⚠ ATTENTION: N'utilisez pas de brosse à poil de métal ou de nettoyeurs abrasifs sur le couvercle, le cabinet et les étagères de votre gril puisque ceci éraflera la surface.

⚠ ATTENTION: En nettoyant les surfaces, assurez-vous de frotter dans la direction des grains pour préserver la fini de surface de votre acier inoxydable.

Feux de graisse

Les recommandations de la section Entretien concernant le nettoyage de votre gril, et de la section Fonctionnement normal concernant le préchauffage et le post-chauffage de votre gril sont extrêmement importantes pour deux raisons :

1. Maintenir une qualité de cuisson supérieure sur votre gril en gardant les surfaces de cuisson et les composants transmettant la chaleur en condition propre. Gardez votre gril propre est la meilleure façon pour obtenir une cuisson de qualité sur votre gril.
2. Pour des raisons de sécurité. Un gril sale est plus susceptible d'avoir des feux de graisse.

Dépendamment de la quantité de cuisson, des types d'aliments cuits, de la quantité de préchauffage et de post-chauffage et de la quantité de nettoyage du gril, tout gril peut être susceptible aux feux de graisse. L'accumulation de gras de viande, de marinades de cuisson, de sauces badigeonnées, de sels, etc., peut allumer un feu de graisse violent. Si un feu de graisse se produirait sur le gril Ducane®, des flammes seraient probablement vues sous le boîtier du brûleur. Un feu de graisse violent pourrait brûler un tuyau ou un régulateur, ce qui permettrait au gaz d'alimenter le feu et, manifestement, empirer le feu.

Tout type de feu exige que les composants du gril (tuyau, régulateurs, bouteille de propane, etc.) impliqués soient vérifiés pour poursuivre le fonctionnement sécuritaire. Si une fuite est suspecte, le système d'alimentation en gaz (tuyau, collecteur, bouteille, raccords, etc.) doit être testé pour des fuites en utilisant une solution d'eau savonneuse, pour vérifier la source de la fuite. Si aucune fuite n'est trouvée, alors le problème était probablement un feu de graisse.

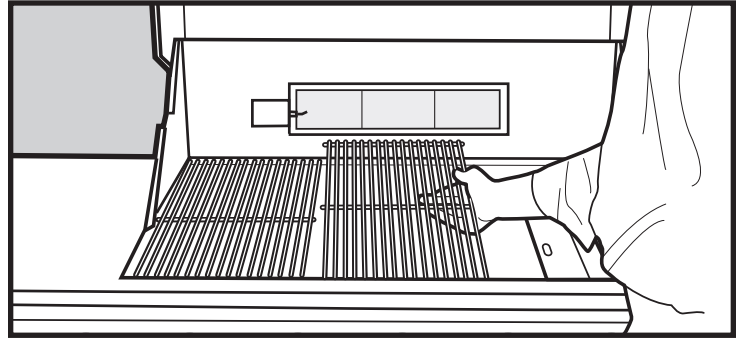
Un feu de graisse peut être assez violent pour endommager votre gril et/ou causer des dommages matériels et/ou causer des blessures corporelles. La compagnie Ducane ne veut pas que cette situation survienne et vous n'en plus. Suivez nos recommandations de nettoyage pour éviter les feux de graisse.

⚠ AVERTISSEMENT: Vérifiez le plateau à graisse, pour une accumulation de graisse avant chaque utilisation. Retirez l'excès de graisse pour éviter un feu de graisse.

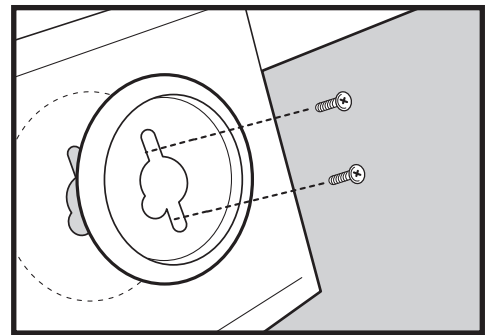
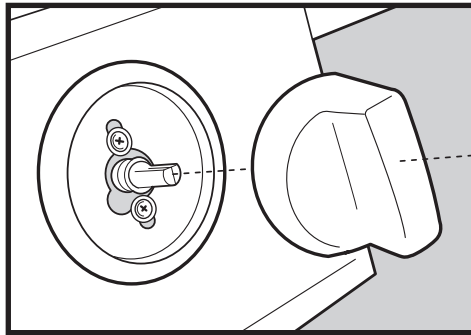
Inspection et nettoyage de l'écran contre les araignée/insectes

Pour inspecter l'écran contre les araignée/insectes.

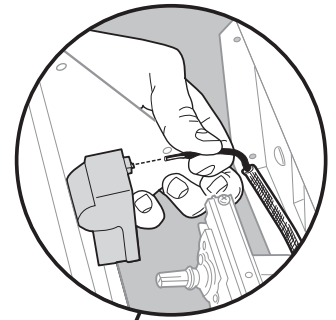
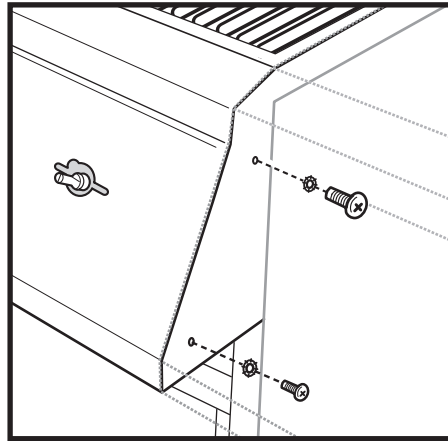
1. Tournez à "OFF" (FERMÉE) le gaz à la source.
2. Retirez la grille de cuisson et les plaques de distribution de chaleur pour révéler les tubes de brûleur.



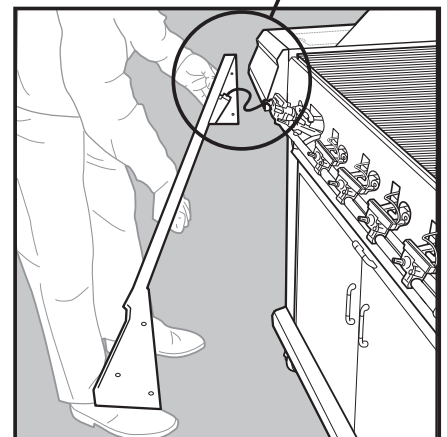
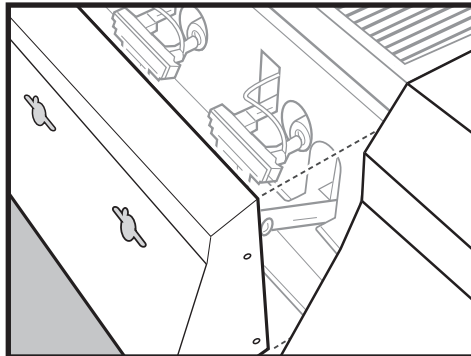
3. Enlevez les deux (2) vis et rondelles qui retiennent chaque valve sur le panneau de contrôle et le cadran de la manette.



4. Desserrez le panneau de contrôle en retirant deux (2) vis à chaque bout.



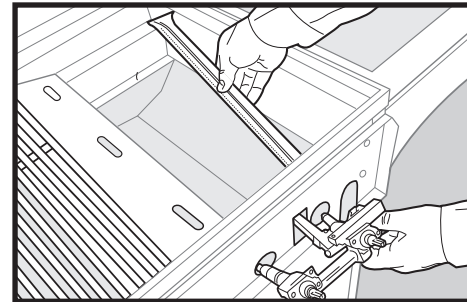
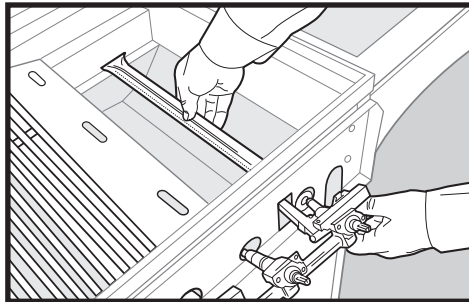
5. Tirez le panneau de contrôle pour le dégager du grill de quelques centimètres. Débranchez le fil de l'allumeur électronique du brûleur de la rôtisserie.



ENTRETIEN ANNUEL

Vous pouvez maintenant retirer un tube du brûleur pour inspection.

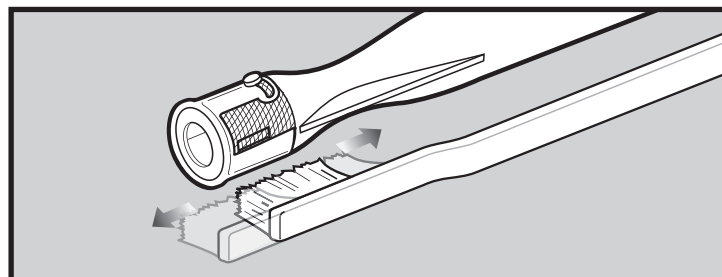
S'il y a de la poussière ou de la saleté sur les écrans, brossez délicatement le(s) écran(s) contre les araignée/insectes avec une brosse à poil doux (exemple: une vieille brosse à dent).



⚠ ATTENTION: Ne nettoyez pas l'écran contre les araignée/insectes avec des outils durs ou tranchants. Ne délogez pas l'écran contre les araignée/insectes ou n'agrandissez pas les ouvertures de l'écran.

Si l'écran contre les araignée/insectes s'endommage ou ne peut pas être nettoyé, appelez le service à la clientèle chez Ducane au 1-800-382-2637 pour des pièces de remplacement.

Pour assembler de nouveau, inversez les étapes 2 à 4 de la page précédente.



Nettoyage des Grilles anti araignées/insectes

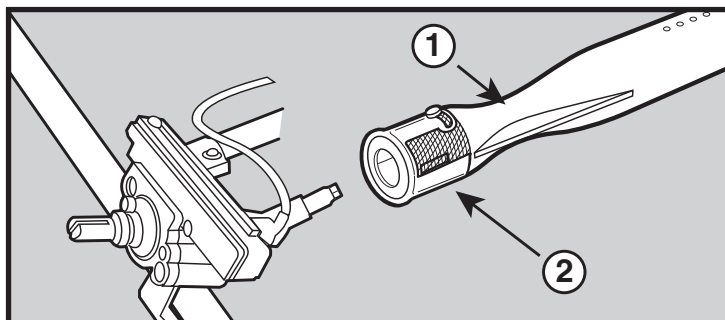
Votre barbecue à gaz Ducane®, comme tout appareil à gaz d'extérieur, constitue une cible pour les araignées et les autres insectes. Ceux-ci peuvent faire leur nid dans la section du diffuseur (1) des tubes du brûleur. Ceci obstrue le débit normal du gaz, et peut provoquer le retour du gaz vers l'obturateur d'air. Ceci pourrait provoquer un incendie à l'intérieur et à proximité des obturateurs d'air, au-dessous du panneau de commande, provoquant des détériorations graves de votre barbecue.

L'obturateur d'air du tube du brûleur est équipé d'une grille en acier inoxydable (2) afin d'empêcher les araignées et les autres insectes d'accéder aux tubes du brûleur à travers les ouvertures des obturateurs d'air.

Nous vous recommandons d'inspecter les Grilles anti araignées/insectes au moins une fois par an. De même, inspectez et nettoyez les Grilles anti araignées/insectes si vous constatez l'un des symptômes suivant :

1. L'odeur du gaz en association avec un aspect jaune et peu mobile des flammes du brûleur.
2. Le barbecue n'atteint pas la température.
3. Le barbecue ne chauffe pas uniformément.
4. Un ou plusieurs brûleurs ne s'allument pas.

⚠ DANGER: Le fait de ne pas corriger les symptômes mentionnés ci-dessus peut entraîner un incendie, susceptible de provoquer des blessures graves ou la mort, et provoquer des dommages à la propriété.

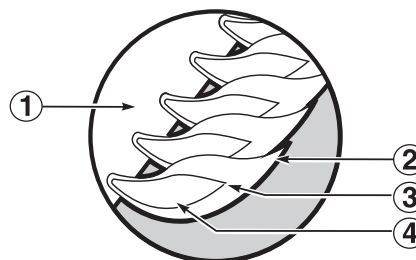


Aspect de la flamme du brûleur principal

Les brûleurs du barbecue à gaz Ducane® ont été réglés en usine pour le mélange correct d'air et de gaz. L'aspect de flamme correct est présenté.

1. Tube du brûleur
2. Les extrémités vacillent en jaune de temps à autre
3. Légèrement bleue
4. Bleu foncée

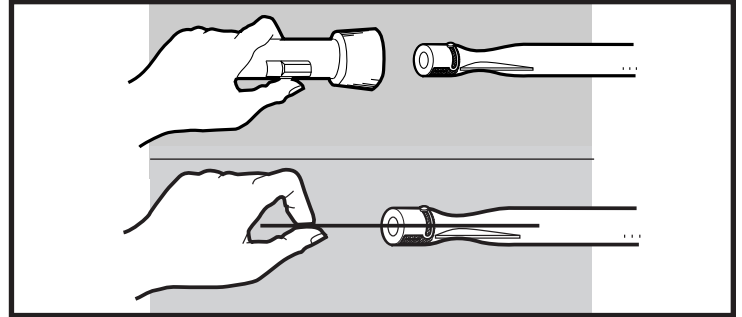
Si les flammes ne semblent pas uniformes tout au long du tube du brûleur, appliquez la procédure de nettoyage du brûleur principal.



Nettoyage du brûleur principal

- Pour nettoyer les ports de gaz de vos brûleurs principaux, utilisez une brosse à poils durs pour brosser les orifices.
- Reportez vous à : **Inspection et nettoyage des grilles anti-araignées/insectes** pour le retrait du tube du brûleur.
- Vous pouvez maintenant soulever le tube du brûleur pour le sortir de son boîtier et l'inspecter à l'intérieur avec une lampe torche.
- Nettoyez l'intérieur des brûleurs au moyen d'un fil de fer (un portemanteau déplié fera l'affaire). Vérifiez et nettoyez les ouvertures du clapet d'arrivée d'air aux extrémités des brûleurs.
- Vérifiez et nettoyez les orifices des valves, sur les valves. Utilisez une brosse à poils durs en acier pour nettoyer l'extérieur des brûleurs. Ceci vous permet de vous assurer que tous les ports du brûleur sont complètement ouverts.

⚠ AVERTISSEMENT: N'élargissez pas les ports du brûleur lorsque vous le nettoyez.



Remplacement des brûleurs principaux

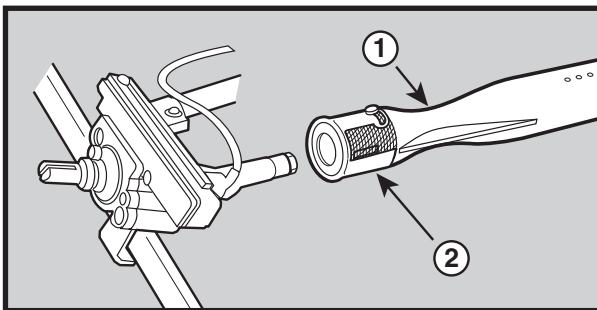
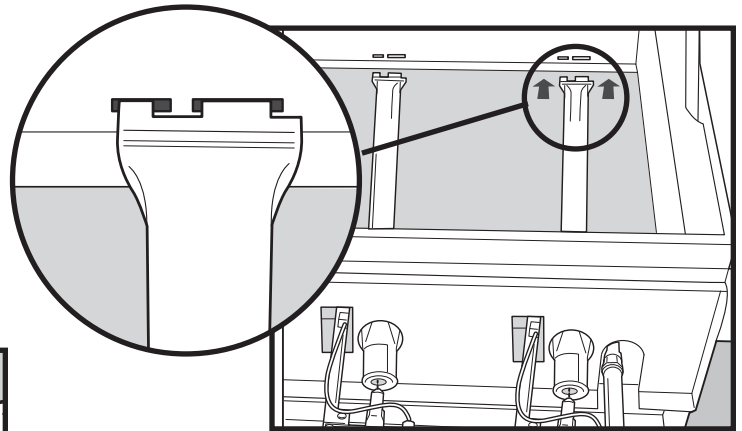
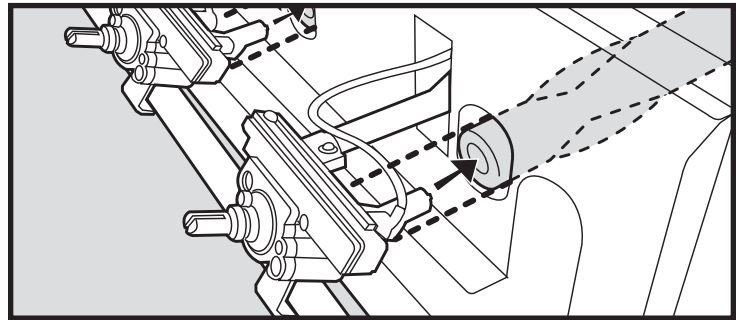
1. Votre barbecue à gaz Ducane® doit être éteint ("OFF") et refroidi.
2. Fermez le gaz à la source ("OFF").
3. Retirez la grille de cuisson et les plaques de distribution de chaleur, exposant ainsi les tubes du brûleur.
4. Retirez les boutons du panneau avant, les collerettes d'encastrement et le Module d'allumage électronique des brûleurs.
5. Retirez ensuite le panneau avant.

Voir: **Inspection des Grilles anti araignées/insectes** pour le retrait des tubes du brûleur.

Pour le remontage, inversez les étapes 3 à 5 ci-dessus.

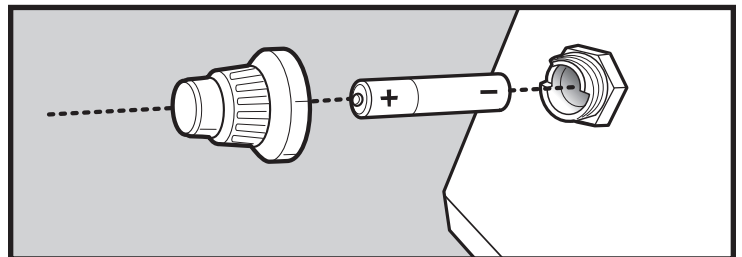
⚠ ATTENTION: Les orifices du brûleur (1) doivent être positionnés correctement au-dessus des orifices de la valve (2). Vérifiez que le montage est correct avant de fixer le collecteur/panneau avant en place.

⚠ AVERTISSEMENT: Après la réinstallation des conduites de gaz, celles-ci devraient faire l'objet d'une vérification à l'aide d'une solution d'eau savonneuse avant toute utilisation du barbecue.



Remplacement de la pile de l'allumeur du brûleur de la rôtisserie

Dévissez le bouton-pression de l'allumeur et retirez la vieille pile et remplacez-la avec une neuve. L'emballage de film plastique doit être retiré de la pile avant l'installation.



⚠ ATTENTION: This product has been safety tested and is only certified for use in a specific country. Refer to country designation located on outer carton.

These parts may be gas carrying or gas burning components. Please contact a Ducane Customer Service Representative in your area for genuine Ducane replacement part(s) information by calling 1-800-382-2637.

⚠ WARNING: Do not attempt to make any repair to gas carrying or gas burning components without contacting Ducane. Your actions, if you fail to follow this product Warning, may cause a fire or an explosion resulting in serious personal injury or death and damage to property.

⚠ ATENCIÓN: A este producto se le han realizado pruebas de seguridad y ha sido certificado para usarse en un país específico. Refiérase al país indicado en la parte externa del cartón de empaque.

Estas partes pueden ser componentes que transporten gas o lo quemem. Por favor póngase en contacto con el Representante de Atención al Cliente de Ducane en su área llamando al 1-800-382-2637 para solicitarle partes de repuesto Ducane genuinas.

⚠ ADVERTENCIA: No trate de reparar ningún componente que transporte o queme gas sin antes contactar a Ducane. Si no llegase a acatar esta advertencia, sus acciones podrían causar un fuego o una explosión que resulte en lesiones personales serias o la muerte o daños a la propiedad.

⚠ ATTENTION: La sécurité de ce produit a été testée et celui-ci n'est certifié que pour une utilisation dans un pays spécifique. Veuillez vous reporter à la désignation de pays figurant sur le carton d'emballage.

Ces pièces sont susceptibles d'être des composants transportant ou brûlant du gaz. Veuillez contacter un Représentant du service clientèle de Ducane près de chez vous pour obtenir des renseignements sur les véritables pièces de rechange Ducane en téléphonant au 1-800-382-2637.

⚠ AVERTISSEMENT: Ne faites aucune tentative de réparation sur des composants transportant ou brûlant du gaz sans contacter Ducane. Si vous ne respectiez pas cette mise en garde concernant le produit, vos actions risqueraient de provoquer un incendie ou une explosion provoquant des blessures graves ou la mort ainsi que des dommages à la propriété.

DUCANE[®]
Affinity S[™]

© 2008 Ducane Products Co., 200 East Daniels Road, Palatine, Illinois 60067 U.S.A. DUCANE is a registered trademark of Weber-Stephen Products Co. Used with permission.



Register your grill online at www.ducane.com. (If you register online, you do not need to send in this registration card.)

Thank you for purchasing a Ducane® Affinity® S™ gas grill. Completing the information on this form will allow us to contact you on matters related to your grill. Thank you very much for providing the information below.

Note: Often times when you fill out a form like this, you end up receiving unwanted solicitations from companies you don't know. We respect your privacy. We will not sell, rent, or distribute your name, address, or personal information to other companies at any time. This information will only be used in the event we need to contact you and for market research purposes.

RNS01-01

1. PLEASE PRINT

First Name, M.I., Last Name, Address, City, State, Zip Code, Apt. No.

Phone, E-mail Address

2. Serial Number:

3. Model Number:

4. When did you purchase your grill?

5. Without tax, how much did you pay for it? \$

6. Is this grill...

7. What brand of grill did you own most recently?

8. Which best describes your interest in grilling?

I'm a grilling fanatic, I enjoy grilling very much, but I'm not fanatical about it, I moderately enjoy grilling, I'm only marginally interested in grilling

Knowing more about who buys our grills helps us develop new and innovative products. Please complete the questions you feel comfortable answering, and pass by any question you prefer to leave blank. Again, this information is not sold or rented.

9. Gender: Male, Female

10. Marital Status: Married, Single

11. Date of Birth: Month, Day, Year

12. Including yourself, how many people live in your household? Adults, Children

13. What are the ages of the children living at home?

Age 2 and under, Age 3 to 4, Age 5 to 12, Age 13 to 17

14. Do you own or rent a home? Own, Rent

15. What is the highest level of education you completed?

Some high school, Earned a college degree, Earned a high school diploma, Earned a graduate degree

16. What is your total annual household income?

Under \$15,000, \$15,000 - 24,999, \$25,000 - 29,999, \$30,000 - 34,999, \$35,000 - 39,999, \$40,000 - 44,999, \$45,000 - 49,999, \$50,000 - 59,999, \$60,000 - 74,999, \$75,000 - 99,999, \$100,000 - 149,999, \$150,000 - 174,999, \$175,000 - 199,999, \$200,000 - 249,999, \$250,000 - 299,999, \$300,000 or more

17. Which activities or interests do you enjoy?

Arts/antiques, Biking/bicycling, Boating/sailing, Buying videos, Walking, Fishing, Running, Dieting, Golf, Camping/hiking, Foreign travel, Gardening/plants, Veterans' affairs, Politics, The grandchildren, Houseplants, Hunting, Motorcycles, Needlework, My cat, My dog, Snow skiing, Stocks and bonds, Personal computers, Photography, Tennis, Donating to charity, Attending cultural arts/events, Shopping by mail order/catalog, Listening to music on my CD player, Listening to music on any device, Physical fitness/exercise, Subscribing to cable TV, Watching sports on TV, Other

PLEASE SEAL WITH TAPE BEFORE MAILING—NO STAPLES PLEASE

Fold Over Here

Please send products and
other correspondence to:

1890 North Roselle Rd.
Schaumburg, IL 60195
USA

First-Class
Postage
Required
Post Office will
not deliver
without proper
postage.

RNS01-01

DUCANE[®]
Affinity S[™]

**1890 NORTH ROSELLE RD.
SCHAUMBURG, IL 60195
USA**

Free Manuals Download Website

<http://myh66.com>

<http://usermanuals.us>

<http://www.somanuals.com>

<http://www.4manuals.cc>

<http://www.manual-lib.com>

<http://www.404manual.com>

<http://www.luxmanual.com>

<http://aubethermostatmanual.com>

Golf course search by state

<http://golfingnear.com>

Email search by domain

<http://emailbydomain.com>

Auto manuals search

<http://auto.somanuals.com>

TV manuals search

<http://tv.somanuals.com>