

# Ducane Gas Furnace **HORIZONTAL 80™**

## FEATURES

80% AFUE

Heating input range 50,000 - 125,000 BTUH

Cooling capacity supported 1-1/2 through 5 ton

Horizontal left or right application-ready from factory—no field conversion needed

Direct replacement for nearly every competitive horizontal furnace

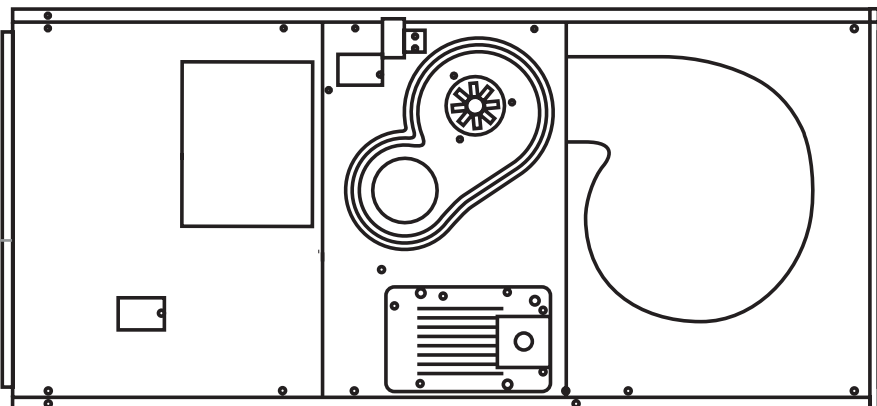
Approved for attic, closet, basement, crawl space, alcove, garage, and other locations

Electronic air cleaner connection (115V)

Humidifier connection (24V and 115V)

5 amp fuse for low voltage circuit protection

Time delay off for air conditioner SEER enhancement



## WARRANTY

25-year limited warranty on heat exchanger, 5-year limited warranty on covered components (see warranty certificate for details)

## HEAT EXCHANGER ASSEMBLY

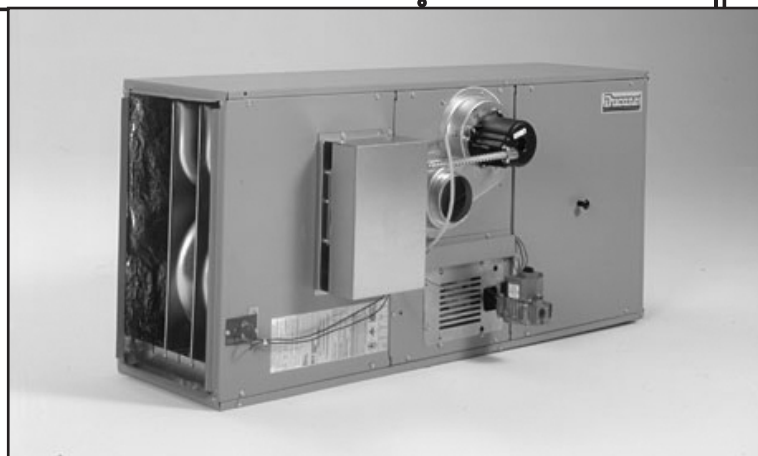
Crimp-Tite™ crimped aluminized steel heat exchanger for longer life and safe operation

## VENTING

Category I venting

4" vent—vertical or horizontal with approved power venter

Inducer orientation allows for 360° vent connection



## CONTROLS

Integrated furnace control with LED diagnostics

Direct spark ignition system

## SAFETY

CSA certified for US and Canada

Safety limits prevent overheating

## CABINET

Heavy gauge, insulated cabinet provides strength and quiet comfort

## BLOWER

3 speed PSC motors

**Ducane**<sup>®</sup>  
**AIR CONDITIONING  
AND HEATING**

**THE DIFFERENCE IS QUALITY**

[www.ducanehvac.com](http://www.ducanehvac.com)



# Ducane Gas Furnace HORIZONTAL 80™

## UNIT SPECIFICATIONS

	FPBB050A3B	FPBB075A3B	FPBB100A4B	FPBB125A5B
GAS	NATURAL (LP with conversion kit)			
INPUT RATE (BTU per Hour)	50,000	75,000	100,000	125,000
HEATING CAPACITY (BTU per Hour)	40,000	61,000	81,000	101,000
AFUE (ISOLATED COMB. SYSTEM)	80%			
TEMPERATURE RISE	30 - 60 F	40 - 70 F		
VOLTS / PHASE / HERTZ	115 /1/ 60			
STATIC PRESSURE (CERTIFIED MAX)	0.50" W.C.			
BLOWER MOTOR HORSEPOWER	1/3	1/2	3/4	
BLOWER WHEEL (DIA. X WIDTH)	10 x 6	12 x 9	12 x 12	
NUMBER OF HEAT EXCHANGERS	2	3	4	5
LIMIT CONTROL, SNAP DISK STYLE	150 F	170 F	170 F	150 F
IGNITION CONTROL	DIRECT SPARK			
TRANSFORMER	40 VA, 115VAC PRIMARY, 24VAC SECONDARY, FOOT-MOUNTED			
INTEGRATED CONTROL SYSTEM	INTEGRATED FURNACE CONTROL			
SHIPPING DIMENSIONS	54 X 26 X 25 3/4	54 X 29 X 25 3/4	54 X 33 X 25 3/4	
SHIPPING WEIGHT	144	153	175	197
MAXIMUM DESIGN OUTLET TEMP.	170 F			
AUXILIARY LIMIT	130 F			140 F

## UNIT SPECIFICATIONS HIGH AIR FLOW MODELS

	FPBB075A4B	FPBB100A5B
GAS	NATURAL	
INPUT RATE (BTU per Hour)	75,000	100,000
HEATING CAPACITY (BTU per Hour)	61,000	81,000
AFUE (ISOLATED COMB. SYSTEM)	80%	
TEMPERATURE RISE	30 - 60 F	
VOLTS/PHASE/HERTZ	115/1/60	
STATIC PRESSURE (CERTIFIED MAX)	0.50 "W.C.	
BLOWER MOTOR HORSEPOWER	1/2	3/4
BLOWER WHEEL (DIA. X WIDTH)	10 X 6	12 X 9
NUMBER OF HEAT EXCHANGERS	3	4
LIMIT CONTROL, SNAP DISK STYLE	170 F	160 F
IGNITION CONTROL	DIRECT SPARK	
TRANSFORMER	40 VA. 115VAC PRIMARY, 24VAC SECONDARY, FOOT-MOUNTED	
INTEGRATED CONTROL SYSTEM	INTEGRATED FURNACE CONTROL	
SHIPPING DIMENSIONS	54 1/2 X 26 X 25 3/4	54 1/2 X 29 X 25 3/4
SHIPPING WEIGHT	157	183
MAXIMUM DESIGN OUTLET TEMP.	170 F	
AUXILIARY LIMIT	130 F	140 F

# AIR FLOW DATA

DUCANE MODEL NUMBER	BLOWER SPEED	EXTERNAL STATIC (in. w. c.)									
		0.1	0.2	0.3	0.4	0.5	0.6	0.7	0.8	0.9	1.0
<b>B050A3B</b> (10 X 6 WHEEL) (1/3 HP MOTOR)	LOW	615	605	595	580	555	525	490	445	395	340
	MED	925	940	945	935	915	890	850	800	735	665
	HIGH	1570	1550	1515	1470	1415	1340	1255	1160	1050	925
<b>B075A3B</b> (10 X 6 WHEEL) (1/3 HP MOTOR)	LOW	1005	975	940	905	870	835	795	750	705	665
	MED	1405	1340	1280	1215	1150	1085	1015	945	870	795
	HIGH	1755	1695	1635	1560	1475	1385	1285	1170	1045	915
<b>B075A4B</b> (10 X 6 WHEEL) (1/2 HP MOTOR)	LOW	1415	1405	1390	1355	1315	1255	1190	1105	1015	905
	MED	1745	1695	1635	1565	1485	1405	1310	1205	1095	980
	HIGH	1915	1845	1765	1680	1590	1495	1390	1285	1165	1045
<b>B100A4B</b> (12 X 9 WHEEL) (1/2 HP MOTOR)	LOW	1260	1235	1205	1175	1140	1105	1065	1025	985	940
	MED	1470	1465	1465	1455	1435	1410	1375	1335	1295	1240
	HIGH	1845	1825	1795	1755	1715	1665	1610	1550	1485	1410
<b>B100A5B</b> (12 X 9 WHEEL) (3/4 HP MOTOR)	LOW	1380	1365	1340	1305	1265	1215	1160	1090	1015	925
	MED	1795	1780	1755	1720	1670	1610	1540	1455	1360	1255
	HIGH	2385	2330	2265	2195	2105	2015	1910	1795	1670	1535
<b>B125A5B</b> (12 X 12 WHEEL) (3/4 HP MOTOR)	LOW	1420	1390	1355	1315	1270	1220	1165	1110	1045	980
	MED	1815	1770	1720	1665	1610	1550	1490	1425	1356	1285
	HIGH	2215	2175	2130	2080	2020	1960	1890	1815	1735	1650

NOTES: 1) Air flow values in cubic feet per minute (CFM), rounded to nearest five (5) CFM  
2) Data taken without filters or AC evaporator coil in place

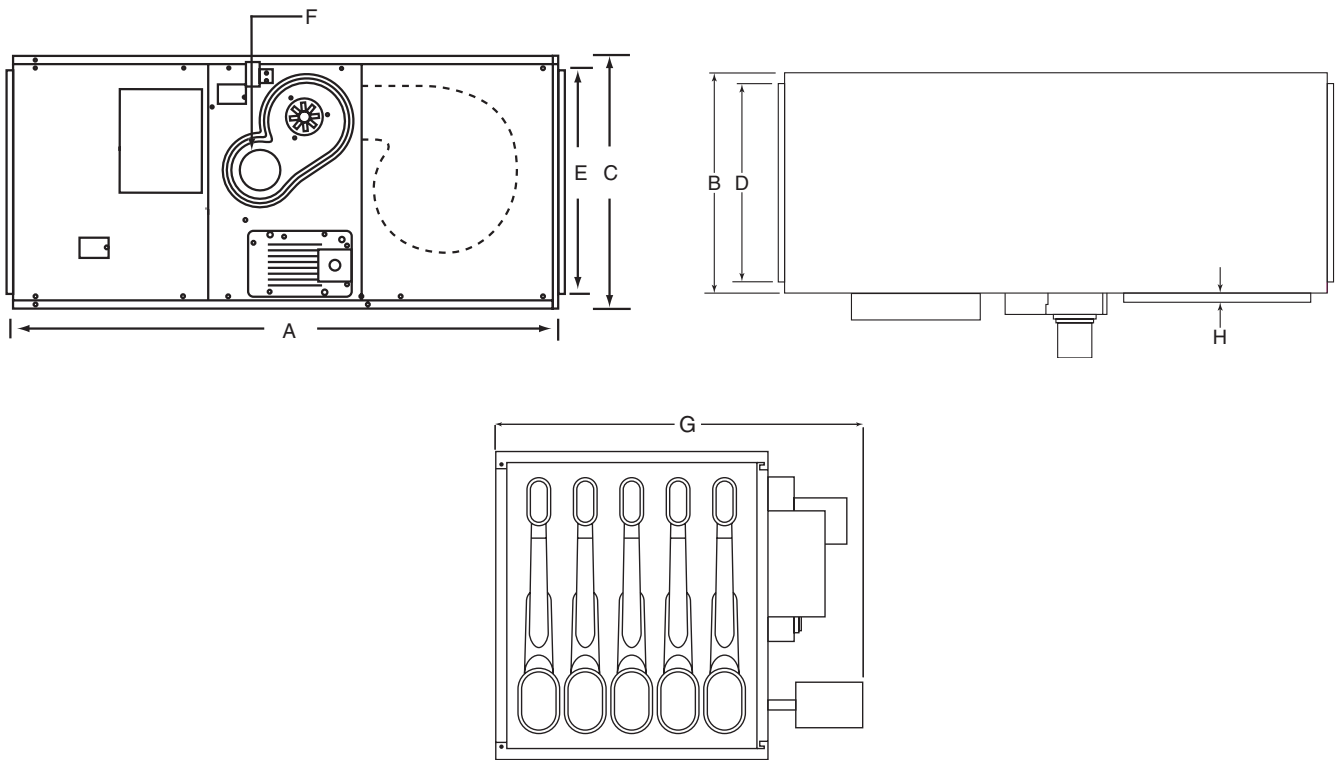
# ACCESSORIES

	FPBB050A3B	FPBB075A3B	FPBB075A4B
NATURAL TO LP GAS CONVERSION KIT		20490601	
NATURAL TO LP GAS CONVERSION KIT HIGH ALTITUDE		20269401	
	FPBB100A4B	FPBB100A5B	FPBB125A5B
NATURAL TO LP GAS CONVERSION KIT		20490601	
NATURAL TO LP GAS CONVERSION KIT HIGH ALTITUDE		20269401	

# GENERAL LAYOUT

DUCANE MODEL NUMBER	UNIT DIMENSIONS			SUPPLY AND RETURN DUCT OPENINGS		FLUE DIA.	OVERALL DIMENSIONS	BLOWER DOOR	MAX. UNIT AMPS	UNIT WT. LBS.
	LENGTH	WIDTH	HEIGHT	D	E					
	A	B	C	D	E	F	G	H		
<b>FPBB050A3B</b>	50	13 1/2	23 1/8	11 5/8	21 3/8	4	19 1/2	FLUSH	8.3	112
<b>FPBB075A3B</b>	50	13 1/2	23 1/8	11 5/8	21 3/8	4	19 1/2	FLUSH	9.9	121
<b>FPBB075A4B</b>	50	13 1/2	23 1/8	11 5/8	21 3/8	4	19 1/2	1	11.7	121
<b>FPBB100A4B</b>	50	17	23 1/8	15 1/8	21 3/8	4	23	FLUSH	9.9	141
<b>FPBB100A5B</b>	50	17	23 1/8	15 1/8	21 3/8	4	23	1	13.1	141
<b>FPBB125A5B</b>	50	20 1/2	23 1/8	18 5/8	21 3/8	4	26 1/2	FLUSH	11.7	161

NOTE: Dimensions are in inches



**Ducane**  
AIR CONDITIONING  
AND HEATING

THE DIFFERENCE IS QUALITY.™

[www.ducanehvac.com](http://www.ducanehvac.com)

For more information, contact your local Ducane distributor.

DUE TO OUR POLICY OF CONTINUOUS IMPROVEMENT,  
SPECIFICATIONS SUBJECT TO CHANGE WITHOUT NOTICE.

## Free Manuals Download Website

<http://myh66.com>

<http://usermanuals.us>

<http://www.somanuals.com>

<http://www.4manuals.cc>

<http://www.manual-lib.com>

<http://www.404manual.com>

<http://www.luxmanual.com>

<http://aubethermostatmanual.com>

Golf course search by state

<http://golfingnear.com>

Email search by domain

<http://emailbydomain.com>

Auto manuals search

<http://auto.somanuals.com>

TV manuals search

<http://tv.somanuals.com>