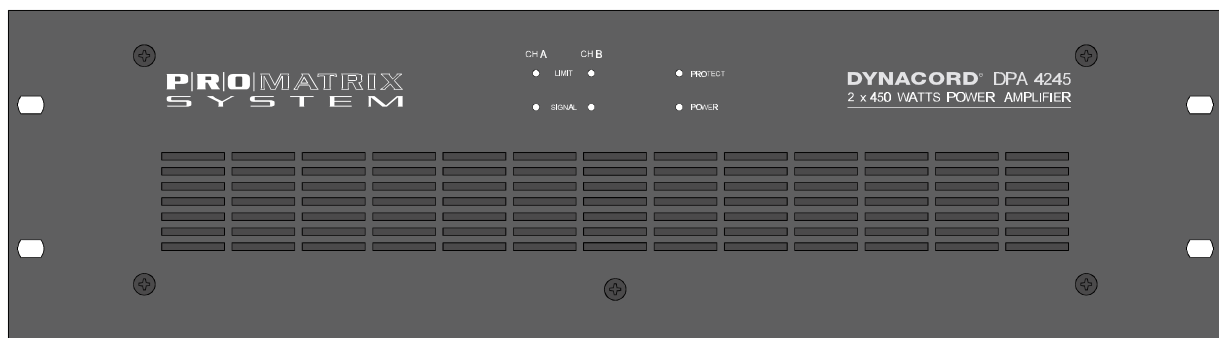


DPA 4245 / DPA 4260 POWER AMPLIFIER



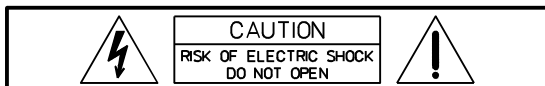
Features

- 2 x 450 watts output power capacity DPA 4245
- 2 x 600 watts output power capacity DPA 4260
- floating 100 V / 70 V / 25 V power outputs (isolated outputs)
- low impedance outputs (direct outputs)
- bridged mode operation, switchable
- all outputs are protected against idling and short-circuit
- mains supply 230 V AC 50/60 Hz
- POWER REMOTE function
- service mains switch
- active ventilation via 2 temperature-controlled DC-fans
- electronically balanced inputs
- routing switch for parallel linked operation
- input gain controls
- integrated audio limiters
- power-on switching noise suppression
- protection circuitry: DC/HF, Back-EMF, output voltage overload limiters, initial inrush current limiter, output peak current limiter
- 18 dB/oct. LO-cut filter at 45 Hz
- SIGNAL and LIMIT indication for optical monitoring
- thermal overload protection for the heat sink and the internal power supply, with PROTECT-function
- inputs transformers for balanced, floating operation are optionally available
- XLR-type and binding post clamping input connectors
- 19" frame size, 3 HU

CONTENTS

Description	17
Installation Notes	18
Rear View	19
Inputs	19
Outputs	20
Specifications	27
Block Diagram	43
Dimensions	44
Warranty	48

IMPORTANT SAFETY INSTRUCTIONS



WARNING: TO REDUCE THE RISK OF FIRE OR ELECTRIC SHOCK, DO NOT EXPOSE THIS APPLIANCE TO RAIN OR MOISTURE.
AVIS: RISQUÉ DE CHOC ELECTRIQUE. NE PAS OUVRIR.



The lightning flash with arrowhead symbol, within an equilateral triangle is intended to alert the user to the presence of uninsulated "dangerous voltage" within the product's enclosure that may be of sufficient magnitude to constitute a risk of electric shock to persons.



The exclamation point within an equilateral triangle is intended to alert the user to the presence of important operating and maintenance (servicing) instructions in the literature accompanying the appliance.

1. Read these instructions.
2. Keep these instructions.
3. Heed all warnings.
4. Follow all instructions.
5. Do not use this apparatus near water.
6. Clean only with a damp cloth.
7. Do not block any of the ventilation openings.
Install in accordance with the manufactures instructions.
8. Do not install near any heat sources such as radiators, heat registers, stoves, or other apparatus that produce heat.
9. Only use attachments/accessories specified by the manufacturer.
10. Refer all servicing to qualified service personnel. Servicing is required when the apparatus has been damaged in any way, such as power-supply cord or plug is damaged, liquid has been spilled or objects have fallen into the apparatus, the apparatus has been exposed to rain or moisture, does not operate normally, or has been dropped.

For US and CANADA only:

Do not defeat the safety purpose of the grounding-type plug. A grounding type plug has two blades and a third grounding prong. The wide blade or the third prong are provided for your safety. When the provided plug does not fit into your outlet, consult an electrician for replacement of the obsolete outlet.

IMPORTANT SERVICE INSTRUCTIONS

CAUTION: These servicing instructions are for use by qualified personnel only. To reduce the risk of electric shock, do not perform any servicing other than that contained in the Operating Instructions unless you are qualified to do so. Refer all servicing to qualified service personnel.

1. Security regulations as stated in the EN 60065 (VDE 0860 / IEC 65) and the CSA E65 - 94 have to be obeyed when servicing the appliance.
2. Use of a mains separator transformer is mandatory during maintenance while the appliance is opened, needs to be operated and is connected to the mains
3. Switch off the power before retrofitting any extensions, changing the mains voltage or the output voltage.
4. The minimum distance between parts carrying mains voltage and any accessible metal piece (metal enclosure), respectively between the mains poles has to be **3 mm** and needs to be minded at all times.
The minimum distance between parts carrying mains voltage and any switches or breakers that are not connected to the mains (secondary parts) has to be **6 mm** and needs to be minded at all times.
5. Replacing special components that are marked in the circuit diagram using the security symbol (Note) is only permissible when using original parts.
6. Altering the circuitry without prior consent or advice is not legitimate.
7. Any work security regulations that are applicable at the location where the appliance is being serviced have to be strictly obeyed. This applies also to any regulations about the work place itself.
8. All instructions concerning the handling of **MOS** - circuits have to be observed.

Note:  **SAFETY COMPONENT (HAS TO BE REPLACED WITH ORIGINAL PART ONLY)**

DESCRIPTION

Especially designed for permanent installations, the DPA-Series power amplifiers offer performance-consistent and reliable operation of PA-systems with 2 individual loudspeaker lines, each. Therefore, DPA-Series power amplifiers are most suitable for company intercom, alarm and background music transmission installations in offices and commercial areas, congregation and sport centers, schools, houses of worship, hotels, hospitals, shopping malls and super markets, cruise ships, and other similar applications.

Each power amplifier incorporates two high-performance output transformers. Next to 100 V, 70 V, and 25 V floating outputs, the direct outputs provide the possibility to also drive loudspeaker systems with low-impedance down to a minimum of 4 ohms. Simultaneous operation of low-impedance speaker systems and floating loudspeaker lines on a single output channel of the power amplifiers is possible as well.

The integrated 45 Hz LO-cut filter with 18 dB/oct. slope protects the connected loudspeaker lines from unwanted ultra-low frequencies.

Comparator circuitry constantly monitors the input and output signals of the power amplifiers and activates their internal limiters whenever non-linear operation is encountered which reliably protects the connected loudspeaker systems against overload conditions and clipping, saturation of the power supply transformers, and overvoltage at the outputs. The DPA-Series power amplifiers' transmission and sound qualities are absolutely superb. The employed comprehensive dimensioned power supply units with low-interference toroidal transformers ensure that the stated nominal performance specifications are accomplished, even in most demanding and critical installations. Since the DPA-Series power amplifiers do not employ V/I-Foldback-Limiter circuits, operation on complex loads up to $\pm 90^\circ$ phase angles is possible without a problem.

Quick optical information on the power amplifiers' momentary operational status is provided through easily readable LED indicators, individually showing whether a channel is ready for operation, a signal is present at the output, if any of the limiter circuits and/or one of the protection circuits has been activated.

The inputs are electronically balanced and carried out as XLR-type and as binding post clamping connectors as well. Parallel linking the two connector types at the input provides the possibility to utilize the carried-through signals to feed additional power amplifiers, without the necessity for special split-cables. Both inputs can be optionally retrofitted with input transformers. Through Input Routing switches it is possible to configure the DPA-Series power amplifiers for stereo, parallel-monaural, or bridged-mode operation.

The dB-scaled level controls – extremely precise and good to operate potentiometers – are located on the rear of the appliances. A Ground-Lift switch which helps eliminating ground noise loops by separating the amplifier circuit ground from the common ground of the enclosure is also to be found on the rear panels. Conveniently connecting the loudspeaker lines to the power amplifiers is provided through a binding post strip, where all voltages – 25 V, 70 V, 100 V – and the low-impedance output are present on individual screw-clamp connectors. The rear panel service mains switches allow turning the power amplifiers' power on directly. Using the provided power remote input, remote-start is also possible.

Consistent thermal stability of the power amplifiers is obtained through extremely silent running fans which are automatically switched stepwise depending on the amplifiers' operation mode. The front-to-rear air circulation guarantees trouble-free operation in rack-shelf enclosures of any size.

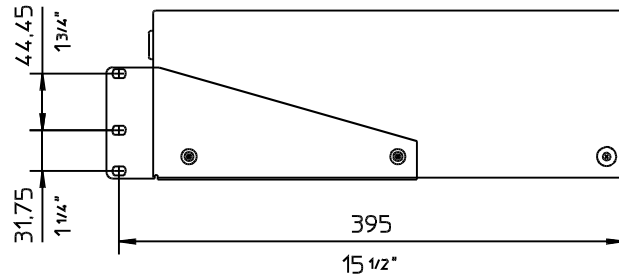
Several other features of the DPA-Series power amplifiers are revealed within this owner's manual. Therefore, please take the time to carefully and entirely read the provided information.

Installation Notes

Generally, it is important to install the power amplifier in a way, that ensures unhindered front-to-rear air circulation.

When installing the power amplifier in a closed rack-shelf system, please make sure that adequate air-flow is guaranteed. The space between the rear panel of the amplifier and the inner wall of the rack-case has to be at least 60 mm x 330 mm. A free space of at least 100 mm above the rack-shelf system is needed to provide sufficient air circulation. Since, during operation, the temperature inside the rack system could easily rise up to 40° C, the maximum allowable ambient temperatures of the rest of the incorporated modules and appliances within a specific rack-shelf system have to be taken into careful consideration.

When mounting the power amplifier inside of a closed rack system, it is recommended to use special rack-rails or optionally available rack-mount ears NRS 90235 (112733) to prevent bending of the appliance's front panel.



Note For maintained trouble-free operation of the appliance, the maximum admissible ambient temperature of +40°C is not to be exceeded.

The amplifier has to be protected from:

- water drops or splashes
- direct sunlight
- high ambient temperatures and the direct radiation of heat sources
- high humidity and moisture
- heavy dust
- massive vibrations

Moving the amplifier from a cold into a warm environment can result in the occurrence of condensation on inner parts. Operating the appliance is only permissible after it has accommodated to the altered temperature (approximately after one hour).

Should any foreign solid parts or liquids inadvertently intrude the enclosure, immediately unplug the device from the power source and have it checked at a DYNACORD service center, before further use.

Cleaning the appliance should not be performed using chemical solvents or sprays, as this might damage the finish and could even cause hazard fire.

Before The First Operation

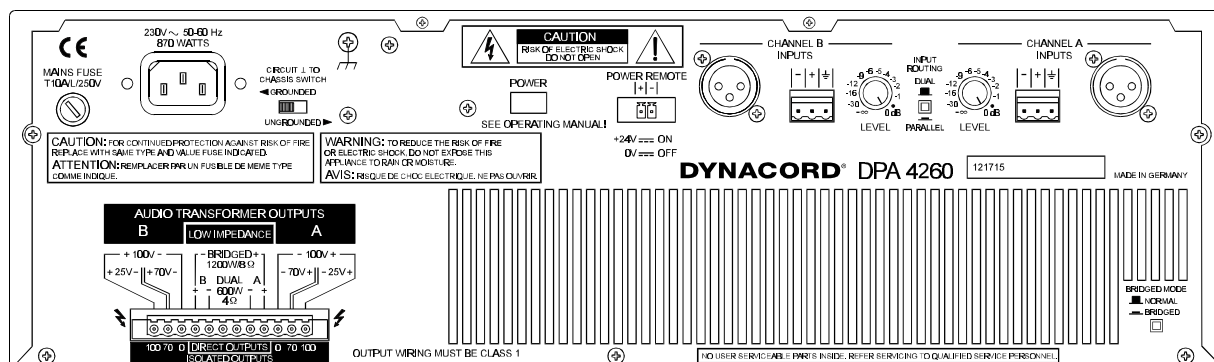
Before switching the amplifier's power on, the included mains cord has to be connected to a 230 V - 50/60 Hz wall outlet. On the appliance itself, the cord has to be connected to the 3-pole mains socket.

To remotely start the amplifier, it is necessary to connect an external 24 V power source to the terminal strip POWER REMOTE. Providing correct connection and with an external power supply being present, the POWER ON indicator will light and the power amplifier is ready for operation.

The mains switch POWER on the rear of the appliance is meant for service and maintenance purposes only. Through bridging the mains switching relay this option provides the possibility to operate the amplifier without an external 24 V power supply connected.

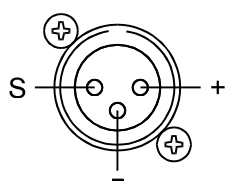
Caution The mains switch POWER on the rear of the appliance is **only** meant for maintenance. Remotely switching off the device is not possible when the POWER switch is engaged.

The DPA-Series power amplifiers employ power-on switching delays of approximately 2 seconds.



Inputs INPUT CHANNEL A&B

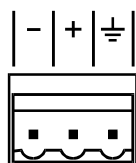
With an input sensitivity of 775 mV = 0 dBu and an input impedance of 20 k ohms, the electronically balanced inputs – INPUT CHANNEL A&B – are meant for the connection of control amplifiers, audio controllers, mixing consoles, etc.



PIN 1: SHIELD
 PIN 2: a, +
 PIN 3: b, -

Peripheral pieces of audio equipment are either connected via the XLR-type input connectors or using the parallel-linked binding posts. For the latter option you can utilize the supplied screw-plugs. Thus, carrying the audio signals through to feed additional power amplifiers can be conveniently achieved without the need for special split-cables.

The XLR-type input connectors' pin-assignment is in accordance to the IEC 268 standard:



In case the controlling device does not supply balanced output connectors, it is also possible to configure the connectors for unbalanced operation. Therefore, the common ground (pin 1) has to be connected to the (-) input (pin 3). The audio signal is now solely fed through the (+) input (pin 2).

So, to be able to entirely make use of all the advantages the electronically balanced input stage offers – like the suppression of humming and interference noise – it is beneficial to re-establish balanced input connection whenever possible.

In case floating inputs are needed, the inputs are ready to be retrofitted with input transformers; one optional available extension kit NRS 90208 (308840) per channel is necessary.

Instructions On How To Install NRS 90208 Extension Kits

- unplug the power amplifier from the mains
- detach all screws holding the cover plate of the appliance
- lift and remove the cover plate
- disconnect the flat-wire cable of the printed board assembly 81340/1
- detach all screws holding the printed board assembly 81340/1
- remove the printed board assembly 81340/1 and unsolder the resistors R106 ... R109
- attach insulators to the input transformers according to the correspondent marks on the printed board assembly
- re-assemble the appliance by performing all steps described in the opposite order

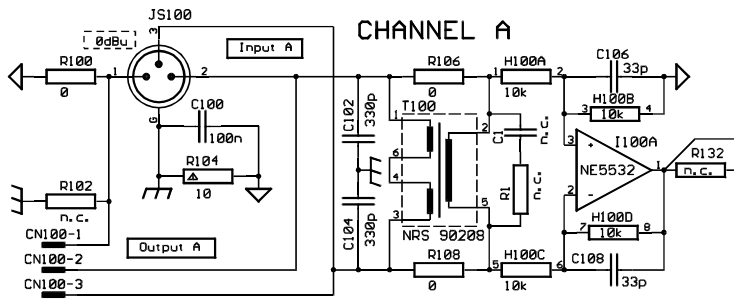


figure: block diagram input channel A

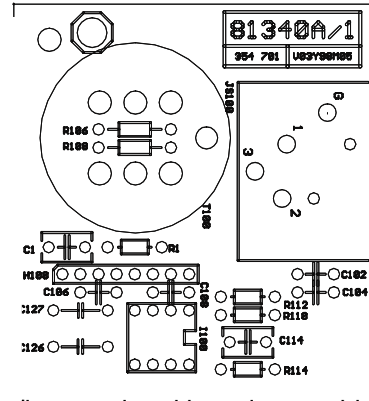


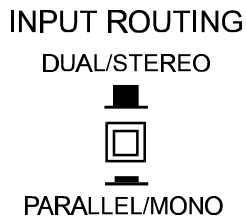
figure: printed board assembly area channel A – transformer retrofitting

Level Control



dB-scaled rotary controls for adjusting the power amplifier's overall amplification. This control should be positioned between the 0 dB and the -6 dB marks to prevent distortion in source devices. The labeling indicates the actual attenuation applied to the internal specified factor of amplification.

Input Routing



If the switch is set to parallel/mono, the input connectors CHANNEL A and CHANNEL B are electrically linked for direct parallel operation. With only a single audio signal source connected, both channels are driven, while their volume levels are still individually controlled via the level controls A and B.

If the switch is set to its dual/stereo position, channels A and B are separately amplified (two channel or stereo mode).

Power Outputs A&B

The loudspeaker cables are connected to the power amplifier through high-performance binding posts – with the necessary screw-plugs being supplied. For connection purposes, it is possible to remove the 12-pole terminal plug. Cables with a maximum diameter of 2.5 mm² can be utilized. To provide flexible connections, all floating output voltages – 25 V, 70 V, and 100 V (ISOLATED OUTPUTS) – as well as the low-impedance output (DIRECT OUTPUTS) of both channels are directly accessible.

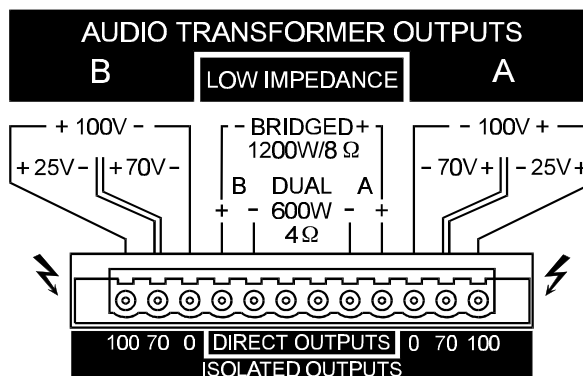


figure: power outputs of the DPA 4260

Power Outputs – AUDIO TRANSFORMER OUTPUTS

The two integrated output transformers convert the power amplifier's nominal output voltage to the commonly used loudspeaker line voltage standards – 25 V, 70 V, and 100 V. These voltages are simultaneously present at the correspondent floating outputs of the binding post strip. The two power amplifier channels can be operated using any possible output voltage combination. Simultaneous operation of low impedance loudspeaker systems and floating loudspeaker lines on a single power amplifier channel is possible as well.

Caution It is possible that during operation shock-hazard output voltages can be present at the power output connectors (>34 V peak value). Therefore, the connected loudspeaker lines have to be installed in accordance to applicable security standards and regulations. When installing and operating 100 V-loudspeaker networks, compliance to the VDE regulation DIN VDE 0800 is mandatory. Especially, if a 100 V-loudspeaker network is included in alarm system applications, all security standards have to be in accordance to the security class 3 standard. Before the first operation of the power amplifier, the loudspeaker terminal strip has to be covered using the supplied protection cover.

Power Outputs - Isolated Outputs 70 V and 100 V

To reduce line attenuation effects when the distance between power amplifier and loudspeaker systems exceeds 50 meters, it is recommended to employ loudspeaker systems with 100 V or 70 V line transformers, which also allows conveniently distributing the output power to the individual loudspeaker systems.

It is possible to connect as many loudspeaker systems until the total power consumption of the loudspeaker network equals the nominal power handling capacity of the power amplifier; while not declining the nominal load impedance of the power amplifier outputs.

For details on nominal power handling capacity and nominal load impedance of the amplifier's individual power outputs, please refer to the specifications in the appendix.

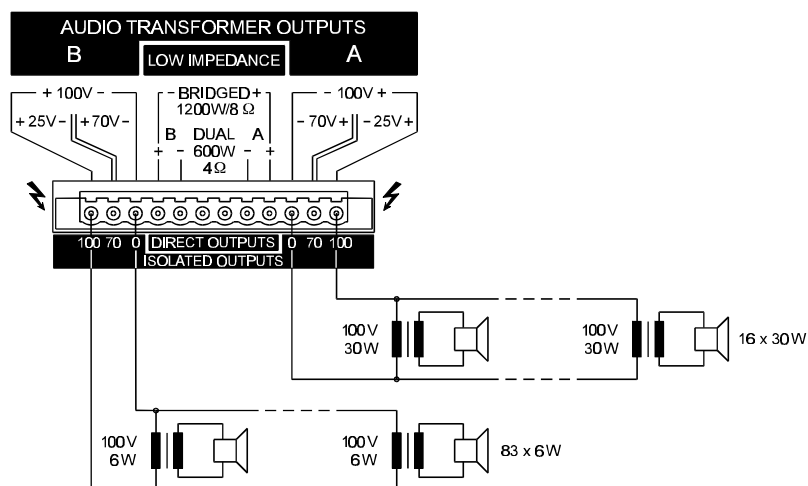


figure: example configuration – DPA 4260 with 100 V loudspeaker systems – maximum load using 30 W / 100 V and 60 W / 100 V loudspeaker systems

Power Outputs - Isolated Outputs 25 V

The floating 25 V output is mainly used for driving low impedance loudspeaker systems (4 - 16 ohms). Because of the effect of line attenuation, the distance between power amplifier and loudspeaker systems should not exceed 50 meters. It is further important that the total impedance of the entire loudspeaker network does not decline the nominal load impedance of the 25 V output. For details on the nominal load impedance of the 25 V output, please also refer to the specifications in the appendix.

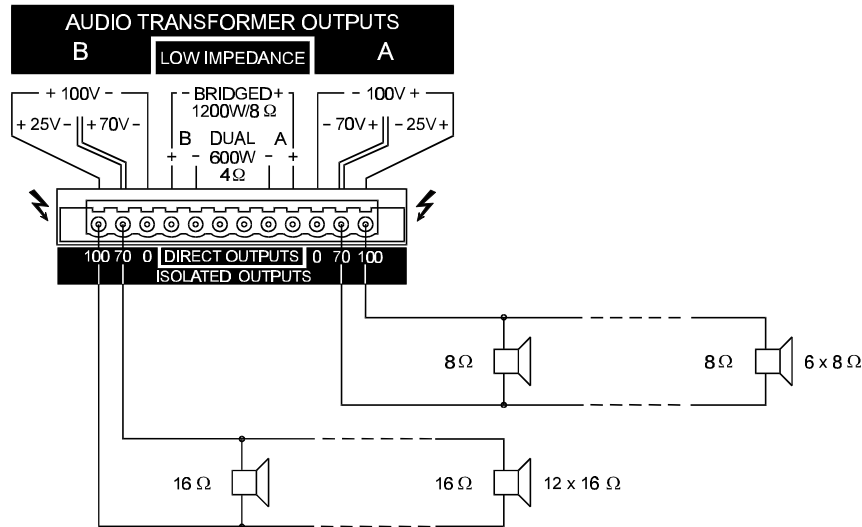


figure: example configuration – DPA 4260 with 8 ohms and 16 ohms loudspeaker systems at maximum load

Power Outputs – DIRECT OUTPUTS

In addition to the output transformer equipped outputs and for driving low impedance, high performance loudspeaker systems, the power amplifier's direct, low impedance outputs are carried out as well, offering a minimal load impedance of 4 ohms. Each power amplifier channel is capable of simultaneously driving loads at the direct output and at the isolated output. But it is of major importance that the overall power consumption of the connected loudspeaker systems or lines does not exceed the output power capacity of the power amplifier.

Example: If a loudspeaker system with 8 ohms and a nominal power handling capacity of 300 watts is connected to the DPA 4260 channel A Direct Output, this equals exactly half of the power amplifier's output power capacity since the minimal load impedance for each channel is 4 ohms. That leaves the possibility to utilize exactly half of the nominal output power capacity of the channel A 100 V output – which in this example equals $500 \text{ watts} / 2 = 250 \text{ watts}$ – to supply a split loudspeaker line. The total impedance of the loudspeaker line has not to decline $20 \text{ ohms} * 2 = 40 \text{ ohms}$.

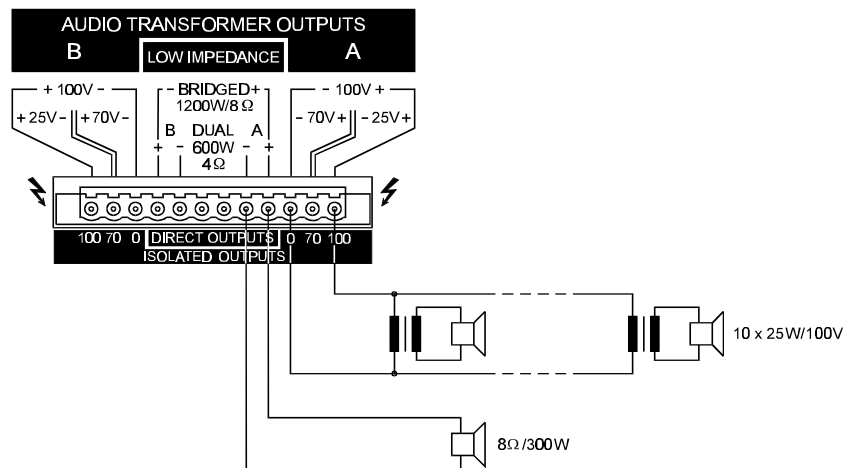


figure: example configuration – DPA 4260 channel A in mixed mode

Bridged Mode

Doubling the power amplifier's output power is accomplished by engaging bridged mode operation, where the two power amplifier output stages are linked for push-pull operation. In other words, a monaural power amplifier is "created" offering double the output voltage and double the output power capacity of a single channel. As a result you are provided with floating 50 V, 140 V, and 200 V as well as with a direct output with doubled nominal output voltage.

If the BRIDGED-MODE switch is engaged, the audio input signal has to be fed via the CHANNEL A input while the CHANNEL B input is without function. The signal is internally inverted and the power amplifier stage B is driven by that inverted signal. The power amplifier stage A is still driven by the unaltered incoming audio signal. Bridged mode operation is possible with using the isolated and/or the direct outputs.

When using the isolated outputs, bridging the (-) binding posts of channels A and B is mandatory, using short cables with suitable diameter ($1.5 \text{ mm}^2 \dots 2.5 \text{ mm}^2$)!

Careful consideration of the loudspeaker systems' correct connection is important in preventing phase correlation problems. Channel A carries the signal "in phase" and therefore has to be connected to the (+)-pole of the correspondent loudspeaker system while the loudspeakers (-)-pole has to be connected to the (+)-output connector of channel B. The output voltage of each power amplifier stage A&B is present at the binding post strip, but utilization is not recommended because of the negative correlation.

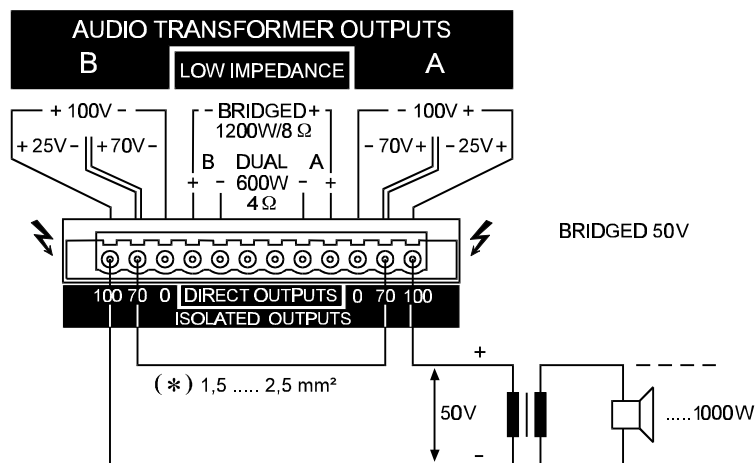
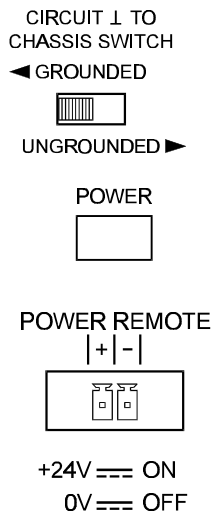


figure: output connection in 50 V bridged mode operation

***Caution!** The bridging cable has to be at least 1.5 mm^2 in diameter.

Driving 4 ohms loads at the direct output is not admissible in bridged mode operation. For details on nominal load impedance and nominal loads of the individual outputs in bridged mode operation, please refer to the specifications in the appendix. Also in bridged mode, the nominal load impedance is not to be declined.



GROUND Lift Switch

The ground lift switch helps is a perfect means for eliminating possible ground noise loops. In case the power amplifier is operated together with other equipment inside of a rack shelf system, the switch should be set to its GROUNDED position. When using the power amplifier together with other equipment that operates on different ground potentials, the switch should be set to UNGROUNDED.

Power On And Remote Control

When the power amplifier is operated via power remote start (standard operation) an external 24 V power source has to be connected to the POWER REMOTE terminal strip and the mains switch has to be set to its OFF-position. When correctly connected and with a present supply voltage, the power amplifier is operational. The fans run for approximately 2 seconds and the POWER ON-LED on the front panel lights. The mains switch POWER on the rear of the appliance bridges the mains relay. It is meant for service purposes only. This allows to operate the power amplifier without the presence of an external 24 V power source. The current consumption at the POWER REMOTE input is approximately 25 mA.

Limit Indicator

The indicator lights whenever the integrated limiter is activated. While short blinking means no problem, the continuously lit LED indicates that the volume level needs to be reduced to prevent the connected loudspeaker systems from being damaged by overload.

The audio limiters are capable of controlling overdrive levels of up to 20 dB. Most other power amplifiers without integrated limiters begin to clip, generating nasty distortion that not only attacks your ears but also lead to damaging the connected loudspeaker systems by overload. The limiters are activated only in case of the occurrence of non-linear conditions within the power amplifier; e. g. signal clipping at the operation voltage limit. The limiters do not affect the power amplifier's overall dynamic range.

Signal Indicator

This indicator is lit when the audio signal exceeds -30 dB. In case short-circuits resulting from broken loudspeaker cables are detected or one of the power amplifier's protection circuits is activated, the signal indicator is dimmed.

PROTECT

The PROTECT-LED lights whenever one of the power amplifier's protection circuits – thermal overload, RF, DC, Back-EMF – is activated. In PROTECT mode all loudspeaker lines and output transformers are disconnected via relays and the power amplifier's audio inputs are short-circuited to prevent the connected loudspeaker systems from being damaged. When the power amplifier enters the PROTECT mode please examine first whether the appliance is overheated. If this is the case, the front and rear ventilation louvres are possibly covered, the nominal load impedance has fallen below the specified minimum value, or a short-circuit occurred at the power output.

When switching the power amplifier on, the PROTECT-LED lights for approximately 2 seconds. This is normal. It signals that the protection circuitry is in working order.

Power ON Indicator

This LED lights when the power amplifier is connected to the mains and its power switch is set to the ON-position. If the indicator does not light although the power amplifier is switched on, the appliance is not connected to the mains or the primary fuse is blown.

Protection Circuitry

The DPA-Series power amplifiers are equipped with extensive protection circuitry:

- initial current inrush limiter
- power-on delay
- RF and DC protection
- Back-EMF protection
- limiters for the audio signals
- output peak-current-limiters
- thermal overload of the heat sink
- thermal overload of the mains transformer
- output voltage overload limiters

High-level signals in the low frequency range can drive the output transformers of power amplifiers that do not provide audio signal limiters into saturation, resulting in nasty distortion and high thermal load of the power amplification stage. The audio signal limiters of the DPA-Series power amplifiers are designed to quickly identify the occurring saturation of the core of an output transformer. The level is dynamically reduced to a value, that stays just below the point of where the saturation starts. The Limit-LEDs on the front panel indicate that the limiters have been activated. Despite the protection that is provided through the audio signal limiters, the Limit-LEDs should not light over a longer period of time. Please, locate the cause of the faulty operation – e. g. lower the LF-EQ setting at the connected mixing console when at the same time the input level at the power amplifier is approximately +10 dB above the nominal input level.

The DPA-Series power amplifiers employ integrated Lo-Cut filters at 45 Hz with 18 dB/oct. for each channel. They protect the loudspeaker systems that are connected via output transformers against low-frequency audio signals, which, depending on the quality and size of the involved transformers, could lead to problems with core saturation. In addition to the 45 Hz Lo-Cut filters, the frequency response of the DPA-Series power amplifiers top margin is set by 30 kHz Hi-Cut filters with 12 dB/oct., preventing unwanted high-frequency audio signals from being present at the outputs.

Mains Operation And Leakage Power

The mains power consumption as well as the leakage power is stated for driving the power amplifier at different levels. All the values were measured at nominal load via the 100 V output with two channels driven. The shown values differ only slightly when the appliance is operated at different nominal output voltages or in the Direct Out mode.

mains operation at the 100 V output	U _{mains} [V]	I _{mains} [A]	P _{mains} [VA]	P _{mains} [W]	P _{out} [W]	P _v [W]	BTU/hr
DPA 4245							
idling	230V	0,34	78	47	—	47	160
normal operation (-10 dB)	230V	2,76	635	490	70	420	1430
alarm (-3 dB)	230V	5,54	1274	1040	352	688	2347
nominal conditions	230V	7,45	1714	1420	700	720	2456
DPA 4260							
idling	230V	0,57	131	80	—	80	273
normal operation (-10 dB)	230V	3,66	842	655	101	554	1890
alarm (-3 dB)	230V	7,34	1688	1370	506	864	2948
nominal conditions	230V	9,86	2268	1900	1000	900	3070

initial current inrush for both models: < 38 A

P_{mains}[VA] = apparent power U_{mains}*I_{mains}, P_{mains}[W] = active power, P_{out}[W] = output power, P_v[W] = leakage power, 1BTU = 1055.06 W/s

Fuses

location	pos.	utilization	value	dimensions	standard
rear panel DPA 4245	—	mains fuse 230V~ AC	T8A 250V	5 x 20 mm	IEC 127
rear panel DPA 4260	—	mains fuse 230V~ AC	T10A 250V	5 x 20 mm	IEC 127
print 84171/1	F1	power supply	T1A 250V	5 x 20 mm	IEC 127
print 84171/1	F2	power supply	T1A 250V	5 x 20 mm	IEC 127

Extension Kits For The DPA 4245 And The DPA 4260:

NRS 90208 balanced input (input transformer for a single channel)

NRS 90235 1 pair of rack-mount ears

Technical Specifications: DPA 4245, DPA 4260

Amplifier at rated conditions, both channels driven, direct outputs with 8Ω loads, isolated outputs with rated load and voltage, unless otherwise specified.

DUAL MODE	DPA4245					DPA4260				
	Direct Output		Isolated Outputs			Direct Output		Isolated Outputs		
Output Definition	8Ω	4Ω	100V	70V	25V	8Ω	4Ω	100V	70V	25V
Load impedance or rated output voltage										
Rated Load Impedance isolated outputs only			28.5Ω	14Ω	1.8Ω			20Ω	9.8Ω	1.25Ω
Maximum Midband Output Power THD=1%, 1kHz	240W	450W	410W	400W	390W	330W	600W	590W	580W	570W
Maximum Midband Output Voltage THD=1%, 1kHz, RMS, rated load	44V	42.4V	108V	74.8V	26.5V	51.3V	49V	109.5V	75.4V	26.7V
Rated Output Power THD <0.2%, 45Hz ... 20kHz, >10min. according IEC 268-3	230W	350W	350W	350W	350W	300W	500W	500W	500W	500W
Rated Output Voltage THD<0.2%, 45Hz ... 20kHz	42.9V	37.4V	100V	70V	25V	49V	44.7V	100V	70V	25V
Maximum RMS Voltage Swing THD=1%, 1kHz, no load connected		44V	125 V	87V	31V		52V	121V	88V	32V
Frequency Response , -3dB, ref.1kHz LO-Cut-Filter: 18dB/octave, 45Hz HI-Cut-Filter: 12dB/octave, 30kHz	45 Hz 30kHz		45 Hz.... 22kHz			45 Hz 30kHz		45 Hz 22kHz		
Voltage Gain at 1 kHz	34 dB	34 dB	42 dB	39 dB	30 dB	35 dB	35 dB	42 dB	39 dB	30 dB
Input Sensitivity and Impedance at rated condition	0dBu (775mV) / 20 kOhm									
Slew Rate	25 V/μs					30 V/μs				
Power Bandwidth THD=1%, ref. 1kHz, half power @ rated load impedance	45Hz ...50kHz		45Hz 25kHz			45Hz 50kHz		45Hz 25 kHz		
THD at rated output power, MBW=80kHz, 1 kHz	< 0.05%	< 0.1%	< 0.2%	< 0.3%	< 0.3%	< 0.05 %	< 0.1%	< 0.2%	< 0.3%	< 0.3%
IMD-SMPTE 60 Hz, 7 kHz	< 0.08%	< 0.1%	< 0.3%	< 0.5%	< 0.5%	< 0.08%	< 0.1%	< 0.3%	< 0.5%	< 0.5%
DIM30 3.15 kHz, 15 kHz	< 0.03%	< 0.2%	< 0.2%	< 0.2%	< 0.2%	< 0.03 %	< 0.2%	< 0.3 %	< 0.3%	< 0.3%
Crosstalk ref. 1kHz, at rated output power	< -80dB									
Input Impedance 20Hz ... 20 kHz, balanced	20 kOhm									
Damping Factor at 100Hz / 1kHz, direct outputs only	> 300 / > 200					> 300 / > 200				
Insertion Loss isolated outputs only			0.7 dB	0.8 dB	0.9 dB			0.7 dB	0.8 dB	1.1 dB
Signal to Noise Ratio Rated output voltage to noise, A-weighted	> 100 dB									

BRIDGED MODE	Direct Output				Isolated Outputs			
	8Ω	200V	140V	50V	8Ω	200V	140V	50V
Output Definition Load impedance or rated output voltage								
Rated Load Impedance isolated outputs only	—	57Ω	28Ω	3.6 Ω	—	40Ω	19.6Ω	2.5 Ω
Rated Output Power THD<0.2%, 45Hz ... 20kHz	560 W	700 W	700 W	700W	600W	1000W	1000W	1000W
Maximum Bridged Output Power THD=1%, 1kHz	900W	820W	800W	780W	1200W	1180W	1160W	1140W
GENERELL Power Requirements	230V / 50Hz...60Hz							
Power Consumption at 1/8 maximum output voltage @ rated load impedance	690 W				870 W			
Protections	Audio limiters, High temperature, DC, HF, Back-EMF, Peak current limiters, Inrush current limiters, Turn-on delay, Output Transformer Saturation Protection							
Input Connectors	Euro-style, 3pin, detachable or XLR							
Output Connectors	Euro-style, 12pin, detachable, covered							
Cooling	Front-to-Rear, 3-stage-fans							
Regulations	The appliances are in accordance with EN60065, EN50081-1, EN 50082-1							
Safety Class	I							
Operating Temperature Range	+5°C ... +40°C							
Mounting Depht with Connectors	437 mm							
Mounting Depht without Connectors	377 mm							
Dimensions (W x H x D)	483mm x 132.5mm x 382mm							
Weight (net)	20.5 kg				22.5kg			

Free Manuals Download Website

<http://myh66.com>

<http://usermanuals.us>

<http://www.somanuals.com>

<http://www.4manuals.cc>

<http://www.manual-lib.com>

<http://www.404manual.com>

<http://www.luxmanual.com>

<http://aubethermostatmanual.com>

Golf course search by state

<http://golfingnear.com>

Email search by domain

<http://emailbydomain.com>

Auto manuals search

<http://auto.somanuals.com>

TV manuals search

<http://tv.somanuals.com>