

DYNE X™

32" MTS Stereo Color Television with Digital Tuner
Téléviseur couleur MTS de 32 po avec syntoniseur
numérique
Televisor a color de 32" con MTS estéreo y sintonizador
digital

DX-R32TV



USER GUIDE • GUIDE DE L'UTILISATEUR • GUÍA DEL USUARIO

Dynex DX-R32TV

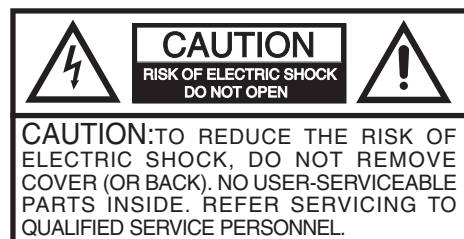
32" MTS Stereo Color

Television with Digital Tuner

Contents

Important safety instructions.....	2
Features	4
Setting up the television	5
Using the TV	10
Specifications	14
Troubleshooting	15
Legal notices	15
Warranty	17
Français	19
Español	37

Important safety instructions



Warning:

To reduce the risk of fire or electric shock, do not expose this TV to rain or moisture.

	The lightning flash with arrowhead symbol, within an equilateral triangle is intended to alert the user to the presence of uninsulated dangerous voltage within the product's enclosure that may be of sufficient magnitude to constitute a risk of electric shock.
	The exclamation point within an equilateral triangle is intended to alert the user to the presence of important operating and maintenance (servicing) instructions in the literature accompanying the appliance.

Caution



Changes or modifications not expressly approved by the party responsible for compliance with the FCC Rules could void the user's authority to operate this equipment.

Caution



To prevent electric shock, do not use this polarized plug with an extension cord, receptacle, or other outlet unless the blades can be fully inserted to prevent blade exposure.

Important safeguards

- Read all of these instructions.
- Save these instructions for later use.
- Unplug this television from the power outlet before cleaning. Use a dry cloth for cleaning. Do not use liquid cleaners or aerosol cleaners.

- To avoid hazards, use only attachments recommended by the television manufacturer.
- Do not use this television near water, such as near a bathtub, sink, or swimming pool.

Portable Cart Warning
(symbol provided by RETAC)



S3126A

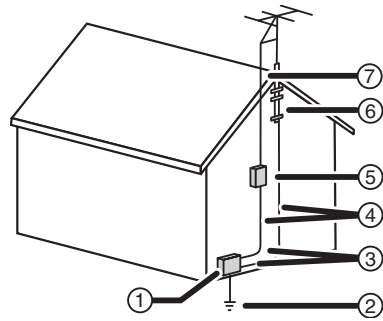
- Do not place this television on an unstable cart, stand, or table. The television may fall, causing serious injury to a child or adult, and serious damage to the television.
- Slots and openings in the sides, back, and bottom are provided for ventilation, to ensure reliable operation of the television, and to protect it from overheating.

These openings must not be blocked or covered. The openings should never be blocked by placing the television on a bed, sofa, rug, or other soft surface. This television should never be placed near or over a radiator or heat register.

This television should not be placed in a built-in installation, such as a bookcase, unless proper ventilation is provided.

- This television should be operated only from the type of power source indicated on the marking label. If you are not sure of the power supplied to your home, consult your television dealer or local power company.
- This television is equipped with a polarized alternating-current line plug (a plug having one blade wider than the other). This plug fits into the power outlet only one way. This is a safety feature. If you are unable to insert the plug fully into the outlet, try reversing the plug. If the plug should still fail to fit, contact your electrician to replace your obsolete outlet. Do not defeat the safety purpose of the polarized plug.
- Do not allow anything to rest on the power cord, and do not locate this television where the cord may be stepped on.
- Follow all warnings and instructions marked on the television.

- If an outside antenna or cable system is connected to the television, be sure the antenna or cable system is grounded so as to provide some protection against voltage surges and built-up static charges. Article 810 of the National Electrical Code, ANSI/NFPA 70, provides information with regard to proper grounding of the mast and supporting structure, grounding of the lead-in wire to an antenna discharge unit, size of grounding conductors, location of antenna-discharge unit, connection to grounding electrodes, and requirements for the grounding electrode.



Reference	Grounding component
1	Electric service equipment
2	Power service grounding electrode system (NEC Art 250, Part H)
3	Ground clamp
4	Grounding conductors (NEC Section 810-21)
5	Antenna discharge unit (NEC Section 810-20)
6	Ground clamp
7	Antenna lead-in wire

- Use No. 10 AWG (5.3 mm²) copper, No. 8 AWG (8.4 mm²) aluminum, No. 17 AWG (1.0 mm²) copper-clad steel or bronze wire, or larger, as a ground wire.
- Secure antenna lead-in and ground wires to house with stand-off insulators spaced from 4-6 feet (1.22 -1.83 m) apart.
- Mount antenna discharge unit as close as possible to where lead-in enters house.
- Use jumper wire not smaller than No. 6A WG (13.3 mm²) copper, or the equivalent, when a separate antenna-grounding electrode is used. See ANSI/NFPA70.
- An outside antenna system should not be located in the vicinity of overhead power circuits, or where it can fall into such power lines or circuits. When installing an outside antenna system, extreme care should be taken to keep from touching such power lines or circuits as contact with them might be fatal.
- For added protection for this television during a lightning storm, or when it is left unattended and unused for long periods of time, unplug it from the power outlet and disconnect it from the antenna or cable system. This prevents damage to the television due to lightning and power line surges.
- Do not overload wall outlets and extension cords, because overloading can cause a fire or electric shock.
- Never push objects of any kind into this television through slots in the case, as they may touch dangerous voltage points or short out parts that could result in a fire or electric shock. Never spill liquid of any kind on the television.

- Do not attempt to service this television yourself, because opening or removing covers may expose you to dangerous voltages or other hazards. Refer all servicing to qualified service technicians.
- Unplug this television from the wall outlet and refer servicing to qualified service technicians under the following conditions:
 - When the power cord or plug is damaged or frayed.
 - If liquid has been spilled into the television.
 - If the television has been exposed to rain or water.
 - If the television does not operate normally by following the operating instructions. Adjust only those controls that are covered by the operating instructions, because incorrect adjustment of other controls may result in damage and often requires extensive work by a qualified technician to restore normal operation.
 - If the television has been dropped or the case has been damaged.
 - When the television exhibits a distinct change in performance.
- When replacement parts are required, be sure the service technician has used replacement parts specified by the manufacturer that have the same characteristics as the original part. Unauthorized substitutions may result in fire, electric shock, or other hazards.
- Upon completion of any service or repairs to this television, ask the service technician to perform routine safety checks to determine that the television is safe to operate.

Note to cable television system installer

This reminder is provided to call the cable television system installer's attention to Section 820.40 of the NEC which provides guidelines for proper grounding and, in particular, specifies that the cable ground shall be connected to the grounding system of the building, as close to the point of cable entry as practical.

Features

- **High quality picture**—Horizontal resolution more than 500 lines exceeds Super VHS (400 lines) or Laser Disc (430 lines) in resolution.
- Compatibility with a wide range of audio outputs.
- **Integrated digital tuner**—You can view digital broadcasting without using a Digital TV Set-Top Box.
- **Closed caption decoder with full text mode**—Displays text captions or full screen text on the screen for hearing impaired viewers.
- **Picture adjustments using the remote control**—The on-screen display allows precise remote control adjustment of brightness, contrast, color, tint, and sharpness.
- **Programmable TV sleep timer**—Operable from the remote control, the television can be programmed for up to 120 minutes to turn off automatically.
- **V-Chip**—The V-Chip function can read the rating of a television program or movie content if the program is encoded with this information. The V-chip allows you to set a restriction level.
- **Stereo/SAP reception**—This television is designed to receive stereo and second audio program (SAP) broadcasts where available.
- **S-Video/Component video jacks**—A VCR, DVD player, satellite receiver, or other audio/video component can be connected to this television.
- **Video input jacks**—This television is equipped with three (3) types of video input jacks. The component video in jacks and S-video in jack enable you to watch the DVD player or the video devices with a high quality picture.
- **On-Screen 3-language display**—You can select one of three languages—English, Spanish, or French—for on-screen programming.

* Manufactured under license from Dolby Laboratories. "Dolby" and the double-D symbol are trademarks of Dolby Laboratories.

Box contents

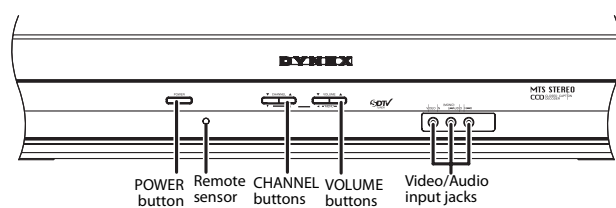
Verify that the box contains:

- Color television
- Remote control
- AAA batteries (2)
- User Guide

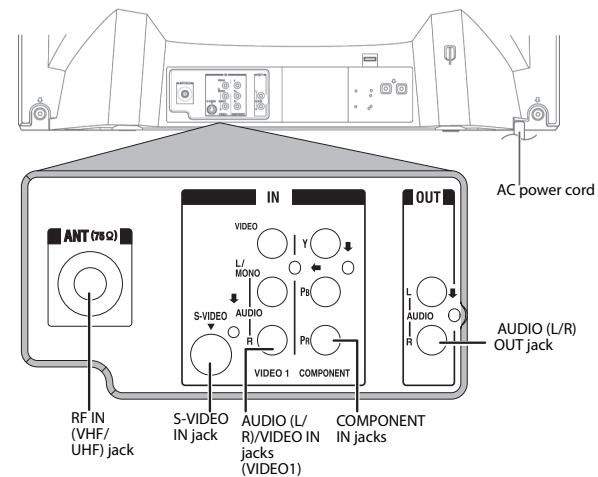
If any components are missing, contact Dynex immediately. Keep the box and packing materials so that you can store or transport your television.

Parts and functions

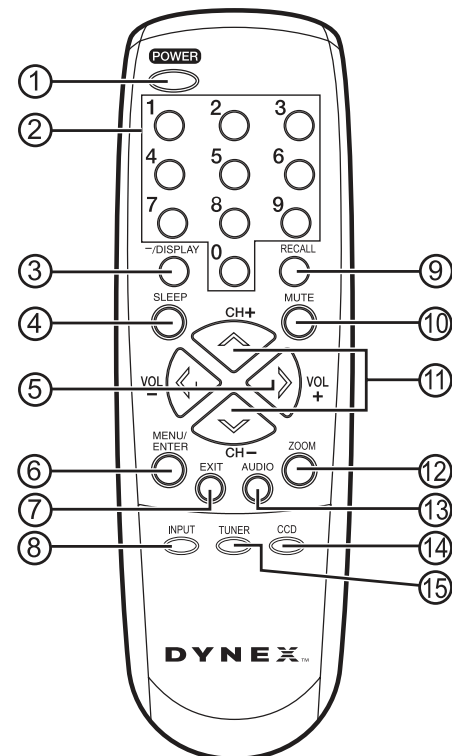
Front



Back



Remote control



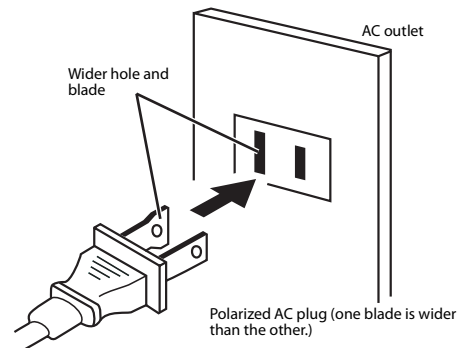
No.	Button	Description
1	POWER	Press to turn the television on. Press again to turn the television off.
2	Direct channel selection (0-9)	Use to directly go to any channel.
3	-/DISPLAY	When the television is receiving an analog signal, press this button to display the current information on-screen. When the television is receiving a digital signal, press this button once to display the digital information on-screen. Press this button a second time to display the analog information on-screen. To remove the display from the screen, press this button again. This button is also the - button used when selecting digital channels.

No.	Button	Description
4	SLEEP	To set the television to turn off after a preset amount of time, press the SLEEP button. The clock counts up ten minutes each time the button is pressed in the order of 0, 10, 20...100, 110, 120 minutes. After the sleep time is programmed, the display disappears then reappears momentarily every ten minutes to remind you the sleep timer function is operating. To confirm the sleep time setting, press the SLEEP button once and the remaining time is momentarily displayed. To cancel sleep time, press the SLEEP button repeatedly until the display turns to 0.
5	VOL + / -	Press the + button to increase the volume level. Press the - button to decrease the volume level. Use these buttons to select the desired setting during the menu screen operation.
6	MENU/ENTER	Press to display the menu screen function. Press to enter or select operations during operation of the menu screen.
7	EXIT	Press to remove the menu screen.
8	INPUT	Press this button to display the SOURCE SELECTION menu to select the video input source.
9	RECALL	Press this button to go back to the previously viewed channel. Press this button again to return to the channel you were watching.
10	MUTE	To turn off the sound, press this button once. The television is silenced and the symbol MUTE appears on the screen. The muting feature can be turned off by pressing the MUTE button again or one of the VOL + or - buttons.
11	CH + / -	Press the CH + (up) button to change to a higher numbered channel set into memory. Press the CH - (down) button to change to a lower numbered channel set into memory. Use to select the desired setting during menu operation.
12	ZOOM	Press this button to change the picture size.
13	AUDIO	Press this button to select the desired sound.
14	CCD	Press this button to display the CLOSED CAPTION menu.
15	TUNER	Press this button to select the analog/digital mode.

Setting up the television

Connecting your television to AC power

Use the AC polarized cord provided for operation on AC. Insert the AC plug into a standard 120V 60 Hz polarized AC outlet.



Notes:

Never connect the AC plug to other than the specified voltage (120V 60 Hz).

Use the attached power cord only.

If the polarized AC cord does not fit into a non-polarized AC outlet, do not file or cut the blade. It is your responsibility to have an electrician replace the obsolete outlet.

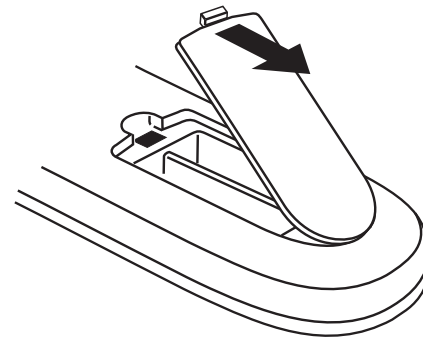
If you cause a static discharge when touching the television and the television fails to work, unplug the television from the AC outlet, then plug it back in. The television should work normally.

Installing batteries in the remote control

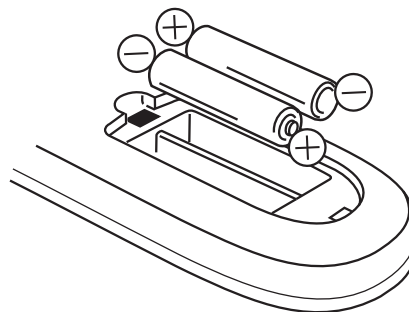
Before using the remote control, you must install batteries. Use two AAA size batteries. The batteries may last about one year depending on how much the remote control is used. For best performance, we recommend the batteries should be replaced on a yearly basis, or when the remote operation becomes erratic. Do not mix old and new batteries or different types.

To install batteries in the remote control:

- 1 Open the battery compartment cover.



- 2 Install two AAA batteries.



- 3 Replace the battery compartment cover.

Battery precautions

Follow these precautions when using batteries in this remote control:

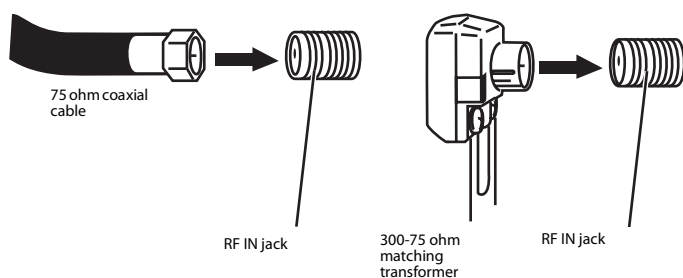
- Use only the size and type of batteries specified.
- Make sure to follow the correct polarity when installing the batteries as indicated in the battery compartment. Reversed batteries may damage the device.
- Do not mix different types of batteries together (such as alkaline and carbon-zinc) or old batteries with fresh ones.
- If the remote is not to be used for a long period of time, remove the batteries to prevent damage or injury from possible battery leakage.
- Do not try to recharge batteries that are not intended to be recharged. These batteries can overheat and rupture (follow battery manufacturer's directions).

Connecting to an antenna

When shipped from the factory, the TV/CABLE menu option is set to the **CABLE** (Cable Television) mode. If you are not using Cable TV, set this menu option to the **TV** position.

If you are using an indoor or outdoor antenna, follow the instructions that correspond to your antenna system. If you are using a cable television service, see "Connecting to cable television" on page 6.

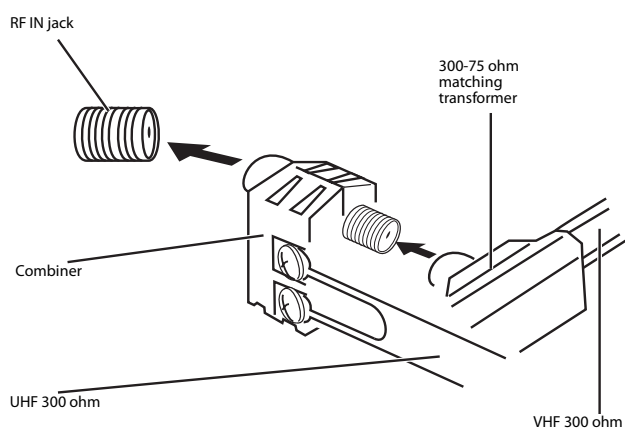
Combination VHF/UHF antenna (single 75 ohm cable or 300 ohm twin-lead wire)



Connecting a combination VHF/UHF antenna with a twin-lead wire:

- 1 Connect the 75 ohm cable from the combination VHF/UHF antenna to the RF IN jack.
- 2 If your combination VHF/UHF antenna has a 300 ohm twin-lead wire, you may need to use a 300-75 ohm matching transformer.

Combination VHF/UHF antenna (separate VHF and UHF 300 ohm twin-lead wires)

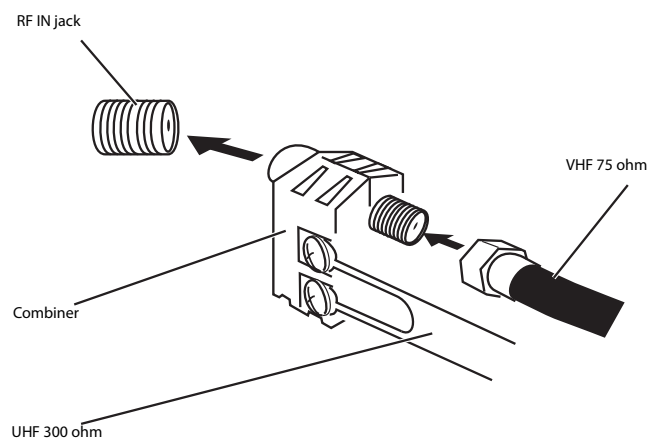


Connecting a combination VHF/UHF antenna with separate wires:

- 1 Connect the UHF 300 ohm twin-lead wire to the combiner (not supplied).

- 2 Connect the VHF 300 ohm twin-lead wire to the 300-75 ohm matching transformer.
- 3 Attach the transformer to the combiner, then attach the combiner to the RF IN jack.

Separate VHF/UHF antennas (75 ohm VHF cable and 300 ohm UHF twin-lead wires)



Connecting separate VHF/UHF antennas:

- 1 Connect the VHF 75 ohm cable and UHF 300 ohm twin-lead wire to the combiner.
- 2 Attach the combiner to the RF IN jack.

Connecting to cable television

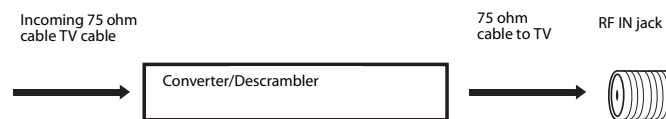
This television has an extended tuning range and can tune most cable channels without using a cable television converter box. Some cable television companies offer *premium pay channels* in which the signal is scrambled. Descrambling these signals for normal viewing requires the use of a descrambler device which is generally provided by the cable television company.

For subscribers to basic cable television service



For basic cable service not requiring a converter/descrambler box, connect the 75 ohm coaxial cable directly to the RF IN jack on the back of the television.

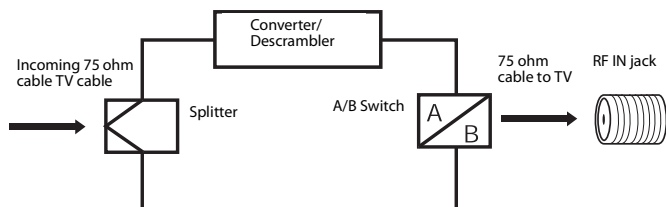
For subscribers to scrambled cable television service



Connecting the TV to cable television:

- 1 If you subscribe to a cable television service which requires the use of a converter/descrambler box, connect the incoming 75 ohm coaxial cable to the converter/descrambler box.
- 2 Using another 75 ohm coaxial cable, connect the output jack of the converter/descrambler box to the RF IN jack on the television. Follow the connections shown above.
- 3 Set the television to the output channel of the converter/descrambler box (usually channel 3 or 4) and use the converter/descrambler box to select channels.

For subscribers to unscrambled basic cable television service with scrambled premium channels



If you subscribe to a cable television service in which basic channels are unscrambled and premium channels require the use of a converter/descrambler box, you may wish to use a signal splitter and an A/B switch box (available from the cable television company or an electronics supply store). Follow the connections shown above.

With the switch in the **B** position, you can directly tune any unscrambled channels on your television. With the switch in the **A** position, tune your television to the output of the converter/descrambler box (usually channel 3 or 4) and use the converter/descrambler box to tune scrambled channels.

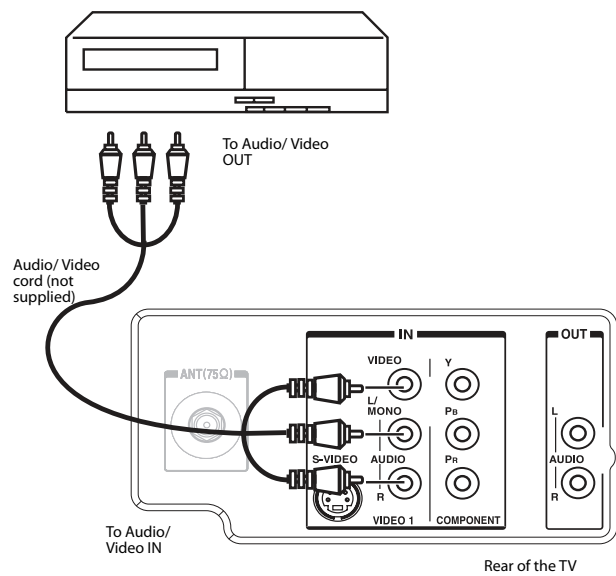
Connecting to other equipment

The exact arrangement you use to interconnect various video and audio components to the television is dependent on the model and features of each component. Check the owner's manual provided with each component for the location of video and audio inputs and outputs. The following connection diagrams are offered as suggestions. You may need to modify them to accommodate your particular assortment of components. The diagrams are intended to show component video and audio interconnections only.

Selecting the video input source:

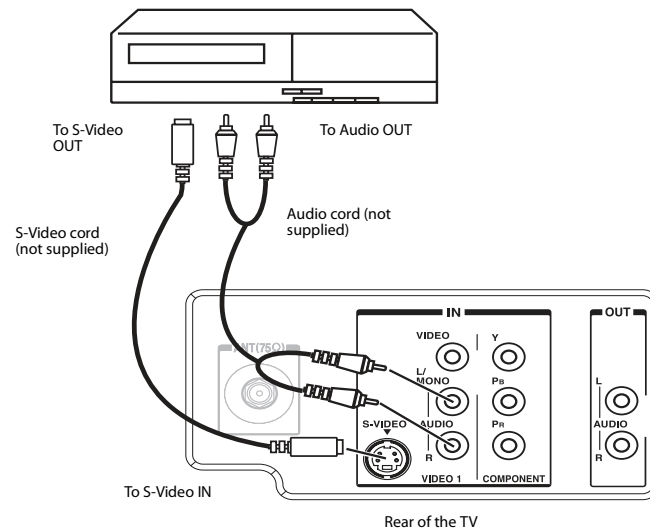
- 1 Press **INPUT** to view a signal from another device connected to your television, such as a VCR or DVD player. You can select ANT, VIDEO1, VIDEO2 (on the front panel), or COMPONENT depending on which input jacks you used to connect your devices.
- 2 Press **INPUT** on the remote control to display the current signal source. Press the channel **CH + / -** buttons or the 0 through 4 number buttons to select the desired mode.

Connecting the television to a VCR



Connecting the television to a VCR with an S-Video cord

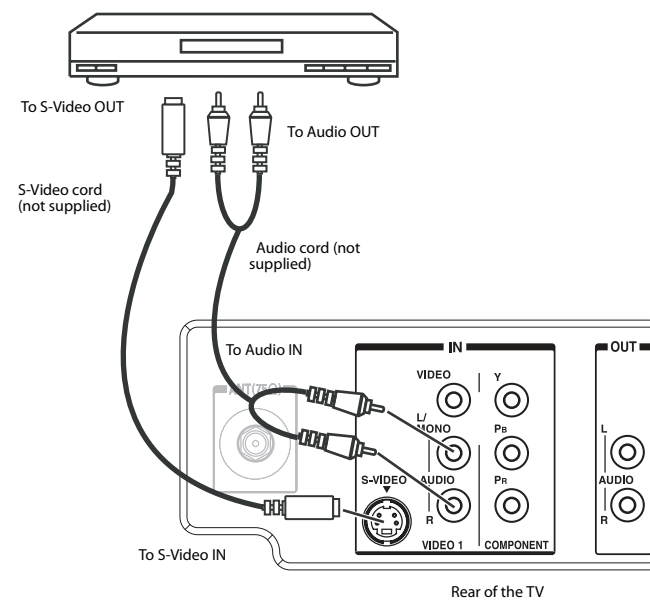
If you connect a VCR with a S-VIDEO cord to the S-VIDEO IN jack on the rear of the television, you must also connect the audio cords to the AUDIO IN jacks on the rear of the television. The S-VIDEO cord only carries the video signal. The audio signal is separate.



Note:
When the S-video cord and the video cord are connected to each jack at the same time, the S-video cord takes precedence over the video cord.

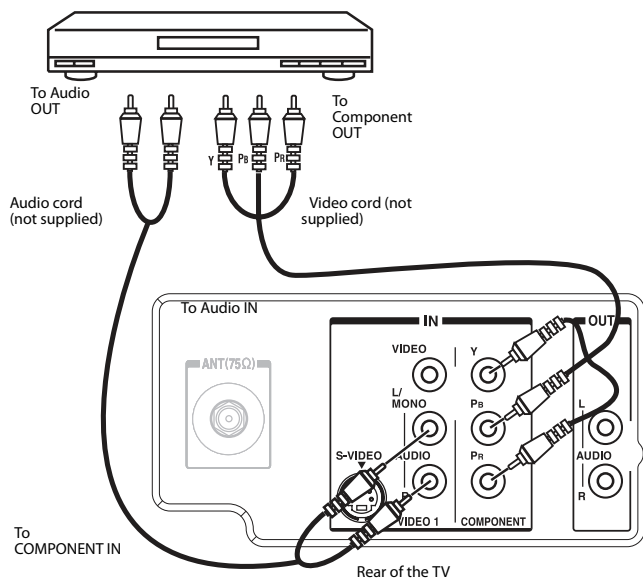
Connecting the television to a DVD player or satellite receiver

If your DVD player or satellite receiver has an S-Video out jack, connect cords as shown.



Connecting the television to a DVD player with component video

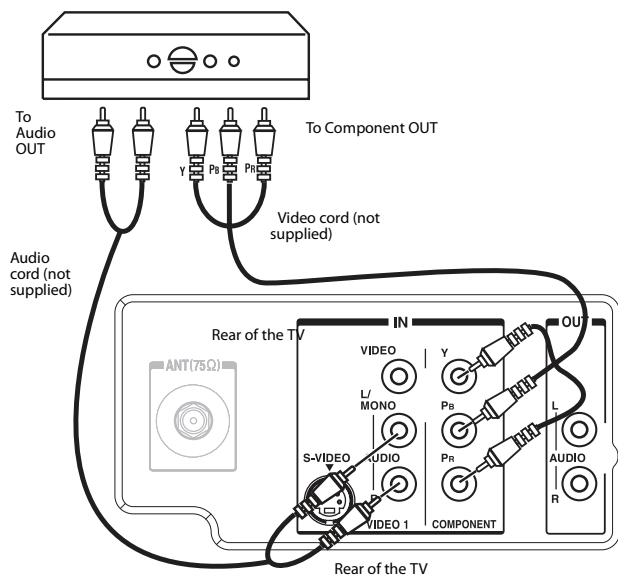
If your DVD player has component video out jacks, connect your television to a DVD player using a component video cord. It can greatly enhance picture quality and performance.

**Note:**

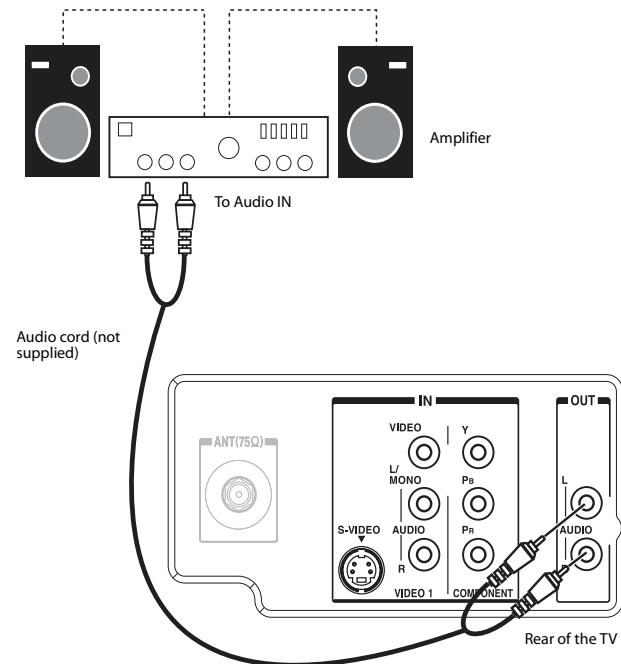
*This television is only capable of displaying 480i interlaced signal when connected to a digital device with component video outputs. If you input a 480p, 720p, or 1080i signal to the component video inputs, **COMPONENT** is displayed on a black screen. If **COMPONENT** appears, set the digital device's component output to 480i.*

Connecting the television to a DTV receiver or set-top box

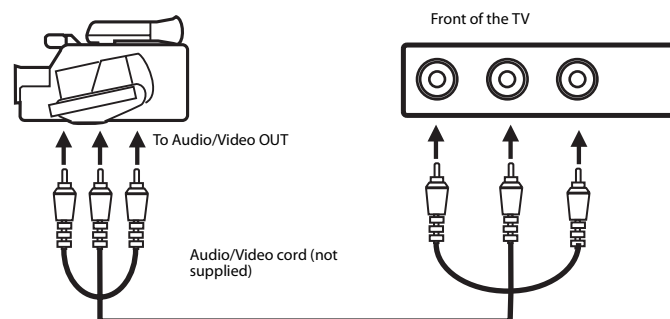
If you connect a DTV receiver/set-top box, connect your television to it by using a component video cord.

**Connecting the television to an AV amplifier**

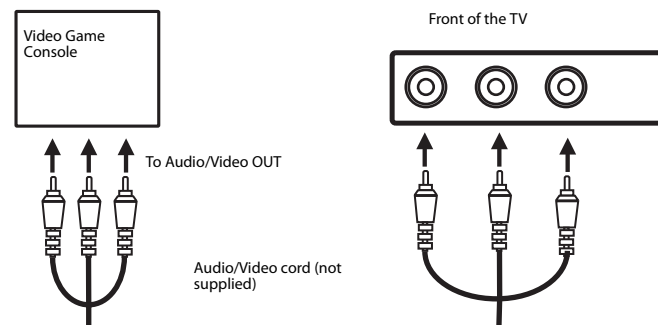
The exact configuration to connect various video and audio components to the television depends on the model and features of each component. Check the owner's manual provided with each component for the location of video and audio inputs and outputs.

**Connecting the television to a camcorder**

To play back from a camcorder, connect the camcorder to the television as shown.

**Connecting the television to a video game console**

The television can also be used as a display device for many video games. However, due to the wide variety of signals generated by these devices and subsequent connection variations required, they have not all been included in the suggested connection diagrams. You'll need to consult each component's owner's manual for additional information.



Using the menu

To access the menu using the TV buttons:

- Press both of the **CH ▲** and **CH ▼** buttons at the same time. The menu screen appears.

To access the menu using the remote control:

- Press **MENU/ENTER**. The menu screen appears.

To select a setting using the TV buttons:

- Use the **CH ▲** and **CH ▼** buttons and the **VOL ▲** and **VOL ▼** buttons.

To select a setting using the remote control:

- Use the **CH +** and **CH -** buttons and the **VOL +** and **VOL -** buttons.

Setting the language

You can choose from three different languages (English, French, and Spanish) for the on-screen displays.

To select a menu language:

- 1 Press **MENU/ENTER**. The menu screen appears.

Note:

If no buttons are pressed for more than 60 seconds, the menu screen returns to normal television operation automatically.

- 2 Press the **VOL +** and **VOL -** buttons to select **SETUP** menu.
- 3 Press the **CH +** and **CH -** buttons to select **LANGUAGE**, then press the **VOL +** button.
- 4 Press the **VOL +** and **VOL -** buttons to select the desired language:
 - **English (ENGLISH)**,
 - **French (FRANÇAIS)**, or
 - **Spanish (ESPAÑOL)**.
- 5 Press **EXIT** to return to the normal screen.

Memorizing channels

This television is equipped with a channel memory feature which allows channels to skip up or down to the next channel set into memory, skipping over unwanted channels. Before selecting channels, they must be programmed into the television's memory.

To use this television with an antenna, set the **TV/CABLE** menu option to the **TV** mode. When shipped from the factory, this menu option is in the **CABLE** mode.

Selecting TV or cable

To select TV or cable input:

- 1 Press **MENU/ENTER**. The menu screen appears.
- 2 Press the **VOL +** and **VOL -** buttons to select the **SETUP** menu.
- 3 Press the **CH +** and **CH -** buttons to select **TV/CABLE**.
- 4 Press the **VOL +** and **VOL -** buttons to select **TV** or **CABLE**.
 - **TV**—VHF/UHF channels
 - **CABLE**—Cable television channels
- 5 Press **EXIT** to return to the normal screen.

Note:

It may take a few seconds for a digital channel picture to appear on screen after being selected.

Cable chart

The following chart is typical of many cable system channel allocations. The number on the top is the number on the television. The number or letter on the bottom is the corresponding cable channel.

										14	15	16	17	18	19	20	21	22
										A	B	C	D	E	F	G	H	I
23	24	25	26	27	28	29	30	31	32	33	34	35	36	37	38	39	40	
J	K	L	M	N	O	P	Q	R	S	T	U	V	W	AA	BB	CC	DD	
41	42	43	44	45	46	47	48	49	50	51	52	53	54	55	56	57	58	
EE	FF	GG	HH	II	JJ	KK	LL	MM	NN	OO	PP	QQ	RR	SS	TT	UU	VV	
59	60	61	62	63	64	65	66	67	68	69	70	71	72	73	74	75	76	
WW	AAA	BBB	CCC	DDD	EEE	FFF	GGG	HHH	III	JJJ	KKK	LLL	MMM	NNN	OOO	PPP	QQQ	
77	78	79	80	81	82	83	84	85	86	87	88	89	90	91	92	93	94	
RRR	SSS	TTT	UUU	VVV	WWW	XXX	YYY	ZZZ	86	87	88	89	90	91	92	93	94	
95	96	97	98	99	100	101	102	103	104	105	106	107	108	109	110	111	112	
A-5	A-4	A-3	A-2	A-1	100	101	102	103	104	105	106	107	108	109	110	111	112	
113	114	115	116	117	118	119	120	121	122	123	124	125	01					
113	114	115	116	117	118	119	120	121	122	123	124	125	5A					

Automatic memory tuning

Memorizing channels is best accomplished during evening "primetime" hours, as more channels are broadcasting digital signals. Memorizing channels can only be accomplished while a station is broadcasting a digital signal to set the channel into memory.

If you are not sure of the digital channels available in your area, visit www.antennaweb.org to find a list based on your address or zip code.

To automatically memorize channels:

- 1 Press **MENU/ENTER**. The menu screen appears.
 - 2 Press the **VOL +** and **VOL -** buttons to select the **SETUP** menu, then press the **CH +** and **CH -** buttons to select **AUTO CH MEMORY**.
 - 3 Press the **VOL +** button. The television begins memorizing all of the channels available in your area.
- After completing analog tuning, digital tuning starts automatically. Depending on the reception condition, it may take from 15 to 30 minutes to complete memorizing digital cable channels. Depending on the condition of the reception, the BAR display may not advance for several minutes.

Note:

*Some new channels may be added. You should complete the **AUTO CH MEMORY** procedure periodically.*

Adding and deleting channels

To add or delete analog channels:

- 1 Press **TUNER** to select the Analog mode.
- 2 Press **MENU/ENTER**. The menu screen appears.
- 3 Press the **VOL +** and **VOL -** buttons to select the **OPTION** menu, then press the **CH +** and **CH -** buttons to select **ADD/DELETE**.
- 4 Press the **VOL +** button. The **ADD/DELETE** menu appears.
- 5 Select the desired channel to be memorized or deleted using the **CH +** and **CH -** buttons.
- 6 Press the **VOL +** and **VOL -** buttons to select **ADD** or **DELETE**.
- 7 Repeat steps 5-6 for other channels you want to add or delete.
- 8 Press **EXIT** to return to the normal screen.

To add or delete digital channels:

- 1 Press **TUNER** to select the Digital mode.
- 2 Press **MENU/ENTER**. The menu screen appears.
- 3 Press the **VOL +** and **VOL -** buttons to select the **OPTION** menu, then press the **CH +** and **CH -** buttons to select **DIGITAL SETUP**.
- 4 Press the **VOL +** button. The **DIGITAL SETUP** menu appears.
- 5 Press the **CH +** and **CH -** buttons to select **ADD/DELETE**, then press the **VOL +** button. The **ADD/DELETE (DTV)** menu appears.
- 6 Press the **CH +** and **CH -** buttons to select **ADD/DELETE**, then press the **VOL +** button.
- 7 Select the desired channel to be memorized or deleted using the **CH +** and **CH -** buttons.
- 8 Press the **VOL +** and **VOL -** buttons to select **ADD** or **DELETE**.

- 9 Repeat steps 6-8 for other channels you want to add or delete, then press **MENU/ENTER**.
 - 10 Press **MENU/ENTER** repeatedly to return to the normal screen.
- To add a digital channel you are watching:**
- 1 Press **TUNER** to select the Digital mode. Use the number buttons to directly select the digital channel you want to add.
 - 2 Press **MENU/ENTER**. The menu screen appears.
 - 3 Press the **VOL +** and **VOL -** buttons to select the **OPTION** menu, then press the **CH +** and **CH -** buttons to select **DIGITAL SETUP**.
 - 4 Press the **VOL -** button. The **DIGITAL SETUP** menu appears.
 - 5 Press the **CH +** and **CH -** buttons to select **ADD/DELETE**, then press the **VOL -** button. The **ADD/DELETE (DTV)** menu appears.
 - 6 Press the **CH +** and **CH -** buttons to select **ADDING CHANNEL**, then the **VOL +** button.
 - 7 Press **MENU/ENTER** repeatedly to return to the normal screen.
 - 8 Repeat steps 1-7 for other channels you want to add directly.

Using the TV

Notes:

If you select a channel with no broadcast signal, the sound is automatically muted.

If a station you are viewing stops broadcasting, the television automatically shuts itself off after 15 minutes.

To use the television:

- 1 Press **POWER** to turn on the television.
- 2 Adjust the volume level by pressing the **VOL ▲** and **VOL ▼** buttons on the TV or the **VOL +** and **VOL -** buttons on the remote control. The volume level is indicated on the screen by green bars. As the volume level increases, so do the number of bars. If the volume decreases, the number of green bars also decreases.
- 3 Set the **TV/CABLE** menu option to the appropriate position (see "Selecting TV or cable" on page 9).
- 4 Press the direct channel selection buttons to select the channel.

Selecting analog channels

When the TV/CABLE menu option is the **TV** position, all channels can be instantly selected by using two buttons.

For example, to select channel 2, press **0**, then **2**. If you press only **2**, channel selection will be delayed for a few seconds. For channels 10 and above, press the two digits in order.

When the TV/CABLE menu option is the **CABLE** position, channels can be selected as follows:

Channels	Press
1-9	Press 0 twice, then 1-9 as needed. Example: to select channel 2, press 0 0 2.
10-12	Press 0, then the remaining 2 digits. Example, to select channel 12, press 0 1 2.
13-99	Press the 2 digits in order. Example, to select channel 36, press 3 6.
100-125	Press the 3 digits in order. Example, to select channel 120, press 1 2 0.

Selecting digital channels

To select digital channels, press the channel number in order. When **-** is contained in the channel number, press the first three digits, then press **-/DISPLAY**, followed by the remaining three digits.

Example, to select channel 015-001, press **0 1 5 - 0 0 1**.

Note the following:

- If a channel is selected with only audio content, "AUDIO ONLY" will be displayed on the screen.

- If a channel is selected with a weak digital signal, "DIGITAL CHANNEL SIGNAL STRENGTH IS LOW" will be displayed on the screen.
- If the digital channel has the same analog channel, you may be able to watch the same channel on analog.
- If a channel is selected to which you have not subscribed, "DIGITAL CHANNEL IS ENCRYPTED" will be displayed on the screen.

TV	Cable
VHF 2-13	VHF 2-13
UHF 14-69	STD/HRC/IRC 14-36 (A) (W) 37-59 (AA) (WW) 60-85 (AAA) (ZZZ) 86-94 (86) (94) 95-99 (A-5) (A-1) 100-125 (100) (125) 01 (5A)

Seeking channels

To seek the next channel:

- Press and release the **CH +** and **CH -** buttons. The channel automatically stops at the next channel set into memory.

For proper operation, before seeking channels, channels should be set into the memory. See "Memorizing channels" on page 9.

Viewing information

Note:

The screen automatically returns to normal TV operation after 10 seconds.

To view program information:

- 1 Press **-/DISPLAY** to display the current information on the screen.

When the television receives a digital signal, the digital information appears:

- Broadcast program name
- Station name
- Remaining time
- Audio language
- Program name
- V-Chip rating
- V-Chip mark

When the television receives an analog signal, **-/DISPLAY** shows only analog information.

- 2 Press **-/DISPLAY** again. The analog information appears.

- Clock
- Channel number or video mode selected
- Channel label (if preset)
- Stereo or SAP (second audio program) audio status
- Picture size

- 3 Press **-/DISPLAY** again to clear the call display.

Viewing the previous channel

The **RECALL** button allows you to go back to the last channel viewed. Press **RECALL** again to return to the last channel you were watching.

Muting the volume

To mute the volume:

- 1 Press **MUTE** to turn off the sound. The television's sound is silenced and **MUTE** appears on the screen.
- 2 Switch the sound back on by pressing **MUTE** again or by pressing the **VOL +** or **VOL -** button.

Using sleep

To set the sleep function:

To set the television to turn off after a preset amount of time, press **SLEEP** on the remote control. The clock counts up ten (10) minutes for each press of the **SLEEP** button (0, 10, 20...100, 110, 120).

After the sleep time is programmed, the display appears briefly every ten minutes to remind you that the sleep timer is operating. To confirm the sleep timer setting, press **SLEEP** and the remaining time is displayed for a few seconds. To cancel the sleep timer, press **SLEEP** repeatedly until the display turns to 0.

Setting the V-Chip

An age limitation can be set to restrict children from viewing or hearing violent scenes or pictures that you may choose to exclude. The restriction applies to TV rating and movie rating if this data is transmitted. You may set this restriction separately. To use the V-Chip function, you must set a password.

Notes:

The V-Chip function is activated only on programs and input sources that have the rating signal.

It may take several minutes to complete the initial V-Chip setup.

To avoid forgetting the password, write it down and keep it in a safe place.

However, if you forget the password,

--Set the volume to the minimum setting, then press the volume down button on the TV and the 0 button on the remote control at the same time.

--Hold for more than two seconds, then reset the password.

Setting a password

To set a password:

- 1 Press **MENU/ENTER**. The menu screen appears.
- 2 Press the **VOL +** and **VOL -** buttons to select the **OPTION** menu.
- 3 Press the **CH +** and **CH -** buttons to select **V-CHIP**.
- 4 Press the **VOL +** button. The password entering screen appears.
- 5 Select and enter a password (4 digits) using the 0-9 number buttons, then press **MENU/ENTER**.
- 6 Enter the same password again to confirm, then press **MENU/ENTER** to set the password.
- 7 Press **EXIT** to return to the normal screen.

Setting the V-Chip

To set the V-Chip:

- 1 Press **MENU/ENTER**. The menu screen appears.
- 2 Press the **VOL +** and **VOL -** buttons to select the **OPTION** menu.
- 3 Press the **CH +** and **CH -** buttons to select **V-CHIP**.
- 4 Press the **VOL +** button. The password entering screen appears.
- 5 Enter your 4-digit password using the 0-9 number buttons, then press **MENU/ENTER**. The **V-CHIP** menu appears.
- 6 Press the **CH +** and **CH -** buttons to select **V-CHIP SET**, then press the **VOL +** button. The **V-CHIP SET** menu appears.
- 7 Press the **CH +** and **CH -** buttons to select **TV RATING**, then press the **VOL +** and **VOL -** buttons to display the desired rating.
 - **OFF**—**TV RATING** is not set
 - **TV-Y**—All children
 - **TV-Y7**—7 years old and above
 - **TV-G**—General audience
 - **TV-PG**—Parental guidance
 - **TV-14**—14 years old and above
 - **TV-MA**—17 years old and above

When you select TV-Y7, TV-PG, TV-14, or TV-MA, press **-/DISPLAY** to further define the rating. Press the **CH +** and **CH -** buttons to select the desired rating you want. Press the **VOL +** and **VOL -** buttons to select the setting **ON** or **OFF**.

- 8 Press the **CH +** and **CH -** buttons to select **MOVIE RATING**, then press the **VOL +** button. The **RATING** menu appears.
- 9 Press the **CH +** and **CH -** buttons to select the rating, then press the **VOL +** and **VOL -** buttons to select **ON** or **OFF** for each rating.
 - **G**—All ages

- **PG**—Parental guidance
- **PG-13**—Parental guidance less than 13 years old
- **R**—Under 17 years old parental guidance suggested
- **NC-17**—17 years old and above
- **X**—Adult only

- 10 Press **MENU/ENTER** twice to return to the **V-CHIP** menu, then press the **CH +** and **CH -** buttons to select **V-CHIP**.
- 11 Press the **VOL +** and **VOL -** buttons to elect **ON**. Your settings are now set into memory.
- 12 Press **EXIT** to return to the normal screen.

Watching a protected show

To watch a program that is blocked by the V-Chip:

- 1 Press **MUTE**.
- 2 Enter the password, then press **MENU/ENTER**.
After you enter the password correctly, the protection is temporarily overridden. If the television is turned off, or if the channel is changed, the V-Chip restriction is reactivated.

Changing the password

To change the password:

- 1 Press **MENU/ENTER**. The menu screen appears.
- 2 Press the **VOL +** and **VOL -** buttons to select the **OPTION** menu, then press the **CH +** and **CH -** buttons to select **V-CHIP**.
- 3 Press the **VOL +** button to display the password entering mode. Use the number buttons (0-9) to enter your password, then press **MENU/ENTER**. The **V-CHIP** menu appears.
- 4 Press the **CH +** and **CH -** buttons to select **CHANGE PASSWORD**, then press the **VOL +** button to display a blank password screen.
- 5 Enter a new password using the number buttons (0-9), then press **MENU/ENTER**.
- 6 Enter the same password again to confirm, then press **MENU/ENTER**.
- 7 Press **EXIT** to return to the normal screen.

Downloading the additional V-Chip rating system

As a supplement to the standard V-Chip rating system, your television is equipped to download an additional rating system, if such a system becomes available in the future.

Notes:

You can only download the additional V-Chip rating system when your television is receiving a digital signal.

When you download the additional rating system, it may take some time for the download to occur.

The V-Chip rating information and system are not determined or not controlled by the television or Dynex.

The downloadable V-Chip rating system is an evolving technology; therefore, availability, content, and format may vary.

The standard V-Chip rating system is available whether your television is receiving a digital signal or not, and will block both analog and digital programs. To set program blocking using the standard V-Chip rating system, select V-CHIP in step 5.

To download the additional V-Chip rating system (when available):

- 1 Press **TUNER** to select the Digital mode.
- 2 Press **MENU/ENTER**. The menu screen appears.
- 3 Press the **VOL +** and **VOL -** buttons to select the **OPTION** menu, then press the **CH +** and **CH -** buttons to select **V-CHIP**.
- 4 Press the **VOL +** button to display the password entering mode. Use the number buttons (0-9) to enter your password, then press **MENU/ENTER**. The **V-CHIP** menu appears.
- 5 With the television receiving a digital signal, press the **VOL +** and **VOL -** buttons to select **V-CHIP SET (DTV)**, then press the **CH -** button.

- 6 If the television is not storing the additional rating system, the TV will begin downloading the new rating system. This may take some time to download completely.
- 7 Press the **CH +** and **CH -** buttons to select **RRT SET**, then press the **VOL +** button.
- 8 Set your preferences for the content rating limits for the additional rating system.

Setting the clock

Note:
After a power failure or disconnection of the power, the clock settings will be lost. When this happens, reset the present time.

To set the clock:

- 1 Press **MENU/ENTER**, then press the **VOL +** and **VOL -** buttons to select the **SETUP** menu.
- 2 Press the **CH +** and **CH -** buttons to select **CLOCK SET**, then press the **VOL +** and **VOL -** buttons. The **CLOCK SET** menu appears.
- 3 Press the **VOL +** and **VOL -** button to set the **MONTH**, then press the **VOL +** button.
- 4 Set the **DAY, YEAR**, and **TIME** as in step 3.
- 5 After setting the date and time, the clock begins functioning automatically.
- 6 Press **EXIT** to return to the normal screen.

Setting the picture size

You can view 480i format programs in three picture sizes—4:3, 16:9, and ZOOM.

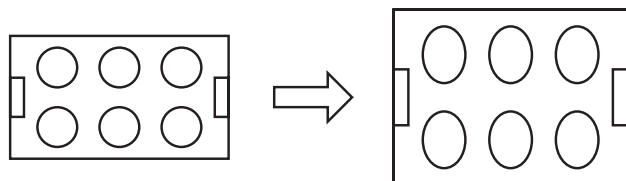
You can change the picture size by pressing the **PICTURE SIZE** button on the remote control.

- If receiving an analog signal, you can choose 4:3 or 16:9 picture size.
- If receiving a digital signal of 4:3, you can choose 4:3 picture size only.
- If receiving a digital signal of 16:9, you can choose 4:3, 16:9, or ZOOM.



4:3 picture size

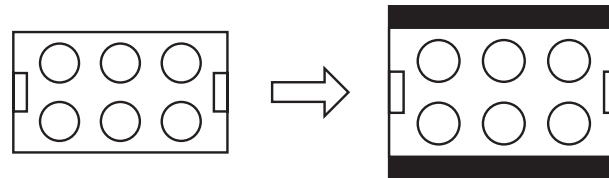
To fill the screen, the top and bottom edges are extended more widely, although the center of the picture remains near the former ratio.



If receiving a 4:3 format program, the image is displayed in its originally formatted proportion.

16:9 picture size

This image displays the size of standard 16:9 with black bars at the top and bottom.

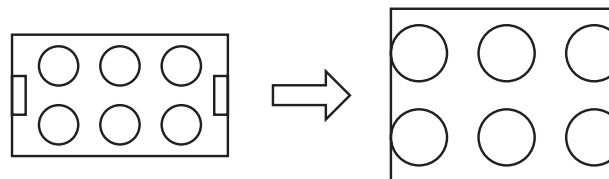


If receiving a 4:3 format program, the image is displayed with black bars at the top and bottom and stretched wider.

Note:
If a fixed black bar remains on the screen for long periods of time, the image can become permanently engrained in the screen and cause subtle but permanent ghost images. Never leave your television on for long periods of time while it is displaying these images.

ZOOM picture size (for 16:9 format programs)

The entire picture is uniformly enlarged—it is stretched the same amount both wider and taller (retains its original proportion). The right and left edges of the picture may be hidden.



Adjusting the picture

Note:
The **CONTRAST** default setting is set to maximum at the factory.

To adjust the picture:

- 1 Press **MENU/ENTER**, then press the **VOL +** and **VOL -** buttons to select the **PICTURE** menu.
- 2 Press the **CH +** and **CH -** buttons to select the item you want to adjust.
- 3 Press the **VOL +** and **VOL -** buttons to adjust the setting.

Item	<	>
BRIGHTNESS	decrease	increase
CONTRAST	decrease	increase
COLOR	paler color	brilliant color
TINT	reddish tint	greenish tint
SHARPNESS	softer picture	clearer picture

- 4 After modifying your desired setting, press **EXIT** to return to normal screen.

Resetting your picture adjustment

The **RESET** function returns your picture quality adjustments to the following factory settings:

Item	Value
BRIGHTNESS	center (0)
CONTRAST	max (32)
COLOR	center (0)
TINT	center (0)
SHARPNESS	center (0)

To reset the picture adjustment:

- 1 Press **MENU/ENTER**, then press the **CH +** and **CH -** buttons to select the **PICTURE** menu.
- 2 Press the **CH +** and **CH -** buttons to select **RESET**, then press the **VOL +** button.

Note:

When you press **RESET** in the **PICTURE** menu, the picture adjustments return to the factory preset levels.

Controlling closed captioning

This television has the capability to decode and display closed captioned television programs. Closed captioning displays text on the screen for hearing-impaired viewers or translates and displays text in another language.

Captions: This closed caption mode displays text on the screen in English or another language. Generally, closed captions in English are transmitted on C1 and closed captions in other languages are transmitted on C2.

Text: The text closed caption mode usually fills ½ of the screen with a programming schedule or other information.

Notes:

If the program or video you select is not closed-captioned, no captions display on-screen.

If text is not available in your viewing area, a black rectangle may appear on-screen. If this happens, set the closed caption feature to **OFF**.

When selecting closed captions, the captioning delays about ten seconds.

If no caption signal is received, no captions appear, but the television remains in the caption mode.

Misspellings or unusual characters may occasionally appear during closed captioning. This is normal with closed captioning, especially with live programs. This is because during live programs, captions are also entered live. These transmissions do not allow time for editing.

When captions are being displayed, on-screen displays, such as volume and mute, may be seen but may interfere with closed captions.

Some cable television systems and copy protection systems may interfere with the closed captioned signal.

If using an indoor antenna or if television reception is very poor, the closed caption decoder may not appear or may appear with strange characters or misspelled words. In this case, adjust the antenna for better reception or use an outdoor antenna.

To turn on closed captions (analog mode):

- 1 Tune the television to the desired program in analog mode.
- 2 Press **MENU/ENTER**, then press the **VOL +** and **VOL -** buttons to display the **OPTION** menu.
- 3 Press the **CH +** and **CH -** buttons to select **CLOSED CAPTION**. Press the **VOL -** button to display the **CLOSED CAPTION** menu.

Notes:

Depending on the broadcast signal, some analog captions function with a digital broadcast signal.

This screen can be displayed by pressing **CCD**.

- 4 Press the **CH +** and **CH -** buttons to select the desired closed caption mode, then press **MENU/ENTER**.
 - To view captions, select C1 or C2. C1 displays translation of the primary language in your area. If the program or video you selected is not closed captioned, no captions will display on screen.
 - To view text, select T1 or T2. If text is not available in your viewing area, a black rectangle may appear on screen. If this happens, set the Closed Caption feature to **OFF**.
 - To turn the closed caption feature off, select **OFF**.
- 5 Press **EXIT** to return to the normal screen.

To turn on closed captions (digital mode):

- 1 Tune the television to the desired program in digital mode.

- 2 Press **MENU/ENTER**, then press the **VOL +** and **VOL -** buttons to display the **OPTION** menu.
- 3 Press the **CH +** and **CH -** buttons to select **CLOSED CAPTION**. Press the **VOL +** button to display the **CLOSED CAPTION** menu.
- 4 Press the **CH +** and **CH -** buttons to select **ANALOG CAPTION** or **DIGITAL CAPTION**.
- 5 Press the **VOL +** and **VOL -** buttons to select the desired closed caption mode, then press **MENU/ENTER**.
- 6 Press **EXIT** to return to the normal screen.

Adjusting closed captioning

Closed captions are factory preset. However you can adjust them individually. This feature is designed to customize digital captions only.

Note:

Do not set the closed caption **TEXT COLOR** and **BACKGROUND COLOR** the same, or you will not be able to see the text.

To adjust closed captioning:

- 1 Press **MENU/ENTER**. The menu screen appears.
- 2 Press the **VOL +** and **VOL -** buttons to select the **OPTION** menu.
- 3 Press the **CH +** and **CH -** buttons to select **DIGITAL SETUP**, then press the **VOL +** button.
- 4 Press the **CH +** and **CH -** buttons to select **CC ADVANCED**, then press the **VOL +** button. The **CC ADVANCED** menu appears.
- 5 Press the **CH +** and **CH -** buttons to the item you want to adjust, then press the **VOL +** button.
- 6 Press the **CH +** and **CH -** buttons to select the setting, then press **MENU/ENTER**.

You can select from among the following items and parameters.

- **TEXT SIZE:** AUTO, SMALL, STANDARD, LARGE
- **TEXT TYPE:** AUTO, DEFAULT, MONO W. SERIF, PROP W. SERIF, MONO W/O. SERIF, PROP W/O. SERIF, CASUAL, CURSIVE, SMALL CAPITALS
- **TEXT COLOR:** AUTO, BLACK, WHITE, RED, GREEN, BLUE, YELLOW, MAGENTA, CYAN
- **TEXT EDGE:** AUTO, NONE, RAISED, DEPRESSED, UNIFORM, LEFT DROP SHADOW, RIGHT DROP SHADOW
- **BACKGROUND COLOR:** AUTO, BLACK, WHITE, RED, GREEN, BLUE, YELLOW, MAGENTA, CYAN

- 7 Press **MENU/ENTER** repeatedly until the menu screen is cleared.

Selecting Stereo/Second Audio Program (SAP)

The multi-channel TV sound (MTS) feature provides high-fidelity stereo sound. MTS also can transmit a second audio program (SAP) containing a second language or other audio information. When the television receives a stereo or SAP broadcast, the word **STEREO** or **SAP** displays on-screen every time you turn the television on, change the channel, or press **-/DISPLAY**.

To select Stereo/Second Audio Program:

- 1 Press **MENU/ENTER** in the analog mode, then press the **VOL +** and **VOL -** buttons to select the **OPTION** menu.
- 2 Press the **CH +** and **CH -** buttons to select **SAP**, then press the **VOL +** and **VOL -** buttons to select **OFF** or **ON**.
- 3 Press **EXIT** to return to the normal screen.

To listen to stereo sound:*Notes:*

When the television is turned on or a channel is selected, **STEREO** appears on the screen, indicating that stereo broadcasting is available. When only mono broadcasting is available, there is no indicator on the screen. You can enjoy stereo sound from the left and right speakers.

- 1 if the broadcasting signal is not strong enough, or clear stereo sound is not available, press the **AUDIO** button on the remote control to change to mono. This should eliminate any noise.
- 2 Press the **AUDIO** button again to return to stereo.

To listen to a second audio program (SAP):

- 1 When the television is turned on or a channel is selected, **SAP** appears on the screen, indicating that Second Audio Program (SAP) is available.
- 2 Press the **AUDIO** button on the remote control, then select the desired SAP setting, using the following table as a guide.

Broadcast	SAP setting	Audio display
MONO	OFF	MONO
	ON	MONO
STEREO	OFF	STEREO <->MONO
	ON	STEREO <->MONO
MONO+SAP	OFF	MONO
	ON	SAP
STEREO	OFF	STEREO <->MONO
	ON	SAP

Selecting the audio language

When two or more audio languages are included in a digital signal, you can select one of the audio languages.

To select the audio language:

- 1 Press **TUNER** to select the Digital mode.
- 2 Press **MENU/ENTER**. The menu screen appears.
- 3 Press the **VOL +** and **VOL -** buttons to select the **OPTION** menu, then press the **CH +** and **CH -** buttons to select **DIGITAL SETUP**.
- 4 Press the **VOL +** button. The **DIGITAL SETUP** menu appears.
- 5 Press the **CH +** and **CH -** buttons to select **AUDIO LANGUAGE**, then press the **VOL +** button. The **AUDIO LANGUAGE** menu appears.
- 6 Press the **CH +** and **CH -** buttons to select the desired language, then press **MENU/ENTER**.
- 7 Press **MENU/ENTER** repeatedly until the menu screen is cleared.

Checking the digital signal strength

This television allows you to view the digital signal meter for digital channels.

Notes:

The signal meter feature is not available for analog channels. After four minutes, the **SIGNAL METER** screen returns to normal television-operation automatically.

To check the digital signal strength:

- 1 Press **MENU/ENTER**. The menu screen appears.
- 2 Press the **VOL +** and **VOL -** buttons to select the **OPTION** menu, then press the **CH +** and **CH -** buttons to select **DIGITAL SETUP**.
- 3 Press the **VOL +** button. The **DIGITAL SETUP** menu appears.
- 4 Press the **CH +** and **CH -** buttons to select **SIGNAL METER**, then press the **VOL +** button to check the strength of the digital signal.
- 5 Press **MENU/ENTER** repeatedly until the menu screen is cleared.

Using the auto shut-off feature

When the auto shut-off feature is on and a station being viewed stops broadcasting, the television will shut off automatically 15 minutes after broadcasting stops.

To use the auto shut-off feature:

- 1 Press **MENU/ENTER**. The menu screen appears.
- 2 Press the **VOL +** and **VOL -** buttons to select the **OPTION** menu, then press the **CH +** and **CH -** buttons to select **AUTO SHUT OFF**.
- 3 Press the **CH +** and **CH -** buttons to select **ON** or **OFF**.
- 4 Press **EXIT** to return to the normal screen.

Specifications

Design and specifications are subject to change without notice.

Power supply	AC 120V, 60 Hz
Power Consumption	
Operation	110 Watts
Standby	3 Watts
Chassis Construction	
Weight	114.7 lbs. (52.0 kg)
Width	32.9 inches (836 mm)
Height	21.69 inches (551 mm)
Depth	25.79 inches (655 mm)
Inputs	
VIDEO	1 V (p-p)/75 ohms
AUDIO	-8 dBm/50k ohms
S-VIDEO	Y: 1 V (p-p), 75 ohms C: 0.286 V (p-p), 75 ohms
COMPONENT	Y: 1 V (p-p), 75 ohms PR: 0.7 V (p-p), 75 ohms PB: 0.7 V (p-p), 75 ohms
Output	
AUDIO	-8 dBm/50k ohms
Other	
Antenna input	VHF/UHF In 75 ohm coaxial
Picture tube	32 inches (800.1 mm diagonal)
Tuner type	NTSC Standard ATSC Standard (8VSB), QAM
Receiving channels	VHF 2-13 UHF 14-69 CABLE TV 14-36 (A)-(W) 37-59 (AA)-(WW) 60-85 (AAA)-(ZZZ) 86-94 (86)-(94) 95-99 (A-5)-(A-1) 100-125 (100)-(125) 01 (5A)
Speakers	2 inches (50.8 mm) x 3-1/2 inches (88.9 mm), 8 ohm x 2
Sound output power	1.0 W + 1.0 W

Troubleshooting

Use the following checklist for troubleshooting when you have problems with your television. Consult your local dealer or service outlet if problems persist. Be sure all connections are properly made when using with other units.

Problem	Solution
Television does not operate.	<ul style="list-style-type: none"> • Make sure the power cord is plugged in. • Try another AC outlet. • Power is off. Check fuse or circuit breaker. • Unplug television for an hour, then plug it back in.
Poor sound or no sound.	<ul style="list-style-type: none"> • Station or cable experiencing problems. Tune to another station. • Check sound adjustments (volume and mute). • Check for sources of possible interference.
Poor picture or no picture.	<ul style="list-style-type: none"> • Station or cable experiencing problems. Tune to another station. • Make sure channels are set into memory. • Check antenna or cable connections. Adjust the antenna. • Check for sources of possible interference. • Check picture control adjustments.
Poor reception on some channels.	<ul style="list-style-type: none"> • Station or cable experiencing problems. Tune to another station. • Make sure channels are set into memory. • Station is weak. Adjust the antenna to receive the desired station. • Check for sources of possible interference.
Poor color or no color.	<ul style="list-style-type: none"> • Station or cable experiencing problems. Tune to another station. • Make sure channels are set into memory. • Check picture control adjustments. • Check antenna or cable connections. Adjust the antenna. • Check for sources of possible interference.
Picture wobbles or drifts.	<ul style="list-style-type: none"> • Station or cable experiencing problems. Tune to another station. • Make sure channels are set into memory. • Cable company is scrambling signal. • Adjust antenna.
Digital broadcasting screen problem.	<ul style="list-style-type: none"> • Check digital signal strength.
No CATV reception.	<ul style="list-style-type: none"> • Check all cable connections. • Set TV/CABLE menu option to the CABLE mode. • Station or cable system problems. Try another station.
Horizontal or diagonal bars on screen.	<ul style="list-style-type: none"> • Check antenna connections. • Adjust or re-direct antenna. • Check for sources of possible interference.
No reception above channel 13.	<ul style="list-style-type: none"> • Make sure the TV/CABLE menu option is in the appropriate mode. • If using an antenna, check the UHF antenna connections.
No remote operation.	<ul style="list-style-type: none"> • Batteries are weak, dead, or inserted incorrectly. • Remote is out of range. Move closer to television (within 15 feet). • Make sure the remote is aimed at the sensor. • Confirm there are no obstructions between the remote and the television. • Make sure the power cord is plugged in.
Television shuts off.	<ul style="list-style-type: none"> • No broadcast on tuned station. • Sleep timer is set. • Power interrupted.
Closed Caption is not activated.	<ul style="list-style-type: none"> • Television station experiencing problems or program is not closed captioned. Try another channel. • Check cable connection or VHF/UHF antenna. Reposition or rotate antenna. • Set closed caption decoder in the menu.
Display is not shown in your language.	<ul style="list-style-type: none"> • Select correct language in the menu options.

Legal notices

Regulatory statements

Federal Communications Commission Radio Frequency Interference Statement

This equipment has been tested and found to comply with the limits for a Class B digital device, pursuant to Part 15 of the FCC Rules. These limits are designed to provide reasonable protection against harmful interference in a residential installation. This equipment generates, uses, and can radiate radio frequency energy and, if not installed and used in accordance with the instructions, may cause harmful interference to radio communications. However, there is no guarantee that interference will not occur in a particular installation. If this equipment does cause harmful interference to radio or television reception, which can be determined by turning the equipment off and on, the user is encouraged to try to correct the interference by one or more of the following measures:

- Reorient or relocate the receiving antenna.
- Increase the separation between the equipment and receiver.
- Connect the equipment to an outlet on a circuit different from that to which the receiver is connected.
- Consult the dealer or an experienced radio or television technician for help.

Caution: Any changes or modifications not expressly approved by the party responsible for compliance could void the user's authority to operate the equipment.

Canadian Notice

This Class B digital apparatus meets all requirements of the Canadian Interference-Causing Equipment Regulations.

Copyright

© 2007 Dynex. DYNEX and the DYNEX logo are trademarks of Best Buy Enterprise Services, Inc. Other brands and product names are trademarks or registered trademarks of their respective holders. Specifications and features are subject to change without notice or obligation. For service and support call (800) 305-2204.

90-Day Limited Warranty

Dynex Products ("Dynex") warrants to you, the original purchaser of this new **32" MTS Stereo Color Television with Digital Tuner** ("Product"), that the Product shall be free of defects in the original manufacture of the material or workmanship for a period of 90 days from the date of your purchase of the Product ("Warranty Period"). This Product must be purchased from an authorized dealer of Dynex brand products and packaged with this warranty statement. This warranty does not cover refurbished Product. If you notify Dynex during the Warranty Period of a defect covered by this warranty that requires service, terms of this warranty apply.

How long does the coverage last?

The Warranty Period lasts for 90 days from the date you purchased the Product. The purchase date is printed on the receipt you received with the product.

What does this warranty cover?

During the Warranty Period, if the original manufacture of the material or workmanship of the Product is determined to be defective by an authorized Dynex repair center or store personnel, Dynex will (at its sole option): (1) repair the Product with new or rebuilt parts; or (2) replace the Product at no charge with new or rebuilt comparable products or parts. Products and parts replaced under this warranty become the property of Dynex and are not returned to you. If service of Products and parts are required after the Warranty Period expires, you must pay all labor and parts charges. This warranty lasts as long as you own your Dynex Product during the Warranty Period. Warranty coverage terminates if you sell or otherwise transfer the Product.

How to obtain warranty service?

If you purchased the Product at a retail store location, take your original receipt and the Product to the store you purchased it from. Make sure that you place the Product in its original packaging or packaging that provides the same amount of protection as the original packaging. If you purchased the Product from an online web site, mail your original receipt and the Product to the address listed on the web site. Make sure that you put the Product in its original packaging or packaging that provides the same amount of protection as the original packaging.

To obtain in-home warranty service for a television with a screen 25 inches or larger, call 1-888-BESTBUY. Call agents will diagnose and correct the issue over the phone or will have a Dynex-approved repair person dispatched to your home.

Where is the warranty valid?

This warranty is valid only to the original purchaser of the Product in the United States and Canada.

What does the warranty not cover?

This warranty does not cover:

- Customer instruction
- Installation
- Set up adjustments
- Cosmetic damage
- Damage due to acts of God, such as lightning strikes
- Accident
- Misuse
- Abuse
- Negligence
- Commercial use
- Modification of any part of the Product
- Plasma display panel damaged by static (non-moving) images applied for lengthy periods (burn-in).

This warranty also does not cover:

- Damage due to incorrect operation or maintenance
- Connection to an incorrect voltage supply
- Attempted repair by anyone other than a facility authorized by Dynex to service the Product
- Products sold as is or with all faults
- Consumables, such as fuses or batteries
- Products where the factory applied serial number has been altered or removed

REPAIR REPLACEMENT AS PROVIDED UNDER THIS WARRANTY IS YOUR EXCLUSIVE REMEDY. DYNEX SHALL NOT BE LIABLE FOR ANY INCIDENTAL OR CONSEQUENTIAL DAMAGES FOR THE BREACH OF ANY EXPRESS OR IMPLIED WARRANTY ON THIS PRODUCT, INCLUDING, BUT NOT LIMITED TO, LOST DATA, LOSS OF USE OF YOUR PRODUCT, LOST BUSINESS OR LOST PROFITS. DYNEX PRODUCTS MAKES NO OTHER EXPRESS WARRANTIES WITH RESPECT TO THE PRODUCT, ALL EXPRESS AND IMPLIED WARRANTIES FOR THE PRODUCT, INCLUDING, BUT NOT LIMITED TO, ANY IMPLIED WARRANTIES OF AND CONDITIONS OF MERCHANTABILITY AND FITNESS FOR A PARTICULAR PURPOSE, ARE LIMITED IN DURATION TO THE WARRANTY PERIOD SET FORTH ABOVE AND NO WARRANTIES, WHETHER EXPRESS OR IMPLIED, WILL APPLY AFTER THE WARRANTY PERIOD. SOME STATES, PROVINCES AND JURISDICTIONS DO NOT ALLOW LIMITATIONS ON HOW LONG AN IMPLIED WARRANTY LASTS, SO THE ABOVE LIMITATION MAY NOT APPLY TO YOU. THIS WARRANTY GIVES YOU SPECIFIC LEGAL RIGHTS, AND YOU MAY ALSO HAVE OTHER RIGHTS, WHICH VARY FROM STATE TO STATE OR PROVINCE TO PROVINCE.

Contact Dynex:

For customer service please call 1-800-305-2204

www.dynexproducts.com

DYNEX® is a registered trademark of Best Buy Enterprise Services, Inc.

Distributed by Best Buy Purchasing, LLC.

Dynex, 7601 Penn Avenue South, Richfield, Minnesota, U.S.A.

Dynex DX-R32TV

Téléviseur couleur MTS de 32 po avec syntoniseur numérique

Table des matières

Instructions de sécurité importantes.....	19
Fonctionnalités	21
Installation du téléviseur	22
Fonctionnement du téléviseur	27
Spécifications	33
Problèmes et solution	33
Avis juridiques	34
Garantie	35

Instructions de sécurité importantes



Avertissement :

Afin de réduire le risque d'incendie et de choc électrique, ne pas exposer ce téléviseur à la pluie ou l'humidité.

	The lightning flash with arrowhead symbol, within an equilateral triangle is intended to alert the user to the presence of uninsulated dangerous voltage within the product's enclosure that may be of sufficient magnitude to constitute a risk of electric shock.
	The exclamation point within an equilateral triangle is intended to alert the user to the presence of important operating and maintenance (servicing) instructions in the literature accompanying the appliance.

Attention Tous changements ou modifications qui ne seraient pas expressément approuvés par les responsables de l'application des règles FCC pourraient rendre nul le droit de l'utilisateur d'utiliser cet équipement.

Attention Pour éviter les chocs électriques, ne pas utiliser la prise polarisée avec une prise de rallonge ou d'autres prises à moins que les plots ne s'y enfoncent entièrement.

Importantes mesures de sécurité

- Lire l'intégralité de ces instructions.
- Ces instructions doivent être conservées pour une utilisation ultérieure.

- Débrancher le téléviseur de la prise de courant avant tout nettoyage. Utiliser un chiffon sec pour le nettoyage. Ne pas utiliser de nettoyeurs liquides ou en aérosol.
- Pour écarter tous dangers, n'utiliser que des accessoires recommandés par le fabricant du téléviseur.
- Ne pas utiliser ce téléviseur à proximité de l'eau (baignoire, évier ou piscine).

- Ce téléviseur ne doit pas être placé sur une table, une étagère ou un chariot instables. Le téléviseur peut dans sa chute blesser sérieusement un enfant ou un adulte et être gravement endommagé.

Avertissement sur la table roulante (symbole fourni par RETAC)



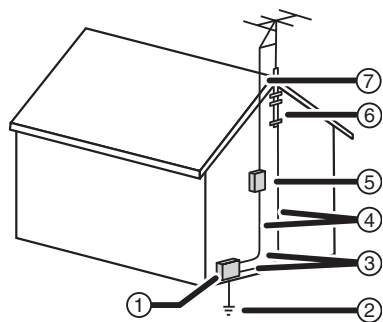
- Les fentes et ouvertures sur les côtés, au dos et au bas du boîtier sont prévues pour la ventilation, pour assurer un fonctionnement fiable du téléviseur et le protéger contre toute surchauffe.

Ces ouvertures ne doivent être ni bloquées ni obstruées. Elles ne doivent jamais être bloquées en installant le téléviseur sur un lit, un sofa, une moquette ou toute autre surface semblable. Ce téléviseur ne doit jamais être positionné à proximité ou sur un radiateur, ou une bouche de chauffage.

Il ne doit pas non plus être installé dans un meuble encastré tel qu'une bibliothèque, sauf si une ventilation adéquate est installée.

- Ce téléviseur doit fonctionner conformément à la source d'alimentation indiquée sur les étiquettes. En cas d'incertitude sur la tension d'alimentation de la maison, consulter le revendeur ou la compagnie d'électricité.
- Ce téléviseur est équipé d'une prise de courant CA polarisée (à deux plots, un plus large que l'autre). Cette fiche ne s'insère dans une prise secteur que d'une seule façon. Il s'agit d'un dispositif de sécurité. S'il est impossible d'introduire à fond la fiche dans la prise secteur, essayer de retourner la fiche. Si la fiche ne s'adapte toujours pas à la prise secteur, contacter un électricien afin qu'il remplace la prise inadéquate. Ne pas chercher à modifier le dispositif de sécurité de la prise polarisée.
- Le cordon d'alimentation de ce téléviseur ne doit pas se trouver dans un lieu de passage et aucun objet ne doit reposer dessus.
- Respecter tous les avertissements et instructions apposés sur le téléviseur.

- Si l'appareil est connecté à une antenne extérieure ou à un réseau câblé, s'assurer que l'antenne ou la connexion au réseau câblé est mise à la terre afin de bénéficier d'une certaine protection contre les sautes de courant et les charges électrostatiques. L'article 810 du Code national de l'électricité (CNE), ANSI/NFPA 70, fournit des informations relatives à la mise à la terre correcte du mât et du support, la mise à la terre du fil conducteur de l'antenne à l'unité de décharge de l'antenne, la taille des conducteurs de mise à la terre, l'emplacement de l'unité de décharge de l'antenne, la connexion aux conducteurs de terre ainsi que les normes en matière de prise de terre.



Référence	Composant de mise à la terre
1	Équipement de la compagnie d'électricité
2	Système de mise à la terre des électrodes de la compagnie d'électricité (CNE Art. 250, Section H)
3	Serre-fil de mise à la terre
4	Conducteurs de mise à la terre (CNE, Section 810-21)
5	Unité de décharge de l'antenne (CNE, Section 810-20)
6	Serre-fil de mise à la terre
7	Fil conducteur de l'antenne

- Utiliser des fils en cuivre n° 10 AWG (5,3 mm²), en aluminium n° 8 AWG (8,4 mm²), en acier cuivré ou en bronze n° 17 AWG (1 mm²) ou plus gros comme fils de terre.
- Raccorder le fil conducteur de l'antenne et les fils de terre à la maison au moyen d'isolateurs muraux espacés de 1,22 à 1,83 m (4 à 6 pi).
- Monter le fil conducteur de l'antenne aussi près que possible du point d'entrée de la maison.
- Utiliser un cavalier d'au moins la taille d'un fil de cuivre n° 6 AWG (13,3 mm²) ou équivalent lorsqu'un conducteur de terre d'antenne séparé est utilisé. Voir ANSI/NFPA70.
- L'antenne externe ne doit pas être située près de lignes électriques aériennes ni à un emplacement où elle pourrait tomber sur de tels circuits ou lignes électriques. Lors de l'installation d'une antenne externe, faire très attention de ne pas toucher de telles lignes électriques ou circuits car tout contact peut être mortel.
- Pour protéger le téléviseur pendant un orage ou s'il se trouve inutilisé et sans surveillance pendant de longues périodes, le débrancher de la prise secteur et débrancher l'antenne ou la connexion au réseau câblé. Ceci évitera d'endommager l'appareil en cas de foudre et de variations de tension du secteur.
- Les prises murales et les rallonges ne doivent pas être surchargées, ce qui pourrait provoquer des risques d'incendie ou de choc électrique.

- N'enfoncer en aucun cas un objet dans les ouvertures du boîtier du téléviseur qui pourrait entrer en contact avec des tensions dangereuses ou provoquer un court-circuit à l'origine d'un incendie ou d'un choc électrique. Ne jamais répandre un liquide sur le téléviseur.
- L'utilisateur ne doit pas essayer de réparer ce téléviseur lui-même, en effet son ouverture ou le démontage des couvercles peut l'exposer à des tensions dangereuses et à d'autres dangers. Toutes les réparations doivent être effectuées par du personnel qualifié.
- Débrancher ce téléviseur de la prise secteur et utiliser les services d'un technicien qualifié dans les conditions suivantes :
 - Lorsque le cordon d'alimentation est effiloché ou la prise endommagée.
 - Si un liquide a été répandu sur le téléviseur.
 - Si le téléviseur a été exposé à la pluie ou à l'eau.
 - Si le téléviseur fonctionne anormalement en appliquant les instructions d'utilisation. Ne régler que les commandes décrites dans les instructions d'utilisation; en effet, un réglage incorrect d'autres commandes pourrait provoquer des détériorations entraînant souvent d'importantes réparations par un technicien qualifié afin de rétablir un fonctionnement normal.
 - Si le téléviseur est tombé ou si le boîtier a été endommagé.
 - En cas de détérioration marquée des performances du téléviseur.
- Si des pièces doivent être remplacées, vérifier que le technicien a utilisé des pièces spécifiées par le fabricant ayant les mêmes caractéristiques que celles d'origine. Toute substitution par des pièces non autorisées peut provoquer un incendie, un choc électrique ou d'autres dangers.
- Les réparations ou la maintenance ayant été effectuées, demander au technicien de réaliser les contrôles de sécurité de routine afin de déterminer que ce téléviseur peut fonctionner sans danger.

Avis à l'installateur de TV câblée

Le présent avis a pour objet de rappeler à l'installateur de systèmes de câblodistribution que l'article 820.40 du Code national de l'électricité (CNE) contient des recommandations relatives à la mise à la terre de l'appareil et, en particulier, stipule que la masse du câble doit être connectée au système de mise à la terre de l'immeuble, aussi près que possible du point d'entrée du câble.

Fonctionnalités

- **Une image de haute qualité** – La résolution horizontale de plus de 500 lignes dépasse celle du Super VHS (400 lignes) ou du disque laser (430 lignes).
- Compatible avec une large gamme de sorties audio.
- **Sintoniseur numérique intégré** – Il est possible de visualiser des émissions numériques sans utiliser un décodeur de TV numérique.
- **Décodeur de sous-titres avec mode plein texte** – Affiche des sous-titres codés ou du texte sur la totalité de l'écran pour les téléspectateurs malentendants.
- **Réglages de l'image à l'aide de la télécommande** – L'affichage à l'écran permet un réglage précis au moyen de la télécommande de la luminosité, du contraste, de la couleur, de la teinte et de la netteté.
- **Arrêt différé programmable du téléviseur** – À partir de la télécommande, il est possible de programmer le téléviseur pour qu'il s'éteigne automatiquement après une période maximale de 120 minutes.
- **Puce antiviolence (V-Chip)** – La puce antiviolence peut lire la classification d'une émission TV ou d'un film si l'émission concernée est encodée avec cette information. La puce antiviolence permet à l'utilisateur de définir un niveau de restrictions.
- **Réception stéréoSAP** – Le téléviseur est conçu pour recevoir des émissions diffusées en stéréo et avec une deuxième trame sonore (SAP), si disponibles.
- **Prises S-Vidéo/vidéo à composantes** – Il est possible de brancher à cet appareil un magnétoscope, un lecteur de DVD, un récepteur satellite ou une autre composante audio-vidéo.
- **Prises d'entrée vidéo** – Ce téléviseur est équipé de trois types de prises d'entrée vidéo. Les prises d'entrée vidéo à composantes et la prise d'entrée S-Vidéo permettent de regarder le lecteur de DVD ou les périphériques vidéo avec une image de haute qualité.
- **Affichage à l'écran en 3 langues** – La programmation à l'écran peut s'effectuer en anglais, en espagnol ou en français.

* Fabriqué sous licence de Dolby Laboratories. « Dolby » et le symbole à double D sont des marques de commerce de Dolby Laboratories.

Contenu du carton d'expédition

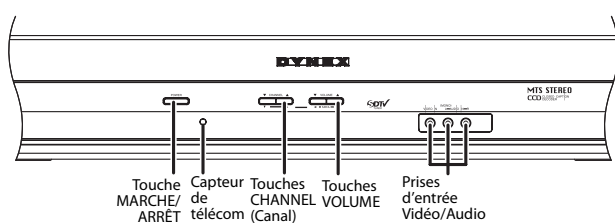
Vérification du contenu du carton d'expédition :

- Téléviseur couleur
- Télécommande
- Piles de type AAA (2)
- Guide de l'utilisateur

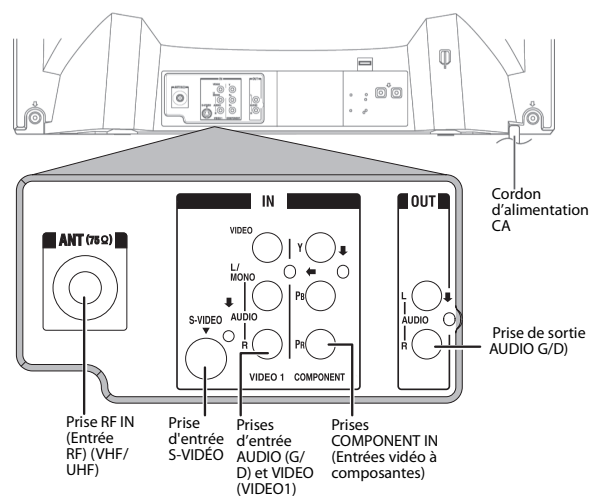
Si l'un des éléments manque, contacter Dynex immédiatement. Conserver la boîte et le matériel d'emballage afin de pouvoir ranger ou transporter le téléviseur.

Pièces et fonctionnalités

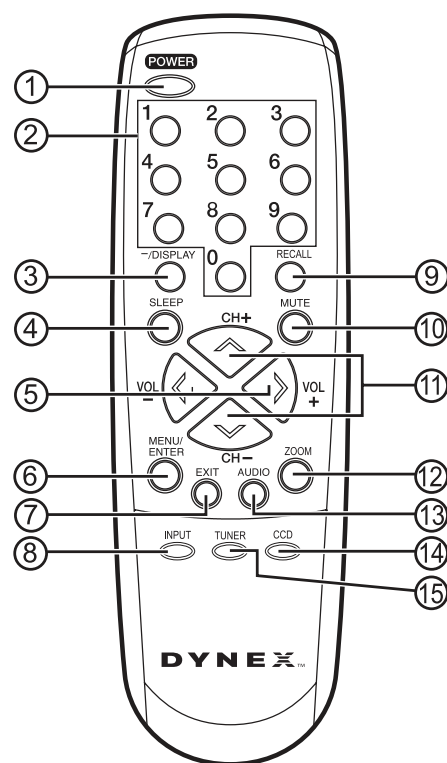
Face avant



Face arrière



Télécommande



N°	Touche	Description
1	MARCHE/ARRÊT	Permet de mettre l'appareil sous tension. Appuyer de nouveau sur cette touche pour mettre l'appareil hors tension.
2	Sélection directe des canaux (0-9)	Pour se rendre directement à un canal quelconque.

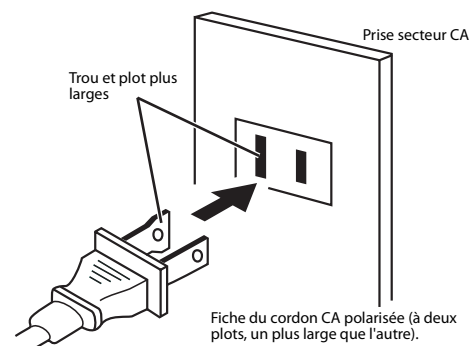
N°	Touche	Description
3	-/AFFICHAGE	Lorsque le téléviseur reçoit un signal analogique, appuyer sur cette touche pour afficher les informations afférentes. Lorsque le téléviseur reçoit un signal numérique, appuyer une fois sur cette touche pour afficher les données numériques afférentes. Appuyer une deuxième fois sur cette touche pour afficher les données analogiques. Pour annuler cet affichage, appuyer de nouveau de cette touche. Cette touche est également la touche - utilisée pour la sélection de canaux numériques.
4	ARRÊT DIFFÉRÉ	Pour que le téléviseur s'éteigne après une durée déterminée, appuyer sur SLEEP (Arrêt différé). L'horloge compte 10 minutes maximum chaque fois que la touche est appuyée selon la séquence 0, 10, 20... 100, 110, 120 minutes. Quand l'arrêt différé a été programmé, l'affichage disparaît puis réapparaît brièvement toutes les dix minutes pour rappeler que le temporisateur d'arrêt différé fonctionne. Pour confirmer le réglage de l'arrêt différé, appuyer sur SLEEP (Arrêt différé) et le temps restant s'affiche brièvement à l'écran. Pour annuler l'arrêt différé, appuyer de façon répétée sur SLEEP (Arrêt différé) jusqu'à l'affichage de 0.
5	VOL + / -	Appuyer sur + pour augmenter le volume sonore. Appuyer sur - pour diminuer le volume sonore. Utiliser ces touches pour sélectionner le réglage souhaité dans les menus d'écran.
6	MENU/ENTRÉE	Pour afficher la fonction de menu d'écran. Appuyer sur cette touche pour saisir ou sélectionner des opérations lorsque le menu d'écran est affiché.
7	QUITTER	Pour effacer le menu d'écran.
8	ENTRÉE	Appuyer sur cette touche pour afficher le menu SOURCE SELECTION (Sélection source) et sélectionner la source d'entrée vidéo.
9	RAPPEL	Appuyer sur cette touche pour retourner au canal syntonisé précédemment. Appuyer de nouveau sur cette touche pour retourner au canal antérieur.
10	SOURDINE	Appuyer une fois sur cette touche pour supprimer le son. Le téléviseur est mis en sourdine et le symbole MUTE s'affiche à l'écran. La fonction de mise en sourdine peut être désactivée en appuyant de nouveau sur MUTE ou sur VOL + ou -.

N°	Touche	Description
11	CH + / -	Appuyer sur CH + (haut) pour passer à un canal mémorisé sous un numéro supérieur. Appuyer sur CH - (bas) pour passer à un canal mémorisé sous un numéro inférieur. Utiliser cette touche pour sélectionner le réglage souhaité lors de l'affichage du menu.
12	ZOOM	Appuyer sur cette touche pour modifier la taille de l'image.
13	AUDIO	Appuyer sur cette touche pour sélectionner le son souhaité.
14	SOUS-TITRES CODÉS	Permet d'afficher le menu CLOSED CAPTION (Sous-titres codés).
15	SYNTONISEUR	Appuyer sur cette touche pour sélectionner le mode analogique/numérique.

Installation du téléviseur

Connexion du téléviseur à l'alimentation CA

Utiliser le cordon CA polarisé fourni pour le fonctionnement sur le courant secteur CA. Insérer la fiche du cordon d'alimentation CA dans une prise secteur CA polarisée standard de 120 V 60 Hz.



Remarques :

Ne jamais connecter la fiche du cordon CA à une tension autre que celle spécifiée (120 V 60 Hz). N'utiliser que le cordon d'alimentation fourni.

Si la fiche CA polarisée n'entre pas dans une prise secteur CA non polarisée, ne pas limer ou sectionner le plot large. Il incombe à l'utilisateur de faire remplacer la prise secteur obsolète par un électricien.

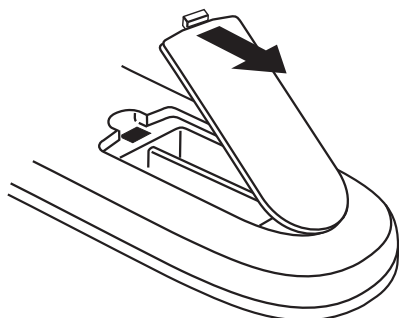
Si une décharge d'électricité statique se produit quand le téléviseur est touché et que celui-ci cesse de fonctionner, débrancher le téléviseur de la prise secteur CA, puis le rebrancher. Il devrait alors fonctionner normalement.

Installation des piles dans la télécommande

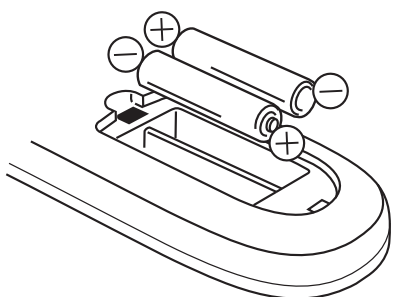
Les piles doivent être installées dans la télécommande pour pouvoir l'utiliser. Utiliser deux piles de taille AAA. Les piles durent environ un an en fonction de la fréquence d'utilisation de la télécommande. Pour un fonctionnement optimal, il est recommandé de remplacer les piles annuellement ou quand le fonctionnement de la télécommande devient intermittent. Ne pas mélanger des piles neuves avec des anciennes ou de types différents.

Pour installer les piles dans la télécommande :

- 1 Ouvrir le couvercle du compartiment des piles.



- 2 Installer deux piles de type AAA.



- 3 Replacer le couvercle du compartiment des piles.

Précautions relatives aux piles

Observer ces précautions pour l'utilisation des piles avec la télécommande :

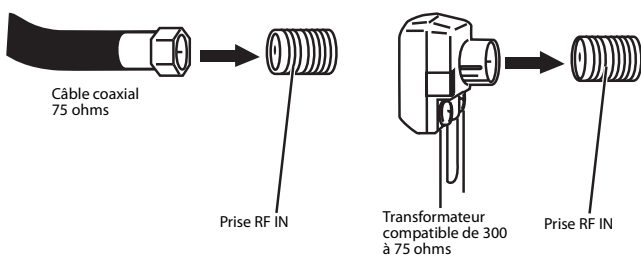
- N'utiliser que la taille et le type de piles spécifiés.
- Veiller à respecter la polarité correcte indiquée dans le compartiment des piles lors de leur installation. L'inversion accidentelle des piles peut endommager l'appareil.
- Ne pas mélanger différents types de pile (alcalines ou au carbone-zinc par exemple) ni des piles usagées avec des piles neuves.
- Si la télécommande ne va pas être utilisée pendant une période prolongée, retirer les piles afin d'éviter tout épanchement d'acide éventuel pouvant provoquer des dommages ou des blessures.
- Ne pas essayer de recharger des piles qui ne sont pas conçues pour cela. Elles peuvent surchauffer et exploser (respecter les instructions du fabricant des piles).

Raccordement à une antenne

Au départ de l'usine, l'option de menu TV/CÂBLE est réglée sur le mode **CÂBLE** (Télévision par câble). Si l'appareil n'est pas raccordé à la télévision par câble, régler cette option de menu sur **TV**.

Pour utiliser une antenne intérieure ou extérieure, suivre les instructions correspondant au système d'antenne. Pour utiliser un service de télévision par câble, voir "Connecting to cable television" on page 6.

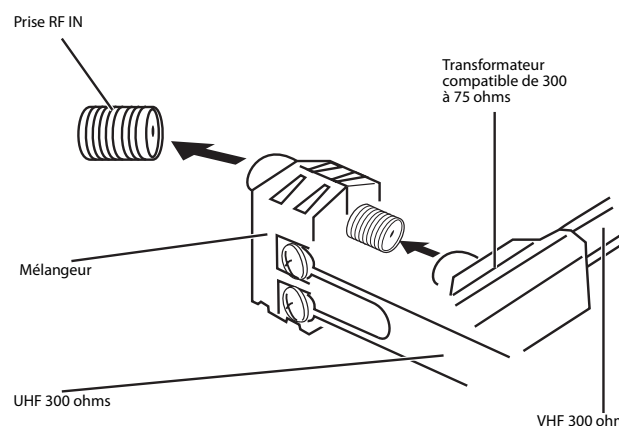
Antenne combinée VHF/UHF (câble unique de 75 ohms ou ligne bifilaire de 300 ohms)



Connexion d'une antenne combinée VHF/UHF avec une ligne bifilaire :

- 1 Connecter le câble de 75 ohms de l'antenne combinée VHF/UHF à la prise RF IN.
- 2 Si l'antenne combinée VHF/UHF a une ligne bifilaire de 300 ohms, l'utilisation d'un transformateur compatible de 300 à 75 ohms peut être nécessaire.

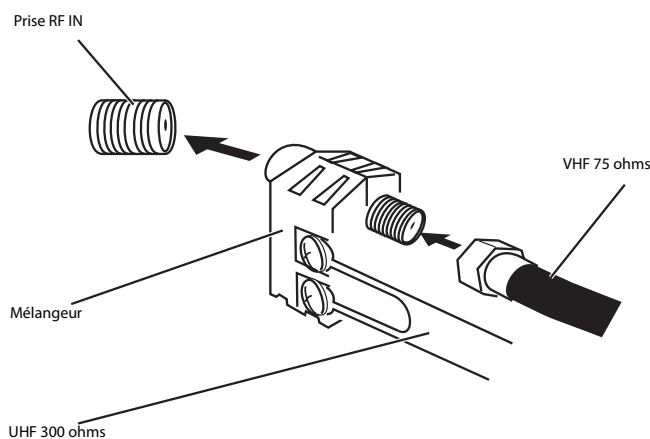
Antenne combinée VHF/UHF (VHF et UHF séparés avec lignes bifilaires de 300 ohms)



Connexion d'une antenne combinée VHF/UHF avec des lignes séparées :

- 1 Connecter la ligne bifilaire UHF de 300 ohms au mélangeur (non fourni).
- 2 Connecter la ligne bifilaire VHF de 300 ohms à un transformateur compatible de 300 à 75 ohms.
- 3 Relier le transformateur au mélangeur, puis relier le mélangeur à la prise RF IN.

Antennes séparées VHF/UHF (câble VHF de 75 ohms et ligne bifilaire UHF de 300 ohms)



Connexion d'antennes VHF/UHF séparées :

- 1 Connecter le câble VHF de 75 ohms et la ligne bifilaire UHF de 300 ohms au mélangeur.
- 2 Relier le mélangeur à la prise RF IN.

Raccordement à un système de câblodistribution

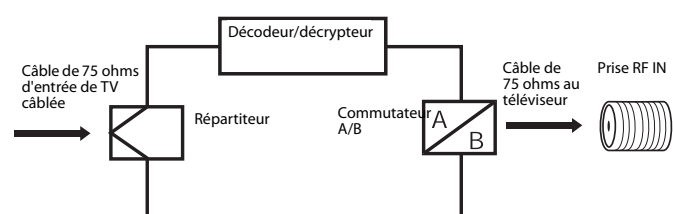
Ce téléviseur est doté d'une gamme de syntonisation étendue, qui lui permet de syntoniser la majorité des canaux câblés sans utiliser un décodeur de TV câblée. Certains câblo-opérateurs proposent des *canaux par abonnement* pour lesquels le signal est brouillé. Le décodage de ces signaux pour une visualisation normale nécessite l'utilisation d'un décodeur qui est en général fourni par le câblo-opérateur.

Pour les abonnés au service de TV câblée de base

Pour le service de base ne nécessitant pas de décodeur/décodeur, connecter le câble coaxial de 75 ohms directement à la prise RF IN à l'arrière du téléviseur.

Pour les abonnés au service de TV câblée cryptée**Connexion du téléviseur à un système de câblodistribution :**

- 1 En cas d'abonnement à un service de TV câblée qui nécessite l'utilisation d'un décodeur/décodeur, connecter le câble coaxial de 75 ohms à l'entrée au décodeur/décodeur.
- 2 Avec un autre câble coaxial de 75 ohms, connecter la prise de sortie du décodeur/décodeur à la prise RF IN du téléviseur. Se reporter aux connexions illustrées ci-dessus.
- 3 Régler le téléviseur sur le canal de sortie du décodeur/décodeur (3 ou 4 habituellement) et utiliser le décodeur/décodeur pour sélectionner les canaux.

Pour les abonnés au service câblé de base en clair avec canaux par souscription

En cas d'abonnement à un service de TV câblée dans lequel les canaux de base sont en clair et les canaux par souscription nécessitent un décodeur/décodeur, il peut être judicieux d'utiliser un répartiteur et un commutateur A/B (disponible auprès du câblo-opérateur ou d'un magasin d'accessoires électroniques). Se reporter aux connexions illustrées ci-dessus.

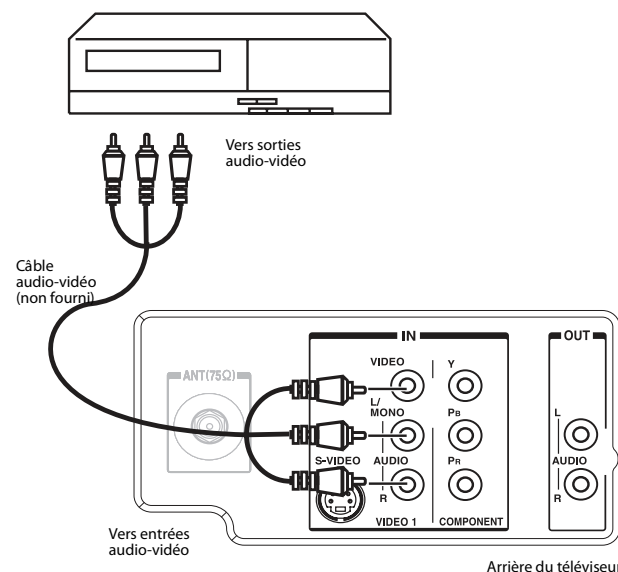
Avec le commutateur en position **B**, il est possible d'accéder directement aux canaux non cryptés du téléviseur. Avec le commutateur en position **A**, régler le téléviseur sur le signal du décodeur/décodeur (canal 3 ou 4 habituellement) et utiliser alors le décodeur/décodeur pour syntoniser les canaux cryptés.

Connexions à d'autres équipements

La configuration exacte à utiliser pour connecter divers composants vidéo et audio au téléviseur dépend du modèle et des fonctions de chaque composant. Consulter le manuel du propriétaire fourni avec chaque composant pour localiser les entrées et sorties vidéo et audio. Les schémas de connexion suivants sont offerts à titre de suggestions. Il pourra être nécessaire de les modifier pour répondre aux besoins d'une sélection particulière de composants. Les schémas sont destinés à illustrer uniquement les connexions audio et vidéo à composantes.

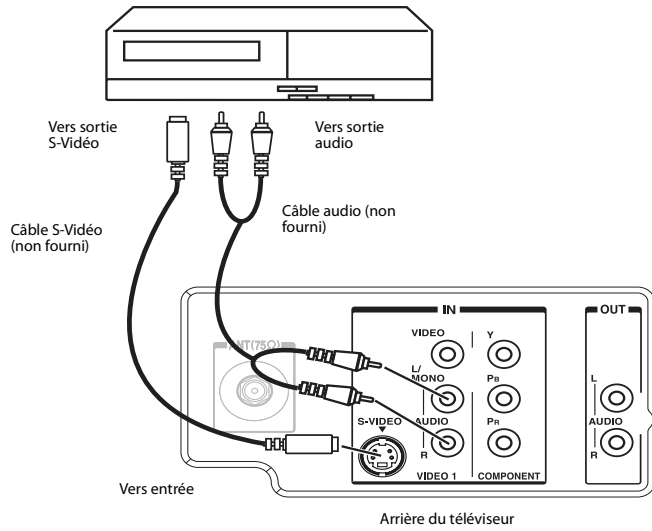
Sélection de la source d'entrée vidéo :

- 1 Appuyer sur **INPUT** (Entrée) pour afficher un signal provenant d'un autre périphérique connecté au téléviseur, tel qu'un magnétoscope ou un lecteur de DVD. Les sélections possibles sont ANT, VIDEO1, VIDEO2 (sur le panneau avant) ou COMPONENT (Vidéo à composantes), suivant les prises d'entrée utilisées pour connecter les périphériques.
- 2 Appuyer sur **INPUT** (Entrée) de la télécommande pour afficher la source vidéo actuelle. Appuyer sur **CH +/-** ou sur les touches numériques 0 à 4 pour sélectionner le mode souhaité.

Connexion du téléviseur à un magnétoscope

Connexion du téléviseur à un magnétoSCOPE avec un câble S-Vidéo

Pour connecter un magnétoSCOPE avec un câble S-Vidéo à la prise S-VIDEO IN (entrée S-Vidéo) au dos du téléviseur, il faut aussi connecter les câbles audio aux prises AUDIO IN (entrée Audio) au dos du téléviseur. Le câble S-Vidéo transporte uniquement le signal vidéo. Le signal audio est séparé.

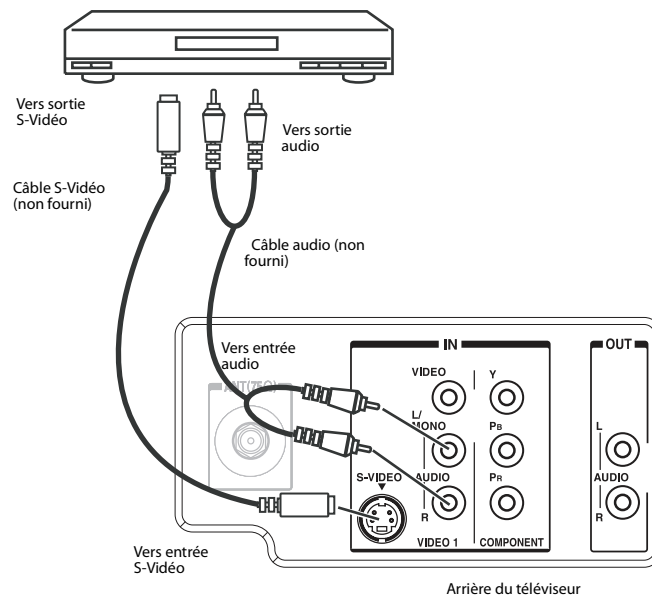


Remarque :

En cas de connexion simultanée du câble S-vidéo et du câble vidéo à leurs prises respectives, le câble S-vidéo prend la priorité sur le câble vidéo.

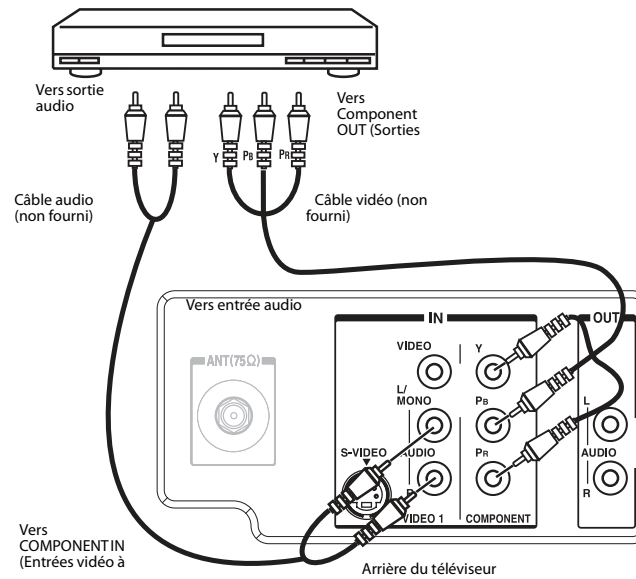
Connexion du téléviseur à un lecteur de DVD ou à un récepteur satellite

Si le lecteur de DVD ou le récepteur satellite comporte une prise de sortie S-vidéo, connecter les câbles comme indiqué.



Connexion du téléviseur à un lecteur de DVD avec vidéo à composantes

Si le lecteur de DVD comporte des prises de sortie vidéo à composantes, connecter le téléviseur à un lecteur de DVD à l'aide d'un câble vidéo à composantes. Cela peut améliorer considérablement la qualité de l'image et les performances de l'appareil.

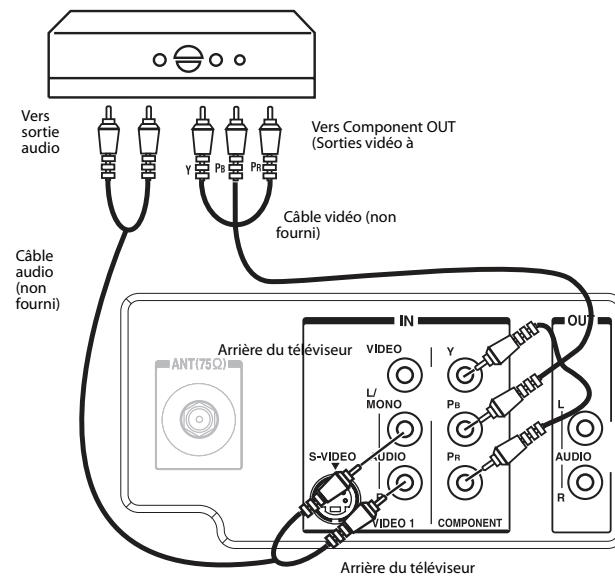


Remarque :

Ce téléviseur n'affiche que des signaux entrelacés 480i lorsqu'il est connecté un dispositif numérique avec sortie vidéo à composantes. Si un signal de 480p, 720p ou 1080i est transmis aux entrées vidéo à composantes, **COMPONENT** (Composantes) s'affiche sur un écran noir. Si **COMPONENT** s'affiche, régler la sortie numérique du dispositif sur 480i.

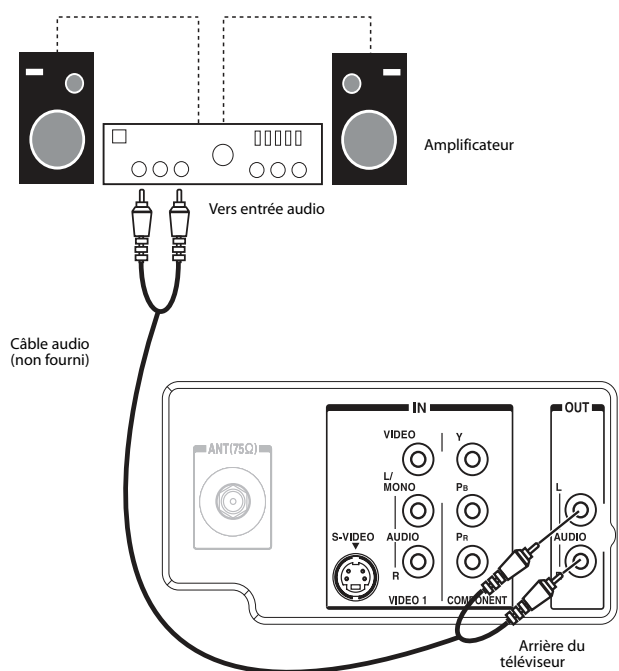
Connexion du téléviseur à un récepteur /décodeur DTV

Pour connecter un récepteur/décodeur DTV, le relier au téléviseur à l'aide d'un câble vidéo à composantes.



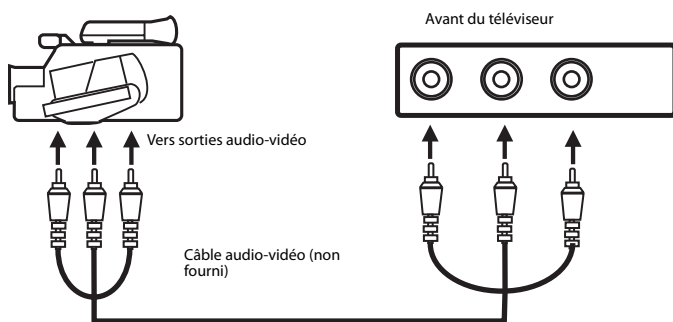
Connexion du téléviseur à un amplificateur AV

La configuration exacte à utiliser pour connecter divers composants vidéo et audio au téléviseur dépend du modèle et des fonctions de chaque composant. Consulter le manuel du propriétaire fourni avec chaque composant pour localiser les entrées et sorties vidéo et audio.



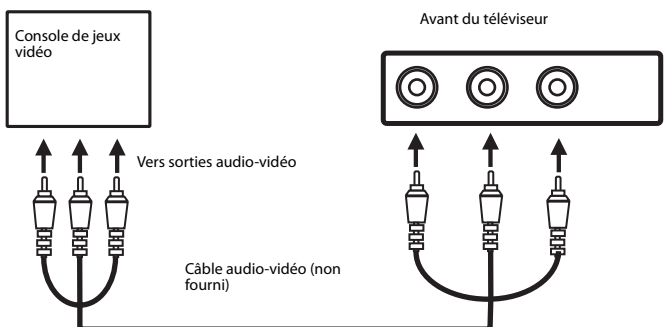
Connexion du téléviseur à un caméscope

Pour lire à partir d'un caméscope, connecter celui-ci au téléviseur comme illustré.



Connexion du téléviseur à une console de jeux vidéo

Le téléviseur peut être utilisé en tant qu'écran d'affichage pour de nombreux jeux vidéo. Cependant, compte tenu du large éventail de signaux générés par ces dispositifs et des variations de connexion requises, ceux-ci n'ont pas tous été inclus dans les schémas de connexion suggérés. Consulter le manuel du propriétaire de chaque composant pour de plus amples informations.



Utilisation du menu

Pour accéder au menu à l'aide des commandes du téléviseur :

- Appuyer simultanément sur **CH ▲** et **CH ▼**. Le menu d'écran s'affiche.

Pour accéder au menu à l'aide de la télécommande :

- Appuyer sur **MENU/ENTER** (Menu/Entrée). Le menu d'écran s'affiche.

Pour sélectionner un paramètre à l'aide des commandes du téléviseur :

- Utiliser **CH ▲** et **CH ▼** ainsi que **VOL ▲** et **VOL ▼**.

Pour sélectionner un paramètre à l'aide de la télécommande :

- Utiliser **CH +** et **CH -** et **VOL +** et **VOL -**.

Paramétrage de la langue

Sélectionner l'une des trois langues disponibles (anglais, français et espagnol) pour l'affichage à l'écran.

Pour sélectionner la langue du menu :

- 1 Appuyer sur **MENU/ENTER** (Menu/Entrée). Le menu d'écran s'affiche.

Remarque :

Si aucun bouton n'est appuyé pendant plus de 60 secondes, le menu d'écran cède la place automatiquement à l'écran de télévision normal.

- 2 Appuyer sur **VOL +** et **VOL -** pour sélectionner le menu **SETUP** (Configuration).
- 3 Appuyer sur **CH +** et **CH -** pour sélectionner **LANGUAGE** (Langue), puis appuyer sur **VOL +**.
- 4 Appuyer sur **VOL +** et **VOL -** pour sélectionner la langue souhaitée :
 - **English (ANGLAIS)**,
 - **French (FRANÇAIS)** ou
 - **Spanish (ESPAÑOL)**.
- 5 Appuyer sur **EXIT** (Quitter) pour revenir à l'écran normal.

Mémorisation des canaux

Ce téléviseur est équipé d'un dispositif de mémorisation des canaux qui permet de passer aux canaux suivants ou précédents en mémoire en sautant les canaux non souhaités. Les canaux doivent être mémorisés dans la mémoire du téléviseur avant de pouvoir sélectionner un canal particulier.

Pour utiliser le téléviseur avec une antenne, régler l'option de menu **TV/CABLE** sur le mode **TV**. Au départ de l'usine, cette option de menu est préréglée sur le mode **CABLE**.

Sélection de TV ou Câble

Pour sélectionner le mode TV ou le mode Câble :

- 1 Appuyer sur **MENU/ENTER** (Menu/Entrée). Le menu d'écran s'affiche.
- 2 Appuyer sur **VOL +** et **VOL -** pour sélectionner le menu **SETUP** (Configuration).
- 3 Appuyer sur **CH +** et **CH -** pour sélectionner **TV/CABLE**.
- 4 Appuyer sur **VOL +** et **VOL -** pour sélectionner **TV** ou **CABLE** (Câble).

- **TV** – Canaux VHF/UHF
- **CABLE** – Canaux de câblodistribution

- 5 Appuyer sur **EXIT** (Quitter) pour revenir à l'écran normal.

Remarque :

Quelques secondes peuvent être nécessaires pour que l'image d'un canal numérique apparaisse à l'écran après avoir été sélectionné.

Tableau de câblodistribution

Le tableau suivant récapitule l'agencement typique des canaux de nombreux systèmes de câblodistribution. Le chiffre en haut est celui apparaissant sur l'écran de TV. Le chiffre ou la lettre en bas est le canal de câblodistribution correspondant.

													14	15	16	17	18	19	20	21	22
													A	B	C	D	E	F	G	H	I
23	24	25	26	27	28	29	30	31	32	33	34	35	36	37	38	39	40				
J	K	L	M	N	O	P	Q	R	S	T	U	V	W	AA	BB	CC	DD				
41	42	43	44	45	46	47	48	49	50	51	52	53	54	55	56	57	58				
EE	FF	GG	HH	II	JJ	KK	LL	MM	NN	OO	PP	QQ	RR	SS	TT	UU	VV				
59	60	61	62	63	64	65	66	67	68	69	70	71	72	73	74	75	76				
WW	AA	BB	CC	DD	EE	FF	GG	HH	II	JJ	KK	LL	MM	NN	OO	PP	QQ				
77	78	79	80	81	82	83	84	85	86	87	88	89	90	91	92	93	94				
RRR	SSS	TTT	UUU	VVV	WWW	XXX	YYY	ZZZ	86	87	88	89	90	91	92	93	94				
95	96	97	98	99	100	101	102	103	104	105	106	107	108	109	110	111	112				
A-5	A-4	A-3	A-2	A-1	100	101	102	103	104	105	106	107	108	109	110	111	112				
113	114	115	116	117	118	119	120	121	122	123	124	125	01								
113	114	115	116	117	118	119	120	121	122	123	124	125	5A								

Syntonisation automatique en mémoire

Il est préférable d'accomplir la mémorisation des canaux au cours des heures d'audience maximale, étant donné que davantage de canaux diffusent alors des signaux numériques. La mémorisation des canaux peut seulement être réalisée lorsqu'une station diffuse un signal numérique pour mettre le canal en mémoire.

En cas d'incertitude quant aux canaux numériques disponibles localement, visiter le site www.antennaweb.org pour obtenir une liste à partir d'une adresse ou d'un code postal.

Pour la mémorisation automatique des canaux :

- 1 Appuyer sur **MENU/ENTER** (Menu/Entrée). Le menu d'écran s'affiche.
- 2 Appuyer sur **VOL +** et **VOL -** pour sélectionner le menu **SETUP** (Configuration) puis sur **CH +** et **CH -** pour sélectionner **AUTO CH MEMORY** (Mise en mémoire automatique des canaux).
- 3 Appuyer sur **VOL +**. L'appareil commence à mémoriser tous les canaux disponibles localement.

Une fois la syntonisation analogique terminée, la syntonisation numérique commence automatiquement. La mémorisation complète des canaux de câblodistribution numérique peut prendre de 15 à 30 minutes, en fonction des conditions de réception. Suivant les conditions de réception, il est possible que la barre affichée n'indique aucune progression pendant plusieurs minutes.

Remarque :

*Des canaux supplémentaires sont ajoutés parfois à la liste. Effectuer la procédure **AUTO CH MEMORY** périodiquement.*

Ajout et suppression de canaux**Pour ajouter ou supprimer des canaux analogiques :**

- 1 Appuyer sur **TUNER** (Syntoniseur) pour sélectionner le mode analogique.
- 2 Appuyer sur **MENU/ENTER** (Menu/Entrée). Le menu d'écran s'affiche.
- 3 Appuyer sur **VOL +** et **VOL -** pour sélectionner le menu **OPTION** puis sur **CH +** et **CH -** pour sélectionner **ADD/DELETE** (Ajouter/Supprimer).
- 4 Appuyer sur **VOL +**. Le menu **ADD/DELETE** (Ajouter/Supprimer) s'affiche sur l'écran.
- 5 Sélectionner le canal souhaité à mémoriser ou à supprimer à l'aide de **CH +** et **CH -**.
- 6 Appuyer sur **VOL +** et **VOL -** pour sélectionner **ADD** (Ajouter) ou **DELETE** (Supprimer).
- 7 Répéter l'étape 5-6 pour les autres canaux à ajouter ou à supprimer.
- 8 Appuyer sur **EXIT** (Quitter) pour revenir à l'écran normal.

Pour ajouter ou supprimer des canaux numériques :

- 1 Appuyer sur **TUNER** (Syntoniseur) pour sélectionner le mode numérique.
- 2 Appuyer sur **MENU/ENTER** (Menu/Entrée). Le menu d'écran s'affiche.
- 3 Appuyer sur **VOL +** et **VOL -** pour sélectionner le menu **OPTION**, puis sur **CH +** et **CH -** pour sélectionner **DIGITAL SETUP** (Configuration numérique).
- 4 Appuyer sur **VOL +**. Le menu **DIGITAL SETUP** (Configuration numérique) s'affiche.
- 5 Appuyer sur **CH +** et **CH -** pour sélectionner **ADD/DELETE** (Ajouter/Supprimer), puis appuyer sur **VOL +**. Le menu **ADD/DELETE (DTV)** (Ajouter/Supprimer [TVN]) s'affiche.
- 6 Appuyer sur **CH +** et **CH -** pour sélectionner **ADD/DELETE** (Ajouter/Supprimer), puis appuyer sur **VOL +**.
- 7 Sélectionner le canal souhaité à mémoriser ou à supprimer à l'aide de **CH +** et **CH -**.
- 8 Appuyer sur **VOL +** et **VOL -** pour sélectionner **ADD** (Ajouter) ou **DELETE** (Supprimer).
- 9 Répéter les étapes 6 à 8 pour les autres canaux à ajouter ou à supprimer, puis appuyer sur **MENU/ENTER** (Menu/Entrée).
- 10 Appuyer sur **MENU/ENTER** (Menu/Entrée) pour revenir à l'écran normal.

Pour ajouter un canal numérique en cours de visionnement :

- 1 Appuyer sur **TUNER** (Syntoniseur) pour sélectionner le mode numérique. Utiliser les touches numériques pour sélectionner directement le canal numérique à ajouter.
- 2 Appuyer sur **MENU/ENTER** (Menu/Entrée). Le menu d'écran s'affiche.
- 3 Appuyer sur **VOL +** et **VOL -** pour sélectionner le menu **OPTION**, puis sur **CH +** et **CH -** pour sélectionner **DIGITAL SETUP** (Configuration numérique).
- 4 Appuyer sur **VOL -**. Le menu **DIGITAL SETUP** (Configuration numérique) s'affiche.
- 5 Appuyer sur **CH +** et **CH -** pour sélectionner **ADD/DELETE** (Ajouter/Supprimer), puis sur **VOL -**. Le menu **ADD/DELETE (DTV)** (Ajouter/Supprimer [TVN]) s'affiche.
- 6 Appuyer sur **CH +** et **CH -** pour sélectionner **ADDING CHANNEL** (Ajout de canaux), puis sur **VOL +**.
- 7 Appuyer sur **MENU/ENTER** (Menu/Entrée) pour revenir à l'écran normal.
- 8 Répéter les étapes 1 à 7 pour les autres canaux à ajouter ou à supprimer.

Fonctionnement du téléviseur*Remarques :*

Si le canal sélectionné ne diffuse aucune émission, le son est automatiquement mis en sourdine.

Si le canal sélectionné arrête de diffuser, le téléviseur s'arrête automatiquement après 15 minutes.

Pour utiliser le téléviseur :

- 1 Appuyer sur **POWER** (Marche/Arrêt) pour mettre l'appareil sous tension.
- 2 Régler le volume en appuyant sur les touches **VOL ▲** et **VOL ▼** du téléviseur ou **VOL +** et **VOL -** de la télécommande. Le volume sonore est indiqué à l'écran par des barres vertes. Lorsque le volume sonore augmente, le nombre de barres augmente. Si le volume diminue, le nombre de barres vertes diminue également.

- 3 Mettre l'option de menu **TV/CABLE** dans la position appropriée (voir "Selecting TV or cable" on page 9).
- 4 Appuyer sur les touches de sélection directe des canaux pour sélectionner le canal souhaité.

Sélection des canaux analogiques

Lorsque l'option de menu TV/CABLE est réglée sur **TV**, il est possible de sélectionner n'importe quel canal en appuyant sur deux touches. Par exemple, pour sélectionner le canal 2, appuyer sur **0**, puis sur **2**. En appuyant seulement sur **2**, la sélection du canal est différée de quelques secondes. Pour le canal 10 et les canaux supérieurs, appuyer sur les deux chiffres dans l'ordre.

Lorsque le menu d'option TV/CABLE est réglé sur **CABLE**, il est possible de sélectionner les canaux de la façon suivante :

Canaux	Appuyer
1-9	Appuyer deux fois sur « 0 », puis sur 1 à 9 selon le besoin. Exemple : pour sélectionner le canal 2, appuyer sur 0 0 2.
10-12	Appuyer sur « 0 » puis sur les deux derniers chiffres. Par exemple, pour sélectionner le canal 12, appuyer sur 0 1 2.
13-99	Appuyer sur les 2 chiffres dans l'ordre. Par exemple, pour sélectionner le canal 36, appuyer sur 3 6.
100-125	Appuyer sur les 3 chiffres dans l'ordre. Par exemple, pour sélectionner le canal 120, appuyer sur 1 2 0.

Sélection de canaux numériques

Pour sélectionner des canaux numériques, appuyer dans l'ordre sur les chiffres constituant le numéro du canal.

Lorsque le numéro du canal contient –, appuyer sur les trois premiers chiffres, puis appuyer sur **–/DISPLAY**, puis sur les trois derniers chiffres. Par exemple, pour sélectionner le canal 015-001, appuyer sur **0 1 5 – 0 0 1**.

Noter ce qui suit :

- Si le canal sélectionné comporte uniquement un signal audio, « AUDIO ONLY » (Audio uniquement) s'affiche à l'écran.
- Si le canal sélectionné a un faible signal numérique, « DIGITAL CHANNEL SIGNAL STRENGTH IS LOW » (La puissance du signal du canal numérique est faible) s'affiche à l'écran.
- Si le canal numérique a le même canal analogique, il est possible de regarder le même canal en analogique.
- Si le canal sélectionné exige un abonnement auquel l'utilisateur n'a pas souscrit, « DIGITAL CHANNEL IS ENCRYPTED » (Le canal numérique est crypté) s'affiche à l'écran.

TV	Câble
VHF 2-13	VHF 2-13
UHF 14-69	STD/HRC/IRC 14-36 (A) (W) 37-59 (AA) (WW) 60-85 (AAA) (ZZZ) 86-94 (86) (94) 95-99 (A-5) (A-1) 100-125 (100) (125) 01 (5A)

Recherche de canaux

Pour trouver le canal suivant :

- Appuyer et relâcher **CH +** et **CH -**. La recherche s'arrête automatiquement sur le canal mémorisé suivant.

Pour des résultats corrects, les canaux doivent être mémorisés avant d'effectuer une recherche. Voir "Memorizing channels" on page 9.

Affichage d'informations

Remarque :

L'écran revient automatiquement au fonctionnement normal du téléviseur après 10 secondes.

Pour afficher des informations sur les programmes :

- 1 Appuyer sur **–/DISPLAY** pour afficher les informations disponibles à l'écran.

Lorsque le téléviseur reçoit un signal numérique, les informations numériques apparaissent :

- Nom de l'émission diffusée
- Nom de la station
- Remaining time (Temps restant)
- Langue audio
- Nom de l'émission
- Classification de la puce antiviolence (V-Chip)
- Symbole de la puce antiviolence

Lorsque le téléviseur reçoit un signal analogique, **–/DISPLAY** montre seulement les informations analogiques.

- 2 Appuyer de nouveau sur **–/DISPLAY**. Les informations analogiques suivantes s'affichent à l'écran :

- Horloge
- Numéro du canal ou mode vidéo sélectionné
- Étiquette du canal (si pré-réglé)
- État audio : stéréo ou SAP (deuxième trame sonore)
- Taille de l'image

- 3 Appuyer de nouveau sur **–/DISPLAY** pour effacer l'affichage.

Visualisation du canal précédent

La touche **RECALL** (Rappel) permet de retourner au dernier canal visionné. Appuyer de nouveau sur **RECALL** pour revenir au dernier canal visionné.

Mise en sourdine du volume

Pour mettre le son en sourdine :

- 1 Appuyer sur **MUTE** (Sourdine) pour couper le son. Le téléviseur est mis en sourdine et le symbole **MUTE** s'affiche à l'écran.
- 2 Pour rétablir le son, appuyer de nouveau sur **MUTE** ou appuyer sur **VOL +** ou **VOL -**.

Utilisation de la fonction Sleep (Arrêt différé)

Pour utiliser la fonction d'arrêt différé :

Pour que le téléviseur s'éteigne après une durée prédéterminée, appuyer sur **SLEEP** (Arrêt différé) de la télécommande. L'horloge compte 10 minutes au maximum à chaque appui sur **SLEEP** (0, 10, 20... 100, 110, 120).

Quand l'arrêt différé a été programmé, l'affichage apparaît brièvement toutes les dix minutes pour rappeler que le temporisateur d'arrêt automatique fonctionne. Pour confirmer le réglage du temporisateur d'arrêt automatique, appuyer sur **SLEEP** (Arrêt différé) et le temps restant s'affiche pendant quelques secondes. Pour annuler l'arrêt différé, appuyer de façon répétée sur **SLEEP** (Arrêt différé) jusqu'à l'affichage de 0.

Configuration de la puce antiviolence (V-Chip)

Il est possible d'empêcher la visualisation de certaines émissions de télévision afin d'éviter que les enfants d'une certaine tranche d'âge ne puissent voir ou entendre des scènes violentes ou des images jugées comme inappropriées. La restriction s'applique aux classifications des émissions TV et des films, si ces données sont transmises. Il est possible de définir cette restriction séparément. Pour utiliser la fonction de puce antiviolence, commencer par enregistrer un mot de passe.

Remarques :

La fonction de puce antiviolence est activée uniquement sur les émissions et sources d'entrée qui comprennent un signal de classification.

La configuration initiale de la puce antiviolence (V-Chip) peut prendre quelques minutes.

Pour éviter d'oublier le mot de passe, il est recommandé de le noter par écrit et de le garder en lieu sûr. Cependant, en cas d'oubli du mot de passe,

--Régler le volume au minimum, puis appuyer simultanément sur la touche de réduction du volume du téléviseur et sur la touche 0 de la télécommande.

--Maintenir pendant plus de deux secondes, puis réinitialiser le mot de passe.

Configuration du mot de passe

Pour configurer un mot de passe :

- 1 Appuyer sur **MENU/ENTER** (Menu/Entrée). Le menu d'écran s'affiche.
- 2 Appuyer sur **VOL +** et **VOL -** pour sélectionner le menu **OPTION**.
- 3 Appuyer sur **CH +** et **CH -** pour sélectionner **V-CHIP** (Puce anti-violence).
- 4 Appuyer sur **VOL +**. L'écran de saisie du mot de passe s'affiche.
- 5 Sélectionner et saisir un mot de passe (à quatre chiffres) à l'aide des touches numériques (0 à 9), puis appuyer sur **MENU/ENTER** (Menu/Entrée).
- 6 Saisir une nouvelle fois le même mot de passe pour le confirmer, puis appuyer sur **MENU/ENTER** (Menu/Entrée) pour définir le mot de passe.
- 7 Appuyer sur **EXIT** (Quitter) pour revenir à l'écran normal.

Configuration de la puce antiviolence (V-Chip)

Pour configurer la puce antiviolence (V-Chip) :

- 1 Appuyer sur **MENU/ENTER** (Menu/Entrée). Le menu d'écran s'affiche.
- 2 Appuyer sur **VOL +** et **VOL -** pour sélectionner le menu **OPTION**.
- 3 Appuyer sur **CH +** et **CH -** pour sélectionner **V-CHIP** (Puce anti-violence).
- 4 Appuyer sur **VOL +**. L'écran de saisie du mot de passe s'affiche.
- 5 Saisir le mot de passe à 4 chiffres à l'aide des touches numériques 0 à 9, puis appuyer sur **MENU/ENTER** (Menu/Entrée). Le menu **V-CHIP** (Puce antiviolence) s'affiche.
- 6 Appuyer sur **CH +** et **CH -** pour sélectionner **V-CHIP SET** (Configuration de la puce antiviolence), puis appuyer sur **VOL +**. Le menu **V-CHIP SET** (Configuration de la puce antiviolence) s'affiche.
- 7 Appuyer sur **CH +** et **CH -** pour sélectionner **TV RATING** (Classification TV), puis appuyer sur **VOL +** et **VOL -** pour afficher la classification souhaitée.
 - **OFF** – La fonction **TV RATING** n'est pas activée.
 - **TV-Y** – Tous les enfants
 - **TV-Y7** – Enfants de 7 ans et plus
 - **TV-G** – Tout public
 - **TV-PG** – Surveillance parentale suggérée
 - **TV-14** – 14 ans et plus
 - **TV-MA** – 17 ans et plus

Pour la sélection de TV-Y7, TV-PG, TV-14 ou de TV-MA, appuyer sur **-/DISPLAY** pour définir la classification plus précisément. Appuyer sur **CH +** et **CH -** pour sélectionner la classification souhaitée. Appuyer sur **VOL +** et **VOL -** pour sélectionner **ON** (Activé) ou **OFF** (Désactivé).

- 8 Appuyer sur **CH +** et **CH -** pour sélectionner **MOVIE RATING** (Classification des films), puis appuyer sur **VOL +**. Le menu **RATING** (Classification) s'affiche.
- 9 Appuyer sur **CH +** et **CH -** pour sélectionner la classification, puis appuyer sur **VOL +** et **VOL -** pour sélectionner **ON** ou **OFF** pour chaque classification.
 - **G** – Tous âges
 - **PG** – Surveillance parentale suggérée
 - **PG-13** – Surveillance parentale suggérée pour les moins de 13 ans
 - **R** – Contrôle parental suggéré pour les enfants de moins de 17 ans
 - **NC-17** – 17 ans et plus
 - **X** – Adultes uniquement
- 10 Appuyer deux fois sur **MENU/ENTER** (Menu/Entrée) pour revenir au menu **V-CHIP** (Puce antiviolence), puis appuyer sur **CH +** et **CH -** pour sélectionner **V-CHIP**.
- 11 Appuyer sur **VOL +** et **VOL -** pour sélectionner **ON** (Activé). Les paramètres ainsi définis sont désormais enregistrés en mémoire.
- 12 Appuyer sur **EXIT** (Quitter) pour revenir à l'écran normal.

Visionnement d'une émission sujette au contrôle parental

Pour visionner un programme qui est bloqué par la puce antiviolence :

- 1 Appuyer sur **MUTE** (Mise en sourdine).
- 2 Entrer le mot de passe puis appuyer sur **MENU/ENTER** (Entrée). Si le mot de passe est entré correctement, la protection est temporairement levée. Si le téléviseur est éteint ou si le canal est changé, la restriction de la puce antiviolence est rétablie.

Modification du mot de passe

Pour modifier le mot de passe :

- 1 Appuyer sur **MENU/ENTER** (Menu/Entrée). Le menu d'écran s'affiche.
- 2 Appuyer sur **VOL +** et **VOL -** pour sélectionner le menu **OPTION**, puis appuyer sur **CH +** et **CH -** pour sélectionner **V-CHIP** (Puce anti-violence).
- 3 Appuyer sur **VOL +** pour accéder au mode de saisie du mot de passe. Saisir le mot de passe à l'aide des touches numériques (0-9) puis appuyer sur **MENU/ENTER** (Menu/Entrée). Le menu **V-CHIP** (Puce antiviolence) s'affiche.
- 4 Appuyer sur **CH +** et **CH -** pour sélectionner **CHANGE PASSWORD** (Modifier le mot de passe), puis appuyer sur **VOL +** pour afficher un écran de mot de passe vierge.
- 5 Saisir un nouveau mot de passe à l'aide des touches numériques (0 à 9), puis appuyer sur **MENU/ENTER** (Menu/Entrée).
- 6 Saisir une nouvelle fois le même mot de passe pour le confirmer, puis appuyer sur **MENU/ENTER**.
- 7 Appuyer sur **EXIT** (Quitter) pour revenir à l'écran normal.

Téléchargement d'un système de classification anti-violence supplémentaire.

En supplément au système de classement anti-violence standard, le téléviseur est équipé pour télécharger un système de classement supplémentaire, le jour où un tel système sera disponible.

Remarques :

Le téléchargement ne sera possible que lorsque le téléviseur reçoit un signal numérique

Lors du téléchargement d'un système complémentaire de classification, le téléchargement peut prendre un certain temps.

Le type de classification et le contenu ne sont pas déterminés ni contrôlés par le téléviseur ou Dynex.

Le système de classement anti-violence est une technologie en pleine évolution; c'est pourquoi la disponibilité, le contenu et le format peuvent varier.

Le système de classement anti-violence standard est disponible que le téléviseur reçoive un signal numérique ou non et permet d'interdire des émissions de type analogique ou numérique. Pour configurer l'interdiction d'émissions à l'aide du système de classement anti-violence standard, sélectionner V-CHIP à l'étape 5.

Pour télécharger le système de classement anti-violence supplémentaire (lorsqu'il sera disponible) :

- 1 Appuyer sur **TUNER** (Syntoniseur) pour sélectionner le mode numérique.
- 2 Appuyer sur **MENU/ENTER** (Menu/Entrée). Le menu d'écran s'affiche.
- 3 Appuyer sur **VOL +** et **VOL -** pour sélectionner le menu **OPTION**, puis appuyer sur **CH +** et **CH -** pour sélectionner **V-CHIP** (Puce anti-violence).
- 4 Appuyer sur **VOL +** pour accéder au mode de saisie du mot de passe. Saisir le mot de passe à l'aide des touches numériques (0-9) puis appuyer sur **MENU/ENTER** (Menu/Entrée). Le menu **V-CHIP** (Puce anti-violence) s'affiche.
- 5 Lorsque le téléviseur reçoit un signal numérique, appuyer sur **VOL +** et **VOL -** pour sélectionner **V-CHIP SET (DTV)** (Configuration du V-CHIP (TVN), puis sur **CH -**.
- 6 Si le téléviseur ne mémorise pas le système de classement supplémentaire, il procédera à son téléchargement. Le téléchargement prendra un certain temps pour s'accomplir.
- 7 Appuyer sur **CH +** et **CH -** pour sélectionner **RRT SET**, puis appuyer sur **VOL +**.
- 8 Configurer les préférences relatives aux limites de classement par contenu du système de classement supplémentaire.

Réglage de l'horloge

Remarque :

Après une panne d'électricité ou si le téléviseur est débranché, les réglages de l'horloge seront perdus. Dans un tel cas, régler l'heure actuelle.

Pour régler l'horloge :

- 1 Appuyer sur **MENU/ENTER** (Menu/Entrée) puis sur **VOL +** et **VOL -** pour sélectionner le menu **SETUP** (Configuration).
- 2 Appuyer sur **CH +** et **CH -** pour sélectionner **CLOCK SET** (Réglage de l'horloge) puis sur **VOL +** et **VOL -**. Le menu **CLOCK SET** (Réglage de l'horloge) s'affiche sur l'écran.
- 3 Appuyer sur **VOL +** et **VOL -** pour régler le mois (**MONTH**), puis appuyer sur **VOL +**.
- 4 Régler **DAY** (Jour), **YEAR** (Année) et **TIME** (Heure) comme à l'étape 3.
- 5 Une fois la date et l'heure réglées, l'horloge commence à fonctionner automatiquement.
- 6 Appuyer sur **EXIT** (Quitter) pour revenir à l'écran normal.

Réglage de la taille de l'image

Il est possible de visionner les émissions au format 480i dans trois tailles d'image : 4:3, 16:9 et ZOOM.

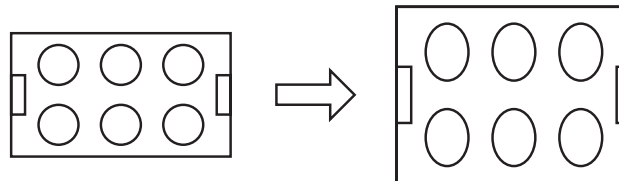
Pour modifier la taille d'image, appuyer sur **PICTURE SIZE** (Taille d'image) de la télécommande.

- En cas de réception d'un signal analogique, il est possible de choisir une taille d'image de 4:3 ou de 16:9.
- En cas de réception d'un signal numérique de 4:3, seul la taille d'image de 4:3 est disponible.
- En cas de réception d'un signal numérique de 16:9, il est possible de choisir une taille d'image de 4:3, 16:9, ou ZOOM.



Image au format 4:3

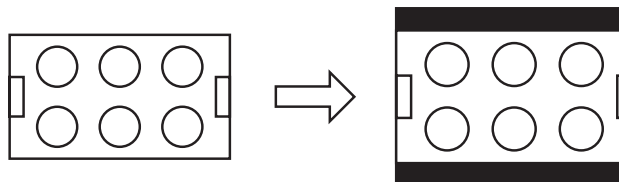
Pour remplir l'écran, les bords supérieur et inférieur sont étirés davantage, quoique le centre de l'image reste très proche de son format antérieur.



En cas de réception d'une émission au format 4:3, l'image est affichée dans les proportions de son format d'origine.

Image au format 16:9

Cette image s'affiche au format standard 16:9 avec des bandes noires dans la partie supérieure et inférieure de l'écran.



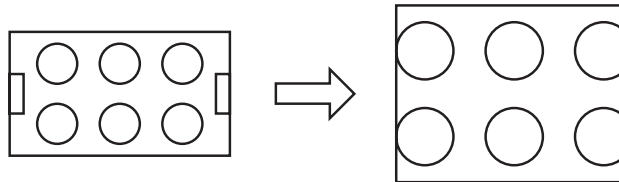
En cas de réception d'une émission au format 4:3, l'image s'affiche avec des bandes noires dans la partie supérieure et inférieure de l'écran; elle est également davantage étirée.

Remarque :

Si une barre noire fixe reste affichée sur l'écran pendant de longues périodes, l'image risque de s'incruster en permanence sur l'écran et de causer des images fantômes subtiles mais permanentes. Ne jamais laisser le téléviseur en marche pendant de longues périodes si de telles images sont affichées.

Image au format ZOOM (pour des émissions au format 16:9)

L'image toute entière est agrandie uniformément : elle est étirée dans la même proportion en largeur et en hauteur (et conserve ses proportions d'origine). Les bords gauche et droit de l'image peuvent être cachés.



Réglage de l'image

Remarque :

Le paramètre **CONTRAST** (Contraste) par défaut est réglé au maximum en usine.

Pour régler l'image :

- 1 Appuyer sur **MENU/ENTER** (Menu/Entrée) puis sur **VOL +** et **VOL -** pour sélectionner le menu **PICTURE** (Image).
- 2 Appuyer sur **CH +** et **CH -** pour sélectionner l'élément à régler.
- 3 Appuyer sur **VOL +** et **VOL -** pour régler le paramètre.

Élément	<	>
BRIGHTNESS (Luminosité)	diminuer	augmenter
CONTRAST (Contraste)	diminuer	augmenter
COLOR (Couleur)	couleurs plus pâles	couleurs brillantes
TINT (Teinte)	teinte rougeâtre	teinte verdâtre
SHARPNESS (Netteté)	image plus douce	image plus nette

- 4 Après avoir modifié le paramètre souhaité, appuyer sur **EXIT** (Quitter) pour revenir à un visionnement normal.

Réinitialisation des réglages de l'image

La fonction **RESET** (Réinitialisation) ramène les réglages de qualité de l'image aux paramètres d'usine suivants :

Élément	Valeur
BRIGHTNESS (Luminosité)	centre (0)
CONTRAST (Contraste)	maxi (32)
COLOR (Couleur)	centre (0)
TINT (Teinte)	centre (0)
SHARPNESS (Netteté)	centre (0)

Pour réinitialiser les réglages de l'image :

- 1 Appuyer sur **MENU/ENTER** (Menu/Entrée) puis sur **CH +** et **CH -** pour sélectionner le menu **PICTURE** (Image).
- 2 Appuyer sur **CH +** et **CH -** pour sélectionner **RESET** (Réinitialiser), puis sur **VOL +**.

Remarque :

Si la touche **RESET** est appuyée dans le menu **PICTURE**, les réglages de l'image retournent à leurs paramètres d'usine.

Contrôle des sous-titres codés

Ce téléviseur a la capacité de décoder et d'afficher des émissions télévisées en sous-titres codés. La fonction de sous-titres codés affiche le texte à l'écran pour les téléspectateurs malentendants ou traduit et affiche le texte dans une autre langue.

Sous-titres codés : Ce mode codé des sous-titres affiche le texte à l'écran en anglais ou dans une autre langue. Généralement, les sous-titres codés en anglais sont transmis sur C1 et les sous-titres dans d'autres langues sont transmis sur C2.

Texte : Le mode texte des sous-titres codés remplit généralement la moitié de l'écran avec un calendrier de programmation ou d'autres informations.

Remarques :

Si l'émission ou la vidéo sélectionnée n'a pas de sous-titres codés, aucun sous-titre ne s'affiche à l'écran.

Si le texte n'est pas disponible dans une zone de réception particulière, un rectangle noir pourra apparaître à l'écran. Si cela se produit, régler la fonction des sous-titres codés sur **OFF** (Désactivée).

Lorsque la fonction des sous-titres codés est sélectionnée, les sous-titres apparaissent au bout d'environ 10 secondes.

Si aucun signal de sous-titrage codé n'est reçu, l'écran n'affiche aucun sous-titre mais le téléviseur continue à fonctionner en mode de sous-titrage codé.

Des fautes d'orthographe ou des caractères bizarres peuvent occasionnellement apparaître dans les sous-titres codés. Ceci est normal pour les sous-titres codés, particulièrement lorsqu'il s'agit d'émissions en direct. La raison en est que les sous-titres sont saisis également en direct. Ces transmissions ne donnent pas le temps de procéder à une relecture.

Lorsque les sous-titres codés sont affichés, les affichages à l'écran, tels que le volume et la sourdine, peuvent être visibles mais peuvent se superposer aux sous-titres codés.

Certains systèmes de TV câblée et certains systèmes de protection contre la copie peuvent gêner la réception des sous-titres codés.

En cas d'utilisation d'une antenne intérieure ou si la réception TV est très médiocre, il est possible que le décodeur de sous-titres n'apparaisse pas ou apparaisse avec des caractères bizarres ou des mots mal orthographiés. Dans ce cas, ajuster l'antenne pour obtenir une meilleure réception ou utiliser une antenne extérieure.

Pour activer l'option de sous-titres codés (mode analogique) :

- 1 Syntoniser le téléviseur sur l'émission souhaitée en mode analogique.
- 2 Appuyer sur **MENU/ENTER** (Menu/Entrée) puis sur **VOL +** et **VOL -** pour afficher le menu **OPTION**.
- 3 Appuyer sur **CH +** et **CH -** pour sélectionner **CLOSED CAPTION** (Sous-titres codés). Appuyer sur **VOL -** pour afficher le menu **CLOSED CAPTION**.

Remarques :

En fonction du signal reçu, certains sous-titres analogiques fonctionnent avec des transmissions numériques.

Il est possible d'afficher cet écran en appuyant sur **CCD** (Sous-titres codés).

- 4 Appuyer sur **CH +** et **CH -** pour sélectionner le mode de sous-titres codés souhaité, puis appuyer sur **MENU/ENTER** (Menu/Entrée).
 - Pour visualiser les sous-titres codés, sélectionner C1 ou C2. C1 affiche une traduction de la langue principale dans la région. Si l'émission ou la vidéo sélectionnée n'a pas de sous-titres codés, aucun sous-titre ne s'affiche à l'écran.
 - Pour visualiser le texte, sélectionner T1 ou T2. Si le texte n'est pas disponible dans une zone de réception particulière, un rectangle noir pourra apparaître à l'écran. Si cela se produit, régler la fonction des sous-titres codés sur **OFF** (Désactivé).
 - Pour désactiver les sous-titres codés, sélectionner **OFF**.
- 5 Appuyer sur **EXIT** (Quitter) pour revenir à l'écran normal.

Pour activer l'option de sous-titres codés (mode numérique) :

- 1 Syntoniser le téléviseur sur l'émission souhaitée en mode numérique.
- 2 Appuyer sur **MENU/ENTER** (Menu/Entrée) puis sur **VOL +** et **VOL -** pour afficher le menu **OPTION**.
- 3 Appuyer sur **CH +** et **CH -** pour sélectionner **CLOSED CAPTION** (Sous-titres codés). Appuyer sur **VOL +** pour afficher le menu **CLOSED CAPTION**.
- 4 Appuyer sur **CH +** et **CH -** pour sélectionner **ANALOG CAPTION** (Sous-titres codés analogiques) ou **DIGITAL CAPTION** (Sous-titres codés numériques).
- 5 Appuyer sur **VOL +** et **VOL -** pour sélectionner le mode de sous-titres codés souhaité, puis sur **MENU/ENTER** (Menu/Entrée).
- 6 Appuyer sur **EXIT** (Quitter) pour revenir à l'écran normal.

Réglage des sous-titres codés

Les sous-titres codés sont paramétrés en usine. Il est toutefois possible de les ajuster individuellement. Cette option de personnalisation ne s'applique qu'aux seuls sous-titres numériques.

Remarque :

Ne pas choisir la même couleur pour la couleur de texte (TEXT COLOR) et la couleur de fond (BACKGROUND COLOR) des sous-titres codés, sinon il ne sera pas possible de voir le texte.

Pour ajuster les sous-titres codés :

- 1 Appuyer sur **MENU/ENTER** (Menu/Entrée). Le menu d'écran s'affiche.
- 2 Appuyer sur **VOL +** et **VOL -** pour sélectionner le menu **OPTION**.
- 3 Appuyer sur **CH +** et **CH -** pour sélectionner **DIGITAL SETUP**, (Configuration numérique), puis sur **VOL +**.
- 4 Appuyer sur **CH +** et **CH -** pour sélectionner **CC ADVANCED** (Sous-titres codés avancés), puis sur **VOL +**. Le menu **CC ADVANCED** s'affiche à l'écran.
- 5 Appuyer sur **CH +** et **CH -** pour sélectionner l'élément à régler, puis sur **VOL +**.
- 6 Appuyer sur **CH +** et **CH -** pour sélectionner le réglage, puis sur **MENU/ENTER** (Menu/Entrée).

Sélectionner parmi les éléments et paramètres suivants :

- **TEXT SIZE (Taille du texte)**: AUTO, SMALL (petite), STANDARD, LARGE (grande)
- **TEXT TYPE (Police de caractères)**: AUTO, DEFAULT (par défaut), MONO W. SERIF (espacement fixe avec empattement), PROP. W. SERIF (espacement proportionnel avec empattement), MONO W/O SERIF (espacement fixe sans empattement), PROP W/O SERIF (espacement proportionnel sans empattement), CASUAL, CURSIVE (courant), SMALL CAPITALS (petites majuscules).
- **TEXT COLOR (Couleur du texte)**: AUTO, BLACK (noir), WHITE (blanc), RED (rouge), GREEN (vert), BLUE (bleu), YELLOW (jaune), MAGENTA, CYAN
- **TEXT EDGE (Bord du texte)**: AUTO, NONE (aucun), RAISED (surélevé), DEPRESSED (enfoncé), UNIFORM (uniforme), LEFT DROP SHADOW (ombre avec dénivelé à gauche), RIGHT DROP SHADOW (ombre avec dénivelé à droite)
- **BACKGROUND COLOR (Couleur de fond)**: AUTO, BLACK (noir), WHITE (blanc), RED (rouge), GREEN (vert), BLUE (bleu), YELLOW (jaune), MAGENTA, CYAN

- 7 Appuyer de façon répétée sur **MENU/ENTER** (Menu/Entrée) jusqu'à ce que le menu d'écran disparaisse.

Sélection de Stereo/Second Audio Program (SAP) [Stéréo/Seconde trame sonore]

La fonction de transmission multivoie de signaux sonores en télévision (MTS) fournit un son stéréo haute fidélité. MTS peut aussi transmettre une deuxième trame sonore (SAP) contenant une deuxième langue ou d'autres informations audio. Lorsque le téléviseur reçoit une émission diffusée en stéréo ou avec une deuxième trame sonore, le mot **STEREO** ou **SAP** s'affiche à l'écran lorsque le téléviseur est allumé, à chaque changement de canal et à chaque appui sur la touche **-/DISPLAY** (Affichage).

Pour sélectionner Stereo/Second Audio Program (SAP) :

- 1 Appuyer sur **MENU/ENTER** (Menu/Entrée) en mode analogique puis sur **VOL +** et **VOL -** pour sélectionner le menu **OPTION**.
- 2 Appuyer sur **CH +** et **CH -** pour sélectionner **SAP**, puis sur **VOL +** et **VOL -** pour sélectionner **OFF** (Désactivé) ou **ON** (Activé)
- 3 Appuyer sur **EXIT** (Quitter) pour revenir à l'écran normal.

Pour écouter l'audio en mode stéréo :

Remarques :

Lorsque le téléviseur est sous tension ou qu'un canal est sélectionné, **STEREO** s'affiche sur l'écran, indiquant que la réception en mode stéréo est disponible. Aucune indication ne s'affiche à l'écran lorsque seule la réception en mode mono est disponible.

Le son stéréophonique est disponible sur les haut-parleurs gauche et droit.

- 1 Si le signal n'est pas assez puissant, ou si un son stéréo clair n'est pas disponible, appuyer sur **AUDIO** de la télécommande pour passer au mode mono. Ceci devrait éliminer tout bruit de fond.
- 2 Appuyer de nouveau sur la touche **AUDIO** pour revenir au mode stéréo.

Pour écouter une deuxième trame sonore (SAP) :

- 1 Lorsque le téléviseur est sous tension ou qu'un canal est sélectionné, **SAP** s'affiche sur l'écran, indiquant qu'une deuxième trame sonore (SAP) est disponible..
- 2 Appuyer sur **AUDIO** de la télécommande puis sélectionner le paramètre SAP souhaité, en se servant du tableau suivant comme d'un guide.

Émission	Paramètre SAP	Affichage Audio
MONO (Mono)	OFF (Désactivés)	MONO (Mono)
	ON (Activés)	MONO (Mono)
STEREO (Stéréo)	OFF (Désactivés)	STEREO <-> MONO (Stéréo - Mono)
	ON (Activés)	STEREO <-> MONO (Stéréo - Mono)
MONO+SAP	OFF (Désactivés)	MONO (Mono)
	ON (Activés)	SAP
STEREO (Stéréo)	OFF (Désactivés)	STEREO <-> MONO (Stéréo - Mono)
	ON (Activés)	SAP

Sélection de la langue audio

Lorsque plusieurs langues audio sont incluses dans un signal numérique, il est possible de sélectionner une des langues audio.

Pour sélectionner la langue audio :

- 1 Appuyer sur **TUNER** (Syntoniseur) pour sélectionner le mode numérique.
- 2 Appuyer sur **MENU/ENTER** (Menu/Entrée). Le menu d'écran s'affiche.
- 3 Appuyer sur **VOL +** et **VOL -** pour sélectionner le menu **OPTION**, puis sur **CH +** et **CH -** pour sélectionner **DIGITAL SETUP** (Configuration numérique).
- 4 Appuyer sur **VOL +**. Le menu **DIGITAL SETUP** (Configuration numérique) s'affiche.
- 5 Appuyer sur **CH +** et **CH -** pour sélectionner **AUDIO LANGUAGE** (Langue audio), puis appuyer sur **VOL +**. Le menu **AUDIO LANGUAGE** (Langue audio) s'affiche.
- 6 Appuyer sur **CH +** et **CH -** pour sélectionner la langue souhaitée, puis **MENU/ENTER**.
- 7 Appuyer de façon répétée sur **MENU/ENTER** (Menu/Entrée) jusqu'à ce que le menu d'écran soit effacé.

Vérification de la puissance du signal numérique

Ce téléviseur permet d'afficher la puissance du signal numérique pour les canaux numériques.

Remarques :

La fonction de mesure du signal n'est pas disponible pour les canaux analogiques.

Après quatre minutes, l'écran **SIGNAL METER** (Mesure du signal) revient automatiquement au fonctionnement normal du téléviseur.

Pour vérifier la puissance du signal numérique :

- 1 Appuyer sur **MENU/ENTER** (Menu/Entrée). Le menu d'écran s'affiche.
- 2 Appuyer sur **VOL +** et **VOL -** pour sélectionner le menu **OPTION**, puis sur **CH +** et **CH -** pour sélectionner **DIGITAL SETUP** (Configuration numérique).
- 3 Appuyer sur **VOL +**. Le menu **DIGITAL SETUP** (Configuration numérique) s'affiche.
- 4 Appuyer sur **CH +** et **CH -** pour sélectionner **SIGNAL METER** (Mesure du signal), puis sur **VOL +** pour vérifier la puissance du signal numérique.
- 5 Appuyer de façon répétée sur **MENU/ENTER** (Menu/Entrée) jusqu'à ce que le menu d'écran soit effacé.

Utilisation de la fonction d'arrêt automatique

Lorsque la fonction d'arrêt automatique est activée et que le canal sélectionné arrête sa diffusion, le téléviseur s'éteint automatiquement 15 minutes après l'arrêt de la diffusion.

Pour utiliser la fonction d'arrêt automatique :

- 1 Appuyer sur **MENU/ENTER** (Menu/Entrée). Le menu d'écran s'affiche.
- 2 Appuyer sur **VOL +** et **VOL -** pour sélectionner le menu **OPTION**, puis sur **CH +** et **CH -** pour sélectionner **AUTO SHUT OFF**.
- 3 Appuyer sur **CH +** et **CH -** pour sélectionner **ON** (Activé) ou **OFF** (Désactivé).
- 4 Appuyer sur **EXIT** (Quitter) pour revenir à l'écran normal.

Spécifications

La conception et les spécifications sont sujettes à modifications sans avis préalable.

Alimentation	120 V CA, 60 Hz
Consommation	
Fonctionnement	110 W
Veille	3 W
Conception du châssis	
Poids	114,7 lb (52 kg)
Largeur	32,9 po (836 mm)
Hauteur	21,69 po (551 mm)
Profondeur	25,79 po (655 mm)
Entrées	
VIDÉO	1 V (c-c)/75 ohms
AUDIO	- 8 dBm/50 kilohms
S-VIDEO	Y : 1 V (c-c), 75 ohms C : 0.286 V (c-c), 75 ohms

COMPOSANTES	Y : 1 V (c-c), 75 ohms PR : 0,7 V (c-c), 75 ohms PB : 0,7 V (c-c), 75 ohms
Sortie	
AUDIO	- 8 dBm/50 kilohms
Autre	
Entrée antenne	Entrée VHF/UHF 75 ohms coaxiale
Tube cathodique	32 po (800,1 mm en diagonal)
Type de syntoniseur	Standard NTSC Standard ATSC (8 VSB), QAM
Réception de canaux	VHF 2 à 13 UHF 14 à 69 CÂBLE 14 à 36 (A)-(W) 37 à 59 (AA)-(WW) 60 à 85 (AAA)-(ZZZ) 86-94 (86)-(94) 95 à 99 (A-5)-(A-1) 100-125 (100)-(125) 01 (5A)
Haut-parleurs	2 po (50,8 mm) x 3 po 1/2 (88,9 mm), 8 ohms x 2
Puissance de sortie du son	1 W + 1 W

Problèmes et solutions

Utiliser la liste de vérification suivante pour identifier et résoudre les problèmes qui peuvent survenir avec le téléviseur. Si le problème persiste, consulter le revendeur local ou un centre de services. Lors d'une utilisation avec d'autres appareils, vérifier que toutes les connexions sont correctes.

Problème	Solution
Le téléviseur ne fonctionne pas.	<ul style="list-style-type: none"> • Vérifier que le cordon d'alimentation est branché. • Essayer une autre prise secteur. • L'appareil est hors tension. Vérifier le fusible ou le disjoncteur. • Débrancher le téléviseur pendant une heure, puis le rebrancher.
Pas de son ou son médiocre.	<ul style="list-style-type: none"> • Problème au niveau de la station de TV ou du câblo-opérateur. Syntoniser une autre station. • Vérifier les réglages du son (volume et sourdine). • Vérifier s'il existe des sources possibles d'interférences.
Pas d'image ou image médiocre.	<ul style="list-style-type: none"> • Problème au niveau de la station de TV ou du câblo-opérateur. Syntoniser une autre station. • Vérifier que les canaux sont enregistrés en mémoire. • Vérifier les connexions du réseau câblé ou de l'antenne. Régler l'antenne. • Vérifier s'il existe des sources possibles d'interférences. • Vérifier les réglages du contrôle de l'image.
Mauvaise réception sur certains canaux.	<ul style="list-style-type: none"> • Problème au niveau de la station de TV ou du câblo-opérateur. Syntoniser une autre station. • Vérifier que les canaux sont enregistrés en mémoire. • La réception est faible. Ajuster l'antenne pour recevoir la station souhaitée. • Vérifier s'il existe des sources possibles d'interférences.
Pas de couleur ou couleur médiocre.	<ul style="list-style-type: none"> • Problème au niveau de la station de TV ou du câblo-opérateur. Syntoniser une autre station. • Vérifier que les canaux sont enregistrés en mémoire. • Vérifier les réglages du contrôle de l'image. • Vérifier les connexions du réseau câblé ou de l'antenne. Régler l'antenne. • Vérifier s'il existe des sources possibles d'interférences.
L'image tremble ou dérive.	<ul style="list-style-type: none"> • Problème au niveau de la station de TV ou du câblo-opérateur. Syntoniser une autre station. • Vérifier que les canaux sont enregistrés en mémoire. • Le câblo-opérateur brouille le signal. • Régler l'antenne.
Problèmes à l'écran lors d'une émission numérique.	<ul style="list-style-type: none"> • Vérifier la puissance du signal numérique.
Pas de réception de réseau câblé.	<ul style="list-style-type: none"> • Vérifier les connexions de tous les câbles. • Régler l'option de menu TV/CABLE sur le mode CABLE. • Problème au niveau de la station de TV ou du câblo-opérateur. Essayer une autre station.

Problème	Solution
Barres horizontales ou diagonales sur l'écran	<ul style="list-style-type: none"> • Vérifier les connexions de l'antenne. • Régler ou ajuster la direction de l'antenne. • Vérifier s'il existe des sources possibles d'interférences.
Pas de réception au-delà du canal 13.	<ul style="list-style-type: none"> • Vérifier que l'option du menu TV/CABLE est dans le mode approprié. • En cas d'utilisation d'une antenne, vérifier les connexions à l'antenne UHF.
La télécommande ne fonctionne pas.	<ul style="list-style-type: none"> • Les piles sont faibles, mortes ou insérées incorrectement. • La télécommande est hors de portée. Rapprocher la télécommande du téléviseur (à moins de 15 pieds). • Veiller à ce que la télécommande soit pointée vers le capteur. • Vérifier qu'il n'existe aucun obstacle entre la télécommande et le téléviseur. • Vérifier que le cordon d'alimentation est branché.
Le téléviseur s'éteint.	<ul style="list-style-type: none"> • Aucune émission n'est diffusée par la station syntonisée. • L'arrêt différé est activé. • Panne de courant.
Les sous-titres codés ne sont pas activés.	<ul style="list-style-type: none"> • La station de télévision a des problèmes ou le programme diffusé n'a pas de sous-titres codés. Essayer un autre canal. • Vérifier la connexion au réseau câblé ou à l'antenne VHF/UHF. Repositionner ou faire pivoter l'antenne. • Régler le décodeur de sous-titres codés dans le menu.
L'affichage n'est pas disponible dans la langue souhaitée.	<ul style="list-style-type: none"> • Sélectionner la langue correcte dans les options du menu.

Avis juridiques

Déclarations réglementaires

Déclaration sur les interférences aux fréquences radioélectriques de la Commission fédérale des communications (FCC) des États-Unis

Cet équipement a été testé et déclaré conforme aux limitations prévues dans le cadre de la catégorie B des appareils numériques, définies par l'article 15 du règlement de la FCC. Ces limites ont été établies pour fournir une protection raisonnable contre les interférences préjudiciables dans une installation résidentielle. Cet équipement génère, utilise et diffuse des ondes radio et, s'il n'est pas installé et utilisé conformément aux instructions dont il fait l'objet, il peut provoquer des interférences préjudiciables aux communications radio. Cependant, il n'est pas possible de garantir qu'aucune interférence ne se produira pour une installation particulière. Si cet équipement produit des interférences importantes lors de réceptions radio ou télévisées, qui peuvent être détectées en éteignant puis en rallumant l'appareil, essayer de corriger l'interférence au moyen de l'une ou de plusieurs des mesures suivantes :

- Réorienter ou déplacer l'antenne réceptrice.
- Augmenter la distance entre l'équipement et le récepteur.
- Brancher l'équipement sur la prise électrique d'un circuit différent de celui auquel le récepteur est relié.
- Contacter le revendeur ou un technicien radio ou télévision qualifié pour toute assistance.

Attention : Tous changements ou modifications qui ne seraient pas expressément approuvés par les responsables de l'application des règles FCC pourraient rendre nul le droit de l'utilisateur d'utiliser cet équipement.

Avis canadien

Cet appareil numérique de classe B satisfait toutes les exigences du Règlement canadien sur le matériel brouilleur.

Droits d'auteur

© 2007 Dynex. DYNEX et le logo de DYNEX sont des marques de commerce de Best Buy Enterprise Services, Inc. Les autres noms de marques et de produits sont des marques de commerce ou des marques déposées de leurs propriétaires respectifs. Les spécifications et caractéristiques sont susceptibles d'être modifiées sans préavis.

Pour l'assistance technique, appeler le (800) 305-2204.

Garantie limitée de 90 jours

Dynex Products (« Dynex ») garantit au premier acheteur de ce **DX-R32TV** neuf (« Produit »), qu'il est exempt de vices de fabrication et de main-d'œuvre à l'origine, pour une période de 90 jours à partir de la date d'achat du Produit (« Période de garantie »). Ce Produit doit avoir été acheté chez un revendeur agréé des produits de la marque Dynex et emballé avec cette déclaration de garantie. Cette garantie ne couvre pas les Produits remis à neuf. Les conditions de la présente garantie s'appliquent à tout Produit pour lequel Dynex est notifié, pendant la Période de garantie, d'un vice couvert par cette garantie qui nécessite une réparation.

Quelle est la durée de la couverture?

La Période de garantie dure 90 jours à compter de la date d'achat de ce Produit. La date d'achat est imprimée sur le reçu fourni avec le Produit.

Que couvre cette garantie?

Pendant la Période de garantie, si un vice de matériau ou de main-d'œuvre d'origine est détecté sur le Produit par un service de réparation agréé par Dynex ou le personnel du magasin, Dynex (à sa seule discrétion) : (1) réparera le Produit en utilisant des pièces détachées neuves ou remises à neuf; ou (2) remplacera le Produit par un produit ou des pièces neuves ou remises à neuf de qualité comparable. Les produits et pièces remplacés au titre de cette garantie deviennent la propriété de Dynex et ne sont pas retournés à l'acheteur. Si les Produits ou pièces nécessitent une réparation après l'expiration de la Période de garantie, l'acheteur devra payer tous les frais de main-d'œuvre et les pièces. Cette garantie reste en vigueur tant que l'acheteur reste propriétaire du Produit Dynex pendant la Période de garantie. La garantie prend fin si le Produit est revendu ou transféré d'une quelconque façon que ce soit à tout autre propriétaire.

Comment obtenir une réparation sous garantie?

Si le Produit a été acheté chez un détaillant, le rapporter accompagné du reçu original chez ce détaillant. Prendre soin de remettre le Produit dans son emballage d'origine ou dans un emballage qui procure la même qualité de protection que celui d'origine. Si le Produit a été acheté en ligne, l'expédier accompagné du reçu original à l'adresse indiquée sur le site Web. Prendre soin de remettre le Produit dans son emballage d'origine ou dans un emballage qui procure la même qualité de protection que celui d'origine.

Pour obtenir le service de la garantie à domicile pour un téléviseur avec écran de 25 po ou plus, appeler le 1-888-BESTBUY. L'assistance technique établira un diagnostic et corrigera le problème au téléphone ou enverra un technicien agréé par Dynex pour la réparation à domicile.

Où cette garantie s'applique-t-elle?

Cette garantie ne s'applique qu'à l'acheteur original du Produit aux États-Unis et au Canada.

Ce qui n'est pas couvert par cette garantie limitée

La présente garantie ne couvre pas :

- la formation du client;
- l'installation;
- les réglages de configuration;
- les dommages esthétiques;
- les dommages résultants de catastrophes naturelles telles que la foudre;
- les accidents;
- une utilisation inadaptée;
- une manipulation abusive;
- la négligence;
- une utilisation commerciale;
- la modification de tout ou partie du Produit.
- un écran plasma endommagé par les images fixes (sans mouvement) qui restent affichées pendant de longues périodes (rémanentes).

La présente garantie ne couvre pas non plus :

- les dommages ayant pour origine une utilisation ou une maintenance défectueuse;
- la connexion à une source électrique dont la tension est inadéquate;
- toute réparation effectuée par quiconque autre qu'un service de réparation agréé par Dynex pour la réparation du Produit;
- les Produits vendus en l'état ou hors service;
- les consommables tels que les fusibles ou les piles;
- les produits dont le numéro de série usine a été altéré ou enlevé.

LA RÉPARATION OU LE REMPLACEMENT, TELS QU'OFFERTS PAR LA PRÉSENTE GARANTIE, CONSTITUENT LE SEUL RECOURS DE L'ACHETEUR. DYNEX NE SAURAIT ÊTRE TENU POUR RESPONSABLE DE DOMMAGES ACCESSOIRES OU CONSÉCUTIFS, RÉSULTANT DE L'INEXÉCUTION D'UNE GARANTIE EXPRESSE OU IMPLICITE SUR CE PRODUIT, Y COMPRIS, SANS S'Y LIMITER, LA PERTE DE DONNÉES, L'IMPOSSIBILITÉ D'UTILISER LE PRODUIT, L'INTERRUPTION D'ACTIVITÉ OU LA PERTE DE PROFITS. DYNEX PRODUCTS N'OCTROIE AUCUNE AUTRE GARANTIE EXPRESSE RELATIVE À CE PRODUIT; TOUTES LES GARANTIES EXPRESSES OU IMPLICITES POUR CE PRODUIT, Y COMPRIS MAIS SANS LIMITATION, TOUTE GARANTIE DE QUALITÉ MARCHANDE, D'ADÉQUATION À UN BUT PARTICULIER, SONT LIMITÉES À LA PÉRIODE DE GARANTIE APPLICABLE TELLE QUE DÉCRITE CI-DESSUS ET AUCUNE GARANTIE EXPRESSE OU IMPLICITE, NE S'APPLIQUERA APRÈS LA PÉRIODE DE GARANTIE. CERTAINS ÉTATS ET PROVINCES NE RECONNAISSENT PAS LES LIMITATIONS DE LA DURÉE DE VALIDITÉ DES GARANTIES IMPLICITES. PAR CONSÉQUENT, LES LIMITATIONS SUSMENTIONNÉES PEUVENT NE PAS S'APPLIQUER À L'ACHETEUR ORIGINAL. LA PRÉSENTE GARANTIE DONNE À L'ACHETEUR DES GARANTIES JURIDIQUES SPÉCIFIQUES; IL PEUT AUSSI BÉNÉFICIER D'AUTRES GARANTIES QUI VARIENT D'UN ÉTAT OU D'UNE PROVINCE À L'AUTRE.

Pour contacter Dynex :

Pour le service à la clientèle, appeler le 1-800-305-2204
www.dynexproducts.com

DYNEX^{MD} est une marque de commerce déposée de Best Buy Enterprise Services, Inc.
Distribué par Best Buy Purchasing, LLC
Dynex, 7601 Penn Avenue South, Richfield, Minnesota, U.S.A.

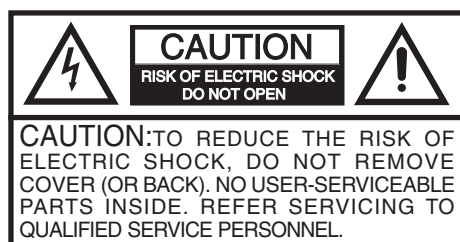
Dynex DX-R32TV

Televisor a color de 32" con MTS estéreo y sintonizador digital

Contenido

Instrucciones importantes de seguridad	37
Características	39
Preparación de su televisor	40
Uso del televisor	45
Especificaciones	51
Localización y corrección de fallas	51
Avisos legales	52
Garantía	53

Instrucciones importantes de seguridad



Advertencia:
 Para reducir el riesgo de incendio o choque eléctrico, no exponga este televisor a la lluvia o la humedad.

	The lightning flash with arrowhead symbol, within an equilateral triangle is intended to alert the user to the presence of uninsulated dangerous voltage within the product's enclosure that may be of sufficient magnitude to constitute a risk of electric shock.
	The exclamation point within an equilateral triangle is intended to alert the user to the presence of important operating and maintenance (servicing) instructions in the literature accompanying the appliance.

Cuidado 	Cualquier cambio o modificación que no esté aprobado expresamente por la parte responsable por el cumplimiento con el reglamento de FCC puede anular la autoridad del usuario para operar el equipo.
Cuidado 	Para evitar choques eléctricos, no utilice el enchufe polarizado con una extensión, receptáculo u otro tomacorriente a menos que pueda insertar completamente las clavijas para prevenir la exposición de las espigas.

Medidas de seguridad importantes

- Lea todas estas instrucciones.
- Guarde estas instrucciones para un uso futuro.

- Desconecte este televisor del tomacorriente antes de limpiarlo. Use un paño seco para limpiar. No use productos de limpieza líquidos o en aerosol.
- Para evitar peligros, use sólo los accesorios recomendados por el fabricante del televisor.
- No use este televisor cerca del agua, por ejemplo cerca de una bañera, fregadero, cerca de una piscina.

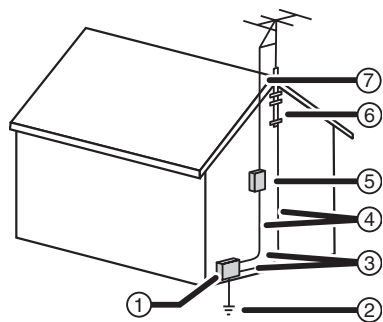
Advertencia sobre carro portátil (símbolo proporcionado por RETAC)



S3126A

- No coloque este producto en un carro, base, o mesa inestable. El televisor puede caerse, causando daño a un niño o adulto, y daños graves al equipo.
 - Las ranuras y aberturas en los lados, la parte posterior e inferior se proveen para ventilación, para asegurar la operación confiable del televisor, y para protegerlo contra el sobrecalentamiento. Estas aberturas no se deben bloquear ni cubrir. Las aberturas nunca se deben bloquear si se coloca el televisor en una cama, un sofá, una alfombra u otra superficie suave. Este televisor nunca se debe colocar cerca o sobre un radiador.
- Este televisor no se debe colocar en una instalación integrada, tal como en un librero, a menos que se provea una ventilación apropiada.
- Este televisor debe funcionar únicamente con el tipo de fuente de energía indicada en la etiqueta de marca. Si no está seguro del tipo de fuente de energía en su casa, consulte con el vendedor de su televisor o la compañía de energía local.
 - Este televisor está equipado con un enchufe polarizado de corriente alterna (un enchufe que tiene una espiga más ancha que la otra). Este enchufe se conecta en el tomacorriente de una sola forma. Ésta es una característica de seguridad. Si no puede insertar completamente el enchufe en el tomacorriente, intente voltearlo. Si el enchufe todavía no entra, contacte a su electricista para que reemplace el tomacorriente obsoleto. No anule el propósito de seguridad del enchufe polarizado.
 - No permita que nada se coloque sobre el cable de alimentación, y no coloque este televisor donde éste puede ser pisado.
 - Siga todas las advertencias e instrucciones marcadas en el televisor.

- Si una antena externa o un sistema de cable está conectado al televisor, asegúrese de que la antena o el sistema de cable está conectado a tierra, para proveer una protección contra sobretensiones y la acumulación de cargas estáticas. El artículo 810 del código nacional eléctrico, ANSI/NFPA 70-1984 proporciona información con respecto a la conexión a tierra del poste y la estructura de soporte, la conexión a tierra del alambre principal de una unidad de descarga de antena, el tamaño de los conductores de la conexión a tierra y la conexión del electrodo de conexión a tierra.



Referencia	Componente de conexión a tierra
1	Equipo de servicio eléctrico
2	Sistemas de electrodos de tierra para el servicio de alimentación eléctrica (NEC Art. 250, Parte H)
3	Abrazadera de tierra
4	Conectores de conexión a tierra (NEC Sección 810-21)
5	Unidad de descarga de antena (NEC Sección 810-20)
6	Abrazadera de tierra
7	Cable conductor de entrada de antena

- Use como cable de tierra, un cable calibre No. 10 AWG (5.3 mm²) de cobre, No. 8 AWG (8.4 mm²) de aluminio, No. 17 AWG (1.0 mm²) de bronce o acero con revestimiento de cobre, o de calibre mayor.
- Asegure a la casa los cables conductor de entrada de antena y de tierra usando aisladores separadores con 4 a 6 pies (1.22 - 1.83 m) de separación.
- Monte la unidad de descarga de antena tan cerca como sea posible al lugar donde entra a la casa el conductor de entrada.
- Use un cable de empalme de calibre no menor que No. 6A WG (13.3 mm²) de cobre o equivalente, cuando use un electrodo de conexión a tierra-antena separado. Consulte ANSI/NFPA70.
- No debe existir un sistema de antena exterior en las inmediaciones de circuitos de alimentación eléctrica o donde pueda caer sobre dichos circuitos o líneas de alimentación. Al instalar un sistema de antena exterior, se debe tener cuidado extremo para no tocar los circuitos o líneas de alimentación ya que el contacto con ellos podría ser fatal.
- Para protección adicional de este televisor durante una tormenta con relámpagos, o cuando no se use durante largos periodos, desconéctelo del tomacorriente y desconéctelo de la antena o el sistema de cable. Esto evitará daños al televisor debido a sobretensión en la línea de energía o por relámpagos.
- No sobrecargue los tomacorrientes y los cables de extensión ya que una sobrecarga puede causar incendio o choque eléctrico.

- Nunca inserte objetos de ningún tipo en este televisor a través de las ranuras del gabinete, ya que estos pueden tocar puntos de voltaje peligrosos o hacer corto circuito con otros componentes que pueden resultar en incendio o choque eléctrico. Nunca derrame líquidos de ninguna clase dentro del televisor.
- No trate de reparar este televisor usted mismo, ya que abrir o quitar las cubiertas puede exponerlo a voltajes peligrosos u otros peligros. Solicite todas las reparaciones al personal de servicio calificado.
- Desconecte este televisor del tomacorriente y solicite la reparación a los técnicos de servicio calificados bajo las siguientes condiciones:
 - Cuando el cable de alimentación o el enchufe se dañen.
 - Si se ha derramado líquido dentro del televisor.
 - Si el televisor ha sido expuesto a la lluvia o al agua.
 - Si el televisor no funciona normalmente aún siguiendo las instrucciones de operación siguientes. Ajuste únicamente los controles que están cubiertos en las instrucciones de operación, ya que el ajuste incorrecto de otros controles puede resultar en daño y frecuentemente requerirá trabajo intensivo de un técnico calificado para restaurar la operación normal del producto.
 - Si el televisor se ha dejado caer o se ha dañado el gabinete.
 - Cuando el televisor exhibe un cambio significativo en el rendimiento.
- Cuando se necesitan repuestos, asegúrese de que el técnico de reparación use repuestos especificados por el fabricante o que tengan las mismas características que la parte original. Las substituciones no autorizadas pueden resultar en incendio, choque eléctrico u otros peligros.
- Después de completar la reparación de este televisor, pida al técnico de servicio que realice verificaciones de seguridad para determinar que el televisor se encuentra en una condición de operación apropiada.

Nota para el instalador del sistema de televisión

Este recordatorio se proporciona para que el instalador del sistema de televisión por cable preste atención a la Sección 820.40 del NEC el cual proporciona pautas para una correcta conexión a tierra y, en particular, especifica que la conexión a tierra del cable debe estar conectada al sistema de tierra de la edificación, tan cerca al punto de entrada del cable como sea práctico.

Características

- **Imagen de alta calidad** — La resolución horizontal de más de 500 líneas excede la del Super VHS (400 líneas) o del disco láser (430 líneas).
- Compatibilidad con un amplio rango de salidas de audio.
- **Sintonizador digital integrado** — Usted puede ver programas digitales sin usar una caja de TV por cable digital.
- **Decodificador de subtítulos con modo de texto completo** — Muestra subtítulos optativos o texto en pantalla completa para personas con discapacidad auditiva.
- **Ajustes de imagen usando el control remoto** — La visualización en pantalla permite realizar ajustes precisos mediante el control remoto del brillo, contraste, color, tinte y nitidez.
- **Temporizador de apagado automático del televisor** — Puede operarse mediante el control remoto, y el televisor puede programarse para que se apague automáticamente en un lapso de hasta 120 minutos.
- **V-Chip** — La función V-Chip puede leer la clasificación de contenido de un programa o película de televisión si el programa está codificado con esta información. El V-chip le permite establecer un nivel de restricción.
- **Recepción estéreo/SAP** — Este televisor está diseñado para recibir transmisiones de programas en estéreo y segundo audio (SAP), donde están disponibles.
- **Conectores de S-Video/video de componentes** — Puede conectarse a este televisor un reproductor de DVD, VCR, receptor de satélite u otro componente de audio/video.
- **Conectores de entrada de video** — Este televisor está equipado con tres (3) tipos de conectores de entrada de video. Los conectores de entrada de video de componentes y entrada de S-video le permiten usar el reproductor de DVD o los dispositivos de video con una imagen de alta calidad.
- **Visualización en pantalla en 3 idiomas** — Puede seleccionar uno de tres idiomas: inglés, español o francés, para la programación en línea.

* Fabricado con licencia de Dolby Laboratories. "Dolby" y el símbolo de la doble D son marcas registradas de Dolby Laboratories.

Contenido de la caja

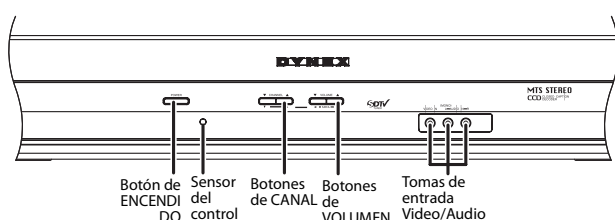
Verifique que la caja contenga lo siguiente:

- Televisor a color
- Control remoto
- Pilas AAA (2)
- *Guía del usuario*

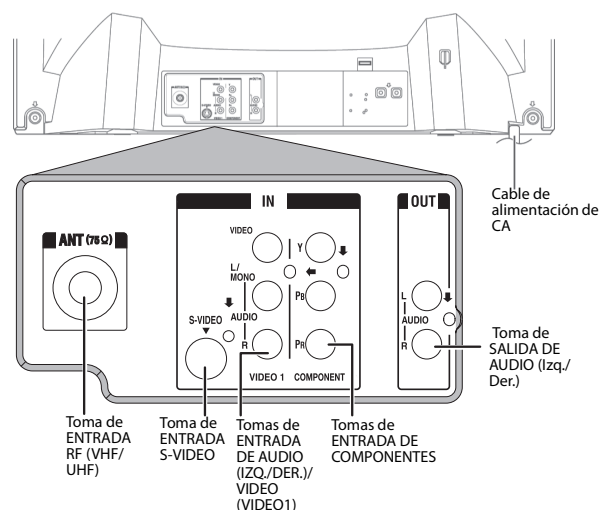
Si falta algún componente, comuníquese con Dynex inmediatamente. Guarde la caja y los materiales de empaque para que pueda guardar o transportar su televisor.

Partes y funciones

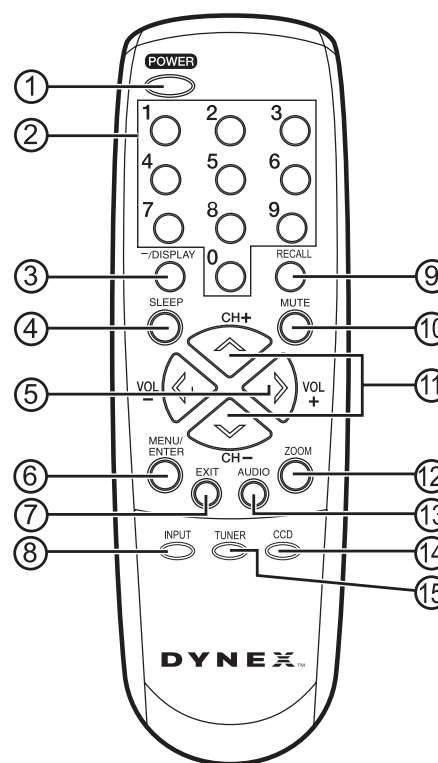
Vista frontal



Vista posterior



Control remoto



No.	Botón	Descripción
1	ENCENDIDO	Permite encender el televisor. Presione nuevamente para apagarlo.
2	Selección directa de canales (0-9)	Úselos para ir directamente a cualquier canal.

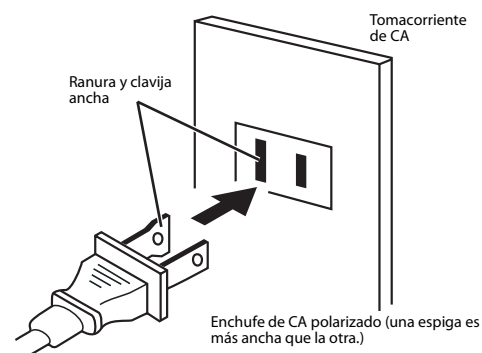
No.	Botón	Descripción
3	-/VISUALIZACIÓN	Cuando el televisor está recibiendo una señal analógica, presione este botón para mostrar en pantalla la información actual. Cuando el televisor está recibiendo una señal digital, presione este botón una vez para mostrar en pantalla la información digital. Presione este botón por segunda vez para mostrar la información analógica en pantalla. Para eliminar la visualización de la pantalla, presione nuevamente este botón. Este botón también es el botón - usado al seleccionar canales digitales.
4	APAGADO AUTOMÁTICO	Para configurar el televisor para que se apague después de un tiempo determinado, presione SLEEP (Apagado automático). El reloj cuenta progresivamente diez minutos cada vez que se presiona el botón, en el orden de 0, 10, 20...100, 110, 120 minutos. Después de programar el intervalo del temporizador de apagado automático, la pantalla desaparece y luego reaparece brevemente cada diez minutos para recordarle que el temporizador de apagado automático está funcionando. Para confirmar el ajuste del tiempo de apagado automático, presione SLEEP (Apagado automático) una vez y se mostrará brevemente el tiempo restante. Para cancelar el temporizador de apagado automático, presione SLEEP (Apagado automático) repetidamente hasta que la pantalla muestre 0.
5	VOL + / -	Presione + para subir el volumen. Presione - para bajar el volumen. Use estos botones para seleccionar el ajuste deseado durante la operación de la pantalla del menú.
6	MENÚ/ENTRAR	Permite mostrar la función de la pantalla del menú. Permite entrar o seleccionar operaciones durante el uso de la pantalla del menú.
7	SALIR	Presione para eliminar la pantalla del menú.
8	ENTRADA	Presione este botón para mostrar el menú SOURCE SELECTION (Selección de fuente) para seleccionar la fuente de entrada de video.
9	REGRESAR	Presione este botón para regresar al último canal visto. Presione nuevamente este botón para regresar al canal que estaba viendo anteriormente.
10	SILENCIAR	Para desactivar el sonido, presione este botón una vez. Se desactiva el sonido del televisor y aparece el símbolo MUTE (Silenciar) en la pantalla. La función de silenciamiento puede desactivarse presionando MUTE nuevamente o uno de los botones VOL + o -.

No.	Botón	Descripción
11	CANAL + / -	Presione CH + (arriba) para cambiar a un canal con un número más alto que se encuentre en la memoria. Presione CH - (abajo) para cambiar a un canal con un número más bajo que se encuentre en la memoria. Úselo para seleccionar el ajuste deseado durante la operación del menú.
12	ZOOM (Aumento)	Permite cambiar el tamaño de la imagen.
13	AUDIO	Presiónelo de nuevo para seleccionar el sonido deseado.
14	CCD (Subtítulos optativos)	Permite mostrar el menú CLOSED CAPTION (Subtítulos optativos)
15	TUNER (Sintonizador)	Permite seleccionar el modo analógico/digital.

Preparación de su televisor

Conexión de su televisor a la alimentación de CA

Use el cable de CA polarizado proporcionado para la operación con CA. Inserte el enchufe de CA en un tomacorriente estándar polarizado de 120 VCA 60 Hz.



Notas:

Nunca conecte el enchufe de CA a otro voltaje que no sea el especificado (120 V, 60 Hz). Utilice solamente el cable de alimentación suministrado. Si el cable de CA no entra en un tomacorriente de CA no polarizado, no lime ni corte la espiga. Es su responsabilidad conseguir un electricista para que reemplace el tomacorriente obsoleto.

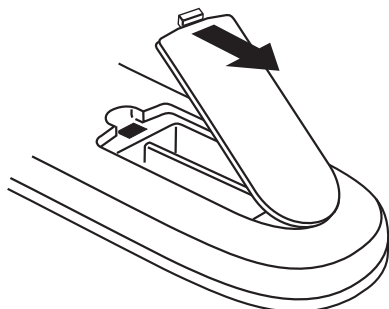
Si causa una descarga estática cuando se toca el televisor y éste deja de funcionar, desconéctelo del tomacorriente CA, luego conéctelo de nuevo. El televisor debería funcionar como normalmente.

Instalación de pilas en el control remoto

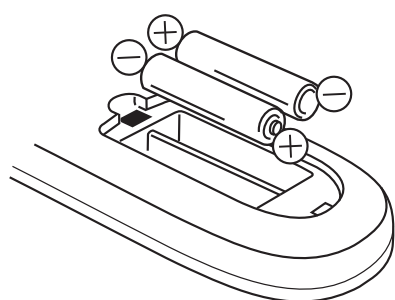
Antes de usar el control remoto, debe de instalar la pilas. Use dos pilas tamaño AAA. Las pilas pueden durar hasta un año dependiendo de cuanto se use el control remoto. Para obtener el mejor rendimiento, recomendamos reemplazar las pilas cada año, o cuando el control remoto empieza a funcionar erráticamente. No mezcle pilas gastadas y nuevas o de diferentes tipos.

Para instalar pilas en el control remoto:

- 1 Abra el compartimiento de las pilas.



- 2 Instale dos pilas AAA.



- 3 Vuelva a colocar la cubierta del compartimiento de las pilas.

Precauciones relacionadas a las pilas

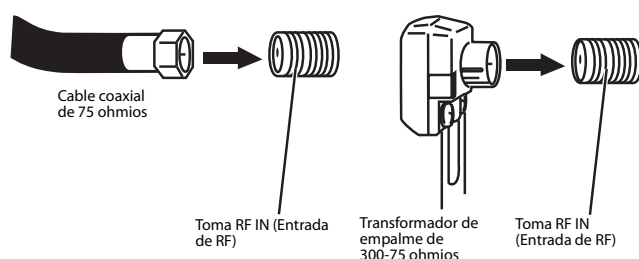
Siga estas precauciones cuando use pilas en este control remoto:

- Use sólo el tamaño y tipo de pilas especificados.
- Asegúrese de respetar la polaridad correcta al instalar las pilas, según lo indicado junto al compartimiento de las pilas. Pilas conectadas al revés pueden dañar el dispositivo.
- No combine diferentes tipos de pilas (tal como alcalinas y carbón-zinc), ni tampoco pilas gastadas con nuevas.
- Si el control remoto no se usará por un periodo de tiempo extendido, se deben extraer las pilas para evitar daños o lesiones causadas por el posible derrame del ácido de las mismas.
- No intente recargar pilas que no están diseñadas para ser recargadas. Estas pilas se pueden sobrecalentar y partirse (siga las indicaciones del fabricante de las pilas).

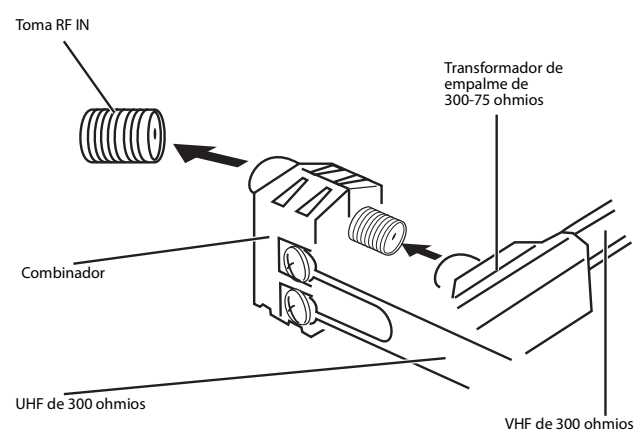
Conexión a una antena

Cuando se envía de fábrica, la opción del menú TV/CABLE está configurada en el modo **CABLE** (Televisión por cable). Si no usa TV por cable, configure esta opción de menú en la posición **TV**.

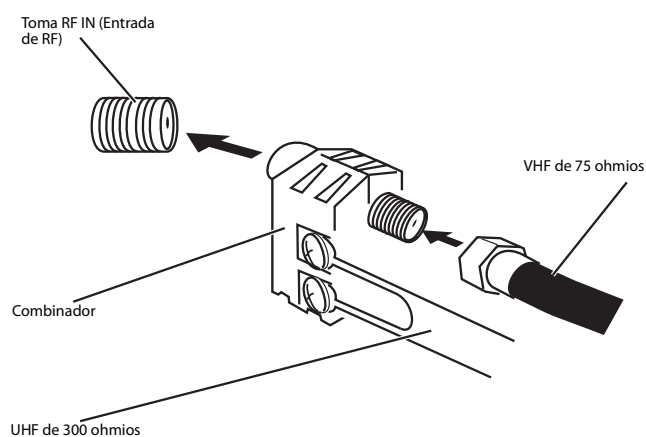
Si usa una antena para interiores o exteriores, siga las instrucciones correspondientes al sistema de antena. Si usa un servicio de televisión por cable, refiérase a "Connecting to cable television" on page 6.

Antena combinada VHF/UHF (cable individual de 75 ohmios o cable de dos conductores de 300 ohmios)**Conexión de una antena combinada de VHF/UHF con un cable de dos conductores:**

- 1 Conecte el cable de 75 ohmios proveniente de la antena de VHF/UHF combinada al toma RF IN.
- 2 Si su antena combinada VHF/UHF tiene un cable de dos conductores de 300 ohmios, quizás necesite usar un transformador de empalme de 300-75 ohmios.

Antena combinada de VHF/UHF (cables separados de VHF y UHF de dos conductores de 300 ohmios)**Conexión de una antena combinada de VHF/UHF con un cable de conductores separados:**

- 1 Conecte el cable de dos conductores de 300 ohmios de UHF al combinador (no suministrado).
- 2 Conecte el cable VHF de dos conductores de 300 ohmios a un transformador de empalme de 300-75 ohmios.
- 3 Conecte el transformador al combinador, luego conecte el combinador al toma RF IN.

Antenas separadas de VHF/UHF (cable de 75 ohmios de VHF y cable de dos conductores de 300 ohmios de UHF)**Conexión de antenas separadas para VHF/UHF**

- 1 Conecte el cable de 75 ohmios de VHF y el cable de dos conductores de 300 ohmios de UHF al combinador.
- 2 Conecte el combinador al Toma RF IN.

Conexión a televisión por cable

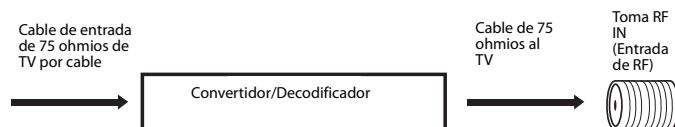
Este televisor tiene un amplio rango de sintonización y puede sintonizar la mayoría de canales de cable sin usar la caja convertidora de televisión por cable. Algunas compañías de televisión por cable ofrecen *canales de pago especial* en los cuales la señal está codificada. Para decodificar estas señales para una poder verlas normalmente es necesario usar un equipo decodificador generalmente proporcionado por la compañía de televisión por cable.

Para los abonados al servicio básico de televisión por cable



Para el servicio de cable básico que no requiere convertidor/caja decodificadora, conecte el cable coaxial de 75 ohmios al toma RF IN situado en la parte posterior del televisor.

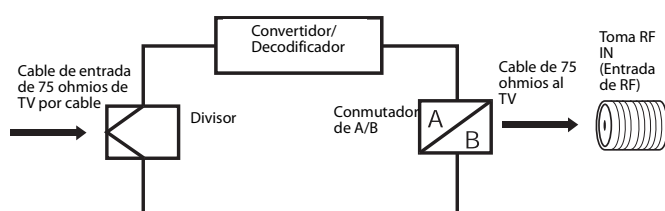
Para los abonados al servicio codificado de televisión por cable



Conexión del televisor a televisión por cable:

- 1 Si usted es un abonado al servicio de televisión por cable que requiere el uso de un convertidor o una caja decodificadora, conecte el cable coaxial de entrada de 75 ohmios al convertidor o a la caja decodificadora.
- 2 Usando otro cable coaxial de 75 ohmios, conecte el toma de salida del convertidor o de la caja decodificadora al toma RF IN del televisor. Siga las conexiones mostradas anteriormente.
- 3 Sintonice el televisor al canal de salida del convertidor o caja decodificadora (generalmente canal 3 ó 4) y use el convertidor o la caja decodificadora para seleccionar los canales.

Para los abonados al servicio básico sin codificación de televisión por cable con canales de pago especial codificados.



Si usted es un abonado a un servicio de televisión por cable en el cual los canales básicos están decodificados y los canales de pago especial requieren el uso de un convertidor/decodificador, quizás le convenga usar un divisor de señal y una caja de conexiones A/B (disponible a través de la compañía de televisión por cable o en una tienda de artículos electrónicos). Siga las conexiones mostradas anteriormente.

Con el conmutador en la posición **B**, puede sintonizar directamente cualquier canal sin codificación en su televisor. Con el conmutador en la posición **A**, sintonice su televisor en la salida del convertidor/decodificador (generalmente el canal 3 ó 4) y use el convertidor/decodificador para sintonizar los canales codificados.

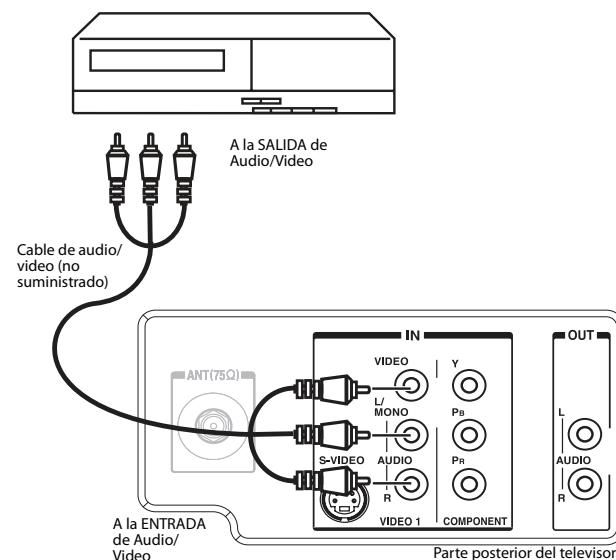
Conexión a otros equipos

La configuración exacta para interconectar diversos componentes de video y audio al televisor depende del modelo y de las características de cada componente. Revise el manual del propietario proporcionado con cada componente para ubicar las entradas y salidas de video y audio. Los siguientes diagramas de conexión se ofrecen como sugerencias. Es posible que tenga que modificarlos para alojar su conjunto particular de componentes. Los diagramas están diseñados para mostrar sólo las interconexiones de video y audio de componentes.

Selección de la fuente de entrada de video:

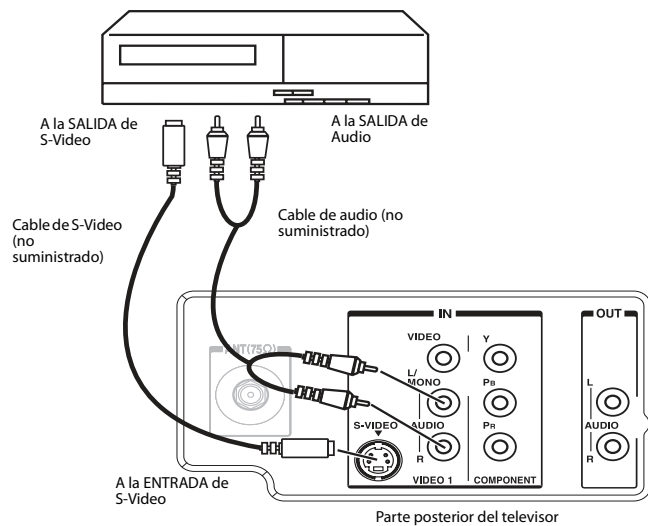
- 1 Presione **INPUT** (Entrada) para ver una señal de otro equipo conectado a su televisor, tal como un VCR o reproductor de DVD. Puede seleccionar ANT, VIDEO1, VIDEO2 (en el panel frontal) o COMPONENT dependiendo de los tomas de entrada usados para conectar sus equipos.
- 2 Presione **INPUT** (Entrada) en el control remoto para mostrar la fuente de señal actual. Presione los botones **CH +/-** o los botones 0 al 4 para seleccionar el modo deseado.

Conexión del televisor a un VCR



Conexión del televisor a un VCR con un cable de S-Video

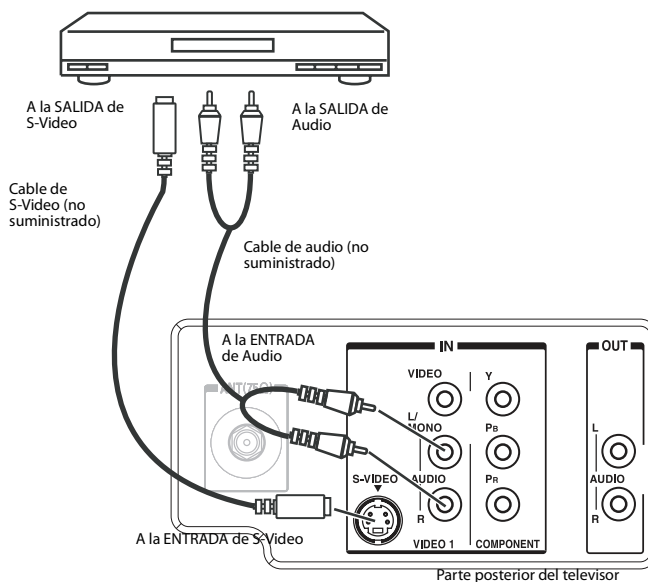
Si conecta un VCR con un cable de S-Video al toma S-VIDEO IN (Entrada S-Video) situado en la parte posterior del TV, también debe conectar los cables de audio a los conectores AUDIO IN (Entrada de audio) situados en la parte posterior del televisor. El cable de S-VIDEO sólo transmite la señal de video. La señal de audio es separada.



Nota:
Cuando el cable de S-video y el cable de video están conectados a sus respectivos tomas simultáneamente, el cable de S-video tiene prioridad sobre el cable de video.

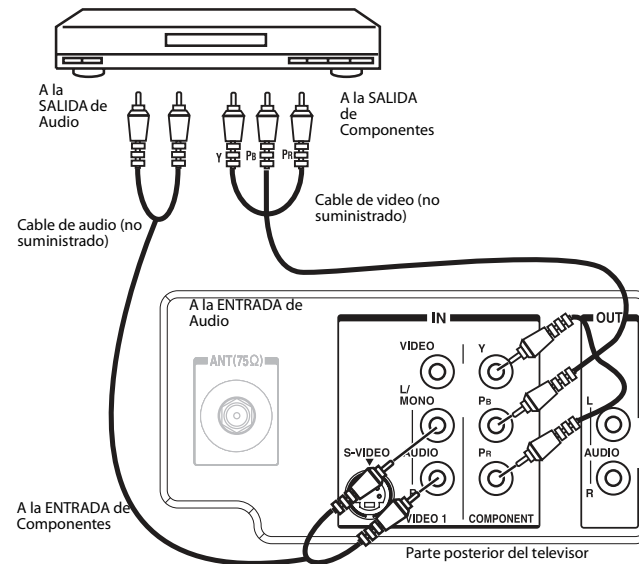
Conexión del televisor a un reproductor de DVD o receptor de satélite

Si su reproductor de DVD o receptor de satélite tiene un toma de salida de S-Video, conecte los cables cómo se muestra.



Conexión del televisor a un reproductor de DVD con video de componentes

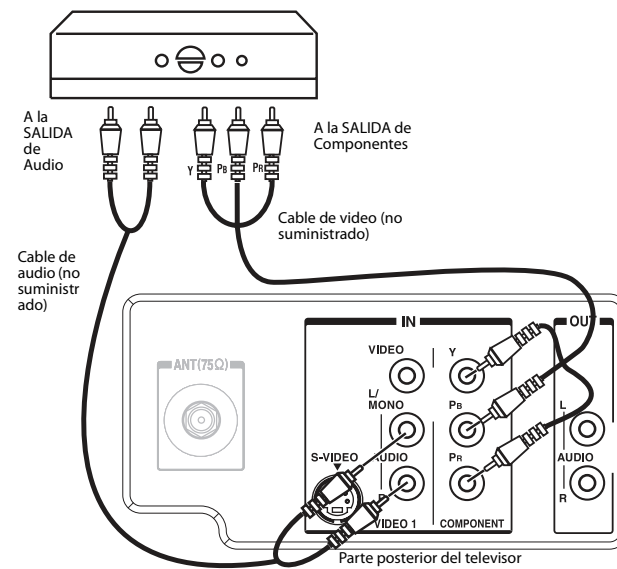
Si su reproductor de DVD tiene tomas de salida de video de componentes, conecte el televisor a un reproductor de DVD usando un cable de video de componentes. Esto puede mejorar considerablemente la calidad de la imagen y el rendimiento.



Nota:
Cuando este televisor está conectado a un equipo digital con salidas de video de componentes, sólo se puede mostrar una señal entrelazada 480i. Si aplica una señal 480p, 720p o 1080i a las entradas de video de componentes, aparecerá **COMPONENT** (Componentes) en una pantalla negra. Si el indicador **COMPONENT** (Componentes) aparece en la pantalla, configure el equipo para que envíe una señal 480i por la salida de componentes.

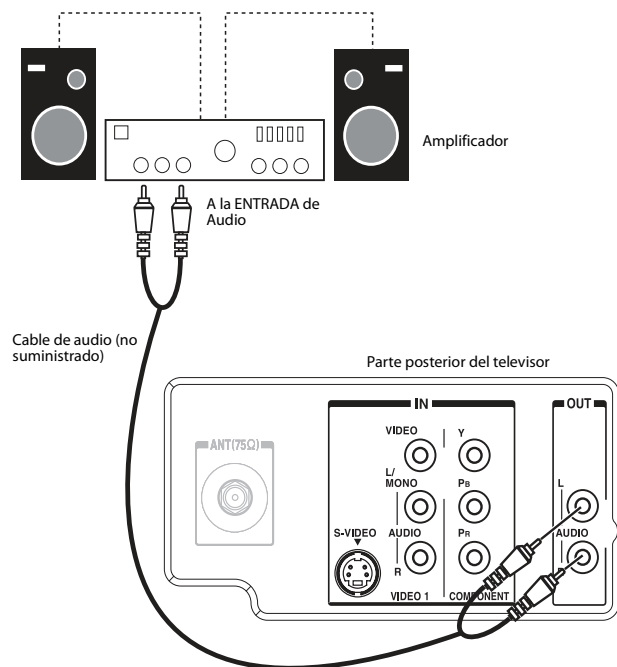
Conexión del televisor a un receptor de DTV o una caja de televisión por cable

Si va a conectar un receptor de DTV o una caja de TV por cable, conecte el televisor usando un cable de video de componentes.



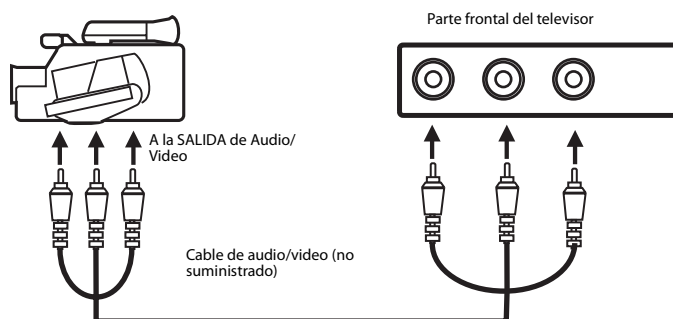
Conexión del televisor a un amplificador de AV

La configuración exacta para conectar diversos componentes de video y audio al televisor depende del modelo y de las características de cada componente. Revise el manual del propietario proporcionado con cada componente para ubicar las entradas y salidas de video y audio.



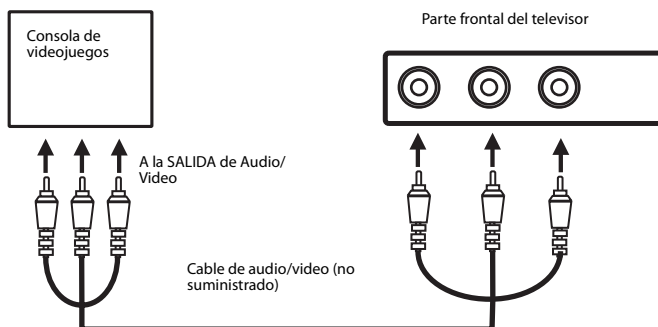
Conexión del televisor a una cámara de video

Para reproducir desde una cámara de video, conecte la cámara de video al televisor como se muestra.



Conexión del televisor a una consola de videojuegos

El televisor también puede usarse como equipo de visualización para muchos videojuegos. Sin embargo, debido a la amplia variedad de señales generadas por estos equipos y las subsiguientes variaciones de conexión requeridas, no se han incluido todas en los diagramas de conexión sugeridos. Para obtener información adicional, consulte el manual del propietario de cada componente.



Uso del menú

Para acceder al menú usando los botones del televisor:

- Presione **CH ▲** y **CH ▼** al mismo tiempo. Aparecerá la pantalla del menú.

Para acceder al menú usando el control remoto:

- Presione **MENU/ENTER** (Menú/Entrar). Aparecerá la pantalla del menú.

Para seleccionar un ajuste usando los botones del menú:

- Use los botones **CH ▲** y **CH ▼** y los botones **VOL ▲** y **VOL ▼**.

Para seleccionar un ajuste usando el control remoto:

- Use los botones **CH +** y **CH -** y los botones **VOL +** y **VOL -**.

Ajuste del idioma

Puede elegir entre tres idiomas diferentes (inglés, francés y español) para la visualización en pantalla.

Para seleccionar el idioma de los menús:

- 1 Presione **MENU/ENTER** (Menú/Entrar). Aparecerá la pantalla del menú.

Nota:

Si no se presiona ningún botón por más de 60 segundos, la pantalla del menú regresa automáticamente a la operación normal del televisor.

- 2 Presione **VOL+** y **VOL -** para seleccionar el menú **SETUP** (Configuración).
- 3 Presione **CH +** y **CH -** para seleccionar **LANGUAGE** (Idioma) y presione **VOL +**.
- 4 Presione **VOL+** y **VOL -** para seleccionar el idioma deseado:
 - **English (INGLÉS)**,
 - **French (FRANCÉS)**, o
 - **Spanish (ESPAÑOL)**.
- 5 Presione **EXIT** (Salir) para regresar a la pantalla normal.

Memorización de canales

Este televisor está equipado con una función de memoria de canales que permite saltar canales hacia arriba o hacia abajo al siguiente canal definido en la memoria. Antes de seleccionar los canales, éstos deben programarse en la memoria del televisor.

Para usar su televisor con una antena, seleccione el modo **TV** en la opción del menú **TV/CABLE**. Cuando se envía de la fábrica, esta opción del menú está en el modo **CABLE**.

Selección de TV o cable

Para seleccionar la entrada de TV o cable:

- 1 Presione **MENU/ENTER** (Menú/Entrar). Aparecerá la pantalla del menú.
- 2 Presione **VOL+** y **VOL -** para seleccionar el menú **SETUP** (Configuración).
- 3 Presione **CH+** y **CH -** para seleccionar **TV/CABLE**.
- 4 Presione **VOL +** y **VOL -** para seleccionar **TV** o **CABLE**.
 - **TV** — Canales VHF/UHF
 - **CABLE** — Canales de televisión por cable
- 5 Presione **EXIT** (Salir) para regresar a la pantalla normal.

Nota:

Puede tomar varios segundos para que aparezca la imagen de un canal digital en la pantalla después de haberlo seleccionado.

Tabla de TV por cable

La siguiente tabla es típica para muchas asignaciones de canales de sistemas de TV por cable. El número en la parte superior es el número en el televisor. El número o letra en la parte inferior es el canal correspondiente de TV por cable.

										14	15	16	17	18	19	20	21	22
										A	B	C	D	E	F	G	H	I
23	24	25	26	27	28	29	30	31	32	33	34	35	36	37	38	39	40	
J	K	L	M	N	O	P	Q	R	S	T	U	V	W	AA	BB	CC	DD	
41	42	43	44	45	46	47	48	49	50	51	52	53	54	55	56	57	58	
EE	FF	GG	HH	II	JJ	KK	LL	MM	NN	OO	PP	QQ	RR	SS	TT	UU	VV	
59	60	61	62	63	64	65	66	67	68	69	70	71	72	73	74	75	76	
WW	AAA	BBB	CCC	DDD	EEE	FFF	GGG	HHH	III	JJJ	KKK	LLL	MMM	NNN	OOO	PPP	QQQ	
77	78	79	80	81	82	83	84	85	86	87	88	89	90	91	92	93	94	
RRR	SSS	TTT	UUU	VVV	WWW	XXX	YYY	ZZZ	86	87	88	89	90	91	92	93	94	
95	96	97	98	99	100	101	102	103	104	105	106	107	108	109	110	111	112	
A-5	A-4	A-3	A-2	A-1	100	101	102	103	104	105	106	107	108	109	110	111	112	
113	114	115	116	117	118	119	120	121	122	123	124	125	01					
113	114	115	116	117	118	119	120	121	122	123	124	125	5A					

Sintonización memorizada automática

La memorización de canales se realiza de la mejor forma durante las horas pico de la noche, ya que más canales transmiten señales digitales a esas horas. La memorización de canales sólo se puede realizar mientras una estación transmite una señal digital para poder grabar el canal en la memoria.

Si no está seguro de los canales digitales disponibles en su área, visite www.antennaweb.org para encontrar una lista basada en su dirección o su código postal.

Para memorizar automáticamente los canales:

- 1 Presione **MENU/ENTER** (Menú/Entrar). Aparecerá la pantalla del menú.
- 2 Presione **VOL +** y **VOL -** para seleccionar el menú **SETUP** (Configuración) y presione **CH +** y **CH -** para seleccionar **AUTO CH MEMORY** (Memorización automática de canales).
- 3 Presione **VOL+**. El televisor comenzará a memorizar todos los canales disponibles en su área.

Después de completar la sintonización analógica, la sintonización digital comenzará automáticamente. Dependiendo de la condición de la recepción, puede tomar de 15 a 30 minutos para completar la memorización de los canales de cable digital. Dependiendo de la condición de la recepción, puede ser que el indicador de barra no avance por varios minutos.

Nota:

*Algunos canales nuevos pueden agregarse. Debe realizar periódicamente el procedimiento **AUTO CH MEMORY** (Memorización automática de canales).*

Agregar y borrar canales

Para agregar o borrar canales analógicos:

- 1 Presione **TUNER** (Sintonizador) para seleccionar el modo analógico.
- 2 Presione **MENU/ENTER** (Menú/Entrar). Aparecerá la pantalla del menú.
- 3 Presione **VOL +** y **VOL -** para seleccionar el menú **OPTION** (Opción) y presione **CH +** y **CH -** para seleccionar **ADD/DELETE** (Agregar/Borrar).
- 4 Presione **VOL+**. Aparece el menú **ADD/DELETE** (Añadir/eliminar).
- 5 Seleccione el canal deseado que se va a memorizar o eliminar usando **CH +** y **CH -**.
- 6 Presione **VOL +** y **VOL -** para seleccionar **ADD** (Agregar) o **DELETE** (Borrar).
- 7 Repita los pasos 5-6 para los otros canales que desea agregar o borrar.
- 8 Presione **EXIT** (Salir) para regresar a la pantalla normal.

Para agregar o borrar canales digitales:

- 1 Presione **TUNER** (Sintonizador) para seleccionar el modo digital.

- 2 Presione **MENU/ENTER** (Menú/Entrar). Aparecerá la pantalla del menú.
- 3 Presione **VOL +** y **VOL -** para seleccionar el menú **OPTION** (Opción) y presione **CH +** y **CH -** para seleccionar **DIGITAL SETUP** (Configuración digital).
- 4 Presione **VOL+**. Aparece el menú **DIGITAL SETUP** (Configuración digital).
- 5 Presione **CH +** y **CH -** para seleccionar **ADD/DELETE** (Agregar/Borrar) y presione **VOL +**. Aparece el menú **ADD/DELETE (DTV)** [Agregar/Borrar (DTV)].
- 6 Presione **CH +** y **CH -** para seleccionar **ADD/DELETE** (Agregar/Borrar) y presione **VOL +**.
- 7 Seleccione el canal deseado que se va a memorizar o eliminar usando **CH +** y **CH -**.
- 8 Presione **VOL +** y **VOL -** para seleccionar **ADD** (Agregar) o **DELETE** (Borrar).
- 9 Repita los pasos 6-8 para los otros canales que desea agregar o borrar y presione **ENTER/ENTER** (Menú/Entrar).
- 10 Presione repetidamente **MENU/ENTER** (Menú/Entrar) para regresar a la pantalla normal.

Para agregar un canal digital que está viendo:

- 1 Presione **TUNER** (Sintonizador) para seleccionar el modo digital. Use los botones numéricos para seleccionar directamente el canal digital que desea agregar.
- 2 Presione **MENU/ENTER** (Menú/Entrar). Aparecerá la pantalla del menú.
- 3 Presione **VOL +** y **VOL -** para seleccionar el menú **OPTION** (Opción) y presione **CH +** y **CH -** para seleccionar **DIGITAL SETUP** (Configuración digital).
- 4 Presione **VOL -**. Aparece el menú **DIGITAL SETUP** (Configuración digital).
- 5 Presione **CH +** y **CH -** para seleccionar **ADD/DELETE** (Agregar/Borrar) y presione **VOL -**. Aparece el menú **ADD/DELETE (DTV)** [Agregar/Borrar (DTV)].
- 6 Presione **CH +** y **CH -** para seleccionar **ADDING CHANNEL** (Agregar canal) y presione **VOL -**.
- 7 Presione repetidamente **MENU/ENTER** (Menú/Entrar) para regresar a la pantalla normal.
- 8 Repita los pasos 1-7 para los otros canales que desea agregar directamente.

Uso del televisor

Notas:

Si selecciona un canal que no tiene señal de transmisión, el sonido se silencia automáticamente.

Si una estación que está viendo detiene la transmisión, el televisor automáticamente se apaga después de 15 minutos.

Para usar el televisor:

- 1 Presione **POWER** (Encendido) para encender el televisor.
- 2 Ajuste el nivel del volumen presionando **VOL ▲** y **VOL ▼** en el televisor o **VOL +** y **VOL -** en el control remoto. El nivel de volumen se indica en la pantalla mediante barras de color verde. A medida que aumenta el nivel del volumen, aumenta el número de barras. Si se baja el volumen, también disminuye el número de barras de color verde.
- 3 Configure la opción del menú **TV/CABLE** en la posición apropiada (refiérase a "Selecting TV or cable" on page 9).
- 4 Presione los botones de selección directa de canales para seleccionar el canal.

Selección de canales analógicos

Cuando la opción del menú TV/CABLE se encuentra en la posición **TV**, todos los canales se pueden seleccionar instantáneamente usando dos botones.

Por ejemplo, para seleccionar el canal 2, presione **0** y luego **2**. Si sólo presiona **2**, la selección de canal se retrasará unos cuantos segundos.

Para canales del 10 para arriba, presione los dos dígitos en orden.

Cuando la opción del menú TV/CABLE se encuentra en la posición **CABLE** los canales se pueden seleccionar cómo se indica a continuación:

Canales	Presione
1-9	Presione 0 dos veces, luego 1-9 según sea necesario. Ejemplo: Para seleccionar el canal 2, presione 0 0 2.
10-12	Presione 0, luego los 2 dígitos restantes. Por ejemplo, para seleccionar el canal 12, presione 0 1 2.
13-99	Presione los 2 dígitos en orden. Por ejemplo, para seleccionar el canal 36, presione 3 6.
100-125	Presione los 3 dígitos en orden. Por ejemplo, para seleccionar el canal 120, presione 2 1 0.

Selección de canales digitales

Para seleccionar canales digitales, presione el número de canal en orden. Cuando el número de canal contiene un -, presione los primeros tres dígitos y luego presione **-/DISPLAY** (-/Visualización) seguido por los tres dígitos restantes.

Por ejemplo, para seleccionar el canal 015-001, presione **0 1 5 - 0 0 1**.

Note los siguiente:

- Si se selecciona un canal con sólo contenido de audio, se mostrará "AUDIO ONLY" (Sólo audio) en la pantalla.
- Si se selecciona un canal con una señal digital débil, se mostrará "DIGITAL CHANNEL SIGNAL STRENGTH IS LOW" (La intensidad de la señal del canal digital es baja) en la pantalla.
- Si el canal digital tiene una versión analógica, podrá ver el mismo canal en modo analógico.
- Si se selecciona un canal al cual no se ha suscrito, se mostrará "DIGITAL CHANNEL IS ENCRYPTED" (El canal digital está codificado) en la pantalla.

TV	Cable
VHF 2-13	VHF 2-13
UHF 14-69	STD/HRC/IRC 14-36 (A) (W) 37-59 (AA) (WW) 60-85 (AAA) (ZZZ) 86-94 (86) (94) 95-99 (A-5) (A-1) 100-125 (100) (125) 01 (5A)

Búsqueda de canales

Para buscar el siguiente canal:

- Presione y libere los botones **CH +** y **CH -**. El canal se detiene automáticamente en el siguiente canal establecido en la memoria.

Para una correcta operación, antes de buscar canales, estos deben establecerse en la memoria. Refiérase a "Memorizing channels" on page 9.

Visualización de información

Nota:

La pantalla regresa a la operación normal de TV después de 10 segundos.

Para ver la información sobre la programación:

- 1 Presione **-/DISPLAY** (-/Visualización) para ver la información actual en la pantalla.

Cuando el televisor recibe una señal digital, aparecerá la información digital.

- Nombre de programa de transmisión
- Nombre de estación
- Tiempo restante
- Idioma de audio
- Nombre del programa
- Clasificación de V-Chip
- Marca de V-Chip

Cuando el televisor recibe una señal analógica, **-/DISPLAY** (-/Visualización) muestra sólo información analógica.

- 2 Presione **-/DISPLAY** (-/Visualización) de nuevo. Aparece la información analógica:

- Reloj
- Número de canal o modo de video seleccionado
- Etiqueta de canal (si está predefinida)
- Estado de audio estéreo o SAP (programa de audio secundario)
- Tamaño de imagen

- 3 Presione **-/DISPLAY** (-/Visualización) nuevamente para borrar la pantalla de información.

Para ver el canal anterior

El botón **RECALL** (Regresar) le permite regresar al último canal visto. Presione **RECALL** (Regresar) nuevamente para regresar al último canal que estaba viendo.

Silenciamiento del volumen

Para silenciar el volumen:

- 1 Presione **MUTE** (Silenciar) para desactivar el sonido. Se desactiva el sonido del televisor y aparece **MUTE** (Silenciar) en la pantalla.
- 2 Vuelva a activar el sonido presionando **MUTE** (Silenciar) nuevamente o presionando **VOL +** o **VOL -**.

Uso del apagado automático

Para ajustar la función de apagado automático:

Para configurar el televisor para que se apague después de un tiempo determinado, presione **SLEEP** (Apagado automático) en el control remoto. El reloj cuenta progresivamente diez (10) minutos cada vez que se presiona el botón **SLEEP** [Apagado automático] (0, 10, 20...100, 110, 120).

Después de programar el intervalo del temporizador de apagado automático, el indicador aparece brevemente cada diez minutos para recordarle que el temporizador de apagado automático está funcionando. Para confirmar el ajuste del temporizador de apagado automático, presione **SLEEP** (Apagado automático) y el tiempo restante aparecerá por unos segundos. Para cancelar el temporizador de apagado automático, presione **SLEEP** repetidamente hasta que la pantalla muestre 0.

Configuración del V-Chip

Puede establecer limitaciones por edad para evitar que los niños vean o escuchen escenas violentas o imágenes que usted desea excluir. La restricción se aplica a las clasificaciones de TV y de películas, si estos datos son transmitidos. Usted puede establecer esta restricción por separado. Para usar la función V-Chip, debe establecer una contraseña.

Notas:

La función V-Chip se activa sólo en los programas y fuentes de entrada que tienen la señal de clasificación.

Puede ser que tarde varios minutos en completar la configuración inicial del V-Chip.

Para no olvidar la contraseña, escríbala y guárdela en un lugar seguro. Sin embargo, si se le olvida la contraseña,

--Ajuste el volumen al mínimo y presione el botón de bajar el volumen en el televisor y el botón 0 en el control remoto al mismo tiempo.

--Manténgalos presionados por más de dos segundos y restaure la contraseña.

Establecimiento de una contraseña

Para establecer una contraseña:

- 1 Presione **MENU/ENTER** (Menú/Entrar). Aparecerá la pantalla del menú.
- 2 Presione **VOL+** y **VOL-** para seleccionar el menú **OPTION** (Opción).
- 3 Presione **CH +** y **CH -** para seleccionar **V-CHIP**.
- 4 Presione **VOL+**. Aparecerá la pantalla para ingresar la contraseña.
- 5 Seleccione e ingrese una contraseña (4 dígitos), usando los botones numéricos (0-9) y presione **MENU/ENTER** (Menú/Entrar).
- 6 Ingrese la misma contraseña de nuevo para confirmarla y presione **MENU/ENTER** (Menú/Entrar) para establecer la contraseña.
- 7 Presione **EXIT** (Salir) para regresar a la pantalla normal.

Configuración del V-Chip

Para ajustar el V-Chip:

- 1 Presione **MENU/ENTER** (Menú/Entrar). Aparecerá la pantalla del menú.
- 2 Presione **VOL+** y **VOL-** para seleccionar el menú **OPTION** (Opción).
- 3 Presione **CH +** y **CH -** para seleccionar **V-CHIP**.
- 4 Presione **VOL+**. Aparecerá la pantalla para ingresar la contraseña.
- 5 Ingrese su contraseña de 4 dígitos usando los botones numéricos (0-9) y presione **MENU/ENTER** (Menú/Entrar). Aparecerá el menú **V-CHIP**.
- 6 Presione **CH +** y **CH -** para seleccionar **V-CHIP SET** (Configurar V-Chip) y presione **VOL +**. Aparecerá el menú **V-CHIP SET** (Configurar V-Chip).
- 7 Presione **CH +** y **CH -** para seleccionar **TV RATING**(Clasificación de TV) y presione **VOL+** y **VOL-** para mostrar la clasificación deseada.
 - **OFF** (Desactivado) — **TV RATING** (Clasificación de TV) no está configurada.
 - **TV-Y** — Todos los niños
 - **TV-Y7** — Niños de 7 años y mayores
 - **TV-G** — Audiencia general
 - **TV-PG** — Guía de los padres
 - **TV-14** — Niños de 14 años y mayores
 - **TV-MA** — Niños de 17 años y mayores

Cuando seleccione TV-Y7, TV-PG, TV-14 o TV-MA, presione **-/DISPLAY** (-/Visualización) para definir más detalladamente la clasificación. Presione **CH +** y **CH -** para seleccionar la clasificación que desea. Presione **VOL +** y **VOL -** para seleccionar **ON** (Activado) u **OFF** (Desactivado).
- 8 Presione **CH +** y **CH -** para seleccionar **MOVIE RATING**(Clasificación de películas) y presione **VOL +**. Aparecerá el menú **RATING** (Clasificación).
- 9 Presione **CH +** y **CH -** para seleccionar la clasificación y presione **VOL +** y **VOL -** para seleccionar **ON** (Activada) u **OFF** (Desactivada) para cada clasificación.
 - **G** — Todas las edades
 - **PG** — Guía de los padres
 - **PG-13** — Guía de los padres para niños menores de 13 años
 - **R** — Menores de 17 años, guía de los padres recomendada
 - **NC-17** — Jóvenes de 17 años y mayores
 - **X** — Sólo para adultos
- 10 Presione **MENU/ENTER** (Menú/Entrar) para regresar al menú **V-CHIP** y presione **CH +** y **CH -** para seleccionar **V-CHIP**.

11 Presione **VOL +** y **VOL -** para seleccionar **ON** (Activado). Sus selecciones ahora están establecidas en la memoria.

12 Presione **EXIT** (Salir) para regresar a la pantalla normal.

Para ver un programa protegido

Para ver un programa bloqueado por la función V-Chip:

- 1 Presione **MUTE** (Silenciar).
- 2 Ingrese la contraseña y presione **MENU/ENTER** (Menú/Entrar). Después de ingresar la contraseña correctamente, la protección se anula temporalmente. Si se apaga el televisor o si se cambia de canal, se reactiva la restricción V-Chip.

Cambio de la contraseña

Para cambiar la contraseña:

- 1 Presione **MENU/ENTER** (Menú/Entrar). Aparecerá la pantalla del menú.
- 2 Presione **VOL +** y **VOL -** para seleccionar el menú **OPTION** (Opción) y presione **CH +** y **CH -** para seleccionar **V-CHIP**.
- 3 Presione **VOL +** para mostrar el modo de ingreso de contraseña. Use los botones de numéricos (0-9) para ingresar su contraseña y presione **MENU/ENTER** (Menú/Entrar). Aparecerá el menú **V-CHIP**.
- 4 Presione **CH +** y **CH -** para seleccionar **CHANGE PASSWORD** (Cambiar contraseña) y presione **VOL +** para mostrar una pantalla de contraseña en blanco.
- 5 Ingrese una contraseña nueva usando los botones numéricos (0-9) y presione **MENU/ENTER** (Menú/Entrar).
- 6 Ingrese la misma contraseña de nuevo para confirmar y presione **MENU/ENTER** (Menú/Entrar).
- 7 Presione **EXIT** (Salir) para regresar a la pantalla normal.

Descarga del sistema de clasificación adicional de V-Chip

Cómo un suplemento al sistema de clasificación estándar de V-Chip, su televisor está equipado para descargar un sistema de clasificación adicional, si tal sistema se ofrece en el futuro.

Notas:

Solamente puede descargar el sistema de clasificación adicional de V-Chip cuando su televisor recibe una señal digital.

Cuando descargue el sistema de clasificación adicional, la descarga puede tomar un buen tiempo.

La información de clasificación de V-Chip y el sistema no están definidos o controlados por el televisor ni por Dynex.

El sistema de clasificación de V-Chip que se puede descargar es una tecnología en evolución; por lo tanto, su disponibilidad, contenido y formato pueden variar.

El sistema de clasificación estándar de V-Chip se encuentra disponible aunque su televisor no reciba una señal digital y bloqueará los programas tanto analógicos como digitales. Para configurar el bloqueo de programas usando el sistema de clasificación estándar de V-Chip, seleccione V-CHIP en el paso 5.

Para descargar el sistema de clasificación adicional de V-Chip (cuando esté disponible):

- 1 Presione **TUNER** (Sintonizador) para seleccionar el modo digital.
- 2 Presione **MENU/ENTER** (Menú/Entrar). Aparecerá la pantalla del menú.
- 3 Presione **VOL +** y **VOL -** para seleccionar el menú **OPTION** (Opción) y presione **CH +** y **CH -** para seleccionar **V-CHIP**.
- 4 Presione **VOL +** para mostrar el modo de ingreso de contraseña. Use los botones de numéricos (0-9) para ingresar su contraseña y presione **MENU/ENTER** (Menú/Entrar). Aparecerá el menú **V-CHIP**.

- 5 Con el televisor recibiendo una señal digital, presione **VOL +** y **VOL -** para seleccionar **V-CHIP SET (DTV)**, [**Configuración de V-Chip (DTV)**] y presione **CH -**.
- 6 Si el televisor no tiene almacenado el sistema de clasificación adicional, éste comenzará a descargar el nuevo sistema de clasificación. Puede tomar un buen tiempo para descargarlo completamente.
- 7 Presione **CH +** y **CH -** para seleccionar **RRT SET** (Configuración de RRT) y presione **VOL +**.
- 8 Ajuste sus preferencias para los límites de clasificación de contenido del sistema de clasificación adicional.

Ajuste del reloj

Nota:

Después de una interrupción o desconexión de la alimentación eléctrica, se perderán los ajustes del reloj. Cuando esto suceda, restaure la hora actual.

Para ajustar el reloj:

- 1 Presione **MENU/ENTER** (Menú/Entrar) y presione **VOL +** y **VOL -** para seleccionar **SETUP** (Configuración).
- 2 Presione **CH +** y **CH -** para seleccionar **CLOCK SET** (Ajuste del reloj) y presione **VOL +** y **VOL -**. Aparece el menú **CLOCK SET** (Ajuste del reloj).
- 3 Presione **VOL +** y **VOL -** para ajustar **MONTH** (Mes) y presione **VOL +**.
- 4 Ajuste **DAY** (Día), **YEAR** (Año) y **TIME** (Hora) cómo en el paso 3.
- 5 Después de ajustar la fecha y la hora, el reloj comenzará a funcionar automáticamente.
- 6 Presione **EXIT** (Salir) para regresar a la pantalla normal.

Establecimiento del tamaño de la imagen

Puede ver programas con formato 480i en tres tamaños de imagen — 4:3, 16:9 y ZOOM.

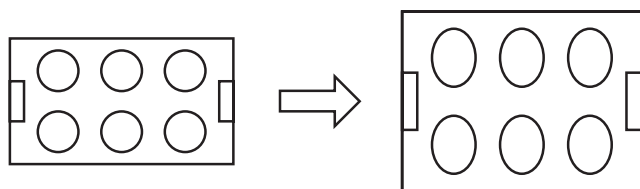
Puede cambiar el tamaño de la imagen presionando **PICTURE SIZE** (Tamaño de imagen) en el control remoto.

- Si recibe una señal analógica, puede seleccionar el tamaño de imagen 4:3 ó 16:9.
- Si recibe una señal digital 4:3, sólo puede seleccionar el tamaño de imagen 4:3.
- Si recibe una señal digital 16:9, puede seleccionar 4:3, 16:9 o ZOOM.



Tamaño de imagen 4:3

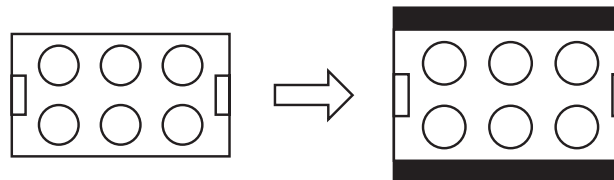
Para llenar la pantalla, los bordes superior e inferior están extendidos más ampliamente, mientras que el centro de la imagen permanece cerca de la relación anterior.



Si recibe un programa con formato 4:3, la imagen se muestra en su proporción de formato original.

Tamaño de imagen 16:9

Esta imagen muestra el tamaño 16:9 estándar con barras negras en la parte superior e inferior.



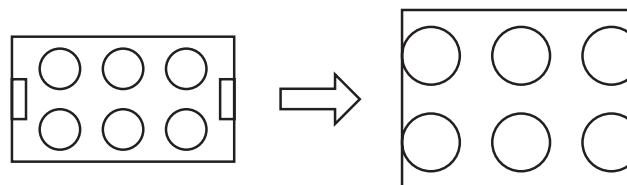
Si recibe un programa con formato 4:3, la imagen aparece con barras negras en la parte superior e inferior y extendida a lo ancho.

Nota:

Si una barra negra permanece en la pantalla por largos periodos de tiempo, la imagen puede fijarse permanentemente en la pantalla y causar imágenes fantasma sutiles pero permanentes. Nunca deje el televisor encendido periodos de tiempo extendido mientras muestra estas imágenes.

Tamaño de imagen ZOOM [Aumentada] (para programas con formato 16:9)

La imagen completa se amplía uniformemente — se extiende por igual a lo ancho y a lo largo (retiene su proporción original). Los bordes derecho e izquierdo de la imagen pueden estar ocultos.



Ajuste de la imagen

Nota:

El valor predefinido del **CONTRASTE** se ajusta al máximo en la fábrica.

Para ajustar la imagen:

- 1 Presione **MENU/ENTER** (Menú/Entrar) y presione **VOL +** y **VOL -** para seleccionar **PICTURE** (Imagen).
- 2 Presione **CH +** y **CH -** para seleccionar el elemento que desea ajustar.
- 3 Presione **VOL +** y **VOL -** para ajustar el valor.

Elemento	<	>
BRIGHTNESS (Brillo)	disminuir	aumentar
CONTRAST (Contraste)	disminuir	aumentar
COLOR	color más pálido	color más brillante
TINT (Tono)	tinte rojizo	tinte verdoso
SHARPNESS (Nitidez)	imagen más suave	imagen más clara

- 4 Después de modificar el ajuste deseado, presione **EXIT** (Salir) para regresar a la pantalla normal.

Restablecimiento de los ajustes de la imagen

La función RESET (Restablecer) regresa los ajustes de calidad de la imagen a los siguientes ajustes de fábrica:

Elemento	Parámetro
BRIGHTNESS (Brillo)	centro (0)
CONTRAST (Contraste)	máx. (32)
COLOR	centro (0)
TINT (Tono)	centro (0)
SHARPNESS (Nitidez)	centro (0)

Para restablecer los ajustes de la imagen:

- 1 Presione **MENU/ENTER** (Menú/Entrar) y presione **CH + y CH -** para seleccionar el menú **PICTURE** (Imagen).
- 2 Presione **CH + y CH -** para seleccionar **RESET** (Restablecer) y presione **VOL +**.

Nota:

Cuando usted presiona **RESET** (Restablecer) en el menú **PICTURE** (Imagen), los ajustes de la imagen regresan a los valores predefinidos en la fábrica.

Control de los subtítulos optativos

Este televisor tiene la capacidad de decodificar y mostrar programas de televisión con subtítulos optativos. Los subtítulos optativos muestran texto en la pantalla para las personas con dificultad auditiva, o traducen y muestran el texto en otro idioma.

Subtítulos optativos: Este modo de subtítulos optativos muestra texto en la pantalla en inglés o en otro idioma. Generalmente, los subtítulos optativos en inglés se transmiten en C1 y los subtítulos optativos en otros idiomas se transmiten en C2.

Text (Texto): El modo de subtítulos optativos de texto generalmente llena la mitad de la pantalla con información de programación u otro tipo de información.

Notas:

Si el programa o video seleccionado no tiene subtítulos optativos, estos no aparecerán en la pantalla.

Si el texto no está disponible en su área de visualización, puede aparecer un rectángulo negro en la pantalla. Si esto sucede, seleccione **OFF** (Desactivados) en la función **Closed Captions** (Subtítulos optativos).

Cuando seleccione subtítulos optativos, estos aparecen con un retardo de aproximadamente diez segundos.

Si no se recibe la señal de subtítulos optativos, estos no aparecen, pero el televisor permanece en el modo de subtítulos optativos.

De vez en cuando pueden aparecer errores de ortografía o caracteres inusuales durante la transmisión con subtítulos optativos. Esta es una característica normal de los subtítulos optativos, especialmente con programas en vivo. Esto se debe a que durante los programas en vivo, los subtítulos optativos también se ingresan en vivo. Estas transmisiones no permiten tiempo para edición.

Cuando se muestran subtítulos optativos, pueden verse visualizaciones en pantalla cómo volumen y silenciamiento, pero estos pueden interferir con los subtítulos optativos.

Algunos sistemas de televisión por cable y sistemas de protección de copia pueden interferir con la señal de los subtítulos optativos.

Si usa una antena de interiores o si la recepción de televisión es deficiente, el decodificador de subtítulos optativos quizás no aparezca o puede aparecer con caracteres extraños o palabras con errores de ortografía. En este caso, ajuste la antena para una mejor recepción o use una antena de exteriores.

Para activar los subtítulos optativos (modo analógico):

- 1 Sintonice el televisor en el programa deseado en el modo analógico.

- 2 Presione **MENU/ENTER** (Menú/Entrar) y presione **VOL + y VOL -** para mostrar el menú **OPTION** (Opción).
- 3 Presione **CH + y CH -** para seleccionar **CLOSED CAPTION** (Subtítulos optativos). Presione **VOL -** para mostrar el menú **CLOSED CAPTION** (Subtítulos optativos).

Notas:

Dependiendo de la señal de transmisión, algunos subtítulos optativos analógicos funcionan con una señal de transmisión digital.

Esta pantalla puede mostrarse presionando **CCD** (Subtítulos optativos).

- 4 Presione **CH + y CH -** para seleccionar el modo de subtítulos optativos deseado y presione **MENU/ENTER** (Menú/Entrar).
 - Para ver los subtítulos, seleccione C1 o C2. CC1 muestra una traducción del idioma primario en su área. Si el programa o video seleccionado no tiene subtítulos optativos, éstos no aparecerán en la pantalla.
 - Para ver texto, seleccione T1 o T2. Si el texto no está disponible en su área de visualización, puede aparecer un rectángulo negro en la pantalla. Si esto sucede, seleccione **OFF** (Desactivados) en la función **Closed Caption** (Subtítulos optativos).
 - Para desactivar la función de subtítulos optativos, seleccione **OFF** (Desactivado).
- 5 Presione **EXIT** (Salir) para regresar a la pantalla normal.

Para activar los subtítulos optativos (modo digital):

- 1 Sintonice el televisor en el programa deseado en el modo digital.
- 2 Presione **MENU/ENTER** (Menú/Entrar) y presione **VOL + y VOL -** para mostrar el menú **OPTION** (Opción).
- 3 Presione **CH + y CH -** para seleccionar **CLOSED CAPTION** (Subtítulos optativos). Presione **VOL +** para mostrar el menú **CLOSED CAPTION** (Subtítulos optativos).
- 4 Presione **CH + y CH -** para seleccionar **ANALOG CAPTION** (Subtítulos optativos analógicos) o **DIGITAL CAPTION** (Subtítulos optativos digitales).
- 5 Presione **VOL + y VOL -** para seleccionar el modo de subtítulos optativos deseado y presione **MENU/ENTER** (Menú/Entrar).
- 6 Presione **EXIT** (Salir) para regresar a la pantalla normal.

Ajuste de los subtítulos optativos

Los subtítulos optativos están predefinidos de fábrica. Sin embargo, puede ajustarlos individualmente. Esta función está diseñada únicamente para personalizar los subtítulos optativos digitales.

Nota:

No seleccione el mismo color para **TEXT COLOR** (Color del texto) y **BACKGROUND COLOR** (Color del fondo) o no podrá ver el texto.

Para ajustar los subtítulos optativos:

- 1 Presione **MENU/ENTER** (Menú/Entrar). Aparecerá la pantalla del menú.
- 2 Presione **VOL+ y VOL -** para seleccionar el menú **OPTION** (Opción).
- 3 Presione **CH + y CH -** para seleccionar **DIGITAL SETUP** (Configuración digital), y presione **VOL +**.
- 4 Presione **CH + y CH -** para seleccionar **CC ADVANCED** (Subtítulos optativos avanzados), y presione **VOL +**. Aparece el menú **CC ADVANCED** (Subtítulos optativos avanzados).
- 5 Presione **CH + y CH -** para seleccionar el elemento que desea ajustar y presione **VOL +**.
- 6 Presione **CH + y CH -** para seleccionar el ajuste y presione **MENU/ENTER** (Menú/Entrar).

Puede seleccionar entre los siguientes elementos y parámetros.

- **TEXT SIZE (Tamaño de texto):** AUTO (Automático), SMALL (Pequeño), STANDARD (Estándar), LARGE (Grande)

- **TEXT TYPE (Tipo de texto):** AUTO (Automático), DEFAULT (Predeterminado), MONO W. SERIF (Mono con serif), PROP. W.SERIF (Proporcional con serif), MONO W/O SERIF (Mono sin serif), PROP. W/O SERIF (Proporcional sin serif), CASUAL, CURSIVE (Cursiva), SMALL CAPITALS (Mayúsculas pequeñas).
- **TEXT COLOR (Color de texto):** AUTO (Automático), BLACK (Negro), WHITE (Blanco), RED (Rojo), GREEN (Verde), BLUE (Azul), YELLOW (Amarillo), MAGENTA, CYAN (Turquesa)
- **TEXT EDGE (Borde del texto):** AUTO (Automático), NONE (Ninguno), RAISED (Alto relieve), DEPRESSED (Bajo relieve), UNIFORM (Uniforme), LEFT DROP SHADOW (Sombra izquierda), RIGHT DROP SHADOW (Sombra derecha)
- **BACKGROUND COLOR (Color de fondo):** AUTO (Automático), BLACK (Negro), WHITE (Blanco), RED (Rojo), GREEN (Verde), BLUE (Azul), YELLOW (Amarillo), MAGENTA, CYAN (Turquesa)

- 7 Presione repetidamente **MENU/ENTER** (Menú/Entrar) hasta que se borra la pantalla del menú.

Selección de estéreo/programa de audio secundario (SAP)

La función de sonido de TV multicanal (MTS) proporciona sonido estéreo de alta fidelidad. MTS también puede transmitir un segundo programa de audio (SAP) que contiene un segundo idioma u otra información de audio. Cuando el TV recibe una transmisión en estéreo o SAP, la palabra **STEREO** (Estéreo) o **SAP** aparece en la pantalla cada vez que usted enciende el televisor, cambia de canal o presiona **-/DISPLAY** (-/ Visualización).

Para seleccionar estéreo/segundo programa de audio:

- 1 Presione **MENU/ENTER** (Menú/Entrar) en el modo analógico y presione **VOL +** y **VOL -** para seleccionar **OPTION** (Opción).
- 2 Presione **CH +** y **CH -** para seleccionar **SAP** y presione **VOL +** y **VOL -** para seleccionar **OFF** (Desactivado) u **ON** (Activado).
- 3 Presione **EXIT** (Salir) para regresar a la pantalla normal.

Para escuchar sonido estéreo:

Notas:

Cuando se enciende el televisor o se selecciona un canal, aparece el indicador STEREO (Estéreo) en la pantalla, indicando que una transmisión estéreo está disponible. Cuando sólo una transmisión monofónica está disponible, no hay un indicador en la pantalla.

Puede disfrutar de sonido estéreo con los altavoces izquierdo y derecho.

- 1 Si la señal de transmisión no es lo suficientemente fuerte, o no hay sonido estéreo claro disponible, presione **AUDIO** en el control remoto para cambiar a monofónico. Esto debería eliminar cualquier ruido.
- 2 Presione **AUDIO** de nuevo para regresar a estéreo.

Para escuchar un segundo programa de audio (SAP):

- 1 Cuando se enciende el televisor o se selecciona un canal, el indicador **SAP** aparece en la pantalla, indicando que un programa de audio secundario (SAP) está disponible.
- 2 Presione **AUDIO** en el control remoto y seleccione el ajuste de SAP deseado, usando la siguiente tabla como guía.

Transmisión	Ajuste de SAP	Visualización de audio
MONO	OFF (Desactivado)	MONO
	ON (Activado)	MONO
STEREO (Estéreo)	OFF (Desactivado)	STEREO <->MONO
	ON (Activado)	STEREO <->MONO
MONO+SAP	OFF (Desactivado)	MONO
	ON (Activado)	SAP
STEREO (Estéreo)	OFF (Desactivado)	STEREO <->MONO
	ON (Activado)	SAP

Selección del idioma del audio

Cuando dos o más idiomas de audio están incluidos en una señal digital, puede seleccionar uno de los idiomas de audio.

Para seleccionar el idioma de audio:

- 1 Presione **TUNER** (Sintonizador) para seleccionar el modo digital.
- 2 Presione **MENU/ENTER** (Menú/Entrar). Aparecerá la pantalla del menú.
- 3 Presione **VOL +** y **VOL -** para seleccionar el menú **OPTION** (Opción) y presione **CH +** y **CH -** para seleccionar **DIGITAL SETUP** (Configuración digital).
- 4 Presione **VOL+**. Aparece el menú **DIGITAL SETUP** (Configuración digital).
- 5 Presione **CH +** y **CH -** para seleccionar **AUDIO LANGUAGE** (Idioma de audio) y presione **VOL +**. Aparece el menú **AUDIO LANGUAGE** (Idioma de audio).
- 6 Presione **CH +** y **CH -** para seleccionar el idioma deseado y presione **MENU/ENTER** (Menú/Entrar).
- 7 Presione repetidamente **MENU/ENTER** (Menú/Entrar) hasta que se borra la pantalla del menú.

Verificación de la intensidad de la señal digital

Este televisor le permite ver el medidor de señal digital para los canales digitales.

Notas:

La función de medidor de señal no está disponible para los canales analógicos.

*Después de cuatro minutos, la pantalla **SIGNAL METER** (Medidor de señal) regresa a la operación de televisión normal automáticamente.*

Para verificar la intensidad de la señal digital:

- 1 Presione **MENU/ENTER** (Menú/Entrar). Aparecerá la pantalla del menú.
- 2 Presione **VOL +** y **VOL -** para seleccionar el menú **OPTION** (Opción) y presione **CH +** y **CH -** para seleccionar **DIGITAL SETUP** (Configuración digital).
- 3 Presione **VOL+**. Aparece el menú **DIGITAL SETUP** (Configuración digital).
- 4 Presione **CH +** y **CH -** para seleccionar **SIGNAL METER** (Medidor de señal) y presione **VOL +** para verificar la intensidad de la señal digital.
- 5 Presione repetidamente **MENU/ENTER** (Menú/Entrar) hasta que se borra la pantalla del menú.

Uso de la función de apagado automático

Cuando la función de apagado automático se encuentra activada y la estación que se ve deja de transmitir, el televisor se apagará automáticamente 15 minutos después de que se detenga la transmisión.

Para usar la función de apagado automático:

- 1 Presione **MENU/ENTER** (Menú/Entrar). Aparecerá la pantalla del menú.
- 2 Presione **VOL + y VOL -** para seleccionar el menú **OPTION** (Opción) y presione **CH + y CH -** para seleccionar **AUTO SHUT OFF** (Apagado automático).
- 3 Presione **CH + y CH -** para seleccionar **ON** (Activado) u **OFF** (Desactivado).
- 4 Presione **EXIT** (Salir) para regresar a la pantalla normal.

Especificaciones

El diseño y las especificaciones están sujetos a cambio sin aviso previo.

Fuente de alimentación	CA 120 V, 60 Hz
Consumo de energía	
Operación	110 Watts
Standby	3 Watts
Chasis	
Peso	114.7 lb. (52 kg)
Ancho:	32.9 pulgadas (836 mm)
Alto	21.69 pulgadas (551 mm)
Profundidad	25.79 pulgadas (655 mm)
Entradas	
VIDEO	1 V (p-p)/75 ohmios
AUDIO	- 8 dBm/50 kohmios
S-VIDEO	Y: 1 V (p-p), 75 ohmios C: 0.286 V (p-p), 75 ohmios
COMPONENT (Componentes)	Y: 1 V (p-p), 75 ohmios PR: 0.7 V (p-p), 75 ohmios PB: 0.7 V (p-p), 75 ohmios
Salida	
AUDIO	- 8 dBm/50 kohmios
Otros	
Entrada de antena	Entrada VHF/UHF, 75 ohmios coaxial
Tubo de imagen	32 pulgadas (800.1 mm en diagonal)
Tipo de sintonizador	Estándar NTSC Estándar ATSC (8 VSB), QAM
Canales de recepción	VHF 2-13 UHF 14-69 CABLE TV 14-36 (A)-(W) 37-59 (AA)-(WW) 60-85 (AAA)-(ZZZ) 86-94 (86)-(94) 95-99 (A-5)-(A-1) 100-125 (100)-(125) 01 (5A)
Altavoces	2 pulgadas (50.8 mm) x 3-1/2 pulgadas (88.9 mm), 8 ohmios x 2
Potencia de la salida de sonido	1 W + 1 W

Localización y corrección de fallas

Use la siguiente lista de verificación para resolver problemas que surjan con su televisor. Consulte con su distribuidor local o establecimiento de servicio si el problema persiste. Asegúrese de que todas las conexiones estén hechas correctamente cuando use otras unidades.

Problema	Solución
El televisor no funciona.	<ul style="list-style-type: none"> • Asegúrese de que el cable de alimentación esté enchufado. • Pruebe con otro tomacorriente de CA. • La unidad está apagada. Revise el fusible o el interruptor automático. • Desenchufe el televisor por una hora, luego enchúfelo nuevamente.
Sonido defectuoso o no hay sonido.	<ul style="list-style-type: none"> • La estación o el sistema de cable tiene un problema. Sintonice otra estación. • Verifique los ajustes del sonido (volumen y silenciamiento). • Verifique las posibles fuentes de interferencia.
Imagen insatisfactoria o no hay imagen.	<ul style="list-style-type: none"> • La estación o el sistema de cable tiene un problema. Sintonice otra estación. • Asegúrese de que los canales están establecidos en la memoria. • Revise la antena o las conexión del sistema de cable. Ajuste la antena. • Verifique las posibles fuentes de interferencia. • Verifique los ajustes de control de la imagen.
Recepción deficiente en algunos canales.	<ul style="list-style-type: none"> • La estación o el sistema de cable tiene un problema. Sintonice otra estación. • Asegúrese de que los canales están establecidos en la memoria. • La estación está débil. Ajuste la antena para recibir la estación deseada. • Verifique las posibles fuentes de interferencia.
Color insatisfactorio o no hay color.	<ul style="list-style-type: none"> • La estación o el sistema de cable tiene un problema. Sintonice otra estación. • Asegúrese de que los canales están establecidos en la memoria. • Verifique los ajustes de control de la imagen. • Revise la antena o las conexión del sistema de cable. Ajuste la antena. • Verifique las posibles fuentes de interferencia.
Imagen inestable o dispersa.	<ul style="list-style-type: none"> • La estación o el sistema de cable tiene un problema. Sintonice otra estación. • Asegúrese de que los canales están establecidos en la memoria. • La compañía del servicio de cable está codificando la señal. • Ajuste la antena.
Problema de pantalla con transmisión digital	<ul style="list-style-type: none"> • Verifique la intensidad de la señal digital
No hay recepción de CATV.	<ul style="list-style-type: none"> • Compruebe todas las conexiones de los cables. • Establezca la opción del menú TV/CABLE en el modo CABLE. • La estación o el sistema de cable tiene un problema. Pruebe otra estación.
Barras horizontales o diagonales en la pantalla.	<ul style="list-style-type: none"> • Verifique las conexiones de la antena. • Ajuste o redirija la antena. • Verifique las posibles fuentes de interferencia.
No hay recepción en los canales superiores al 13.	<ul style="list-style-type: none"> • Asegúrese de que la opción del menú TV/CABLE está establecida en el modo apropiado. • Si está usando una antena, revise las conexiones de la antena UHF.
El control remoto no funciona.	<ul style="list-style-type: none"> • Las pilas están bajas o agotadas, o se insertaron incorrectamente. • El control remoto está fuera de rango. Muévelo más cerca al televisor (a una distancia de 15 pies). • Asegúrese de que el control remoto apunte hacia el sensor. • Confirme que no hayan obstrucciones entre el control remoto y el televisor. • Asegúrese de que el cable de alimentación esté enchufado.
El televisor se apaga.	<ul style="list-style-type: none"> • No hay transmisión en la estación sintonizada. • El temporizador de apagado automático está establecido. • Interrupción de la alimentación eléctrica.

Problema	Solución
Los subtítulos optativos no están activados.	<ul style="list-style-type: none"> • La estación de televisión tiene problemas o el programa no ofrece subtítulos optativos. Pruebe con otro canal. • Revise la conexión del cable o la antena VHF/UHF. Cambie la posición o gire la antena. • Establezca el decodificador de subtítulos en el menú.
La visualización no se muestra en su idioma	<ul style="list-style-type: none"> • Seleccione el idioma correcto en las opciones del menú.

Avisos legales

Declaraciones reglamentarias

Declaración de la Comisión Federal de Comunicaciones sobre la interferencia de frecuencias de radio

Este equipo ha sido sometido a pruebas y se ha determinado que satisface los límites establecidos para clasificarlo como dispositivo digital de Clase B de acuerdo con la Parte 15 del reglamento FCC. Estos límites están diseñados para proporcionar una protección razonable contra interferencias dañinas en un ambiente residencial. Este equipo genera, usa y puede emitir energía de radiofrecuencia, y si no se instala y usa de acuerdo con las instrucciones, puede causar interferencias perjudiciales a las comunicaciones de radio. Sin embargo, no se garantiza que no ocurrirá interferencia en una instalación particular. Si este equipo causa interferencias perjudiciales en la recepción de la señal de radio o televisión, lo cual puede comprobarse encendiendo y apagando el reproductor alternativamente, se recomienda al usuario corregir la interferencia mediante uno de los siguientes procedimientos:

- Cambie la orientación o la ubicación de la antena receptora.
- Aumente la distancia entre el equipo y el receptor.
- Conectar el equipo a un tomacorriente de un circuito distinto de aquel al que está conectado el receptor.
- Solicitar consejo al distribuidor o a un técnico experto en radio o televisión para obtener ayuda.

Cuidado: *Cualquier cambio o modificación que no esté aprobado expresamente por la parte responsable por el cumplimiento con el reglamento de FCC puede anular la autoridad del usuario para operar el equipo.*

Notificación canadiense

Este aparato digital de la Clase B cumple todos los requisitos del Reglamento Canadiense sobre Equipos que Causan Interferencias.

Derechos de reproducción

© 2007 Dynex. DYNEX y el logotipo de DYNEX son marcas comerciales de Best Buy Enterprise Services, Inc. Otras marcas y nombres de productos son marcas comerciales o marcas registradas de sus respectivos dueños. Las especificaciones y características están sujetas a cambio sin aviso previo u obligación.

Para reparación y soporte llamar al (800) 305-2204.

Garantía limitada de 90 días

Dynex Products ("Dynex") le garantiza a usted, el comprador original de este nuevo **DX-R32TV** ("Producto"), que éste se encontrará libre de defectos de material o de mano de obra en su fabricación original por un período de 90 (noventa) días a partir de la fecha de compra del Producto ("Período de Garantía"). Este Producto debe ser comprado en un distribuidor autorizado de productos Dynex y empacado con esta declaración de garantía. Esta garantía no cubre Productos reacondicionados. Si notifica a Dynex durante el Período de Garantía sobre un defecto cubierto por esta garantía que requiere reparación, los términos de esta garantía se aplican.

¿Cuánto dura la garantía?

El Período de Garantía dura por 90 (noventa) días a partir de la fecha en que compró el Producto. La fecha de compra se encuentra impresa en el recibo que recibió con el producto.

¿Qué es lo que cubre esta garantía?

Durante el Período de Garantía, si un centro de reparación autorizado de Dynex concluye que la fabricación original del material o la mano de obra del Producto se encuentran defectuosos Dynex (cómo su opción exclusiva): (1) reparará el Producto con repuestos nuevos o reacondicionados; o (2) reemplazará el Producto con uno nuevo o con uno reacondicionado con repuestos equivalentes. Los Productos y repuestos reemplazados bajo esta garantía se volverán propiedad de Dynex y no se le regresarán a usted. Si se requiere la reparación de Productos y partes después de que se vence el Período de Garantía, usted deberá pagar todos los costos de mano de obra y de repuestos. Esta estará vigente con tal que usted sea el dueño de su producto Dynex durante el Período de Garantía. El alcance de la garantía se termina si usted vende o transfiere el producto.

¿Cómo se obtiene la reparación de garantía?

Si ha comprado el Producto en una tienda de ventas, lleve su recibo original y el Producto a la tienda en donde lo compró. Asegúrese de que vuelva a colocar el Producto en su empaque original o en un empaque que provea la misma protección que el original. Si compró el Producto en un sitio Web, envíe por correo su recibo original y el Producto a la dirección postal listada en el sitio Web. Asegúrese de colocar el Producto en su empaque original o en un empaque que provea la misma protección que el original.

Para obtener servicio de garantía a domicilio para un televisor con una pantalla de 25 pulgadas o más, llame al 1-888-BESTBUY. El soporte técnico diagnosticará y corregirá el problema por teléfono o enviará un técnico certificado por Insignia a su casa.

¿En dónde es válida la garantía?

Esta garantía sólo es válida al comprador original del Producto en los Estados Unidos y en Canadá.

¿Qué es lo que no cubre la garantía?

Esta garantía no cubre:

- Capacitación del cliente
- Instalación
- Ajuste de configuración
- Daños cosméticos
- Daños debido a actos de la naturaleza, tal cómo rayos
- Accidentes
- Mal uso
- Abuso
- Negligencia
- Uso comercial
- Modificación de alguna parte del Producto
- Un panel de pantalla de plasma dañado por la persistencia de imágenes estáticas (sin movimiento), mostradas por periodos de tiempo extendido (efecto "burn-in").

Esta garantía tampoco cubre:

- Daño debido al uso o mantenimiento incorrecto
- La conexión a una fuente de voltaje incorrecta
- El intento de reparación por alguien que no sea una compañía autorizada por Dynex para reparar el Producto
- Productos vendidos tal cual (en el estado en que se encuentran) o con todas sus fallas
- Productos consumibles, tal cómo fusibles o baterías
- Productos en los cuales el número de serie asignado en la fábrica ha sido alterado o removido.

EL REEMPLAZO DE REPARACIÓN SEGÚN PROVISTO BAJO ESTA GARANTÍA ES SU ÚNICO RECURSO. DYNEX NO SERÁ RESPONSABLE POR DAÑOS INCIDENTALES O CONSECUENTES DEBIDO AL INCUMPLIMIENTO DE CUALQUIER GARANTÍA EXPRESA O IMPLÍCITA RELACIONADA CON ESTE PRODUCTO, INCLUYENDO PERO SIN LIMITARSE A LA PÉRDIDA DE INFORMACIÓN, LA PÉRDIDA DE NEGOCIOS O DE GANANCIAS. DYNEX PRODUCTS NO HACE NINGUNA OTRA GARANTÍA EXPRESA E IMPLÍCITA RELACIONADA A ESTE PRODUCTO, INCLUYENDO PERO SIN LIMITARSE A, CUALQUIER GARANTÍA IMPLÍCITA DE O CONDICIONES DE COMERCIALIZACIÓN O IDONEIDAD PARA UN USO PARTICULAR, ESTÁN LIMITADAS EN DURACIÓN AL PERÍODO DE GARANTÍA DECLARADO ANTERIORMENTE Y NINGUNA GARANTÍA YA SEA EXPRESA O IMPLÍCITA SE APLICARÁ DESPUÉS DEL PERÍODO DE GARANTÍA. ALGUNOS ESTADOS, PROVINCIAS Y JURISDICIONES NO PERMITEN RESTRICCIONES EN CUANTO A LA DURACIÓN DE UNA GARANTÍA IMPLÍCITA, ASÍ QUE LA RESTRICCIÓN ANTERIOR PUEDE NO APLICARSE EN SU CASO. ESTA GARANTÍA LE DA DERECHOS LEGALES ESPECÍFICOS, Y USTED PUEDE POSEER OTROS DERECHOS QUE VARÍAN DE ESTADO A ESTADO, O DE PROVINCIA A PROVINCIA.

Póngase en contacto con Dynex:

Para servicio al cliente favor llamar al 1-800-305-2204

www.dynexproducts.com

DYNEX® es una marca comercial registrada de Best Buy Enterprise Services, Inc.

Distribuido por Best Buy Purchasing, LLC

Dynex, 7601 Penn Avenue South, Richfield, Minnesota, U.S.A.

DYNEX™

www.dynexproducts.com (800) 305-2204

Distributed by Best Buy Purchasing, LLC
7601 Penn Ave. South, Richfield, MN 55423 U.S.A.

Distribué par Best Buy Purchasing, LLC
7601 Penn Ave. South, Richfield, MN 55423 É.-U.

Distribuido por Best Buy Purchasing, LLC
7601 Penn Ave. South, Richfield, MN 55423 U.S.A.

Free Manuals Download Website

<http://myh66.com>

<http://usermanuals.us>

<http://www.somanuals.com>

<http://www.4manuals.cc>

<http://www.manual-lib.com>

<http://www.404manual.com>

<http://www.luxmanual.com>

<http://aubethermostatmanual.com>

Golf course search by state

<http://golfingnear.com>

Email search by domain

<http://emailbydomain.com>

Auto manuals search

<http://auto.somanuals.com>

TV manuals search

<http://tv.somanuals.com>