

Important Safety Instruction

- CAUTION: Use of controls or adjustments or performance of procedures other than those specified herein may result in hazardous radiation exposure.**
- Please carefully study this manual and always keep it available. There are, however, some installation and operation precautions which you should be aware of.
- (1) Read these instructions. All the safety and operating instructions should be read before the product is operated.
- (2) Keep these instructions. The safety and operating instructions should be retained for future reference.
- (3) Heed all warnings, all markings on the product and in the operating instructions should be adhered to.
- (4) Follow all instructions-AF operating and use instructions should be followed.
- (5) Do not use this apparatus near water. The apparatus shall not be exposed to dripping or splashing and that no objects filled with liquids, such as vases, shall be placed on the apparatus.
- (6) Clean only with dry cloth. Wipe this product from the wall outlet before cleaning. Do not use liquid or aerosol cleaners. Clean only with dry cloth.
- Exception:** A product that is meant for unattended use and that, for some specific reason, such as the possibility of the loss of an authorization code for a CATV converter, is not intended to be unplugged by the user for cleaning or any other purpose, may exclude the reference to unplugging the product in the cleaning description otherwise required in 131.65.
- (7) Do not block any ventilation openings. Install in accordance with the manufacturer's instructions. Slots and openings in the cabinet are provided for ventilation and to ensure reliable operation of the product and to protect it from overheating, and these openings must not be blocked or covered. The openings should never be blocked by placing the product on a bed, sofa, rug, or other similar surface. This product should not be placed in a built-in installation such as a bookcase or rack unless proper ventilation is provided or the manufacturer's instructions have been adhered to.
- (8) Do not install near any heat sources such as radiators, heat registers, stoves, or other apparatus (including amplifiers) that produce heat.
- (9) Do not defeat the safety purpose of the permanent grounding-type plug. A product plug with two blades and one wider than the other. A grounding-type plug has two blades and a third grounding prong. The wide blade or the third prong is provided for your safety. If the provided plug does not fit into your outlet, consult an electrician for replacement of the obsolete outlet.
- (10) Protect the power cord from being walked on or pinched particularly at plugs, connector receptacles, and the point where they exit from the apparatus. Power supply cords should be avoided so that they are not likely to be walked on or pinched by items placed upon or against them, paying particular attention to cords at plugs, connector receptacles, and the point where they exit from the product.
- (11) Only use attachments/accessories specified by the manufacturer. Do not use attachments not recommended by the product manufacturer as they may cause hazards.
- (12) Use only the cart, stand, tripod, bracket, or table specified by the manufacturer, or sold with the apparatus. When a cart is used, use caution when moving the apparatus combination to avoid injury from tip-over.

Important Safety Instruction

- (13) Unplug this apparatus during lightning storms or when unused for long periods of time. Unplug it from the wall outlet and disconnect the antenna or cable system. This will prevent damage to the product due to lightning and power line surges.
- (14) Refer all servicing to qualified service personnel. Servicing is required when the apparatus has been damaged in any way, such as power supply cord or plug is damaged, liquid has been spilled or objects have fallen into the apparatus, the apparatus has been exposed to rain or moisture, does not operate normally, or has been dropped.
- (15) Power Sources: This product should be operated only from the type of power source indicated on the marking label. If you are not sure of the type of power supply to your home, consult your product dealer or local power company. For products intended to operate from battery power, or other sources, refer to the operating instructions.
- (16) Protective Attachment Plug: This product is equipped with an attachment plug having overload protection. This is a safety feature. See instruction manual for replacement or resetting of protective device. If replacement of the plug is required, be sure the service technician has used a replacement plug specified by the manufacturer that has the same overload protection as the original plug.
- (17) Outdoor Antenna Grounding: If an outside antenna or cable system is connected to the product, be sure the antenna or cable system is grounded so as to provide some protection against voltage surges and built-up static charges. Article 810 of the National Electrical Code, ANSI/NFPA 70, provides information with regard to proper grounding procedure, location of antenna discharge unit, connection to grounding electrode, and requirements for the grounding electrode.
- (18) Power Lines: An outside antenna system should not be located in the vicinity of overhead power lines or other electric light or power circuits, or where it can fall into such power lines or circuits. When installing an outside antenna system, extreme care should be taken to keep from touching such power lines or circuits as contact with them might be fatal.
- (19) Overheating: Do not overload wall outlets, extension cords, or integral convenience receptacles as this can result in a risk of fire or electric shock.
- (20) Object and Liquid Entry: Never push objects of any kind into this product through openings as they may touch dangerous voltage points or short-circuit parts that could result in a fire or electric shock. Never spill liquid of any kind on the product.
- (21) Servicing: Do not attempt to service this product yourself as opening or removing covers may expose you to dangerous voltage or other hazards. Refer all servicing to qualified service personnel.
- (22) Replacement Parts: When replacement parts are required, be sure the service technician has used replacement parts specified by the manufacturer or have the same characteristics as the original part. Unauthorized substitutions may result in fire, electric, or other hazards.
- (23) Safety Check: Upon completion of any service or repairs to this product, ask the service technician to perform safety checks to determine that the product is in proper operating condition.

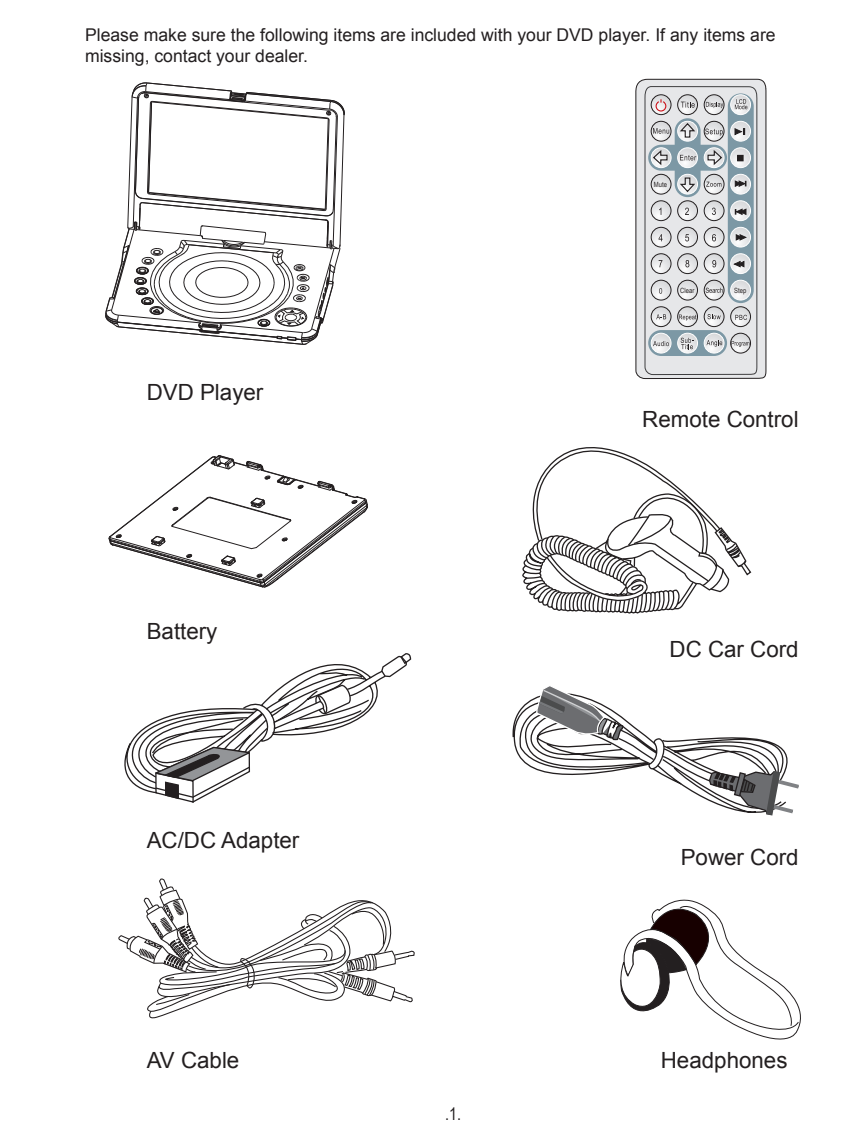
Safety Precautions

- CAUTION** The lightning flash with arrowhead symbol within an equilateral triangle is intended to alert the user to the presence of unshielded "dangerous voltage" within the product's enclosure that may be of sufficient magnitude to constitute a risk of electric shock to persons.
- The installation point within an equilateral triangle is intended to alert the user to the presence of important operating and maintenance (servicing) instructions in the literature accompanying the product.
- WARNING:** To reduce the risk of fire or electric shock, do not expose this apparatus to rain or moisture. Dangerous high voltage is present inside the enclosure. Do not open the cabinet.
- To prevent electric shock, which may cause fatal plug wide slot, and fully insert.
- CAUTION:** This Digital Video Disc Player employs a laser system. To prevent direct exposure to the laser beam, do not try to open the enclosure. When open and the mirrors are deflected, visible laser radiation is present.
- Use of controls or adjustments or performance of procedures other than those specified herein may result in hazardous radiation exposure. **DO NOT STARE INTO BEAM.**
- FCI NOTICE:** This equipment has been tested and found to comply with the limits for Class B digital device. Pursuant with the FCC Rule Part 15. These limits are designed to provide reasonable protection against harmful interference in a residential installation.
- The equipment generates, uses and can radiate radio frequency energy and if not installed and used in accordance with the instruction may cause harmful interference to radio communication. This product incorporates copyright protection technology that is protected by U.S. patents and other intellectual property rights. Use of this copyright protection technology must be authorized by Macrovision, and is intended for home and other limited viewing uses only unless otherwise authorized by Macrovision. Reverse engineering or disassembly is prohibited.

Table of Contents

SAFETY INFORMATION	Page
UNPACKING	1
NOTE ON DISC	2
IDENTIFICATION OF CONTROLS	3-5
CONNECTIONS (Connecting to a TV)	6
CONNECTIONS (Connecting to an amplifier equipped with Dolby Pro Logic Surround)	7
PREPARATIONS BEFORE OPERATION	8-10
PLAYING A DISC	11
FUNCTION BUTTONS	12-15
CUSTOM SETUP	17
TROUBLE SHOOTING	18
SPECIFICATIONS	19

Unpacking



Note on Disc

Disc Requirement

Disc name	Capacity	Disk size	Memory (maximum time)
CD-ROM	700 MB	120 mm	74 min
CD-Extra	800 MB	120 mm	74 min
CD-i	650 MB	120 mm	74 min
CD-i Extra	700 MB	120 mm	74 min
CD-i Music	700 MB	120 mm	74 min

In addition, this unit can play back a DVD-R or DVD-RW that contains audio files or MP3 files. You cannot playback disc other than those listed above (CD-ROM, CD-Extra, CD-i, CD-i Extra, CD-i Music and DVD-R).

Care of Disc

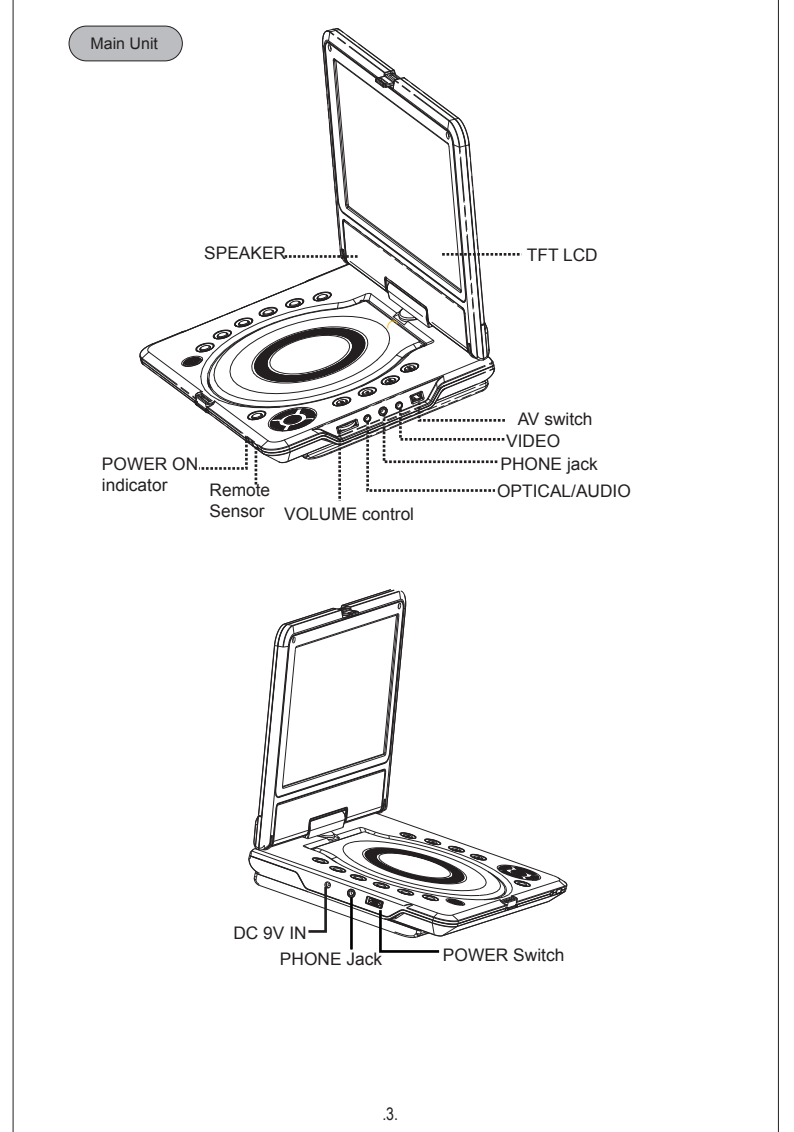
Video disc contains high-density compressed data that needs proper handling. Hold the disc with fingers. Hold the disc's outer edge and/or the center spindle hole. Do not touch the disc surface.

Do not bend or press the disc. Do not expose the disc to direct sunlight or heating sources.

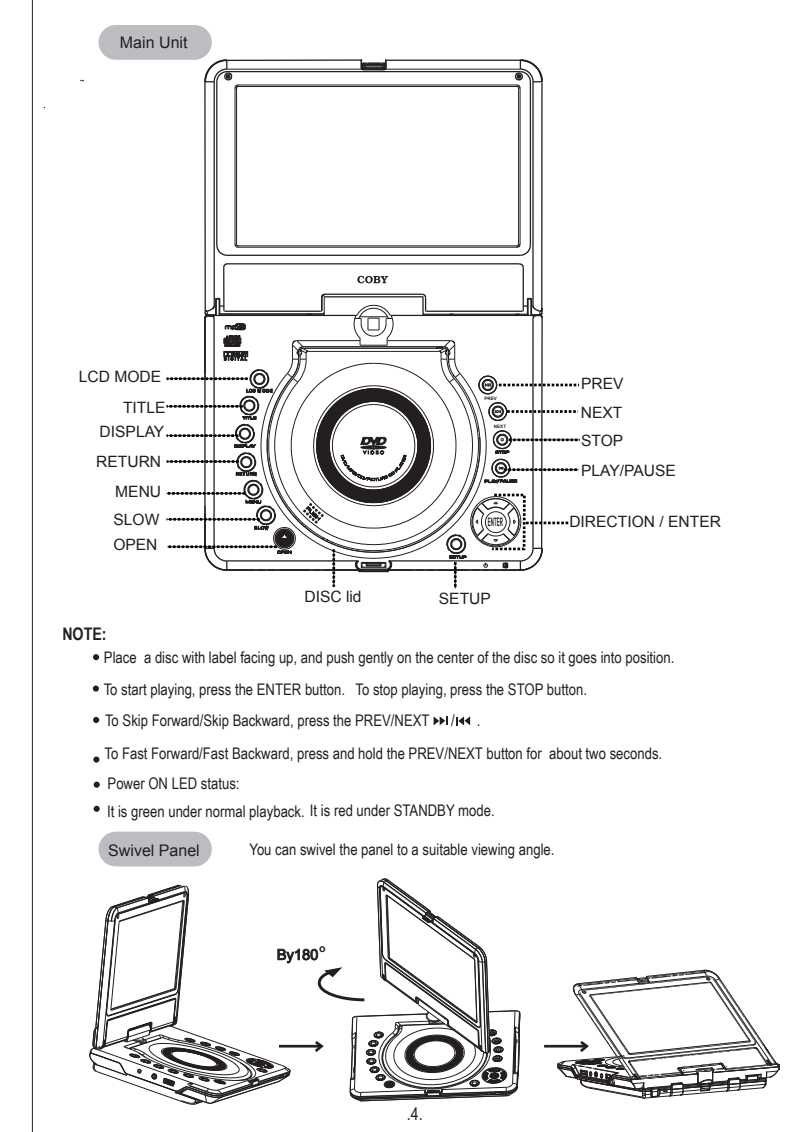
Store discs in cabinet vertically, and in dry condition. Prevent exposure to: • Direct sunlight • Heat or exhaust from a heating device • Excessive humidity

Clean the disc surface with a soft, dry cleaning cloth. Wipe the disc surface gently and radially from center toward the outer edge. Do not apply thinner, alcohol, chemical solvent, or greasy when cleaning. Such cleaning fluid will permanently damage the disc surface.

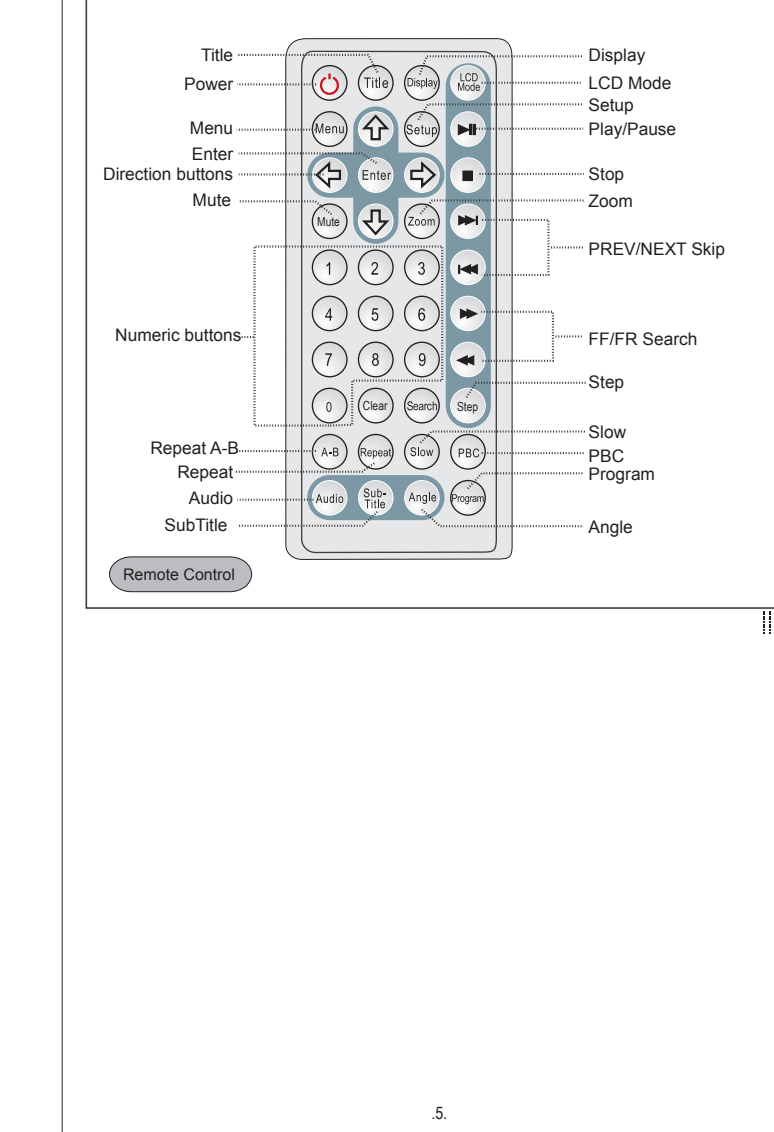
Identification of Controls



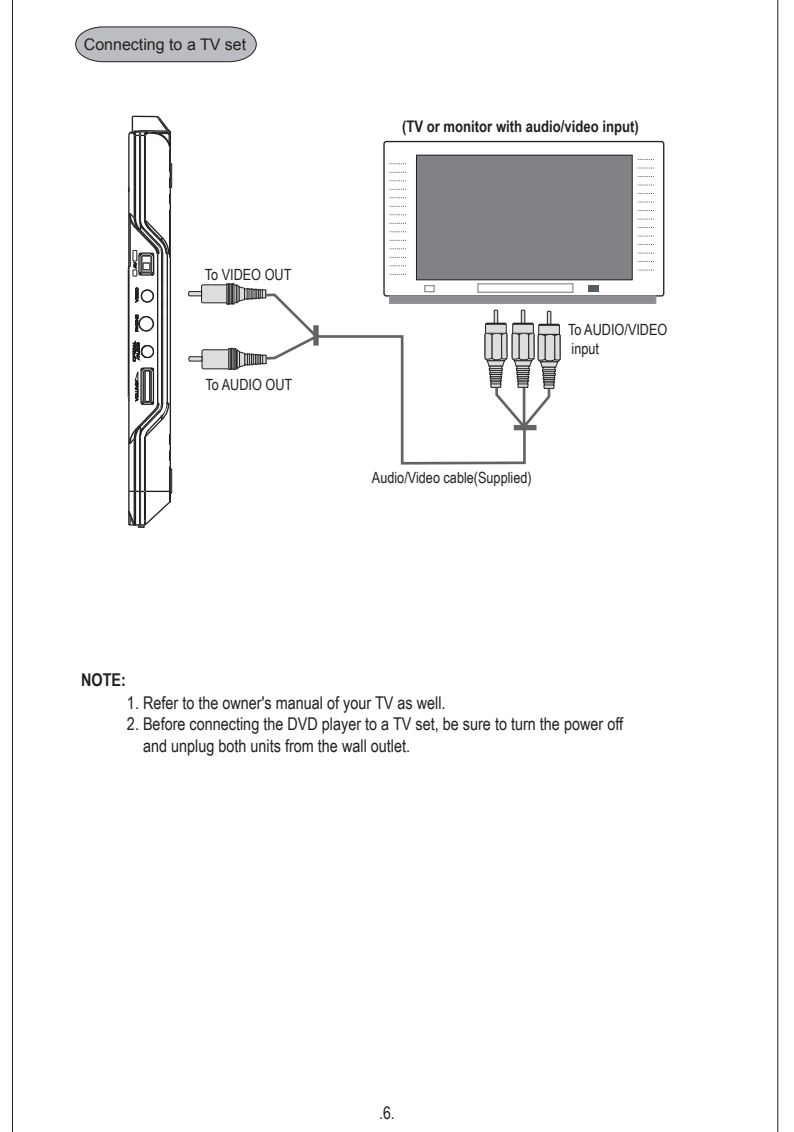
Identification of Controls



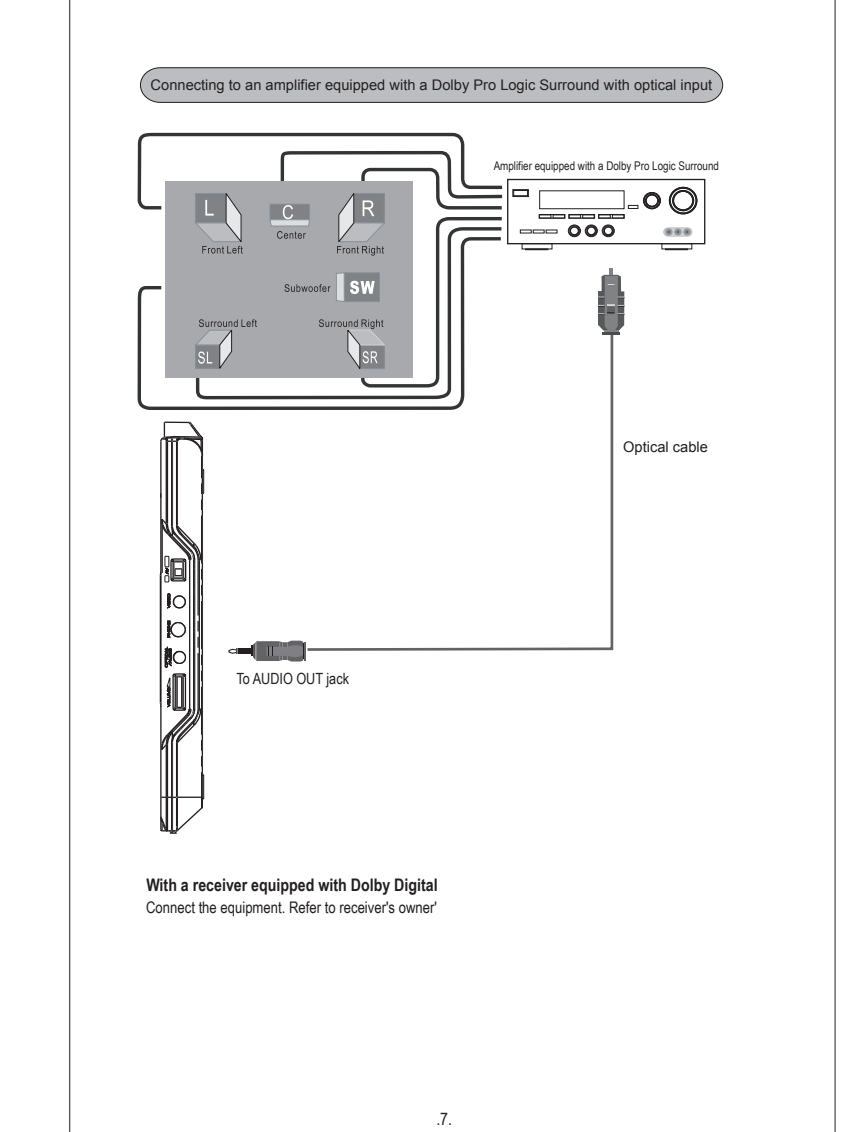
Identification of Controls



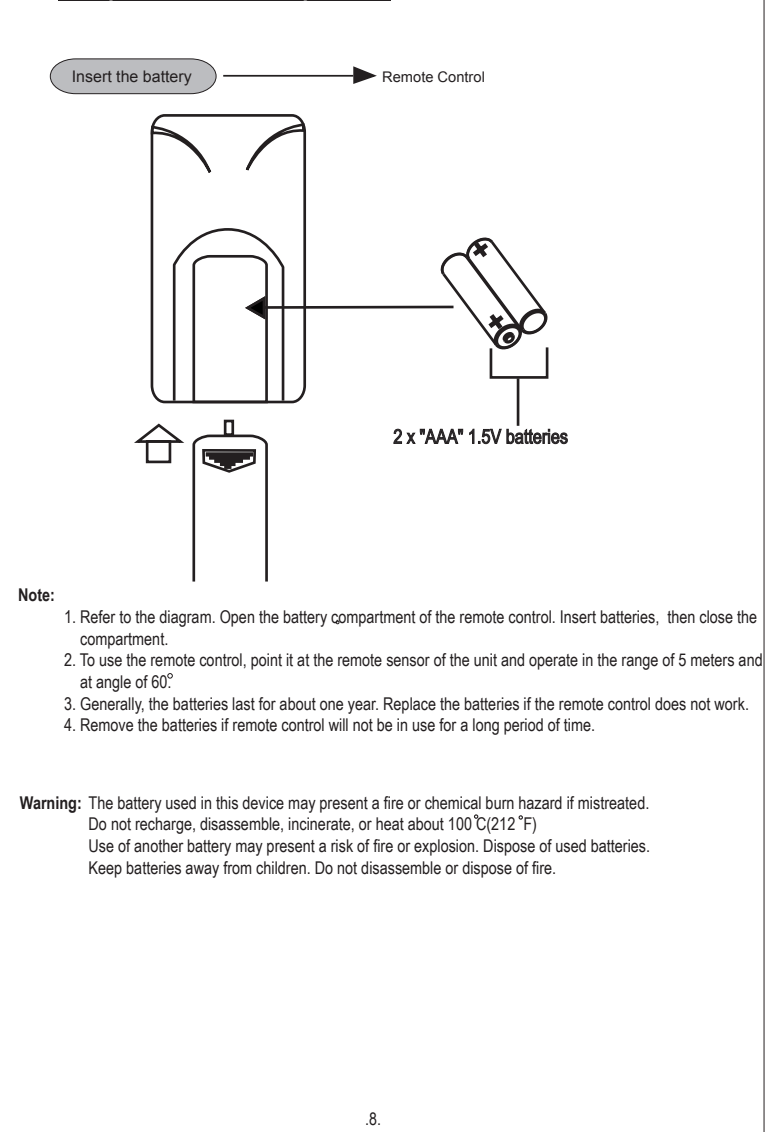
Connections



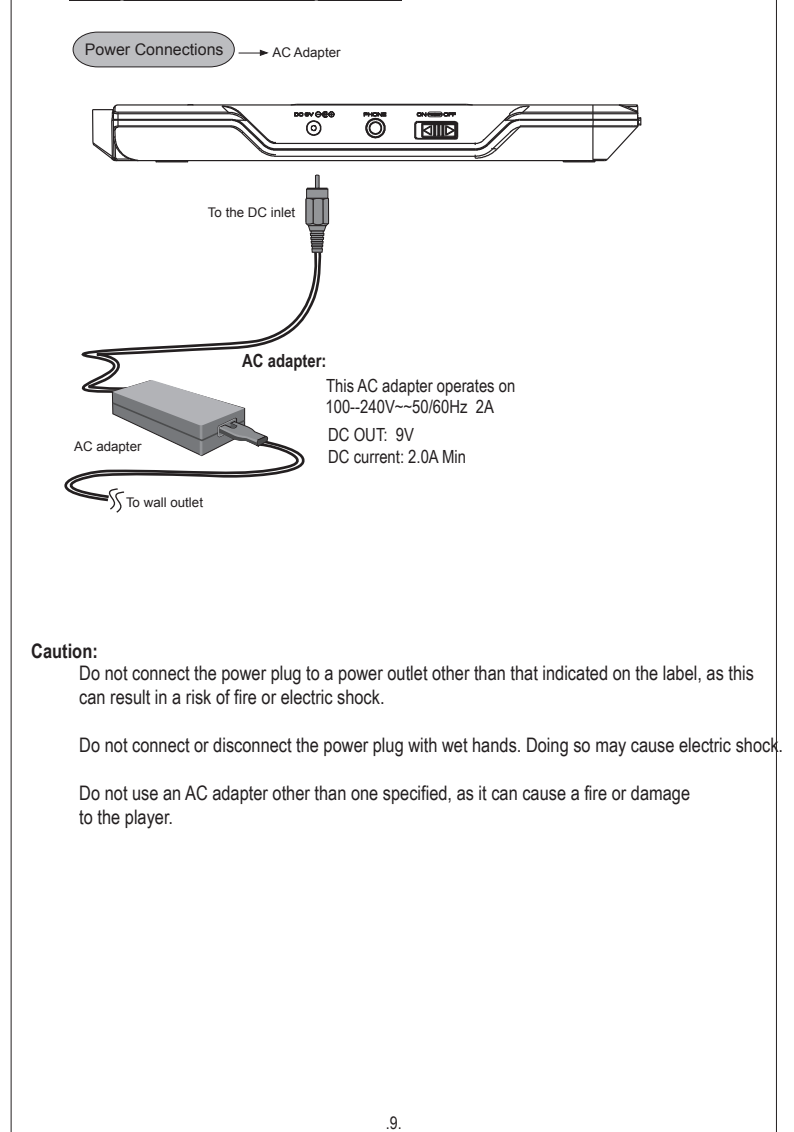
Connections



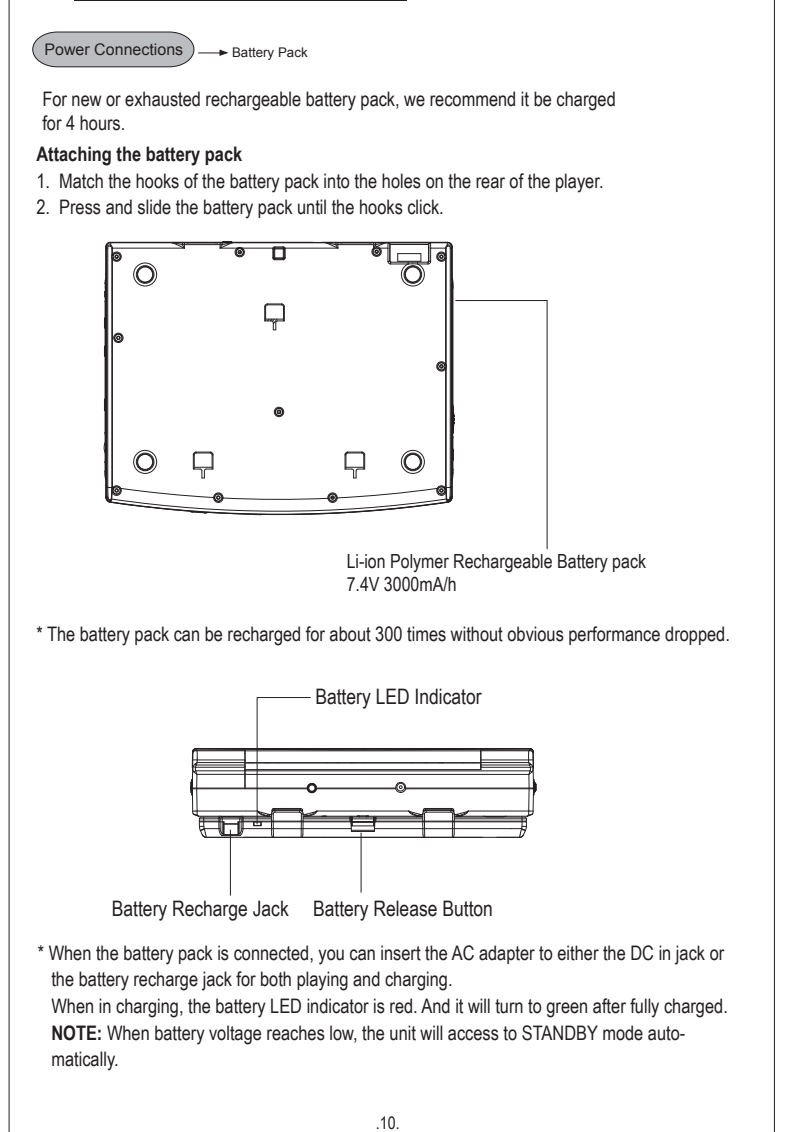
Preparations before Operation



Preparations before Operation



Preparations before Operation



Playing a Disc

- Basic Playback**
- Prepare the power supply
- Open the cover of the DVD player by hand. Slide the **POWER** switch to the left to turn the unit on.
 - Load a disc. Press **OPEN** button to open the disc lid and insert a disc with the label up. Close the disc lid by hand.
- If a single sided disc is placed in upside down, "NO DISC" or "BAD DISC" will appear on the TV screen. After playing back all of the chapters in the file, the DVD player stops automatically and shows the menu screen.
- Start playback**
- Press **PLAY** button to start playing. (Some discs may play automatically.)
- Fast Forward/Backward**
- Press the **DIRECTION** buttons to select the desired feature in the menu. Press **ENTER** button to confirm a selection in the menu.
- Adjust the volume**
- Turn the volume control on main unit to the desired volume level.
- Problem disc messages**
- The following messages will be displayed on screen when there is a format problem with loaded disc:
- "WRONG REGIONAL DISC"**: Region code of the disc is not matching to the player's (region 1 region).
 - "WRONG PASSWORD"**: Disc is not formatted to the disc higher than the rating level setting of the player. The player will not play the disc.
 - "WRONG DISC"**: The player is equipped with automatic disc quality detector software. When the player detects a problem or damaged disc, the unit may play the disc at a lower quality or stop completely, depending on the damaged level of the disc.
- Production quality of DVD discs vary. Some discs may deviate from the industry standard. Some incorrectly formatted discs may be played. However, the playback and operational quality may be substandard.**
- POWER management**
- If the player will not be used for a long period of time, please push power switch to **OFF** position.

Function Buttons

- LCD Mode**
- Adjust the Brightness, Contrast, and Color of the TFT panel.
- Press the **LCD Mode** button, the screen shows:
- Brightness**: 0-10
 - Contrast**: 0-10
 - Color**: 0-10
- Press **ENTER** button to select the desired item and make adjustment by **LEFT/RIGHT** button. When the **SCREEN** is selected, press **LEFT/RIGHT** button to select 10 or 0. When the **RESET** is selected, press **ENTER** to confirm. The three items will be reverted to the default settings.
- Display**
- Press **DISPLAY** button to show current status.
- Play/Pause/Stop**
- Press **PLAY** button for the first time to play the disc. Press the button for the second time to pause playing. (Still picture).
- Press the **STOP** button once, to stop playback. Press the **PLAY** button to resume. Disc will begin playing from where it was stopped.
- Press the **STOP** button twice, to stop playback. Press the **PLAY** button to resume. Disc will begin playing from the beginning.
- Skip Forward/Backward**
- Press the button to skip advance DVD chapter or CD track.
- Press the button to skip backward DVD chapter or CD track.
- NOTE:** Player will not skip forward or backward during "WARNING" section of a DVD disc.
- Fast Forward/Backward**
- Press the button to fast forward through the disc. Repeatedly pressing the button will increase the search speed.
- Press the button to fast backward through the disc. Repeatedly pressing the button will increase the search speed.
- Press **PLAY** to resume normal playback.
- SLOW**
- The player is muted in fast forward or fast backward mode. The player will not fast forward or fast backward during **WARNING** section of a DVD disc.
- Size**
- Press **SLOW** button to play at slow motion. Repeatedly pressing the button will decrease the slow speed.
- Normal → 1/2 → 1/4 → 1/8 → 1/16 → 1/32
- NOTE:** The player is muted at SLOW mode.

Function Buttons

- Disc MUTE**
- While playing a DVD, press the **TITLE** button to return to the DVD disc start menu.
- While playing DVD, press the **MUTE** button to return to the beginning of the Title menu.
- NOTE:** Some DVD discs do not allow the **TITLE** function.
- Select an item in the menu**
- In the DVD disc start menu in the Set Up menu:
- Press **DIRECTION** buttons to highlight function code.
 - Press **ENTER** button to confirm a selection.
- Press CLEAR button to cancel all entry**
- Press the **RETURN** button on main unit to return to the upper level menu.
- Numeric Key Pad (Random Program access)**
- Press the **ZOOM** button repeatedly and the TV screen will display:
- PLAYING DVD**
- Press the **ZOOM** button repeatedly and the TV screen will display:
- 20% → 50% → 100% → 150% → 200%**
- While at 100%, press the **direction** button to enter the picture menu.
- While at 150% or 200%, press the **direction** button to move the picture position.
- The picture quality decreases as the picture size increases.
- Search**
- On to a desired section. (L) Repeat Title, chapter, Time or Track.

Function Buttons

- In DVD mode**
- Press the Search button once appears:
- Press the Search button twice appears:
- Current file → Total chapter → Current chapter
- Current file → Total file → Hour → Minute
- Press **Right/Left** button to select the desired item, and input desired Title, Chapter, Time or Track by the numeric button.
- Press **Play** button to execute the search, or press **Search** button for the third time to return to normal playback.
- NOTE:** Some DVD and MP3 discs do not allow the Search function during program playing.
- Repeat Section A/B**
- To repeat playback a specific section of a disc.
- Press the **A/B** button at the starting point of the desired section. "Repeat A/B" appears on screen. Press the **A/B** button again at the end of the desired section. "Repeat A/B" appears on screen. The player will start repeating playback the selected section from A to B, and the function is canceled. To cancel the function, press the **A/B** button for the third time to return to normal playback.
- NOTE:** Some DVD discs do not allow the A/B function playback. This function does not apply to MP3 discs.
- Repeat**
- This function allows repeated playback of a Title, Chapter or Track.
- Press **RESET** button repeatedly to select the repeat mode.
- LCD/MP3 mode**
- | | |
|-------------------|----------------|
| L DVD mode | Repeat chapter |
| R DVD mode | Repeat disc |
| OFF | Repeat off |
- NOTE:** Some DVD discs do not allow REPEAT function.
- STEP**
- Press **STEP** when playing, it can frame by frame.
- Press **PLAY** button to go to the STEP mode.
- Multi-Angle/Subtitle/Audio**
- When the Program menu appears, move the cursor to highlight the **LEFT/RIGHT** direction button to move to the folder column.
- Press **LEFT/RIGHT** direction button to select the desired folder.
- Press **LEFT/RIGHT** direction button to move to track column (only color) and press **UP/DOWN** direction button to select the track.
- Repeat steps above to select the tracks by the numeric keypad.
- Press **PLAY** to start playing the programmed tracks.
- For your reference:**
- AUDIO may contain up to 8 different audio information, press the **Clear** button for MP3 mode, press right direction button to cancel unselected selection. Press **Program** again to load the program menu. Under program playing, press the **Program** to resume normal playback.
- NOTE:** Some discs do not allow program setting.

Function Buttons

- While playing a DVD disc, press **AUDIO** button to select the language of the audio sound track. A DVD disc may contain up to 8 broadcastable audio sound tracks.
- NOTE:** Some DVD discs do not have multiple ANGLES, SUBTITLES or AUDIO features.
- SETUP**
- Press the **SETUP** button to enter the player's setup menu.
- The **SETUP** menu allows the user to adjust the settings of the DVD player.
- PROGRAM**
- To play a disc in a desired sequence.
- The Program Function is available just as the player is in Standby Off mode.
- NOTE:** Press **PROGRAM** button to enter the program menu.
- MP3 mode**
- When the Program menu appears, move the cursor to highlight the **LEFT/RIGHT** button to select the language of the audio sound track. Press the **LEFT/RIGHT** button, select the Title by **UP/DOWN** button and press **ENTER**. Or input the file name by the numeric keypad.
- AUDIO**
- To select the language of the audio sound track.
- ANGLE**
- When the **ANGLE** button is highlighted, the chapter column by **LEFT/RIGHT** button, select the Chapter by **UP/DOWN** button and press **ENTER**. Or input the chapter number by the numeric keypad directly.
- Repeat steps 1 to 3 to set up to 20 titles for the programming playback.
- Press **PLAY** to start playing the programmed titles.
- Language Setup**
- Press the **Direction** keys to highlight the desired LANGUAGE item.
- | Item | Instruction | Default setting |
|---|--|-----------------|
| Language | To select the TV screen size from: | 14:3 |
| TV Type | To select the language of the OSD: | English |
| Menu | To select the language of the menu: | English |
| Audio | To select the language of the audio sound track: | English |
| Subtitle | To select the language of the subtitle: | English |
| When OFF is selected, the subtitle will not be displayed. | | English |
- Screen Setup**
- Press the **Direction** keys to highlight the desired SCREEN item.
- | Item | Instruction | Default setting |
|-------------|------------------------------------|--|
| TV Type | To select the TV screen size from: | 14:3 |
| Screen Size | To select the TV screen size from: | 4:3 (Pan Scan), 4:3 (Letter Box), 16:9 (Wide Screen) |
| TV System | To select the TV system from: | NTSC, PAL, AUTO |
| Brightness | To select the brightness from: | Normal, Bright, Soft |
| Contrast | To select the contrast level from: | 4, 3, 2, 1, 0, 1, 2, 3, 4 |
| 0 | | |
- NOTE:** Certain DVD discs are formatted in wide screen (16:9) or letter box (4:3) only. Adjusting the setting of the player will not change the screen size for these "Format only" discs.
- The TV system for North America is NTSC. Auto should only be used if you have a Multi-System TV.
- Audio Setup**
- Press the **Direction** keys to highlight the desired AUDIO item.
- | Item | Instruction | Default setting |
|-------------|------------------------------------|-----------------|
| Digital Out | To select the digital output from: | SFDR/RAW |
- NOTE:** When Digital Out is set to "off", it is recommended to turn OFF the digital output setting, for the purpose of minimizing the circuit interference.

Setup Menu

- Various features of the DVD player can be adjusted in the SETUP menu.
- Press **SETUP** button, then the SETUP menu appears on screen.
 - Press the **UP/DOWN** button to highlight the desired menu.
 - Press **ENTER** button to confirm your selection.
 - Press **SETUP** button again to quit the SETUP menu.
- NOTE:** Make sure the player is in STOP mode before setting the SETUP menu.
- Language Setup**
- Press the **Direction** keys to highlight the desired LANGUAGE item.
- | Item | Instruction | Default setting |
|---|--|-----------------|
| Language | To select the TV screen size from: | 14:3 |
| TV Type | To select the language of the OSD: | English |
| Menu | To select the language of the menu: | English |
| Audio | To select the language of the audio sound track: | English |
| Subtitle | To select the language of the subtitle: | English |
| When OFF is selected, the subtitle will not be displayed. | | English |
- Screen Setup**
- Press the **Direction** keys to highlight the desired SCREEN item.
- | Item | Instruction | Default setting |
|-------------|------------------------------------|--|
| TV Type | To select the TV screen size from: | 14:3 |
| Screen Size | To select the TV screen size from: | 4:3 (Pan Scan), 4:3 (Letter Box), 16:9 (Wide Screen) |
| TV System | To select the TV system from: | NTSC, PAL, AUTO |
| Brightness | To select the brightness from: | Normal, Bright, Soft |
| Contrast | To select the contrast level from: | 4, 3, 2, 1, 0, 1, 2, 3, 4 |
| 0 | | |
- NOTE:** Certain DVD discs are formatted in wide screen (16:9) or letter box (4:3) only. Adjusting the setting of the player will not change the screen size for these "Format only" discs.
- The TV system for North America is NTSC. Auto should only be used if you have a Multi-System TV.
- Audio Setup**
- Press the **Direction** keys to highlight the desired AUDIO item.
- | Item | Instruction | Default setting |
|-------------|------------------------------------|-----------------|
| Digital Out | To select the digital output from: | SFDR/RAW |
- NOTE:** When Digital Out is NOT in "off", it is recommended to turn OFF the digital output setting, for the purpose of minimizing the circuit interference.

Custom Setup

- Press the **direction** keys to highlight the desired Custom Item. (Parental Ctrl, Password, Angle Mark, Default)
- A. Parental Ctrl**
- There are eight levels of Parental Control. Level one opens discs to people of all ages. Level eight is suitable only for adults.
- To change the parental control setting, a digit code is required to be input first. (The default code is 8888.) When the input code is confirmed, the level setting menu will appear. Select the appropriate level by the **UP/DOWN** button, and press **ENTER** to confirm.
- B. Password**
- Move the cursor to the **PASSWORD** prompt and press **ENTER**, input the password 8888. If it is the first use, After confirmation, you will be required to input a new 4-digit code, and will begin again.
- WARNING:**
- Please keep a copy of the new password in a safe place. Otherwise, you will not be able to change the Parental Control.
 - Please remember your password, as the **DEFAULT** setting will revert everything BUT the **PASSWORD** to the factory default.
- C. Angle Mark**
- Choose between ON and OFF.
- When the Angle Mark function is ON, an icon will be displayed on screen if the disc has multiple angle shots available for viewing.
- Press **ANGLE** on the remote control to enjoy these scenes.
- D. Default**
- This function allows you to change the player back to the factory default settings. All settings will be changed back to the original settings except the Password.

Trouble Shooting

Symptom	Check and Action
No power	1. Make sure the unit has been powered on normally. 2. Check if the power cord has been properly connected to the power outlet. 3. Make sure the battery pack is fully charged.
Does not play	1. No disc, bad or disc. 2. Disc has been loaded upside down. Place the disc with the label side up. 3. Disc is damaged or is player that the player's setting. 4. Disc is incorrect type for the player. 5. Disc is damaged or dirty. Clean the disc or try another one. 6. Moisture may be condensed inside the player. Remove the disc and leave the unit power on for one or two hours.
No Picture	1. Check if the TV set has been powered on. Use TV remote to select AV signal for DVD rather than broadcast. 2. Check if the video connection is proper and secure. 3. Check if the connector cables are damaged. 4. Clean the disc.
Picture noisy/distorted	1. Disc is damaged or dirty. Clean the disc or try another one. 2. Repeat the connection between the remote control and the player. 3. Make sure the DVD player is not connected through a VCR, cable or satellite dish.
No sound or sound output not complete	1. Check if the TV and amplifier have been switched on and correctly set. 2. Remove the connection between the remote control and the player. 3. Press AUDIO button to select other audio tracks of the disc. 4. Check if the MUTE function of the TV or amplifier has been activated. 5. There will be no sound output during REVERSE PLAY/PAUSE/SLOW and SEARCH .
Remote control does not work	1. Make sure the POWER button on the unit has been turned on manually. 2. Remove the connection between the remote control and the player. 3. Point the remote control towards the remote sensor on the player. 4. Check if the batteries of the remote control have been loaded with correct polarity. 5. Replace the batteries of the remote control.
Malfunction	Should the player develop a malfunction, always play the player for 30 minutes. After this power on the player and the remote function should return the player.

Specification

Power supply	DC 9.0V 2A(AC adapter TERMINAL)
Power consumption	4.8 W
Signal system	NTSC/PAL
Video output	1.0V ZV (p-p), 75ohm, negative sync, 3.5 mm mini jack x1
Audio output	1.5 Vrms (RMS), 8ohm
Expansion terminal	3.5 mm mini jack x2
Signal Noise ratio(audio)	90dB typical
Dynamic range(audio)	90dB typical
Panel size	8.5 inch (16.9cm)
Resolution	1440 x 720 pixels
Laser	160nm/900 nm
Operating conditions	Temperature: 0.3 to 35.3 (Operation status: Horizontal)
Dimensions	225 x 170x228 mm (main unit)
Height	85mm (main unit)

Free Manuals Download Website

<http://myh66.com>

<http://usermanuals.us>

<http://www.somanuals.com>

<http://www.4manuals.cc>

<http://www.manual-lib.com>

<http://www.404manual.com>

<http://www.luxmanual.com>

<http://aubethermostatmanual.com>

Golf course search by state

<http://golfingnear.com>

Email search by domain

<http://emailbydomain.com>

Auto manuals search

<http://auto.somanuals.com>

TV manuals search

<http://tv.somanuals.com>