

**INSTRUCTION  
MANUAL**

**NIGHT-VISION  
CYCLOPS COLOR CAMERA**

**MODEL HDC255**



**CLOVER**  
Electronics USA

**Copyright © 2007 Clover Electronics U.S.A. All Rights Reserved.**

## PRECAUTIONS

- To avoid electrical shock, do not open the case of this product.
- Operate this product using only the supplied AC Power supply.
- Do not overload electrical outlets or extension cords; this can result in fire or electric shock.
- Keep this product away from strong magnetic fields.
- Do not expose this product in direct sunlight or strong reflected rays.
- Refer servicing to qualified personnel only.
- Do not change or modify this product, the warranty will be voided.

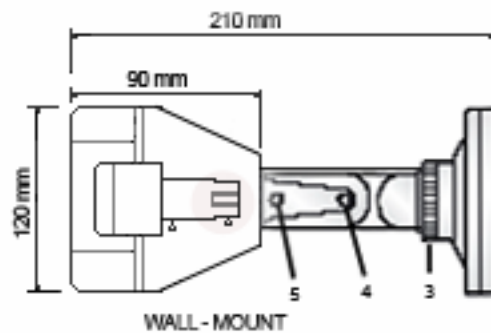
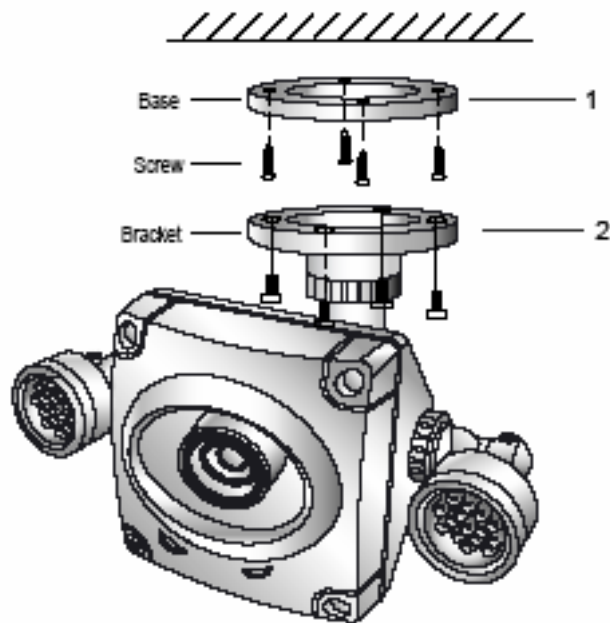
## FEATURES

- Weatherproof (IP67)
- 1/3" Sony Super HAD CCD
- High Resolution 560 TV Lines
- Rugged Steel Construction
- Dual Illuminators (total 36 Infrared LEDs with 2 CDS sensors)
- Up to 90' IR range (depends on scene reflection)
- DC Auto Iris Vari-focal Lens (4-9mm)
- Attached Universal Mounting Bracket and 100' cable
- DC12V Power Source

## INSTALLATION

1. Attach the mounting bracket base ring① to the wall or ceiling, wherever you want to install the camera. Locate a wall stud or ceiling joist and secure the bracket base ring using the supplied screws. Attach the mounting bracket② to the base ring① and secure them using the supplied screws.
2. Lock the mounting bracket with the locking ring③.
3. Turn the pivot locking screw④ with the provided hex-head wrench counter-clockwise to set the desired angle of camera toward objects and turn it clockwise to secure. It can be used for wall-mount or ceiling-mount application depending on setting this pivot locking screw.
4. Loosen the locking screw⑤ with the provided hex-head wrench and turn the camera clockwise or counter-clockwise to upright images on the screen and turn it clockwise to secure.
5. Connect the one end of 100' cable (supplied) to the Din jack of 5' cable attached to the camera. Make sure that two arrows on the top of them should be aimed at each other. Connect the other end (BNC or RCA) of cable to the video devices such as

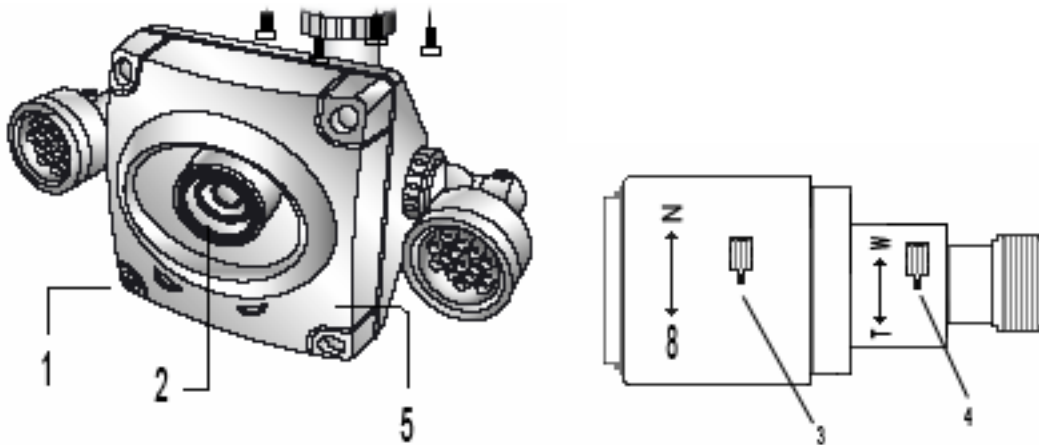
DVR, monitor/TV. Plug the provided AC adapter to the DC jack (red) of the end of 100' cable.



## HOW TO ADJUST ANGLE OF VIEW

1. Turn the four screws① with the provided hex-head wrench counter-clockwise to remove the front cover of the camera.
2. Vari-focal lens②  
Easily changeable angle of view: 4 to 9mm

3. T↔W (Tele ↔ Wide)③  
Turn this knob clockwise or counter-clockwise to set the focal length. Secure the knob clockwise after setting.
4. ∞↔N④  
Turn this knob clockwise or counter-clockwise to set the focus. Secure the knob clockwise after setting.
5. Assemble the front cover⑤ and make sure firmly tighten the four screws to prevent water leakage.



**Note:**

- Apply the provided AC adapter only.
- The total length of cable must not exceed 200' including extension cable.

## TROUBLE SHOOTING

If the camera does not function properly, check the following points before contacting the service center.

| Troubles | Remedies                             |
|----------|--------------------------------------|
| No video | Check the AC adapter and video cable |

|   |  |
|---|--|
|   | between the camera and a monitor   |
| The image on the screen is dark   | Check the brightness control on the monitor  |
| The image on the screen is dim  | Check if the lens is stained. If dirty, clean it with soft and clean cloth                                       |
| The camera is not working properly, and the surface of the camera case is hot | Check if you have connected the provided AC adapter  |
| The contrast on the screen is too weak  | Adjust the contrast feature of the monitor. If the camera is exposed under too strong light, change the position |
| The image on the screen flickers  | Does the camera face to directly to the sunlight or fluorescent light? Change the camera position                |
| Picture rolls and jumps, scrambled picture                                    | Improper V-hold control. Setting on your monitor   |
| Picture smaller than screen   | House current may be too low   |

## SPECIFICATIONS

- Image sensor 1/3" Sony Super HAD CCD, 811H x 508V
- Effective pixels 768H x 494V
- Scanning system 525 lines, 2:1 interlace
- Horizontal resolution 560 TV lines
- Shutter speed Auto, Manual (1/60 to 1/120,000 sec)
- Sync. System Internal
- S/N ratio more than 50db (AGC off)
- Minimum illumination 0.01 Lux @F1.2
- Video output Composite 1.0Vp-p @75 Ω
- AGC Auto
- Digital Noise Reduction Auto
- White balance Auto
- Lens DC Auto Iris Vari-focal Lens 4mm to 9mm
- Current consumption 400mA Max @DC15V
- Power supply DC 15V, 1.5A
- Operating temperature -10°C to 50°C
- Dimensions 120 (W) x 120(H) x 194 (D)mm
- Weight 2.9 Lbs

## LIMITED 2 YEAR WARRANTY

This warranty gives the original purchaser specific legal rights and you may also have other rights, which vary from state to state. If our products do not function because of any

defect in material or workmanship, we will repair free of charges for 2 years on parts and labor from the date of original purchase. This warranty does not cover modification, abuse, incidental or consequential damages unless the state of owner's residence specially prohibits limitations on incidental or consequential damages.

## **HOW TO OBTAIN FACTORY SERVICE**

1. Original purchaser must fill out a warranty card and mail it to the factory with model number, serial number and the date of purchase.
2. We will repair or replace, and return to the owner the system under this limited warranty.
3. Please pack the system carefully and securely using the original packing materials, and send it prepaid and insured to: 13073 E. 166<sup>th</sup> St, Cerritos, CA 90703.
4. Please include a check for \$25.00 to cover the cost of return postage and handling. If the system is returned within the warranty period, please include a proof of purchase. If the system is out of warranty, you will receive an estimate of the repair cost for your approval before repair work will be begun.

## **AVAILABLE ACCESSORIES**

|         |   |
|---------|---|
| CDR4010 | Stand-alone 4 CH Digital Video Recorder (DVR).  |
| CDR4170 | Stand-alone 4 CH Digital Video Recorder (DVR).  |
| CDR1610 | Stand-alone 16 CH Digital Video Recorder (DVR). |
| CDR0850 | Stand-alone 8 CH Digital Video Recorder (DVR).  |
| CA100H  | 100' 6pin Din Extension cable.                  |

## **PACKAGE INCLUDES**

- 1-Night Vision Cyclops Color Camera
- 1-100' 6pin Din Cable
- 1-UL Approved AC Adapter
- 1-BNC to RCA Adapter
- 1-Hardware Accessories Kit
- 1-Instruction Manual
- 1-Warranty Registration Card

## Free Manuals Download Website

<http://myh66.com>

<http://usermanuals.us>

<http://www.somanuals.com>

<http://www.4manuals.cc>

<http://www.manual-lib.com>

<http://www.404manual.com>

<http://www.luxmanual.com>

<http://aubethermostatmanual.com>

Golf course search by state

<http://golfingnear.com>

Email search by domain

<http://emailbydomain.com>

Auto manuals search

<http://auto.somanuals.com>

TV manuals search

<http://tv.somanuals.com>