

OPERATING INSTRUCTIONS FOR YOUR



CORDLESS TELEPHONE MODEL CP-705



How To Use Your



Cordless Telephone Model CP-705

U.S. PATENT 4876709

Introduction

Thank you for your purchase of a Cobra® INTENNA® Cordless Telephone — **the world's first and only full-range-power cordless telephone without any external antennas!**

No more extending, bending, or breaking the telescopic metal antennas found on traditional cordless phones — your Cobra INTENNA **conceals its antenna systems inside the handset and base**, where they should be, out of your way.

Now you can install your new Cobra INTENNA cordless phone virtually anywhere. Without cumbersome external antennas to worry about, put your new phone anywhere a corded phone can go! Then enjoy the freedom of using your new cordless phone all over the house as well as outside in your yard.

Your new Cobra Model CP-705 is also the **most technologically advanced** cordless phone in Cobra's new INTENNA series. It has **ten selectable channels** (the maximum number available) for optimum interference-free use. And its patented **Cobra Clear Call® PLUS Circuitry with compander noise-reduction system** ensures corded-phone sound quality.

Please take a moment to review this booklet and become familiar with all of the many user-friendly convenience features built into your new Cobra INTENNA Cordless Phone.

If you need further assistance installing or using your new phone, please **call our toll-free consumer "hotline" at 1-800-COBRA 22** between 8:30 a.m. and 5:00 p.m. (Central Time) Monday through Friday.

Installation Information

Your Cobra INTENNA Cordless Telephone without any external base or handset antennas offers **many new installation choices** compared to traditional cordless phones with telescopic antennas. Your new phone can be located under cabinets, next to lamps, on crowded countertops and in other tight spaces that were previously inaccessible to cordless phones.

Maximum range is obtained by installing the base unit in the highest living area of your home. The location you choose must be near an electrical outlet and a telephone wall jack. (To minimize electrical interference, avoid plugging your cordless phone into the same electrical outlet that has a charging unit for a cordless vacuum, screwdriver or other electronic device.)

Installation Information (Cont.)

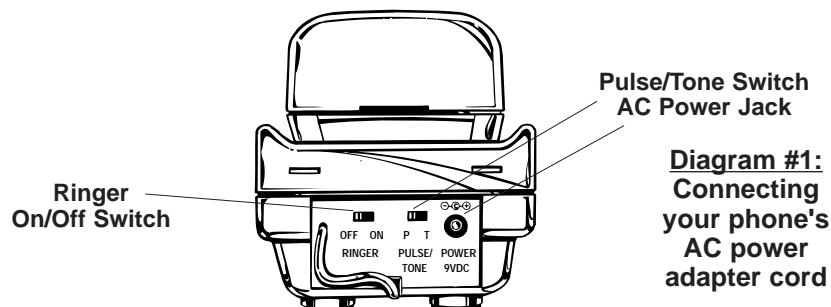
- Never install telephone wiring during a lightning storm.
- Never install telephone jacks in wet locations unless the jack is specifically designed for wet locations.
- Never touch uninsulated telephone wires or terminals unless the telephone line has been disconnected at the network interface.
- Use caution when installing or modifying telephone lines.

Quick Set-Up Guide

The following basic steps enable quick and easy installation of your new Cobra INTENNA cordless phone for use on a desk or countertop. You are encouraged to review this complete instruction manual to become familiar with all of the operating instructions and features of your new phone.

NOTE: Before using, connect your new phone to AC power — see instruction below — to charge it overnight (at least 12 hours) for optimum conditioning of the rechargeable batteries inside the cordless handset.

- Insert the round connector of the power adapter into the POWER jack (at the rear of the cordless phone's base; see diagram #1 below) and plug the power adapter into a standard 110V household electrical outlet. Then place the handset into the base so the CHARGE indicator lights.



STOP: Charge your phone overnight before proceeding with installation.

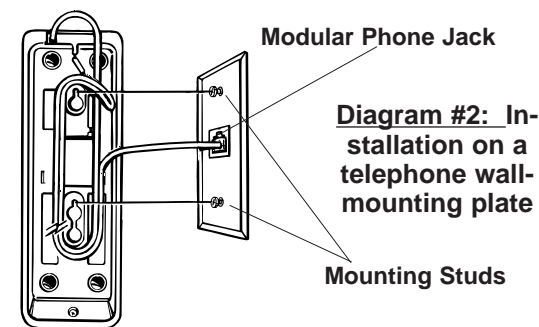
- After charging, remove the twist-tie from the phone cord and plug the modular telephone connector into the phone jack on your wall.
- Make sure that the RINGER switch is ON (located at the rear of the base).
- Set the PULSE/TONE switch (also at the rear of the base) for proper operation (see page 7 for details).

(2)

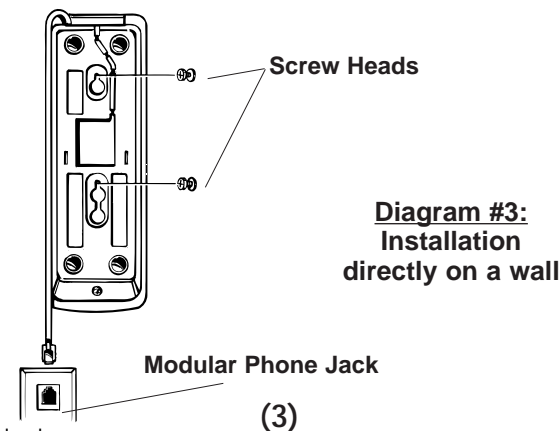
Wall Mounting Instructions

The following steps enable installation on a **new or existing telephone wall-mounting plate or directly onto a wall.** (Your Cobra INTENNA is designed to be used with any AT&T, GTE, local phone company or other wall-mounting plates that can be purchased from most local electronics stores.)

- Plug modular phone connector into telephone wall jack.
- Align mounting studs on the plate to the holes on the bottom of the INTENNA base; push base onto studs and slide down on the wall plate.



- Wrap doubled cord around bottom of base. Cord can be hidden between bottom of base and wall-mounting plate.
- Attach the power adapter to the POWER connection (on the base of the phone) and plug into a household AC power outlet.
- To install directly on any wall, you'll need to provide two screws and wall anchors; follow these steps:
 - Drill two holes 3 1/4" apart and insert the wall anchors.
 - Drive the screws into the anchors until the head of each screw is protruding about 1/8" from the wall.
 - Align the holes in the cordless base over the screw heads; push base in and slide down on screws (see diagram #3).
 - Plug modular phone connector into telephone wall jack; attach the power adapter to the POWER connection (on the base of the phone) and plug into a household AC power outlet.



(3)

Using Your Phone

After charging the handset batteries overnight (at least 12 hours), use your Cobra INTENNA cordless phone like any corded phone. With Cobra's AUTO STANDBY feature, just pick the handset up to answer or place a call.

ANSWERING/PLACING CALLS AT THE BASE WITH "AUTO STANDBY" and "AUTO ANSWER"

- Activate AUTO STANDBY by pressing and releasing the TALK button on the handset. The TALK light will illuminate.
- **Return handset to base without pressing the TALK button.** Now there will be no need to use the TALK button to answer a call unless you keep the handset away from the base for extended periods (see below). When the phone rings, just pick up and talk.
- After placing or answering a call, return the handset to the base without pressing the TALK button; your phone automatically disconnects the call and resets the AUTO STANDBY feature.
- To place a call, lift the handset and press the TALK button. Listen for dial tone and dial the number.

REMOTE ANSWERING/PLACING CALLS (AWAY FROM THE BASE)

- **The TALK indicator (the lighted TALK button) must be OFF when the handset is away from the base.** The phone is now in STANDBY mode, ready to ring if a call is received.
- Press and release the TALK button (the indicator will light) to answer or place a call.
- Press and release the TALK button when finished with a call in order to "hang up" the phone.

(4)

Operational Features

The following features offer state-of-the-art performance and the ultimate in user-friendly convenience with your new Cobra INTENNA cordless telephone.

AUDIO PERFORMANCE

Your Cobraphone has Clear Call® PLUS Circuitry with compander noise-reduction system for optimum audio performance without background noise.

AUTO STANDBY

This feature enables answering and placing calls just like a corded phone. (See page 4 for instructions on activating this feature.)

BATTERY SAVER CIRCUITRY

The handset of this phone may be kept on standby mode (TALK light OFF) for a few days at a time in a convenient location away from the recharging base. In this condition, it is ready to answer or place calls by pressing and releasing the TALK button. The duration of the battery saver feature will depend on your actual use of the phone in its remote location.

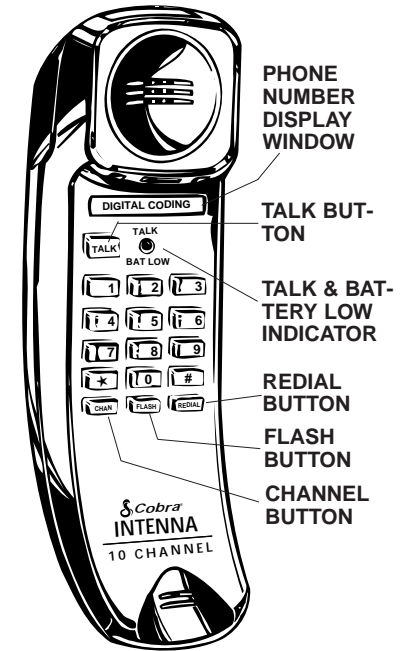
Note: A warning beep tone will sound (and the BAT indicator will flash) when the handset batteries need overnight recharging.

CHANNEL SELECTION

Ten selectable transmitting/receiving channels (the maximum available) are built into your Cobra INTENNA for optimum interference-free use.

You may need to change channels if you experience interference (noise, static, or poor audio):

- With TALK light on, press and release the CHAN button on the handset to advance to a new channel. A series of beep tones (2 groups of 2 beeps) will sound to indicate successful channel change.
- An alert tone (three beeps) will sound if a new channel is unavailable due to interference. In that case, move closer to your cordless base and try to change channels again.



(5)

DIGITAL SECURITY CODING

Your Cobra INTENNA features digital security coding (in accordance with FCC regulations) to reduce the chance of interference from your neighbors' cordless phones. These inaudible, electronic codes are transmitted automatically by your phone to establish a secure link between your cordless handset and base.

DISPLAY WINDOW

Use the back of card on the handset (marked "DIGITAL CODING") to write your phone number. (Use the tip of a paper clip to pry off the protective plastic cover.)

FLASH

This feature briefly interrupts the phone line so that you may access some of the advanced features — like "Call Waiting" and "Three-Way Calling" — that may be offered at extra cost by your local telephone company. Press and release the FLASH button on the handset to answer a second phone call or place a conference call if you subscribe to these services.

HEARING AID COMPATIBILITY

Your cordless telephone handset is compatible with inductively coupled hearing aids.

INTENNA SYSTEM

The revolutionary, patented INTENNA hidden-antenna system is a Cobra exclusive. Now you own the world's first and only full-range-power cordless telephone that conceals the handset and base antennas inside the phone and out of the way. No more traditional metal antennas to extend, bend or break. Cobra's hidden antennas are perfectly matched to your phone's microprocessor circuitry for optimum performance — and they offer the ultimate in user-friendly convenience.

LAST NUMBER REDIAL

Each time you dial, the phone number you're calling is automatically saved in a special REDIAL memory. To call that number again — especially useful after receiving a busy signal — press and release the REDIAL button on the handset and the number will be automatically redialed.

OUT-OF-RANGE SIGNAL

If three beeps are heard immediately after the TALK switch is pressed, the handset is too far away from the base. The handset and TALK indicator will automatically turn off. Move closer to the recharging base and then try your call again.

POWER FAILURE RESET

After a power failure in your home (or any time you unplug your phone from AC power and then reconnect it), you must return the cordless handset to the base for about five seconds. This automatically resets the matching digital security codes and returns the channel selector to its start-up setting.

PULSE/TONE SWITCH

Your Cobra INTENNA cordless phone can be used with any phone system because it is switchable from pulse to tone dialing (see switch on rear of the base) depending on which service you are using. When using pulse dialing, mixed PULSE and TONE dialing may be used (to access certain long-distance or computerized banking services, for example) by selecting PULSE with the base switch and then using the ★ button on the handset to temporarily switch to TONE dialing. Hanging up resets to PULSE.

RINGER SWITCH

This ON/OFF switch (located at the rear of the base) controls your cordless handset's electronic ringer; no ring will sound in the OFF position.

SECUR-LOC®

This exclusive Cobra electronic circuitry is an added security measure to protect your phone line from being accidentally accessed by a neighbor's cordless phone. Secur-Loc activates automatically every time your cordless handset is placed into its base.

Rechargeable Battery Information

NOTE: Before using your new Cobra INTENNA cordless telephone for the first time, you must charge the batteries overnight (at least 12 hours) for optimum long-life conditioning of the nickel-cadmium rechargeable handset batteries.

BATTERY RECHARGING

When your cordless handset batteries need recharging, the following warning measures will remind you to immediately return the handset to the base for recharging (this normally requires at least 12 hours of continuous charging):

- 1) The BAT indicator on the handset will flash.
- 2) A warning beep will sound while you are using the phone (this indicates you have only a few minutes of battery power remaining to complete your conversation before the phone disconnects).
- 3) When the handset has been away from the base for a few days and is in need of recharging, the handset will beep in 30 second intervals for five minutes. Return handset to base for recharging.

NOTE: The CHARGE indicator will remain on as long as the handset is in the base, even after the batteries are fully recharged. **The batteries will not be damaged if the handset remains in the base continuously;** the charging system is self-adjusting and will never overcharge the batteries.

REPLACING THE BATTERIES

Routine use of your cordless phone may deplete the rechargeable batteries in three to four years (depending on actual level of usage). The batteries will need to be replaced when the handset no longer accepts recharging and will not function when the TALK button is pressed.

Replacement batteries are available from any Cobra service station or direct from Cobra (see accessories instructions/order form at the end of this booklet). To replace:

- 1) Remove the phone number display window and card.
- 2) Remove screw in center recessed area.
- 3) Use a coin in the slot at the top to carefully pry open front from back of handset.
- 4) Carefully take off back of handset.
- 5) Unplug the connector cord and discard old batteries.
- 6) Position and connect new battery.
- 7) Put back and front together so that hooks at bottom engage. Then apply pressure to both sections to reassemble.
- 8) Replace screw in center of phone number section. Return card and window to area.
- 9) Put handset in base charging well and allow batteries to charge 12 hours.

A Few Words About Cordless Phone Performance

Your Cobra INTENNA cordless phone uses radio transmission to communicate between the base and handset. It is thus subject to occasional interference—static or buzzing noises, for example. These conditions may be caused by electrical motors on household appliances, fluorescent lights, electrical storms and other sources.

These steps will enhance the maximum performance of your new phone:

- Change channels by pressing the CHAN button on the handset if you experience interference.
- Don't cover the upper section of the cordless handset with your hand (see diagram #4). This may block the internal antenna located at the top of the handset, possibly reducing the phone's range and audio clarity. Always hold the handset at the middle or close to the bottom.



CORRECT



INCORRECT

Diagram #4:
Hold the cordless handset at the middle or bottom area of your phone for best performance.

- Avoid resting the handset on your shoulder during conversations; this may also block the performance of the internal antenna.
- Don't plug your phone's power cord into an active AC outlet that also provides power for a major appliance or for charging units for cordless appliances (vacuums, screwdrivers, etc.) or other electronic devices.
- Performance of your phone may be improved by uncoiling the base telephone cord (because the INTENNA hidden-wire antenna system is inside the phone cord).

Troubleshooting Guide

If your cordless phone does not seem to operate properly, please check the following and refer to the appropriate sections in this booklet for detailed information:

- **The phone is dead; no indicator lights are on:** Are the power cord and telephone cord connected?
- **Handset beeps during conversations or when away from the base:** The batteries need recharging; return the handset to the base for overnight recharging.
- **Hearing poor audio or added interference during calls:** Don't cover the top section of the handset with your hand or rest the phone on your shoulder. This blocks the special internal Cobra INTENNA handset antenna.
- **Handset disconnects, loses performance and/or beeps three times when in use away from the base:** You may be out of range or your batteries may need recharging. Move closer to the base and/or recharge batteries.
- **Unable to make a call due to interference:** Move center closer to the base unit and change channels.
- **Handset won't work after a power outage or after disconnecting phone from AC power and then reconnecting it:** Return the handset to the base for about five seconds to automatically reset the security coding and channel selector.

For technical assistance, please call our Automated Help Desk which can assist you by answering the most frequently asked questions about Cobra products.

(773) 889-3087

24 hours a day, 7 days a week.

A Consumer Service Representative can be reached through this same number 8:00 am - 8:00 pm, Monday through Friday, CST. Technical assistance is also available on-line in the Frequently Asked Question (FAQ) section at www.cobraelec.com or by e-mail to productinfo@cobraelec.com

IF YOU THINK YOU NEED SERVICE CALL 1-773-889-3087

"If your product should require factory service please call Cobra first before sending your unit in. This will ensure the fastest turn-around time on your repair."

You may be asked to send your unit to the Cobra factory. It will be necessary to furnish the following in order to have the product serviced and returned.

1. For Warranty Repair include some form of proof-of-purchase, such as a mechanical reproduction or carbon or a sales receipt. If you send the original receipt it cannot be returned.
2. Send the entire product. For example—must include base, handset, cords and power adapter furnished with the product.
3. Enclose a description of what is happening with the unit. Include a typed or clearly printed name and address of where the unit is to be returned.
4. Pack unit securely to prevent damage in transit. If possible, use the original packing material.
5. Ship prepaid and insured by way of a traceable carrier; such as United Parcel Service (UPS) or First Class Mail; to avoid loss in transit to Cobra Factory Service, Cobra Electronics Corporation, 6500 W. Cortland St., Chicago, IL 60707.
6. If the unit is in warranty, upon receipt of your unit it will either be repaired or exchanged depending on the model. Please allow approximately 3 to 4 weeks before contacting us for status. If the unit is out of warranty a letter will automatically be sent informing you of the repair charge or replacement charge. If you have any questions, please call 1-773-889-3087 for assistance.

REGISTERED WITH THE FCC

Please note: This cordless telephone operates under part 15 and part 68 of FCC rules. Operation is subject to two conditions: 1) It may not interfere with radio communications, and 2) It must accept any interference received, including that which may cause undesirable operation. See the Operational Features section of this booklet for ways to reduce interference.

Your telephone company is required by the Federal Communications Commission to allow you to connect FCC registered telephones to their lines.

The FCC requires you to provide information, if requested by the local telephone company, about the connection of an FCC registered telephone to their lines. They may ask you for the FCC registration number and ringer equivalence number (REN), both of which are on the bottom of the base. They may also ask for the Universal Service Order Code (USOC) number which is RJ-11C. It is illegal to use this phone on a party line or to connect it to a coin-operated telephone.

Limited One-Year Warranty

Cobra Electronics Corporation warrants that its Cobra cordless telephone products, and the component parts thereof, will be free of defects in workmanship and materials for period of one (1) year from the date of first consumer purchase. This warranty may be enforced by the first consumer purchaser provided that the product is utilized within the U.S.A.

Cobra will, without charge, repair or replace, at its option, defective cordless telephone products or component parts upon delivery to the Cobra factory Service Department, accompanied by proof of the date of first consumer purchase, such as a duplicated copy of a sales receipt.

You must pay any initial shipping charges required to ship the product for warranty service. The return charges will be at Cobra's expense if the product is repaired or replaced under warranty. For further details concerning procedures for obtaining service, see the "If You Think You Need Service" section of this Owner's Manual.

Exclusions: This limited warranty does not apply 1) to any product damaged by accident, improper line voltage or weather related circumstances; 2) in the event of misuse or abuse of the product or as a result of unauthorized alterations or repairs; 3) to non-defective original equipment Nickel Cadmium rechargeable batteries; 4) if the serial number has been altered, defaced or removed; or 5) if the owner of the product resides outside the U.S.A.

All implied warranties, including warranties of merchantability and fitness for a particular purpose, are limited in duration to the length of this warranty.

Cobra shall not be liable for any incidental, consequential or other damages, including, without limitation, damages resulting from loss of use or cost of installation.

Some states do not allow limitations on how long an implied warranty lasts and/or do not allow the exclusion or limitation of incidental or consequential damages, so the above limitations may not apply to you.

This limited warranty gives you specific legal rights, and you may also have other rights which vary from state to state.

Cobra Electronics Corporation
6500 W. Cortland Street
Chicago, Illinois 60707

In addition to its exclusive series of *Intenna* cordless telephones and answering systems, Cobra is also one of America's leading brands of CB radios and accessories, and Safety Alert® radar/laser detectors.

Cobra Cordless Phone Accessories

Description	Part No.	Cost Ea.	X Qty.	= Amount
BATTERY PACK ASSEMBLY WITH CONNECTOR For use with model CP-705	213-013-9-001	\$15.00		
AC POWER ADAPTER For use with model CP-705	545-078-N-001	\$10.00		
EXTRA CHARGING CRADLE (IVORY ONLY) For use with CP-705	545-055-N-001	\$20.00		

(Prices subject to change without notice)

** Illinois residents add 7%
 ** Cook Co. residents add .75% (7.75% total)
 ** Chicago residents add 1% (8.75% total)
 ** Indiana residents add 5%
 ** Michigan residents add 4 %
 ** Minnesota residents add 6%
 ** Ohio residents add 6%
 ** Wisconsin residents add 5%

Amount _____
 (Tax if applicable) _____
 Shipping/handling **\$3.75** _____
 Total _____

Make check or money order (no stamps) payable to:
 Cobra Accessories Dept.
 6500 W. Cortland St., Chicago, IL 60707
 Call 1-773-889-3087 or FAX 1-773-622-2269 (for credit card orders)

Allow 4 to 6 weeks for delivery. Offer valid in Continental U.S. only.

Please print clearly:

Name _____
 Address (Not P.O. Box) _____
 City _____ State _____ Zip _____
 Credit Card No. _____ Exp. Date _____
 Customer Signature _____
 Circle One: Visa MasterCard Discover



COBRA ELECTRONICS CORPORATION
6500 West Cortland Street
Chicago, IL 60707

Important Safety Instructions

When using your telephone equipment, basic safety precautions should always be followed to reduce the risk of fire, electric shock and injury to persons, including the following:

1. Read and understand all instructions.
2. Follow all warnings and instructions marked on the product.
3. Unplug this product from the wall outlet before cleaning. Do not use liquid cleaners or aerosol cleaners. Use a damp cloth for cleaning.
4. Do not locate base unit near water, for example, near a bath tub, wash bowl, kitchen sink, or laundry tub, in a wet basement or near a swimming pool.
5. Do not place this product on an unstable cart, stand or table. The product may fall, causing serious damage to the product.
6. Slots and openings in the cabinet and the bottom or back are provided for ventilation, to protect it from overheating; these openings must not be blocked or covered. The openings should never be blocked by placing the product in the bed, sofa, rug or other similar surface. This product should never be placed near or over a radiator or heat register. This product should not be placed in a built-in installation unless proper ventilation is provided.
7. This product should be operated only from the type of power source indicated on the marking label. If you are not sure of the type of power supply to your home, consult your dealer or local power company.
8. Do not allow anything to rest on the power cord. Do not locate this product where the cord will be abused by persons walking on it.
9. Do not overload outlets and extension cords as this can result in the risk of fire or electric shock.
10. Never push objects of any kind into this product through cabinet slots as they may touch dangerous voltage points or short out parts that could result in a risk of fire or electric shock. Never spill liquid of any kind on the product.
11. To reduce the risk of electric shock, do not disassemble this product, but take it to qualified servicemen when service or repair work is required. Opening or removing covers may expose you to dangerous voltages or other risks. Incorrect reassembly can cause electric shock when the appliance is subsequently used.
12. Avoid using telephone (other than a cordless type) during an electrical storm. There may be a remote risk of electric shock from lightning.
13. Do not use the telephone to report a gas leak in the vicinity of the leak.

(OVER)

Important Safety Instructions (continued)

14. Unplug this product from the wall outlet and refer servicing to qualified service personnel under the following conditions:
- A. When the power supply cord or plug is damaged or frayed.
 - B. If liquid has been spilled into the product.
 - C. If the product has been exposed to rain or water.
 - D. If the product does not operate normally by following the operating instructions. Adjust only those controls that are covered by the operating instructions because improper adjustment of other controls may result in damage and will often require extensive work by a qualified technician to restore the product to normal operation.
 - E. If the product has been dropped or the cabinet has been damaged.
 - F. If the product exhibits a distinct change in performance.

The cordless handset operates on batteries, please read and follow instructions:

- A. Use only the battery pack supplied with the unit:
3.6 volt, 270 mAh, rechargeable nickel-cadmium battery pack.
 - B. Do not dispose of battery pack in a fire. The cells may explode. Check with local codes for possible disposal instruction.
 - C. Since released electrolyte is corrosive and may cause damage to eyes or skin and may be toxic if swallowed:
 - C1. Do not open or mutilate battery pack.
 - C2. Always replace the entire battery pack rather than reusing one or more cells.
 - C3. Do not expose batteries to heat or flame.
 - D. Exercise care in handling the battery pack in order not to "short" the battery contacts with conducting materials such as rings, bracelets, and keys. The battery or conductor may overheat and cause burns.
15. Never install telephone wiring during a lightning storm.
16. Never install telephone jacks in wet locations unless the jack is specifically designed for wet locations.
17. Never touch uninsulated telephone wires or terminals unless the telephone line has been disconnected at the network interface.
18. Use caution when installing or modifying telephone lines.

Save These Instructions

WARNING: TO PREVENT FIRE OR ELECTRIC SHOCK HAZARD DO NOT EXPOSE THIS PRODUCT TO RAIN OR MOISTURE



THE LIGHTNING FLASH AND ARROW WITHIN THE HEAD WITHIN THE TRIANGLE IS A WARNING SIGN ALERTING YOU OF "DANGEROUS TO VOLTAGE" INSIDE THE PRODUCT.

CAUTION

RISK OF ELECTRIC SHOCK
DO NOT OPEN

CAUTION: TO REDUCE THE RISK OF ELECTRIC SHOCK DO NOT REMOVE COVER (OR BACK). NO USER SERVICEABLE PARTS INSIDE. REFER SERVICING TO QUALIFIED SERVICE PERSONNEL.



THE EXCLAMATION POINT WITHIN THE TRIANGLE IS A WARNING SIGN ALERTING YOU OF IMPORTANT INSTRUCTIONS ACCOMPANYING THE PRODUCT.

SEE MARKING ON BOTTOM/BACK OF PRODUCT

Free Manuals Download Website

<http://myh66.com>

<http://usermanuals.us>

<http://www.somanuals.com>

<http://www.4manuals.cc>

<http://www.manual-lib.com>

<http://www.404manual.com>

<http://www.luxmanual.com>

<http://aubethermostatmanual.com>

Golf course search by state

<http://golfingnear.com>

Email search by domain

<http://emailbydomain.com>

Auto manuals search

<http://auto.somanuals.com>

TV manuals search

<http://tv.somanuals.com>