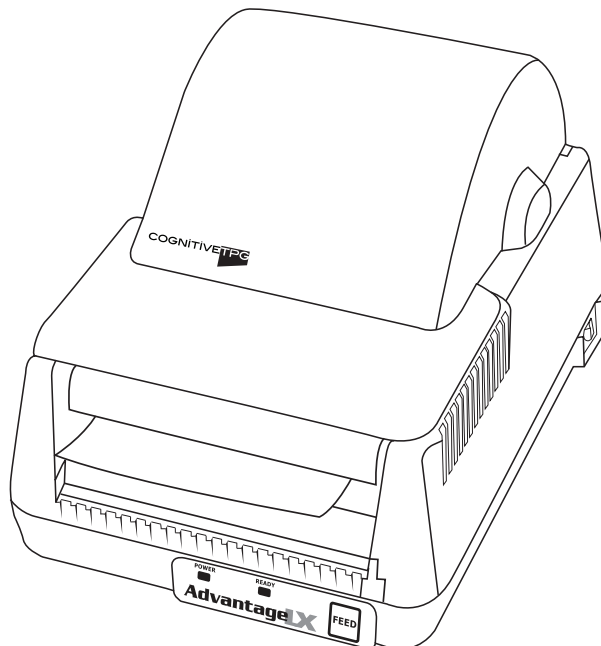


Advantage LX Desktop Label Printer

USER GUIDE



COGNITIVE TPG

Copyright © 2012, CognitiveTPG

CognitiveTPG™ is a trademark of CognitiveTPG, LLC. Microsoft® and Windows™ are trademarks of Microsoft Corporation. Other product and corporate names used in this document may be trademarks or registered trademarks of other companies, and are used only for explanation and to their owner's benefit, without intent to infringe.

All information in this document is subject to change without notice, and does not represent a commitment on the part of CognitiveTPG. No part of this document may be reproduced for any reason or in any form, including electronic storage and retrieval, without the expressed written permission of CognitiveTPG. All program listings in this document are copyrighted and are the property of CognitiveTPG and are provided without warranty.

To contact CognitiveTPG,
Write, email, or call:

CognitiveTPG
950 Danby Road
Suite 200
Ithaca, NY 14850

E-Mail: marketing@cognitivetpg.com
Telephone: 607-274-2500
Toll free: 800-732-8950
Fax: 607-274-2449

Technical Support: 800-732-8950, extension 4

Table of Contents

Chapter 1: Introduction.....	4
Welcome	4
Package Contents	4
Operating Environment.....	4
Printer Feature Overview	5
Chapter 2: Printer Installation	8
Setting up the Advantage LX Printer.....	8
Loading Thermal Transfer Ribbon.....	10
Self-Testing:.....	12
Chapter 3:	
Installing CognitiveTPG Printer Administrator and Print Drivers	13
Downloading CognitiveTPG Printer Administrator	13
CognitiveTPG Printer Administrator Utility.....	14
Chapter 4: Cleaning and Maintenance	23
Cleaning the Printer	23
Cleaning Supplies	23
Chapter 5: Troubleshooting & Default Settings	24

Chapter 1: Introduction

Welcome

Congratulations on the purchase of a CognitiveTPG Advantage LX desktop label printer. The Advantage LX carries on the well-known durability of the widely used Blaster printer line.

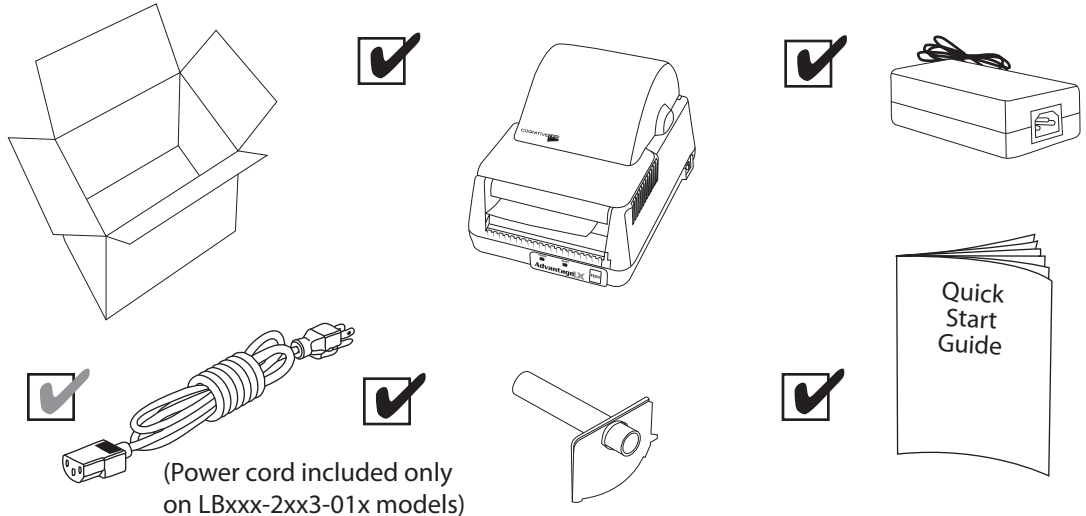
CognitiveTPG is committed to providing a reliable product and user experience. This user guide provides information on how to install the printer and includes all necessary user support information.

Package Contents

The Advantage LX box will contain the following parts:

- (1) Advantage LX Printer
- (1) Quick Start Guide
- (1) Auto Ranging Power Supply (24 DC output)
- (1) Power Cord (Included only on LBxxx-2xx3-01x models)
- (1) Spindle and Media Guide (Installed in Printer)

IMPORTANT!
ADVANTAGE LX
PRINTERS WITH
SERIAL NUMBERS
STARTING WITH "L"
HAVE BEEN UPDATED
TO USE A 24 VDC AUTO
RANGING POWER
SUPPLY (INCLUDED
WITH PRINTER).
PREVIOUS 19VAC
POWER SUPPLIES WILL
NOT WORK WITH THE
UPDATED PRINTERS.



Operating Environment

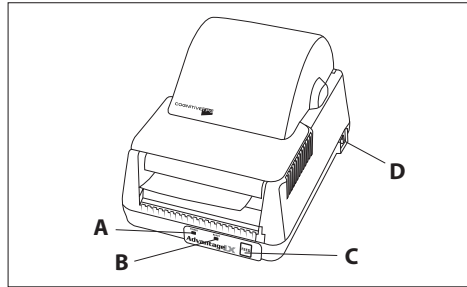
- 41°F to 104°F (5°C to 40°C)
- 20% to 85 % non-condensing R. H. (relative humidity)

Storage and Transportation Environment

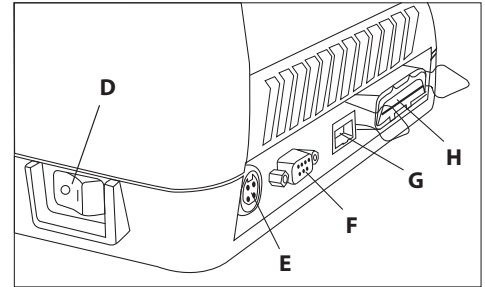
- -4.0°F to 122°F (-20°C to 50°C)
- 5% to 95% non-condensing R. H. (relative humidity)

Printer Feature Overview

Front/Rear View




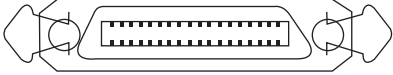

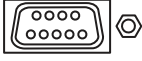


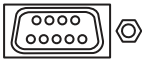

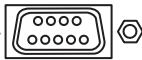

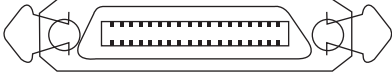

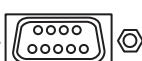
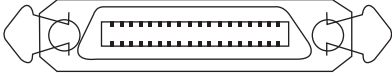
Front View


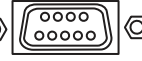

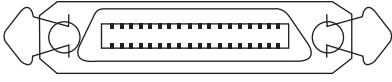


Rear View
Serial, Parallel, Ethernet
(4-inch Model Shown)

Component	Function
A - Power Indicator	Indicates power status
	ON – printer on and ready to print
	OFF- no power applied
B - Ready Indicator	Indicates printer status
	GREEN – printer ready to accept data
	RED – printer error, empty media roll, or paused operation during batch mode processing
C - Feed Button	OFF- no power applied
	Press to advance media
D - On/Off Switch	Press and hold while turning unit on to initiate self test and print configuration label
	Turns printer power On/Off
E - Power Connector	Input for auto-ranging power supply
F - Serial Port	Serial (DB9) bidirectional communications port - DTE device (Use null modem cable)
G - Ethernet Port	10/100 Ethernet port
H - Parallel Port	Parallel (1284-B 36-Pin Centronics) unidirectional communications port

Advantage LX Communication Interfaces (2" and 4" Model Detail)

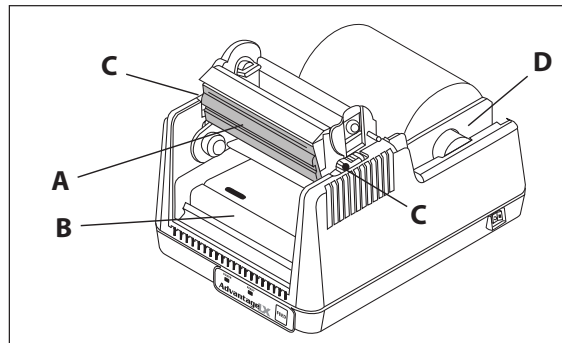
	2"			4"
				
				
				
				
				

KEY				
	DC	SERIAL 9-PIN (DTE Device)	ETHERNET	CENTRONICS Parallel 1284-B

NOTE: Interfaces shown apply to Advantage LX printers with S/N's starting with "L"

Inside View

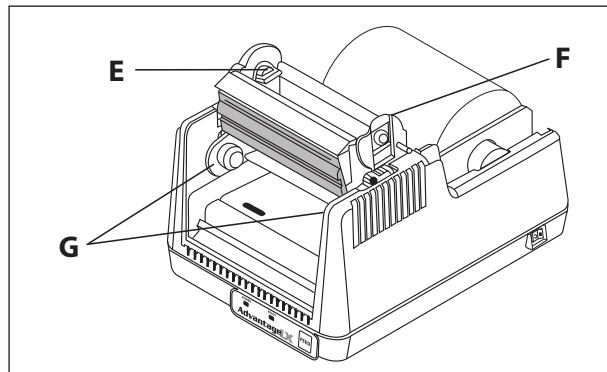
Common Components for All Models (Direct Thermal and Thermal Transfer)



(TT Printer Shown)

Component (DT & TT Models)	Function
A - Printhead	Printing mechanism
B - Platen Roller	Friction feed printing surface
C - Printhead Latches	Latches for printhead mechanism
D - Media Guide & Spindle	Holds and guides label roll

Components for Thermal Transfer Models



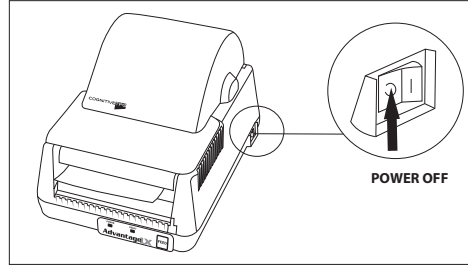
Component (TT Models)	Function
E - Ribbon Take-up Driver	Ribbon take-up core mount and driver
F - Ribbon Take-up Mount	Flexible arm for ribbon take-up core mounting
G - Ribbon Supply Core Mounts	Holds ribbon supply roll

Chapter 2: Printer Installation

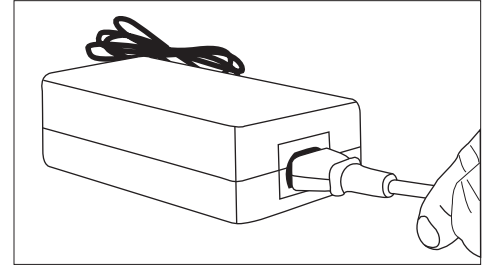
Setting up the Advantage LX Printer

Connecting the Interface and Power Cables

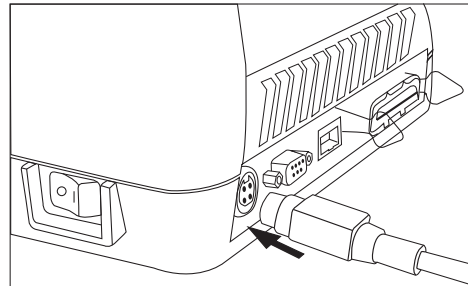
IMPORTANT! PRIOR TO CONNECTING ANY INTERFACE CABLE AND POWER CABLE TO PRINTER, MAKE SURE PRINTER IS OFF.



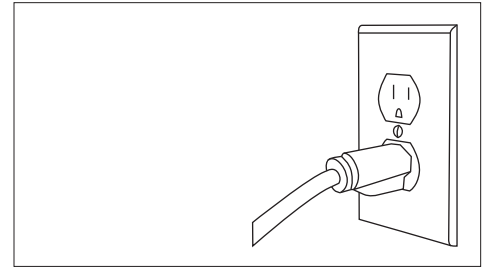
1. Make sure power switch is OFF



2. Connect power cable to AC adapter



3. Connect the AC adapter to the power connector on the printer

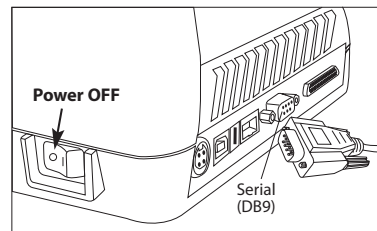


4. Plug the power cable into an AC outlet

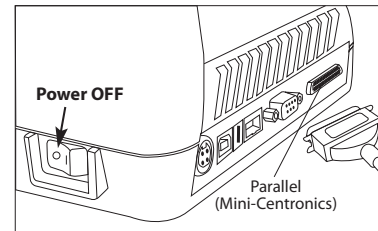
5. Connect the interface cable to the rear of the printer. For Serial or Parallel cables, securely fasten the interface connector screws or clips.

NOTE: THE ADVANTAGE LX IS CONFIGURED TO USE A STANDARD NULL MODEM CROSSOVER SERIAL CABLE WHEN USING THE COM/SER PORT TO CONNECT TO A DTE DEVICE SUCH AS A COMPUTER.

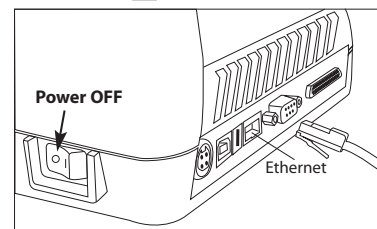
IOIO COM/SER



PARALLEL

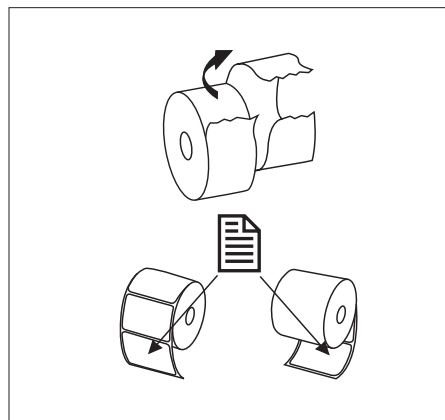
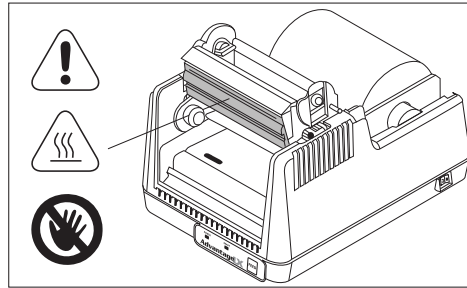


ETHERNET



CAUTION!

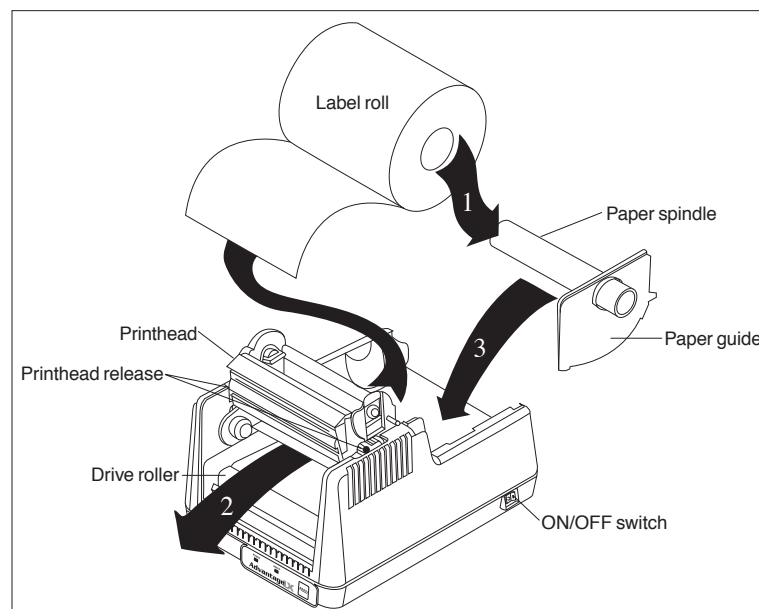
CAUTION: DO NOT TOUCH PRINTHEAD. ELECTROSTATIC DISCHARGE (ESD) FROM THE HUMAN BODY OR OTHER OBJECTS CAN DAMAGE PRINTHEAD. PLEASE USE STATIC-SAFE PROCEDURES WHEN WORKING WITH PRINTHEAD. PRINTHEAD MAY BE HOT AFTER PRINTING.



1. Unpack and prepare outward wound or inward wound media for installation into printer.

NOTE: USE ONLY COGNITIVETPG APPROVED MEDIA. FOR MORE INFORMATION ON COGNITIVETPG APPROVED SUPPLIES, CONTACT US AT 800-732-8950 OR AT COGNITIVETPG.COM.

2. Use paper guide and spindle to install media roll as shown.

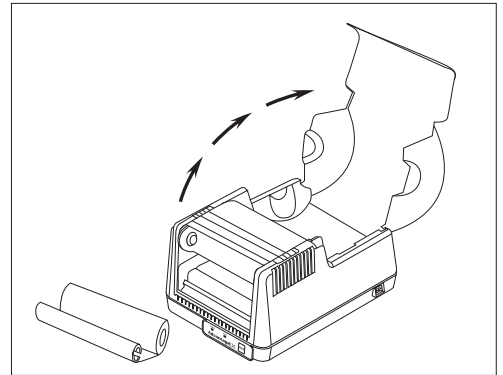


NOTE: PRINTER IS SHOWN WITH MEDIA COVER REMOVED FOR CLARITY. THERMAL TRANSFER (TT) MODEL USED FOR ILLUSTRATION.

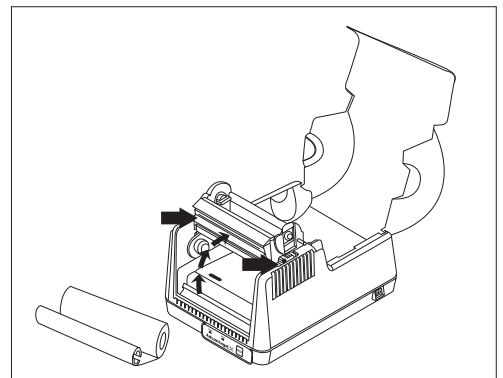
Loading Thermal Transfer Ribbon

NOTE: THIS STEP IS FOR THERMAL TRANSFER (TT) ADVANTAGE LX PRINTERS. USE ONLY COGNITIVETPG APPROVE THERMAL RIBBON. FOR MORE INFORMATION ON COGNITIVETPG APPROVED SUPPLIES, CALL 800.732.8950 OR VISIT OUR WEBSITE COGNITIVETPG.COM

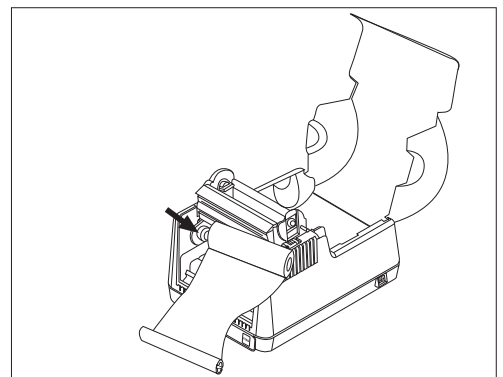
1. Position ribbon in front of printer with supply core closest to printer and text on ribbon leader facing down. Raise dust cover.



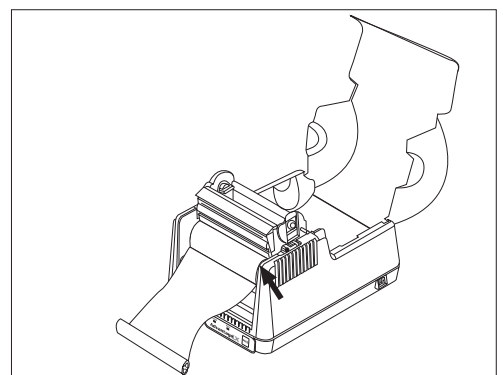
2. Unlatch printhead and fully raise the printhead mechanism.



3. Place the left side of the ribbon supply core into the left supply core mount.

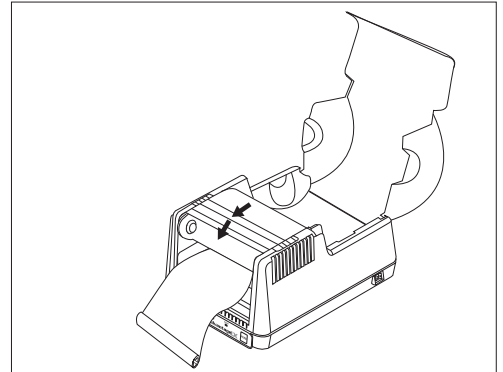


4. Gently pull the right supply core mount open and place the right side of the ribbon core on the mount.

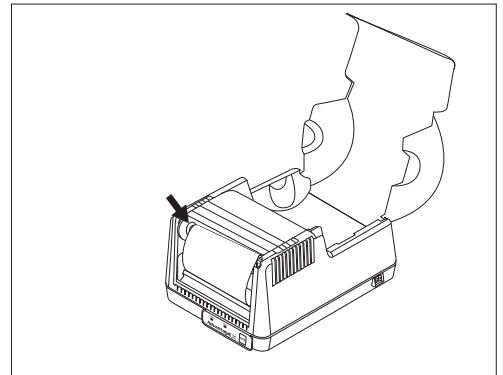


Loading Thermal Transfer Ribbon (Continued)

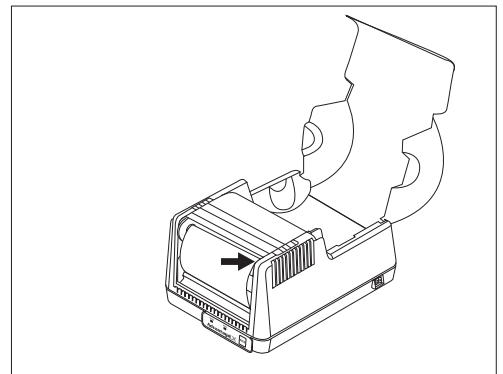
5. Gently lower the printhead but **DO NOT LATCH** printhead at this time.



6. Align the notch on the left side of the ribbon take-up core with the left ribbon take-up driver.

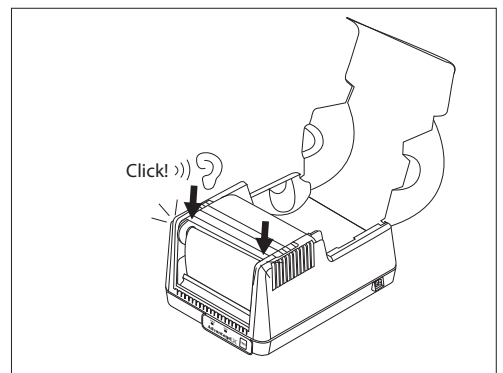


7. Gently pull the right ribbon take-up mount and insert the right side of the ribbon take-up core.



REMINDER: THE TEXT ON THE RIBBON LEADER SHOULD BE FACING OUT AND VISIBLE

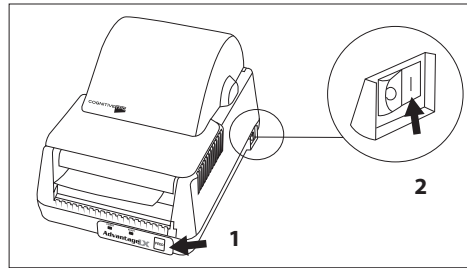
8. Latch both sides of the printhead and turn the power on to take up the slack in the ribbon leader.



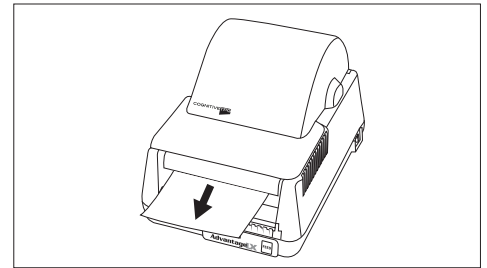
HELPFUL TIP: IF POWER IS ALREADY ON, THE ADVANTAGE LX WILL TAKE UP ANY EXCESS RIBBON UPON LATCHING THE PRINTHEAD

NOTE: AFTER PRINTING A SELF-TEST, PRINTER IS IN HEXIDECIMAL DUMP MODE. CYCLE PRINTER'S POWER TO RETURN TO NORMAL OPERATION.

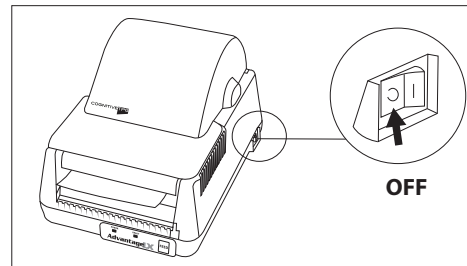
Self-Testing:



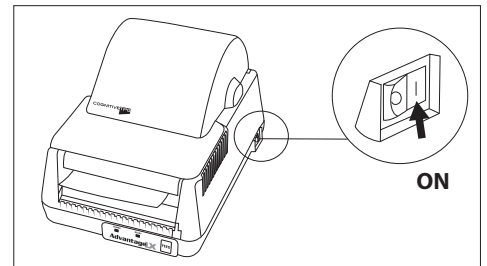
1. Press and hold the feed button while turning printer ON.



2. Release feed button when printing begins and printer will conduct a self-test and print a configuration label.



3. Power OFF printer to end hexadecimal dump mode.



4. Power ON printer for normal operation

NOTE: INSTALLING COGNITIVETPG PRINTER ADMINISTRATOR WILL ALSO LOAD PRINT DRIVERS FOR COGNITIVETPG LABEL PRINTERS. COGNITIVETPG PRINTER ADMINISTRATOR UTILITY IS VERY USEFUL FOR CONFIGURING, TROUBLESHOOTING, AND UPDATING THE ADVANTAGE LXPRINTER.

NOTE: MAKE SURE YOU HAVE ADMINISTRATIVE RIGHTS TO YOUR COMPUTER TO DOWNLOAD THE UTILITY AND DRIVERS.

NOTE: FOR BEST RESULTS, POWER OFF PRINTER PRIOR TO INSTALLING COGNITIVETPG PRINTER ADMINISTRATOR AND PRINTER DRIVERS.

Chapter 3: Installing CognitiveTPG Printer Administrator and Print Drivers

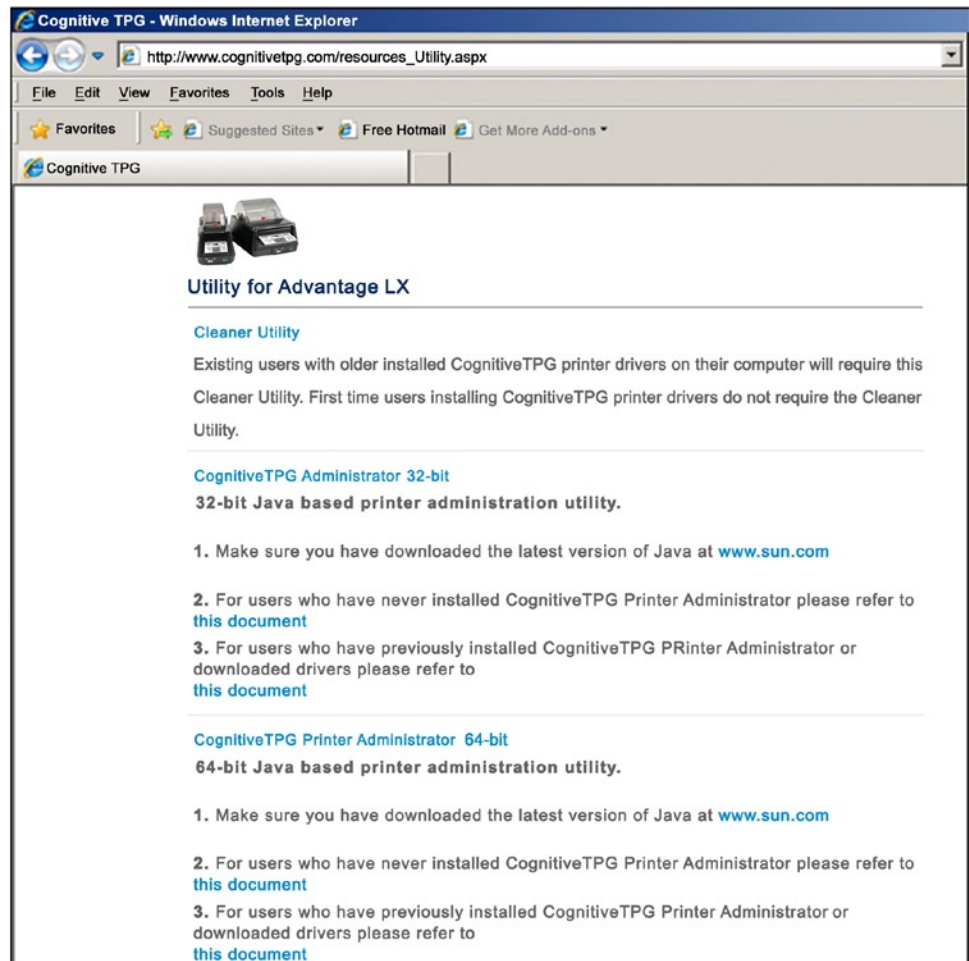
The updated Advantage LX (S/N starting with "L") is compatible with existing Advantage LX drivers and the Cognitive Printer Configuration Utility. Additionally, it can be used with the latest utility -- CognitiveTPG Printer Administrator.

CognitiveTPG Printer Administrator is a Java based utility designed for installation on various operating system platforms. Administrator allows complete control over the profiles and settings of the Advantage LX printer.

Downloading CognitiveTPG Printer Administrator

In order to easily make printer configuration changes, install the CognitiveTPG Printer Administrator Utility. Follow the CognitiveTPG Printer Administrator installation instructions at http://www.CognitiveTPG.com/resources_utility.aspx for the Advantage LX printer. You can also follow this path: **<http://www.CognitiveTPG.com> > Downloads > Utility**. This process will also install Windows driver for the printer on your computer. Note that Ser/COM, or Ethernet connection is preferred for use with this utility. Parallel connection provides limited functionality with Administrator Utility.

After downloading and installing CognitiveTPG Printer Administrator and driver files, connect the printer to your computer and power it on. Use the "Add A Printer" wizard to add the appropriate driver. For reference, driver files are downloaded to the following location on the computer: C:\Program Files\Cognitive\Drivers.




Cognitive TPG - Windows Internet Explorer

http://www.cognitivetpg.com/resources_utility.aspx

File Edit View Favorites Tools Help

Cognitive TPG



Utility for Advantage LX

[Cleaner Utility](#)

Existing users with older installed CognitiveTPG printer drivers on their computer will require this Cleaner Utility. First time users installing CognitiveTPG printer drivers do not require the Cleaner Utility.

[CognitiveTPG Administrator 32-bit](#)
32-bit Java based printer administration utility.

1. Make sure you have downloaded the latest version of Java at www.sun.com
2. For users who have never installed CognitiveTPG Printer Administrator please refer to [this document](#)
3. For users who have previously installed CognitiveTPG PRinter Administrator or downloaded drivers please refer to [this document](#)

[CognitiveTPG Printer Administrator 64-bit](#)
64-bit Java based printer administration utility.

1. Make sure you have downloaded the latest version of Java at www.sun.com
2. For users who have never installed CognitiveTPG Printer Administrator please refer to [this document](#)
3. For users who have previously installed CognitiveTPG Printer Administrator or downloaded drivers please refer to [this document](#)

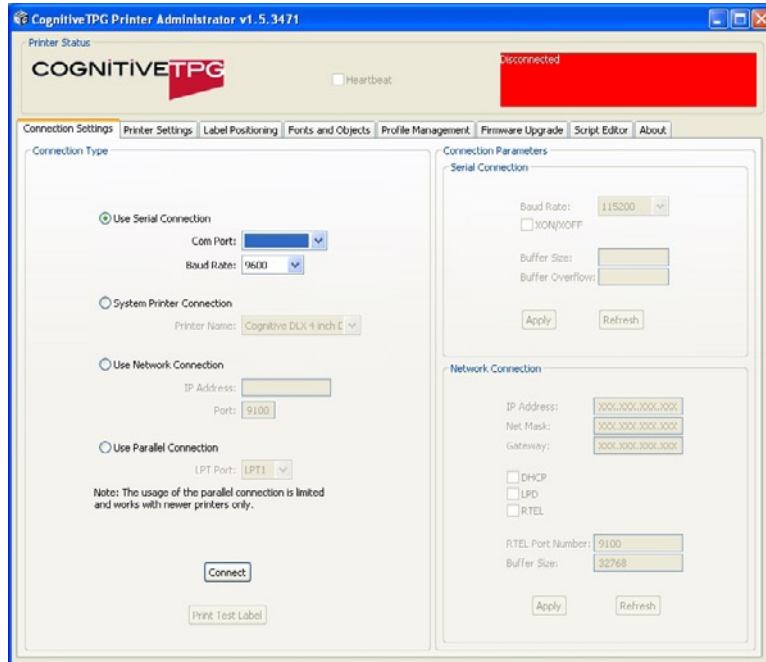
CognitiveTPG Printer Administrator Utility

Connection Settings

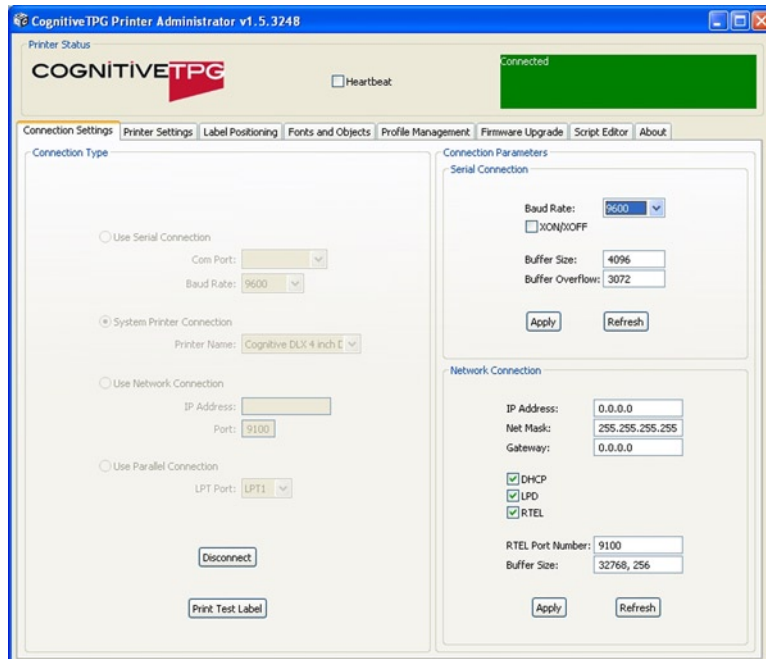
Connecting Via Serial

1. Select **Use Serial Connection** radio dial
2. Select the **Com Port** to which the printer is connected
3. Select the printer's **Baud Rate** setting
4. Click **Connect**.

NOTE: FOR SERIAL CONNECTION, THE ADVANTAGE LX DEFAULT BAUD RATE IS 9600.



NOTE: WHEN PRINTER IS PROPERLY CONNECTED, COGNITIVE TPG PRINTER ADMINISTRATOR WILL DISPLAY CONNECTED IN A GREEN BOX IN UPPER RIGHT CORNER.



HELPFUL TIP: PRINT A SELF TEST TO DETERMINE PRINTER'S CURRENT SETTINGS. A SELF TEST CAN BE PERFORMED BY HOLDING THE FEED BUTTON WHILE TURNING PRINTER POWER ON. CONTINUE TO HOLD THE FEED BUTTON UNTIL SELF TEST PRINTS.

Serial Connection Parameters

- Baud Rate
- XON/XOFF
- Buffer Size
- Buffer Overflow

Connecting Via Ethernet

1. Select the **Use Network Connection** radio dial
2. Input the printer's IP Address if static IP Address is to be used, otherwise, with DHCP enabled, your server will assign an IP Address to the printer
3. Input the printer's RTEL port number

Ethernet Connection Parameters

- IP Address
- Net Mask
- Gateway
- DHCP
- LPD
- RTEL
- RTEL Port
- Ethernet Text Buffer

Connecting Via Parallel

1. Select the **Use Parallel Connection** radio dial
2. Select the **Parallel (LPT) Port** to which the printer is connected
3. Click **Connect**

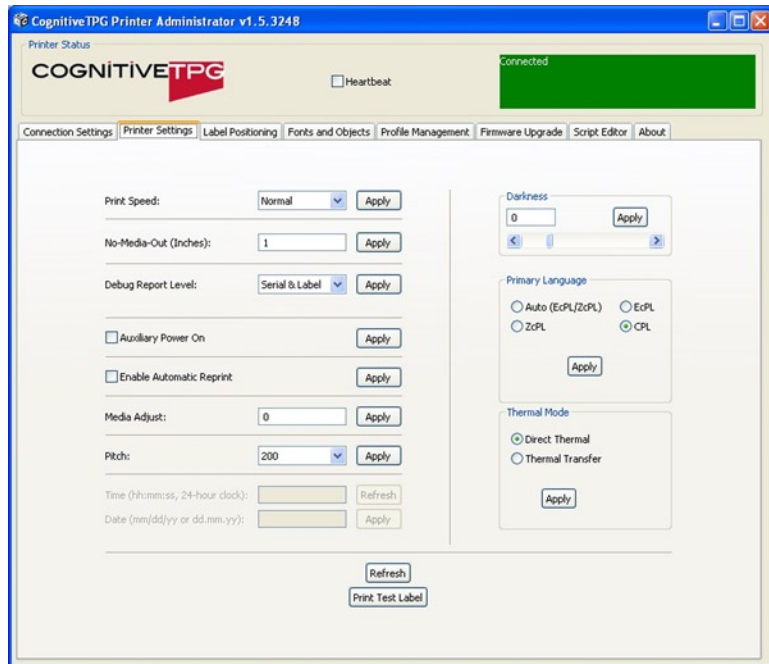
Printer Settings

Print Speed

The **Print Speed** value sets the printing speed of the printer.

- **Low** = 2 inches per second
- **Normal** = 2 inches per second
- **High** = 3 inches per second

NOTE: USING THE PARALLEL PORT CONNECTION WITH ADMINISTRATOR PROVIDES LIMITED FUNCTIONALITY DUE TO THE PRINTER'S UNI-DIRECTIONAL COMMUNICATIONS ON THIS PORT. SETTINGS CAN BE SENT VIA ADMINISTRATOR, BUT THEY WILL NOT FILL IN ON SCREEN.



No-Media Timeout

The no media timeout value represents the number of inches of media fed through the printer without detecting an index mark prior to reporting an error.

EXAMPLE: IF NO MEDIA TIMEOUT IS SET TO 12, THE PRINTER WILL CONTINUE TO FEED 12 INCHES OF MEDIA WITHOUT DETECTING AN INDEX MARK BEFORE REPORTING AN ERROR.

Debug Report Level

Specifies the method by which the printer reports error.

Values:

- **None** = Turns error reporting Off.
- **Serial** = Printer sends error report to host device via serial port.
- **Serial & Label** = Printer sends error report via serial port and prints an error label.

Auxiliary Power ON

Check Auxiliary Power ON to enable the 5V serial port output.

Enable Automatic Reprint

Checking the Enable Automatic Reprint box prompts the printer to reprint a label in the event the printer detects an index mark prior to completing the requested label.

Media Adjust

Adjusts print contrast on object leading edges for optimum print quality. Adjustment of this parameter is not normally required; refer to Cognitive Programming Language (CPL) Programmer's Guide for more detail.

Pitch

The pitch represents the dots per inch (dpi) setting for the printer.

Values:

100 or 200 for 200 dpi printers

Darkness

The **Darkness** value adjusts the print darkness.
Darkness range: -200 to 800

NOTE: THE FACTORY DEFAULT FOR DARKNESS IS 0.

Primary Language

Selects the primary command language the printer uses. The Advantage LX is defaulted to CPL (Cognitive Programming Language). AUTO, EcPL, and ZcPL are used for other printer models.

NOTE: THE Advantage LX DOES NOT SUPPORT TPCL COMMAND LANGUAGE

Thermal Mode

Select direct thermal or thermal transfer based on the model of Advantage LX printer and the type of media being used. Thermal transfer Advantage LX printers can be set to operate in direct thermal mode.

Label Positioning

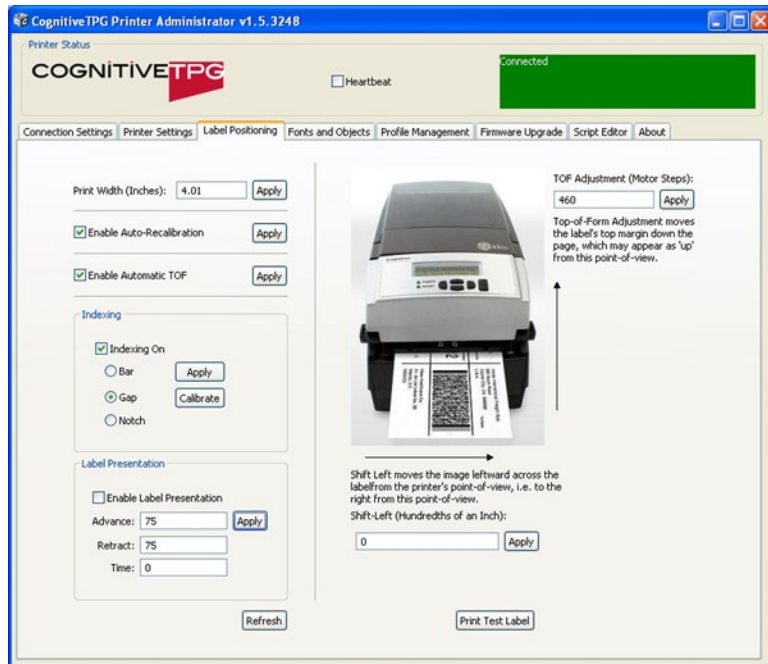
Print Width

The **Print Width** value adjusts the printing width of the printer for the particular media being used.

Maximum print width is 4.1" (104 mm), media width range is 2.0 to 4.25" (50 to 108 mm) for 4-inch Advantage LX (LBD42 and LBT42) models.

Maximum print width is 2.2" (56 mm). Media width range is 1.0" to 2.4" (25 to 61 mm) for 2-inch Advantage LX (LBD24 and LBT24) models.

IMPORTANT! THERMAL TRANSFER MODE REQUIRES THE USE OF A THERMAL TRANSFER PRINTER AND THERMAL TRANSFER PRINT RIBBON. DIRECT THERMAL MODE REQUIRES THE USE OF DIRECT THERMAL MEDIA.



Auto Recalibration

Check and **Apply Enable Auto Recalibration** and the printer will automatically attempt to recalibrate in the event an index mark is not detected.

Auto Top Of Form

Check and **Apply Enable Automatic TOF** and the printer will feed a label when the printer is turned ON or the printhead is latched.

Indexing

Indexing indicates to the printer the index type of the media being used. The **Indexing On** check box must be checked when using Bar, Gap, or Notch style indexing. Uncheck the **Indexing On** box when using continuous media.

Label Presentation

Label presentation advances media out of the printer after printing a label and then retracts the media prior to printing the next label.

- **Advance** = Distance the media advances after printing a label.
- **Retract** = Distance the media retracts prior to printing a label.
- **Time** = Amount of time in seconds the label remains presented prior to retracting.

NOTE: WHEN TIME IS SET TO 0 FOR LABEL PRESENTATION, THE LABEL WILL REMAIN ADVANCED UNTIL THE NEXT LABEL IS PRINTED.

Top of Form Adjust

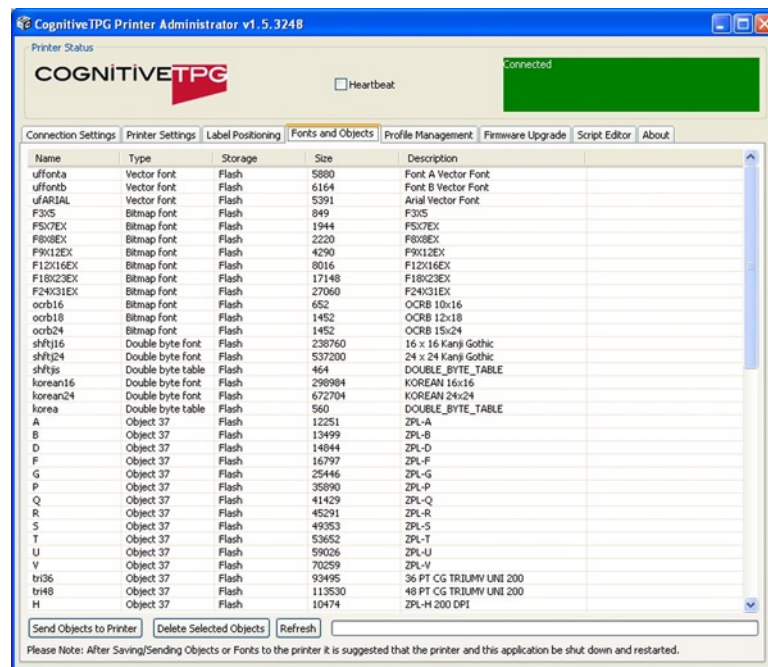
Top of Form (TOF) sets the top of the label with relation to the print head. Increasing the TOF value moves the printed text down the label. Decrease the **TOF** setting to move the printed test up the label. This value is set at the factory and typically will not need to be changed.

Shift Left

Shift left moves the printed image left across the label.

Fonts and Objects

The Fonts and Objects tab lists the Fonts, Formats and Graphics currently stored in the printer.



NOTE: GRAPHICS MUST BE MONOCHROME IN .BMP OR .PCX FILE FORMAT TO BE STORED IN PRINTER MEMORY. FILE NAME MUST BE 8 CHARACTERS OR LESS.

Loading Fonts and Objects

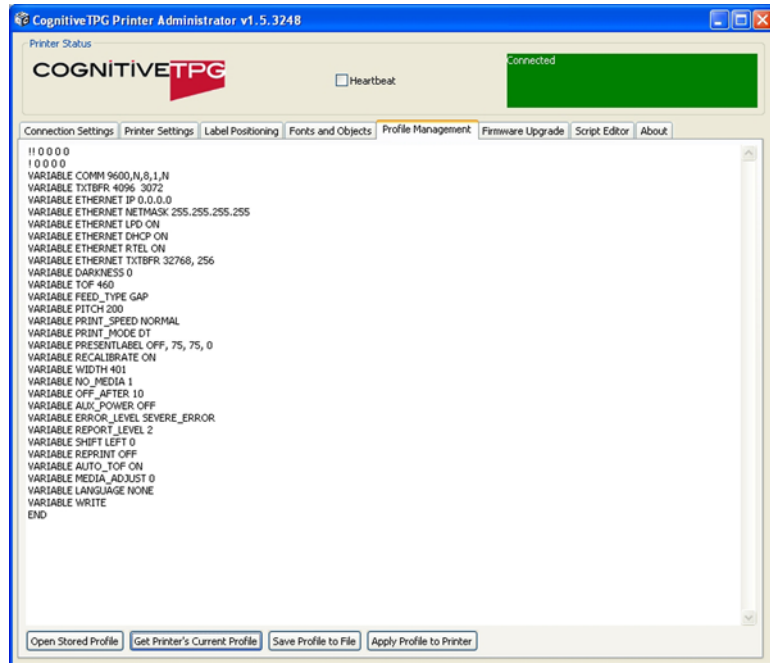
1. Select the **Fonts and Objects** tab.
2. Click the **Load Objects to Printer** button.
3. Select the Font or Object to be stored and click **Ok**.

Deleting Fonts and Objects

1. Select the **Fonts and Objects** tab in CognitiveTPG Printer Administrator.
2. Highlight the Font, Object or Graphic to be deleted.
3. Click the **Delete Selected Objects** button.

Profile Management

Manage the settings of the Advantage LX using the Profile Management section of CognitiveTPG Printer Administrator. Profile Management displays a list of the printer's current variable settings.



Obtaining Printers Current Profile

1. Select the Profile Management tab in CognitiveTPG Printer Administrator.
2. Click the Get Printer's Current Profile button.

Saving the Current Printer's Profile

1. Select the Profile Management tab in CognitiveTPG Printer Administrator.
2. Click the Get Printer's Current Profile button.
3. Click the Save Profile to File button.

Applying a Saved Profile to the Printer

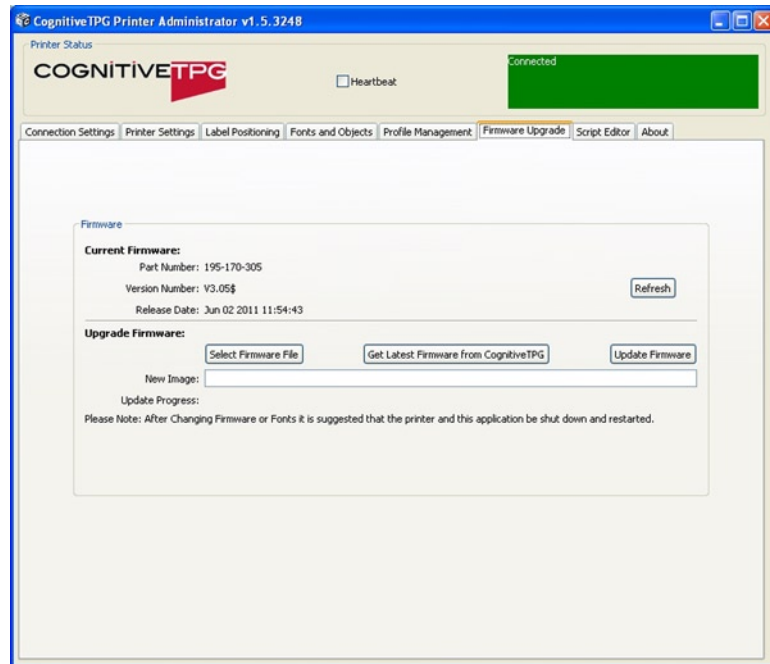
1. Select the Profile Management tab in CognitiveTPG Printer Administrator.
2. Click the Open Stored Profile button.
3. Select the desired Stored Profile and click Ok.
4. Click the Apply Profile to Printer button.

Firmware Upgrade

1. Select the **Firmware Upgrade** tab.

CAUTION! TURNING THE PRINTER OFF DURING FIRMWARE INSTALLATION COULD DAMAGE THE PRINTER.

NOTE: IF YOUR COMPUTER IS CONNECTED TO THE INTERNET, USE THE "GET LATEST FIRMWARE FROM COGNITIVETPG" BUTTON. THIS ACTION WILL ALSO LOAD CURRENT FONTS. UPDATE WILL TAKE A FEW MINUTES.



2. Click the **Select Firmware File** button.
3. Select the appropriate Firmware file and click **Ok**.
4. Click the **Update Firmware** button.

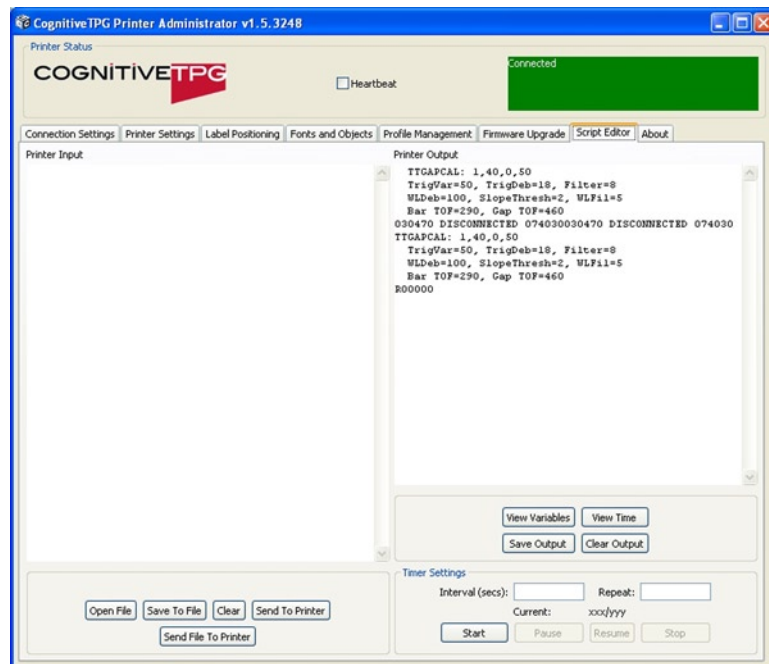
Script Editor

Use the Script Editor in CognitiveTPG Printer Administrator to send programming language code to the printer. For more information on programming CPL please refer to the CPL Programmers guide located on the CognitiveTPG Web site www.CognitiveTPG.com.

Sample Test Script in CPL:

```
! 0 100 195 1
VARIABLE WIDTH 200
TEXT 3 5 15 PRINTER TEST
END
```

For a simple printer test, type in the sample code shown above in the "Printer Input" window and click "Send to Printer" button. The printer should print the phrase "Printer Test."



Chapter 4: Cleaning and Maintenance

**IMPORTANT!
DISCONNECT POWER
PRIOR TO CLEANING
THE ADVANTAGE LX.**

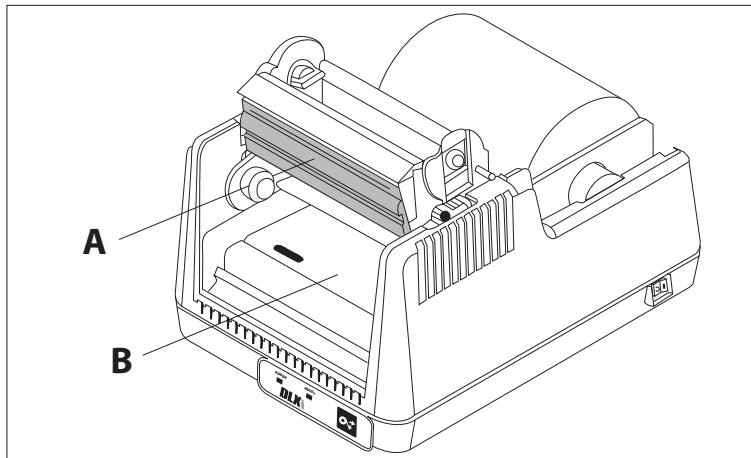
For optimal printhead performance CognitiveTPG recommends cleaning the interior components (printhead, platen roller, media sensor, peel bar (if installed), ribbon, and media paths) every 20,000 inches (508 m). The thermal printhead should be cleaned every 5,000 inches if pre-printed labels are used. Proper maintenance reduces replacement costs by extending the life of the printhead and improves the performance of the printer.

Cleaning the Printer

Clean the exterior of the printer and the media tray using a lint-free cloth, and if necessary, a mild detergent solution.

Cleaning the Thermal Printhead and Platen

1. Open the print mechanism.



2. Gently clean the printhead (A), platen roller (B) and media path using a CognitiveTPG approved cleaning pen, card or a soft, lint-free cloth saturated with 99% isopropyl alcohol.

**WARNING!
INCORRECTLY
CLEANING PRINTER
WILL CAUSE
PERMANENT DAMAGE
AND VOID WARRANTY.
COGNITIVETPG
RECOMMENDS USING
A CERTIFIED CLEANING
PEN FOR CLEANING
THERMAL PRINTHEAD.**

Cleaning Supplies

Advantage LX Cleaning Supplies			
Part #	Size (inches)	Items per box	Description
14-00-0001	4.5" x 6"	25	Cleaning card
14-00-0002	-	12	Cleaning pen

Chapter 5: Troubleshooting & Default Settings

Use the chart below for troubleshooting your Advantage LX printer prior to contacting Technical Support. If you are unable to resolve the problem using the chart below, please contact our Technical Support.

Symptom	Possible Cause	Recommended Solution
Red Ready Light	Print Head Unlatched	Securely latch printhead
	Out of Media/Ribbon	Replace media/ribbon
	Printer Paused	Press Feed Button to continue printing
Red Power Light	Incorrect Power Supply	Verify use of correct power supply
Printing Too Light	Printer Darkness Setting	Increase printer Darkness using CognitiveTPG Printer Administrator
	Driver Darkness Setting	Increase the Darkness value within the printer driver
	Printhead Dirty	Clean printhead
Printing Blank Labels	Incorrect Media	Use direct thermal media
	Missing Ribbon	Use print ribbon when printing to thermal transfer media
Continuously Feeding Labels	Printer out of Calibration	Calibrate printer using CognitiveTPG Printer Administrator
Feed Button Not Working	Printer is running a stored program	With print head unlatched, turn printer off and back on then re-latch printhead
Print Not Positioned Properly	Top of Form or Print Width requires adjustment	Adjust Top of Form and Print Width using CognitiveTPG Printer Administrator
Media Drifting During Printing	Media Guide improperly adjusted	Verify Media Guide is positioned properly
Skipping Labels During Printing	Label Design	Decrease height of label
	Printer out of Calibration	Recalibrate printer using CognitiveTPG Printer Administrator

The Advantage LX ships with the following default settings:

Parameter	Default Setting
Programming Language	CPL - Cognitive Programming Language
Speed	3 ips (76 mm/sec)
Label Width	2" Models: 220 (2.2" or 56 mm) 4" Models: 409 (4.09" or 104 mm)
Label Length	Measure label (automatically measures and sets label length at power up)
Indexing Type	Gap
Reference Point	0,0 (upper left corner)
Auto Top of Form	On
Enable Label Present	Off
Advance Label	75 (0.75" or 19 mm)
Retract Label	75 (0.75" or 19 mm)
Delay Time (Retract Label)	0 seconds
Serial Port Settings (serial port printers only)	9600 bps, 8 bit data, 1 stop bit, no parity (DTE configuration - use null-modem cable)
Settings below only apply to printers with Ethernet	
Printer IP Address	10.0.0.12
Net Mask	255.255.255.255
Gateway	0.0.0.0
DHCP	On
LPD	On
RTEL	On
RTEL Port Number	9100

Free Manuals Download Website

<http://myh66.com>

<http://usermanuals.us>

<http://www.somanuals.com>

<http://www.4manuals.cc>

<http://www.manual-lib.com>

<http://www.404manual.com>

<http://www.luxmanual.com>

<http://aubethermostatmanual.com>

Golf course search by state

<http://golfingnear.com>

Email search by domain

<http://emailbydomain.com>

Auto manuals search

<http://auto.somanuals.com>

TV manuals search

<http://tv.somanuals.com>