

SCHEUPRODUCTSCOMPANY, INCORPORATED
Mail: P.O. Box 250, Upland, CA 91785
Plant: 8855 Baker Ave., Rancho Cucamonga, CA 91730
Telephone: 909-981-5343

ASSEMBLY AND OPERATING INSTRUCTIONS
MODELS 100-RANG/SPC-100RANG
CONSTRUCTION HEATER

YOUR SAFETY IS IMPORTANT TO YOU AND TO OTHERS, SO PLEASE READ THESE INSTRUCTIONS BEFORE YOU OPERATE THIS HEATER.



GENERAL HAZARD WARNING:
FAILURE TO COMPLY WITH THE PRECAUTIONS AND INSTRUCTIONS PROVIDED WITH THIS HEATER, CAN RESULT IN DEATH, SERIOUS BODILY INJURY AND PROPERTY LOSS OR DAMAGE FROM HAZARDS OF FIRE, EXPLOSION, BURN, ASPHYXIATION, AND CARBON MONOXIDE POISONING.
ONLY PERSONS WHO CAN UNDERSTAND AND FOLLOW THE INSTRUCTIONS SHOULD USE OR SERVICE THIS HEATER.
IF YOU NEED ASSISTANCE OR HEATER INFORMATION SUCH AS AN INSTRUCTIONS MANUAL, LABELS, ETC. CONTACT THE MANUFACTURER.



WARNING: FIRE, BURN, INHALATION, AND EXPLOSION HAZARD. KEEP SOLID COMBUSTIBLES, SUCH AS BUILDING MATERIALS, PAPER OR CARDBOARD, A SAFE DISTANCE AWAY FROM THE HEATER AS RECOMMENDED BY THE INSTRUCTIONS. NEVER USE THE HEATER IN SPACES WHICH DO OR MAY CONTAIN VOLATILE OR AIRBORNE COMBUSTIBLES, OR PRODUCTS SUCH AS GASOLINE, SOLVENTS, PAINT THINNER, DUST PARTICLES OR UNKNOWN CHEMICALS.

OPERATING INFORMATION

Intended use is primarily the temporary heating of buildings under construction, alteration or repair.



WARNING
NOT FOR HOME OR RECREATIONAL VEHICLE USE.

SAFETY PRECAUTIONS

1. Check the heater thoroughly for damage. DO NOT operate a damaged heater.
2. DO NOT modify the heater or operate a heater which has been modified from its original condition.
3. Provide at least 5" W.C. but not over 1/2 psig to the heater inlet.
4. Use an appropriate hose or flexible connector not over 10 ft. in length.
5. Operate the heater only with the 4" W.C. regulator provided by the factory.

6. For indoor use only. Area must be well ventilated. Provide minimum openings, of 2 sq. ft. near the floor and 2 sq. ft. near the ceiling.
 7. If at any time gas odor is detected, IMMEDIATELY DISCONTINUE operation until the source of gas has been located and corrected.
 8. Install the heater such that it is not directly exposed to water spray, rain and/or dripping water or wind.
 9. Maintain minimum clearance from normal combustible materials of 6 feet in all directions. Locate 10 ft. from canvas tarpaulins or similar coverings and secure them to prevent flapping or movement due to wind action.
 10. Operate only on a stable, level surface.
 11. Since permanent skin tissue damage can occur, avoid contact with the unit while it is operating or shortly after it has been shut off.
 12. Do not use on combustible floors.
 13. Do not move, handle or service while hot or burning.
 14. Use only in accordance with local codes.
 15. Installation of this natural gas heater must conform with local codes or, in the absence of local codes, with the National Fuel Gas Code ANSI Z223.1 NFPA 54
- PREPARING FOR OPERATION**
1. Check the heater for possible shipping damage. If any is found, immediately notify your dealer.
 2. Follow all of the "Safety Precautions."
 3. Install plumbing to a low pressure (1/2 psig maximum) source of natural gas, using a minimum 3/4" i.d. hose or flexible connector not over 10 feet in length.
 4. Connect the hose to the heater at the 1/2" SAE flare fitting at the inlet.
 5. Securely tighten all gas connections.
 6. Open the gas cock and check all gas connections with a

START

1. Fully open the gas cock at the natural gas source.
2. Place control knob of the safety pilot valve in pilot position and depress the knob admitting gas to pilot. Push and release the piezo button until the pilot lights, multiple tries may be necessary. Alternately place a lighted match near the pilot (pilot is above cutout in the middle pan). If hose is filled with air, allow a few minutes for gas to reach the pilot.
3. When the pilot lights, continue to hold the button on the safety pilot valve depressed for 30 seconds, then release.
4. If the pilot goes out, wait 5 minutes and repeat the start procedure.
5. When the pilot remains lit, turn the knob left 1/4 turn to the "ON" position and the main burner will light.

CAUTION: INADEQUATE FUEL SUPPLY or lowering burn rate can cause sooting.

STOP

1. Securely close the gas cock at the gas source.
2. Depress the control knob of the pilot valve and turn clockwise to "OFF" position.

RESTART AFTER SAFETY SHUTDOWN

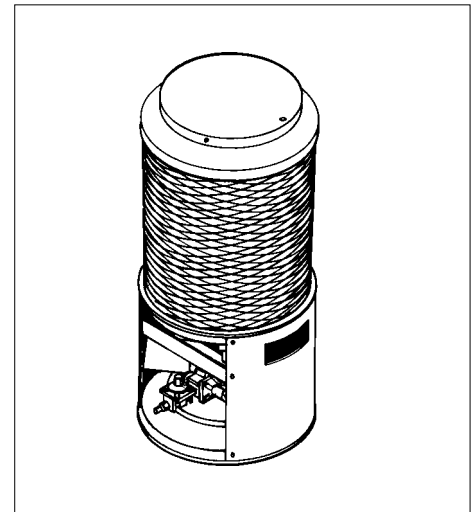
1. Securely close gas cock at the gas source.
2. Wait 5 minutes.
3. Restart following "Start" procedure.



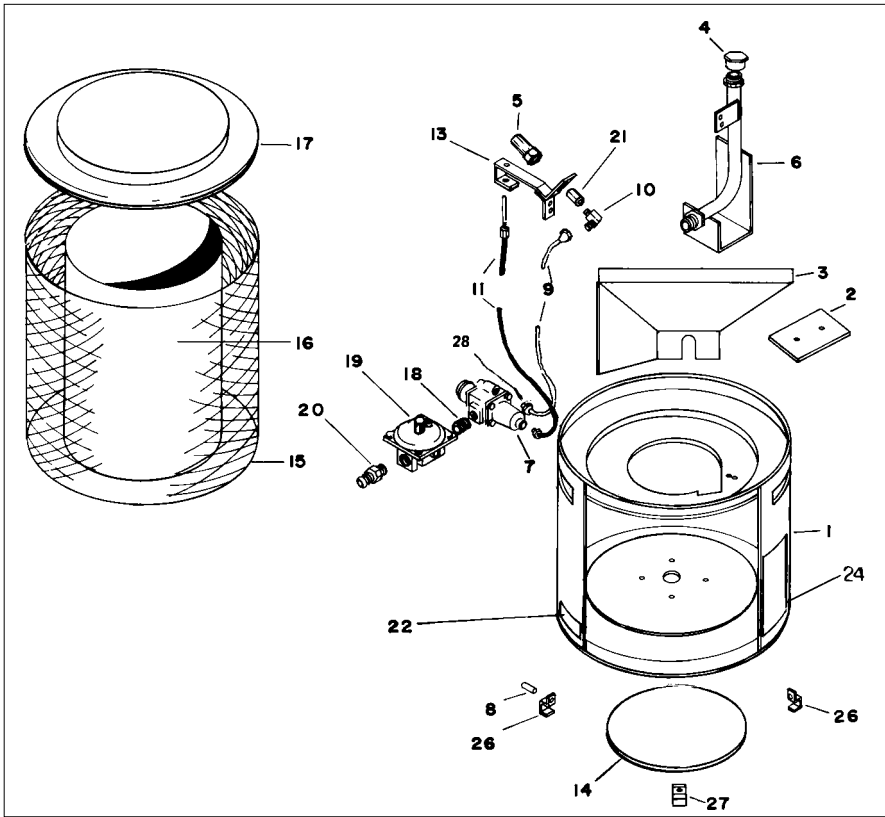
ANSI Z83.7b-1993/CGA 2.14-1972
Construction Heater

SCHEU PRODUCTS COMPANY, INC.
P.O. BOX 5050
UPLAND, CA 91785-5050

MODEL 100-RANG/SPC-100RANG



TYPE OF GAS Natural Gas
INPUT RATING 100,000 BTU/hr
MANIFOLD PRESSURE 4" Water Column
MAX. GAS SUPPLY PRESSURE 1/2 psi
MIN. GAS SUPPLY PRESSURE 5" W.C.



PARTS LIST

Item	Part No.	Description	Qty.	Item	Part No.	Description	Qty.
1	0814	Base Assembly	1	16	3101	Louvered Emitter	1
2	3095	Ballast	1	17	3102	Pan Hood	1
3	1074	Valve Shield Assembly	1	18	6500	Fitting, 1/2" x Close Nipple	1
4	6113	Orifice, #55 Drill	1	19	6259	Regulator, 4" W.C.	1
5	1510	Pilot Assembly	1	20	6125	Fitting, Male Connector	1
6	1072	Manifold Assembly	1	21	7253	Orifice Pilot	1
7	7616	Thermoelectric Valve	1	22	6384	Label, Natural Gas Only	1
8	6067	Spacer, 5/16" id x 1/2"	5	*	4222	Bracket, Piezo	1
9	1837	Pilot Tube Assembly	1	24	7291	Label, Model/Operating Instructions	1
10	6137	Fitting, Female Elbow	1	*	6473	Ignitor, Piezo	1
11	6234	Thermocouple, 16"	1	26	3106	Leg Base, Side	2
*	7290	Manual, Operating Instructions	1	27	3105	Leg Base, Front	1
13	1594	Bracket, Pilot Mounting Assembly	1	*	6505	Fitting, Male Connector	1
14	3683	Floor Shield Assembly	1	*	7161	Nut, Piezo	1
15	1098	Emitter Grill	1	*	3451	Electrode	1

A hazardous condition may result if a heater is used that has been modified or is not functioning properly. When the heater is working properly:

- * The flame is contained within the heater.
- * The flame is essentially blue with perhaps some yellow tipping.
- * There is no strong disagreeable odor, eye burning or other physical discomfort.
- * There is no smoke or soot internal or external to the heater.
- * There are no unplanned or unexplained shutdowns of the heater.

The parts list shows the heater as it was constructed. Do not use a heater which is different from that shown. A heater which is not working right must be repaired, but only by a trained, experienced service person. Contact the factory for the service center closest to you, phone number (909) 981-5343. You may also obtain in-warranty or out-of-warranty service by returning the product freight prepaid to:

Scheu Products Company
8855 Baker Ave.
Rancho Cucamonga, CA 91730

INSTRUCTIONS FOR ORDERING PARTS-

All parts orders must show Heater Model No., Item No., Part No. and Description. We recommend that only parts supplied by the manufacturer be used on this unit. A locally purchased part may appear to be identical, although in reality it might endanger the heater or the persons operating the heater.

The heater should be serviced only by a trained, experienced service person.

Read the section on "Servicing" before ordering parts.

For parts order, call (909) 981-5343. SEPTEMBER 1999
P/N 7290L

Free Manuals Download Website

<http://myh66.com>

<http://usermanuals.us>

<http://www.somanuals.com>

<http://www.4manuals.cc>

<http://www.manual-lib.com>

<http://www.404manual.com>

<http://www.luxmanual.com>

<http://aubethermostatmanual.com>

Golf course search by state

<http://golfingnear.com>

Email search by domain

<http://emailbydomain.com>

Auto manuals search

<http://auto.somanuals.com>

TV manuals search

<http://tv.somanuals.com>