



Assembly and Instruction Manual




U. S. & foreign patents pending

Fireplace/Charcoal Grill Model 5065-715



Introduction

Your Coleman® RoadTrip® Fireplace/Grill is a versatile unit that functions as either a fireplace or a charcoal grill. Follow these instructions for assembly and read carefully, particularly the safety statements. The safety alert symbol, , is a universally recognized symbol used to identify safety information about hazards that can result in personal injury. When this symbol is used you should pay very close attention to what is written. Review these instructions before beginning assembly or using your fireplace.

FOLLOW INSTRUCTIONS AND WARNINGS TO AVOID FIRE, SERIOUS INJURY OR DEATH.

WARNING

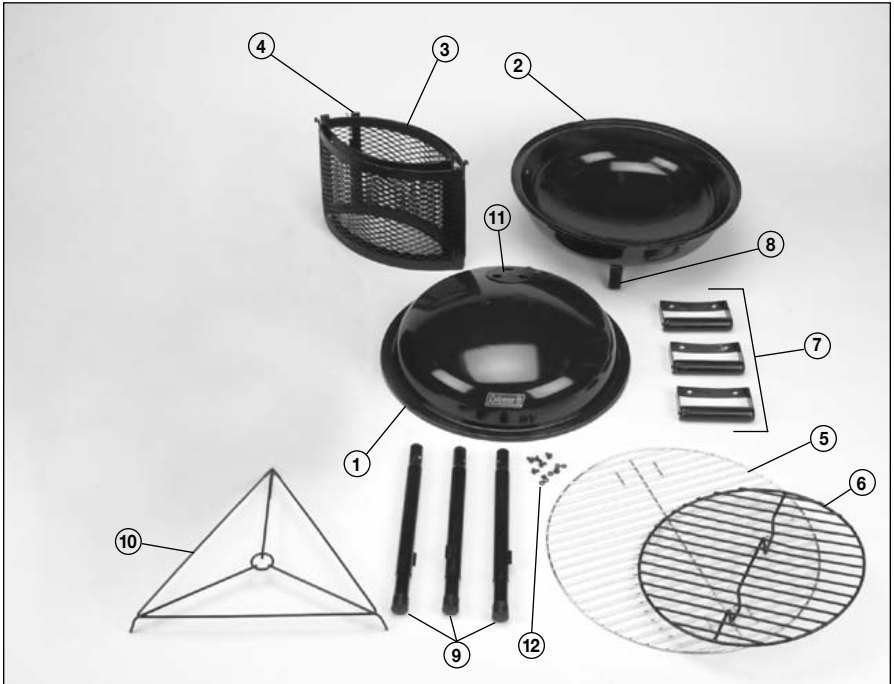
- Outdoor use only. Never use in enclosed area. Use in unventilated areas will endanger your life.
- Keep away from all combustible materials including gasoline and other flammable liquids and vapors.
- Use on a level, noncombustible surface only. Keep away from house, garage, balconies, or eave overhangs.
- Keep out of the reach of children.
- Be sure screen is in place while in use and do not use in windy conditions.
- Do not overfill firebox or use to burn leaves and trash.
- Exercise the same care you would with an open fire.
- Never leave unit unattended when hot or in use.
- Completely extinguish fire before leaving.
- Use gloves when handling or moving. Ashes can remain warm for a long time after extinguishing.
- Dispose of cold ashes properly.
- Do not modify in any way nor use with parts not expressly approved by Coleman.
- Combustion by-products produced when using this product contain chemicals known to the State of California to cause cancer, birth defects, or other reproductive harm.

Contact local authorities regarding possible burn restrictions before using product.

Fireplace/Grill Parts Check List

- Check package for all parts needed for assembly.

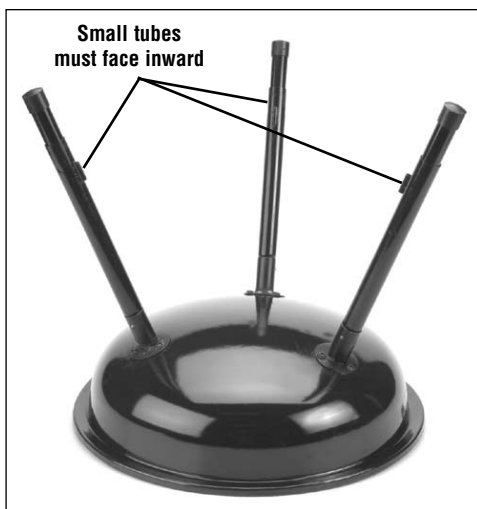
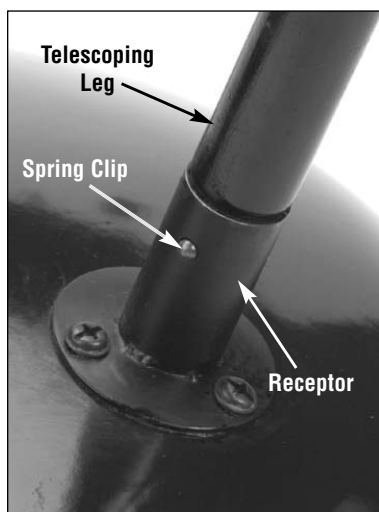
- | | |
|---|--|
| <input type="checkbox"/> 1. Lid | <input type="checkbox"/> 8. Leg Receptors (3) |
| <input type="checkbox"/> 2. Firebox | <input type="checkbox"/> 9. Telescoping Legs (3) |
| <input type="checkbox"/> 3. Screen Assembly | <input type="checkbox"/> 10. Wire Brace |
| <input type="checkbox"/> 4. Hinge Pin | <input type="checkbox"/> 11. Damper |
| <input type="checkbox"/> 5. Cooking Grate | <input type="checkbox"/> 12. Fastener Hardware |
| <input type="checkbox"/> 6. Charcoal Grate | |
| <input type="checkbox"/> 7. Handle (3) | |



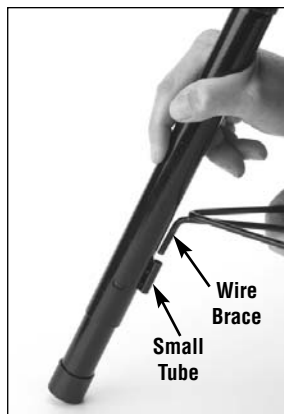
- Check all items for shipping damage. Call Coleman at 1-800-835-3278 or TDD: 316-832-8707 if you have any problems.

Assembly

1. Carefully unpack all parts from shipping box.
2. Insert Telescoping Legs into Receptors with spring clips inside legs. **Important: Orient legs so small tube welded to leg faces inward. This will ensure proper fit of the Wire Brace.** Legs extend by pushing in on both spring clips protruding from the legs and pulling the legs outward. Then lock leg in place by aligning spring clips with holes in legs. **Always be sure spring clip is protruding through holes in legs to ensure stability.**



3. Assemble Wire Brace to all 3 legs by inserting ends into the small tube welded to each leg. If wire brace does not fit, check Step 2 above to be sure small tube is facing inward.



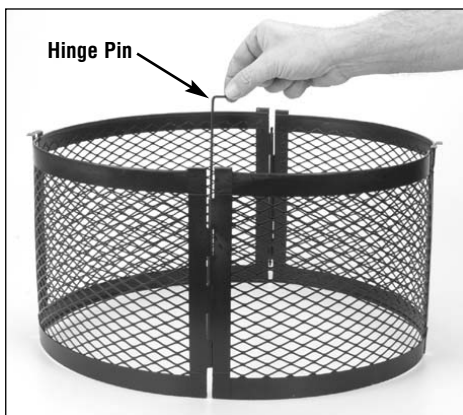
- 4.** Attach Handles to Firebox with 2 bolts, washers & nuts. Place washer between nut and firebox. **Be careful not to overtighten bolts as this could crack the porcelain finish on the Firebox.**



- 5.** Attach Handle to Lid with 2 bolts, washers & nuts. **Again, be careful not to overtighten bolts as this could crack the porcelain finish on the Lid.**

- 6.** Assemble Damper to Lid with 1 bolt & nut.

- 7.** Assemble Screen Assembly by inserting Hinge Pin into hinges of mating sections.



- 8.** Place Charcoal Grate into Firebox; place Screen Assembly along top edge of Firebox & place Lid on top of Screen Assembly. You are now ready for use as either a Fireplace or Charcoal Grill.



Set Up and Use

AS A FIREPLACE

⚠ WARNING

Never leave unit unattended when hot or in use. Keep out of reach of children. For outdoor use only. Never use in enclosed area. Use in unventilated areas will endanger your life.

- 1. Place unit on a level, noncombustible surface with legs in lowered position.** Keep well away from house, garage, balconies or eave overhangs.
- 2.** Be sure charcoal grate is placed in firebox. Add newspaper, kindling & wood on top of charcoal grate.
- 3.** Place screen assembly along top edge of firebox.
- 4.** Ignite newspaper & kindling with match or butane lighter. Use charcoal lighter fluid if necessary.
- 5.** Once fire is well lit, place lid on top of screen assembly.



Set Up and Use

AS A CHARCOAL GRILL

⚠ WARNING

Never leave unit unattended when hot or in use. Keep out of reach of children. For outdoor use only. Never use in enclosed area. Use in unventilated areas will endanger your life.

- 1. Place unit on a level, noncombustible surface with legs in raised position.** Keep well away from house, garage, balconies or eave overhangs.
- 2.** Be sure charcoal grate is in place in firebox. Place charcoal over charcoal grate and ignite charcoal as instructed on charcoal packaging. Use charcoal lighter fluid as needed.
- 3.** Once charcoal is well lit, place cooking grate on top of firebox and begin cooking!



After Use

⚠ WARNING

To avoid burns – use heavy gloves to remove screen assembly and grates.

1. Completely extinguish fire before leaving.
Extinguish fire by removing screen assembly and placing lid over firebox with damper closed.
2. Do not use water to douse the fire as this may crack the porcelain finish of the firebox.
3. Dispose of cold ashes properly.
4. Be careful – fire may be out but firebox can still be hot. Handle carefully.



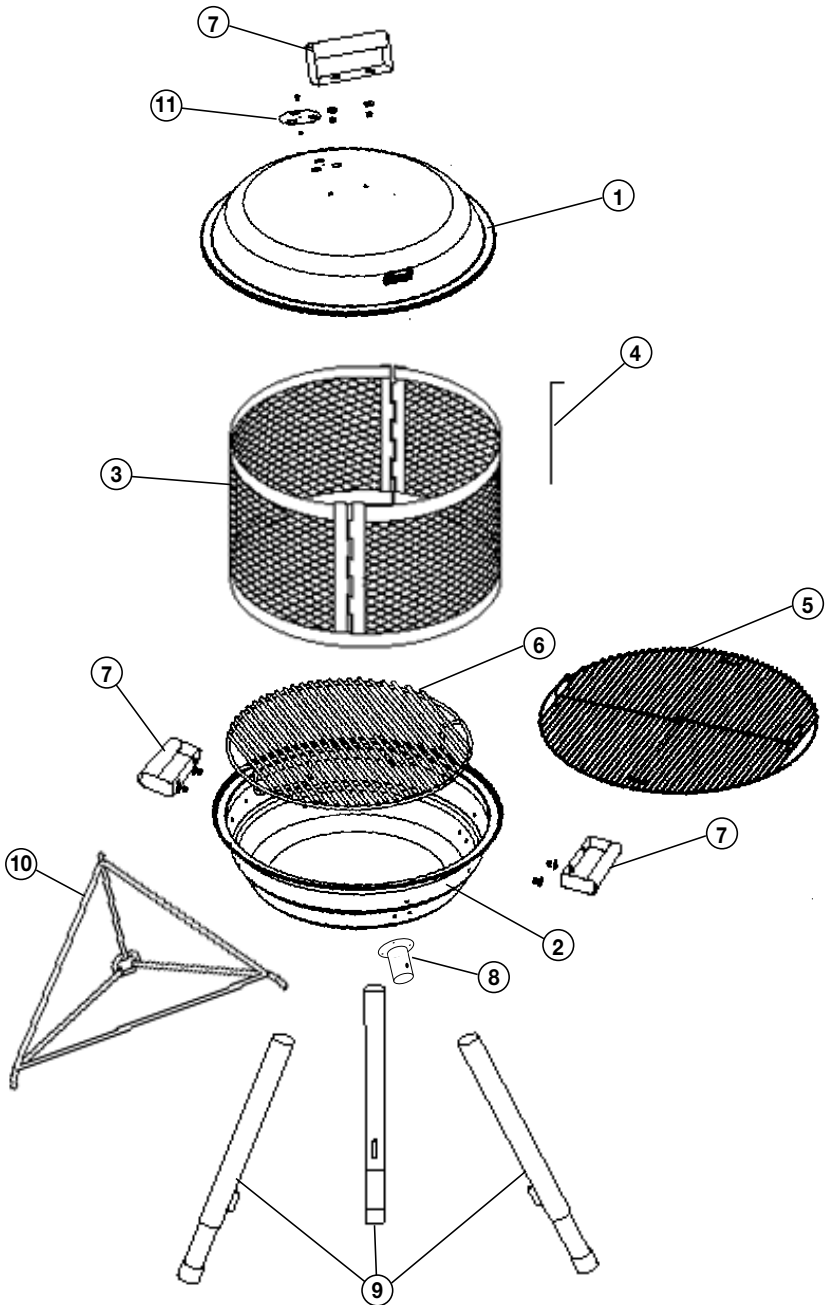
Storage

1. Clean all components prior to storing the unit. This will prevent unwanted odors and extend the life of your fireplace/grill.
2. Store the unit in a covered enclosure or place a cover over the entire unit.

Maintenance & Care of Fireplace

- Extreme heat from fire may cause paint to burn off from Screen Assembly. To help restore look & protect steel, use a wire brush to clean, then repaint with high temperature black paint.
- Always allow the unit to completely cool before placing inside an enclosure or placing a protective cover on the unit.
- Check that bolts on handles, leg receptors & damper are tight with no loose fitting pieces.

Parts List



| I.D. NO. | PART NO. | DESCRIPTION |
|-----------------|-----------------|--------------------------|
| 1 | 5065-2351 | Lid |
| 2 | 5065-1051 | Firebox |
| 3 | 5065-2451 | Screen Assembly |
| 4 | 5065-1251 | Screen Hinge Pin |
| 5 | 5065-3251 | Cooking Grate |
| 6 | 5065-3351 | Charcoal/Wood Grate |
| 7 | 5065-4151 | Handles (Set of 3) |
| 8 | 5065-1161 | Leg Receptors (Set of 3) |
| 9 | 5065-4251 | Telescoping Legs (3) |
| 10 | 5065-1351 | Wire Brace |
| 11 | 5065-4351 | Damper |
| 12 | 5065-4051 | Fastener Hardware |

Limited Five Year Warranty

The Coleman Company, Inc. ("Coleman") warrants that for a period of five years from the date of original retail purchase, this product will be free from defects in material and workmanship. Coleman, at its option, will repair or replace this product or any component of the product found to be defective during the warranty period. Replacement will be made with a new or remanufactured product or component. If the product is no longer available, replacement may be made with a similar product of equal or greater value. This is your exclusive warranty.

This warranty is valid for the original retail purchaser from the date of initial retail purchase and is not transferable. Keep the original sales receipt. Proof of purchase is required to obtain warranty performance. Coleman dealers, service centers, or retail stores selling Coleman® products do not have the right to alter, modify or in any way change the terms and conditions of this warranty.

What This Warranty Does Not Cover

This warranty does not cover normal wear of parts, parts that are not genuine Coleman® parts, or damage resulting from any of the following: negligent use or misuse of the product; use on improper voltage or current; commercial use of the product; use contrary to the operating instructions; disassembly, repair or alteration by anyone other than Coleman or an authorized service center. Further, the warranty does not cover Acts of God, such as fire, flood, hurricanes and tornadoes. Warranty void if damage to product results from the use of a part other than a genuine Coleman® part.

COLEMAN SHALL NOT BE LIABLE FOR DEFECTS THAT ARE CAUSED BY THE USE OF UNAUTHORIZED PARTS OR SERVICE. COLEMAN SHALL NOT BE LIABLE FOR ANY INCIDENTAL OR CONSEQUENTIAL DAMAGES CAUSED BY THE BREACH OF ANY EXPRESS OR IMPLIED WARRANTY OR CONDITIONS. EXCEPT TO THE EXTENT PROHIBITED BY APPLICABLE LAW, ANY IMPLIED WARRANTY OF MERCHANTABILITY OR FITNESS FOR A PARTICULAR PURPOSE IS LIMITED IN DURATION TO THE DURATION OF THE ABOVE WARRANTY OR CONDITIONS. SOME STATES, PROVINCES, OR JURISDICTIONS DO NOT ALLOW THE EXCLUSION OR LIMITATION OF INCIDENTAL OR CONSEQUENTIAL DAMAGES OR LIMITATIONS ON HOW LONG AN IMPLIED WARRANTY LASTS, SO THE ABOVE LIMITATIONS OR EXCLUSION MAY NOT APPLY TO YOU. THIS WARRANTY GIVES YOU SPECIFIC LEGAL RIGHTS, AND YOU MAY ALSO HAVE OTHER RIGHTS THAT VARY FROM STATE TO STATE OR PROVINCE TO PROVINCE.

How to Obtain Warranty Service

Take the product to an authorized Coleman service center. You can find the nearest authorized Coleman service center by visiting www.coleman.com or calling 1-800-835-3278 or TDD 316-832-8707 in the United States or 1 800 387-6161 in Canada. If a service center is not conveniently located, attach to the product a tag that includes your name, address, daytime telephone number and description of the problem. Include a copy of the original sales receipt. Carefully package the product and send either by **courier** or **insured mail** with shipping and insurance prepaid to:

For products purchased in the United States:

The Coleman Company, Inc.
3600 North Hydraulic
Wichita, KS 67219

For products purchased in Canada:

Sunbeam Corporation (Canada) Limited
DBA Jarden Consumer Solutions
5975 Falbourne Street
Mississauga, Ontario
Canada L5R 3V8

The costs of transporting the product to Coleman or an authorized service center for warranty service is the responsibility of the purchaser.

Do not mail products with fuel in tanks, or with disposable propane cylinders. Remove glass globes from lanterns and wrap separately.

DO NOT RETURN THIS PRODUCT TO THE PLACE OF PURCHASE.

If you have any questions regarding this warranty please call 1-800-835-3278 or TDD 316-832-8707 in the United States or 1 800 387-6161 in Canada.

© 2006 The Coleman Company, Inc. All rights reserved. Coleman® and RoadTrip® are registered trademarks of The Coleman Company, Inc.



The Coleman Company, Inc.
3600 N. Hydraulic
Wichita, KS 67219 U.S.A.
1-800-835-3278
TDD: 316-832-8707

Sunbeam Corporation (Canada) Limited
DBA Jarden Consumer Solutions
5975 Falbourne Street
Mississauga, Ontario
Canada L5R 3V8
1 800 387-6161

Free Manuals Download Website

<http://myh66.com>

<http://usermanuals.us>

<http://www.somanuals.com>

<http://www.4manuals.cc>

<http://www.manual-lib.com>

<http://www.404manual.com>

<http://www.luxmanual.com>

<http://aubethermostatmanual.com>

Golf course search by state

<http://golfingnear.com>

Email search by domain

<http://emailbydomain.com>

Auto manuals search

<http://auto.somanuals.com>

TV manuals search

<http://tv.somanuals.com>