

PROPANE FORCED-AIR HEATERS

INSTRUCTIONS FOR USE

IMPORTANT

Read this manual carefully before assembling, using or servicing this heater. Keep this manual for future reference. If you have questions about assembly, operation, servicing or repair of this heater, please call Coleman at 1-800-835-3278 or TDD: 316-832-8707. In Canada call 1 800 387-6161.



Models: 5070 and 5075 Series

This product is designed and approved for use as an indoor construction heater in accordance with ANSI and CSA standards. It is intended for temporary heating of unoccupied buildings under construction, alteration or repair. It is not intended for home or recreational use.



ANSI Z83.7-CSA 2.14 - (2000)
CONSTRUCTION HEATER

This manual contains important information about the assembly, operation and maintenance of this construction heater. General safety information is presented in these first few pages and is also located throughout the manual. Particular attention should be paid to information accompanied by the safety alert symbol “**▲**WARNING”.

Keep this manual for future reference and to educate new users of this product. This manual should be read in conjunction with the labeling on the product.

▲ GENERAL HAZARD WARNING:

FAILURE TO COMPLY WITH THE PRECAUTIONS AND INSTRUCTIONS PROVIDED WITH THIS HEATER CAN RESULT IN DEATH, SERIOUS BODILY INJURY AND PROPERTY LOSS OR DAMAGE FROM HAZARDS OF FIRE, EXPLOSION, BURN, ASPHYXIATION, CARBON MONOXIDE POISONING, AND/OR ELECTRICAL SHOCK.

ONLY PERSONS WHO CAN UNDERSTAND AND FOLLOW THE INSTRUCTIONS SHOULD USE OR SERVICE THIS HEATER.

IF YOU NEED ASSISTANCE OR HEATER INFORMATION SUCH AS AN INSTRUCTION MANUAL, LABELS, ETC., CONTACT THE MANUFACTURER.

▲ WARNING: FIRE, BURN, INHALATION, AND EXPLOSION HAZARD. KEEP SOLID COMBUSTIBLES, SUCH AS BUILDING MATERIALS, PAPER OR CARDBOARD, A SAFE DISTANCE AWAY FROM THE HEATER AS RECOMMENDED BY THE INSTRUCTIONS. NEVER USE THE HEATER IN SPACES WHICH DO OR MAY CONTAIN VOLATILE OR AIRBORNE COMBUSTIBLES, OR PRODUCTS SUCH AS GASOLINE, SOLVENTS, PAINT THINNER, DUST PARTICLES OR UNKNOWN CHEMICALS.

▲ WARNING

NOT FOR HOME OR RECREATIONAL VEHICLE USE.

This product is designed and approved for use as an indoor construction heater in accordance with standard ANSI Z83.7 - CSA 2.14 - (2000).

We cannot foresee every use which may be made of our heaters. **Check with your local fire safety authority if you have questions about heater use.**

Other standards govern the use of fuel gases and heat producing products for specific uses. Your local authorities can advise you about these.

This indoor construction heater should not be used in areas directly exposed to water spray, rain, and/or dripping water.

CARBON MONOXIDE POISONING:

This construction heater is a combustion appliance. All combustion appliances produce carbon monoxide (CO) during the combustion process. This product is designed to produce extremely minute, non-hazardous amounts of CO if used and maintained in accordance with all warnings and instructions. Do not block air flow into or out of the heater.

Early signs of carbon monoxide poisoning may resemble the flu with headaches, dizziness and/or nausea. If these symptoms are present during operation of this product **get fresh air immediately!**

Safety Information continues on next page

MAKE SURE ADEQUATE VENTILATION IS PROVIDED. Provide a fresh outside air opening **at least** three (3) square feet (0.3 m²) or its equivalent, i.e., 1' x 3' (0.3 m x 0.9 m) for each heating unit. **DO NOT USE THIS HEATER IN LIVING QUARTERS OR WHILE SLEEPING!** California lists carbon monoxide as a reproductive toxin under Proposition 65.

PROPANE GAS:

This product is fueled by propane gas. Propane gas is invisible, odorless, and flammable. An odorant is normally added to help detect leaks and can be described as a “rotten egg” smell. The odorant can fade over time so leaking gas is not always detectable by smell alone.

Propane gas is heavier than air and leaking propane will sink to the lowest level possible. It can be ignited by ignition sources including matches, lighters, sparks or open flames of any kind many feet away from the original leak. Use only propane gas set up for vapor withdrawal.

Propane gas should be stored and used in compliance with local ordinances and codes or with ANSI/NFPA 58. Turn off propane when not in use.

FIRE/EXPLOSION:

During operation, this product can be a source of ignition. Keep heater area clear and free from combustible materials, gasoline, paint thinner, cleaning solvents and other flammable vapors and liquids. Do not use heater in areas with high dust content.

MINIMUM HEATER CLEARANCES FROM COMBUSTIBLE MATERIALS: TWO (2) FEET (0.6 M) FROM SIDES AND REAR, FOUR (4) FEET (1.2 M) FROM TOP, AND SIX (6) FEET (1.8) FROM THE OUTLET. Keep heater at least six (6) feet (1.8 m) away from propane tanks and keep propane hoses away from outlet opening of the heater.

ADDITIONAL SAFETY INFORMATION:

- Never alter or modify heater, propane hose/regulator assembly or propane cylinders. Do not attach duct work of any kind to this heater.
- Always inspect heater, propane hoses and propane cylinders before use. Do not use if leaking propane or if damaged. Replace hoses that have excessive wear, abrasion or cuts. Use only Coleman repair parts and Coleman propane hoses and regulator assemblies.
- **KEEP OUT OF REACH OF CHILDREN.**
- Heater will remain hot up to thirty (30) minutes after being turned off.
- Operate heater only on level, stable surface.
- Use only the electrical voltage and frequency specified on product decal.
- Electrical grounding instructions — this heater is equipped with a three-prong (grounding) plug for your protection against shock hazard and should be plugged directly into a properly grounded three-prong receptacle.
- Use only a three-prong, grounded extension cord.
- Make sure heater is plugged into outlet before igniting heater.
- Keep the appliance area clear and free from combustible materials, gasoline and other flammable vapors and liquids.
- Do not block or obstruct the flow of combustion and ventilation air.
- Blower (forced air) and radiant type heaters must not be directed toward any propane-gas container within 20 feet (6 m).

CONTENTS

<u>SECTION</u>	<u>PAGE</u>
General Safety Information	2,3
Product Identification	4
Unpacking	5
Theory of Operation	5
Propane Supply	5, 6
Ventilation	6
Preparation	6, 7
Operation	7 – 9
Storage	9
Maintenance	9, 10
Troubleshooting	11
Preventative Maintenance Schedule	11
Service Procedures	12, 13
Specifications	13
Wiring Diagram	14
Replacement Parts	14
Warranty	43
Technical and Repair Service	44

PRODUCT IDENTIFICATION

Piezo Ignitor Button

Top Shell

POL Fitting

Propane
Hose/Regulator
Assembly



Figure 1 - 40,000 BTU/Hr. Model

Automatic
Valve Button

Burner Valve
Knob

Inlet
Connection



Figure 2 - 50,000 to 80,000 BTU/Hr. Model

Product Identification

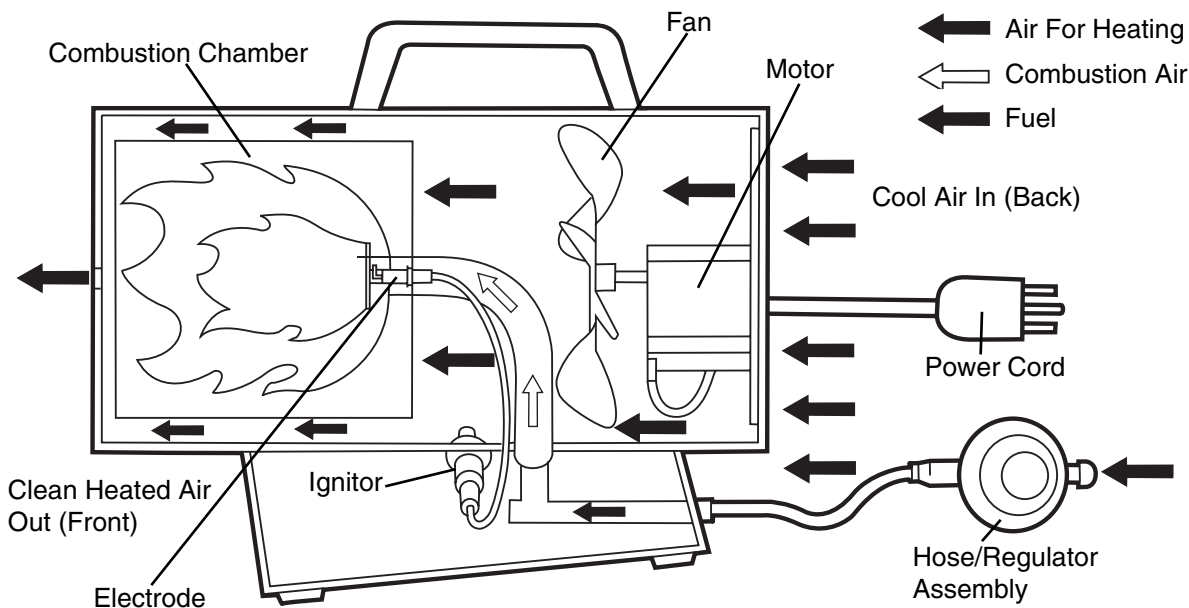
1. Remove all packing items applied to heater for shipment. Keep plastic cover caps (attached to inlet connection and hose/regulator assembly) for storage.
2. Remove all items from carton.
3. Check all items for shipping damage. If heater is damaged, promptly inform dealer where you bought heater.

The Fuel System: The hose/regulator assembly attaches to the propane gas supply. The propane gas moves through the thermoelectric valve and out the nozzle.

The Air System: The motor turns the fan. The fan pushes air into and around the combustion chamber. This air is heated and provides a stream of clean, hot air.

The Ignition System: The piezo spark ignitor (Model 5070A) or Electronic Module (Model 5075A) sends voltage to the electrode. The spark at the electrode ignites the fuel air mixture.

The Safety Control System: This system causes the heater to shut down if the heater overheats for any reason including loss of electric power. (The fan will continue to operate if electric power is not lost.)



Cross Section Operational View (5070A Model Shown)

Propane gas and propane tank(s) are to be furnished by the user.

Use this heater only with a propane vapor withdrawal supply system. See Chapter 5 of the *Standard for Storage and Handling of Liquefied Petroleum Gas, ANSI/NFPA 58*. Your local library or fire department will have this booklet.

The amount of propane gas ready for use from propane tanks varies. Two factors decide this amount:

1. The amount of propane gas in tank(s).
2. The temperature of tank(s)

Propane Supply Information continues on next page

**PROPANE
SUPPLY**
Continued

The chart below shows the minimum number of 20-pound or larger tanks needed to run these heaters at the temperature indicated for at least 10 hours. **Do not operate them with tanks smaller than indicated. Reduced performance will result.**

Average Temperature (°F) At Tank Location	NUMBER OF TANKS REQUIRED				
	32° (0°C)	20° (-7°C)	10° (-12°C)	0° (-18°C)	-10° (-23°C)
5070A751 (40,000 BTU/Hr.)	1-20#	1-40#	1-100#	2-100#	3-100#
5075A751 (80,000 BTU/Hr.)	1-100#	2-100#	2-100#	3-100#	3-100#

Less gas is vaporized at lower temperatures. You may need two or more 100-pound tanks or one larger tank in colder weather. Your local propane gas dealer will help you select the proper supply system.

VENTILATION

⚠ WARNING

Provide at least a 3-square-foot (0.3 m²) opening of fresh, outside air while running heater. If proper outside air ventilation is not provided, carbon monoxide poisoning can occur. Provide proper outside air ventilation before running heater.

PREPARATION

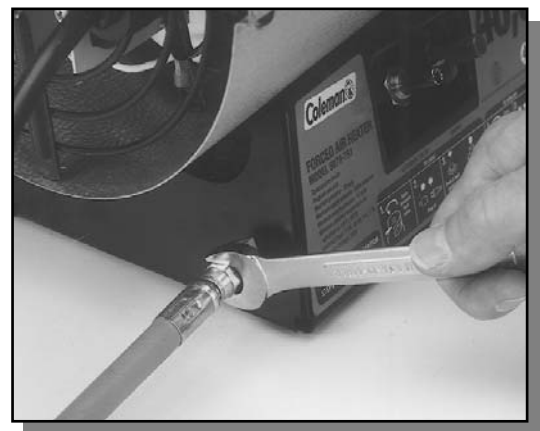
⚠ WARNING

Test all gas piping and connections for leaks after preparation or servicing. Never use an open flame to check for a leak. Apply a mixture of liquid soap and water to all joints. Bubbles forming show a leak. Correct all leaks before using product.

1. Determine propane supply needed. (See *Propane Supply*).
2. Connect hose to inlet connector. Tighten firmly in **clockwise** direction using 9/16" wrench.



Hose and Inlet Connector



Tighten with Wrench

Continued

3. Connect POL fitting on hose/regulator assembly to propane tank(s).
Turn POL fitting **counterclockwise** into threads on tank. Tighten firmly.
IMPORTANT: Tighten regulator with vent pointing down. Pointing vent down protects regulator from weather damage.



Regulator With Vent Pointing Down

4. Open valve on propane tank(s) slowly. **Note:** If not opened slowly, excess-flow check valve on propane tank will stop gas flow. If this happens, close propane valve and open again slowly.
5. Check all connections for leaks. Apply mixture of liquid soap and water to gas joints. Bubbles forming show a leak that must be corrected before using heater.
6. Close propane supply valve.

⚠ WARNING

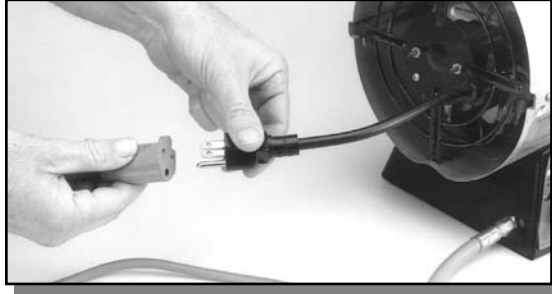
Review and understand the warnings in the General Safety Information Section. They are needed to safely operate this heater. Follow all local ordinances or codes when using this heater.

To Start Heater

1. Follow all preparation, ventilation, and safety information.
2. Locate heater on stable and level surface. Make sure strong drafts do not blow into front or rear of heater. Do not use in areas directly exposed to water spray, rain, and/or dripping water.
3. Open valve on propane tank(s) slowly. **Note:** If not opened slowly, excess-flow check valve on propane tank will stop gas flow. If this happens, close propane valve and open again slowly.



4. Plug power cord of heater into a three-prong, grounded extension cord. Extension cord must be at least six feet long. **Extension cord must be UL listed.**



Extension Cord Size Requirement

Up to 50 feet (15 m) long, use 18 AWG rated cord.
51 to 100 feet (30 m) long, use 16 AWG rated cord.
101 to 200 (61 m) feet long, use 14 AWG rated cord.

5. Plug extension cord into a 120 volt/60 hertz, three-hole, grounded outlet. The motor will start, turning the fan forcing air through the heater.
6. To light:

Model 5070A

Push in and hold automatic valve button. Push ignitor (Red) button. You may need to push the ignitor button 3 – 8 times until heater lights. *Note:* Hose may be filled with air. If so, keep automatic valve button pressed and wait 20 seconds before pressing ignitor again. When heater lights, keep automatic valve button pushed in. Release button after 30 seconds.

Model 5075A

Push in & hold automatic valve button. **NOTE:** Hose may be filled with air. If so, continue to keep automatic valve button pressed. When heater lights, keep automatic valve button pushed in. Release button after 30 seconds.



5070A751 Model Shown

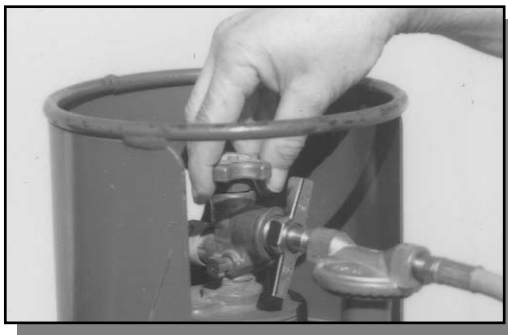
7. If heater goes out, repeat step 6.
8. Adjust burner valve to desired heat level. (5075A751 Model only)



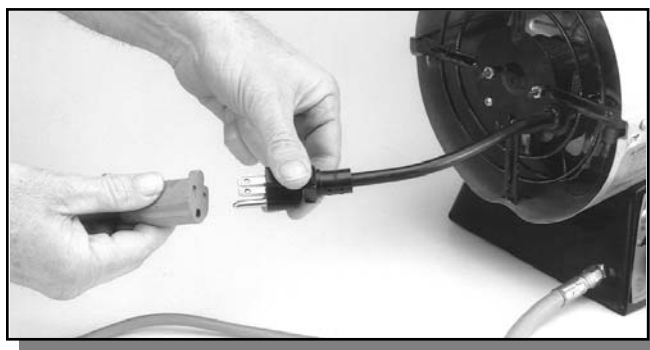
Continued

To Stop Heater

1. Tightly close valve on propane tank(s).



2. Wait a few seconds. Heater will burn gas left in hose.
3. Unplug heater.



⚠ WARNING

Disconnect heater from propane supply tank(s) before storage.

1. Store propane tank(s) in safe manner. See Chapter 5 of *Standard for Storage and Handling of Liquefied Petroleum Gases, ANSI/NFPA 58*. Follow all local codes.
2. Place plastic cover caps over brass fittings on inlet connection and hose/regulator assembly of heater.
3. Store heater in a dry, clean, and safe place.

⚠ WARNING

Never attempt to service heater while it is plugged in, connected to propane supply, operating or hot. Severe burns and electrical shock can occur.

1. Keep heater clean. Clean heater annually or as needed to remove dust and debris. If heater is dirty or dusty, clean heater with a damp cloth.
2. Inspect heater before each use. Check connections for leaks. Apply mixture of liquid soap and water to connections. Bubbles forming show a leak. Correct all leaks before using heater.
3. Inspect propane hose/regulator assembly before each use. Replace hoses that have excessive wear, abrasion, or cuts. Inspect "O" ring for damage. Replace if cut or cracked.
4. Have heater inspected yearly by a qualified service person.
5. Keep inside of heater free from combustible and foreign objects.

STORAGE

MAINTENANCE

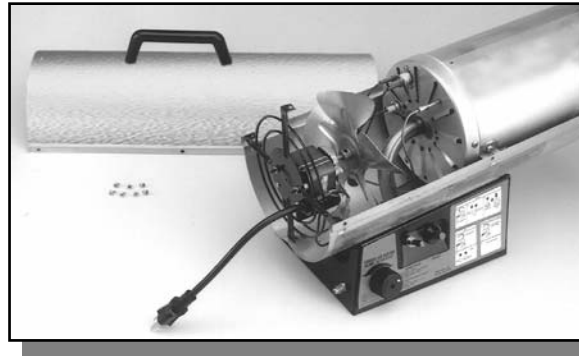
Continued

6. **FAN** - Clean every 500 hours of operation or as needed.

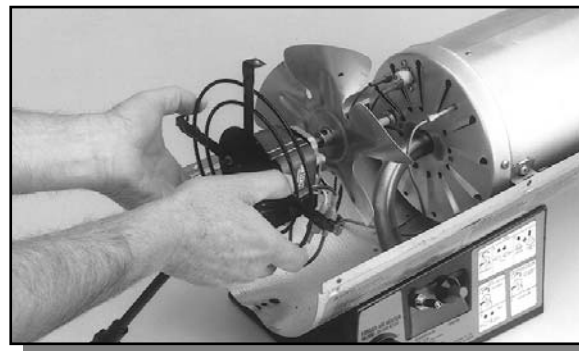
- A. Remove screws along each side of heater and on top of the motor guard using a Phillips screwdriver. These screws attach top and lower shells together.



- B. Lift top shell off.



- C. Lift out motor/guard assembly.



IMPORTANT: Do not allow the motor/guard assembly to rest on the fan or damage may be caused to the blades.

- D. Clean fan using soft cloth moistened with kerosene or solvent. Dry fan thoroughly. Clean inside the shell adjacent to where the fan runs.
E. Replace motor/guard assembly and top shell.

7. **ELECTRODE**

- A. Make sure gap between electrode wire and burner nozzle is .20 (0.5 cm) to .25" (0.6 cm). Access electrode from inside combustion chamber. No other maintenance is needed for electrode.

Continued

⚠ WARNING

Never attempt to service heater while it is plugged in, connected to propane supply, operating or hot. Severe burns and electrical shock can occur.

<u>SYMPTOM</u>	<u>POSSIBLE CAUSE</u>	<u>REMEDY</u>
Fan does not turn when heater is plugged in.	No electrical power to heater	Check voltage to electrical outlet. If voltage is good, check heater power cord for breaks.
	Fan blades bent	Replace fan. See <i>Replacing Fan</i> , Page 13.
	Defective motor	Replace motor. See <i>Replacing Motor</i> , page 12.
Heater will not ignite.	User did not follow preparation or operation instructions properly	Repeat preparation and operation instructions. See <i>Preparation</i> , pages 6 & 7 and <i>Operation</i> , pages 7, 8 & 9.
	No spark at electrode. To test for spark, follow step 9 under <i>Replacing Electrode</i> , page 13. If you see spark at ignitor, have heater serviced by qualified service person. If no spark seen:	
	A) Loose or disconnected ignitor wire	A) Check ignitor wire. Tighten or reattach loose ignitor wire. See page 5 for ignitor wire location.
	B) Wrong spark gap	B) Set gap between ignitor electrode and target plate to .20" (0.5 cm).
	C) Piezo ignitor loose	C) Tighten piezo ignitor to base of heater.
	D) Bad electrode	D) Replace electrode. See <i>Replacing Electrode</i> , page 13.
	E) Bad piezo ignitor	E) Replace ignitor.
Heater shuts down while running.	F) Bad electronic module	F) Replace electronic module.
	High surrounding air temperature causing thermal limit device to shut down heater.	This can happen when running heater in temperatures above 85°F (29°C). Run heater in cooler temperatures.
	Restricted air flow	Check heater inlet and outlet. Remove any obstructions.
⚠ WARNING Use only in areas free of high dust content.	Damaged fan	Replace fan. See <i>Replacing Fan</i> , page 13.
	Excessive dust or debris in surrounding area	Clean heater. See <i>Maintenance</i> , pages 9 & 10.

ITEM

Fan

HOW OFTEN

Clean every 500 hours of operation or as needed.

HOW TO

See Fan, page 10

Electrode

Clean and regap every 500 hours of operation or replace as needed.

See Electrode, page 10

**PREVENTIVE
MAINTENANCE
SCHEDULE**

Continued

⚠ WARNING

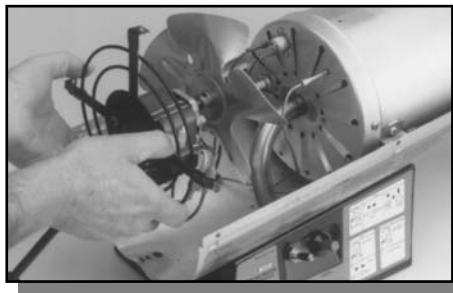
Never attempt to service heater while it is plugged in, connected to propane supply, operating, or hot. Severe burns and electrical shock can occur.

REPLACING MOTOR

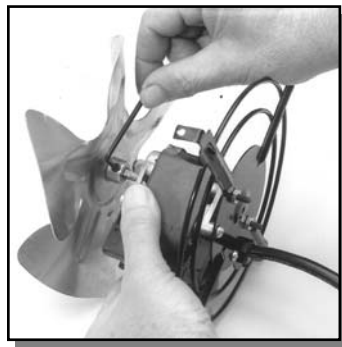
1. Remove top shell (see FAN under maintenance).



2. Lift out motor/guard assembly.



3. Use a 1/8" hex wrench to loosen setscrew which holds fan to motor shaft.



4. Remove fan from motor shaft (it may be necessary to pry the fan from the shaft) being careful not to damage the blades.
5. Remove the ground wire screw and two wire leads from the motor.
6. Remove two nuts and two screws which attach the motor to the guard.
7. Discard motor.
8. Attach new motor to guard using two screws and nuts.
9. Replace fan on shaft with approx. 3/8" (1 cm) of shaft showing through fan hub.
10. Tighten setscrew firmly (40-50 inch pounds).
11. Install ground wire and wire leads to motor.
12. Set motor/guard assembly in the lower shell. Turn fan to check for interference.
13. Install the top shell.

Continued

REPLACING FAN

1. Remove motor/guard assembly (follow steps 1 through 4 above).
2. File the setscrew mark off the motor shaft.
3. Replace fan (follow steps 9 through 13 above).

REPLACING ELECTRODE

1. Remove shell and motor/guard assembly (see FAN under maintenance).
2. Pull wire off of electrode.
3. Remove screw holding electrode to diffuser.
4. Remove electrode from diffuser.
5. Place new electrode in diffuser.
6. Install screw, insure electrode gap is .20 (0.5 cm) to .25 (0.6 cm) inch.
7. Push ignitor wire on electrode wire.
8. Reinstall motor/guard assembly and upper shell.
9. For Model 5070A, push ignitor button and check for spark between deflector and electrode. For Model 5075A check for sparks between deflector & electrode after plugging in. **Do not connect propane supply.**

SPECIFICATIONS

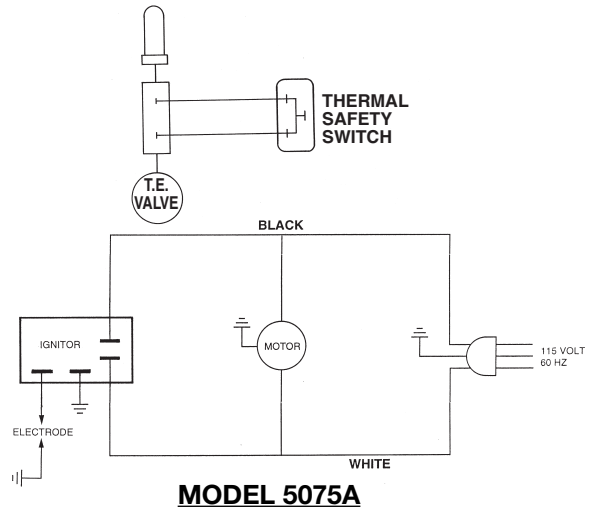
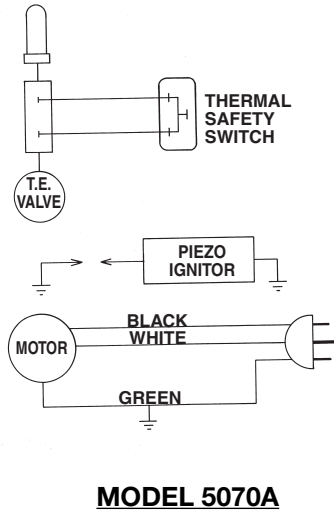
FORCED AIR HEATER SPECIFICATIONS
40,000 BTU/HR - MODEL 5070A

Input Rating (BTU/HR)	40,000
Fuel	Propane Vapor Only
Fuel Consumption	
Gallons/Hour	.44 (1.7 L)
Pounds/Hour	1.8 (0.8 kg)
Regulator Output Pressure	10 PSI (70 kPa)
Hose	10 Ft. (3 m)
Hot Air Output (CFM Approx.)	150
Motor	3,000 RPM
Power Required	115 Volt/60 Hz
Amps	1.1
Ignition	Manual/Piezo
Weight (pounds)	14 (6.4 kg)
Size (HWL) (IN)	14 x 8.5 x 16.5 (35.6 x 21.6 x 41.9 cm)
Temperature Operating Range	-10°F to 85°F (-23° to 29.4°C)

FORCED AIR HEATER SPECIFICATIONS
50,000 TO 80,000 BTU/HR - MODEL 5075A

Input Rating (BTU/HR)	80,000 Max
Fuel	Propane Vapor Only
Fuel Consumption	
Gallons/Hour	.9 (3.4 L)
Pounds/Hour	3.7 (1.7 kg)
Regulator Output Pressure	10 PSI (70 kPa)
Hose	10 Ft. (3 m)
Hot Air Output (CFM Approx.)	300
Motor	3,000 RPM
Power Required	115 Volt/60 Hz
Amps	2.6
Ignition	Electronic Module
Weight (pounds)	17 (7.7 kg)
Size (HWL) (IN)	14 x 8.5 x 22.5 (35.6 x 21.6 x 57.2 cm)
Temperature Operating Range	-10°F to 85°F (-23° to 29.4°C)

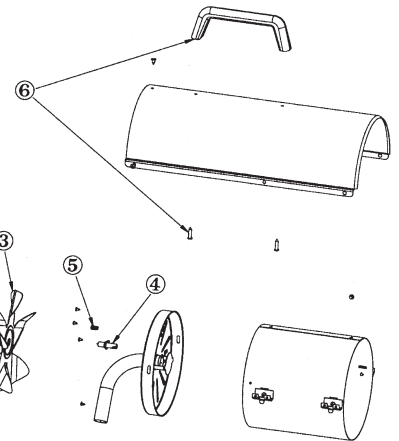
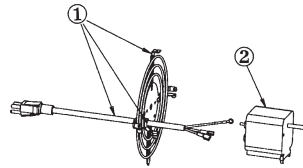
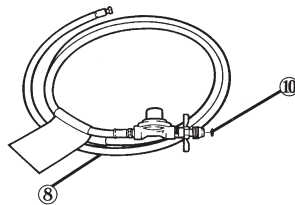
WIRING DIAGRAM



REPLACEMENT PARTS

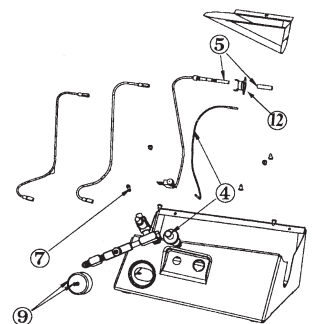
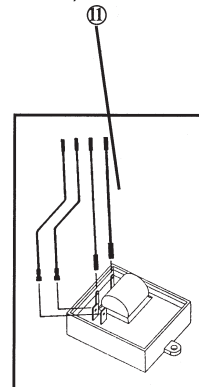
⚠ WARNING

Use only original replacement parts. Do not substitute or use generic parts. Improper replacement parts could cause serious or fatal injuries.



I.D. NO.	PART NO.	DESCRIPTION
1	5070-2851	Guard & Pigtail Assembly
2	5070-2801	Motor (5070A Model)
	5075-2801	Motor (5075A Model)
3	5070-2891	Fan Blade for Heater (5070A Model)
	5075-2891	Fan Blade for Heater (5075A Model)
4	5070-3111	Electronic Ignition Assembly (5070A Model)
5	5070-3271	Thermocouple & Clip
	5075-3271	Thermocouple, Clip & Spacer
6	5070-2001	Handle & Screws
7	5070-2181	Gas Tip (5070A Model)
	5075-2181	Gas Tip (5075A Model)
8	5080-5651	Hose & Regulator
9	5080-1491	Knob & Screw (5075A Model)
10	5410A1381	O-ring
11	5075B3001	E.I. Module Assembly* (5075A Model)
12	5070A2701	Thermostat

* Used on heaters manufactured after August 2002.



CHAUFFERETTES À AIR PULSÉ, AU GAZ PROPANE

MODE D'EMPLOI

IMPORTANT

Lisez attentivement ce manuel avant d'assembler, d'utiliser ou de réparer la chaufferette; gardez-le pour le consulter au besoin. Pour toutes questions concernant l'assemblage, le fonctionnement, l'entretien ou la réparation, veuillez composer le 1 800 835-3278 ou le 316-832-8707 aux États-Unis, ou bien le 1 800 387-6161 au Canada.




Modèles des séries 5070 et 5075

Cet appareil est conçu et homologué pour emploi en tant que radiateur de construction, conformément aux normes ANSI et CGA. Il est destiné au chauffage temporaire des bâtiments inhabités pendant leur construction ou leur rénovation. Il ne convient pas au chauffage domiciliaire ou récréatif.




ANSI Z83.7-CSA 2.14 - (2000)
RADIATEUR DE CONSTRUCTION

Ce manuel renferme des renseignements importants sur l'assemblage, le fonctionnement et l'entretien des chaufferettes de construction. Les généralités de sécurité sont fournies non seulement dans les premières pages, mais aussi ici et là dans le manuel. Prêtez toujours attention quand vous voyez le symbole « AVERTISSEMENT».

Gardez ce manuel pour le consulter au besoin et pour apprendre aux nouveaux utilisateurs à l'employer. Lisez-le de préférence de concert avec les étiquettes apposées sur la chaufferette.

 **AVERTISSEMENTS GÉNÉRAUX DE RISQUES:**

L'INOBSERVATION DES PRÉCAUTIONS ET DES INSTRUCTIONS FOURNIES AVEC L'APPAREIL PEUT ENTRAÎNER MORT, BLESSURES CORPORELLES GRAVES ET DOMMAGES OU PERTES MATÉRIELS PAR SUITE DES RISQUES D'INCENDIE, D'EXPLOSION, DE BRÛLURES, D'ASPHYXIE, D'INTOXICATION OXYCARBONÉE OU DE CHOC ÉLECTRIQUE. CE RADIATEUR NE DOIT ÊTRE UTILISÉ OU RÉPARÉ QUE PAR DES PERSONNES CAPABLES D'ASSIMILER ET D'OBSERVER LES INSTRUCTIONS FOURNIES. SI VOUS AVEZ BESOIN D'AIDE OU DE RENSEIGNEMENTS – NOTICE D'EMPLOI OU ÉTIQUETTES, PAR EXEMPLE – VEUILLEZ ENTRER EN RAPPORT AVEC LE FABRICANT.

 **AVERTISSEMENT: RISQUE D'INCENDIE, DE BRÛLURES ET D'EXPLOSION. GARDEZ LES SOLIDES COMBUSTIBLES (MATÉRIAUX DE CONSTRUCTION, PAPIER ET CARTON, PAR EX.) À LA DISTANCE CONSEILLÉE DE L'APPAREIL. N'EMPLOYEZ PAS LA CHAUFFERETTE DANS LES LOCAUX QUI CONTIENNENT OU PEUVENT CONTENIR COMBUSTIBLES VOLATILS OU AÉROPORTÉS, ESSENCE, SOLVANTS, DISSOLVANTS, FIBRES OU PRODUITS CHIMIQUES INCONNUS.**

 **AVERTISSEMENT
NE CONVIENT PAS AUX MAISONS OU VÉHICULES DE PLAISANCE.**

Cet appareil est conçu et homologué pour être employé en tant que radiateur de construction destiné à l'intérieur, conformément aux exigences de la norme ANSI Z83.7 - CSA 2.14 - (2000).

Nous ne pouvons pas entrevoir toutes les utilisations auxquelles puissent être soumises nos chaufferettes. **Vérifiez auprès des autorités de sécurité contre l'incendie, au niveau municipal, si vous avez toute question au sujet de l'emploi de la chaufferette.**

D'autres standards régissent l'utilisation des gaz combustibles et combustibles gazeux destinés à des utilisations spécifiques. Les autorités locales vous renseigneront à ce sujet.

Conçue pour l'intérieur, la chaufferette de construction ne devrait pas servir dans les lieux où elle puisse être exposée à de la pulvérisation d'eau, à la pluie ou à un dégouttement d'eau.

OXYCARBONISME

Cette chaufferette est un appareil à combustion qui, comme tous les appareils de ce genre, dégage de l'oxyde de carbone (CO) en fonctionnant. Elle est conçue pour produire des quantités infimes et non dangereuses de CO lorsque utilisée et entretenue conformément à tous les avertissements et aux instructions. N'obstruez jamais ses prises d'air.

Les premiers indices d'oxycarbonisme peuvent rappeler les symptômes de la grippe – maux de tête, étourdissement ou nausée. En présence de tels symptômes lors du fonctionnement de la chaufferette, **sortez immédiatement à l'air libre!**

Autres renseignements de sécurité en page suivante

ASSUREZ-VOUS QUE L'APPROVISIONNEMENT EN AIR NEUF SOIT SUFFISANT. Une bouche d'air d'au moins 0,3 m² (3 pi²) ou l'équivalent, soit 0,3 x 0,9 m (1 x 3 pi), est requise pour chaque unité. **N'UTILISEZ PAS CETTE CHAUFFERETTE DANS LES LOCAUX HABITÉS OU PENDANT LE SOMMEIL!** En Californie, d'après la Proposition 65, l'oxyde de carbone est répertorié comme agent toxique pour la reproduction.

GAZ PROPANE :

Cet appareil brûle le propane – gaz invisible, inodore et inflammable. Un odorisant (odeur d'œufs pourris) y est généralement ajouté pour faciliter la détection des fuites. L'odeur pouvant s'affaiblir avec le temps, le nez seul ne peut pas toujours déceler les fuites.

Étant plus lourd que l'air, le propane qui fuit s'accumule au niveau le plus bas et peut être enflammé par allumettes, briquets, étincelles ou flammes nues se trouvant même à une distance de la fuite. N'utilisez que les bonbonnes standard pour l'alimentation.

Le gaz propane devrait être entreposé et employé selon les règlements ou les codes municipaux ou selon la norme ANSI/NFPA 58. Fermez le propane s'il ne sert pas.

INCENDIE OU EXPLOSION :

Ce produit peut être une source d'inflammation pendant son fonctionnement. Veillez à ce que la chaufferette soit à l'écart (et sa proximité exempte) de matériaux combustibles, d'essence, de solvants, de dissolvants et d'autres liquides ou vapeurs inflammables. N'employez pas la chaufferette dans les locaux à haute teneur en poussières. **LES DÉGAGEMENTS MINIMAUX DE LA CHAUFFERETTE AUX MATIÈRES COMBUSTIBLES SONT DE 0,6 M (2 PI) POUR LES CÔTÉS ET L'ARRIÈRE ET DE 1,2 M (4 PI) POUR LE DESSUS. LA CHAUFFERETTE DOIT ÊTRE PLACÉE À AU MOINS 1,8 M (6 PI) DE LA PRISE ÉLECTRIQUE.** Gardez-la, en outre, à au moins 1,8 m (6 pi) des bonbonnes de propane et ses tuyaux souples, éloignés des orifices d'admission.

AUTRES RENSEIGNEMENTS DE SÉCURITÉ :

- Ne modifiez jamais la chaufferette, l'ensemble tuyau et régulateur ou les bonbonnes de propane. Ne raccordez pas de gaine quelle qu'elle soit à la chaufferette.
- Examinez soigneusement la chaufferette, les tuyaux souples et les bonbonnes de propane avant l'utilisation. Ne l'employez pas en cas de fuites ou de dommages. Remplacez les tuyaux s'ils sont très usés ou fendus. N'employez que les pièces de rechange Coleman ainsi que les ensembles tuyau souple et régulateur Coleman.
- **GARDEZ LA CHAUFFERETTE HORS DE LA PORTÉE DES ENFANTS.**
- La chaufferette restera chaude jusqu'à trente (30) minutes après son extinction.
- Pour l'utilisation, placez la chaufferette sur une surface plate et stable.
- Utilisez la tension et la fréquence précisées sur la décalcomanie du produit.
- Instructions de mise à la terre – cette chaufferette est équipée d'une fiche à trois broches (dont une de mise à la terre), pour vous protéger des risques de chocs électriques. Cette fiche doit être branchée directement sur une prise appropriée, convenablement mise à la terre.
- N'employez qu'une rallonge pourvue d'une fiche tripolaire (à mise à la terre).
- Assurez-vous que la chaufferette soit convenablement branchée avant de l'allumer.
- Gardez la proximité de l'appareil exempte de matières combustibles, d'essence et de vapeurs ou liquides inflammables.
- N'entrez ou n'obstruez en aucun cas le flux d'air de combustion et de ventilation.
- Les appareils à ventilateur (air pulsé) et à rayonnement ne doivent pas être orientés vers des bonbonnes de gaz propane se trouvant à moins de 6 m (20 pi).

**TABLE DES
MATIÈRES**

SECTION	PAGE
Généralités de sécurité	16, 17
Identification du produit	18
Déballage	19
Théorie du fonctionnement	19
Alimentation en propane	19, 20
Ventilation	20
Préparation	20, 21
Fonctionnement	21 à 23
Rangement	23
Entretien	23, 24
Dépistage des pannes	25
Calendrier d'entretien préventif	25
Méthodes de dépannage	26, 27
Données techniques	27
Schéma de câblage	28
Pièces de rechange	29
Garantie	43
Service des réparations	44

**IDENTIFICA-
TION
DU
PRODUIT**

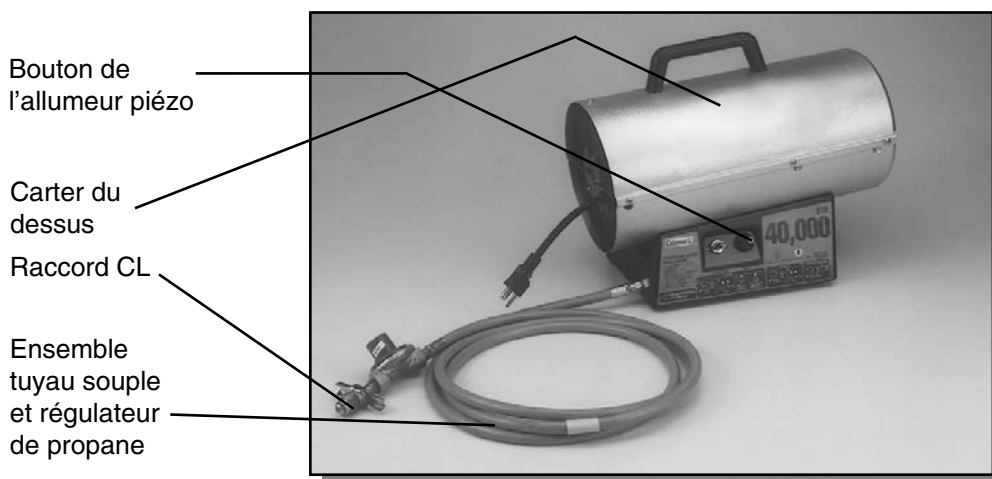


Figure 1 – Modèle de 40 000 btu/h

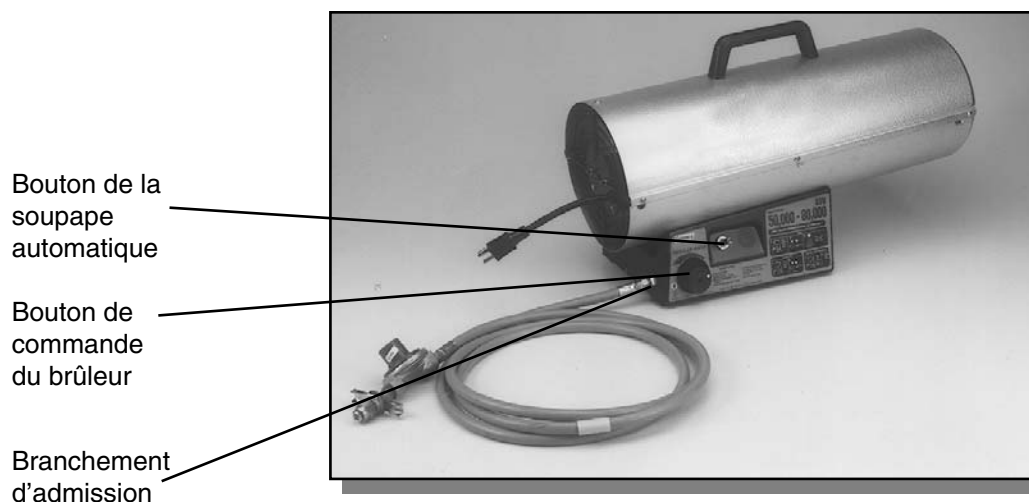


Figure 2 – Modèle de 50 000 à 80 000 btu/h

Identification du produit

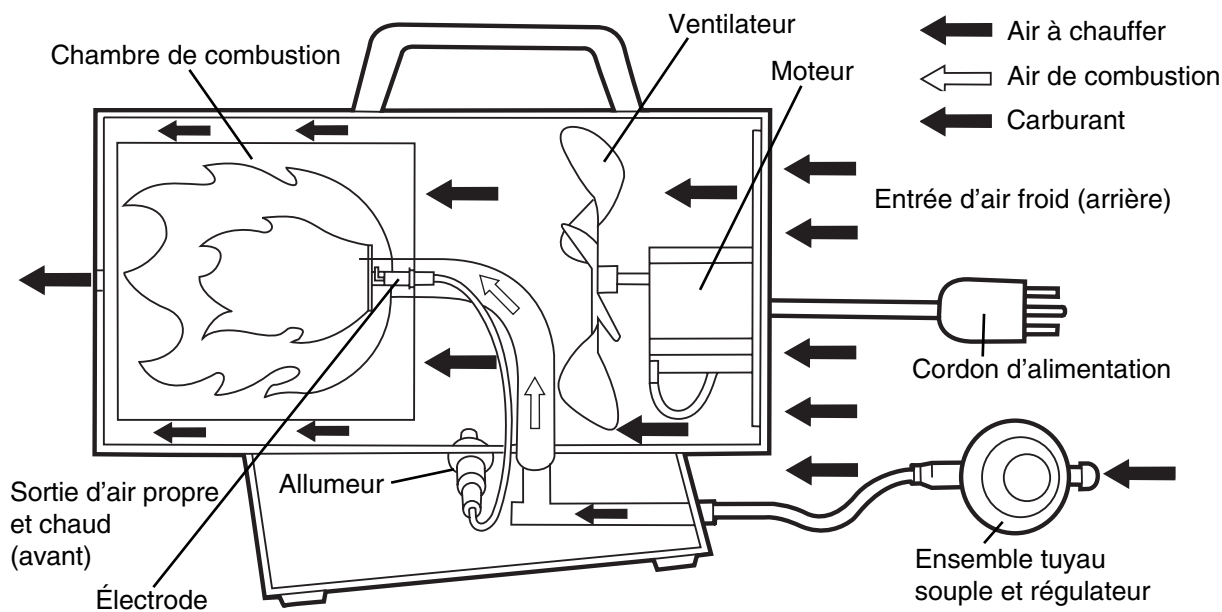
1. Retirez l'emballage qui protégeait l'appareil pendant l'expédition. Gardez les bouchons de plastique (se trouvant au branchement d'admission et à l'ensemble tuyau souple et régulateur), vous vous en servirez pour le rangement.
2. Videz complètement le carton d'emballage.
3. Assurez-vous qu'aucun des éléments n'ait subi d'avaries en cours d'expédition. Si la chauffeuse est abîmée, informez-en sans délai le marchand qui vous l'a vendue.

Approvisionnement en carburant: L'ensemble tuyau souple et régulateur se fixe à la bonbonne de propane. Le gaz traverse la soupape thermoélectrique et sort par l'ajutage.

Alimentation en air: Le moteur fait tourner l'hélice. L'hélice propulse l'air dans et autour de la chambre de combustion. Cet air est réchauffé et procure un écoulement continu d'air propre et chaud.

Système d'allumage: L'allumeur piézo à étincelle (du modèle 5070A) ou le module électronique (du modèle 5075A) fait parvenir la tension à l'électrode. L'étincelle à l'électrode enflamme le mélange carburant et air.

Système de commande de sécurité: A pour fonction d'arrêter la chauffeuse si celle-ci surchauffe pour une raison quelconque – y compris s'il y a coupure de courant. (L'hélice continue à fonctionner s'il n'y a pas perte de courant.)



Coupe transversale du fonctionnement (modèle 5070A illustré)

Il incombe à l'utilisateur de procurer le gaz propane ainsi que la (les) bonbonne(s).

N'alimentez ce radiateur qu'avec les bonbonnes de propane standard. Consultez le chapitre 5 «*Entreposage et manipulation des gaz de pétrole liquéfiés*» de la norme ANSI/NFPA 58. Cette norme peut être consultée à la bibliothèque ou au service d'incendie.

La quantité de gaz propane contenue dans les bonbonnes et donc utilisable varie. Deux facteurs déterminent cette quantité.

1. La quantité de gaz propane dans la (les) bonbonne(s).
2. La température de la (des) bonbonne(s).

Autres renseignements d'alimentation en propane à la page suivante

ALIMENTATION EN PROPANE (suite)

Le tableau ci-dessous montre le nombre minimal de bonbonnes de 20 lb nécessaires pour faire fonctionner la chaufferette à la température indiquée au moins 10 heures. **Ne vous servez pas de bonbonnes plus petites, le rendement en serait réduit.**

NOMBRE DE BONBONNES REQUISES

Température moy. où se trouve la bonbonne	0 °C / 32 °F	-7 °C / 20 °F	-12 °C / 10 °F	-18 °C / 0 °F	-23 °C / -10 °F
5070A751C (40 000 btu/h)	1 de 20 lb	1 de 40 lb	1 de 100 lb	2 de 100 lb	3 de 100 lb
5075A751C (80 000 btu/h)	1 de 100 lb	2 de 100 lb	2 de 100 lb	3 de 100 lb	3 de 100 lb

Il se vaporise moins de gaz à basse température. Deux bonbonnes de 100 lb ou plus – ou une bonbonne de plus grande capacité – peuvent être requises par temps plus froid. Votre fournisseur de propane vous aidera à choisir le système d'alimentation approprié.

VENTILATION

⚠ AVERTISSEMENT

Pour le fonctionnement, prévoyez une prise d'air (air neuf provenant de l'extérieur) d'au moins 0,3 mètre carré (3 pi²). L'oxycarbonisme risque de survenir si la ventilation est inadéquate. Ouvrez la bouche d'air frais avant de mettre la chaufferette de construction en marche.

PRÉPARATION

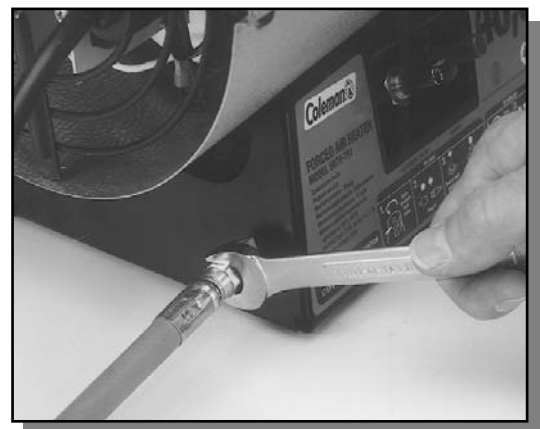
⚠ AVERTISSEMENT

Faites l'essai de détection des fuites après la préparation ou l'entretien. **Ne vous servez surtout jamais d'une flamme!** Mettez une solution de savon liquide et d'eau à tous les raccords. La formation de bulles signale une fuite. Éliminez toutes les fuites avant de mettre l'appareil en marche.

1. Établissez l'alimentation en propane requise. (Voyez «*Alimentation en propane*»).
2. Branchez le tuyau souple au raccord d'admission. Serrez fermement, en tournant **en sens horaire**, à l'aide d'une clé de 9/16 po.



Tuyau souple et raccord d'admission



Serrez à l'aide d'une clé

voyez la page suivante

3. Branchez le raccord CL de l'ensemble tuyau-régulateur à la (aux) bonbonne(s). Tournez le raccord en **sens antihoraire** dans le filetage de la bonbonne. Serrez à fond.
IMPORTANT: Serrez le régulateur en orientant le purgeur vers le sol. Orienter le purgeur vers le sol protège le régulateur des dommages découlant des conditions atmosphériques.



Régulateur avec purgeur orienté vers le sol

4. Ouvrez le robinet de la (des) bonbonne(s) lentement. *Remarque:* Si vous ne l'ouvrez pas lentement, le clapet limiteur de débit de la bonbonne arrêtera le débit de gaz. Si ceci arrive, fermez le robinet de la bonbonne de propane puis rouvrez-le lentement.
5. Vérifiez qu'il n'y ait pas de fuites. Mettez une solution de savon liquide et eau aux raccordements. La formation de bulles signale une fuite. Éliminez-la avant la mise en marche.
6. Fermez le robinet d'alimentation en propane.

⚠ AVERTISSEMENT

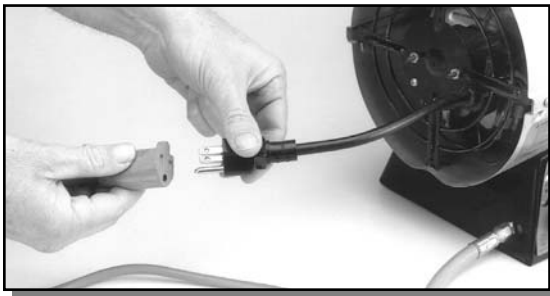
Lisez et assimilez les avertissements donnés sous « Généralités de sécurité », ils sont essentiels au fonctionnement sans danger. Observez tous les règlements ou codes municipaux lors de l'utilisation de la chaufferette.

Mise en marche de la chaufferette

1. Observez les instructions de préparation, ventilation et sécurité.
2. Posez l'appareil sur une surface plate et stable. Assurez-vous qu'il n'y ait pas de grand refoulement d'air sur l'avant ou l'arrière de la chaufferette. N'employez pas celle-ci dans les endroits où elle puisse être exposée à de la pulvérisation d'eau, à la pluie ou à un dégouttement d'eau.
3. Ouvrez le robinet de la (des) bonbonne(s) lentement. *Remarque:* Si vous ouvrez le robinet trop vite, le clapet limiteur de débit arrêtera le gaz. En ce cas, fermez le robinet puis rouvrez-le lentement.



4. Branchez le cordon de la chaufferette à une rallonge à 3 broches (à mise à la terre), d'au moins 1,8 m (6 pi) de longueur. **Le cordon de rallonge doit être homologué ULC.**



Exigences quant au cordon de rallonge

Jusqu'à 15 m (50 pi) de long, utilisez une rallonge numéro 18, calibre américain de fil.

De 15 à 30 m (51 à 100 pi), utilisez une rallonge numéro 16, calibre américain de fil.

De 30 à 61 m (101 à 200 pi), utilisez une rallonge numéro 14, calibre américain de fil.

5. Branchez la rallonge sur prise tripolaire (mise à la terre) de 120 volts, 60 hertz. Le moteur démarrera et fera tourner l'hélice qui propulse l'air à travers la chaufferette.

6. Allumage:

Modèle 5070A

Enfoncez, sans le relâcher, le bouton de la soupape automatique. Appuyez sur l'allumeur (rouge) jusqu'à 3 à 8 fois pour allumer la chaufferette. *Remarque:* Le tuyau peut être rempli d'air. En ce cas, tenez le bouton de la soupape automatique enfoncé pendant 20 sec avant d'appuyer de nouveau sur l'allumeur. Ne relâchez ce bouton que 30 sec après l'allumage.

Modèle 5075A

Enfoncez, sans le relâcher, le bouton de la soupape automatique. **REMARQUE:** Le tuyau peut être rempli d'air. En ce cas, tenez le bouton de la soupape automatique enfoncé. Ne relâchez ce bouton que 30 secondes après l'allumage de la chaufferette.



Modèle 5070A751 illustré

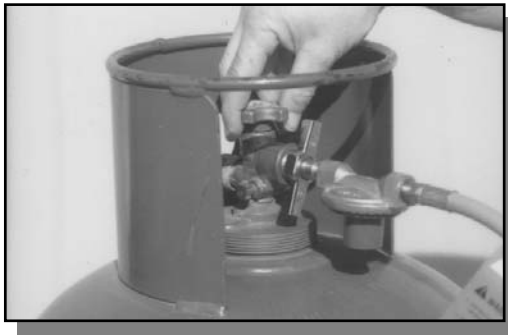
7. Si la chaufferette s'éteint, répétez les directives du paragraphe 6.
8. Ajustez le bouton de commande selon la température désirée (modèle 5075A751 seulement).



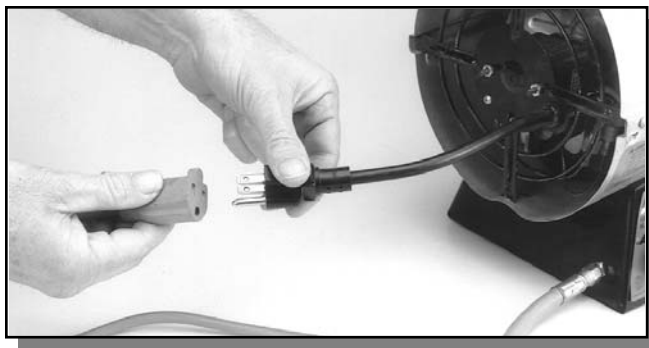
voyez la page suivante

Arrêt de la chauffeurette

1. Fermez le robinet de la (des) bonbonne(s) de propane à fond.



2. Attendez un instant (pour que le gaz qui reste dans le tuyau brûle).
3. Débranchez la chauffeurette.



⚠ AVERTISSEMENT

Débranchez la chauffeurette de la (des) bonbonne(s) avant de la ranger.

1. Rangez le propane comme il se doit. Consultez le chapitre 5 « *Entreposage et manipulation des gaz de pétrole liquéfiés* » de la norme ANSI/NFPA 58. Observez tous les codes municipaux.
2. Placez les bouchons de plastique sur les garnitures de laiton, au branchement d'admission et à l'ensemble du tuyau souple et régulateur de la chauffeurette.
3. Rangez la chauffeurette en lieu sûr, dans un endroit sec et propre.

⚠ AVERTISSEMENT

Ne tentez pas de réparer une chauffeurette reliée à une bonbonne, fonctionnant ou chaude. Brûlures et chocs électriques graves pourraient en résulter.

1. Maintenez la chauffeurette propre. Nettoyez-la tous les ans – ou au besoin – pour enlever saleté et débris. Si elle est sale ou poussiéreuse, nettoyez-la avec un linge humide.
2. Examinez la chauffeurette avant chaque utilisation. Vérifiez qu'il n'y ait pas de fuites en mettant une solution de savon liquide et d'eau aux raccordements. La formation de bulles signale une fuite. Éliminez toute fuite avant de mettre l'appareil en marche.
3. Examinez l'ensemble tuyau souple et régulateur avant chaque utilisation. Remplacez les tuyaux très usés ou fendus. Assurez-vous que le joint torique ne soit pas endommagé. Remplacez-le s'il est fendu ou craqué.
4. Demandez à un dépanneur compétent de vérifier le radiateur une fois par an.
5. Gardez l'intérieur de la chauffeurette exempt de carburant et de corps étrangers.

FONCTION-
NEMENT
(suite)

FRENCH

RANGEMENT

ENTRETIEN

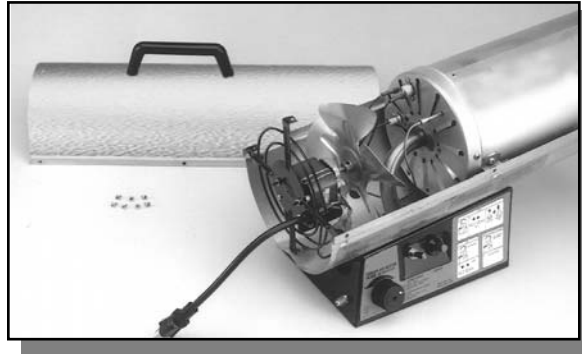
tournez la page s.v.p.

6. **HÉLICE** - Nettoyez-la toutes les 500 heures de fonctionnement ou au besoin.

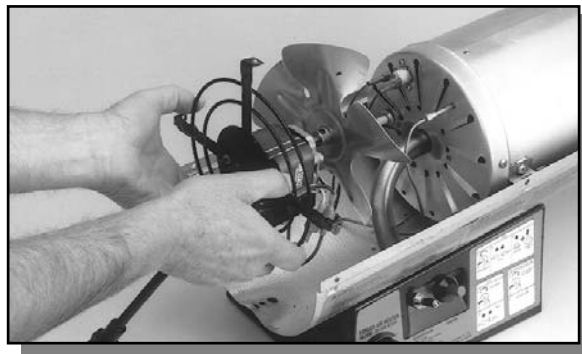
- A. Enlevez les vis du carter (côtés et dessus) avec un tournevis à pointe cruciforme (Phillips). Elles fixent le carter du dessus au carter du dessous.



- B. Levez le carter du dessus.



- C. Levez l'ensemble moteur et protecteur.



IMPORTANT: Veillez à ce que l'ensemble moteur et protecteur ne repose pas contre l'hélice car ceci risquerait d'endommager les pales.

- D. Nettoyez l'hélice avec un linge doux imbibé de kérosène ou de solvant. Asséchez-la à fond. Nettoyez l'intérieur du carter au niveau de l'hélice.
E. Remplacez l'ensemble moteur et protecteur ainsi que le carter du dessus.

7. **ÉLECTRODE**

- A. Assurez-vous que l'écartement du fil électrode et de l'ajutage du brûleur soit de 0,5 à 0,6 cm (0,20 à 0,25 po). L'accès à l'électrode se fait de l'intérieur de la chambre de combustion. L'électrode ne requiert aucun autre entretien.

voyez la page suivante

⚠ AVERTISSEMENT

Ne tentez pas de réparer une chaufferette reliée à une bonbonne, fonctionnant ou chaude. Brûlures et chocs électriques graves pourraient en résulter.

**DÉPISTAGE
DES
PANNES**

INDICE

CAUSE POSSIBLE

SOLUTION

L'hélice ne tourne pas quand la chaufferette est branchée.

Absence de courant électrique à la chaufferette

Vérifiez la tension à la prise. Si elle est bonne, assurez-vous que le cordon de la chaufferette ne soit pas coupé.

Pales de l'hélice faussées

Remplacez l'hélice. Voyez la marche à suivre à la page 27.

Moteur défectueux

Remplacez le moteur. Voyez la marche à suivre à la page 26.

La chaufferette ne s'allume pas.

L'utilisateur n'a pas convenablement suivi les directives de préparation et de fonctionnement

Répétez les instructions de *Préparation* aux pages 20 et 21 et de *Fonctionnement* aux pages 21, 22 et 23.

Absence d'étincelle à l'électrode.
Pour faire la vérification, agissez tel qu'indiqué au par. 23 de la page 27.
S'il se produit une étincelle, ayez recours aux services d'un dépanneur compétent.
Si vous ne voyez pas d'étincelle:

A) Fil de l'allumeur étant soit desserré soit déconnecté

A) Vérifiez le fil de l'allumeur. Serrez ou rattachez-le s'il y a lieu. Voyez l'emplacement du fil de l'allumeur à la page 19.

B) Écartement inexact

B) Réglez l'écartement entre l'électrode de l'allumeur et la plaque à 0,5 cm (0,20 po).

C) Allumeur piézo desserré

C) Serrez l'allumeur piézo à la base de la chaufferette.

D) Electrode défectueuse

D) Remplacez l'électrode tel qu'indiqué à la page 27.

E) Allumeur piézo défectueux

E) Remplacez l'allumeur.

F) Module électronique défectueux

F) Remplacez le module électronique.

La chaufferette s'arrête au cours du fonctionnement.

Température ambiante élevée, ce qui active le dispositif de limite thermique qui fait arrêter la chaufferette

Ceci peut arriver quand la chaufferette fonctionne bien qu'il fasse plus de 29,4 °C (85 °F). Ne vous servez de la chaufferette que par temps plus frais.

Écoulement d'air restreint

Vérifiez l'entrée et la sortie de la chaufferette. Enlevez les obstructions.

⚠ AVIS

Ne l'employez pas dans les locaux à haute teneur en poussières.

Hélice endommagée

Remplacez l'hélice tel qu'indiqué à la page 27.

Proximité contenant une quantité excessive de poussières ou de débris

Nettoyez la chaufferette. Voyez les conseils d'entretien aux pages 23 et 24.

PIÈCE

QUAND

COMMENT

Hélice

Nettoyez-la toutes les 500 heures de fonctionnement ou au besoin.

Voyez «Hélice», page 24

Électrode

Nettoyez-la et rectifiez l'écartement toutes les 500 heures de fonctionnement. Remplacez-la au besoin.

Voyez «Électrode», page 24

FRENCH

**CALENDRIER
D'ENTRETIEN
PRÉVENTIF**

tournez la page s.v.p.

⚠ AVERTISSEMENT

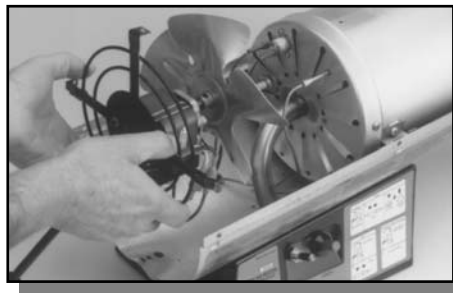
Ne tentez pas de réparer une chaufferette reliée à une bonbonne, fonctionnant ou chaude. Brûlures et chocs électriques graves pourraient en résulter.

REPLACEMENT DU MOTEUR

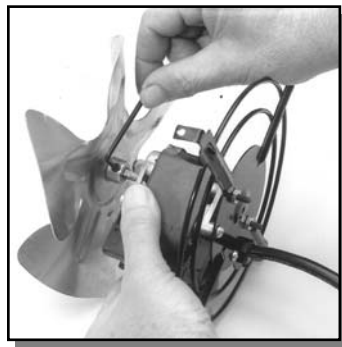
1. Enlevez le carter du dessus (voyez «HÉLICE» sous «Entretien»).



2. Levez l'ensemble moteur et protecteur.



3. Avec une clé hexagonale (1/8 po), desserrez la vis d'arrêt ancrant l'hélice à l'arbre moteur.



4. Séparez l'hélice de l'arbre moteur (il vous faudra peut-être utiliser un dispositif comme levier), en prenant soin de ne pas abîmer les pales.
5. Enlevez la vis du fil de terre et les deux conducteurs du moteur.
6. Retirez les deux écrous et les deux vis qui immobilisent le moteur au protecteur.
7. Mettez le moteur usé au rebut.
8. Fixez le moteur neuf au protecteur à l'aide des deux vis et écrous.
9. Remettez l'hélice sur l'arbre ; 1 cm (0,4 po) d'arbre dépassera du moyeu de l'hélice.
10. Serrez fermement la vis d'arrêt (pression de 40-50 po-lb).
11. Attachez le fil de terre ainsi que les conducteurs au moteur neuf.
12. Réinstallez l'ensemble moteur et protecteur. Vérifiez que l'hélice tourne librement.
13. Remettez le carter du dessus.

voyez la page suivante

REMPACEMENT DE L'HÉLICE

1. Enlevez l'ensemble moteur et protecteur (paragraphe de 1 à 4 de la page précédente).
2. Limez la marque ayant été laissée par la vis d'arrêt sur l'arbre moteur.
3. Remplacez l'hélice (paragraphe de 9 à 13 de la page précédente).

REMPACEMENT DE L'ÉLECTRODE

1. Enlevez l'ensemble moteur et protecteur (voyez «HÉLICE» sous «Entretien»).
2. Retirez le fil de l'électrode.
3. Enlevez la vis immobilisant l'électrode au diffuseur.
4. Séparez l'électrode du diffuseur.
5. Placez une électrode neuve dans le diffuseur.
6. Posez la vis; vérifiez l'écartement de l'électrode, il doit être de 0,5 à 0,6 cm (0,20 à 0,25 po).
7. Poussez le fil de l'allumeur sur le fil de l'électrode.
8. Remettez l'ensemble moteur et protecteur ainsi que le carter du dessus en place.
9. Modèle 5070A : enfoncez l'allumeur et vérifiez qu'il se produise une étincelle entre le déflecteur et l'électrode. Modèle 5075A : vérifiez qu'il se produise des étincelles entre le déflecteur et l'électrode après le branchement électrique. **Ne branchez pas l'appareil à la bonbonne de propane.**

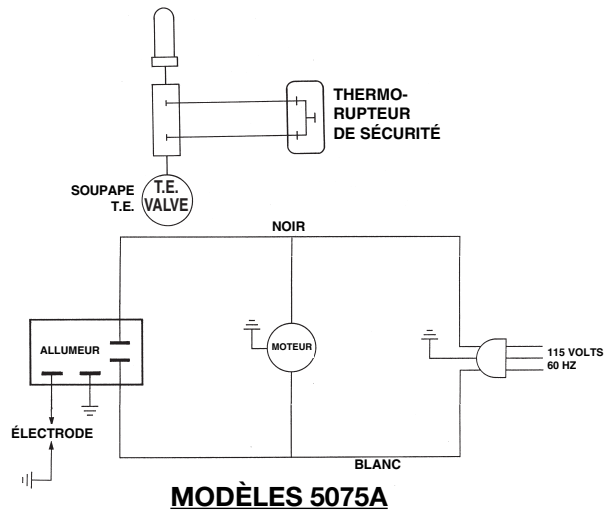
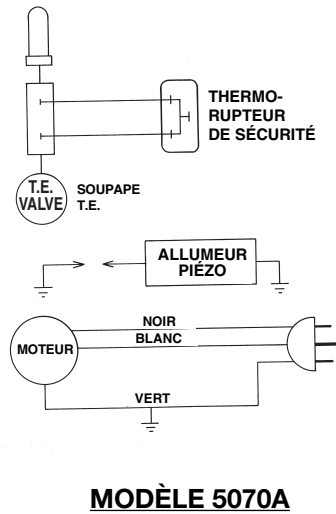
DONNÉES
TECHNIQUESCHAUFFERETTE À AIR PULSÉ
DE 40 000 BTU/H - MODÈLE 5070A

Évaluation (btu/h)	40 000
Carburant	vapeur de propane seul.
Consommation horaire de carburant	1,7 L (0,44 gal ÉU) / 0,8 kg (1,8 lb)
Pression de sortie, régulateur	70 kPa (10 psi)
Tuyau souple	3 m (10 pi)
Débit d'air chaud/min	4,2 m ³ (150 pi ³)
Moteur	3 000 tr/min
Courant requis	115 volts, 60 Hz
Ampères	1,1
Allumage	manuel/piézo
Poids	6,4 kg (14 lb)
Dimensions	35,6 x 21,6 x 41,9 cm
(haut. x larg. x long.)	14 x 8,5 x 16,5 po
Gamme de temp.	-23 à 29,4 °C (-10 à 85 °F)

CHAUFFERETTE À AIR PULSÉ DE
50 000 À 80 000 BTU/H - MODÈLE 5075A

Évaluation (btu/h)	80 000 max.
Carburant	vapeur de propane seul.
Consommation horaire de carburant	3,4 L (0,9 gal ÉU) / 1,7 kg (3,7 lb)
Pression de sortie, régulateur	70 kPa (10 psi)
Tuyau souple	3 m (10 pi)
Débit d'air chaud/min	8,5 m ³ (300 pi ³)
Moteur	3 000 tr/min
Courant requis	115 volts, 60 Hz
Ampères	2,6
Allumage	module électronique
Poids	7,7 kg (17 lb)
Dimensions	35,6 x 29,6 x 57,2 cm
(haut. x larg. x long.)	14 x 8,5 x 22,5 po
Gamme de temp.	-23 à 29,4 °C (-10 à 85 °F)

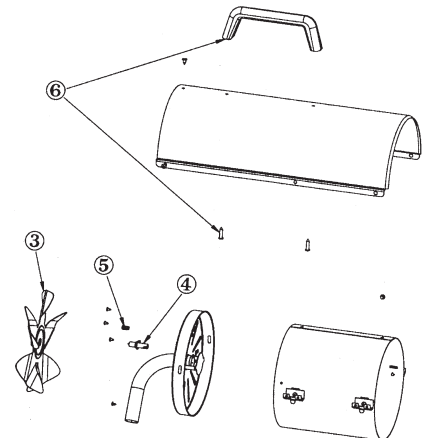
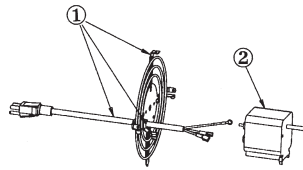
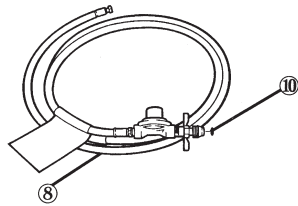
SCHÉMA DE CÂBLAGE



PIÈCES DE RECHANGE

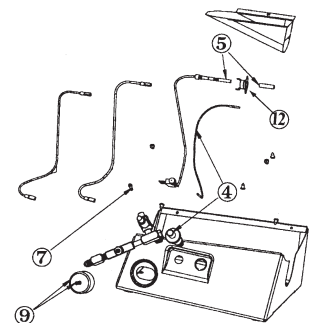
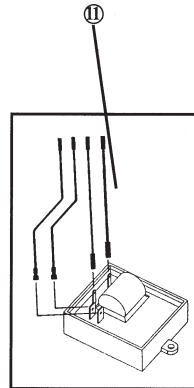
⚠ AVERTISSEMENT

N'employez que des pièces de rechange authentiques, jamais de pièces de rechange d'autres marques. Des pièces incorrectes pourraient causer des blessures graves, voire mortelles.



N°	N° DE PIÈCE	DÉSIGNATION
1	5070-2851	Ensemble protecteur et toron de raccordement
2	5070-2801 5075-2801	Moteur (modèle 5070A) Moteur (modèle 5075A)
3	5070-2891 5075-2891	Hélice (modèle 5070A) Hélice (modèle 5075A)
4	5070-3111	Ensemble d'allumage électronique (modèle 5070A)
5	5070-3271 5075-3271	Thermocouple et pince Thermocouple, pince et bague d'écartement
6	5070-2001	Poignée et vis
7	5070-2181 5075-2181	Bec de gaz (modèle 5070A) Bec de gaz (modèle 5075A)
8	5080-5651	Tuyau souple et régulateur
9	5080-1491	Bouton et vis (modèle 5075A)
10	5410A1381	Joint torique
11	5075B3001	Ensemble du module d'allumage électronique* (modèle 5075A)
12	5070A2701	Thermostat

* Pour appareils fabriqués après août 2002



CALEFACTOR A GAS PROPANO CON VENTILACIÓN FORZADA

INSTRUCCIONES DE USO

IMPORTANTE

Lea cuidadosamente este manual antes de ensamblar, usar o dar servicio al calefactor. Guarde este manual para referencia futura. Si tiene dudas acerca del ensamblaje, funcionamiento, servicio o reparación de esta unidad, sírvase llamar a Coleman al 1-800-835-3278 o a la línea para personas con dificultad auditiva 316-832-8707. En Canadá llame al 1 800 387-6161.



Modelos: Series 5070 y 5075

Este producto ha sido diseñado y aprobado para ser usado como un calefactor para interiores de acuerdo con las normas ANSI y CGA. Esta unidad ha sido creada con el fin de calentar temporalmente edificios desocupados en construcción o que están siendo remodelados o reparados. No está hecha para uso doméstico ni recreativo.



ANSI Z83.7-CSA 2.14 - (2000)
CALEFACTOR DE CONSTRUCCION

El presente manual contiene información importante relacionada con el ensamblaje, funcionamiento y mantenimiento de este calefactor para construcciones. Estas primeras páginas incluyen información general sobre seguridad, las cuales se repiten en distintas secciones del manual. Debe prestarse especial atención a toda información acompañada por el símbolo de alerta y seguridad “▲ ADVERTENCIA”.

Guarde este manual para referencia futura y para enseñar el uso de esta unidad a otras personas. Este manual debe leerse conjuntamente con las etiquetas fijadas al producto.

▲ ADVERTENCIA GENERAL DE PELIGRO:

EL NO CUMPLIR CON LAS PRECAUCIONES E INSTRUCCIONES PROVISTAS CON ESTE CALEFACTOR PUEDE RESULTAR EN MUERTE, HERIDAS CORPORALES SERIAS Y PÉRDIDA DE LA PROPIEDAD O DAÑOS PROVENIENTES POR RIESGOS DE FUEGO, EXPLOSIÓN, QUEMADURA, ASFIXIA, ENVENENAMIENTO POR MONÓXIDO DE CARBONO Y/O DESCARGA ELÉCTRICA. SÓLO LAS PERSONAS QUE PUEDAN COMPRENDER Y SEGUIR LAS INSTRUCCIONES DEBERÁN USAR O DARLE SERVICIO A ESTE CALEFACTOR. SI USTED NECESITA ASISTENCIA O INFORMACIÓN DEL CALEFACTOR TALES COMO UN MANUAL DE INSTRUCCIONES, ETIQUETAS, ETC., PÓNGASE EN CONTACTO CON EL FABRICANTE.

▲ ADVERTENCIA: PELIGRO DE FUEGO, QUEMADURAS, INHALACIÓN Y EXPLOSIÓN. MANTENGA LOS COMBUSTIBLES SÓLIDOS, COMO LOS MATERIALES DE CONSTRUCCIÓN, PAPELES O CARTONES A UNA DISTANCIA PRUDENCIAL DEL CALEFACTOR SEGÚN SE RECOMIENDA EN LAS INSTRUCCIONES. NUNCA USE EL CALEFACTOR EN LUGARES QUE CONTENGAN, O PUEDAN CONTENER, COMBUSTIBLES VOLÁTILES O EN SUSPENSIÓN, O PRODUCTOS COMO LA GASOLINA, LOS SOLVENTES, EL DILUYENTE DE PINTURA, LAS PARTÍCULAS DE POLVO, O LAS SUSTANCIAS QUÍMICAS DESCONOCIDAS.

**▲ ADVERTENCIA
UNIDAD NO ADAPTADA PARA USO DOMÉSTICO NI EN VEHÍCULOS RECREATIVOS.**

Este producto está diseñado y aprobado para ser usado en interiores como un calefactor para la construcción de acuerdo con el estándar ANSI Z83.7 - CSA 2.14 - (2000).

No podemos prever todos los usos que se les puedan dar a nuestros calefactores. **Verifique con su departamento de bomberos local si tiene dudas con respecto al uso del calefactor.**

Otras normas regulan el uso de gases combustibles y productos generadores de calor para usos específicos. Las autoridades locales pueden aconsejarle acerca de las mismas.

Este calefactor para la construcción de uso en interiores no debe utilizarse en áreas directamente expuestas a salpicaduras con agua, lluvia y/o goteo.

ENVENENAMIENTO CON MONÓXIDO DE CARBONO:

Este calefactor para la construcción funciona por combustión. Todos los aparatos de esta índole producen monóxido de carbono (CO) durante su proceso de combustión. Este producto ha sido diseñado para producir cantidades extremadamente ínfimas y no peligrosas de CO, siempre que se use y mantenga de acuerdo con todas las advertencias e instrucciones adjuntas. No bloquee el flujo del aire que entra o sale del calefactor.

Los primeros síntomas de envenenamiento por monóxido de carbono son similares a los de la gripe, incluyendo dolores de cabeza, mareos y/o náuseas. Si tiene estos síntomas mientras la unidad está funcionando, **¡salga a tomar aire fresco de inmediato!**

La Información General sobre Seguridad continúa en la página siguiente

ASEGÚRESE DE CONTAR CON VENTILACIÓN ADECUADA. Debe haber una abertura para que circule el aire de **por lo menos tres (3) pies cuadrados (0.3 m²)** o su equivalente, por ej., 1' x 3' (0.3 m x 0.9 m) por cada unidad. **¡NO USE ESTE CALEFACTOR EN DEPENDENCIAS HABITADAS O MIENTRAS DUERME!** El estado de California incluye el monóxido de carbono como una toxina reproductiva en la Proposición 65.

GAS PROPANO:

Este producto funciona con gas propano. Este gas es invisible, inodoro e inflamable. Normalmente, se le agrega cierto olor para ayudar a detectar fugas, el cual puede describirse como un olor a “huevo podrido”. Éste puede desvanecerse con el tiempo por lo que las fugas no siempre pueden detectarse sólo por el olor.

El gas propano es más pesado que el aire y cuando hay fugas siempre se desplazan a los niveles más bajos posibles. Varias fuentes de combustión pueden ocasionar que el gas se inflame. Éstas pueden ser fósforos, encendedores, chispas o llamas abiertas de cualquier tipo ubicadas a muchos pies de distancia de la fuga original. Use la unidad sólo con un sistema de gas propano con eliminación de vapores.

El gas propano debe guardarse y usarse según lo especifican las ordenanzas y códigos locales o la norma ANSI/NFPA 58. Apague el suministro de gas cuando no lo utilice.

FUEGO/EXPLOSIÓN:

Durante el funcionamiento, este producto representa una fuente de ignición. Mantenga el área del calefactor libre de todo material combustible, gasolina, diluyente de pintura, solventes de limpieza y otros vapores y líquidos inflamables. No use el calefactor en áreas con alto contenido de polvo. **LAS DISTANCIAS MÍNIMAS DEL CALEFACTOR A CUALQUIER MATERIAL COMBUSTIBLE SON: DOS (2) PIES (0.6 M) A LOS LADOS Y DESDE ATRÁS, CUATRO (4) PIES (1.2 M) DESDE LA PARTE SUPERIOR Y SEIS (6) PIES (1.8 M) DESDE LA SALIDA.** Mantenga el calefactor a por lo menos seis (6) pies (1.8 m) de los tanques de propano y mantenga las mangueras alejadas de la abertura de salida del calefactor.

INFORMACIÓN ADICIONAL SOBRE SEGURIDAD:

- Nunca altere o modifique el calefactor, el conjunto de regulador/manguera ni los cilindros de gas propano. No conecte ningún tipo de tubería a este calefactor.
- Siempre inspeccione el calefactor, las mangueras y los cilindros de gas antes de usar la unidad. No lo use si hay fuga de gas o está dañado. Reemplace las mangueras que evidencian desgaste excesivo, abrasión o cortaduras. Use sólo los repuestos, mangueras y reguladores Coleman.
- MANTENGA LA UNIDAD FUERA DEL ALCANCE DE LOS NIÑOS.
- El calefactor se mantendrá caliente hasta treinta (30) minutos después de apagado.
- Opere el calefactor sólo sobre una superficie nivelada y estable.
- Use sólo el voltaje eléctrico y la frecuencia especificados en la calcomanía del producto.
- Instrucciones de puesta a tierra. Este calefactor está equipado con un enchufe de tres espigas (con conexión a tierra) que lo protege a usted contra descargas eléctricas y debe conectarse directamente en el tomacorriente para tres espigas con conexión a tierra.
- Use sólo un cordón de extensión de tres espigas con conexión a tierra.
- Asegúrese que el calefactor esté conectado su calefactor sea inspeccionado anualmente por un centro de reparaciones autorizado.
- Mantenga el área del aparato clara y libre de materiales combustibles, gasolina y otros vapores y líquidos inflamables.
- No bloquee u obstruya el flujo del aire de ventilación y combustión.
- Calefactores tipo ventilador (de aire forzado) y de tipo radiantes no deben ser dirigidos hacia ningún contenedor de gas de propano dentro de 20 pies (6 m).

CONTENIDO

SECCIÓN

PÁGINA

Información general sobre seguridad	30, 31
Identificación del producto	32
Desembalaje	33
Teoría de funcionamiento	33
Suministro de gas propano	33, 34
Ventilación	34
Preparación	34, 35
Operación	35 – 37
Almacenamiento	37
Mantenimiento	37, 38
Localización de averías	39
Programa de mantenimiento preventivo.....	39
Procedimientos de servicio	40, 41
Especificaciones	41
Diagrama de conexiones.....	42
Repuestos	42
Garantía	43
Servicio de reparación	44

IDENTIFICACIÓN DEL PRODUCTO

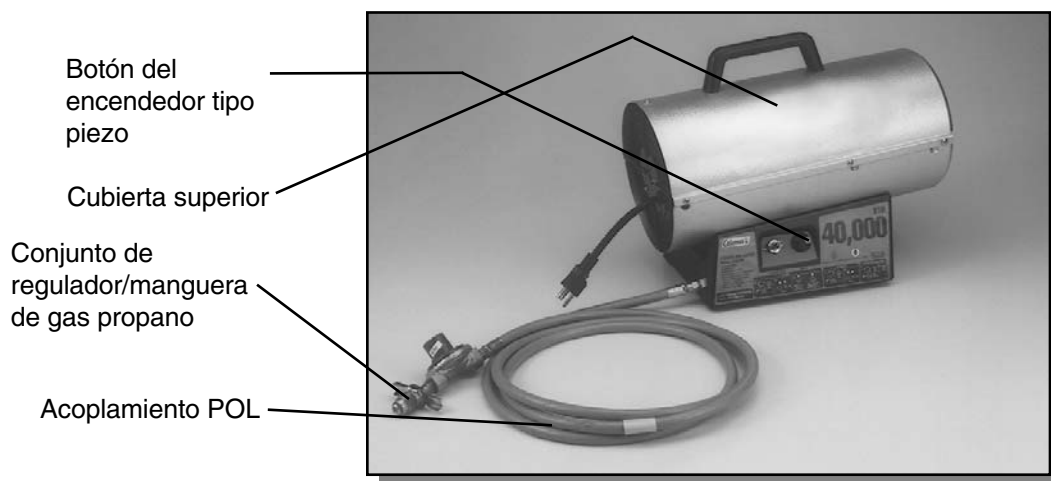


Figura 1 - Modelo de 40,000 BTU/h.

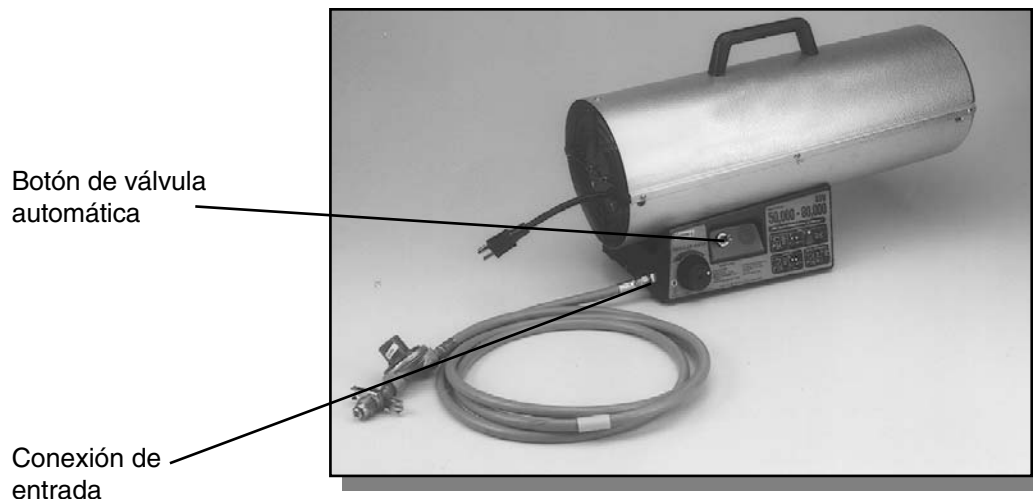


Figura 2 - Modelo de 50,000 a 80,000 BTU/h.

Identificación del producto

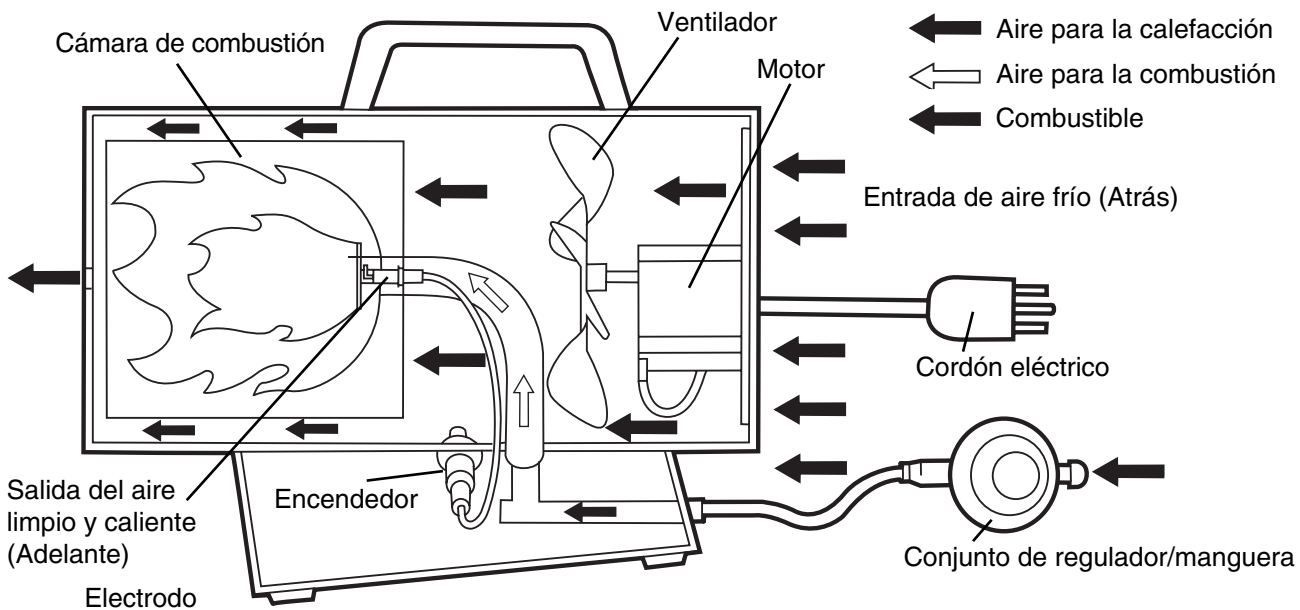
1. Quite todos los artículos de empaque que recubren la unidad para su despacho. Guarde los casquillos plásticos (colocados en la conexión de entrada y en el conjunto de regulador/manguera) para su futuro almacenamiento.
2. Saque todo de la caja.
3. Verifique que todo esté en perfectas condiciones. Si el calefactor está dañado, informe de inmediato al distribuidor donde adquirió la unidad.

Sistema de combustible: El conjunto regulador/manguera se conecta al suministro de gas. El gas propano pasa por la válvula termoelectrica y sale por la boquilla.

Sistema de aire: El motor hace girar el ventilador. El ventilador empuja el aire hacia adentro y a la cámara de combustión. El aire se calienta y suministra un flujo limpio y caliente.

Sistema de encendido: El encendedor tipo piezo (Modelo 5070A) o el Módulo Electrónico (Modelo 5075A) envía voltaje al electrodo. La chispa en el electrodo enciende la mezcla combustible/aire.

Sistema de control de seguridad: Este sistema hace que el calefactor interrumpa su funcionamiento cuando alcanza temperaturas muy altas por cualquier motivo incluyendo la falta de energía eléctrica. (El ventilador seguirá funcionando si hay energía eléctrica).



Sección transversal - Diagrama de funcionamiento (Modelo 5070A ilustrado)

El usuario debe proveer el gas propano y el tanque(s).

Use este calefactor sólo con un sistema de suministro de gas propano con eliminación de vapores. Consulte el Capítulo 5 de la Norma estándar para el almacenamiento y manipuleo de gas de petróleo licuado (*Standard for Storage and Handling of Liquefied Petroleum Gas*) ANSI/NFPA 58. Su biblioteca o departamento de bomberos local tiene esta publicación.

La cantidad de gas propano en los tanques varía. Dos factores determinan la misma:

1. La cantidad de gas propano en el tanque(s).
2. La temperatura del tanque(s).

La sección de información sobre Suministro de Gas Propano continúa en la página siguiente

El cuadro a continuación muestra el mínimo número de tanques de 20 libras, o más grandes, necesarios para hacer funcionar a estos calefactores a la temperatura indicada durante 10 horas como mínimo. **No los haga funcionar con tanques de menos libras que las indicadas ya que obtendrá menor rendimiento.**

NÚMERO DE TANQUES NECESARIOS

Temperatura promedio (en °F)
donde están los tanques

	32° (0°C)	20° (-7°C)	10° (-12°C)	0° (-18°C)	-10° (-23°C)
5070A751 (40,000 BTU/h.)	1-20 lb.	1-40 lb.	1-100 lb.	2-100 lb.	3-100 lb.
5075A751 (80,000 BTU/h.)	1-100 lb.	2-100 lb.	2-100 lb.	3-100 lb.	3-100 lb.

El gas se evapora menos cuando las temperaturas son más bajas. Dos o más tanques de 100 libras, o uno más grande, pueden requerirse en climas más fríos. Su distribuidor de gas propano local le ayudará a escoger el sistema de suministro adecuado.

VENTILACIÓN

⚠ ADVERTENCIA

Debe haber una abertura, de por lo menos 3 pies cuadrados (0.3 m²), para que circule el aire mientras la unidad está funcionando. Si no hay ventilación exterior suficiente, puede ocasionarse envenenamiento por inhalación de monóxido de carbono. Asegúrese de contar con ventilación exterior adecuada antes de poner en funcionamiento la unidad.

PREPARACIÓN

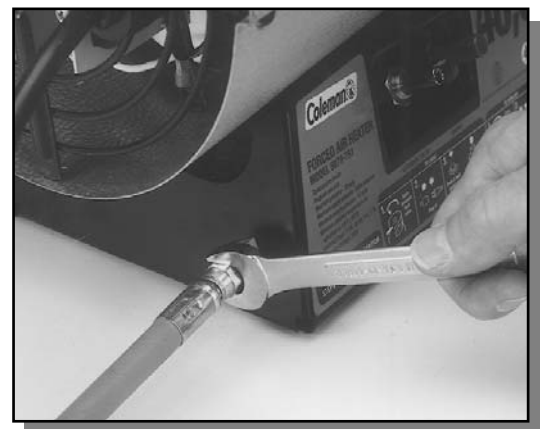
⚠ ADVERTENCIA

Revise todas las tuberías y conexiones de gas por fugas después de preparar la unidad o darle servicio. Nunca use llama para verificar fugas. Aplique una mezcla de jabón líquido y agua a todas las uniones. La formación de burbujas indica que hay una fuga. Repare todas las fugas antes de usar la unidad.

1. Determine el tipo de suministro de gas propano necesario. (*Consulte la sección Suministro de Gas Propano*).
2. Fije la manguera a la conexión de entrada. Ajústela firmemente en **sentido horario** con una llave de 9/16".



Manguera y conexión de entrada



Ajuste con llave

3. Conecte el acoplamiento POL del conjunto regulador/manguera al tanque(s) de gas propano. Enrosque el acoplamiento POL en **sentido antihorario** en el tanque. Ajuste firmemente. **IMPORTANTE:** Ajuste el regulador con el orificio de ventilación hacia abajo. Esto evita que los agentes climáticos puedan dañarlo.



Regulador con orificio de ventilación hacia abajo

4. Abra lentamente la válvula del tanque(s) de gas propano. *Nota:* Si no la abre lentamente, la válvula de sentido de flujo excesivo del tanque detendrá el flujo de gas. Si esto ocurre, cierre la válvula de gas y vuelva a abrirla lentamente.
5. Revise todas las conexiones por fugas. Aplique una mezcla de jabón líquido y agua a todas las uniones. La formación de burbujas indica que hay una fuga que debe ser reparada antes de usar la unidad.
6. Cierre la válvula de suministro de gas propano.

⚠ ADVERTENCIA

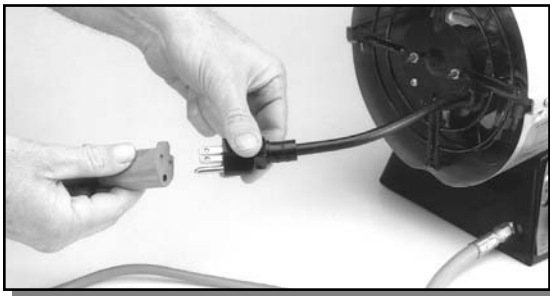
Revise y entienda las advertencias de la sección Información General sobre Seguridad. Esto es necesario para operar el calefactor en forma segura. Siga todas las ordenanzas o códigos locales cuando use este calefactor.

Para encender el calefactor

1. Siga todas las indicaciones de preparación, ventilación y seguridad.
2. Coloque el calefactor sobre una superficie estable y nivelada. Asegúrese de que la unidad no esté expuesta a fuertes ráfagas de viento ni la use en áreas directamente expuestas a salpicaduras de agua, lluvia y/o goteo.
3. Lentamente abra la válvula del tanque(s) de gas propano. *Nota:* Si no se la abre lentamente, la válvula de sentido de flujo excesivo del tanque detendrá el flujo de gas. Si esto ocurre, cierre la válvula de gas y vuelva a abrirla lentamente.



4. Enchufe el cordón eléctrico del calefactor al cordón de extensión de tres espigas con conexión a tierra. El cordón de extensión debe medir seis pies de largo como mínimo. **El cordón de extensión debe estar aprobado por UL.**



Requisitos de tamaño del cordón de extensión

Hasta 50 pies (15 m) de largo, use un cordón de 18 AWG.

De 51 a 100 pies (30 m) de largo, use un cordón de 16 AWG.

De 101 a 200 pies (61 m) de largo, use un cordón de 14 AWG.

5. Enchufe el cordón de extensión en un tomacorriente de 120 voltios/60 hertz de tres espigas con conexión a tierra. El motor arrancará, haciendo girar el ventilador y forzando a que el aire atraviese el calefactor.
6. Para encender:

Modelo 5070A

Oprima y mantenga presionado el botón de la válvula automática. Oprima el botón ignitor (rojo). Puede que tenga que oprimir el botón de 3 a 8 veces para que el calefactor se encienda. *Nota:* La manguera puede estar llena de aire. De ser así, mantenga el botón de la válvula presionado y deje que transcurran 20 segundos antes de volver a presionar el encendedor. Cuando se encienda el calefactor, mantenga presionado el botón de la válvula. Suelte el botón al cabo de 30 segundos.



Modelo 5070A751 ilustrado

Modelo 5075A

Oprima y mantenga presionado el botón de la válvula automática. **NOTA:** La manguera puede estar llena de aire. De ser así, mantenga el botón de la válvula presionado. Cuando se encienda el calefactor, mantenga presionado el botón de la válvula automática. Suelte el botón al cabo de 30 segundos.



7. Si el calefactor se apaga, repita el paso 6.
8. Ajuste la válvula del quemador al nivel de calor deseado. (Modelo 5075A751 solamente)

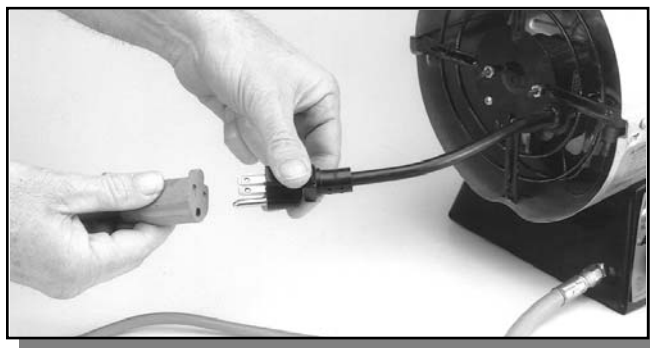
Continúa

Para apagar el calefactor

1. Cierre completamente la válvula del tanque(s).



2. Deje que transcurran unos cuantos segundos. El calefactor quemará el gas que haya quedado en la manguera.
3. Desconecte el calefactor.



⚠ ADVERTENCIA

Desconecte el calefactor del tanque(s) de gas propano antes de guardarlo.

1. Guarde el tanque(s) de manera segura. Consulte el Capítulo 5 de la Norma estándar para el almacenamiento y manipuleo de gas de petróleo licuado (*Standard for Storage and Handling of Liquefied Petroleum Gas*) ANSI/NFPA 58. Siga todas las indicaciones de los códigos locales.
2. Coloque los casquillos de plástico sobre los acoplamientos de bronce en la conexión de entrada y en el conjunto regulador/manguera del calefactor.
3. Guarde el calefactor en un lugar seco, limpio y seguro.

⚠ ADVERTENCIA

Nunca intente dar servicio al calefactor mientras esté conectado al suministro de gas propano, funcionando o caliente. Pueden ocasionarse quemaduras graves y descargas eléctricas.

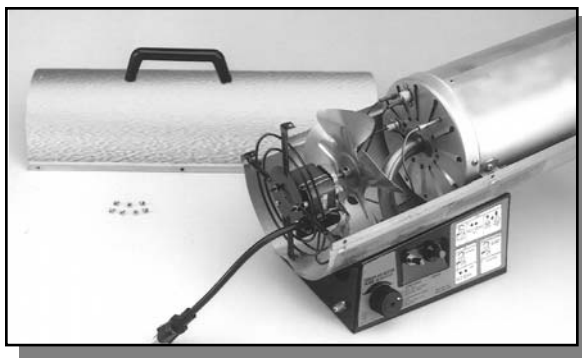
1. Mantenga limpio el calefactor. Limpie el calefactor una vez por año, o según sea necesario, para quitarle el polvo y la suciedad. Si el calefactor está sucio o tiene polvo, límpielo con un paño húmedo.
2. Inspeccione el calefactor antes de cada uso. Revise las conexiones por evidencia de fugas. Aplique una mezcla de jabón líquido y agua a las conexiones. La formación de burbujas indica que hay una fuga. Repare todas las fugas antes de usar la unidad.
3. Inspeccione el conjunto regulador/manguera antes de cada uso. Reemplace las mangueras que evidencien desgaste excesivo, abrasión o cortaduras. Inspeccione el aro "O" por daños. Reemplácelo si está cortado o fisurado.
4. Haga que un técnico especializado inspeccione anualmente el calefactor.
5. Mantenga el interior del calefactor sin combustible ni objetos extraños.

6. **VENTILADOR** - Límpielo cada 500 horas de operación, o según sea necesario.

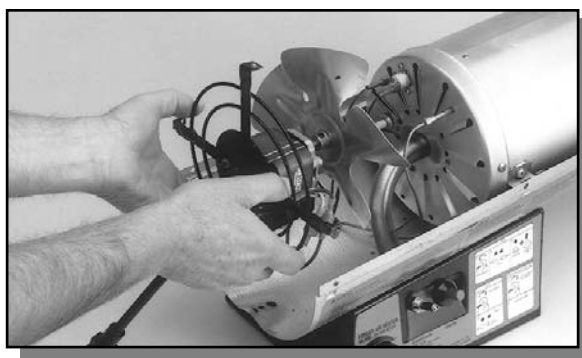
- A. Quite los tornillos colocados a cada lado del calefactor y en la parte superior del protector de motor usando un destornillador Phillips. Estos tornillos sirven para unir la cubierta superior con la inferior.



- B. Levante y desprenda la cubierta superior.



- C. Levante y saque el conjunto motor/protector.



IMPORTANTE: No apoye el conjunto motor/protector sobre el ventilador ya que pueden dañarse las aspas del mismo.

- D. Limpie el ventilador con un paño suave, embebido en kerosene o solvente. Seque el ventilador completamente. Limpie la parte interior de la cubierta en el sitio adyacente a donde gira el ventilador.
E. Vuelva a colocar el conjunto motor/protector y la cubierta superior.

7. **ELECTRODO**

- A. Asegúrese de que la separación entre el cable del electrodo y la boquilla del quemador sea de 0.20 (0.5 cm) a 0.25" (0.6 cm). Logre acceso al electrodo desde la parte interior de la cámara de combustión. El electrodo no requiere ningún otro tipo de mantenimiento.

Continúa

⚠ ADVERTENCIA

Nunca intente dar servicio al calefactor mientras esté conectado al suministro de gas propano, funcionando o caliente. Pueden ocasionarse quemaduras graves y descargas eléctricas.

**LOCALIZACIÓN
DE AVERÍAS**

SÍNTOMA

CAUSA PROBABLE

SOLUCIÓN

El ventilador no gira cuando el calefactor está conectado.

No llega energía eléctrica al calefactor.

Verifique el voltaje del tomacorriente eléctrico. Si el voltaje es el correcto, verifique que el cordón eléctrico del calefactor no esté cortado.

Aspas del ventilador dobladas.

Reemplace el ventilador. Consulte la sección *Cómo reemplazar el ventilador* en la página 41.

Motor defectuoso.

Reemplace el motor. Consulte la sección *Cómo reemplazar el motor* en la página 40.

El calefactor no se enciende.

El usuario no siguió adecuadamente las instrucciones de preparación u operación.

Repita las instrucciones de las secciones preparación y operación. Consulte la sección *Preparación* en las páginas 34 y 35 y la sección *Operación* en las páginas 35, 36 y 37.

No hay chispa en el electrodo. Para probar la chispa siga el paso 9, bajo el título *Cómo reemplazar el electrodo*, en la página 41. Si ve chispa en el encendedor, haga que un técnico especializado revise la unidad. Si no se ve chispa esta condición puede ser causada por:

A) Cable del encendedor suelto o desconectado.

A) Revise el cable del encendedor. Ajuste o vuelva a conectar el cable. Consulte la página 33 para la localización del cable del encendedor

B) Separación de chispa incorrecta.

B) Ajuste la separación entre el electrodo y el blanco de la placa en 0.20" (0.5 cm).

C) Encendedor suelto tipo piezo.

C) Ajuste el encendedor tipo piezo a la base del calefactor.

D) Electrodo dañado.

D) Reemplace el electrodo. Consulte la sección *Cómo reemplazar el electrodo* en la página 41.

E) Encendedor tipo piezo dañado

E) Reemplace el encendedor.

F) Módulo electrónico dañado

F) Reemplace el módulo electrónico.

El calefactor interrumpe su funcionamiento.

La alta temperatura del aire circundante ocasiona que el dispositivo de límite térmico interrumpa el funcionamiento del calefactor.

Esto puede ocurrir cuando el calefactor funciona con temperaturas superiores a los 85°F (29°C). Haga que el calefactor funcione con temperaturas más bajas.

**⚠ ADVERTENCIA:
NO USE EL CALEFACTOR EN ÁREAS CON ALTO CONTENIDO DE POLVO.**

Flujo de aire restringido.

Revise la entrada y la salida del calefactor. Elimine cualquier obstrucción.

Ventilador dañado.

Reemplace el ventilador. Consulte la sección *Cómo reemplazar el ventilador* en la página 41.

Polvo o suciedad excesiva en el área circundante.

Limpie el calefactor. Consulte la sección *Mantenimiento* en las páginas 37 y 38.

ÍTEM

FRECUENCIA

CÓMO HACERLO

Ventilador

Límpielo cada 500 horas de operación, o según sea necesario.

Consulte la sección Ventilador en la página 38.

Electrodo

Límpielo y vuelva a calibrar la separación cada 500 horas de funcionamiento, o reemplácelo cuando sea necesario.

Consulte la sección Electrodo en la página 38.

SPANISH

**PROGRAMA DE
MANTENIMIENTO
PREVENTIVO**

Continúa

⚠ ADVERTENCIA

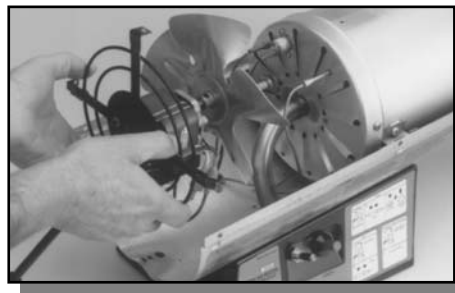
Nunca intente dar servicio al calefactor mientras esté conectado al suministro de gas propano, funcionando o caliente. Pueden ocasionarse quemaduras graves y descargas eléctricas.

CÓMO REEMPLAZAR EL MOTOR

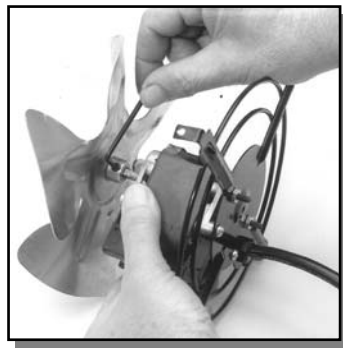
1. Quite la cubierta superior (Consulte la sección VENTILADOR en el capítulo de mantenimiento).



2. Levante el conjunto motor/protector para quitarlo.



3. Use una llave hexagonal de 1/8" para aflojar el tornillo de ajuste que sujeta el ventilador al eje del motor.



4. Quite el ventilador del eje del motor (puede que sea necesario hacer palanca para sacar el ventilador del eje) cuidando de no dañar las aspas.
5. Quite el tornillo del terminal a tierra y dos terminales del motor.
6. Quite las dos tuercas y los dos tornillos que fijan el motor al protector.
7. Deseche el motor.
8. Fije el motor nuevo al protector con los dos tornillos y las dos tuercas.
9. Vuelva a colocar el ventilador en el eje haciendo que aproximadamente 3/8" (1 cm) del eje se vea a través del cubo del ventilador.
10. Ajuste firmemente el tornillo de ajuste (de 40 a 50 lb. pulg.)
11. Conecte el terminal a tierra y los terminales al motor.
12. Coloque el conjunto motor/protector en la cubierta inferior. Haga girar el ventilador para verificar que no haya interferencia con ninguna pieza.
13. Coloque la cubierta superior.

Continúa

CÓMO REEMPLAZAR EL VENTILADOR

1. Quite el conjunto motor/protector (siga los pasos 1 al 4 antes indicados).
2. Quite la marca del tornillo de ajuste del eje del motor usando una lima.
3. Reemplace el ventilador (siga los pasos 9 al 13 antes indicados).

CÓMO REEMPLAZAR EL ELECTRODO

1. Quite la cubierta y el conjunto motor/protector (consulte la sección VENTILADOR en el capítulo de mantenimiento).
2. Quite el cable del electrodo.
3. Quite el tornillo que sostiene el electrodo con el difusor.
4. Quite el electrodo del difusor.
5. Coloque el electrodo nuevo en el difusor.
6. Coloque el tornillo y asegúrese de que la separación sea de 0.20 (0.5 cm) a 0.25 (0.6 cm) pulg.
7. Empuje el cable del encendedor en el cable del electrodo.
8. Vuelva a colocar el conjunto motor/protector y la cubierta superior.
9. En el Modelo 5070A, empuje el botón del encendedor y verifique la chispa entre el deflector y el electrodo. En los Modelo 5075A verifique la chispa entre el deflector y el electrodo después de conectarlos al suministro eléctrico. **No conecte el suministro de gas propano.**

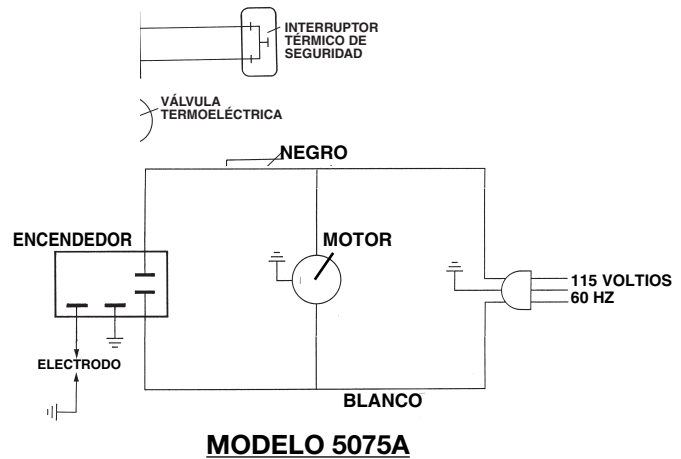
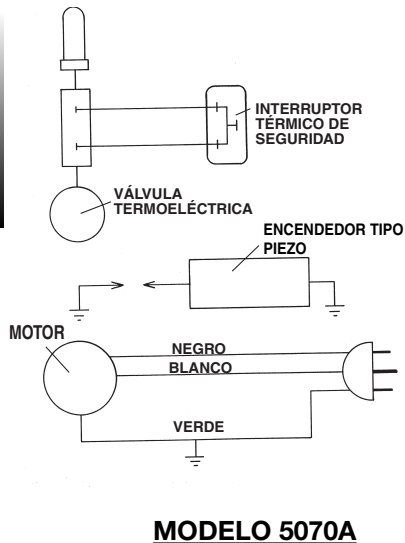
ESPECIFICACIONES DEL CALEFACTOR
A GAS PROPANO CON VENTILACIÓN FORZADA
MODELO 5070A DE 40,000 BTU/H.

Régimen de entrada (BTU/H.)	40,000
Combustible	Sólo vapor de propano
Consumo de combustible	
Galones/Hora	0.44 (1.7 L)
Libras/Hora	1.8 (0.8 kg)
Presión de salida del regulador	10 PSI (70 kPa)
Manguera	10 pies (3 m)
Salida de aire caliente (CFM aprox.)	(150 p ³) 4.2 m ³
Motor	3,000 RPM
Energía eléctrica necesaria	120 Vol./60 Hz
Amperios	1.1
Encendido	Manual/Piezo
Peso (en libras)	14 (6.4 kg)
Tamaño (Al./An./L.)	14"x 8.5"x 16.5" (35.6 x 21.6 x 41.9 cm)
Régimen de temperatura de funcionamiento	-10°F a 85°F (-23° a 29.4°C)

ESPECIFICACIONES DEL CALEFACTOR
A GAS PROPANO CON VENTILACIÓN FORZADA
MODELO 5075A DE 50,000 A 80,000 BTU/H.

Régimen de entrada (BTU/H.)	80,000 Máx
Combustible	Sólo vapor de propano
Consumo de combustible	
Galones/Hora	0.9 (3.4 L)
Libras/Hora	3.7 (1.7 kg)
Presión de salida del regulador	10 PSI (70 kPa)
Manguera	10 pies (3 m)
Salida de aire caliente (CFM aprox.)	300 p ³ (8.5 m ³)
Motor	3,000 RPM
Energía eléctrica necesaria	120 Vol./60 Hz
Amperios	2.6
Encendido	Módulo electrónico
Peso (en libras)	17 (7.7kg)
Tamaño (Al./An./L.)	14"x 8.5"x 22.5" (35.6 x 21.6 x 57.2 cm)
Régimen de temperatura de funcionamiento	-10°F a 85°F (-23° a 29.4°C)

DIAGRAMA DE CONEXIONES



REPUESTOS

⚠ ADVERTENCIA

Use sólo repuestos originales. No los sustituya ni use repuestos genericos. El uso de repuestos inadecuados puede ocasionar lesiones graves o fatales.

No. No. de Pieza

Descripción

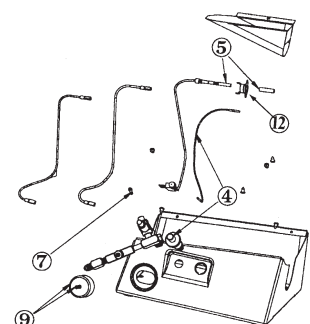
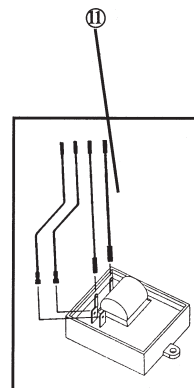
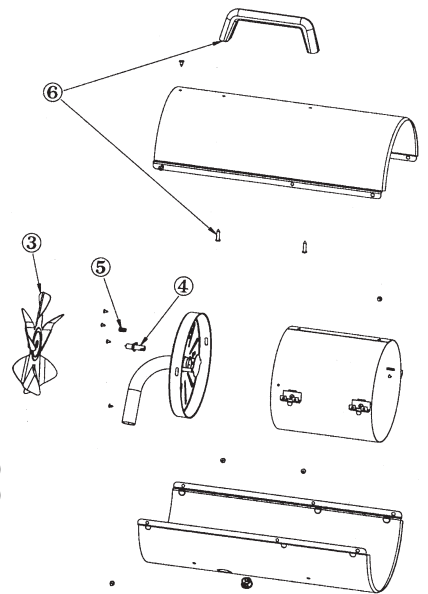
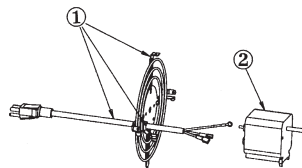
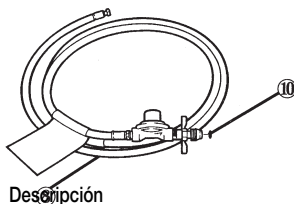
No.

No. de Pieza

Descripción

1	5070-2851	Conjunto protector y conexión en espiral
2	5070-2801	Motor (Modelo 5070A)
	5075-2801	Motor (Modelo 5075A)
3	5070-2891	Aspa del ventilador para el calefactor (Modelo 5070A)
	5075-2891	Aspa del ventilador para el calefactor (Modelo 5075A)
4	5070-3111	Encendio electrónico (Modelo 5070A)
5	5070-3271	Termopar y presilla
	5075-3271	Termopar, presilla y separador
6	5070-2001	Asa y tornillos
7	5070-2181	Boquilla de gas (Modelo 5070A)
	5075-2181	Boquilla de gas (Modelo 5075A)
8	5080-5651	Regulador y manguera
9	5080-1491	Perilla y tornillo (Modelo 5075A)
10	5410A1381	Aro O
11	5075B3001	Módulo E.I.* (Modelo 5075A)
12	5070A2701	Termostato

* Utilizado en calefactores fabricados después de agosto 2002.



Limited One Year Warranty

The Coleman Company, Inc. ("Coleman") warrants that for a period of one year from the date of original retail purchase, this product will be free from defects in material and workmanship. Coleman, at its option, will repair or replace this product or any component of the product found to be defective during the warranty period. Replacement will be made with a new or remanufactured product or component. If the product is no longer available, replacement may be made with a similar product of equal or greater value. This is your exclusive warranty.

This warranty is valid for the original retail purchaser from the date of initial retail purchase and is not transferable. Keep the original sales receipt. Proof of purchase is required to obtain warranty performance. Coleman dealers, service centers, or retail stores selling Coleman® products do not have the right to alter, modify or in any way change the terms and conditions of this warranty.

What This Warranty Does Not Cover

This warranty does not cover normal wear of parts, parts that are not genuine Coleman® parts, or damage resulting from any of the following: negligent use or misuse of the product; use on improper voltage or current; commercial use of the product; use contrary to the operating instructions; disassembly, repair or alteration by anyone other than Coleman or an authorized service center. Further, the warranty does not cover Acts of God, such as fire, flood, hurricanes and tornadoes. Warranty void if damage to product results from the use of a part other than a genuine Coleman® part.

COLEMAN SHALL NOT BE LIABLE FOR DEFECTS THAT ARE CAUSED BY THE USE OF UNAUTHORIZED PARTS OR SERVICE. COLEMAN SHALL NOT BE LIABLE FOR ANY INCIDENTAL OR CONSEQUENTIAL DAMAGES CAUSED BY THE BREACH OF ANY EXPRESS OR IMPLIED WARRANTY OR CONDITIONS. EXCEPT TO THE EXTENT PROHIBITED BY APPLICABLE LAW, ANY IMPLIED WARRANTY OF MERCHANTABILITY OR FITNESS FOR A PARTICULAR PURPOSE IS LIMITED IN DURATION TO THE DURATION OF THE ABOVE WARRANTY OR CONDITIONS. SOME STATES, PROVINCES, OR JURISDICTIONS DO NOT ALLOW THE EXCLUSION OR LIMITATION OF INCIDENTAL OR CONSEQUENTIAL DAMAGES OR LIMITATIONS ON HOW LONG AN IMPLIED WARRANTY LASTS, SO THE ABOVE LIMITATIONS OR EXCLUSION MAY NOT APPLY TO YOU. THIS WARRANTY GIVES YOU SPECIFIC LEGAL RIGHTS, AND YOU MAY ALSO HAVE OTHER RIGHTS THAT VARY FROM STATE TO STATE OR PROVINCE TO PROVINCE.

How to Obtain Warranty Service

Take the product to an authorized Coleman service center. You can find the nearest authorized Coleman service center by visiting www.coleman.com or calling 1-800-835-3278 or TDD 316-832-8707 in the United States or 1 800 387-6161 in Canada. If a service center is not conveniently located, attach to the product a tag that includes your name, address, daytime telephone number and description of the problem. Include a copy of the original sales receipt. Carefully package the product and send either by **courier or insured mail** with shipping and insurance prepaid to:

For products purchased in the United States:

The Coleman Company, Inc.
3600 North Hydraulic
Wichita, KS 67219

For products purchased in Canada:

Sunbeam Corporation (Canada) Limited
DBA Jarden Consumer Solutions
5975 Falbourne Street
Mississauga, Ontario
Canada L5R 3V8

The costs of transporting the product to Coleman or an authorized service center for warranty service is the responsibility of the purchaser.

Do not mail products with fuel in tanks, or with disposable propane cylinders. Remove glass globes from lanterns and wrap separately.

DO NOT RETURN THIS PRODUCT TO THE PLACE OF PURCHASE.

If you have any questions regarding this warranty please call 1-800-835-3278 or TDD 316-832-8707 in the United States or 1 800 387-6161 in Canada.

Garantie limitée de un an

The Coleman Company, Inc. (« Coleman ») garantit cet article contre tout vice de matériau et de fabrication pendant une période de un (1) an à compter de la date de l'achat. Coleman se réserve le droit de choisir entre réparer ou remplacer cet article ou toute pièce de celui-ci dont la défectuosité a été constatée au cours de la période de garantie. Le remplacement se fera au moyen d'un produit neuf ou remanufacturé ou bien d'une pièce neuve ou remanufacturée. Si l'article n'est plus disponible, il sera remplacé par un article semblable, de valeur égale ou supérieure. La présente constitue votre garantie exclusive.

Cette garantie n'est valable que pour l'acheteur au détail original à partir de la date de l'achat au détail initial et elle n'est pas transférable. Veuillez conserver le reçu d'achat original. La preuve d'achat est exigée pour tout service couvert par la garantie. Les concessionnaires Coleman, les centres de service et les détaillants qui vendent des articles Coleman® n'ont pas le droit d'altérer, de modifier ou de changer d'une manière quelconque les modalités de cette garantie.

Ce que ne couvre pas cette garantie

Cette garantie ne couvre pas l'usure normale des pièces, les pièces autres que les pièces authentiques Coleman® ou l'endommagement attribuable à toute raison suivante : à la négligence, à l'utilisation abusive du produit, au branchement sur un circuit de tension ou courant inapproprié, à l'utilisation commerciale du produit, au non-respect du mode d'emploi, au démontage et à la réparation ou à l'altération par quiconque, sauf Coleman ou un centre de service agréé Coleman. Cette garantie ne couvre pas non plus les cas de force majeure comme incendies, inondations, ouragans et tornades. La garantie est automatiquement annulée si l'endommagement du produit découle de l'utilisation d'une pièce autre qu'une pièce de marque Coleman®.

COLEMAN N'ASSUME AUCUNE RESPONSABILITÉ POUR LES VICES RÉSULTANT DE L'EMPLOI DE PIÈCES NON AUTORISÉES OU DE RÉPARATIONS EXÉCUTÉES PAR UN PERSONNEL NON AUTORISÉ. COLEMAN DÉCLINE TOUTE RESPONSABILITÉ EN CAS DE DOMMAGES ACCESSOIRES OU INDIRECTS RÉSULTANT DU NON-RESPECT DE TOUTE GARANTIE OU CONDITION EXPLICITE OU IMPLICITE. SAUF DANS LA MESURE INTERDITE PAR LA LÉGISLATION PERTINENTE, TOUTE GARANTIE IMPLICITE DE QUALITÉ COMMERCIALE OU D'APPLICATION À UN USAGE PARTICULIER EST LIMITÉE À LA DURÉE DE LA GARANTIE OU CONDITION CI-DESSUS. CERTAINS ÉTATS ET CERTAINES PROVINCES OU JURISDICTIONS INTERDISSENT D'EXCLURE OU DE LIMITER LES DOMMAGES ACCESSOIRES OU INDIRECTS, OU NE PERMETTENT PAS LA LIMITATION DE LA DURÉE D'APPLICATION DE LA GARANTIE IMPLICITE, DE SORTE QUE VOUS POUVEZ NE PAS ÊTRE ASSUJETTIS AUX LIMITES OU EXCLUSIONS ÉNONCÉES CI-DESSUS. CETTE GARANTIE VOUS CONFÈRE DES DROITS JURIDIQUES PRÉCIS ET VOUS POUVEZ AVOIR D'AUTRES DROITS, CES DROITS VARIANT D'UN ÉTAT OU D'UNE PROVINCE À L'AUTRE.

Comment obtenir le service prévu par la garantie

Aportez l'article à un Centre de service agréé Coleman. Pour obtenir l'adresse du plus proche centre de service agréé Coleman, visitez le www.colemancanada.ca ou bien composez le 1 800 835-3278 ou le ATS 316-832-8707 aux États-Unis, le 1 800 387-6161 au Canada. S'il n'y a pas de centre de service facile d'accès, fixez une étiquette sur l'article précisant vos nom, adresse, numéro de téléphone le jour et la description de la défectuosité. Veuillez inclure une copie du reçu d'achat original. Emballez soigneusement le produit et envoyez le colis en port et **assurance payés**, par messagerie ou autre service, **avec valeur déclarée**, à l'une des adresses suivantes :

Produits achetés aux États-Unis:

The Coleman Company, Inc.
3600 North Hydraulic
Wichita, KS 67219

Produits achetés au Canada:

Sunbeam Corporation (Canada) Limited
DBA Jarden Consumer Solutions
5975 Falbourne Street
Mississauga (Ontario)
Canada L5R 3V8

Les frais de transport du produit à Coleman ou à un centre de service agréé, en vue de la réparation sous garantie du produit, incombent à l'acheteur.

N'envoyez pas de produits dont le réservoir contient du carburant ou bien auxquels soit fixée une bouteille jetable de propane. Retirez le globe en verre des lanternes et emballez-le séparément.

NE RETOURNEZ PAS CE PRODUIT AU LIEU D'ACHAT.

Si vous avez toute question quant à cette garantie, veuillez composer le 1 800 835-3278 ou le ATS 316-832-8707 aux États-Unis, et le 1 800 387-6161 au Canada.

Garantía Limitada de Un Año

The Coleman Company, Inc. ("Coleman") garantiza que por el periodo de un año a partir de la fecha original de compra, este producto estará libre de defectos en material y construcción. Coleman, a su discreción, reparará o reemplazará este producto o cualquier componente del producto que esté defectuoso durante el periodo de la garantía. Cualquier reemplazo será hecho con un producto o componente nuevo o refabricado. Si el producto no se encuentra disponible, el reemplazo se podrá hacer con un producto similar de igual o mayor valor. Esta es su garantía exclusiva.

Esta garantía es válida para el comprador original desde la fecha de la compra inicial y no es transferible. Guarde su recibo de compra. Prueba de recibo de compra es requerido para obtener ejecución de la garantía. Los comerciantes de Coleman, centros de servicio o las tiendas al por menor que venden artículos Coleman® no tienen el derecho de alterar, modificar o cambiar de ninguna otra manera los términos y condiciones de esta garantía.

Lo Que Esta Garantía No Cubre

Esta garantía no cubre el desgaste normal de las piezas, piezas que no sean genuinas de Coleman® ni daño resultante por las siguientes causas; uso negligente o uso incorrecto del producto; uso con voltaje o corriente no apropiado, uso comercial de este producto, uso contrario a las instrucciones de operación, desmontaje, reparación o alteración por cualquiera que no sea Coleman® o un centro de servicio autorizado. Además, la garantía no cubre Fuerzas Naturales tales como son fuego, inundaciones, huracanes y tornados. La garantía no es válida si el daño al producto es un resultado del uso de piezas que no sean piezas genuinas Coleman®.

COLEMAN NO SERA PESPONSABLE POR DEFECTOS CAUSADOS POR EL USO DE PIEZAS O SERVICIO NO AUTORIZADO. COLEMAN NO SERA RESPONSABLE POR NINGÚN DAÑO INCIDENTAL O CONSIGUIENTE OCASIONADO POR LA VIOLACIÓN DE CUALQUIER GARANTÍA O CONDICIÓN IMPLICADA O EXPRESADA. CON EXCEPCIÓN AL LIMITE DE LO QUE PROVEE LA LEY APLICABLE, CUALQUIER GARANTÍA IMPLICADA DE COMERCIO O ADAPTACIÓN PARA UN USO EN PARTICULAR ES LIMITADA EN SU DURACIÓN A LA DURACIÓN DE LA GARANTÍA ARRIBA MENCIONADA. ALGUNOS ESTADOS, PROVINCIAS O JURISDICCIONES NO PERMITEN LA EXCLUSIÓN O LIMITACIÓN DE DAÑOS INCIDENTALES O CONSIGUIENTES O LIMITACIONES REFERENTE A CUÁNTO UNA GARANTÍA LIMITADA DEBE DURAR, POR LO TANTO LAS LIMITACIONES O EXCLUSIONES ARRIBA MENCIONADAS PUEDE QUE NO SEAN APLICABLES A USTED. ESTA GARANTÍA LE PROVEE DERECHOS LEGALES EXPECIFICOS, Y ADEMÁS PUEDE QUE USTED TENGA OTROS DERECHOS QUE VARIAN DE ESTADO A ESTADO O DE PROVINCIA A PROVINCIA.

Como Obtener Servicio de Garantía

Lleve el producto a un centro de servicio Coleman autorizado. Usted puede encontrar el centro de servicio Coleman autorizado más cercano visitando nuestro lugar web en www.coleman.com o llamando al 1-800-835-3278 ó al TDD 316-832-8707 en los Estrados Unidos ó al 1 800 387-6161 en Canadá. Si no encuentra un centro de servicio convenientemente localizado, adhiera una etiqueta al producto que incluya su nombre, dirección, número de teléfono y una descripción del problema. Incluya una copia del recibo de compra original. Empaquete cuidadosamente el producto y envíelo ya sea por servicio de entrega o por correo **asegurado** con el franqueo y el **seguro** pagado por anticipado a:

Para productos comprados en los Estados Unidos:

The Coleman Company, Inc.
3600 North Hydraulic
Wichita, KS 67219

Para productos comprados en Canada:

Sunbeam Corporation (Canada) Limited
DBA Jarden Consumer Solutions
5975 Falbourne Street
Mississauga, Ontario
Canada L5R 3V8

Los gastos de transporte del producto a Coleman o a un centro de servicio autorizado para servicio de garantía son la responsabilidad del comprador.

No envíe productos con combustible en los tanques, o con cilindros de propano desechables. Quite los globos de cristal de las lanternas y envuélvalos por separado.


NO DEVUELVA ESTE PRODUCTO AL LUGAR DONDE LO COMPRÓ.


Si usted tiene alguna pregunta sobre esta garantía favor de llamar al 1-800-835-3278 o al TDD 316-832-8707 en los Estados Unidos o al 1 800 387-6161 en Canadá.


If you have questions, contact Coleman at: 1-800-835-3278 or TDD: 316-832-8707.
In Canada call 1 800 387-6161.

Des questions? Entrez en rapport avec Coleman en composant le 1 800 835-3278 ou le
316-832-8707 aux États-Unis, ou bien le 1 800 387-6161 au Canada.

Si tiene alguna duda, comuníquese con Coleman al 1-800-835-3278 o a la línea para per-
sonas con dificultad auditiva 316-832-8707. En Canadá llame al 1 800 387-6161.

© 2006 The Coleman Company, Inc. All rights reserved. Coleman® and 
are registered trademarks of The Coleman Company, Inc.

© 2006 The Coleman Company, Inc. Tous droits réservés. Coleman® et 
sont des marques déposées de The Coleman Company, Inc.

© 2006 The Coleman Company, Inc. Todos los derechos reservados. Coleman® y 
son marcas registradas de The Coleman Company, Inc.

www.coleman.com

The Coleman Company, Inc.
3600 N. Hydraulic
Wichita, KS 67219 U.S.A.
1-800-835-3278
TDD: 316-832-8707

Sunbeam Corporation (Canada) Limited
DBA Jarden Consumer Solutions
5975 Falbourne Street
Mississauga, Ontario
CANADA L5R 3V8
1 800 387-6161

Free Manuals Download Website

<http://myh66.com>

<http://usermanuals.us>

<http://www.somanuals.com>

<http://www.4manuals.cc>

<http://www.manual-lib.com>

<http://www.404manual.com>

<http://www.luxmanual.com>

<http://aubethermostatmanual.com>

Golf course search by state

<http://golfingnear.com>

Email search by domain

<http://emailbydomain.com>

Auto manuals search

<http://auto.somanuals.com>

TV manuals search

<http://tv.somanuals.com>