



WARNING:

THIS APPLIANCE CONSUMES OXYGEN. PROVIDE AMPLE VENTILATION UTILIZING AT LEAST TWO OPENINGS, PREFERABLY ONE HIGH AND ONE LOW ON OPPOSITE WALLS.

PROVIDE ADDITIONAL VENTILATION FOR ANY ADDITIONAL FUEL BURNING APPLIANCES.

CAUTIONS:

1. Read these instructions thoroughly.
2. Do not remove or loosen fuel cap while tank is on the stove or near other heat source.
3. Never remove tank while stove is burning.
4. Store fuel in clean, properly marked container away from open flame or excessive heat.
5. Never allow tents, sleeping bags, clothing or other combustible material to come within three feet of the top and one foot on all sides of the stove.
6. Do not use any device not expressly approved by The Coleman Company, Inc.
7. **Keep out of the reach of children.**
8. Do not leave stove unattended while burning.

How To Use and Enjoy Your Coleman Fuel Camp Stove Model's 413G, 425E and 426D



Coleman FUEL...

DIFFERENT FROM "JUST ANY FUEL"!

CLEANER ... Quality checked for longer appliance life. Won't clog generators or wicks.

CONSISTENT ... Tested constantly to meet Coleman's rigid quality standards.

DEPENDABLE ... Will not sour or form gums even if stored for long periods.

CONVENIENT ... Available nationwide in handy, easy-to-store containers.

ECONOMICAL ... Eliminates repair costs resulting from fuel contamination.

All fuels are not the same. While Coleman lanterns and stoves will perform well with ordinary white gasoline, they will perform better, last longer and maintain greater efficiency with Coleman fuel. That's because Coleman fuel is specially blended for Coleman products and Coleman products are specially calibrated to burn Coleman fuel. Unlike ordinary fuels, the Coleman on-purpose brand guards against clogging and corrosion and other damaging effects with extra high purity and special additives. Rigid standards of quality and uniform purity for Coleman fuel guarantees better performance and longer life for your Coleman appliance. Remember... They're made for each other.

Coleman Limited 1 Year Warranty

This product is warranted to the retail consumer for one year from date of retail purchase against defects in material and workmanship and is transferable. If a Customer Information Card is enclosed, it is for market research purposes only and its return is optional.

WHAT IS COVERED: Replacement parts and labor. Transportation charges to Consumer for repaired Product.

WHAT IS NOT COVERED: Transportation charges to Coleman for defective Product. Damages caused by abuse or failure to perform normal maintenance — see owner's manual. Sales outside of the United States. Any other expense. **Consequential damages, incidental damages, or incidental expenses, including damage to property. Some states do not allow the exclusion or limitation of incidental or consequential damages, so the above limitation or exclusion may not apply to you.**

HOW TO OBTAIN WARRANTY PERFORMANCE: Locate nearest Coleman Service Center on list with Product or in phonebook. In California, call 714/523-0072, if no listing. Attach to Product your name, address, description of problem, phone number and proof of date of retail purchase (sales slip.) Package and return Product to Coleman Service Center, *transportation charges prepaid.*

IMPLIED WARRANTIES: *Any implied warranties, including the implied warranties of merchantability and fitness for a particular purpose, are limited in duration to one year from date of retail purchase. Some states do not allow limitations on how long an implied warranty lasts, so the above limitation may not apply to you.*

To the extent any provision of this warranty is prohibited by federal, state, or municipal law and cannot be preempted, it shall not be applicable. This warranty gives you specific legal rights, and you may also have other rights which vary from state to state.

THE COLEMAN COMPANY, INC. 445 N. Minnesota Wichita, Kansas 67214

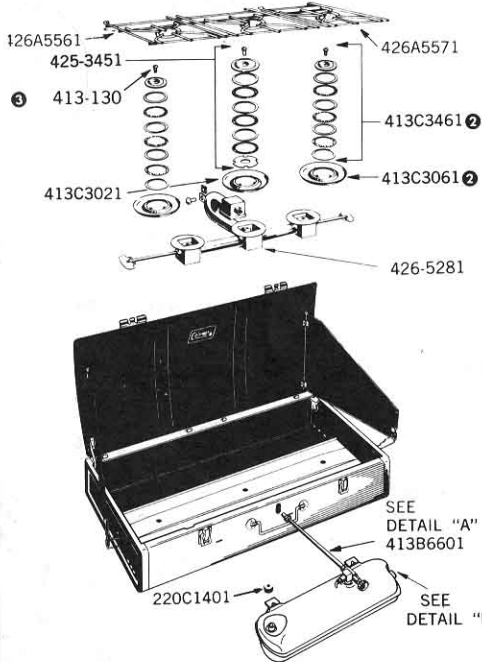
THE COLEMAN COMPANY, INC.

General Office and Factory: Wichita, Kansas U.S.A. 67201
Canadian Office and Factory: Toronto, Canada

1960A338 (12-76) P.I.

LITHO IN U.S.A.

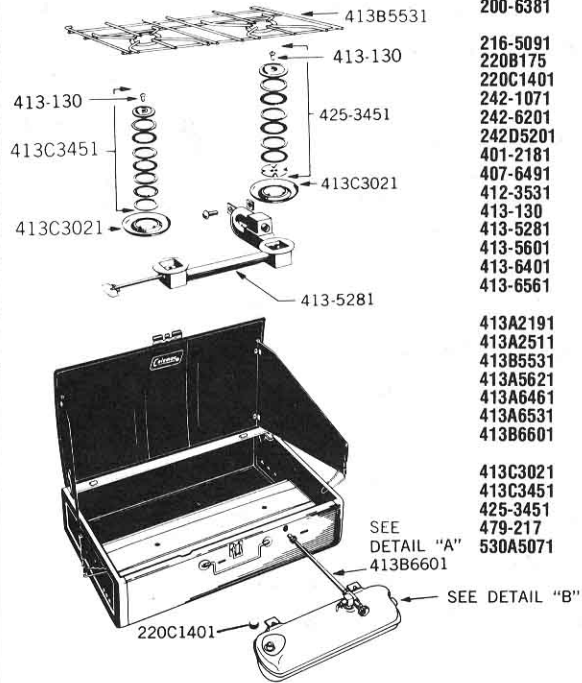
model 426D



PART NO.	DESCRIPTION
88242	Enamel, Fount Green
200-6381	Check Valve & Stem Ass'y
216-5091	Pump Cup
220B175	Self-Tapping Screw
220C1401	Filler Cap
242D5201	Pump Plunger Ass'y.
242-6201	Valve Stem Packing
401-2181	Gas Tip, Marked B
407-6491	Valve Wheel
412-3531	Lighter Stem Screw
413-130	Block and Needle Ass'y.
413-6401	Tank Complete
413-6561	Valve with Stem
413A2191	Generator Coil
413A2511	Needle Assembly
413A5621	Generator
413A6461	Tube Ass'y., Fuel & Air
413A6531	Stem Assembly
413B6601	Valve & Generator Complete
413C3021	Master Burner Bowl
413C3061	Auxiliary Burner Bowl
413C3461	Auxiliary Burner Cap & Fillers
425-3451	Master Burner Cap & Fillers
426-5281	Manifold Assembly
426A5561	Grate, Left
426A5571	Grate, Right
479-217	Tip Protector
530A5071	Pump Cap Clip

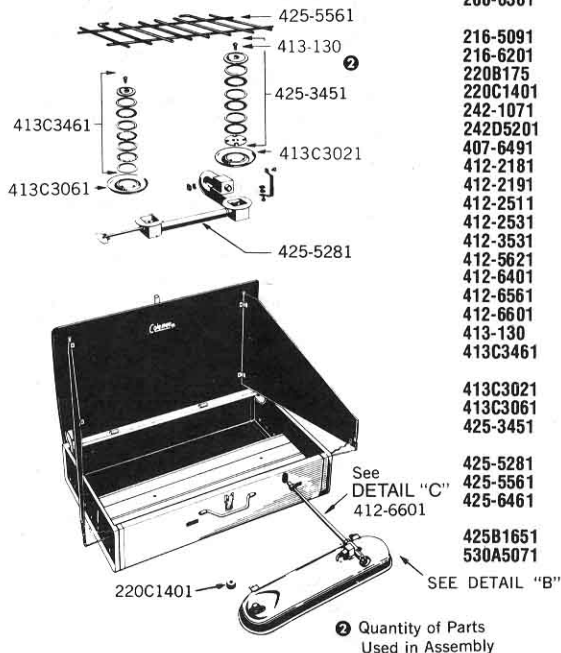
- ② Quantity of Parts Used in Assembly
- ③ Quantity of Parts Used in Assembly

model 413G



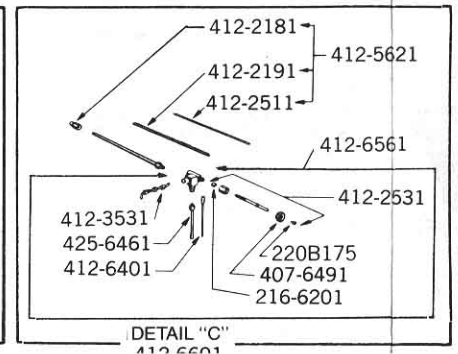
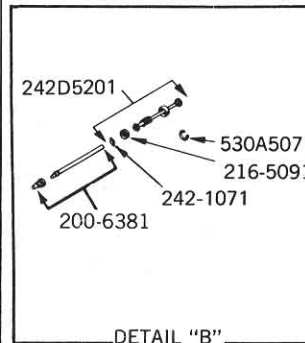
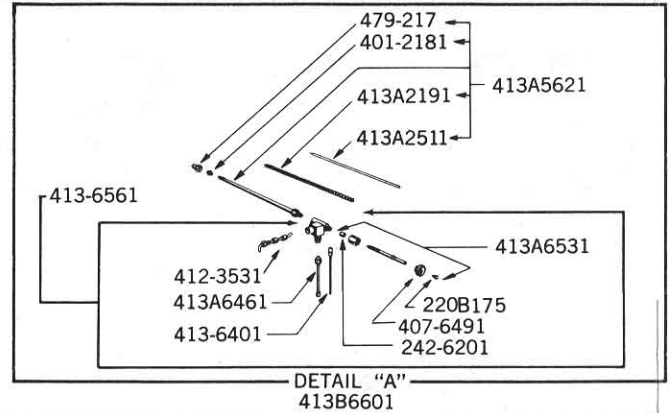
PART NO.	DESCRIPTION
88242	Enamel, Fount Green
200-6381	Check Valve & Stem Ass'y
216-5091	Pump Cup
220B175	Self-Tapping Screw
220C1401	Filler Cap
242-1071	Push-On Nut
242-6201	Packing (Valve Stem)
242D5201	Pump Plunger Ass'y
401-2181	Gas Tip (Marked B)
407-6491	Valve Wheel
412-3531	Stem (Lighter)
413-130	Screw
413-5281	Manifold Assembly
413-6501	Tank (Complete)
413-6401	Block & Needle Ass'y.
413-6561	Valve Body and Stem Complete
413A2191	Coil (Generator)
413A2511	Needle Assembly
413B5531	Grate
413A5621	Generator
413A6461	Tube Ass'y. (Fuel & Air)
413A6531	Stem Assembly
413B6601	Valve & Generator (Complete)
413C3021	Burner Bowl
413C3451	Cap and Fillers
425-3451	Cap and Fillers
479-217	Protector (Tip)
530A5071	Clip (Pump Cap)

model 425E



PART NO.	DESCRIPTION
88242	Enamel, Fount Green
200-6381	Check Valve & Stem Ass'y
216-5091	Pump Leather
216-6201	Valve Stem Packing
220B175	Self-Tapping Screw
220C1401	Filler Cap Complete
242-1071	Push-On Nut
242D5201	Pump Plunger Ass'y
407-6491	Valve Wheel
412-2181	Gas Tip
412-2191	Generator Coil
412-2511	Needle Assembly
412-2531	Stem Assembly
412-3531	Lighter Stem
412-5621	Generator
412-6401	Block and Needle Ass'y.
412-6561	Valve with Stem
412-6601	Valve and Generator
413-130	Screw
413C3461	Auxiliary Burner Cap and Fillers
413C3021	Master Burner Bowl
413C3061	Auxiliary Burner Bowl
425-3451	Master Burner Cap and Fillers
425-5281	Manifold Ass'y
425-5561	Grate
425-6461	Tube Assembly (Fuel and Air)
425B1651	Tank Complete
530A5071	Pump Cap Clip

- ② Quantity of Parts Used in Assembly





1 How To Use and Enjoy Your Coleman Fuel Camp Stove Model's 413G, 425E and 426D



WARNING:

THIS APPLIANCE CONSUMES OXYGEN. PROVIDE AMPLE VENTILATION UTILIZING AT LEAST TWO OPENINGS, PREFERABLY ONE HIGH AND ONE LOW ON OPPOSITE WALLS.

PROVIDE ADDITIONAL VENTILATION FOR ANY ADDITIONAL FUEL BURNING APPLIANCES.

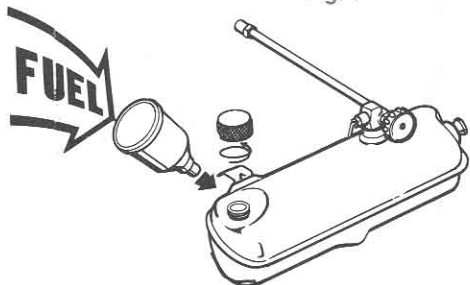
CAUTIONS:

1. Read these instructions thoroughly.
2. Do not remove or loosen fuel cap while tank is on the stove or near other heat source.
3. Never remove tank while stove is burning.
4. Store fuel in clean, properly marked container away from open flame or excessive heat.
5. Never allow tents, sleeping bags, clothing or other combustible material to come within three feet of the top and one foot on all sides of the stove.
6. Do not use any device not expressly approved by The Coleman Company, Inc.
7. **Keep out of the reach of children.**
8. Do not leave stove unattended while burning.

2 To Fill Tank

1. Close valve firmly by turning valve wheel to right. (Figure 4).
 2. Close pump by turning pump knob firmly to the right.
 3. Unscrew fuel cap (Figure 1).
 4. Place tank in level position. **Do not tip.** (Overfilling will cause stove to flood.)
 5. Use a funnel and fill with Coleman Fuel or clean white gas.
 6. Replace fuel cap. Tighten firmly to the right. **WIPE OFF ANY SPILLED FUEL**
- CAUTION:** Never remove or loosen fuel cap while tank is on stove or near other heat sources.

Fig. 1

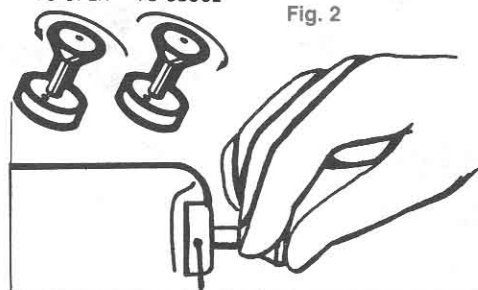


3 To Pump

1. Valve wheel and fuel cap must be closed firmly.
 2. **Test Pump.** With pump knob closed, place thumb over hole in knob and pump. If you feel little or no resistance, oil or replace pump leather. (See note below).
- NOTE:** Periodically add 3-4 drops of oil to oil hole in pump cover to keep pump leather soft and pliable. (See Step 8)
3. Now open pump knob one complete turn.
 4. With thumb over hole in pump knob, pump at least 35 full strokes. (If tank is not full, more strokes will be required.) **Good air pressure will improve performance.**
 5. Close pump knob firmly.

LEFT TO OPEN RIGHT TO CLOSE

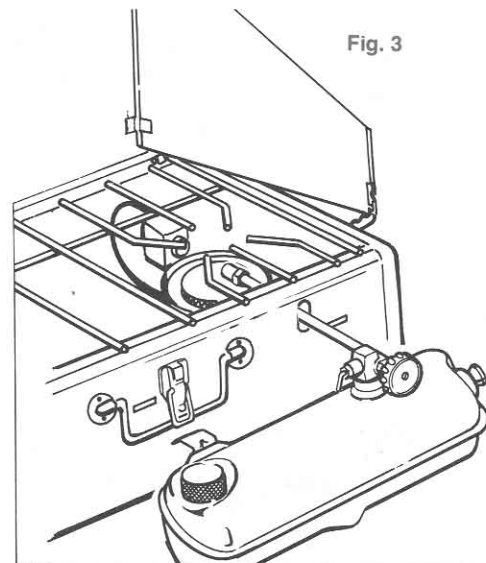
Fig. 2



4 To Install Tank

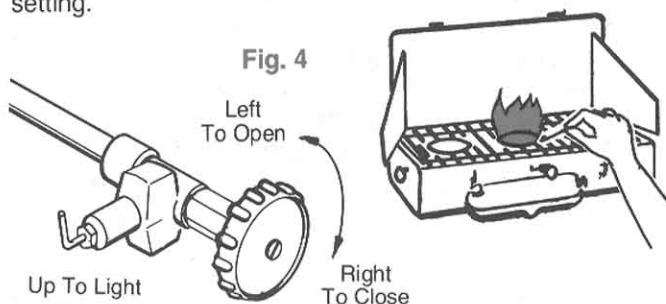
1. Insert generator into large hole on the front of the stove and into mixing chamber above burner.
2. Engage hanger brackets on tank into slots on the front of the stove.

Fig. 3



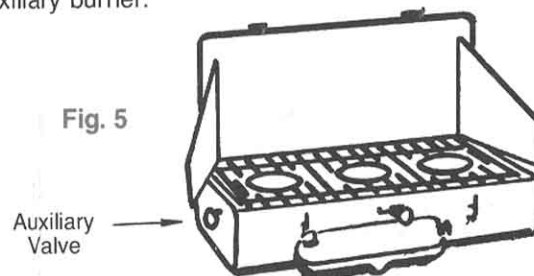
5 To Light Main Burner

1. Close auxiliary valve. (Figure 6).
 2. Turn instant light lever to "Up to Light" position. (Figure 4).
 3. Holding lighted match over main Band-a-Blu™ burner, turn valve wheel to the left UNTIL VALVE IS COMPLETELY OPEN and light burner.
- NOTE:** Fuel deposits in tank may clog valve. To clear, rotate valve wheel from open to close position several times.
4. When flame turns blue (approximately one minute) turn instant light lever to "Down to Burn" position.
- NOTE:** A persistent orange flame indicates flooding. Close valve wheel firmly and allow flame to burn out. Repeat lighting instructions above.
5. Open pump knob (Figure 2) and pump additional pressure into tank to obtain strongest flame. (See Step 3.)
- NOTE:** Air pressure may be added while stove is burning. Do not remove tank from stove.
6. Close pump knob and adjust valve wheel to desired heat setting.



6 To Light Auxiliary Burner(s)

1. After the main burner has been lighted, the auxiliary Band-A-Blu™ Burner(s) may be used.
2. Holding a lighted match over an auxiliary Band-A-Blu™ Burner, open the auxiliary valve located on the side of the stove next to the burner. Light burner.
3. For stoves with 3 burners, repeat 1 and 2 above to light 2nd auxiliary burner.



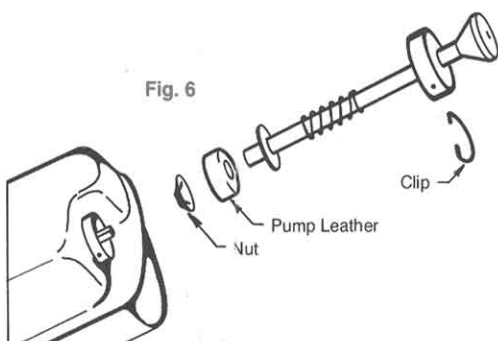
7 To Shut Off Burners

1. First, close auxiliary burner(s) by turning auxiliary valve(s) to the right.
 2. Turn instant-light lever to "Up to Light" position (Figure 4) and let burn for one minute. (Clears generator of heavier fuel.)
 3. Turn valve wheel firmly to the right to shut off main burner.
- NOTE:** Small flame will linger on main burner for a few minutes until fuel empties from generator.

8 Replacing The Pump Leather

If pump offers little or no resistance during test pump (See Step 3) and a few drops of oil does not correct the problem, replace the pump leather.

1. Empty fuel tank
2. Remove clip from pump handle.
3. Pull out plunger assembly.
4. Using a screw driver, push nut off the end of the plunger assembly.
5. Replace pump leather.
6. Push nut on to plunger assembly.
7. Work several drops of oil into new pump leather.
8. Re-insert pump assembly in tank carefully. (Pump cap must not invert or fold - See illustration).
9. Replace clip and add two drops of oil through hole in pump assembly cover.



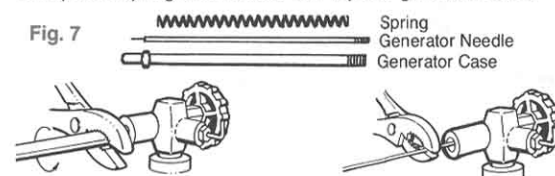
9 The Generator:

The generator vaporizes liquid fuel. After extended use, carbon deposits may build up in the generator causing the stove to lose efficiency. Replace the generator to restore heating efficiency.

NOTE: If a small orange flame develops at the generator hole above the main burner, use a wrench and tighten the tip protector on the end of the generator.

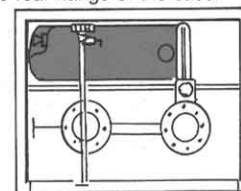
To Replace Generator

1. Remove tank from stove, remove fuel cap and empty fuel from tank into a suitable container.
2. Grasp the generator close to the valve body with pliers and unscrew generator case from valve body.
3. Remove case and spring and throw away.
4. Holding valve wheel in one hand, grasp the generator needle close to the valve body with pliers and unscrew the needle from valve.
5. Finger tighten new generator needle into valve body. Using pliers, tighten generator needle one quarter turn. **DO NOT OVERTIGHTEN.**
6. Slip new spring over needle and replace generator case.



10 To Pack Stove

Reverse the procedure followed in opening stove. The tank and generator assembly go in the left end of the stove as you face it, with the valve wheel fitted in under the rear flange of the case.



Coleman FUEL... DIFFERENT FROM "JUST ANY FUEL"!

CLEANER ... Quality checked for longer appliance life. Won't clog generators or wicks.
CONSISTENT ... Tested constantly to meet Coleman's rigid quality standards.
DEPENDABLE ... Will not sour or form gums even if stored for long periods.
CONVENIENT ... Available nationwide in handy, easy-to-store containers.
ECONOMICAL ... Eliminates repair costs resulting from fuel contamination.

Free Manuals Download Website

<http://myh66.com>

<http://usermanuals.us>

<http://www.somanuals.com>

<http://www.4manuals.cc>

<http://www.manual-lib.com>

<http://www.404manual.com>

<http://www.luxmanual.com>

<http://aubethermostatmanual.com>

Golf course search by state

<http://golfingnear.com>

Email search by domain

<http://emailbydomain.com>

Auto manuals search

<http://auto.somanuals.com>

TV manuals search

<http://tv.somanuals.com>