



Propane Stoves
Réchauds à propane
Estufas de gas Propano

Instructions for use
Notice d'emploi
Instrucciones de uso

© 2005 The Coleman Company, Inc.
www.coleman.com



5412A Series

Standard Ignition
Allumage standard
Encendido estándar



ANSI Z21.72b - CSA 11.2b (2002)
Camp Stove
Poêle de camping
Estufa de campamento

IMPORTANT

Read this manual carefully before assembling, using or servicing these stoves. Keep this manual for future reference. If you have questions about assembly, operation, servicing or repair of these stoves, please call Coleman at 1-800-835-3278 or TDD: 316-832-8707. In Canada call 1-800-387-6161.

IMPORTANT

Lisez attentivement ce manuel avant d'assembler, d'utiliser ou de réparer le réchaud et gardez-le pour référence ultérieure. Pour toute question en ce qui concerne l'assemblage, le fonctionnement, l'entretien ou la réparation, appelez Coleman au 1 800 835-3278 ou ATS 316-832-8707 aux États-Unis et au 1 800 387-6161 au Canada.

IMPORTANTE

Lea este manual cuidadosamente antes de ensamblar, usar o reparar esta estufa. Guarde este manual para uso de referencia en el futuro. Si tiene alguna pregunta acerca del ensamblaje, uso, compostura o reparaciones a la estufa, por favor llame a Coleman al 1-800-835-3278 o TDD: 316-832-8707. En Canada llame al 1-800-387-6161.

FOR YOUR SAFETY

If you smell gas:

1. Do not attempt to light appliance.
2. Extinguish any open flame.
3. Disconnect from fuel supply.

FOR YOUR SAFETY

Do not store or use gasoline or other liquids with flammable vapors in the vicinity of this or any other appliance.

⚠ DANGER



CARBON MONOXIDE HAZARD

- This appliance can produce carbon monoxide which has no odor.
- Using it in an enclosed space can kill you.
- Never use this appliance in an enclosed space such as a camper, tent, car or home.

This manual contains important information about the assembly, operation and maintenance of this outdoor propane appliance. General safety information is presented on this page and is also located throughout these instructions. Particular attention should be paid to information accompanied by the safety alert symbol "⚠ DANGER", "⚠ WARNING", "⚠ CAUTION".

Keep this manual for future reference and to educate new users of this product. This manual should be read in conjunction with the labeling on the product.

Safety precautions are essential when any mechanical or propane fueled equipment is involved. These precautions are necessary when using, storing, and servicing. Using this equipment with the respect and caution demanded will reduce the possibilities of personal injury or property damage.

The following symbols shown below are used extensively throughout these instructions. Always heed these precautions, as they are essential when using any mechanical or propane fueled equipment.

⚠ DANGER

DANGER indicates an imminently hazardous situation which, if not avoided, will result in death or serious injury.

⚠ WARNING

WARNING indicates a potentially hazardous situation which, if not avoided, could result in death or serious injury.

⚠ CAUTION

CAUTION indicates a potentially hazardous situation which, if not avoided, may result in minor or moderate personal injury, or property damage.

⚠ DANGER

Failure to comply with the precautions and instructions provided with these stoves can result in death, serious bodily injury and property loss or damage from hazards of fire, explosion, burn, asphyxiation, and/or carbon monoxide poisoning.

Only persons who can understand and follow the instructions should use or service these stoves.

If you need assistance or information such as an instruction manual or labels, contact The Coleman Company, Inc.

CALIFORNIA PROPOSITION 65:

WARNING: This fuel, and byproducts of combustion of this fuel, contain chemicals known to the state of California to cause cancer, birth defects, or other reproductive harm.

⚠ WARNING

- This product is fueled by propane gas. Propane gas is invisible, odorless, and flammable. An odorant is normally added to help detect leaks and can be described as a "rotten egg" smell. The odorant can fade over time so leaking gas is not always detectable by smell alone.
- Propane gas is heavier than air and leaking propane will sink to the lowest level possible. It can ignite by ignition sources including matches, lighters, sparks or open flames of any kind many feet away from the original leak. Use only propane gas set up for vapor withdrawal.
- Propane gas should be stored or used in compliance with local ordinances and codes or with ANSI/NFPA 58. Turn off propane when not in use.

⚠ DANGER



• EXPLOSION - FIRE HAZARD

- Never store propane near high heat, open flames, pilot lights, direct sunlight, other ignition sources or where temperatures exceed 120 degrees F (49°C).
- Propane is heavier than air and can accumulate in low places. If you smell gas, leave the area immediately.
- Never install or remove propane tank while outdoor stove is lighted, near flame, pilot lights, other ignition sources or while outdoor stove is hot to touch.
- During lighting and operation, this product can be a source of ignition. Never use the stove in spaces that contain or may contain volatile or airborne combustibles, or products such as gasoline, solvents, paint thinner, dust particles or unknown chemicals. Minimum clearances from combustible materials: 12 inches from the sides and 48 inches from the top.
- Provide adequate clearances around air openings into the combustion chamber.

⚠ WARNING

Not for home or recreational vehicle use.

We cannot foresee every use which may be made of our products.

Check with your local fire safety authority if you have questions about use.

Other standards govern the use of fuel gases and heat producing products for specific uses. Your local authorities can advise you about these.

- Never refill disposable cylinders.
- Use the preset regulator that came with the stove. Do not attempt to adjust.
- Use only Coleman[®] accessories or parts. During stove set-up, check all fittings for leaks using soapy water. Never use a flame.

⚠ WARNING



• BURN HAZARD

- Never leave stove unattended when hot or in use.
- Keep out of reach of children.

⚠ DANGER



• CARBON MONOXIDE HAZARD

- This stove is a combustion appliance. All combustion appliances produce carbon monoxide (CO) during the combustion process. This product is designed to produce extremely minute, non-hazardous amounts of CO if used and maintained in accordance with all warnings and instructions. Do not block air flow into or out of the stove.
- Carbon Monoxide (CO) poisoning produces flu-like symptoms, watery eyes, headaches, dizziness, fatigue and possibly death. You can't see it and you can't smell it. It's an invisible killer. If these symptoms are present during operation of this product **get fresh air immediately!**
- **For outdoor use only.**
- **Never use inside house, camper, tent, vehicle or other unventilated or enclosed areas. This stove consumes air (oxygen). Do not use in unventilated or enclosed areas to avoid endangering your life.**

⚠ CAUTION

• SERVICE SAFETY

- Keep all connections and fittings clean. Inspect propane cylinder and stove propane connections for damage before attaching.
- During set up, check all connections and fittings for leaks using soapy water. Never use a flame. Bubbles indicate a leak. Check that the connection is not cross-threaded and that it is tight. Perform another leak check. If there is still a leak, remove the cylinder and contact Coleman for service or repairs.
- Use as a cooking appliance only. Never alter in any way or use with any device or part not expressly approved by Coleman.
- Clean stove frequently to avoid grease accumulation and possible grease fires.

Technical Characteristics

Input: 10,000 BTU/H per burner
Category: Pressure regulated propane
Fuel: 16.4 oz. disposable propane cylinders
Regulator: 5431

To Set Up

⚠ DANGER



• CARBON MONOXIDE HAZARD

- For outdoor use only.
- Never use inside house, camper, tent, vehicle or other unventilated or enclosed areas. This stove consumes air (oxygen). Do not use in unventilated or enclosed areas to avoid endangering your life.

NOTE: Use Coleman 16.4 oz. disposable propane cylinders. The LP-gas cylinder(s) used with stoves must be constructed and marked in accordance with the specifications for LP-gas cylinders of the U.S. Department of Transportation or Transport Canada, CAN/CSA B339.

- Turn FUEL VALVE "off". (Fig. 1)

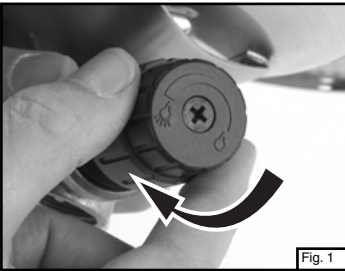


Fig. 1

⚠ CAUTION

• SERVICE SAFETY

- Keep all connections and fittings clean. Inspect propane cylinder and stove propane connections for damage before attaching.
- During set up, check all connections and fittings for leaks using soapy water. Bubbles indicate a leak. Never use a flame.

- Remove protective cap from top of propane cylinder. Save cap for use in storing.
- Screw propane cylinder into stove. Take care not to cross thread. HAND TIGHTEN only. (Fig. 2)



Fig. 2

- Place cylinder securely in stove base. (Fig. 3)



Fig. 3

- To support larger pots, fold out pot support extensions. (Fig. 4)

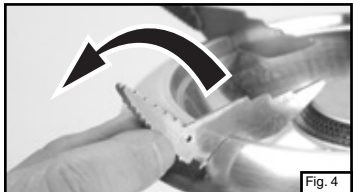


Fig. 4

Leak Check

⚠ WARNING

- Perform leak test outdoors.
- Extinguish all open flames.
- NEVER leak test when smoking.
- Do not use the outdoor stove until connection has been leak tested and does not leak.

To Light

⚠ DANGER



• EXPLOSION - FIRE HAZARD

- Propane is heavier than air and can accumulate in low places. If you smell gas, leave the area immediately.
- Always attach or detach propane source outdoors; never while stove is lighted, near flame, pilot lights, other ignition sources or while stove is hot to touch.
- This stove is red hot during use and can ignite flammables too close to the burners. Keep flammables at least 12 inches from the sides and 48 inches from the top of the stove. Keep gasoline and other flammable liquids and vapors well away from stove.
- The stove must not be exposed to flammable vapors or liquids during lighting.

⚠ WARNING



• BURN HAZARD

- Never leave stove unattended when hot or in use.
- Keep out of reach of children.

Match Light:

- Set on sturdy, flat surface. For outdoor use only.
- Hold lighted match at burner and open FUEL VALVE. (Fig. 5)



Fig. 5

- Adjust flame to desired heat with FUEL VALVE. (Fig. 6)
- Flame should be blue with hint of yellow on tips.

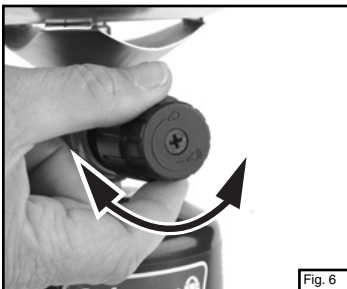


Fig. 6

To Turn Off

- Turn FUEL VALVE "off". (Fig. 7)



Fig. 7

To Clean

- Make sure stove is cool.
- Move stove away from flame (including pilot lights) and other ignition sources.
- Remove propane cylinder from stove. (Fig. 8)
- Replace protective cap on propane cylinder.



Fig. 8

• MAINTENANCE

- Keep stove area clear and free from combustible materials, gasoline and other flammable vapors and liquids.
- Do not obstruct the flow of combustion and ventilation air.
- A good flame should be blue with minimal yellow tip. Some yellow tips on flames are acceptable as long as no carbon or soot deposits appear.
- Wipe clean with soft cloth and mild dish detergent. Do not use abrasives.

To Store

⚠ DANGER



• EXPLOSION - FIRE HAZARD

- Never store propane near high heat, open flames, pilot lights, direct sunlight, other ignition sources or where temperatures exceed 120 degrees F (49°C).
- The cylinder must be disconnected when the stove is in storage.

Things You Should Know

1. It is unsafe and illegal in some places to store or use propane cylinders of greater than 1.14 kg (2.5 lbs) water capacity (approximately 1 lb. propane) in occupied enclosures.
2. The usual storage areas for camping and picnic equipment are the basement, attic, or garage. To avoid the accumulation of dust, cobwebs, etc., that is common in these areas, place your stove in a plastic bag and seal it with a rubber band.
3. For repair service call one of the numbers on the front cover for location of your nearest Coleman Service Center. If a service center is not conveniently located, attach to the product a tag that includes your name, address, daytime telephone number and description of the problem. Carefully package the product and send either by UPS or Parcel Post **insured** with shipping and **insurance** prepaid to:

For products purchased in the United States:

The Coleman Company, Inc.
3600 North Hydraulic
Wichita, KS 67219

For products purchased in Canada:

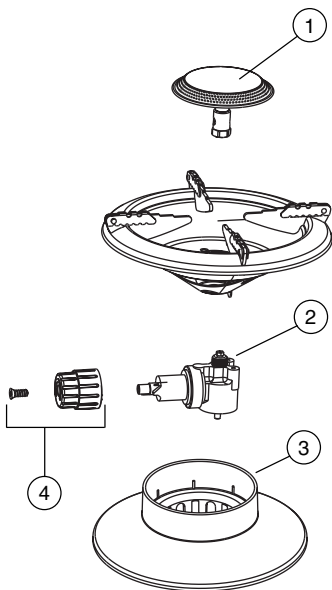
Sunbeam Corporation (Canada) Limited
5975 Falbourne Street
Mississauga, Ontario
Canada L5R 3V8

4. If not completely satisfied with the performance of this product, please call 1-800-835-3278 in the US or 1 800 387-6161 in Canada.

www.coleman.com

Parts List

No.	Part Number	Description
1	5431-1321	Burner Assy. (matchlight)
2	5431-5261	Regulator Assembly
3	R438C545C	Base
4	9950-1491	Knob Assembly



Warranty

Limited Five Year Warranty

The Coleman Company, Inc. ("Coleman") warrants that for a period of five years from the date of original retail purchase, this product will be free from defects in material and workmanship. Coleman, at its option, will repair or replace this product or any component of the product found to be defective during the warranty period. Replacement will be made with a new or remanufactured product or component. If the product is no longer available, replacement may be made with a similar product of equal or greater value. This is your exclusive warranty.

This warranty is valid for the original retail purchaser from the date of initial retail purchase and is not transferable. Keep the original sales receipt. Proof of purchase is required to obtain warranty performance. Coleman dealers, service centers, or retail stores selling Coleman® products do not have the right to alter, modify or in any way change the terms and conditions of this warranty.

What This Warranty Does Not Cover

This warranty does not cover normal wear of parts, parts that are not genuine Coleman® parts, or damage resulting from any of the following: negligent use or misuse of the product; use on improper voltage or current; commercial use of the product; use contrary to the operating instructions; disassembly, repair or alteration by anyone other than Coleman or an authorized service center. Further, the warranty does not cover Acts of God, such as fire, flood, hurricanes and tornadoes. Warranty void if damage to product results from the use of a part other than a genuine Coleman® part.

COLEMAN SHALL NOT BE LIABLE FOR DEFECTS THAT ARE CAUSED BY THE USE OF UNAUTHORIZED PARTS OR SERVICE. COLEMAN SHALL NOT BE LIABLE FOR ANY INCIDENTAL OR CONSEQUENTIAL DAMAGES CAUSED BY THE BREACH OF ANY EXPRESS OR IMPLIED WARRANTY OR CONDITIONS. EXCEPT TO THE EXTENT PROHIBITED BY APPLICABLE LAW, ANY IMPLIED WARRANTY OF MERCHANTABILITY OR FITNESS FOR A PARTICULAR PURPOSE IS LIMITED IN DURATION TO THE DURATION OF THE ABOVE WARRANTY OR CONDITIONS. SOME STATES, PROVINCES, OR JURISDICTIONS DO NOT ALLOW THE EXCLUSION OR LIMITATION OF INCIDENTAL OR CONSEQUENTIAL DAMAGES OR LIMITATIONS ON HOW LONG AN IMPLIED WARRANTY LASTS, SO THE ABOVE LIMITATIONS OR EXCLUSION MAY NOT APPLY TO YOU. THIS WARRANTY GIVES YOU SPECIFIC LEGAL RIGHTS, AND YOU MAY ALSO HAVE OTHER RIGHTS THAT VARY FROM STATE TO STATE OR PROVINCE TO PROVINCE.

How to Obtain Warranty Service

Take the product to an authorized Coleman service center. You can find the nearest authorized Coleman service center by visiting www.coleman.com or calling 1-800-835-3278 or TDD 316-832-8707 in the United States or 1 800 387-6161 in Canada. If a service center is not conveniently located, attach to the product a tag that includes your name, address, daytime telephone number and description of the problem. Include a copy of the original sales receipt. Carefully package the product and send either by UPS or Parcel Post **insured** with shipping and **insurance** prepaid to:

For products purchased in the United States:

The Coleman Company, Inc.
3600 North Hydraulic
Wichita, KS 67219

For products purchased in Canada:

Sunbeam Corporation (Canada) Limited
5975 Falbourne Street
Mississauga, Ontario
Canada L5R 3V8

The costs of transporting the product to Coleman or an authorized service center for warranty service is the responsibility of the purchaser.

Do not mail products with fuel in tanks, or with disposable propane cylinders. Remove glass globes from lanterns and wrap separately.

DO NOT RETURN THIS PRODUCT TO THE PLACE OF PURCHASE.

If you have any questions regarding this warranty please call 1-800-835-3278 or TDD 316-832-8707 in the United States or 1 800 387-6161 in Canada.

POUR VOTRE SÉCURITÉ

Que faire si vous sentez
une odeur de gaz :

1. Ne pas tenter d'allumer d'appareils.
2. Éteindre toute flamme.
3. Couper l'alimentation en gaz à la source.

POUR VOTRE SÉCURITÉ

Ne pas entreposer ni
utiliser d'essence ni
d'autres vapeurs ou
liquides inflammables à
proximité de cet appareil
ou de tout autre appareil.

⚠ DANGER



MONOXYDE DE CARBONE

- Cet appareil peut produire du monoxyde de carbone, un gaz inodore.
- L'utilisation de cet appareil dans des espaces clos peut entraîner la mort.
- Ne jamais utiliser cet appareil dans un espace clos comme un véhicule de camping, une tente, une automobile ou une maison.

Ce manuel contient des renseignements importants quant à l'assemblage, au fonctionnement et à l'entretien de cet appareil à propane destiné au plein air. De nombreux renseignements de sécurité sont fournis tout au début du manuel puis un peu partout dans le reste du manuel. Faites tout particulièrement attention lorsque vous voyez les symboles suivants: ⚠ DANGER, ⚠ AVERTISSEMENT et ⚠ ATTENTION.

Gardez ce manuel pour le consulter au besoin et pour apprendre aux nouveaux utilisateurs à employer l'appareil. Le manuel devrait être compulsé de concert avec les étiquettes apposées sur le produit.

Des précautions de sécurité sont indispensables en présence de tout appareil mécanique ou à gaz propane. Des précautions sont nécessaires pour l'utilisation, le rangement et l'entretien. Utiliser cet appareil avec tous les soins qui lui sont dus réduira les risques de blessures corporelles ou de dommages matériels.

Les symboles illustrés ci-après sont régulièrement employés dans le manuel. Tenez compte de ces précautions impératives lors de l'utilisation de tout appareil mécanique ou à gaz propane.

DANGER

«DANGER» indique une situation dangereuse qui, si elle n'est pas contournée, entraînera la mort ou des blessures graves.

AVERTISSEMENT

«AVERTISSEMENT» signale une situation potentiellement dangereuse qui, si elle n'est pas évitée, peut entraîner la mort ou des blessures graves.

ATTENTION

«ATTENTION» dénote un danger potentiel qui, s'il n'est pas contourné, risque d'entraîner des blessures corporelles allant de peu graves à moyennes ou bien des dommages matériels.

DANGER

L'inobservation des précautions et instructions fournies avec cet appareil peut entraîner mort, blessures corporelles graves et dommages ou pertes matériels par suite des risques d'incendie, d'explosion, de brûlures, d'asphyxie ou d'intoxication oxycarbonée.

L'appareil doit uniquement être utilisé ou réparé par des personnes étant capables d'assimiler et d'observer les instructions fournies.

Si vous avez besoin d'aide ou de renseignements – notice d'emploi ou étiquettes, par exemple – contactez The Coleman Company, Inc.

PROPOSITION 65 DE LA CALIFORNIE :

AVERTISSEMENT: Le propane et les sous-produits de la combustion du propane contiennent des produits chimiques reconnus par l'État de la Californie comme pouvant causer le cancer, des malformations congénitales ou présenter d'autres dangers pour la reproduction.

AVERTISSEMENT

- Cet appareil brûle le gaz propane, un gaz incolore, inodore et inflammable. Un odorisant est généralement incorporé au gaz pour lui conférer une odeur déplaisante « d'œuf pourri » et faciliter la détection des fuites. Étant donné que l'odorisant risque de s'estomper avec le temps, il serait insensé de compter uniquement sur son odorat pour détecter les fuites.
- Plus lourd que l'air, le gaz propane qui fuit s'accumule à ras du sol. Il peut être enflammé par des sources d'inflammation – allumettes, briquets, étincelles ou flammes nues, par exemple – éloignées de la fuite. Ne vous servez que de gaz propane destiné à être soutiré pour utilisation à l'état gazeux.
- Le propane doit être entreposé et utilisé conformément aux codes et règlements municipaux ou, faute de code, aux normes ANSI/NFPA 58 ou CAN/CGA B-149.2. Fermez le gaz entre utilisations.

DANGER



• RISQUE D'EXPLOSION ET D'INCENDIE

- Ne rangez jamais le propane près de la chaleur, de flammes, de veilleuses, aux rayons directs du soleil, d'une source d'inflammation, ou dans un endroit où la température puisse dépasser 49 °C (120 °F).
- Plus lourd que l'air, le propane s'accumule au ras du sol. Si vous sentez le gaz, éloignez-vous immédiatement de l'endroit.
- Ne fixez ou détachez jamais la bouteille de gaz quand le réchaud est allumé, près de flammes, veilleuses, etc., ou s'il est chaud au toucher.
- Le réchaud peut être une source d'inflammation pendant l'éclairage et quand il fonctionne. Ne l'utilisez pas dans les lieux qui contiennent ou peuvent contenir des substances combustibles volatiles ou en suspension dans l'air ainsi que des produits tels essence, solvants, dissolvants, particules de poussière ou produits chimiques indéterminés. Gardez ces produits à au moins 0,3 m (1 pi) des côtés et 1,2 m (4 pi) du dessus de l'appareil.
- Prévoyez des dégagements convenables autour des bouches d'air dans la chambre de combustion.

AVERTISSEMENT

Ne convient pas à l'utilisation dans maisons ou véhicules de plaisance.
Il est impossible de prévoir toutes les utilisations auxquelles puissent être soumis nos produits. **Consultez les autorités de sécurité incendie pour toute question quant à l'utilisation.** D'autres normes régissent l'utilisation des produits qui génèrent des gaz combustibles ou de la chaleur à des fins spécifiques. Les autorités municipales compétentes vous renseigneront.

- N'essayez jamais de recharger les bouteilles de gaz jetables.
- Servez-vous du régulateur pré-réglé fourni. Ne tentez pas de l'ajuster.
- Ne vous servez que d'accessoires ou pièces Coleman® pour le montage. À la mise en station du réchaud, recherchez les fuites aux raccords à l'eau savonneuse, jamais avec une flamme.

AVERTISSEMENT



• RISQUE DE BRÛLURES

- Ne laissez pas le réchaud sans surveillance à l'air libre, quand il fonctionne ou est chaud.
- Gardez le réchaud hors de la portée des enfants.

DANGER



• RISQUE D'INTOXICATION OXYCARBONÉE

- Ce réchaud est un appareil à combustion. Tous les appareils à combustion génèrent de l'oxyde de carbone (CO). Cet appareil est conçu pour produire des quantités infimes et inoffensives de CO s'il est employé et entretenu conformément aux avertissements et instructions. Assurez-vous que le flux d'air ne soit jamais entravé vers le réchaud ou à partir du réchaud.
- Les symptômes de l'intoxication oxycarbonée rappellent la grippe : yeux larmoyants, maux de tête, vertiges, fatigue, voire mort. Incolore et inodore, le CO tue. En présence de ces symptômes lors de l'utilisation de l'appareil, **allez immédiatement au grand air.**
- **Cet appareil est uniquement destiné à l'air libre.**
- **N'utilisez jamais le réchaud dans les pièces fermées ou sans ventilation – il consomme l'oxygène de l'air. Pour ne pas risquer de mettre votre vie en danger, ne l'utilisez jamais dans habitations ou autres endroits sans ventilation ou fermés.**

ATTENTION

• PAR MESURE DE SÉCURITÉ

- Gardez connexions et raccordements immaculés. Examinez les raccords de la bouteille de propane et du réchaud à propane pour déceler tout dommage avant la connexion.
- Lors du montage, vérifiez les connexions et raccordements à l'eau savonneuse – jamais avec une flamme – pour détecter les fuites. Des bulles signalent une fuite. Assurez-vous que la connexion ne soit pas faussée et qu'elle soit serrée à fond. Faites une nouvelle vérification à l'eau savonneuse. Si la fuite persiste, détachez la bouteille et entrez en rapport avec Coleman pour le dépannage ou la réparation.
- N'employez le réchaud que pour cuisiner. Ne le modifiez pas et ne lui ajoutez ni pièce ni dispositif non expressément conseillés par Coleman.
- Nettoyez souvent le réchaud pour que la graisse ne s'accumule pas et éviter tout feu de friture.

Caractéristiques techniques

Puissance d'entrée: 10 000 BTU/H par brûleur
Catégorie: Propane à pression régularisée
Alimentation: Bouteilles jetables de 465 g/16,4 oz
Régulateur: 5431

Assemblage

⚠ DANGER



• RISQUE D'INTOXICATION OXYCARBONÉE

- Est uniquement destiné à l'air libre.
- Ne l'utilisez jamais dans maison, caravane, tente, véhicule ou autre lieu clos et sans ventilation. Ce réchaud épuise l'oxygène de l'air. Ne l'employez pas dans les lieux clos et sans ventilation, vous mettriez votre vie en danger.

REMARQUE: Employez les bouteilles jetables de propane Coleman de 465 g/16,4 oz – les bouteilles utilisées avec les réchauds doivent être fabriquées et porter les marquages lisibles, conformément aux exigences pour bouteilles de GPL du Ministère des Transports des États-Unis ou de la norme CAN/CSA B339 de *Transport Canada*.

- Réglez le BOUTON DE COMMANDE à «arrêt». (Fig. 1)

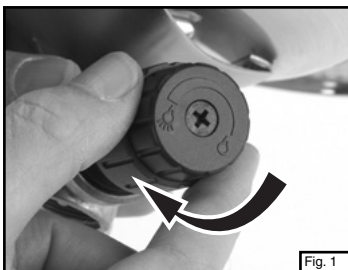


Fig. 1

⚠ ATTENTION

• PAR MESURE DE SÉCURITÉ

- Gardez connexions et raccordements propres. Examinez la bouteille de propane et le réchaud pour déceler tout dommage avant la connexion.
- Lors du montage, vérifiez les connexions et raccordements à l'eau savonneuse – jamais avec une flamme. Des bulles signalent une fuite.

- Enlevez le bouchon en plastique de la bouteille de propane; gardez-le pour ranger la bouteille.
- Fixez la bouteille de propane au réchaud. Ne fustez surtout pas les filets. Serrez À LA MAIN seulement. (Fig. 2)



Fig. 2

- Placez convenablement la bouteille dans le pied. (Fig. 3)



Fig. 3

- Pour bien supporter les grands ustensiles, dépliez les allonges du porte-plat. (Fig. 4)

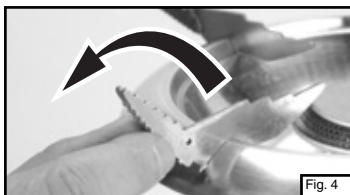


Fig. 4

Détection des fuites

⚠ AVERTISSEMENT

- Effectuez la recherche des fuites au grand air.
- Éteignez toutes les flammes nues.
- Ne fumez JAMAIS en recherchant les fuites.
- N'utilisez pas le réchaud avant d'avoir vérifié les connexions et d'être sûr qu'aucune ne fuit.

Allumage

⚠ DANGER



• RISQUE D'EXPLOSION ET D'INCENDIE

- Plus lourd que l'air, le propane s'accumule au ras du sol. Si vous sentez le gaz, éloignez-vous immédiatement de l'endroit.
- Fixez et détachez toujours l'alimentation en gaz à l'air libre, et ceci, jamais quand le réchaud est allumé ou chaud, ou bien près de flammes, veilleuses et autres sources d'inflammation.
- Le réchaud devient très chaud pendant l'utilisation et peut enflammer les produits combustibles placés trop près du brûleur. Gardez ces produits à 0,3 m (1 pi) des côtés et 1,2 m (4 pi) du dessus. Éloignez en outre l'essence et les liquides et vapeurs inflammables de l'appareil.
- Le réchaud ne doit pas être exposé aux vapeurs ou liquides inflammables durant l'allumage.

⚠ AVERTISSEMENT



• RISQUE DE BRÛLURES

- Ne laissez pas le réchaud sans surveillance lorsqu'il est chaud ou fonctionne.
- Gardez-le hors de portée des enfants.

Modèle à allumage par allumette :

- Placez sur une robuste surface plate. Ne convient qu'au plein air.
- Tenez une allumette enflammée au brûleur et ouvrez la COMMANDE. (Fig. 5)



Fig. 5

- Réglez la flamme à l'aide du BOUTON DE COMMANDE. (Fig. 6)
- La flamme devrait être bleue, avec des bouts de pointes légèrement jaunes.

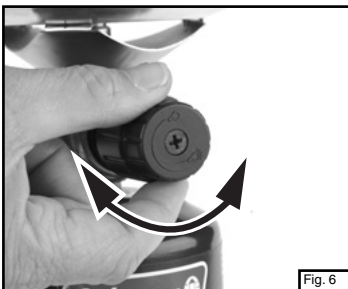


Fig. 6

Extinction

- Réglez le BOUTON DE COMMANDE à « arrêt ».
(Fig. 7)



Fig. 7

Entretien

- Assurez-vous que le réchaud soit froid.
- Éloignez le réchaud des flammes (veilleuses comprises) et autres sources d'inflammation.
- Séparez la bouteille de propane du réchaud.
(Fig. 8)
- Remplacez le bouchon protecteur sur la bouteille de propane.



Fig. 8

• SOINS PARTICULIERS

- Gardez la proximité du réchaud propre et exempt de matières combustibles, d'essence et d'autres vapeurs ou liquides inflammables.
- Veillez à ce que rien n'entrave le flux d'air de combustion et de ventilation
- La flamme convenable est bleue et sa pointe légèrement jaune. Des dards jaunes sont acceptables s'il ne se produit pas de calamine.
- Passez un linge imbibé de détergent à vaisselle (pas de récurant) sur le réchaud.

Rangement

⚠ DANGER



• RISQUE D'EXPLOSION ET D'INCENDIE

- Ne rangez jamais le propane près de veilleuses, chaleur, flammes nues, sources d'inflammation, au soleil ou dans les lieux où la température puisse dépasser 120 °F (49 °C).
- Détachez toujours la bouteille de propane du réchaud avant de ranger le réchaud.

Renseignements essentiels

1. Il est dangereux et illégal dans certaines régions d'entreposer ou d'utiliser des bouteilles de gaz de pétrole liquéfié ayant une capacité d'eau de plus de 1,14 kg (2,5 lb) [environ 465 g (1 lb) de propane] dans les lieux habités.
2. Hors saison, si vous rangez vos articles de camping et de pique-nique au sous-sol, grenier ou garage, placez le réchaud dans un sac de plastique bien fermé par un caoutchouc pour qu'il ne s'empoussièrera pas et ne se recouvre pas de toiles d'araignées.
3. En cas de panne, composez l'un des numéros donnés sur la couverture pour obtenir l'adresse du centre de service Coleman le plus proche. S'il n'y a pas de centre près de chez vous, apposez une étiquette au produit sur laquelle vous inscrirez vos nom, adresse, numéro de téléphone le jour et la description du problème. Emballez soigneusement le produit et envoyez le colis **avec valeur déclarée**, par UPS ou par la poste, en port et **assurance** payés, à :

Produits achetés aux États-Unis :

The Coleman Company, Inc.
3600 North Hydraulic
Wichita, KS 67219

Produits achetés au Canada :

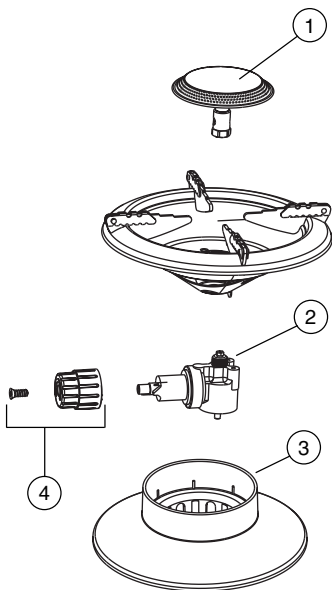
Sunbeam Corporation (Canada) Limited
5975 Falbourn Street
Mississauga, Ontario
Canada L5R 3V8

4. Si vous n'êtes pas entièrement satisfait du rendement de ce produit, vous pouvez nous en faire part en composant le 1 800 835-3278 aux États-Unis ou le 1 800 387-6161 au Canada.

www.colemancanada.ca

Nomenclature

N°	N° pièce	Désignation
1	5431-1321	ensemble de l'allumeur (allumage par allumette)
2	5431-5261	Regulator Assembly
3	R438C545C	Ens. du régulateur
4	9950-1491	Ens. du bouton



Ce que ne couvre pas cette garantie

Cette garantie ne couvre pas l'usure normale des pièces, les pièces autres que les pièces authentiques Coleman® ou l'endommagement attribuable à toute raison suivante : à la négligence, à l'utilisation abusive du produit, au branchement sur un circuit de tension ou courant inapproprié, à l'utilisation commerciale du produit, au non-respect du mode d'emploi, au démontage et à la réparation ou à l'altération par quiconque, sauf Coleman ou un centre de service agréé Coleman. Cette garantie ne couvre pas non plus les cas de force majeure comme incendies, inondations, ouragans et tornades. La garantie est automatiquement annulée si l'endommagement du produit découle de l'utilisation d'une pièce autre qu'une pièce de marque Coleman®.

COLEMAN N'ASSUME AUCUNE RESPONSABILITÉ POUR LES VICÉS RÉSULTANT DE L'EMPLOI DE PIÈCES NON AUTORISÉES OU DE RÉPARATIONS EXÉCUTÉES PAR UN PERSONNEL NON AUTORISÉ. COLEMAN DÉCLINE TOUTE RESPONSABILITÉ EN CAS DE DOMMAGES ACCESSOIRES OU INDIRECTS RÉSULTANT DU NON-RESPECT DE TOUTE GARANTIE OU CONDITION EXPLICITE OU IMPLICITE. SAUF DANS LA MESURE INTERDITE PAR LA LÉGISLATION PERTINENTE, TOUTE GARANTIE IMPLICITE DE QUALITÉ COMMERCIALE OU D'APPLICATION À UN USAGE PARTICULIER EST LIMITÉE À LA DURÉE DE LA GARANTIE OU CONDITION CI-DESSUS. CERTAINS ÉTATS ET CERTAINES PROVINCES OU JURIDICTIONS INTERDISSENT D'EXCLURE OU DE LIMITER LES DOMMAGES ACCESSOIRES OU INDIRECTS, OU NE PERMETTENT PAS LA LIMITATION DE LA DURÉE D'APPLICATION DE LA GARANTIE IMPLICITE, DE SORTE QUE VOUS POUVEZ NE PAS ÊTRE ASSUJETTIS AUX LIMITES OU EXCLUSIONS ÉNONCÉES CI-DESSUS. CETTE GARANTIE VOUS CONFÈRE DES DROITS JURIDIQUES PRÉCIS ET VOUS POUVEZ AVOIR D'AUTRES DROITS, CES DROITS VARIANT D'UN ÉTAT OU D'UNE PROVINCE À L'AUTRE.

Comment obtenir le service prévu par la garantie

Apportez l'article à un Centre de service agréé Coleman. Pour obtenir l'adresse du plus proche centre de service agréé Coleman, visitez le www.colemancanada.ca ou bien composez le 1 800 835-3278 ou le ATS 316-832-8707 aux États-Unis, le 1 800 387-6161 au Canada. S'il n'y a pas de centre de service facile d'accès, fixez une étiquette sur l'article précisant vos nom, adresse, numéro de téléphone le jour et la description de la défectuosité. Veuillez inclure une copie de reçu d'achat original. Emballez soigneusement l'article et expédiez-le par UPS ou par la poste, en **port et assurance** payés, à l'une des adresses suivantes :

Pour les produits achetés aux États-Unis:

The Coleman Company, Inc.
3600 North Hydraulic
Wichita, KS 67219

Pour les produits achetés au Canada:

Sunbeam Corporation (Canada) Limited
5975 Falbourn Street
Mississauga (Ontario)
Canada L5R 3V8

Les frais de transport du produit à Coleman ou à un centre de service agréé, en vue de la réparation sous garantie du produit, incombent à l'acheteur.

N'envoyez pas de produits dont le réservoir contient du carburant ou bien auxquels soit fixée une bouteille jetable de propane. Retirez le globe en verre des lanternes et emballez-le séparément.

NE RETOURNEZ PAS CE PRODUIT AU LIEU D'ACHAT.

Si vous avez toute question quant à cette garantie, veuillez composer le 1 800 835-3278 ou le ATS 316-832-8707 aux États-Unis, et le 1 800 387-6161 au Canada.

Garantie

Garantie limitée de 5 ans

The Coleman Company, Inc. (« Coleman ») garantit cet article contre tout vice de matériau et de fabrication pendant une période de cinq (5) ans courants à compter de la date de l'achat. Coleman se réserve le droit de choisir entre réparer ou remplacer cet article ou toute pièce de celui-ci dont la défectuosité a été constatée au cours de la période de garantie. Le remplacement se fera au moyen d'un produit neuf ou remanufacturé ou bien d'une pièce neuve ou remanufacturée. Si l'article n'est plus disponible, il sera remplacé par un article semblable, de valeur égale ou supérieure. La présente constitue votre garantie exclusive.

Cette garantie n'est valable que pour l'acheteur au détail original à partir de la date de l'achat au détail initial et elle n'est pas transférable. Veuillez conserver le reçu d'achat original. La preuve d'achat est exigée pour tout service couvert par la garantie. Les concessionnaires Coleman, les centres de service et les détaillants qui vendent des articles Coleman® n'ont pas le droit d'altérer, de modifier ou de changer d'une manière quelconque les modalités de cette garantie.

PARA SU SEGURIDAD

Si usted huele gas:

1. No intente encender el aparato.
2. Extinga cualquier llama directa.
3. Desconecte el suministrador de combustible.

PARA SU SEGURIDAD

No almacene ni use gasolina u otros líquidos que contengan vapores inflamables cerca de este ni con ningún otro aparato.

! PELIGRO



RIESGO DE MONOXIDO DE CARBONO

- Este aparato puede producir monóxido de carbono el cual no tiene olor.
- Usarlo en un área cerrada puede causarle la muerte.
- Nunca use este aparato en un área cerrada como son las caravanas, tiendas de campaña, autos ni dentro de la casa.

Este manual contiene información muy importante acerca del ensamblaje, operación y mantenimiento de este aparato de propano para el aire libre. Hay información general de seguridad presentada en esta página al igual que a través de estas instrucciones. Preste atención particular a la información que está acompañada de los símbolos de seguridad de alerta:

“**⚠ PELIGRO (DANGER)**”, “**⚠ ADVERTENCIA (WARNING)**”, “**⚠ CUIDADO (CAUTION)**”.

Guarde este manual como referencia para ser usado en el futuro y para educar todo usuario sin experiencia acerca de este producto. Este manual debe ser leído en conjunto con la etiqueta del producto.

Las precauciones de seguridad son esenciales cuando cualquier equipo mecánico o que requiere combustible de propano esté envuelto. Estas precauciones son necesarias para el uso, almacenamiento o reparación. Si usa este producto con el respeto y cuidado aquí demandado podrá reducir las posibilidades de lesiones a la persona o daño a la propiedad.

Los siguientes símbolos mostrados abajo son usados extensamente a través de estas instrucciones. Siempre preste atención a estas precauciones, ya que son esenciales con el uso de cualquier equipo mecánico o que requiere combustible.

⚠ PELIGRO

PELIGRO indica una situación de riesgo inmediata la cual, si no se evita, resultará en muerte o daños serios.

⚠ ADVERTENCIA

ADVERTENCIA indica una situación de riesgo potencial la cual, si no se evita, puede resultar en muerte o daños serios.

⚠ CUIDADO

CUIDADO indica una situación potencialmente peligrosa la cual, si no se evita, puede resultar en herida personal moderada o mínima o daño a la propiedad.

⚠ PELIGRO

Si no cumple con las precauciones y las instrucciones provistas con esta estufa podría causarle la muerte, lesiones graves a su cuerpo y daños o pérdidas a la propiedad debido a riesgos de fuego, explosiones, quemaduras, asfixia y/o envenenamiento con monóxido de carbono.

Solo personas que comprendan y sigan las instrucciones deben usar o darle servicio a estas estufas.

Si usted necesita asistencia o información sobre la estufa como manual de instrucciones o etiquetas, comuníquese con The Coleman Company, Inc.

PROPOSICION 65 DE CALIFORNIA:

ADVERTENCIA: Este combustible y los derivados por la combustión de este combustible, contienen químicos conocidos en el estado de California como causa de cáncer, defectos de nacimiento u otros daños al sistema reproductivo.

⚠ ADVERTENCIA

- Este producto utiliza combustible de gas propano. El gas propano es invisible, no tiene olor y es inflamable. Normalmente, un odorante es añadido al gas para ayudar a detectar escapes y este olor puede ser descrito como un olor a “huevo podrido”. El odorante se puede disipar con el tiempo de modo que un escape de gas no siempre se puede detectar por el olor solamente.
- El gas propano es más pesado que el aire y escapes de propano descenderán al nivel más bajo del suelo posible. Puede encenderse con fuentes de encendido incluyendo fósforos, encendedores, chispas o llamas abiertas de cualquier tipo aunque estén a muchos metros de distancia del escape original. Use solamente gas propano preparado para separación de vapor.
- El gas propano debe ser almacenado y usado en conformidad con las ordenanzas y códigos locales o con “ANSI/NFPA 58”. Apague el propano cuando no lo esté usando.

⚠ PELIGRO



• EXPLOSION - RIESGO DE FUEGO

- Nunca almacene el propano cerca de calor intenso, llamas, mechas de piloto, luz del sol directa, otras fuentes de ignición ni donde la temperatura exceda 120 grados F (49°C).
- El propano es más pesado que el aire y se acumula en lugares bajos. Si usted huele gas, abandone el lugar inmediatamente.
- Nunca instale ni quite el tanque de propano mientras la estufa esté encendida, cerca de llamas, mechas de piloto, otras fuentes de encendido ni mientras la estufa esté caliente al tacto.
- Durante la ignición y su uso, este producto puede ser una fuente de ignición. Nunca use la estufa en espacios que contengan ni que puedan contener combustible volátil ni transmitido por el aire, ni productos como gasolina, solventes, quita pintura, partículas de polvo ni químicos desconocidos. Margen de espacio mínimo de materiales combustibles: .31 m (un pie) de los lados y 1.22 m (cuatro pies) de la parte superior.
- Provea un margen de espacio adecuado alrededor de las aperturas de aire que van a la cámara de combustión.

⚠ ADVERTENCIA

No la use dentro de la casa ni en vehículos de recreo.

Nosotros no podemos preveer cada uso que se pueda hacer de nuestros productos.

Consulte con su autoridad de seguridad de incendios local si tiene preguntas acerca del uso.

Sus autoridades locales pueden aconsejarle a acerca de otras normas para regular el uso de gases de combustible y productos que producen calor para usos específicos.

- No rellene nunca los cilindros desechables.
- Use el regulador montado por la fábrica que viene con la estufa. No intente ajustarlo.
- Use sola mente piezas y accesorios Coleman®. Durante el montaje de la estufa, use agua jabonosa para revisar todos los terminales por si hubieran fugas. No use nunca una llama.

⚠ ADVERTENCIA



• RIESGO DE QUEMADURAS

- Nunca deje la estufa desatendida cuando está caliente ni cuando la está usando.
- Mantenga alejada del alcance de los niños.

⚠ PELIGRO



• RIESGO DE MONOXIDO DE CARBONO

- Esta estufa es un aparato de combustión. Todos los aparatos de combustión producen monóxido de carbono (CO) durante el proceso de combustión. Este producto está diseñado para producir cantidades de CO extremadamente diminutas y no peligrosas cuando es usado y mantenido de acuerdo a todas las advertencias e instrucciones. No bloquee el flujo de aire dentro ni afuera de la estufa de cocinar.
- El envenenamiento con Monóxido de Carbono (CO) produce síntomas parecidos a la gripe, ojos aguados, dolores de cabeza, mareos, fatiga y posiblemente la muerte. Usted no puede verlo u olerlo. Es un asesino invisible. Si alguien experimenta alguno de estos síntomas durante el uso de este producto **busque aire fresco inmediatamente!**
- **Para uso al aire libre solamente.**
- **Nunca use dentro de la casa, ni en ninguna otra área sin ventilación ni cerrada. Esta estufa de cocinar consume aire (oxígeno). No la use en áreas sin ventilación o cerradas para prevenir poner en peligro su vida.**

⚠ CUIDADO

• SERVICIO DE SEGURIDAD

- Conserve limpias todas las conexiones y uniones. Inspeccione el cilindro de propano y las conexiones de propano de la estufa antes de conectarlos por si estuvieran dañados.
- Durante el montaje, verifique que las conexiones y uniones no tengan fugas usando agua con jabón. Nunca use una llama. La presencia de burbujas indica una fuga. Verifique que la conexión no esté trasroscada y que esté bien apretada. Haga otra comprobación de fugas. Si todavía existe una fuga, quite el cilindro y póngase en contacto con Coleman para servicio o reparaciones.
- Úsela solamente como un aparato para cocinar. No la altere nunca de ninguna manera ni la use con ningún artefacto ni repuesto que no esté específicamente aprobado por Coleman.
- Limpie la estufa frecuentemente para evitar acumulación de grasa y posibles incendios causados por la grasa.

Características Técnicas

Consumo: 10,000 BTU/H por quemador
Categoría: Presión regulada de propano
Combustible: Cilindros de propano desechables de 16.4 onzas (465 grms.).
Regulador: 5431

Para Armar

⚠ PELIGRO



• RIESGO DE MONOXIDO DE CARBONO

- Para uso solamente al aire libre.
- Nunca la use dentro de la casa, caravana, tienda de campaña, vehículo u otras áreas sin ventilación ni cerradas. Esta estufa consume aire (oxígeno). No la use en áreas sin ventilación ni cerradas para evitar poner su vida en peligro.

Nota: Use cilindros de propano desechables Coleman de 16.4 oz. (465 grms.) El cilindro (s) de gas LP que se usa con las estufas debe haber sido construido y estar marcado de acuerdo con las especificaciones para cilindros de gas LP del Departamento de Transporte de los Estados Unidos o de *Transporte de Canadá, CAN/CSA B339.*

- Gire la VALVULA DE COMBUSTIBLE a "off" (apagado). (Fig. 1)

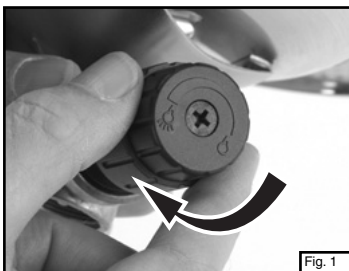


Fig. 1

⚠ CUIDADO

• SERVICIO DE SEGURIDAD

- Conserve limpias todas las conexiones y uniones. Inspeccione el cilindro de propano y las conexiones de propano de la estufa antes de conectarlos por si estuvieran dañados.
- Durante el montaje, verifique que las conexiones y uniones no tengan fugas usando agua con jabón. Nunca use una llama.

- Remueva la tapa protectora en el cilindro de propano. Guarde la tapa para usarla en el almacenamiento.
- Enrosque el cilindro de propano a la estufa. Tenga cuidado en no enroscarlo torcido. APRIETE A MANO solamente. (Fig. 2)



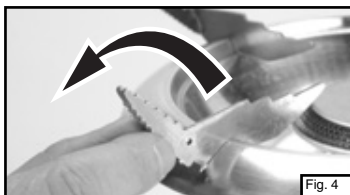
Fig. 2

- Ponga el cilindro seguramente en la base de la estufa. (Fig. 3)



Fig. 3

- Para aguantar las ollas grandes, plegue las extensiones de las patas por fuera. (Fig. 4)



Verificación de Fuga

⚠ ADVERTENCIA

- Haga la verificación de fugas al aire libre.
- Extinga todas llamas directas.
- No verifique nunca una fuga cuando fume.
- No use la estufa para el aire libre hasta tanto la conexión haya sido verificada y no hay fuga.

Para Encenderla

⚠ PELIGRO



• EXPLOSIÓN - RIESGO DE FUEGO

- El propano es más pesado que el aire y se puede acumular en los lugares bajos. Si usted huele a gas, abandone el área inmediatamente.
- Conecte o desconecte siempre las fuentes del propano al aire libre; no lo haga nunca mientras la estufa esté encendida, cerca de una llama, fuegos de piloto, otras fuentes de encendido ni mientras la estufa esté caliente al tacto.
- Esta estufa se pone al rojo vivo durante su uso y puede encender artículos inflamables demasiado cerca de los quemadores. Mantenga los artículos inflamables por lo menos a 12 pulgadas (30.5 cm.) de los lados y 48 pulgadas (1.2 m.) de la parte de arriba de la estufa. Mantenga la gasolina y otros líquidos y vapores inflamables bastante alejados de la estufa.
- La estufa no debe ser expuesta a vapores ni líquidos inflamables cuando relampaguea.

⚠ ADVERTENCIA



• RIESGO DE QUEMADURAS

- No deje nunca la estufa desatendida cuando esté caliente ni cuando la esté usando.
- Mantenga alejada del alcance de los niños.

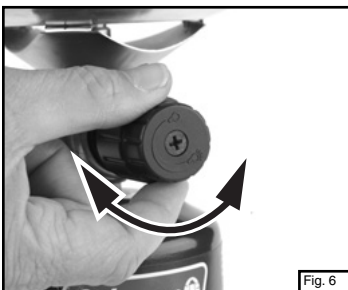
Modelo de encendido con fósforos:

- Cóloquela en una superficie plana y segura. Para uso al aire libre solamente.
- Sostenga el fósforo encendido frente al quemador y abra la VALVULA DE COMBUSTIBLE. (Fig. 5)



- Ajuste la llama al calor deseado con la VALVULA DE COMBUSTIBLE. (Fig. 6)

- La llama debe ser azul con un poco de amarillo en las puntas.



Para Apagarla

- Gire la VALVULA DE COMBUSTIBLE a "off" (apagado). (Fig. 7)



Fig. 7

Para Limpiarla

- Asegúrese que la estufa esté fría.
- Ponga la estufa alejada de una llama (incluyendo las llamas del piloto) y otras fuentes de encendido.
- Quite el cilindro de propano de la estufa. (Fig. 8)
- Coloque la tapa protectora al cilindro de propano.



Fig. 8

• MANTENIMIENTO

- Conserve el área de la estufa despejada y libre de materiales combustibles, gasolina y otros vapores y líquidos inflamables.
- No obstruya el flujo de combustión ni la ventilación del aire.
- Una buena llama deberá ser azul con un mínimo de amarillo en la punta. Algunas puntas amarillas en las llamas son aceptables siempre y cuando no aparezcan depósitos de carbón o de hollín.
- Limpie con un paño suave y detergente suave. No use abrasivos.

Para Guardarla

⚠ PELIGRO



• EXPLOSION - RIESGO DE FUEGO

- No almacene nunca el propano cerca calor intenso, llamas directas, llamas de piloto, luz solar directa, otras fuentes de ignición ni donde las temperaturas excedan 120 grados F (49°C).
- El cilindro debe ser desconectado cuando la estufa está guardada.

Cosas que Debe Saber

1. Es peligroso, e ilegal en algunos lugares, almacenar o utilizar cilindros de propano líquido con capacidad de más de 1,14 kg (2,5 libras) de agua [aproximadamente 465 g (1 libra) de propano] en habitaciones cerradas.
2. Los sitios comunes para guardar equipos de campamento y "picnic" son el sótano, ático y garaje. A fin de evitar la acumulación de polvo, telarañas, etc., que son comunes en estas áreas, guarde su estufa en una bolsa de plástico y séllela con una banda elástica.
3. Para contactar con el Centro de Reparación Coleman más cercano, llame a uno de los números que aparecen en la tapa de frente. Si un centro de reparación no está convenientemente situado, sujete una tarjeta al producto incluyendo su nombre, dirección, número de teléfono durante el día y una descripción del problema. Empaquete cuidadosamente el producto y envíelo por UPS o por el Servicio de Paquetes Postales con **gastos** de envío y **seguro** prepagados a:

Para productos comprados en los Estados Unidos:

The Coleman Company, Inc.
3600 North Hydraulic
Wichita, KS 67219

Para productos comprados en Canadá:

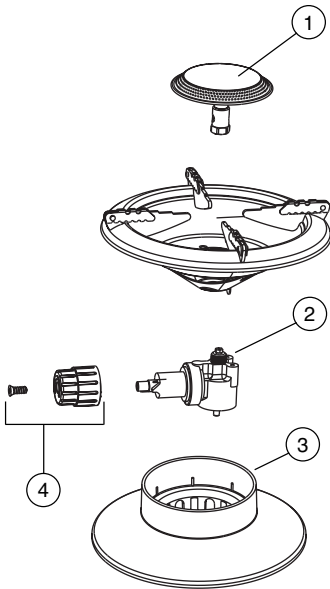
Sunbeam Corporation (Canada) Limited
5975 Falbourn Street
Mississauga, Ontario
Canada L5R 3V8

4. Si no está completamente satisfecho con el funcionamiento de este producto, llame por favor al **1-800-835-3278** en los Estados Unidos ó al **1-800 387-6161** en Canadá.

www.coleman.com

Lista de Piezas

No.	Número de Pieza	Descripción
1	5431-1321	Ens. del Quemador (encendido con fósforos)
2	5431-5261	Ens. del Regulador
3	R438C545C	Base
4	9950-1491	Ensamblaje de la perilla



Lo Que Esta Garantia No Cubre

Esta garantía no cubre el desgaste normal de las piezas, piezas que no sean genuinas de Coleman® ni daño resultante por las siguientes causas; uso negligente o uso incorrecto del producto; uso con voltaje o corriente no apropiado, uso comercial de este producto, uso contrario a las instrucciones de operación, desmontaje, reparación o alteración por cualquiera que no sea Coleman® o un centro de servicio autorizado. Además, la garantía no cubre Fuerzas Naturales tales como son fuego, inundaciones, huracanes y tornados. La garantía no es valida si el daño al producto es un resultado del uso de piezas que no sean piezas genuinas Coleman®.

COLEMAN NO SERA PESPONSABLE POR DEFECTOS CAUSADOS POR EL USO DE PIEZAS O SERVICIO NO AUTORIZADO. COLEMAN NO SERÁ RESPONSABLE POR NINGÚN DAÑO INCIDENTAL O CONSIGUIENTE OCASIONADO POR LA VIOLACIÓN DE CUALQUIER GARANTÍA O CONDICIÓN IMPLICADA O EXPRESADA. CON EXCEPCIÓN AL LIMITE DE LO QUE PROVEE LA LEY APLICABLE, CUALQUIER GARANTÍA IMPLICADA DE COMERCIO O ADAPTACIÓN PARA UN USO EN PARTICULAR ES LIMITADA EN SU DURACIÓN A LA DURACIÓN DE LA GARANTÍA ARRIBA MENCIONADA. ALGUNOS ESTADOS, PROVINCIAS O JURISDICCIONES NO PERMITEN LA EXCLUSIÓN O LIMITACIÓN DE DAÑOS INCIDENTALES O CONSIGUIENTES O LIMITACIONES REFERENTE A CUÁNTO UNA GARANTÍA LIMITADA DEBE DURAR, POR LO TANTO LAS LIMITACIONES O EXCLUSIONES ARRIBA MENCIONADAS PUEDE QUE NO SEAN APLICABLES A USTED. ESTA GARANTÍA LE PROVEE DERECHOS LEGALES EXPECÍFICOS, Y ADEMÁS PUEDE QUE USTED TENGA OTROS DERECHOS QUE VARIÁN DE ESTADO A ESTADO O DE PROVINCIA A PROVINCIA.

Como Obtener Servicio de Garantía

Lleve el producto a un centro de servicio Coleman autorizado. Usted puede encontrar el centro de servicio Coleman autorizado más cercano visitando nuestro lugar web en www.coleman.com o llamando al 1-800-835-3278 ó al TDD 316-832-8707 en los Estrados Unidos ó al 1-800-387-6161 en Canadá. Si no encuentra un centro de servicio convenientemente localizado, adhiera una etiqueta al producto que incluya su nombre, dirección, número de teléfono y una descripción del problema. Incluya una copia del recibo de compra original. Empaque el producto cuidadosamente y envíelo por correo o por "UPS" con **seguro** y porte pagado a:

Para productos comprados en los Estados Unidos:
The Coleman Company, Inc.
3600 North Hydraulic
Wichita, KS 67219

Para productos comprados en Canada:
Sunbeam Corporation (Canada) Limited
5975 Falbourne Street
Mississauga, Ontario
Canada L5R 3V8

Garantía

Garantía Limitada de Cinco Años

The Coleman Company, Inc. ("Coleman") garantiza que por un periodo de cinco años a partir de la fecha original de compra, este producto estará libre de defectos en material y construcción. Coleman, a su discreción, reparará o reemplazará este producto o cualquier componente del producto que esté defectuoso durante el periodo de la garantía. Cualquier reemplazo será hecho con un producto o componente nuevo o refabricado. Si el producto no se encuentra disponible, el reemplazo se podrá hacer con un producto similar de igual o mayor valor. Esta es su garantía exclusiva.

Esta garantía es válida para el comprador original desde la fecha de la compra inicial y no es transferible. Guarde su recibo de compra. Prueba de recibo de compra es requerido para obtener ejecución de la garantía. Los comerciantes de Coleman, centros de servicio o las tiendas al por menor que venden productos Coleman® no tienen el derecho de alterar, modificar o cambiar de ninguna otra manera los términos y condiciones de esta garantía.

Los gastos de transporte del producto a Coleman o a un centro de servicio autorizado para servicio de garantía son la responsabilidad del comprador.

No envíe productos con combustible en los tanques, o con cilindros de propano desechables. Quite los globos de cristal de las linternas y envuélvalos por separado.

NO DEVUELVA ESTE PRODUCTO AL LUGAR DONDE LO COMPRO.

Si usted tiene alguna pregunta sobre esta garantía favor de llamar al 1-800-835-3278 o al TDD 316-832-8707 en los Estados Unidos o al 1-800-387-6161 en Canadá.

Notes:

Lined area for notes with horizontal ruling lines.



The Coleman Company, Inc. • 3600 N. Hydraulic • Wichita, KS 67219 U.S.A.
1-800-835-3278 • TDD: 316-832-8707

Sunbeam Corporation (Canada) Limited • 5975 Falbourne Street
Mississauga, Ontario, Canada L5R 3V8 • 1 800 387-6161

© 2005 The Coleman Company, Inc. All rights reserved. Coleman® and
are registered trademarks of The Coleman Company, Inc.



© 2005 The Coleman Company, Inc. Tous droits réservés. Coleman® et
sont des marques déposées de The Coleman Company, Inc.



© 2005 The Coleman Company, Inc. Todos los derechos reservados. Coleman® y
son marcas registradas de The Coleman Company, Inc.



www.coleman.com

Free Manuals Download Website

<http://myh66.com>

<http://usermanuals.us>

<http://www.somanuals.com>

<http://www.4manuals.cc>

<http://www.manual-lib.com>

<http://www.404manual.com>

<http://www.luxmanual.com>

<http://aubethermostatmanual.com>

Golf course search by state

<http://golfingnear.com>

Email search by domain

<http://emailbydomain.com>

Auto manuals search

<http://auto.somanuals.com>

TV manuals search

<http://tv.somanuals.com>