



# Propane Stove

## INSTRUCTIONS FOR USE

© 2003 The Coleman Company, Inc.  
www.coleman.com

### IMPORTANT

Read this manual carefully before assembling, using or servicing these stoves. Keep this manual for future reference. If you have questions about assembly, operation, servicing or repair of these stoves, please call Coleman at 1-800-835-3278 or TDD: 316-832-8707. In Canada call 1-800-387-6161.



**Model 5431A Series**



ANS Z21.72b-CSA 11.2b (2002) Camp Stove

## Contents

- General Safety Information
- To Set Up
- To Light
- To Turn Off
- To Store
- To Clean
- Things You Should Know
- Parts List
- Warranty

## General Safety Information

### FOR YOUR SAFETY

If you smell gas:

1. Do not attempt to light appliance.
2. Extinguish any open flame.
3. Disconnect from fuel supply.

### FOR YOUR SAFETY




Do not store or use gasoline or other liquids with flammable vapors in the vicinity of this or any other appliance.

2

## DANGER



- **CARBON MONOXIDE HAZARD**
- **This appliance can produce carbon monoxide which has no odor.**
- **Using it in an enclosed space can kill you.**
- **Never use this appliance in an enclosed space such as a camper, tent, car or home.**

This manual contains important information about the assembly, operation and maintenance of these propane stoves. General safety information is presented in these first few pages and is also located throughout the manual. Particular attention should be paid to information accompanied by the safety alert symbol “ DANGER”, “ WARNING”, “ CAUTION”.

Keep this manual for future reference and to educate new users of this product. This manual should be read in conjunction with the labeling on the product.

Safety precautions are essential when any mechanical or propane fueled equipment is involved. These precautions are necessary when using, storing, and servicing. Using this equipment with the respect and caution demanded will reduce the possibilities of personal injury or property damage.

The following symbols shown below are used extensively throughout this manual. Always heed these precautions, as they are essential when using any mechanical or propane fueled equipment.

## General Safety Information *cont.*

### **DANGER**

DANGER indicates an imminently hazardous situation which, if not avoided, will result in death or serious injury.

### **WARNING**

WARNING indicates a potentially hazardous situation which, if not avoided, could result in death or serious injury.

### **CAUTION**

CAUTION indicates a potentially hazardous situation which, if not avoided, may result in minor or moderate personal injury, or property damage.

### **DANGER**

Failure to comply with the precautions and instructions provided with these stoves can result in death, serious bodily injury and property loss or damage from hazards of fire, explosion, burn, asphyxiation, and/or carbon monoxide poisoning.

Only persons who can understand and follow the instructions should use or service these stoves.

If you need assistance or information such as an instruction manual or labels, contact the Coleman Co., Inc.

### **DANGER**



#### • **EXPLOSION - FIRE HAZARD**

- Never store propane near high heat, open flames, pilot lights, direct sunlight, other ignition sources or where temperatures exceed 120 degrees F (49°C).
- Propane is heavier than air and can accumulate in low places. If you smell gas, leave the area immediately.
- Never install or remove propane tank while outdoor stove is lighted, near flame, pilot lights, other ignition sources or while outdoor stove is hot to touch.
- During operation, this product can be a source of ignition. Never use the stove in spaces that contain or may contain volatile or airborne combustibles, or products such as gasoline, solvents, paint thinner, dust particles or unknown chemicals. Minimum clearances from combustible materials: 12 inches from the sides & 48 inches from the top.
- Provide adequate clearances around air openings into the combustion chamber.

### **WARNING**

Not for home or recreational vehicle use.

We cannot foresee every use which may be made of our products.  
**Check with your local fire safety authority if you have questions about use.**

Other standards govern the use of fuel gases and heat producing products for specific uses. Your local authorities can advise you about these.

- Never refill disposable cylinders.
- Use the preset regulator that came with the stove. Do not attempt to adjust.



### DANGER



#### • CARBON MONOXIDE HAZARD

- This stove is a combustion appliance. All combustion appliances produce carbon monoxide (CO) during the combustion process. This product is designed to produce extremely minute, non-hazardous amounts of CO if used and maintained in accordance with all warnings and instructions. Do not block air flow into or out of the stove.
- Carbon Monoxide (CO) poisoning produces flu-like symptoms, watery eyes, headaches, dizziness, fatigue and possibly death. You can't see it and you can't smell it. It's an invisible killer. If these symptoms are present during operation of this product **get fresh air immediately!**
- **For outdoor use only.**
- **Never use inside house, camper, tent, vehicle or other unventilated or enclosed areas. This stove consumes air (oxygen). Do not use in unventilated or enclosed areas to avoid endangering your life.**



### WARNING

- This product is fueled by propane gas. Propane gas is invisible, odorless, and flammable. An odorant is normally added to help detect leaks and can be described as a "rotten egg" smell. The odorant can fade over time so leaking gas is not always detectable by smell alone.
- Propane gas is heavier than air and leaking propane will sink to the lowest level possible. It can ignite by ignition sources including matches, lighters, sparks or open flames of any kind many feet away from the original leak. Use only propane gas set up for vapor withdrawal.
- Propane gas should be stored or used in compliance with local ordinances and codes or with ANSI/NFPA 58. Turn off propane when not in use.

#### CALIFORNIA PROPOSITION 65:

WARNING: This fuel, and byproducts of combustion of this fuel, contain chemicals known to the state of California to cause cancer, birth defects, or other reproductive harm.



### WARNING



#### • BURN HAZARD

- Never leave stove unattended when hot or in use.
- Keep out of reach of children.



### CAUTION

#### • SERVICE SAFETY

- Keep all connections and fittings clean. Inspect propane cylinder and stove propane connections for damage before attaching.
- During set up, check all connections and fittings for leaks using soapy water. Never use a flame. Bubbles indicate a leak. Check that the connection is not cross-threaded and that it is tight. Perform another leak check. If there is still a leak, remove the cylinder and contact Coleman for service or repairs.
- Use as a cooking appliance only. Never alter in any way or use with any device or part not expressly approved by Coleman.
- Clean stove frequently to avoid grease accumulation and possible grease fires.

## To Set Up



### DANGER

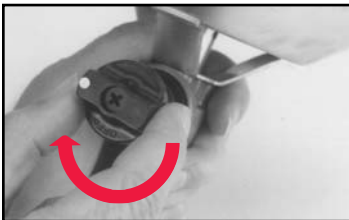


#### • CARBON MONOXIDE HAZARD

- For outdoor use only.
- Never use inside house, camper, tent, vehicle or other unventilated or enclosed areas. This stove consumes air (oxygen). Do not use in unventilated or enclosed areas to avoid endangering your life.

Note: Use Coleman 16.4 oz disposable propane cylinders. The LP-gas cylinder(s) used with stoves must be constructed and marked in accordance with the specifications for LP-gas cylinders of the U.S. Department of Transportation or Transport Canada, CAN/CSA B339.

- Turn FUEL VALVE "off".



- Remove protective cap from top of propane cylinder. Save cap for use in storing.

- Screw propane cylinder into stove. Take care not to cross thread. HAND TIGHTEN only.



- Place cylinder securely in stove base.



### CAUTION

#### • SERVICE SAFETY

Keep all connections and fittings clean. Inspect propane cylinder and stove propane connections for damage before attaching.

During set up, check all connections and fittings for leaks using soapy water. Bubbles indicate a leak. Never use a flame.



## To Light



### DANGER



#### • EXPLOSION - FIRE HAZARD

- Propane is heavier than air and can accumulate in low places. If you smell gas, leave the area immediately.
- Always attach or detach propane source outdoors; never while stove is lighted, near flame, pilot lights, other ignition sources or while stove is hot to touch.
- This stove is red hot during use and can ignite flammables too close to the burners. Keep flammables at least 12 inches from the sides and 48 inches from the top of the stove. Keep gasoline and other flammable liquids and vapors well away from stove.

## To Light *cont*

### Electronic Ignition Model:

- Set on sturdy, flat surface. For outdoor use only.
- Open BURNER VALVE completely until it clicks. If burner does not light with first click, repeat procedure.



### Match Light Model:

- Set on sturdy, flat surface. For outdoor use only.
- Hold lighted match at burner and open FUEL VALVE.



- Adjust flame to desired heat with FUEL VALVE.
- Flame should be blue with hint of yellow on tips.



## WARNING



### • BURN HAZARD

- Never leave stove unattended when hot or in use.
- Keep out of reach of children.

## To Turn Off

- Turn FUEL VALVE "off".



## To Store

- Move stove away from flame (including pilot lights) and other ignition sources.
- Remove propane cylinder from stove.
- Replace protective cap on propane cylinder.



## ⚠ DANGER



- **EXPLOSION - FIRE HAZARD**
- Never store propane near high heat, open flames, pilot lights, direct sunlight, other ignition sources or where temperatures exceed 120 degrees F (49°C).
- Refillable propane tanks must always be stored outdoors in a well ventilated space. Never store propane tank in an enclosed area (house, garage, etc.). If stove is to be stored indoors, disconnect the propane tank for outdoor storage.

## To Clean

- Wipe clean with soft cloth and mild household cleaner. Do not use abrasives.

## Things You Should Know

1. It is unsafe and illegal in some places to store or use propane cylinders of greater than 1.14 kg (2.5 lbs) water capacity (approximately 1 lb. propane) in occupied enclosures.
2. The usual storage areas for camping and picnic equipment are the basement, attic, or garage. To avoid the accumulation of dust, cobwebs, etc., that is common in these areas, place your stove in a plastic bag and seal it with a rubber band.
3. For repair service call one of the numbers on the front cover for location of your nearest Coleman Service Center. If a service center is not conveniently located, attach to the product a tag that includes your name, address, daytime telephone number and description of the problem. Carefully package the product and send either by UPS or Parcel Post **insured** with shipping and **insurance** prepaid to:

### For products purchased in the United States:

The Coleman Company, Inc.  
3600 North Hydraulic  
Wichita, KS 67219

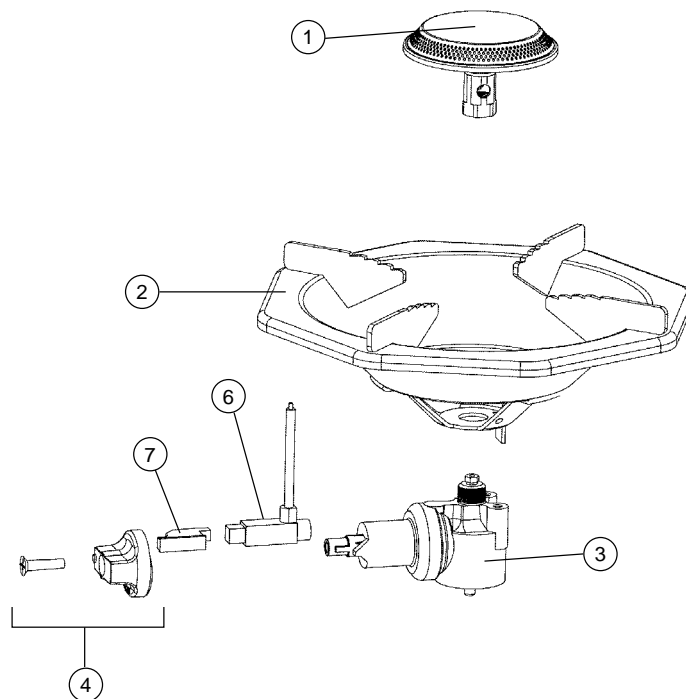
### For products purchased in Canada:

Sunbeam Corporation (Canada) Limited  
5975 Falbourne Street  
Mississauga, Ontario  
Canada L5R 3V8

4. If not completely satisfied with the performance of this product, please call one of the numbers listed on the cover of this manual.

# Parts List

No.	Part Number	Description
1	5431-1321	Burner Assy. (matchlight)
	5431-6341	Burner Assy. (electronic ignition)
2	5431-5101	Burner Bowl
3	5431-5261	Regulator Assembly
4	5154A1491	Knob Assembly
5	R5431A647C	Base
6	5431-5851	Igniter Unit (electronic ignition only)
7	5154-1101	Cam follower (electronic ignition only)







## Limited Lifetime Warranty

The Coleman Company, Inc. ("Coleman") warrants that for the period that you own this product, it will be free from defects in material and workmanship. Coleman, at its option, will repair or replace this product or any component of the product found to be defective during the warranty period. Replacement will be made with a new or remanufactured product or component. If the product is no longer available, replacement may be made with a similar product of equal or greater value. This is your exclusive warranty.

This warranty is valid for the original retail purchaser from the date of initial retail purchase and is not transferable. Keep the original sales receipt. Proof of purchase is required to obtain warranty performance. Coleman dealers, service centers, or retail stores selling Coleman products do not have the right to alter, modify or in any way change the terms and conditions of this warranty.

This warranty does not cover normal wear of parts or damage resulting from any of the following: negligent use or misuse of the product, use on improper voltage or current, use contrary to the operating instructions, disassembly, repair or alteration by anyone other than Coleman or an authorized service center. Further, the warranty does not cover Acts of God, such as fire, flood, hurricanes and tornadoes.

Coleman shall not be liable for any incidental or consequential damages caused by the breach of any express or implied warranty or conditions. Except to the extent prohibited by applicable law, any implied warranty of merchantability or fitness for a particular purpose is limited in duration to the duration of the above warranty or conditions. Some states, provinces or jurisdictions do not allow the exclusion or limitation of incidental or consequential damages or limitations on how long an implied warranty lasts, so the above limitations or exclusion may not apply to you. This warranty gives you specific legal rights, and you may also have other rights that vary from state to state or province to province.

## HOW TO OBTAIN WARRANTY SERVICE

Take the product to an authorized Coleman service center. You can find the nearest authorized Coleman service center by calling 1-800-835-3278 or TDD 316-832-8707 in the United States or 1 800 387-6161 in Canada. If a service center is not conveniently located, attach to the product a tag that includes your name, address, daytime telephone number and description of the problem. Include a copy of the original sales receipt. Carefully package the product and send either by UPS or Parcel Post **insured** with shipping and **insurance** pre-paid to:

### For products purchased in the United States:

The Coleman Company, Inc.  
3600 North Hydraulic  
Wichita, KS 67219

### For products purchased in Canada:

Sunbeam Corporation (Canada) Limited  
5975 Falbourn Street  
Mississauga, Ontario  
Canada L5R 3V8

Do not mail products with fuel in tanks, or with disposable propane cylinders.

**DO NOT RETURN THIS PRODUCT TO THE PLACE OF PURCHASE.**

If you have any questions regarding this warranty please call 1-800-835-3278 or TDD 316-832-8707 in the United States or 1 800 387-6161 in Canada.



# Réchaud à propane

## MODE D'EMPLOI

© 2003 The Coleman Company, Inc.  
[www.coleman.com](http://www.coleman.com)

### IMPORTANT

Lisez attentivement ce manuel avant d'assembler, d'utiliser ou de réparer la chaufferette; gardez-le pour le consulter au besoin. Pour toutes questions concernant l'assemblage, le fonctionnement, l'entretien ou la réparation, veuillez composer le 1 800 835-3278 ou le 316-832-8707 aux États-Unis, ou bien le 1 800 387-6161 au Canada.



Modèle Série 5431A



ANS Z21.72b-CSA 11.2b (2002) Poêle de camping

## Table des matières

Généralités de sécurité  
Assemblage  
Allumage  
Extinction  
Rangement  
Nettoyage  
Renseignements essentiels  
Nomenclature  
Garantie

## Généralités de sécurité

### POUR VOTRE SÉCURITÉ

Si vous sentez le gaz :

1. Arrêtez l'alimentation en gaz à l'appareil.
2. Éteignez toutes flammes nues.
3. Si l'odeur persiste, appelez immédiatement votre fournisseur de gaz.

### POUR VOTRE SÉCURITÉ

**Ne rangez pas et n'employez pas d'essence ou d'autres vapeurs ou liquides inflammables à proximité de cet appareil ou de tout autre appareil.**

## Généralités de sécurité

**⚠ DANGER**



- **RISQUE D'INTOXICATION OXYCARBONÉE**
- **Cet appareil peut produire du monoxyde de carbone, un gaz incolore et inodore.**
- **L'emploi en lieu renfermé peut vous tuer.**
- **Ne vous servez jamais de cet appareil dans un lieu clos : caravane, tente, véhicule ou maison.**

Ce manuel contient des renseignements importants quant à l'assemblage, au fonctionnement et à l'entretien de ce réchaud d'extérieur. De nombreux renseignements de sécurité sont fournis tout au début du manuel puis un peu partout dans le reste du manuel. Faites tout particulièrement attention lorsque vous voyez les symboles suivants : **⚠ DANGER**, **⚠ AVERTISSEMENT** et **⚠ ATTENTION**.

Gardez ce manuel pour le consulter au besoin et pour apprendre aux nouveaux utilisateurs à employer l'appareil. Le manuel devrait être compulsé de concert avec les étiquettes apposées sur le produit.

Des précautions de sécurité sont indispensables en présence de tout appareil mécanique ou à propane. Des précautions sont nécessaires pour l'utilisation, le rangement et l'entretien. Utiliser cet appareil avec tous les soins qui lui sont dus réduira les risques de blessures corporelles ou de dommages matériels.

Les symboles illustrés ci-dessous et en page 13 sont régulièrement employés dans le manuel. Tenez compte de ces précautions, elles sont impératives lors de l'utilisation de tout appareil mécanique ou à gaz.

## Généralités de sécurité (suite).

### DANGER

« DANGER » indique une situation dangereuse qui, si elle n'est pas contournée, entraînera la mort ou des blessures graves.

### AVERTISSEMENT

« AVERTISSEMENT » signale une situation potentiellement dangereuse qui, si elle n'est pas évitée, peut entraîner la mort ou des blessures graves.

### ATTENTION

« ATTENTION » dénote un danger potentiel qui, s'il n'est pas contourné, risque d'entraîner des blessures corporelles allant de peu graves à moyennes ou bien des dommages matériels.

### DANGER

L'inobservation des précautions et instructions fournies avec cet appareil peut entraîner mort, blessures corporelles graves et dommages ou pertes matériels par suite des risques d'incendie, d'explosion, de brûlures, d'asphyxie ou d'intoxication oxycarbonée.

L'appareil doit uniquement être utilisé ou dépanné par des personnes étant capables d'assimiler et d'observer les instructions fournies.

Si vous avez besoin d'aide ou de renseignements – notice d'emploi ou étiquettes, par exemple – contactez The Coleman Co., Inc.

## DANGER



### • RISQUE D'EXPLOSION ET D'INCENDIE

- Ne rangez jamais le propane près de la chaleur, de flammes, de veilleuses, aux rayons directs du soleil, d'une source d'inflammation, ou dans un endroit où la température puisse dépasser 49 °C (120 °F).
  - Plus lourd que l'air, le propane s'accumule au ras du sol. Si vous sentez le gaz, éloignez-vous immédiatement de l'endroit.
  - Ne fixez ou détachez jamais la bouteille de gaz quand le réchaud est allumé, près de flammes, veilleuses, etc., ou s'il est chaud au toucher.
  - Le réchaud peut être une source d'inflammation quand il fonctionne.
- Ne l'utilisez pas dans les lieux qui contiennent ou peuvent contenir des substances combustibles volatiles ou en suspension dans l'air ainsi que des produits tels essence, solvants, dissolvants, particules de poussière ou produits chimiques indéterminés. Gardez ces produits à au moins 0,3 m (1 pi) des côtés et 1,2 m (4 pi) du dessus de l'appareil.
- Prévoyez des dégagements convenables autour des bouches d'air dans la chambre de combustion.

### AVERTISSEMENT

Ne convient pas à l'utilisation dans maisons ou véhicules de plaisance. Il nous est impossible de prévoir toutes les utilisations auxquelles puissent être soumis nos réchauds. **Consultez les autorités de sécurité incendie pour toute question quant à l'utilisation.**

D'autres normes régissent l'utilisation des produits qui génèrent des gaz combustibles ou de la chaleur à des fins spécifiques. Les autorités municipales compétentes vous renseigneront à ce sujet.

- N'essayez jamais de recharger les bouteilles de gaz jetables.
- Servez-vous du régulateur préréglé qui est fourni avec le réchaud. N'essayez pas de modifier l'ajustement.



### AVERTISSEMENT

- Cet appareil brûle le gaz propane, un gaz incolore, inodore et inflammable. Un odorisant est généralement incorporé au gaz pour lui conférer une odeur déplaisante « d'œuf pourri » et faciliter la détection des fuites. Étant donné que l'odorisant risque de s'estomper avec le temps, il serait insensé de compter uniquement sur son odorat pour détecter les fuites.
- Plus lourd que l'air, le gaz propane qui fuit s'accumule à ras du sol. Il peut être enflammé par des sources d'inflammation – allumettes, briquets, étincelles ou flammes nues, par exemple – éloignées de la fuite. Ne vous servez que de gaz propane destiné à être soutiré pour utilisation à l'état gazeux.
- Le propane doit être entreposé et utilisé conformément aux codes et règlements municipaux ou, faute de code, aux normes ANSI/NFPA 58 ou CAN/CGA B-149.2. Fermez le gaz entre utilisations.

#### PROPOSITION 65 DE LA CALIFORNIE :

AVERTISSEMENT: Le propane et les sous-produits de la combustion du propane contiennent des produits chimiques reconnus par l'État de la Californie comme pouvant causer le cancer, des malformations congénitales ou présenter d'autres dangers pour la reproduction.



### AVERTISSEMENT



#### • RISQUE DE BRÛLURES

- Ne laissez pas le réchaud sans surveillance à l'air libre, quand il fonctionne ou est chaud.
- Gardez le réchaud hors de la portée des enfants.



### DANGER



#### • RISQUE D'INTOXICATION OXYCARBONÉE

- Ce réchaud est un appareil à combustion. Tous les appareils à combustion génèrent de l'oxyde de carbone (CO). Cet appareil est conçu pour produire des quantités infimes et inoffensives de CO s'il est employé et entretenu conformément aux avertissements et instructions. Assurez-vous que le flux d'air ne soit jamais entravé vers le réchaud ou à partir du réchaud.
- Les symptômes de l'intoxication oxycarbonée rappellent la grippe: yeux larmoyants, maux de tête, vertiges, fatigue, voire mort. Incolore et inodore, le CO tue. En présence de ces symptômes lors de l'utilisation de l'appareil, **allez immédiatement au grand air.**
- **Cet appareil est uniquement destiné à l'air libre.**
- **N'utilisez jamais le réchaud dans les pièces fermées ou sans ventilation – il consomme l'oxygène de l'air. Pour ne pas risquer de mettre votre vie en danger, ne l'utilisez jamais dans habitations ou autres endroits sans ventilation ou fermés.**



### ATTENTION

#### • PAR MESURE DE SÉCURITÉ

- Gardez connexions et raccordements immaculés. Assurez-vous que la prise au robinet de la bonbonne soit propre.
- Lors de la mise en station, vérifiez les connexions et raccordements à l'eau savonneuse – jamais avec une flamme – pour détecter les fuites.
- N'employez l'appareil que pour cuisiner. Ne le modifiez pas et ne lui ajoutez pas de dispositifs ou de pièces, à moins que ceux-ci soient expressément conseillés par Coleman.
- Nettoyez régulièrement le réchaud pour éviter l'accumulation de graisse et tout risque de feux de friture.

## Assemblage



### DANGER



#### • RISQUE D'INTOXICATION OXYCARBONÉE

- Ce réchaud convient uniquement à l'air libre.
- Ne l'utilisez jamais dans les pièces fermées ou sans ventilation. Destiné au grand air, il consomme l'oxygène de l'air. Pour éviter tout danger, ne l'utilisez jamais dans les lieux clos ou sans ventilation.

**REMARQUE:** Utilisez les bouteilles jetables de propane Coleman de 465 g / 16,4 oz. Les bouteilles de GPL employées avec les réchauds doivent être fabriquées et porter les marquages lisibles, conformément aux exigences pour bouteilles de GPL du Ministère des Transports des États-Unis ou de la norme CAN/CSA B339 de *Transport Canada*.

■ Réglez le BOUTON DE COMMANDE à « arrêt ».



■ Enlevez le bouchon en plastique de la bouteille de propane; gardez-le pour ranger la bouteille.

■ Fixez la bouteille de propane au réchaud. Ne faussez surtout pas les filets. Serrez À LA MAIN seulement.



■ Placez convenablement la bouteille dans le pied.



### ATTENTION

#### • ENTRETIEN DE SÉCURITÉ

- Raccords et garnitures doivent être immaculés. Examinez la bouteille ainsi que le réchaud pour déceler tout dommage avant le raccordement.
- Lors de l'assemblage, vérifiez tous les raccordements, à l'eau savonneuse – jamais avec une flamme – pour déceler les fuites. Des bulles signalent une fuite.



## Allumage



### DANGER



#### • RISQUE D'EXPLOSION ET D'INCENDIE

- Plus lourd que l'air, le propane s'accumule au ras du sol. Si vous sentez le gaz, éloignez-vous immédiatement de l'endroit.
- Attachez et détachez toujours la cartouche à l'air libre, loin des flammes, veilleuses et autres sources d'inflammation; attendez pour ceci que le réchaud soit froid au toucher.
- Le réchaud devient très chaud pendant l'utilisation et peut enflammer les produits combustibles placés trop près du brûleur. Gardez ces produits à 0,3 m (1 pi) des côtés et 1,2 m (4 pi) du dessus. Éloignez en outre l'essence et les liquides et vapeurs inflammables de l'appareil.

## Allumage (suite)

### Allumage du modèle électronique :

- Placez sur une robuste surface plate. Ne convient qu'au plein air.
- Ouvrez la SOUPAPE jusqu'à ce que vous entendiez un déclic. Répétez au besoin si le brûleur ne s'allume pas du premier coup.



### Modèle à allumage par allumette :

- Placez sur une robuste surface plate. Ne convient qu'au plein air.
- Tenez une allumette enflammée au brûleur et ouvrez la COMMANDE.



- Réglez la flamme à l'aide du BOUTON DE COMMANDE.
- La flamme devrait être bleue, avec des bouts de pointes légèrement jaunes.



## AVERTISSEMENT



### • RISQUE DE BRÛLURES

- Ne laissez pas le réchaud sans surveillance à l'air libre, quand il fonctionne ou est chaud.
- Gardez le réchaud hors de la portée des enfants.

## Extinction

- Réglez le BOUTON DE COMMANDE à « arrêt ».





## Rangement

- Éloignez le réchaud des flammes (y compris des veilleuses) et de toute autre source d'inflammation.
- Séparez la bouteille de propane du réchaud.
- Remplacez le bouchon protecteur sur la bouteille de propane.



## **⚠ DANGER**



### • RISQUE D'EXPLOSION ET D'INCENDIE

- Ne rangez jamais le propane près de la chaleur, de flammes, de veilleuses, aux rayons directs du soleil, près d'une source d'inflammation ou dans un endroit où la température puisse dépasser 49 °C (120 °F).
- Les bonbonnes rechargeables de propane doivent toujours être entreposées à l'air libre, dans un endroit bien ventilé. Ne rangez jamais un tel réservoir de propane dans un lieu clos (maison, garage, ou autre). Si vous désirez rentrer le réchaud, détachez-le de la bonbonne et rangez cette dernière dehors.

## Nettoyage

- Nettoyez le réchaud avec un linge doux, humecté d'un nettoyeur domestique non abrasif.

## Renseignements essentiels

1. Il est dangereux et illégal dans certaines régions d'entreposer ou d'utiliser des bouteilles de gaz de pétrole liquéfié ayant une capacité d'eau de plus de 1,14 kg (2,5 lb) [environ 465 g (1 lb) de propane] dans les lieux habités.
2. Hors saison, si vous rangez vos articles de camping et de pique-nique au sous-sol, grenier ou garage, placez le réchaud dans un sac de plastique bien fermé par un caoutchouc pour qu'il ne s'empoussière pas et ne se recouvre pas de toiles d'araignées.
3. En cas de panne, composez l'un des numéros donnés sur la couverture pour obtenir l'adresse du centre de service Coleman le plus proche. S'il n'y a pas de centre près de chez vous, apposez une étiquette au produit sur laquelle vous inscrirez vos nom, adresse, numéro de téléphone le jour et la description du problème. Emballez soigneusement le produit et envoyez le colis **avec valeur déclarée**, par UPS ou par la poste, en port et **assurance** payés, à :

### **Pour les produits achetés aux États-Unis:**

The Coleman Company, Inc.  
3600 North Hydraulic  
Wichita, KS 67219

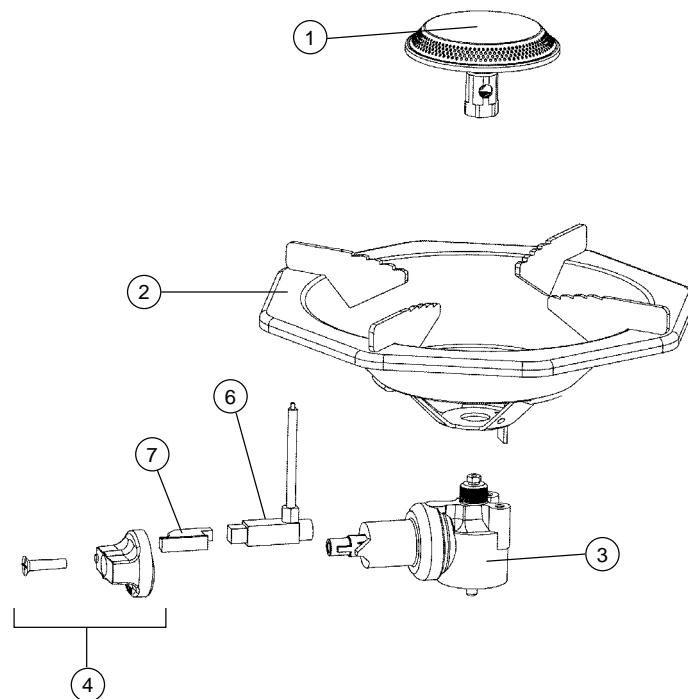
### **Pour les produits achetés au Canada:**

Sunbeam Corporation (Canada) Limited  
5975 Falbourn Street  
Mississauga, Ontario  
Canada L5R 3V8

4. Si vous n'êtes pas entièrement satisfait du rendement de ce produit, vous pouvez nous en faire part en appelant l'un des numéros indiqués sur la couverture.

# Nomenclature

N°	N° de pièce	Désignation	
1	5431-1321	Ensemble de l'allumeur (allumage par allumette)	
	5431-6341	Ensemble de l'allumeur (allumage électronique)	
2	5431-5101	Cuvette	
3	5431-5261	Ens. du régulateur	
4	5154A1491	Ens. du bouton	
5	R5431A647C	Pied	
6	5431-5851	Allumette	
7	5154-1101	Galet de came	(allumage électronique seul.)
			(allumage électronique seul.)





## Garantie limitée à vie de Coleman

The Coleman Company, Inc. (« Coleman ») garantit que tant que vous posséderez cet article, il sera exempt de vices de matériau et de fabrication. Coleman se réserve le droit de choisir entre réparer ou remplacer cet article ou toute pièce de celui-ci dont la défectuosité a été constatée au cours de la période de garantie. Le remplacement se fera au moyen d'un produit neuf ou remanufacturé ou bien d'une pièce neuve ou remanufacturée. Si l'article n'est plus disponible, il sera remplacé par un article semblable, de valeur égale ou supérieure. La présente constitue votre garantie exclusive.

Cette garantie n'est valable que pour l'acheteur au détail original à partir de la date de l'achat au détail initial et elle n'est pas transférable. Veuillez conserver le reçu d'achat original. La preuve d'achat est exigée pour tout service couvert par la garantie. Les concessionnaires Coleman, les centres de service et les détaillants qui vendent des articles Coleman n'ont pas le droit d'altérer, de modifier ou de changer d'une manière quelconque les modalités de cette garantie.

Cette garantie ne couvre pas l'usure normale des pièces ni l'endommagement attribuable à la négligence, l'utilisation abusive de l'article, le branchement sur un circuit de tension ou courant inapproprié, le non-respect du mode d'emploi, le démontage, la réparation ou l'altération par quiconque, sauf Coleman ou un centre de service Coleman agréé. Cette garantie ne couvre pas non plus les cas de force majeure comme incendies, inondations, ouragans et tornades.

Coleman décline toute responsabilité en cas de dommages accessoires ou indirects résultant du non-respect de toute garantie ou condition explicite ou implicite. Sauf dans la mesure interdite par la législation pertinente, toute garantie implicite de qualité commerciale ou d'application à un usage particulier est limitée à la durée de la garantie ou condition ci-dessus. Certains États et certaines provinces ou juridictions interdisent d'exclure ou de limiter les dommages accessoires ou indirects, ou ne permettent pas la limitation de la durée d'application de la garantie implicite, de sorte que vous pouvez ne pas être assujetti aux limites ou exclusions énoncées ci-dessus. Cette garantie vous confère des droits juridiques précis et vous pouvez avoir d'autres droits, ces droits variant d'un État ou d'une province à l'autre.

## COMMENT OBTENIR LE SERVICE PRÉVU PAR LA GARANTIE

Apportez l'article à un Centre de service agréé Coleman. Pour obtenir l'adresse du plus proche Centre de service agréé Coleman, appelez le 1 800 835-3278 ou le ATS 316-832-8707 aux États-Unis, ou bien le 1 800 387-6161 au Canada. S'il n'y a pas de centre de service facile d'accès, fixez une étiquette sur l'article précisant votre nom, votre adresse, votre numéro de téléphone le jour et la description de la défectuosité. Veuillez inclure une copie du reçu d'achat original. Emballez soigneusement l'article et expédiez-le par UPS ou par la poste, en **port et assurance payés**, à l'une des adresses suivantes :

Pour les produits achetés aux États-Unis :  
The Coleman Company, Inc.  
3600 North Hydraulic  
Wichita, KS 67219

Pour les produits achetés au Canada :  
Sunbeam Corporation (Canada) Limited  
5975 Falbourne Street  
Mississauga, Ontario  
Canada L5R 3V8

N'envoyez pas de produits dont le réservoir contient du carburant ou bien auxquels soit fixée une bouteille jetable de propane.

**NE RETOURNEZ PAS CE PRODUIT AU LIEU D'ACHAT.**

Si vous avez toute question quant à cette garantie, veuillez composer le 1 800 835-3278 ou le ATS 316-832-8707 aux États-Unis, et le 1 800 387-6161 au Canada.



# Estufa de gas propano

## INSTRUCCIONES DE USO

© 2003 The Coleman Company, Inc.

[www.coleman.com](http://www.coleman.com)

### IMPORTANTE

Lea este manual cuidadosamente antes de ensamblar, usar o reparar esta estufa. Guarde este manual para uso de referencia en el futuro. Si tiene alguna pregunta acerca del ensamblaje, uso, compostura o reparaciones a la estufa, favor de llamar a Coleman al 1-800-835-3278 o TDD: 316-832-8707. En Canada llame al 1-800-387-6161.



Modelo Serie 5431A



ANS Z21.72b-CSA 11.2b (2002) Estufa de campamento

## Contenido

Información General de Seguridad	Para Limpiar
Para Armar	Cosas Que Usted Debe Saber
Para Encender	Lista de Piezas
Para Apagar	Garantía
Para Almacenar	

## Información General de Seguridad

### PARA SU SEGURIDAD

Si usted huele gas:

1. No intente encender el dispositivo.
2. Extinga cualquier llama abierta.
3. Desconecte el supridor de combustible.



### PELIGRO



- **RIESGO DE MONOXIDO DE CARBONO**
- Este dispositivo puede producir monóxido de carbono el cual no tiene olor.
- Si lo usa en un lugar cerrado puede causar su muerte.
- Nunca use este dispositivo en un lugar cerrado como lo es un camper, tienda de campaña, carro o en la casa.

## Información General de Seguridad *cont.*

### PARA SU SEGURIDAD

**No almacene o use gasolina u otros líquidos que contengan vapores inflamables cerca de esta estufa o algún otro dispositivo.**

Este manual contiene información muy importante acerca del ensamble, operación y mantenimiento de estas estufas de propano. Información general de seguridad es presentada en las primeras páginas de este manual y también está localizada a través del mismo manual. Preste particular atención a la información que está acompañada de los símbolos de seguridad de alerta: “▲ PELIGRO (DANGER)”, “▲ ADVERTENCIA (WARNING)”, “▲ CUIDADO (CAUTION)”.

Guarde este manual como referencia para ser usado en el futuro y para educar todo usuario sin experiencia acerca de este producto. Este manual debe ser leído en conjunto con la etiqueta del producto.

Las precauciones de seguridad son esenciales cuando cualquier equipo mecánico o que requiere combustible de propano esté envuelto. Estas precauciones son necesarias para el uso, almacenamiento o compostura. Si usa este producto con el respeto y cuidado aquí demandado podrá reducir las posibilidades de lesiones a la persona o daño a la propiedad.

Los símbolos ilustrados abajo y en la página 23 son usados extensivamente a través de este manual. Siempre preste atención a estas precauciones, ya que son esenciales con el uso de cualquier equipo mecánico o que requiere combustible.

## Información General de Seguridad cont.

### PELIGRO

PELIGRO indica una situación peligrosa inminente la cual, si no es prevenida, resultará en muerte o lesiones serias.

### ADVERTENCIA

ADVERTENCIA indica una probable situación peligrosa la cual, si no es prevenida, resultará en muerte o lesiones serias.

### CUIDADO

CUIDADO indica una probable situación peligrosa la cual, si no es prevenida, puede resultar en lesiones menores o moderadas o en daño a la propiedad.

### PELIGRO

Si no cumple con las precauciones y las instrucciones proveídas con esta estufa podría causarle la muerte, lesiones graves a su cuerpo y daños o pérdidas a la propiedad debido a riesgos de fuego, explosiones, quemaduras, asfixia y/o envenenamiento con monóxido de carbono.

Solo personas que comprendan y sigan las instrucciones deben usar o darle servicio a estas estufas.

Si usted necesita asistencia o información sobre la estufa como manual de instrucciones o etiquetas, comuníquese con la Compañía Coleman, Inc.

### PELIGRO



#### • EXPLOSION - RIESGO DE FUEGO

- Nunca almacene el propano cerca de calor intenso, llamas, mechas de piloto, luz del sol directa, otras fuentes de encendido o donde la temperatura exceda 120 grados F (49°C).
- El propano es más pesado que el aire y se acumula en lugares bajos. Si usted huele gas, abandone el lugar inmediatamente.
- Nunca instale o quite el tanque de propano mientras la estufa esté encendida, cerca de llamas, mechas de piloto, otras fuentes de encendido o mientras la estufa esté caliente al tacto.
- Durante su uso, este producto puede ser una fuente de encendido. Nunca use la estufa en espacios que contengan o que puedan contener combustible volátil o transmitido por el aire, o productos como la gasolina, solventes, removedor de pintura, partículas de polvo o químicos desconocidos. Margen de espacio mínimo de materiales combustibles: .31 m (un pie) de los lados y 1.22 m (cuatro pies) de la parte superior.
- Provea un margen de espacio adecuado alrededor de las aperturas de aire que van a la cámara de combustión.

### ADVERTENCIA

No para el uso en la casa o en vehículo recreativo.

No podemos prever cada uso lo cual se podría hacer con esta estufa de cocinar. **Verifique con su local autoridad de seguridad sobre fuegos si tenga preguntas sobre el uso.**

Otros estandares determinan el uso de combustibles y de productos que producen calor para usos especificos. Sus autoridades locales pueden aconsejarle con estos.

- Nunca rellene los tanques desechables.
- Use el regulador ya fijado que viene con la estufa. No intente ajustarlo.



### PELIGRO



#### • RIESGO DE MONOXIDO DE CARBONO

- Esta estufa es un aparato de combustión. Todos los aparatos de combustión producen monóxido de carbono (CO) durante el proceso de combustión. Este producto está diseñado para producir cantidades de CO extremadamente diminutas y no peligrosas cuando es usado y mantenido de acuerdo a todas las advertencias e instrucciones. No bloquee el flujo de aire dentro o afuera de la estufa de cocinar.
- El envenenamiento con Monóxido de Carbono (CO) produce síntomas parecidos a la gripe, ojos aguados, dolores de cabeza, mareos, fatiga y posiblemente la muerte. Usted no puede verlo u olerlo. Es un asesino invisible. Si alguien experimenta alguno de estos síntomas durante el uso de este producto **busque aire fresco inmediatamente!**
- Para uso al aire libre solamente.
- **Nunca use dentro de la casa, o cualquier otra área sin ventilación o cerrada. Esta estufa de cocinar consume aire (oxígeno). No la use en áreas sin ventilación o cerradas para prevenir poner en peligro su vida.**



### ADVERTENCIA

- Este producto utiliza combustible de gas propano. El gas propano es invisible, no tiene olor y es inflamable. Normalmente, un odorante es añadido al gas para ayudar a detectar escapes y este olor puede ser descrito como un olor a "huevo podrido". El odorante se puede disipar con el tiempo de modo que un escape de gas no siempre se puede detectar por el olor solamente.
- El gas propano es más pesado que el aire y escapes de propano descenderán al nivel más bajo del suelo posible. Puede encenderse con fuentes de encendido incluyendo fósforos, encendedores, chispas o llamas abiertas de cualquier tipo aunque estén a muchos metros de distancia del escape original. Use solamente gas propano preparado para separación de vapor.
- El gas propano debe ser almacenado y usado en conformidad con las ordenanzas y códigos locales o con "ANSI/NFPA 58". Apague el propano cuando no lo esté usando.

### PROPOSICION DE CALIFORNIA 65:

ADVERTENCIA: Propano y productos derivados de combustión de propano contienen químicos conocidos en el estado de California de ser causantes de cáncer, defectos de parto, u otros daños reproductivos.



### ADVERTENCIA



#### • RIESGO DE QUEMADURAS

- Nunca deje la estufa desatendida cuando está caliente o cuando la está usando.
- Mantenga alejada del alcance de los niños.



### CUIDADO

#### • SEGURIDAD DE SERVICIO

- Mantenga todas las conexiones y los encajes limpios. Verifique que el cilindro de propano y las conexiones de la estufa propana no tengan daño antes de atarlos.
- Durante el montaje, verifique que las conexiones y los encajes no tengan escapes usando agua con jabón. Nunca use una llama. La presencia de burbujas indica un goteo. Verifique que la conexión no esté mal enroscada y que esté apretada bien. Conduzca otra prueba de goteos. Si todavía existe un goteo, quite el cilindro y póngase en contacto con Coleman para servicio o reparaciones.
- Use como aparato para cocinar solamente. Nunca altere de ningún modo o use con algún dispositivo o pieza que no sea expresamente aprobado por Coleman.
- Limpie la estufa con frecuencia para evitar la acumulación de grasa y la posibilidad de fuegos de grasa.



## Para Armar

### PELIGRO



#### • RIESGO DE MONOXIDO DE CARBONO

- Para uso al aire libre solamente.
- Nunca use dentro de la casa, u otras áreas sin ventilación o cerradas. Esta estufa para el aire libre consume aire (oxígeno). No la use en áreas sin ventilación o cerradas para prevenir poner en peligro su vida.

**NOTA:** Use los cilindros Coleman 16.4 oz. de propano que son disponibles. Los cilindros de gas LP que son usados con las estufas deben que ser contruidos y marcados de acuerdo con las especificaciones para los cilindros de gas LP desde el Departamento de Transportación de E.U.A. o el *Transporte de Canadá, CAN/CSA B339.*

- Gire la VALVULA DE COMBUSTIBLE a "off" (apagado).



- Remueva la tapa protectora en el cilindro de propano. Guarde la tapa para usarla en el almacenamiento.



- Enrosque el cilindro de propano a la estufa. Tenga cuidado en no enroscarlo torcido. APRIETE A MANO solamente.

- Ponga el cilindro securamente en la base de la estufa.

### CUIDADO

#### • SEGURIDAD DE SERVICIO

Mantenga todas las conexiones y los encajes limpios. Exámine las conexiones del tanque de gas y del combustible de la estufa para daño antes de atarlos.

Durante el montaje, verifique que las conexiones y los encajes no tengan escapes usando agua con jabón. La presencia de burbujas indica un goteo. Nunca use una llama.



## Para Encender

### PELIGRO



#### • EXPLOSION - RIESGO DE FUEGO

- El propano es más pesado que el aire y se acumula en lugares bajos. Si usted huele gas, abandone el lugar inmediatamente.
- Siempre ate o separe el tanque afuera, de distancia del fuego, mechas de piloto, o otras fuentes de encendido y solamente cuando la estufa se enfríe bastante al tacto.
- Esta estufa se pone al rojo vivo durante el uso y puede encender cualquier material inflamable que esté cerca del quemador. Mantenga materiales inflamables a una distancia de por lo menos .30 cm (12") de los lados y 1.2 m (48") del tope. Mantenga gasolina y otros líquidos y vapores inflamables muy alejados de la estufa para el aire libre.

## Para Encender *cont*

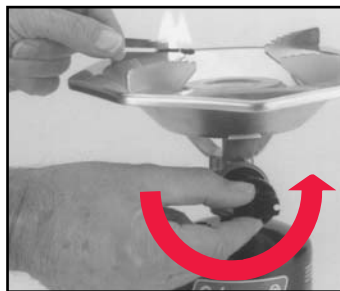
### Modelo de Encendido Electrónico:

- Cóloquela en una superficie plana y segura. Para uso al aire libre solamente.
- Abra la VALVULA DE COMBUSTIBLE completamente hasta que haga un chasquido. Si el quemador no enciende con el primer chasquido, repita el procedimiento.



### Modelo de encendido con fósforos:

- Cóloquela en una superficie plana y segura. Para uso al aire libre solamente.
- Sostenga el fósforo encendido frente al quemador y abra la VALVULA DE COMBUSTIBLE.



- Ajuste la llama al calor deseado con la VALVULA DE COMBUSTIBLE.
- La llama debe ser azul con un poco de amarillo en las puntas.



## ADVERTENCIAS



### • RIESGO DE QUEMADURAS

- Nunca deje la estufa para el aire libre desatendida cuando está caliente o cuando la está usando.
- Mantenga alejada del alcance de los niños.

## Para Apagar

- Gire la VALVULA DE COMBUSTIBLE a "off" (apagado).



## Para Almacenar

- Mueva la estufa a un lugar lejos de llamas (incluyendo llamas piloto) y otras fuentes de ignición.
- Quite el cilindro de propano de la estufa.
- Coloque la tapa protectora al cilindro de propano.



## ! PELIGRO



### • EXPLOSION - RIESGO DE FUEGO

- Nunca almacene el propano cerca de calor intenso, llamas, mechas de piloto, luz del sol directa, otras fuentes de encendido o donde la temperatura exceda 120 grados F (49°C).
- Los tanques de propano recargables siempre deben almacenarlos al aire libre en un espacio bien ventilado. Nunca almacene el tanque de propano en una área cerrado (casa, garage, etc.). Si la estufa está almacenada afuera, desconecte el tanque de propano para almacenarlo al aire libre.

## Para Limpiar

- Limpie con un paño suave y detergente ligero de uso doméstico. No utilice productos abrasivos.

## Cosas que Usted Debe Saber

1. Es peligroso, e ilegal en algunos lugares, almacenar o utilizar cilindros de propano líquido con capacidad de más de 1,14 kg (2,5 libras) de agua [aproximadamente 465 g (1 libra) de propano] en habitaciones cerradas.
2. Los sitios comunes para guardar equipos de campamento y "picnic" son el sótano, ático y garage. A fin de evitar la acumulación de polvo, telarañas, etc., que son comunes en estas áreas, guarde su estufa en una bolsa de plástico y séllela con una banda elástica.
3. Para contactar el Centro de Reparación Coleman más cercano, llame a uno de los números que aparecen en la tapa de frente. Si un centro de reparación no está convenientemente situada, sujete una tarjeta al producto incluyendo su nombre, dirección, número de teléfono por día y una descripción del problema. Empaquete cuidadosamente el producto y envíelo o por UPS o por el Servicio de Paquetes Postales con **gastos** envío y **seguro** prepagados a:

### Para productos comprados en los Estados Unidos:

The Coleman Company, Inc.  
3600 North Hydraulic  
Wichita, KS 67219

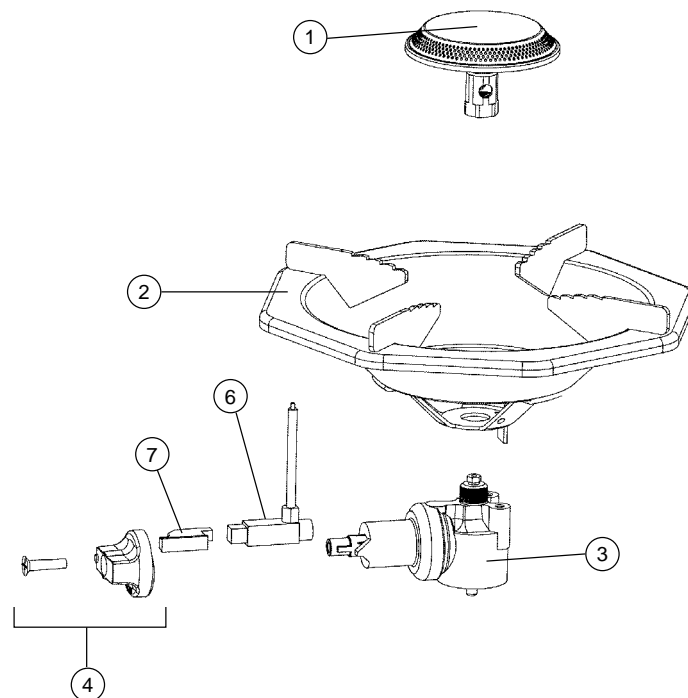
### Para productos comprados en Canadá:

Sunbeam Corporation (Canada) Limited  
5975 Falbourn Street  
Mississauga, Ontario  
Canada L5R 3V8

4. Si no está completamente satisfecho con el funcionamiento de este producto, llame por favor a uno de los números que aparecen en la portada de este manual.

## Lista de piezas

No.	No. de pieza	Descripción
1	5431-1321	Ens. del Quemador (encendido con fósforos)
	5431-6341	Ens. del Quemador (encendido electrónico)
2	5431-5101	Tazon de quemador
3	5431-5261	Ens. del Regulador
4	5154A1491	Ensamblaje de la perilla
5	R5431A647C	Base
6	5431-5851	Unidad del Encendedor (encendido electrónico solamente)
7	5154-1101	Seguidor del Leva (encendido electrónico solamente)





## Garantía Por Vida Limitada de Coleman

La Compañía Coleman, Inc. ("Coleman") garantiza que por el período que usted sea dueño de este producto, este estará libre de defectos de material y construcción. Coleman, a su discreción, reparará o reemplazará este producto o cualquier componente del producto que esté defectuoso durante el período de la garantía. Cualquier reemplazo será hecho con un producto o componente nuevo o refabricado. Si el producto no se encuentra disponible, el reemplazo se podrá hacer con un producto similar de igual o mayor valor. Esta es su garantía exclusiva.

Esta garantía es válida para el comprador original desde la fecha de la compra inicial y no es transferible. Guarde su recibo de compra. Prueba de recibo de compra es requerido para obtener ejecución de la garantía. Los comerciantes de Coleman, centros de servicio o las tiendas al por menor que venden productos Coleman no tienen el derecho de alterar, modificar o cambiar de ninguna otra manera los términos y condiciones de esta garantía.

Esta garantía no cubre el desgaste normal de las piezas o cualquier daño que resulte por lo siguiente: uso negligente o abuso del producto, uso incorrecto de voltaje o corriente, uso contrario a las instrucciones de operación, desmontaje, reparación o alteración por cualquiera que no sea Coleman o un centro de servicio autorizado. Además, esta garantía no cubre actos de fuerzas mayores, tal como lo son fuego, inundaciones, huracanes y tornados.

Coleman no será responsable por ningún daño incidental o consiguiente ocasionado por la violación de cualquier garantía o condición implicada o expresada. Con excepción al límite de lo que provee la ley aplicable, cualquier garantía implicada de comercio o adaptación para un uso en particular es limitada en su duración a la duración de la garantía arriba mencionada. Algunos estados, provincias o jurisdicciones no permiten la exclusión o limitación de daños incidentales o consiguientes o limitaciones referente a cuánto una garantía limitada debe durar, por lo tanto las limitaciones o exclusiones arriba mencionadas puede que no sean aplicables a usted. Esta garantía le provee derechos legales específicos, y además puede que usted tenga otros derechos que varían de estado a estado o de provincia a provincia.

## COMO OBTENER SERVICIOS DE GARANTIA

Lleve el producto a un centro de servicio Coleman autorizado. Usted puede localizar su centro de servicio Coleman más cercano llamando al número 1-800-835-3278 o al TDD 316-832-8707 en los Estados Unidos o al 1-800-387-6161 en Canadá. Si no encuentra un centro de servicio convenientemente localizado, adhiera una etiqueta al producto que incluya su nombre, dirección, número de teléfono y una descripción del problema. Incluya una copia del recibo de compra original. Empaque el producto cuidadosamente y envíelo por correo o por "UPS" con seguro y porte pagado a:

Para productos comprados en los Estados Unidos:  
The Coleman Company, Inc.  
3600 North Hydraulic  
Wichita, KS 67219

Para productos comprados en Canadá:  
Sunbeam Corporation (Canada) Limited  
5975 Falbourn Street  
Mississauga, Ontario  
Canada L5R 3V8

No envíe productos con combustible en los tanques, o con cilindros de propano desechables.

**NO DEVUELVA ESTE PRODUCTO AL LUGAR DONDE LO COMPRO.**

Si usted tiene alguna pregunta sobre esta garantía favor de llamar al 1-800-835-3278 o al TDD 316-832-8707 en los Estados Unidos o al 1-800-387-6161 en Canadá.





The Coleman Co., Inc. • 3600 N. Hydraulic • Wichita, KS 67219 U.S.A.  
1-800-835-3278 • TDD: 316-832-8707

Sunbeam Corporation (Canada) Limited • 5975 Falbourne Street  
Mississauga, Ontario Canada L5R 3V8 • 1 800 387-6161

©2003 The Coleman Company, Inc. All rights reserved.  
Coleman® is a registered trademark of The Coleman Company, Inc.

©2003 The Coleman Company, Inc. Tous droits réservés.  
Coleman® est une marque déposée de The Coleman Company, Inc.

©2003 The Coleman Company, Inc. Derechos Reservados.  
Coleman® es una marca registrada de la Compañía Coleman, Inc.



## Free Manuals Download Website

<http://myh66.com>

<http://usermanuals.us>

<http://www.somanuals.com>

<http://www.4manuals.cc>

<http://www.manual-lib.com>

<http://www.404manual.com>

<http://www.luxmanual.com>

<http://aubethermostatmanual.com>

Golf course search by state

<http://golfingnear.com>

Email search by domain

<http://emailbydomain.com>

Auto manuals search

<http://auto.somanuals.com>

TV manuals search

<http://tv.somanuals.com>