

Before you begin

- Read all instructions before set up.
- Select a level site clear of rocks, branches, and other hard or sharp objects, to install your tent.
- ⚠ **WARNING: Keep clear of overhead power lines.**
- Do not set up your tent under trees because of potential lightning strikes or falling tree limbs in inclement weather.
- Secure with all stakes and guylines provided to prevent property damage or personal injury.
- For best results in windy conditions, position narrow end of tent into the wind.
- Do not drop tent.
- Do not bounce tent bag on its end to remove tent, as these actions may damage the frame.
- THIS RECREATIONAL PRODUCT REQUIRES A MINIMUM OF TWO PEOPLE TO ASSEMBLE.
- Under no circumstances should this product be used to cover automobiles, marine products or similar items.

CAUTION: Avoid pinch points when opening and closing the tent frame.

Description	Repair Kit	Description	Repair Kit
Plastic Clip 16 mm	5010000845	Plastic Corner Joint	5010000851
Plastic Clip 20 mm	5010000846	Fabric Joint Cover	5010000856
Fabric Repair Kit	5010000852		

1 Extend the Tent Frame

- Stand the tent upright with the hub assembly at the top. (Fig. 1)
- Unfold the arms of the tent downward until they lay flat on the ground. (Fig. 2)

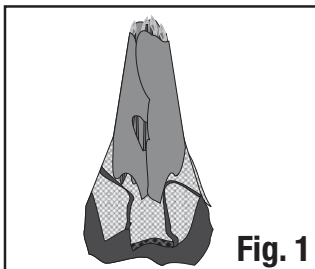


Fig. 1

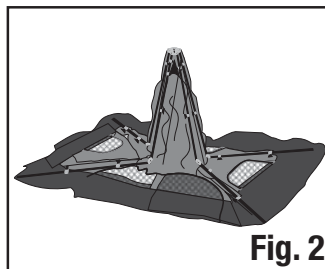


Fig. 2

2 Raise the Tent

- Unfold the arm joints located at each of the tent corners. The tent will raise as the leg poles are extended. (Fig. 3 and 4)
- Extend each of the telescoping leg poles until they snap into place. (Fig. 5 and 6)

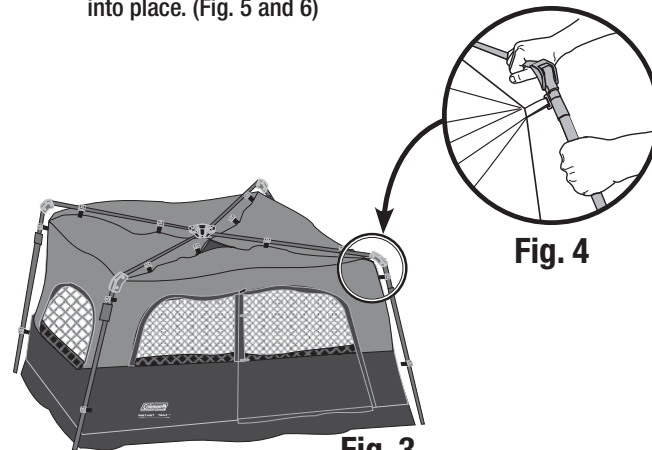


Fig. 3

Fig. 4

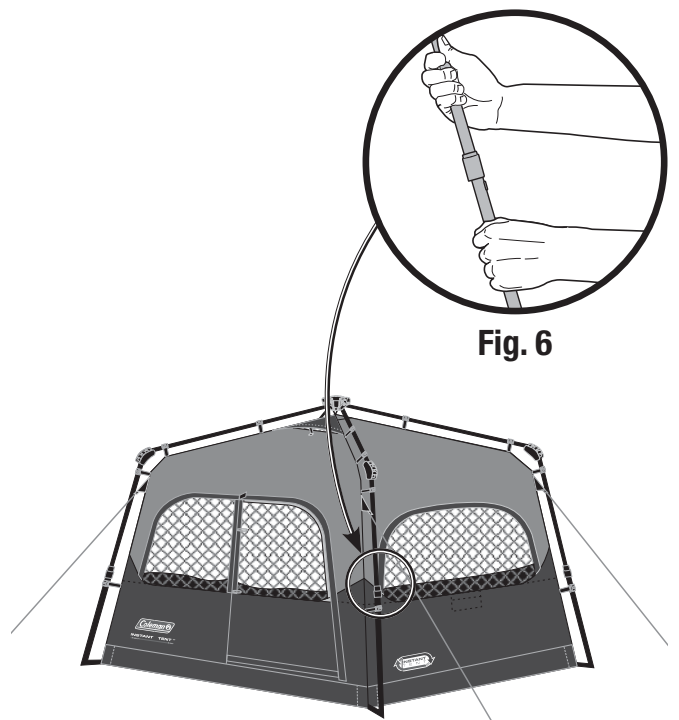


Fig. 5

Fig. 6

3 Verify Connections between Tent and Frame Poles

- Verify the clips along the edges of the tent are properly attached to the frame poles. (Fig. 7 and Fig. 8)

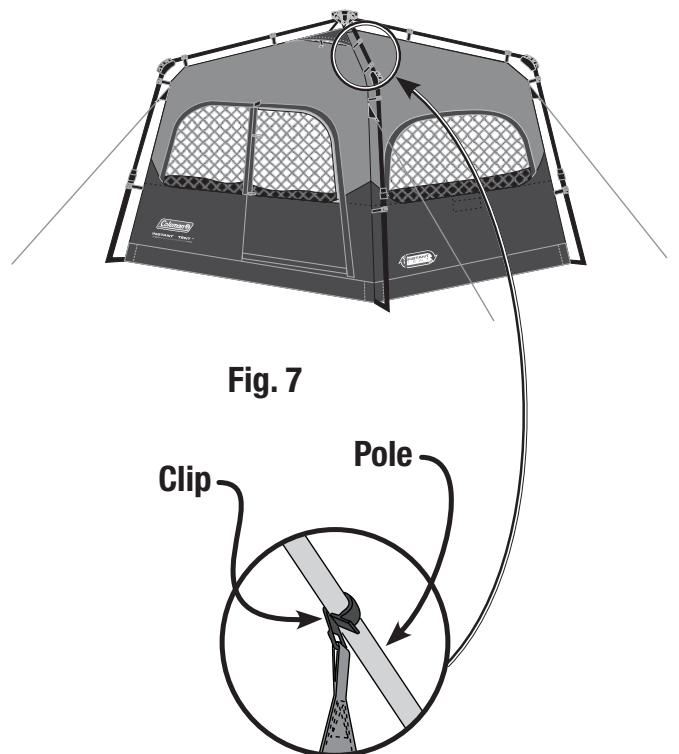


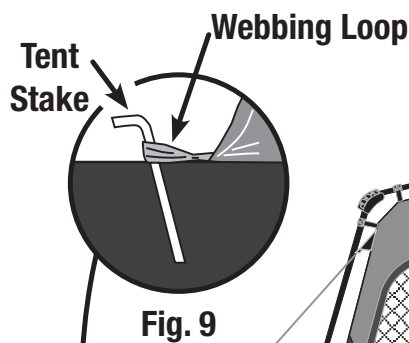
Fig. 7

Fig. 8

(continued on other side)

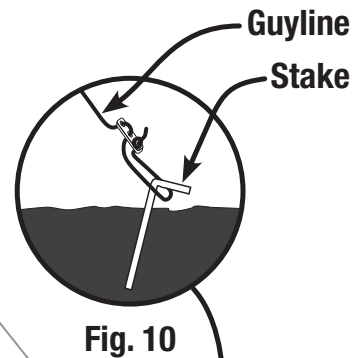
4 Stake the Tent

- Secure tent by driving stakes through the webbing loops sewn to the tent base. (Fig. 9)
- Keep the floor taut.



5 Secure the Guylines

- Attach and stake out guylines. (Fig. 10)
- Adjust sliders to make guylines tight.



6 Disassembly

To take down the tent, follow the previous steps and illustrations in the reverse order:

- Remove guylines and stakes. (Fig. 10 and 9)
- Lower the frame one leg pole at a time by pushing the lock buttons and collapsing the telescoping leg poles. (Fig. 6)
- Fold the arm joints located at each of the tent corners. (Fig. 4)
- Collapse the tent by folding the arms upward until the tent stands upright with the hub assembly at the top. (Fig. 2 and 1)
- Place the tent in the carry bag for storage.

TIP: After collapsing the tent, place it on its side, then roll it multiple times with pressure to reduce its size. This will allow the unit to slip into the carry bag.

7 To Store

1. All stakes must be placed in the storage bag to prevent damage to the fabric items placed in the carry case.
2. Make sure all components are clean and dry before placing in carry case.
3. Store in a clean, dry area.

Things You Should Know:

- Under certain conditions (cold weather, high humidity, etc.) condensation will form on the inside of your shelter. Condensation is caused by water vapor from your breath, perspiration, or any wet clothing inside the shelter. It is NOT LEAKAGE through the shelter fabric.
- Tree limbs, tree sap, bird droppings, or moisture steadily dripping off tree limbs can cause damage to the shelter fabric and its coating resulting in leaks or loss of flame-resistant properties.
- Never store tent, even for a short period of time, without drying it thoroughly and brushing off caked dirt. Do not pack stakes inside your tent. Use a separate storage bag.
- Stakes should be removed by pulling on the stake itself. NEVER PULL ON THE TENT TO REMOVE STAKES AS THIS COULD RESULT IN PROPERTY DAMAGE OR PERSONAL INJURY.
- Do not leave your tent set-up for weeks at a time. Be aware that exposure to ultraviolet rays from the sun can seriously damage material and/or cause it to become discolored.
- This product is not intended to be used during heavy rain, wind, hail, snow or other inclement weather. Excess water build-up can cause the frame system to become unstable, and possibly collapse, causing injury.

- The tent should be taken down and placed in storage during windy conditions to avoid damage to product or personal injury.
- DO NOT use gas or flame sources under or near this product.

⚠ WARNING: KEEP ALL FLAME AND HEAT SOURCES AWAY FROM THIS TENT FABRIC.

This tent meets the flammability requirements of CPAI-84. The fabric may burn if left in continuous contact with any flame source. The application of any foreign substance to the tent fabric may render the flame-resistant properties ineffective.



The Coleman Company, Inc. • 3600 North Hydraulic • Wichita, Kansas 67219 U.S.A.
1-800-835-3278 • www.coleman.com

MADE IN CHINA

© 2010 The Coleman Company, Inc. All rights reserved.
Coleman®, Coleman®, and are registered trademarks of
The Coleman Company, Inc.

4010009473 (20100909)

Free Manuals Download Website

<http://myh66.com>

<http://usermanuals.us>

<http://www.somanuals.com>

<http://www.4manuals.cc>

<http://www.manual-lib.com>

<http://www.404manual.com>

<http://www.luxmanual.com>

<http://aubethermostatmanual.com>

Golf course search by state

<http://golfingnear.com>

Email search by domain

<http://emailbydomain.com>

Auto manuals search

<http://auto.somanuals.com>

TV manuals search

<http://tv.somanuals.com>