



Getting Started

Compaq Notebook Series

Document Part Number: 307502-001

October 2002

This guide explains how to set up your hardware and software, begin using the notebook, identify hardware components, and contact Compaq if you need assistance.

© 2002 Compaq Information Technologies Group, L.P.

Compaq, the Compaq logo, Evo, and Presario are trademarks of Compaq Information Technologies Group, L.P. in the U.S. and/or other countries. Microsoft and Windows are trademarks of Microsoft Corporation in the U.S. and/or other countries. All other product names mentioned herein may be trademarks of their respective companies.

Compaq shall not be liable for technical or editorial errors or omissions contained herein. The information is provided "as is" without warranty of any kind and is subject to change without notice. The warranties for Compaq products are set forth in the express limited warranty statements accompanying such products. Nothing herein should be construed as constituting an additional warranty.

Getting Started

First Edition October 2002

Reference Number 800/3000

Document Part Number: 307502-001

Using This Guide

This preface explains how to interpret the symbols, text styles, and paths in your notebook documentation.

Warnings, Cautions and Notes

Warnings and cautions contain important information that can protect you, your work, and your system.

Notes contain additional information about a topic. Some notes provide basic information for inexperienced users. Others provide technical information for advanced users.

The following icons identify warnings, cautions, and notes.



WARNING: The information in a warning alerts you to potential bodily harm or loss of life.



CAUTION: The information in a caution alerts you to potential damage to your work, your notebook, or an optional external device.



The information in a note provides supplementary information for inexperienced or advanced users.

Text Styles

Some text in your notebook documentation is styled typographically to help you interpret the information it contains. The following table explains the text styles used in your notebook documentation.

Style	Explanation
keys	<p>Identifies a key, such as the enter key, on the notebook keyboard or on an optional external keyboard.</p> <p>A plus sign (+) between 2 or more keys indicates that they are a key combination. To use most key combinations:</p> <ul style="list-style-type: none">■ Press and hold the first key, press and hold each succeeding key, then release all the keys at the same time.■ Unless you are instructed to do so, do not press the keys in a key combination simultaneously.
commands	<p>Identifies characters you are asked to type. For example, to visit the Compaq Web site, you are asked to type <code>http://www.compaq.com</code> into the address field on your Web browser.</p>
Initial Capital Letters	<p>Identify labels or options you can choose on the screen. For example, in a procedure for displaying an icon on the taskbar, you might be asked to select the Always Show Icon On The Taskbar check box.</p>

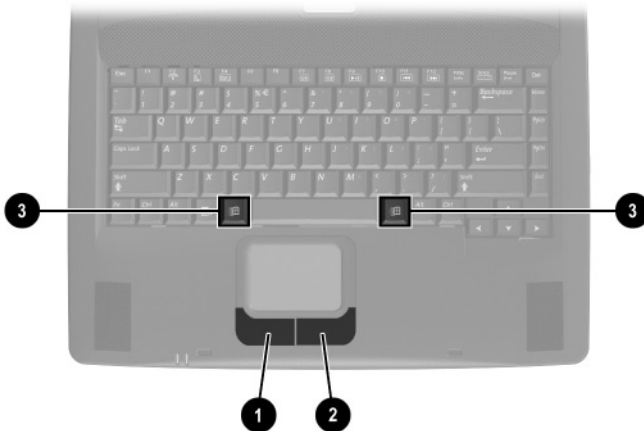
Following a Path

Instructions in documentation may direct you to a destination within the operating system, an application, or a utility where you can select settings. The greater than symbol (>) is used to direct you along the path to the settings.

The paths described in your notebook documentation are based on the notebook pointing device default functions:

- To select, press the left TouchPad button ❶ once.
- To double-click, press the left TouchPad button twice.
- To right-click, press the right TouchPad button ❷ once.

Most paths to Windows destinations begin with “Start >.” To select Start (and display the Windows Start menu), select the Start button in the lower left corner of your screen or press either of the Microsoft logo keys ❸ on the keyboard.



***Identifying TouchPad buttons and Microsoft logo keys
(Key locations and availability vary by region and model.)***

Contents

Using This Guide

1 Setting Up the Notebook

Setting Up the Hardware	1-1
Inserting a Battery Pack.	1-2
Opening the Notebook.	1-3
Connecting the Notebook to External Power	1-4
Turning On the Notebook	1-6
Setting Up the Software	1-7
Turning Off the Notebook	1-8
Protecting the Notebook from Power Surges.	1-8
Obtaining Ergonomic and Safety Information.	1-9

2 Beginning to Use the Notebook

Selecting Regional Settings	2-1
Selecting Screen Settings	2-1
Protecting the Notebook Against Viruses	2-2
Obtaining Modem and Network Information	2-2
Installing Optional Software	2-3
Using the Documentation Library CD.	2-4
Inserting the Documentation Library CD	2-4
Accessing the Documentation Library Menu	2-5
Selecting a Guide.	2-6
Finding a Topic Within a Guide	2-7

- Contacting Compaq 2-8
 - Using Compaq Help & Support. 2-8
 - Obtaining Support Telephone Numbers 2-8
 - Preparing to Call Technical Support 2-8
 - Taking the Notebook to a Service Provider. 2-9

3 Hardware Components

- Display 3-1
- Pointing Device and Speakers 3-2
- Top 3-3
 - Power/Standby Light, Battery Light and Vent 3-3
 - Panel Lights 3-4
 - Power Controls 3-5
 - Keys 3-6
- Rear Panel 3-7
 - Connectors and Infrared Port. 3-7
 - Jacks, Fan and Vent. 3-8
- Left Side 3-9
- Right Side 3-10
 - Volume Buttons and Audio Jacks 3-10
 - Optical Drive and PC Card Slot 3-11
- Underside 3-12
 - Battery Bay and Hard Drive Bay. 3-12
 - Memory Compartment and Vent. 3-13
 - Labels. 3-14
- Additional Standard Components 3-15
 - Software Restore and Documentation CDs. 3-15
 - Cables and Cord. 3-16
 - Adapters and Battery Pack 3-17

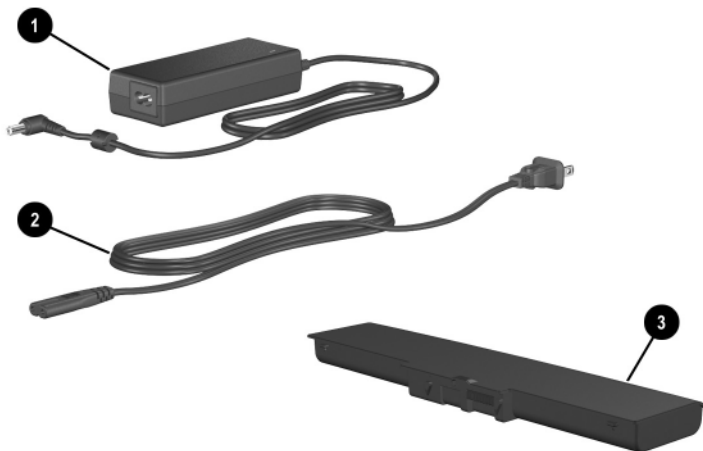
Index

Setting Up the Notebook

Setting Up the Hardware

To set up the notebook for the first time, you need the notebook, the AC adapter ❶, and the power cord ❷. If a battery pack shipped with your notebook, you will also need the battery pack ❸. During the hardware setup, you will:

1. Insert the battery pack, if available, so the battery can begin to charge.
2. Open the notebook so you can monitor indicator lights during setup.
3. Connect the notebook to external power and turn on the notebook so you can begin software setup.



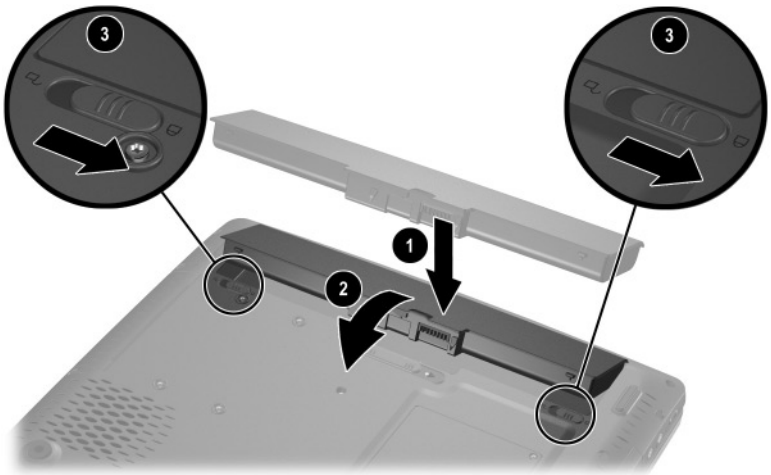
Identifying the AC adapter, the power cord, and a battery pack (AC adapters and power cords vary by region.)

Inserting a Battery Pack

If your notebook shipped without an optional battery pack, proceed to the next section, “Opening the Notebook.”

If your notebook shipped with a battery pack:

1. Turn the notebook underside up on a flat surface.
2. Lower the battery pack into the battery bay at a slight angle ❶, then press downward until the battery pack is seated ❷.
3. Slide the 2 battery pack locking latches to the locked position ❸.



Installing a battery pack



CAUTION: To ensure that the correct drivers load and to prevent file corruption or damage to components during initial setup, do not remove the battery pack until the notebook has been connected to external AC power.

Opening the Notebook

To open the notebook:

1. Place the notebook display side up on a flat surface near an electrical outlet.
2. Slide the display release latch **1** as you raise the display **2**.



Opening the notebook

Connecting the Notebook to External Power

To connect the notebook to external power:

1. Plug the AC adapter cable into the AC power connector ❶.
2. Plug the power cord into the AC adapter ❷, then into an electrical outlet ❸.

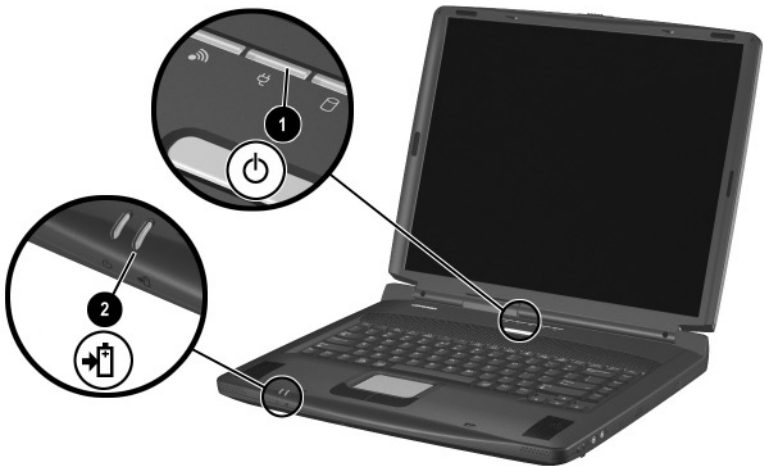


Connecting the notebook to external power (AC adapters, power cords, and outlets vary by region.)

When the notebook receives AC power:

- The AC adapter light ❶ turns on.
- An inserted battery pack begins to charge. The battery light ❷ turns on when the battery pack begins to charge and turns off when the battery pack is fully charged.

Compaq recommends that you leave the notebook connected to external power until the battery pack is fully charged and the battery light turns off. (A partially charged new battery pack can run the notebook after initial software setup is complete, but battery charge displays will not be accurate until the new battery pack has been fully charged.)



Identifying the AC adapter light and the battery light

Turning On the Notebook

To turn on the notebook, press the power button ❶. When the notebook turns on, the power/standby light ❷ turns on, and you are prompted to begin software setup.



Turning on the notebook

If the notebook does not turn on:

- Make sure that the AC adapter is securely plugged into an electrical outlet.
- Make sure that the outlet is providing power. (To confirm that the outlet is providing power, plug another device into the outlet.)
- If you have installed a battery pack, make sure that the battery pack is firmly seated.

Setting Up the Software

A prompt to set up the software is displayed on the screen when the notebook is connected to external power and turned on for the first time.

Before responding to the prompt and proceeding through the on-screen instructions, read the following caution and other installation information.



CAUTION: To prevent file corruption and be sure that the correct device drivers install, during software setup:

- Run the notebook on external power provided through an AC adapter or a DC cable, not on battery power.
 - Do not unplug the notebook from the electrical outlet.
 - Do not shut down the notebook.
-

- After beginning the software setup, you must complete the entire process without interruption. Setup time varies.
 - If you are prompted to select a language, choose carefully. The languages that you do not choose are deleted from the system and cannot be restored during the installation.
 - When you are prompted to accept the End User License Agreement, you must choose Accept to continue the software setup.
-



During setup, it is normal for some notebook models to pause occasionally for up to 2 minutes and to restart several times. These pauses and restarts occur only during initial software setup. They will not occur during standard Windows startups.

Turning Off the Notebook

Turn off the notebook by using the Windows shutdown procedure: Select Start > Turn Off Computer > Turn Off.

If the notebook does not respond to the Windows shutdown procedure, try the following emergency shutdown procedures:

- Press and hold down the power button for at least 5 seconds.
- If the notebook remains unresponsive, press **Fn+power** button.
- If the notebook still remains unresponsive, disconnect the notebook from external power and remove the battery pack.

Protecting the Notebook from Power Surges

To protect the notebook from the power surges that may be caused by an uncertain power supply or an electrical storm:

- Plug the notebook power cord into an optional, high-quality surge protector.
- Provide surge protection on the cable that connects a modem to the telephone line.
- During an electrical storm, run the notebook on battery power or shut down the notebook and disconnect the power cord.

Surge protectors are available from most computer or electronics retailers.

Obtaining Ergonomic and Safety Information

To learn more about protecting yourself, your work, and your notebook from electrical and other risks:

- Read the ergonomic and safety information in the printed *Safety & Comfort Guide* included with the notebook. The *Safety & Comfort Guide* is also available on the *Documentation Library CD*.
- Read the following warning.



WARNING: This is a Class B digital device, pursuant to Part 15 of the FCC Rules. For more Class B information, refer on the *Documentation Library CD* to *Regulatory and Safety Notices*. To reduce the risk of personal injury, electric shock, fire, or damage to the equipment:

- Do not disable the power cord grounding plug. It is an important safety feature.
 - Plug the equipment into a grounded (earthed) electrical outlet that is easily accessible at all times.
 - Disconnect power from the equipment by unplugging the power cord from the electrical outlet.
 - Do not place anything on power cords or cables. Arrange them so that no one may accidentally step on or trip over them.
 - Do not pull on a cord or cable. When unplugging a cord from an electrical outlet, grasp the cord by the plug.
-

Beginning to Use the Notebook

Selecting Regional Settings

Keyboard language and other regional preferences, such as time, date, and currency format, are set in the Regional Options window of the operating system.

To access the Regional Options window, select Start > Control Panel > Date, Time, Language and Regional Options icon.

For information about selecting regional settings, open the Regional Options window, then use context-sensitive Help. To use context-sensitive Help, select the question mark button in the upper right corner of the window, then select an item. A definition, explanation, or procedure is displayed.

Selecting Screen Settings

Screen appearance settings are accessed from the operating system Appearance and Themes window. To access the Appearance and Themes window, select Start > Control Panel > Appearance and Themes icon.

To access the settings that control the size of the items displayed on the screen, select the Change Resolution task.

For information about any of the items in any of the windows accessed from the Appearance and Themes icon, use context-sensitive Help. To use context-sensitive Help, select the question mark button in the upper right corner of a window, then select an item. A definition, explanation, or procedure is displayed.

Protecting the Notebook Against Viruses

When you use the notebook for email, network, or Internet access, you expose the notebook to computer viruses. Computer viruses can disable the operating system, your applications, or your utilities or cause them to function abnormally.

Antivirus software can detect most viruses, destroy them, and, in most cases, repair damage they have caused.

Compaq strongly recommends that you install optional antivirus software before using a modem or network connection.

Antivirus software is available from most computer or electronics retailers.

Obtaining Modem and Network Information

For information about connecting an optional internal modem or NIC (network interface card), refer to the *Modem and Networking* guide on the *Documentation Library* CD included with the notebook. Instructions for using the *Documentation Library* CD are provided later in this chapter.

For information about setting up an optional internal wireless LAN device, refer to the documentation included with the device.

Installing Optional Software

Step-by-step instructions for installing and using many of the applications and utilities included with the notebook are provided on the *Documentation Library* CD included with the notebook. Instructions for using the CD are provided next in this chapter.

If you prefer to install optional software now, without referring to the *Documentation Library* CD, the following information may be helpful:



CAUTION: To prevent file corruption and ensure that the correct drivers are installed, install software only when the notebook is connected to external power through the AC adapter or a DC cable. (Do not install software while the notebook is running on battery power.) During the installation:

- Do not unplug the notebook from external power.
 - Do not shut down the notebook.
-
- To install an application or a utility from a CD, refer to the documentation included with the CD. Typically, installation instructions are included in the CD package or are displayed on the screen when the CD is inserted.
 - To access preloaded utilities and applications, select Start > All Programs > Software Setup. Then:
 - To display the descriptions and space requirements of a preloaded utility or application without installing it, select the Next button, then select an item. (A description and the space requirements of the item are displayed in the Select Components window.) After viewing the information, select the Cancel button.
 - To install a preloaded utility or application, select the item > Next button, then follow the instructions on the screen.

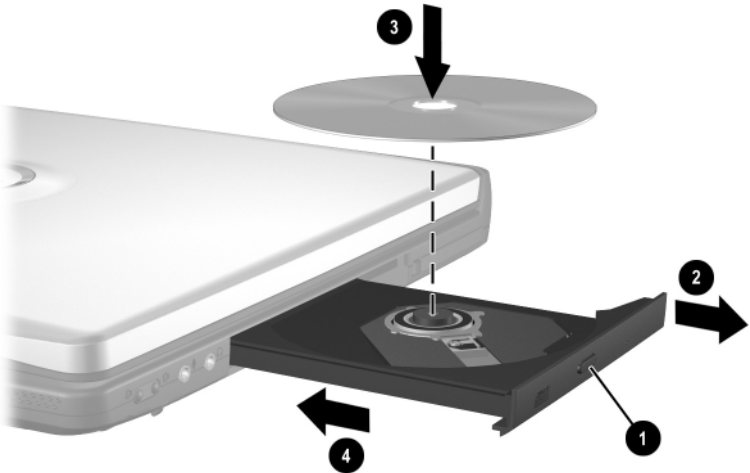
Using the Documentation Library CD

The *Documentation Library* CD is included with all notebook models.

Inserting the Documentation Library CD

To insert the *Documentation Library* CD into the optical drive:

1. Turn on the notebook.
2. Press the release button **1** on the drive bezel to release the media tray, then pull the tray outward until it is fully extended **2**.
3. Position the CD over the tray, label side up.
4. Gently press the center of the disc onto the tray spindle **3** until the disc snaps into place. Handle the disc by the edges, not the flat surfaces. (If the media tray is not fully extended, tilt the disc to position it over the tray spindle, then press it downward into position.)
5. Close the media tray **4**.



Inserting the Documentation Library CD into an optical drive

Accessing the Documentation Library Menu

Typically, when the *Documentation Library* CD is inserted into the optical drive, the CD menu is displayed on the screen after a pause of up to several seconds.

If the menu is not displayed, for example, if AutoPlay is disabled, you can display the menu manually:

1. Select Start > Run.
2. In the Open field, type:
explorer x:
(where X is your optical drive designation).
3. Select the file that includes an .exe extension, for example, Filename.exe.
4. Select the OK button.



To display the drive designation of your optical drive, select Start > My Computer. A drive designation is a letter of the alphabet that the notebook uses to identify a drive.



If messages about Adobe Acrobat Reader are displayed on the screen as you open the *Documentation Library* CD, choose to install Acrobat Reader and to accept the Acrobat Reader license agreement. Acrobat Reader is an application that displays the notebook documentation on the screen.

Selecting a Guide

This section describes the guides on the *Documentation Library* CD and suggests ways to quickly find a topic within a guide.

For information about using documentation symbols, text styles, and paths, see the Preface, “Using This Guide.”

For Information About These Topics	Select This Guide
<ul style="list-style-type: none">■ Using the external hardware features identified in Chapter 3 of this guide■ Running the notebook on a battery pack■ Upgrading memory■ Power and environmental specifications	<i>Hardware Guide</i>
<ul style="list-style-type: none">■ Using Standby and Hibernation and selecting power preferences■ Using CD and DVD software■ Updating or restoring Compaq software■ Using the Setup and Support utilities	<i>Software Guide</i>
<ul style="list-style-type: none">■ Caring for the notebook and drives■ Preparing the notebook for transport■ Traveling with the notebook internationally	<i>Maintenance, Shipping and Travel</i>
<ul style="list-style-type: none">■ Solving notebook problems yourself■ Getting help from Compaq	<i>Troubleshooting</i>
<ul style="list-style-type: none">■ Governmental and safety information■ Protecting the notebook from static electricity	<i>Regulatory and Safety Notices</i>
Ergonomic and safety information	<i>Safety & Comfort Guide</i>

Continued

For Information About These Topics	Select This Guide
<ul style="list-style-type: none"> ■ Using an internal modem ■ Using a network connection 	<p><i>Modem and Networking</i></p>
<ul style="list-style-type: none"> ■ Using modem AT commands ■ Selecting a command set for your notebook 	<p><i>Modem Command Guidelines (Advanced Users Only)</i></p>
Using AT commands with a Conexant modem	<i>Conexant Command Set (Advanced Users Only)*</i>
Using AT commands with a Lucent/Agere modem	<i>Lucent/Agere Command Set (Advanced Users Only)*</i>

*Available in English only.

Finding a Topic Within a Guide

To find information within a guide:

- Use the bookmarks or search features in Acrobat Reader.
 - ❑ Select any plus sign (+) in the left pane of the Acrobat Reader window to display subheadings.
 - ❑ Select Edit > Find or Edit > Search to search quickly for a topic. Select the Help button for additional information about Acrobat Reader search, navigation, and print procedures.
- Use the Index in the guide.
 - ❑ Indexes list specific items under generic headings, such as “button,” or “jack,” that may be helpful if you do not know the name of an item.
 - ❑ Index listings direct you to the first page of a topic. You may find more information about the topic by scrolling through a few of the pages that follow.

Contacting Compaq

If you encounter a notebook problem that you cannot resolve with the information provided, you may need to contact Compaq.

Using Compaq Help & Support

To access Compaq Help & Support, select Start > Help and Support, then select a link. Links to support features within the notebook and to specific areas of the Compaq Web site are provided.

Obtaining Support Telephone Numbers

To obtain a list of worldwide Technical Support telephone numbers, use either of the following methods:

- Select Start > Control Panel > Performance and Maintenance icon > System icon. Then, near the lower edge of the System Properties window, select the Support Information button.
- Refer to the printed *Worldwide Telephone Numbers* booklet included with the notebook in English only.

Preparing to Call Technical Support

To provide the fastest possible resolution of your problem, have the notebook and the following information available when you call:

- Serial number and model description, which are provided on the product identification label on the underside of the notebook.
- Purchase date on the invoice.
- Conditions under which the problem occurred.
- Error messages that have been displayed.
- Operating system version number and registration number.

To display the operating system version number and registration number, select Start > Control Panel > Performance and Maintenance icon > System icon > General tab.

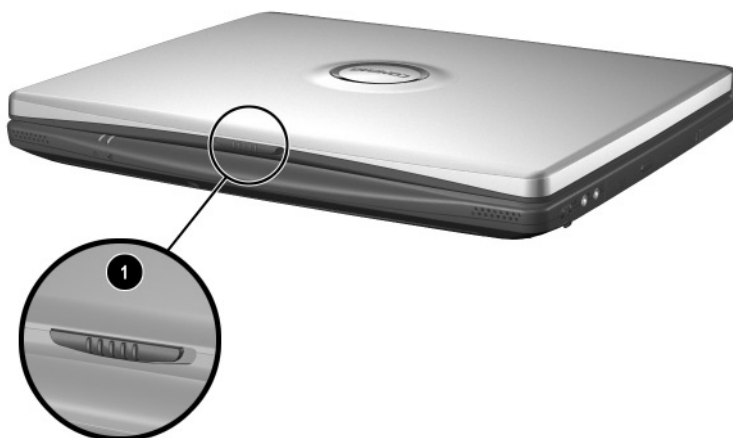
- Brand and model of an optional printer.

Taking the Notebook to a Service Provider

In addition to providing the information listed in the preceding section, “Preparing to Call Technical Support,” be sure to delete all passwords or to disclose all passwords to the service provider.

Hardware Components

Display



Display

-
- | | |
|--------------------------------|---------------------|
| 1 Display release latch | Opens the notebook. |
|--------------------------------|---------------------|
-

Pointing Device and Speakers



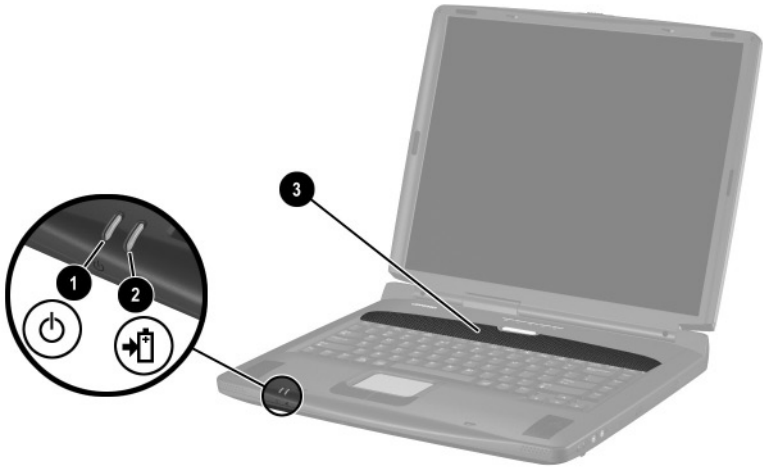
Pointing Device and Speakers

❶	TouchPad*	Moves the pointer and selects or activates items on the screen. Can be set to perform additional mouse functions, such as scrolling, selecting, and double-clicking.
❷	Left and right TouchPad buttons*	Function like the left and right buttons on an external mouse.
❸	Stereo speakers (2)	Produce stereo sound.

*This table describes default settings. For information about changing pointing device functions, refer on the *Documentation Library CD* to the *Hardware Guide*, “Pointing Device and Keyboard” chapter.

Top

Power/Standby Light, Battery Light and Vent



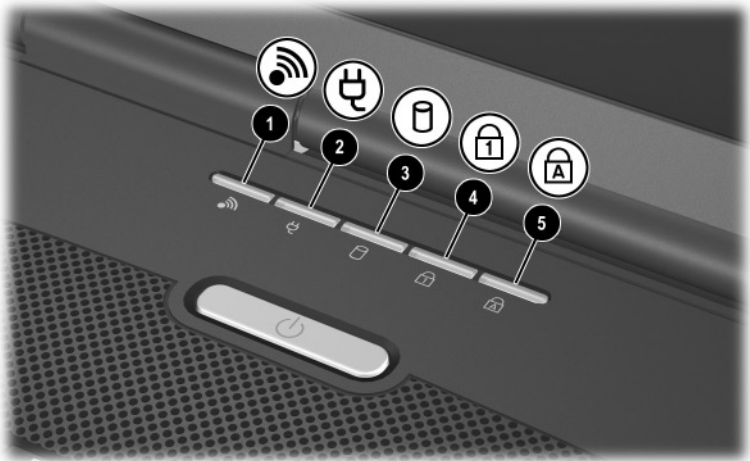
Top: Power/Standby Light, Battery Light, and Vent

- | | |
|-----------------------|--|
| ❶ Power/standby light | <p>On: Power is turned on.</p> <p>Flashing: Notebook is in Standby or has reached a critical low-battery condition.</p> |
| ❷ Battery light | <p>On: A battery pack is charging.</p> <p>Flashing: A battery pack which is the only available power source has reached a low-battery condition.</p> |
| ❸ Vent* | <p>Provides airflow to cool internal components.</p> |

△ To prevent overheating, do not obstruct vents.

*The notebook has 3 vents. The other vents are on the rear panel and the underside of the notebook.

Panel Lights

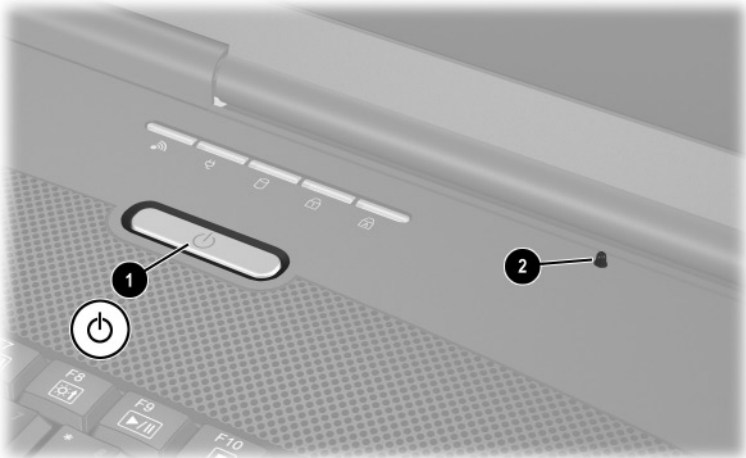


Top: Panel Lights


❶ Wireless LAN activity light	Off: An optional internal wireless LAN is off or not installed. On: An optional internal wireless LAN is on and connected to a network. Flashing: An optional internal wireless LAN is on, but is not connected to a network or properly configured.
❷ AC adapter light	On: AC power is being supplied through an AC adapter.
❸ IDE (Integrated Drive Electronics) drive light	On: The internal hard drive or optical drive is being accessed.
❹ Num lock light	On: Num lock or the internal keypad is on.*
❺ Caps lock light	On: Caps lock is on.

*For information about using the internal keypad, refer on the *Documentation Library CD* to the *Hardware Guide*, “Pointing Device and Keyboard” chapter.

Power Controls



Top: Power Controls

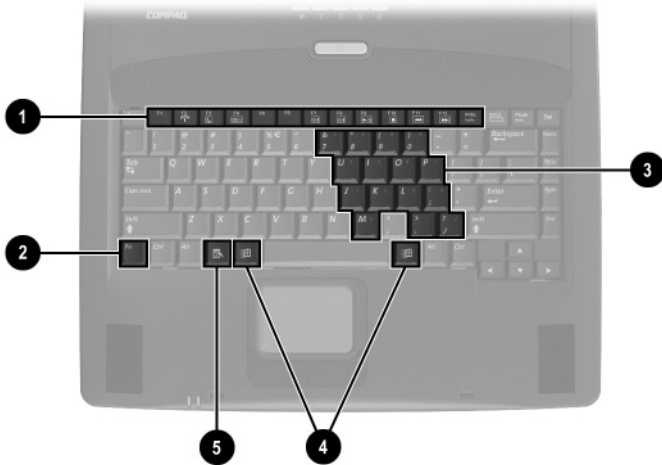
- | | |
|---------------------------------|--|
| <p>❶ Power button*</p> | <p>When the notebook is:</p> <ul style="list-style-type: none"> ■ Off, press to turn on the notebook. ■ On, briefly press to initiate Hibernation. ■ In Standby, briefly press to resume from Standby. ■ In Hibernation, briefly press to resume from Hibernation. <p> If the system has stopped responding and Windows shutdown procedures cannot be used, press and hold for at least 5 seconds to turn off the notebook.</p> |
| <p>❷ Display switch*</p> | <ul style="list-style-type: none"> ■ If the notebook is closed while on, turns off the display. ■ If the notebook is opened while in Standby, turns on the notebook (resumes from Standby). |
-

*This table describes default settings. For information about changing the function of the power button or display switch, refer on the *Documentation Library CD* to the *Software Guide*, "Power" chapter.

Keys



Key availability and location varies by region and model.



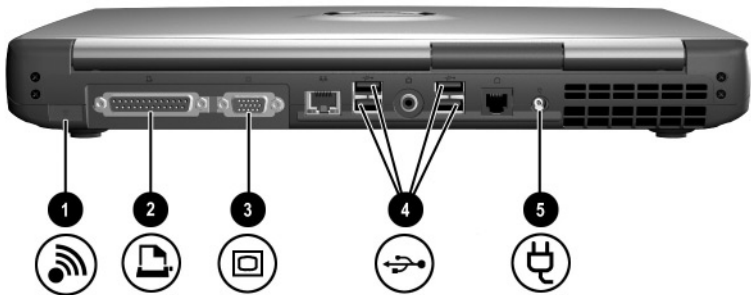
Top: Keys

❶	Function keys (12)	Perform system and application tasks. When combined with the Fn key, the function keys F2 through F4 and F7 through F12 perform additional tasks as hotkeys.*
❷	Fn key	Combines with other keys to perform system tasks. For example, pressing Fn+F7 decreases screen brightness and pressing Fn+F8 increases screen brightness.
❸	Keypad keys (15)*	Can be used like the keys on an external numeric keypad.
❹	Microsoft logo keys (2)	Display the Windows Start menu.
❺	Applications key	Displays a shortcut menu for items beneath the pointer.

*For information about using hotkeys or keypad keys, refer on the *Documentation Library* CD to the *Hardware Guide*, “Pointing Device and Keyboard” chapter.

Rear Panel

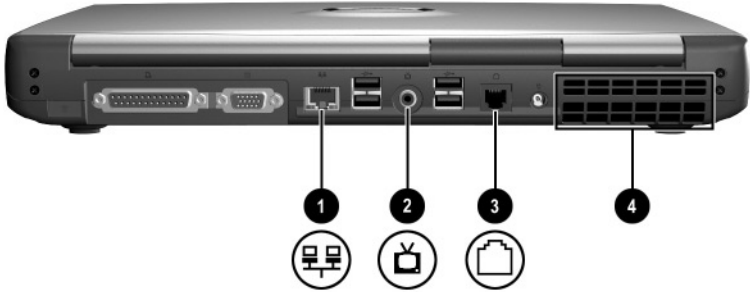
Connectors and Infrared Port



Rear Panel: Connectors and Infrared Port


❶	Infrared port (available on select models)	Provides wireless communication between the notebook and an optional IrDA-compliant device.
❷	Parallel connector (available on select models)	Connects an optional parallel device such as a printer.
❸	External monitor connector	Connects an optional VGA external monitor or projector.
❹	USB connectors (4)	Connect optional 2.0- or 1.1-compliant USB devices.
❺	AC power connector	Connects an AC adapter or an optional DC cable.

Jacks, Fan and Vent



Rear Panel: Jacks, Fan, and Vent

- | | |
|--|--|
| ❶ RJ-45 network jack
(available on select models) | Connects an Ethernet network cable.
(An Ethernet network cable is included with select models.) |
| ❷ Composite TV-out jack | Connects an optional composite video device, such as a television, VCR, camcorder, projector, or video capture card. |
| ❸ RJ-11 telephone jack | Connects a modem cable. (A modem cable is included with select models.) |
| ❹ Fan and vent* | Provide airflow to cool internal components. |

 To prevent overheating, do not obstruct vents. Do not allow a hard surface, such as an adjoining printer, or a soft surface, such as bedding or clothing, to block airflow.

*The notebook has 3 vents. The other vents are above the keyboard and on the underside of the notebook.

Left Side

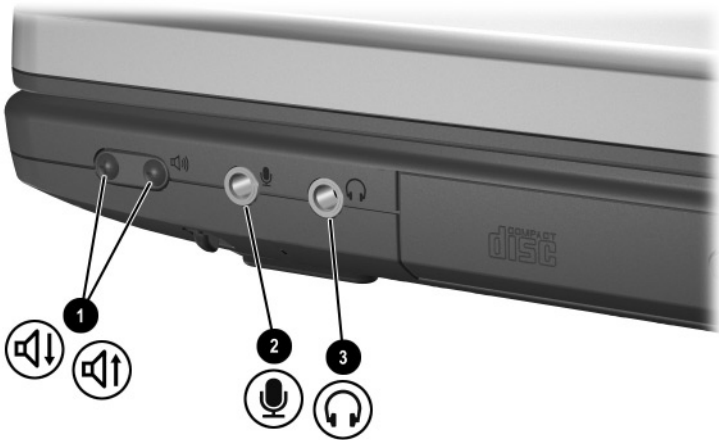


Left Side

❶	Security cable slot	Attaches an optional security cable to the notebook.
❷	Hard drive bay	Holds the internal hard drive.
❸	1394 connector (available on select models)	Connects an optional 1394 device such as a camcorder.

Right Side

Volume Buttons and Audio Jacks



Right Side: Volume Buttons and Audio Jacks

❶ Volume buttons (2)

Adjust, mute, or restore system volume.

- To decrease volume, press the decrease volume button.
- To increase volume, press the increase volume button.
- To mute or restore volume, press both buttons at the same time.

❷ Microphone jack

Connects an optional monaural microphone.

❸ Audio-out jack

Connects optional headphones or powered stereo speakers. Also connects the audio function of an audio/video device such as a television or VCR.

Optical Drive and PC Card Slot



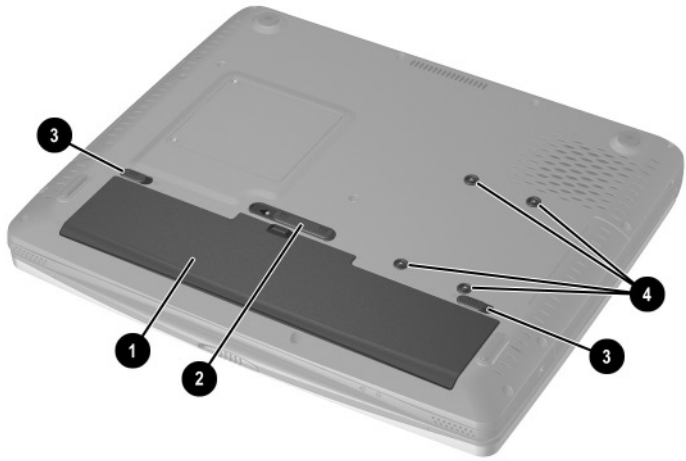
Right Side: Optical Drive and PC Card Slot

❶	Optical drive*	Supports an optical disc.
❷	PC Card eject button (available on models with a PC Card slot)	Ejects an optional PC Card from the PC Card slot.
❸	PC Card slot (available on select models)	Supports an optional Type I or Type II 32-bit (CardBus) or 16-bit PC Card.

*The type of optical drive, for example a CD, DVD, or combination CD/DVD drive, varies by model.

Underside

Battery Bay and Hard Drive Bay



Underside: Battery Bay and Hard Drive Bay

❶	Battery bay*	Holds a battery pack.
❷	Battery pack release latch*	Releases a battery pack from the battery bay.
❸	Battery pack locking latches (2)*	Secure a battery pack in the battery bay.
❹	Hard drive retaining screws (4)	Secure the internal hard drive in the hard drive bay.

*All models support a battery pack and include a battery bay, battery pack release latch, 2 battery pack locking latches, and a battery light (The battery light is illustrated earlier in this chapter). As shipped, the battery bay is empty on models which include a battery pack. The battery bay on models which do not include a battery pack contains a removable stabilizer, which protects the battery bay.

Memory Compartment and Vent



Underside: Memory Compartment and Vent

❶ Memory compartment

Contains 2 memory slots for PC2100-compliant memory modules. The memory compartment may contain one or two memory modules, depending on the notebook model.

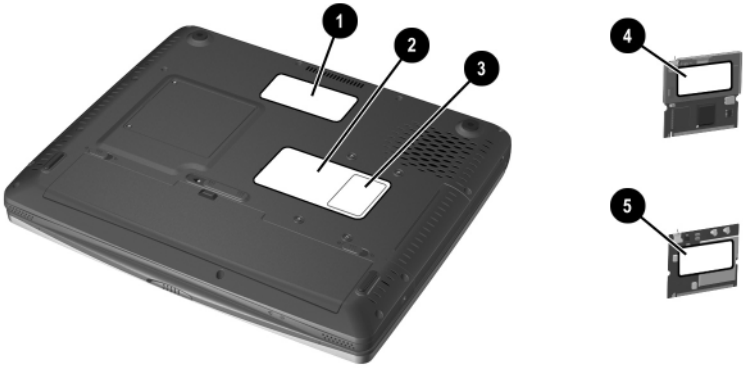
❷ Vent*

Allows airflow to cool internal components.

⚠ To prevent overheating, do not obstruct the vent. Do not allow a soft surface, such as bedding, clothing or a thick rug, to block airflow.

*The notebook has 3 vents. The other vents are above the keyboard and on the rear panel of the notebook.

Labels



Underside: Labels

❶	Microsoft Certificate of Authenticity label*	Contains the Product Key number. You may need this number to update or troubleshoot the operating system.
❷	System label*	Provides regulatory information about the notebook.
❸	Product identification label*	Contains the serial number of the notebook and a code describing the original configuration of the notebook. You will need the serial number if you call Compaq customer support.
❹	Modem approvals label (on an optional internal modem)*	Lists the countries in which a modem has been approved for use.
❺	Wireless certification label (on an optional internal wireless device)*	Lists the countries in which a wireless device has been approved for use.

*Label shapes and locations vary by region and model.

Additional Standard Components

The components included with the notebook vary by region, notebook model, and the optional hardware ordered. The following sections identify the standard external accessories and components included with most notebook models.

Software Restore and Documentation CDs

Your notebook includes the following CDs for restoring software and accessing product documentation:

- A *Compaq QuickRestore CD* contains all the software included in the factory image. Restoring from the CD reformats the hard drive and returns the notebook to the factory image. To restore one or more applications without reformatting the hard drive, select Start > Software Setup, then follow the instructions on the screen.

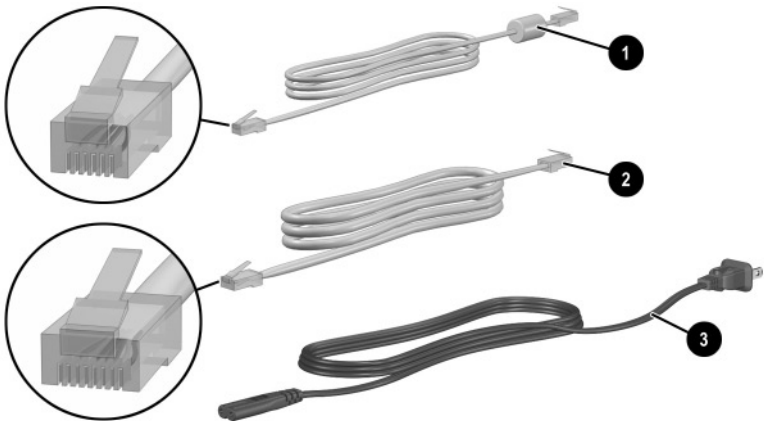
For more information about QuickRestore, refer on the *Documentation Library CD* to the *Software Guide*, “Software Updates and Restorations” chapter.

- The *Documentation Library CD* includes the following guides:



- Hardware Guide*
- Software Guide*
- Modem and Networking*
- Modem Command Guidelines (Advanced Users Only)*
- Lucent/Agere Command Set (Advanced Users Only)*
- Conexant Command Set (Advanced Users Only)*
- Maintenance, Shipping and Travel*
- Regulatory and Safety Notices*
- Safety & Comfort Guide*
- Troubleshooting*

For information about using the *Documentation Library CD*, see Chapter 2, “Beginning to Use the Notebook.”

Cables and Cord

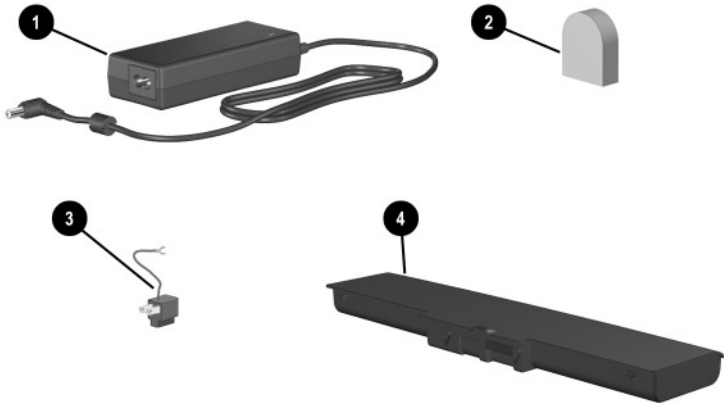


Additional Standard Components: Cables and Cord

- | | |
|--|---|
| 1 Modem cable (included with select models) | Connects a modem to an RJ-11 telephone jack or to a country-specific modem adapter. |
|  A modem cable has a 6-pin, RJ-11 telephone connector at each end. | |
| 2 Network cable (included with select models) | Connects the notebook to an Ethernet network jack. |
|  A network cable has an 8-pin, RJ-45 network connector at each end. | |
| 3 Power cord* | Connects an AC adapter to an AC electrical outlet. |

*Power cords vary in appearance by region.

Adapters and Battery Pack



Additional Standard Components: Adapters and Battery Pack

1	AC adapter*	Converts AC power to DC power.
2	Country-specific modem adapter (included by region as required)	Adapts the modem cable to a non-RJ-11 telephone jack.
3	Japan-specific outlet adapter (Japan only)	Connects the AC adapter to a 2-prong electrical outlet.
4	Battery pack (included with select models)	Runs the notebook when the notebook is not connected to external power.

*AC adapters vary by region.

Index

1394 connector 3–9

A

AC adapter

AC power connector 3–7

connecting 1–2, 1–4

light 3–4

location 1–4, 3–17

AC power connector

connecting 1–2, 1–4

location 3–7

Acrobat Reader 2–7

installing 2–5

adapter

See also AC adapter

adapter

AC 3–17

country-specific modem
3–17

Japan-specific outlet 3–17

antivirus software 2–2

applications key 3–6

applications. *See* software

AT commands 3–15

audio-out jack 3–10

AutoPlay 2–5

B

battery bay

inserting battery pack into
1–2

location 3–12

stabilizer 3–12

battery light 3–3

battery pack

charging during setup 1–1,
1–5

inserting 1–2

location 3–12, 3–17

locking latches 1–2, 3–12

release latch 3–12

battery power 1–8

button(s)

PC Card eject 3–11

power 3–5

TouchPad 3–2

volume 3–10

See also key(s); latch(es);
switch, display

C

cable

AC adapter 1–2, 1–4

DC 3–7

modem 3–8, 3–16

network 3–8, 3–16

security 3–9

caps lock light 3–4

card. *See* memory

compartment; PC Card

CD(s)

Compaq QuickRestore
3–15

displaying contents of 2–5

Documentation Library CD
2–6

inserting 2–4

Certificate of Authenticity

label 3–14

Class B designation (FCC) 1–9

closing the notebook 3–5

commands, AT 3–15

Compaq customer support
2–6, 2–8

Compaq utilities 2–3

See also software

compartment, memory 3–13

composite TV-out jack 3–8

Conexant Command Set

(Advanced Users Only)

guide 2–7

connector(s)

1394 3–9

AC power 3–7

external monitor 3–7

infrared port 3–7

parallel 3–7

USB 3–7

See also infrared port; jack

cord, power

connecting 1–2, 1–4

location 3–16

surge protection 1–8

See also cable

country-specific modem
adapter 3–17

currency formats, setting 2–1

customer support 2–6, 2–8

D

date, setting the 2–1

DC cable 1–7, 3–7

display (internal)

opening 1–3

screen resolution settings
2–1

display release latch 3–1

display switch 3–5

Documentation Library CD

2–5, 2–7

drive

bay, hard drive 3–9

light (IDE) 3–4

optical 3–11

drive designations 2–5

E

eject button, PC Card 3–11

electrical storm, safety issues

1–8

emergency shutdown

procedures 1–8

End User License Agreement

1–7

external monitor connector

3–7

F

fan, vents 3–3, 3–8, 3–13

FCC Class B designation 1–9

Fn key 1–8, 3–6

function keys (F1, F2, etc.)

3–6

H

- hard drive
 - IDE drive light 3–4
 - location 3–9
 - retaining screws 3–12
- Hardware Guide* 2–6
- help
 - contacting Compaq 2–8
 - Documentation Library* CD 2–5
- Hibernation 3–5

I

- IDE (Integrated Drive Electronics) light 3–4
- identifying components
 - additional 3–16
 - display 3–1
 - left side 3–9
 - rear panel 3–7
 - right side 3–10
 - top 3–2
 - underside 3–12
- infrared port 3–7

J

- jack
 - audio-out 3–10
 - composite TV-out 3–10
 - microphone 3–10
 - RJ-11 3–8
 - RJ-45 3–8
 - See also* connector(s); infrared port
- Japan-specific modem adapter 3–17

K

- key(s)
 - applications 3–6
 - Fn 3–6
 - function (F1, F2, etc.) 3–6
 - hotkeys 3–6
 - keypad 3–6
 - Microsoft logo 3–6
 - See also* button(s); latch(es); switch, display
- keyboard language 2–1
- keypad 3–4

L

- label
 - Microsoft Certificate of Authenticity 3–14
 - modem approvals 3–14
 - product identification 3–14
 - system 3–14
 - wireless certification 3–14
- LAN, internal wireless
 - documentation 2–2
 - wireless certification label 3–14
 - wireless LAN activity light 3–4
- language
 - choosing during setup 1–7
 - selecting keyboard 2–1
- latch(es)
 - battery pack locking 3–12
 - battery pack release 3–12
 - display release 3–1
 - See also* button(s); switch, display

light

- AC adapter 3-4
- battery 3-3
- caps lock 3-4
- IDE drive 3-4
- num lock 3-4
- power/standby 3-3
- wireless LAN activity 3-4

line-out jack 3-10

lock, security cable 3-9

locked system

- contacting Compaq 2-8
- emergency shutdown procedures 1-8

Lucent/Agere Command Set (Advanced Users Only) guide 2-7

M

Maintenance, Shipping and Travel guide 2-6

memory compartment 3-13

microphone jack 3-10

Microsoft Certificate of Authenticity label 3-14

Microsoft logo keys 3-6

modem

- approvals label 3-14
- cable 3-16

Conexant Command Set (Advanced Users Only) guide 2-7

country-specific adapter 3-17

Lucent/Agere Command Set (Advanced Users Only) guide 2-7

Modem and Networking guide 2-7

Modem Command Guidelines (Advanced Users Only) guide 2-7

RJ-11 jack 3-8

virus protection 2-2

monitor, external, connector 3-7

N

network

cable 3-16

Modem and Networking guide 3-15

RJ-45 jack 3-8

num lock light 3-4

number

- Product Key 3-14
- serial 3-14

O

opening the notebook 1-3

operating system

installing 1-7

Microsoft Certificate of Authenticity label 3-14

Product Key number 3-14

restoring 3-15

optical drive

IDE drive light 3-4

inserting disc into 2-4

location 3-11

P

- parallel connector 3-7
- passwords 2-9
- PC Card
 - eject button 3-11
 - slot 3-11
- phone numbers, Compaq 2-8
- pointing device 3-2
- port, infrared 3-7
- power
 - AC power connector 3-7
 - button 3-5
 - connecting the notebook to external 1-4
 - cord 3-16
 - power/standby light 3-3
 - running the notebook on battery 1-5
 - shutting down the notebook 1-8
 - surge protection 1-8
 - turning on the notebook 1-6
- power cord
 - connecting 1-2, 1-4
 - surge protection 1-8
- product identification label 3-14
- Product Key number 3-14

R

- regional settings 2-1
- Regulatory and Safety Notices* guide 2-6
- regulatory information

- Class B designation (FCC) 1-9

- modem approvals label 3-14

- Regulatory and Safety Notices* 3-15

- system label 3-14

- wireless certification label 3-14

- release latch

- battery pack 3-12

- display 3-1

- reset (emergency shutdown procedures) 1-8

- resolution, screen 2-1

- RJ-11 telephone jack

- location 3-8

- modem cable 3-16

- RJ-45 network jack

- location 3-8

- network cable 3-16

S

- Safety & Comfort Guide* 2-6

- screen resolution 2-1

- security

- cable slot 3-9

- screws, hard drive 3-12

- serial number 3-14

- service, Compaq customer 2-8

- shutdown procedures 1-8

- slot(s)

- memory 3-13

- PC Card 3-11

- security cable 3-9

- software
 - Acrobat Reader 2-5
 - antivirus protection 2-2
 - AutoPlay 2-5
 - installing optional 2-3
 - regional settings 2-1
 - restoring 3-15
 - setting up 1-7
 - Software Guide* 2-6
 - speakers, internal stereo 3-2
 - Standby
 - power/standby light 3-3
 - procedures 3-5
 - support, Compaq customer 2-8
 - switch, display 3-5
 - system label 3-14
- T**
- technical support
 - contacting Compaq 2-8
 - notebook documentation 2-6
 - telephone (RJ-11) jack
 - location 3-8
 - modem cable 3-16
 - telephone numbers, Compaq 2-8
 - 1394 connector 3-9
 - time, setting the 2-1
 - traveling with the notebook
 - modem approvals label 3-14
 - regional settings 2-1
 - serial number 3-14
 - wireless certification label 3-14
 - troubleshooting
 - contacting Compaq 2-8
 - Documentation Library* CD 2-4
 - Troubleshooting* guide 2-6
 - turning off the notebook 1-8
 - turning on the notebook 1-6
- U**
- unresponsive system, emergency shutdown steps 1-8
 - USB connectors 3-7
 - utilities, Compaq
 - displaying descriptions of 2-3
 - installing 2-3
 - restoring 3-15
- V**
- vents, fan 3-3, 3-8, 3-13
 - viruses, computer 2-2
 - volume buttons 3-10
- W**
- Web site, Compaq 2-8
 - Windows applications key 3-6
 - wireless LAN, internal
 - documentation 2-2
 - wireless certification label 3-14
 - wireless LAN activity light 3-4
 - Worldwide Telephone Numbers* booklet 2-8

Free Manuals Download Website

<http://myh66.com>

<http://usermanuals.us>

<http://www.somanuals.com>

<http://www.4manuals.cc>

<http://www.manual-lib.com>

<http://www.404manual.com>

<http://www.luxmanual.com>

<http://aubethermostatmanual.com>

Golf course search by state

<http://golfingnear.com>

Email search by domain

<http://emailbydomain.com>

Auto manuals search

<http://auto.somanuals.com>

TV manuals search

<http://tv.somanuals.com>