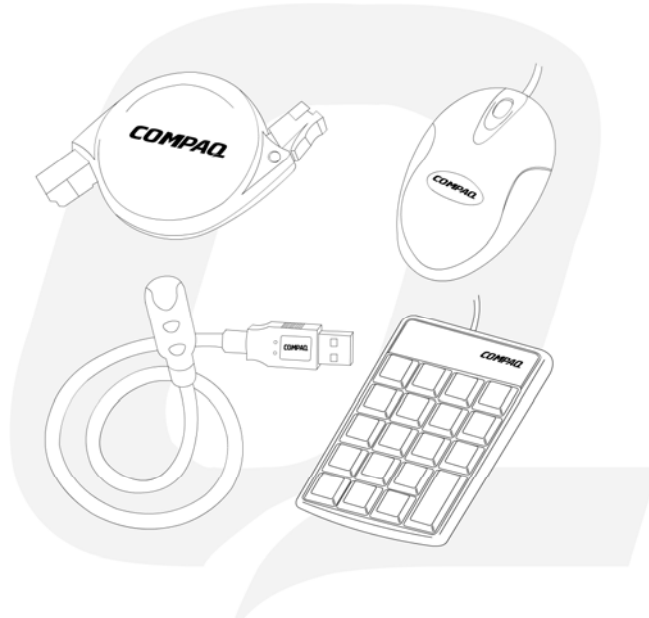


COMPAQ 4-in-1 Notebook Accessory Kit



COMPAQ

Model CPQ04MAK

FCC STATEMENT
CPQ04MAK

This device complies with part 15 of FCC Rules. Operation is subject to the following two conditions: (1) this device may not cause harmful interference, and (2) this device must accept any interference received, including interference that may cause undesired operation.

This equipment has been tested and found to comply with the limits for a Class B digital device, pursuant to part 15 of FCC Rules. These limits are designed to provide reasonable protection against harmful interference when the equipment is operated in a residential installation. This equipment generates, uses, and can radiate radio frequency energy and, if not installed and used in accordance with the instruction guide, may cause harmful interference to radio communications. However, there is no guarantee that interference will not occur in a particular installation. If this equipment does cause harmful interference to radio or television reception, which can be determined by turning the equipment off and on, the user is encouraged to try to correct the interference by one or more of the following measures:

- Reorient or relocate the receiving antenna.
- Increase the separation between the equipment and the receiver.
- Connect the equipment into an outlet on a circuit different from that to which the receiver is connected.
- Consult a service representative for help.

Properly shielded and grounded cables and connectors must be used in order to comply with FCC emission limits. Micro Innovations is not responsible for any radio or television interference caused by using other than recommended cables and connectors or by unauthorized changes or modifications to this equipment. Unauthorized changes or modifications could void the user's authority to operate the equipment.

Responsible party:
Micro Innovations
400 Clearview Ave.
Edison, NJ 08837
Telephone: 1(877) 550-5534



Tested To Comply With FCC Standards
FOR HOME OR OFFICE USE

This Class B digital apparatus complies with Canadian ICES-003. Cet appareil numérique de classe B est conforme à la norme NMB-003 du Canada.

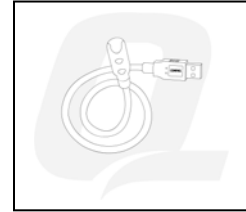
Table of Contents

USB Notebook Light.....	Page 4
19 Key Slim Keypad.....	Page 5
6 Foot Auto Retractable Phone Cable.....	Page 6
3 Button Optical Scroll Mouse.....	Page 7
Troubleshooting.....	Page 8

USB Notebook Light

Welcome

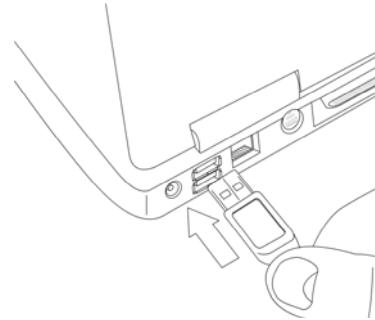
Its flexible neck allows you to adjust the USB Notebook Light to provide long-lasting illumination to your notebook keyboard. This device is supported in Windows 2000 | XP Pro | XP Home | XP Tablet Edition



User Setup

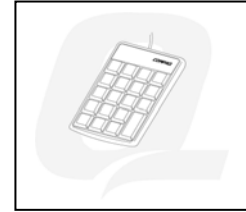
STEP 1 – Power on your system.

STEP 2 – Connect the USB Notebook light to any available USB port or hub connected to your computer.



19 Key USB Slim Keypad

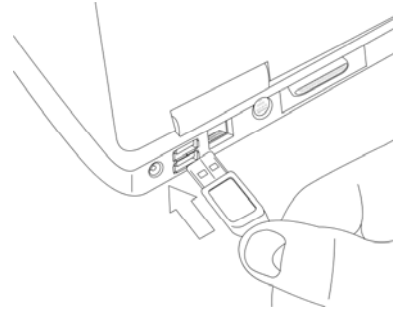
Its slim and sleek design makes it perfect for traveling and stores easily into any notebook carrying case. This device is supported in Windows 2000 | XP Pro | XP Home | XP Tablet Edition



User Setup

STEP 1 – Power on your system.

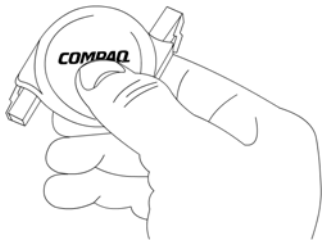
STEP 2 – Connect the Compaq Slim Keypad to any available USB port or hub connected to your computer. The “Found New Hardware” wizard will appear on your screen. Your computer will automatically install the necessary drivers needed.



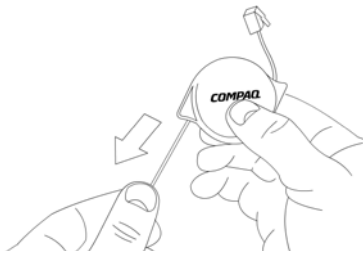
6 Foot Auto Retractable Phone Cable



Warning: Watch for quick moving wires while retracting.



STEP 1 - Hold your 6' Auto Retractable Phone Cable with one hand while gently pulling the modules outward.



STEP 2 - Be careful not to pull the cable past the intended length or it could result in damage to the cord or mechanism inside.



STEP 3 - To retract the cable, push black button located on the bottom.

3 Button Optical Scroll Mouse

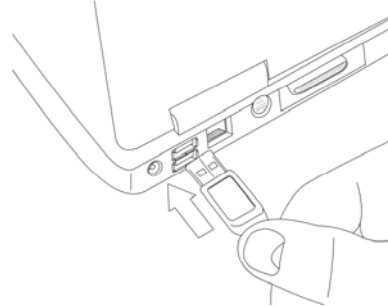
The advanced design makes the Compaq 3 Button Optical Mouse with lighted logo comfortable and easy to use. This device is supported in Windows 2000 | XP Pro | XP Home | XP Tablet Edition



User Setup

STEP 1 - Power on your system.

STEP 2 - Connect the Compaq 3 Button Optical Mouse to any available USB port or hub connected to your computer. Your mouse is now ready for use.



Troubleshooting

- You may have connected your device while the computer was shut down. Try restarting your computer and reconnecting your device.
- If you have Windows 95 or Windows NT, these operating systems do not support USB devices. This device isn't compatible with Windows 95 or NT.
- The Universal Serial Bus Controller and USB root hub may not be properly installed on your system. Contact your computer manufacturer for details.

WARNING: Keep all beverages away from the mouse working area and avoid any spills. There are no user serviceable parts. Service and repair may only be done by Micro Innovations.

Technical Support

For technical assistance call 1-888-627-3792 or visit www.microinv.com/compaq.

Technical Support hours of operation:

Monday - Friday 8:30am to 7:00pm E.S.T.

Free Manuals Download Website

<http://myh66.com>

<http://usermanuals.us>

<http://www.somanuals.com>

<http://www.4manuals.cc>

<http://www.manual-lib.com>

<http://www.404manual.com>

<http://www.luxmanual.com>

<http://aubethermostatmanual.com>

Golf course search by state

<http://golfingnear.com>

Email search by domain

<http://emailbydomain.com>

Auto manuals search

<http://auto.somanuals.com>

TV manuals search

<http://tv.somanuals.com>