



Compaq Presario CQ20 Notebook PC

Maintenance and Service Guide

Document Part Number: 482402-002

October 2008

This guide is a troubleshooting reference used for maintaining and servicing the computer. It provides comprehensive information on identifying computer features, components, and spare parts; troubleshooting computer problems; and performing computer disassembly procedures.

© Copyright 2008 Hewlett-Packard Development Company, L.P.

Bluetooth is a trademark owned by its proprietor and used by Hewlett-Packard Company under license. Intel, Core, and Celeron are trademarks or registered trademarks of Intel Corporation or its subsidiaries in the United States and other countries. Microsoft, Windows, and Windows Vista are U.S. registered trademarks of Microsoft Corporation. SD Logo is a trademark of its proprietor.

The information contained herein is subject to change without notice. The only warranties for HP products and services are set forth in the express warranty statements accompanying such products and services. Nothing herein should be construed as constituting an additional warranty. HP shall not be liable for technical or editorial errors or omissions contained herein.

Second Edition: October 2008

First Edition: August 2008

Document Part Number: 482402-002

Safety warning notice



WARNING: To reduce the possibility of heat-related injuries or of overheating the computer, do not place the computer directly on your lap or obstruct the computer air vents. Use the computer only on a hard, flat surface. Do not allow another hard surface, such as an adjoining optional printer, or a soft surface, such as pillows or rugs or clothing, to block airflow. Also, do not allow the AC adapter to contact the skin or a soft surface, such as pillows or rugs or clothing, during operation. The computer and the AC adapter comply with the user-accessible surface temperature limits defined by the International Standard for Safety of Information Technology Equipment (IEC 60950).

1 Product description

2 External component identification

Top components	2-1
Display components	2-1
TouchPad	2-2
Buttons	2-3
Keys	2-4
Lights	2-5
Front components	2-6
Left-side components	2-6
Right-side components	2-7
Bottom components	2-8

3 Illustrated parts catalog

Serial number location	3-1
Computer major components	3-2
Cable Kit	3-7
Plastics Kit	3-8
Mass storage devices	3-9
Miscellaneous parts	3-10
Sequential part number listing	3-11

4 Removal and replacement procedures

Preliminary replacement requirements	4-1
Tools required	4-1
Service considerations	4-1
Grounding guidelines	4-2
Unknown user password	4-5
Component replacement procedures	4-6
Serial number	4-6
Computer feet	4-7
Battery	4-7
Hard drive	4-8
Memory module	4-10
WLAN module	4-12
Optical drive	4-14
Keyboard	4-16
Top cover	4-18
Speaker assembly	4-22
Display assembly	4-24
Audio board	4-30

Fan	4-32
System board	4-34
RTC battery	4-36
Modem module	4-38
Bluetooth module	4-40
Heat sink	4-42
Processor	4-44

5 Setup Utility

Starting the Setup Utility	5-1
Changing the language of the Setup Utility	5-1
Navigating and selecting in the Setup Utility	5-2
Displaying system information	5-2
Restoring default settings in the Setup Utility	5-2
Exiting the Setup Utility	5-3
Setup Utility menus	5-3
Main menu	5-3
Security menu	5-3
System Configuration menu	5-4
Diagnostics menu	5-4

6 Specifications

Computer specifications	6-1
12.1-inch, WXGA display specifications	6-2
Hard drive specifications	6-2
DVD/CD-RW Combo Drive specifications	6-3
Blu-ray ROM DVD±RW SuperMulti DL Drive specifications	6-3
DVD±RW and CD-RW SuperMulti Double-Layer Drive and DVD±RW and CD-RW SuperMulti Double-Layer Drive with LightScribe specifications	6-4
System DMA specifications	6-4
System interrupt specifications	6-5
System I/O address specifications	6-6
System memory map specifications	6-8

7 Screw listing

Phillips PM1.5×3.0 screw	7-2
Phillips PM2.0×3.0 screw	7-4
Phillips PM2.0×4.0 screw	7-5
Phillips PM2.0×5.0 captive screw	7-6
Phillips PM2.0×3.0 screw	7-7
Phillips PM2.0×6.0 screw	7-8
Phillips PM2.0×5.0 screw	7-9
Phillips PM2.0×7.0 captive screw	7-10
Phillips PM2.0×10.0 captive screw	7-11
Phillips PM2.5×10.0 captive screw	7-12
Phillips PM3.0×3.0 screw	7-13
Phillips PM3.0×4.0 screw	7-14
Phillips T2.0×2.0BH screw	7-15
Torx T8M2.5×6.0 slotted screw	7-16

8 Backup and recovery

Creating recovery discs 8-1
 Backing up your information 8-2
 When to back up 8-2
 Backup suggestions 8-2
 Using system restore points 8-3
 Performing a recovery 8-4
 Recovering from the recovery discs 8-4
 Recovering from the dedicated recovery partition (select models only) 8-4

9 Connector pin assignments

Audio-out (headphone) 9-1
 Audio-in (microphone) 9-1
 External monitor 9-2
 HDMI 9-3
 RJ-11 (modem) 9-4
 RJ-45 (network) 9-5
 Universal Serial Bus 9-6

10 Power cord set requirements

Requirements for all countries and regions 10-1
 Requirements for specific countries and regions 10-2

11 Recycling

Battery 11-1
 Display 11-1

Index

Product description

Category	Description	Models with GL40 system board	Models with GM45 system board
Product Name	Compaq Presario CQ20 Notebook PC	X	X
Processors	Intel® Core™2 Duo processors:		
	T9600 2.8-GHz processor, 6-MB L2 cache, 1066-MHz front side bus (FSB)		X
	T9400 2.53-GHz processor, 6-MB L2 cache, 1066-MHz FSB		X
	P9500 2.53-GHz processor, 6-MB L2 cache, 1066-MHz FSB		X
	P8600 2.4-GHz, 3-MB L2 cache, 1066-MHz FSB		X
	P8400 2.26-GHz processor, 3-MB L2 cache, 1066-MHz FSB		X
	P7350 2.0-GHz processor, 3-MB L2 cache, 1066-MHz FSB		X
	Intel Core Duo processors:		
	T5900 2.2-GHz processor, 2-MB L2 cache, 800-MHz FSB		X
	T5800 2.0-GHz processor, 2-MB L2 cache, 800-MHz FSB		X
	T3400 2.16-GHz processor, 1-MB L2 cache, 667-MHz FSB	X	X
	T3200 2.0-GHz processor, 1-MB L2 cache, 667-MHz FSB	X	X
	Intel Celeron®-M processors:		
	585 2.16-GHz processor, 1-MB L2 cache, 667-MHz FSB	X	
	575 2.0-GHz processor, 1-MB L2 cache, 667-MHz FSB	X	
	Intel Celeron-T processor:		
	T1600 1.66-GHz processor, 1-MB L2 cache, 667-MHz FSB	X	
Chipset	Northbridge: Intel GL40	X	
	Northbridge: Intel GM45		X
	Southbridge: Intel ICH9M	X	X
Graphics	Intel Unified Memory Architecture (UMA) graphics subsystem integrated with shared system memory (dynamically allocated)	X	X
Panel	12.1-inch WXGA panel (1280 x 800) BrightView with integrated webcam	X	X
	All display assemblies include 2 wireless local area network (WLAN) antennae	X	X
Webcam	Integrated low-light VGA camera	X	X

(Continued)

Category	Description	Models with GL40 system board	Models with GM45 system board
Memory	2 customer-accessible/upgradable memory module slots	X	X
	Supports dual-channel memory	X	X
	Supports up to 4 GB of system RAM	X	X
	PC2-6400, 800-MHz, DDR2	X	X
	PC2-6400, 800-MHz, DDR2 supports the following configurations:		
	■ 4096-MB total system memory (2048 × 2, dual-channel)	X	X
	■ 3072-MB total system memory (2048 + 1024)	X	X
	■ 2048-MB total system memory (1024 × 2, dual-channel)	X	X
	■ 2048-MB total system memory (2048 × 1)	X	X
	■ 1024-MB total system memory (1024 × 1)	X	X
Hard drives	Supports 9.5-mm, 2.5-inch hard drives	X	X
	Customer-accessible	X	X
	Serial ATA	X	X
	Supports the following drives:		
	■ 400-GB, 5400-rpm	X	X
	■ 320-GB, 5400-rpm	X	X
	■ 250-GB, 5400-rpm	X	X
	■ 160-GB, 5400-rpm	X	X
Optical drives	Fixed (removal of 1 screw required)	X	X
	Customer-accessible	X	X
	Serial ATA	X	X
	Supports no-optical-drive option	X	X
	Supports the following drives:		
	■ DVD/CD-RW Combo Drive	X	X
	■ DVD±RW SuperMulti Double-Layer Drive	X	X
	■ DVD±RW SuperMulti Double-Layer Drive with LightScribe	X	X
■ Blu-ray ROM DVD±RW SuperMulti DL Drive		X	
Diskette drive	Supports external USB diskette drive only	X	X
Microphone	Integrated mono microphone	X	X
Audio	Azalia audio	X	X
	2 speakers	X	X
Modem	56K V.92 1.5-inch data/fax modem with digital line guard	X	X
	Modem cable is not included	X	X

(Continued)

Category	Description	Models with GL40 system board	Models with GM45 system board
Ethernet	Intel Broadcom 88E8072 10/100/1000 network interface card (NIC)	X	X
	Ethernet cable included	X	X
Wireless	Integrated WLAN options by way of wireless module:		
	2 wireless antennae built into display assembly	X	X
	Supports no-WLAN option	X	X
	Support for the following WLAN formats:		
	■ Broadcom 802.11a/b/g/n	X	X
	■ Intel 802.11a/b/g/n	X	X
	■ Broadcom 802.11b/g	X	X
	Integrated personal area network (PAN) options by way of Bluetooth® module:		
	Support for no-WPAN option	X	X
	Broadcom Bluetooth	X	X
External media card	One ExpressCard slot, supporting optical ExpressCard/34 cards	X	X
	Digital Media Slot supporting MMC and SD Memory Cards	X	X
Ports	Audio-in (mono microphone)	X	X
	Audio-out (stereo headphone)	X	X
	HDMI	X	X
	RJ-11 (modem)	X	X
	RJ-45 (Ethernet, includes link and activity lights)	X	X
	USB (3)	X	X
	VGA (Dsub 15-pin) supporting 1600 × 1200 external resolution at 75 GHz (hot plug/unplug with auto-detect)	X	X
	Multi-pin AC power	X	X
Docking	None	X	X
Keyboard/pointing devices	Spill-resistant full-size keyboard	X	X
	TouchPad with 2 TouchPad buttons	X	X
	Supports 2-way scroll	X	X
	Taps enabled as default	X	X
	Windows Vista® Hardware Start Button	X	X
Power requirements	65-W AC adapter with localized and pointing stick cable plug support (3-wire plug with ground pin, supports 3-pin DC connector)	X	X
	4-cell, 37-Wh Li-ion battery	X	X
	8-cell, 73-Wh Li-ion battery	X	X
Security	Security cable slot	X	X

(Continued)



Category	Description	Models with GL40 system board	Models with GM45 system board
Operating system	Preinstalled:		
	Windows Vista® Home Basic 32 with Office 2007 Ready	X	X
	Windows Vista Business 32 with Office 2007 Ready	X	X
	Windows Vista Home Premium 32 with Office 2007 Ready	X	X
	FreeDOS	X	X
Serviceability	End-user replaceable parts:		
	AC adapter	X	X
	Battery (system)	X	X
	Hard drive	X	X
	Memory module	X	X
	Optical drive	X	X
	WLAN module	X	X

External component identification

Top components

Display components



Item	Component	Description
❶	Wireless antennae (2) (select models only)	Send and receive signals from one or more wireless devices.  The antennae are not visible from the outside of the computer. For optimal transmission, keep the areas immediately around the antennae free from obstructions. To see wireless regulatory notices, refer to the section of the <i>Regulatory, Safety and Environmental Notices</i> that applies to your country or region. These notices are located in Help and Support.
❷	Internal microphones (2) (select models only)	Record sound.  All models have at least 1 internal microphone.
❸	Webcam light (select models only)	On: The webcam is in use.
❹	Webcam (select models only)	Records audio and video and captures still photographs.

TouchPad




Item	Component	Function
①	TouchPad*	Moves the pointer and selects or activates items on the screen.
②	Left TouchPad button*	Functions like the left button on an external mouse.
③	Right TouchPad button*	Functions like the right button on an external mouse.
④	TouchPad scroll zone	Scrolls up or down.

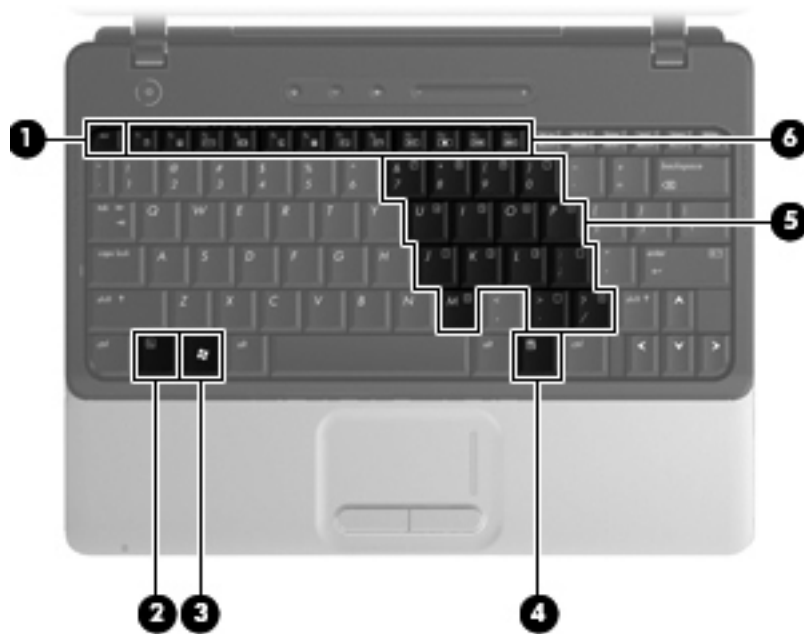
*This table describes factory settings. To view or change device preferences, select **Start > Control Panel > Hardware and Sound > Mouse**.

Buttons



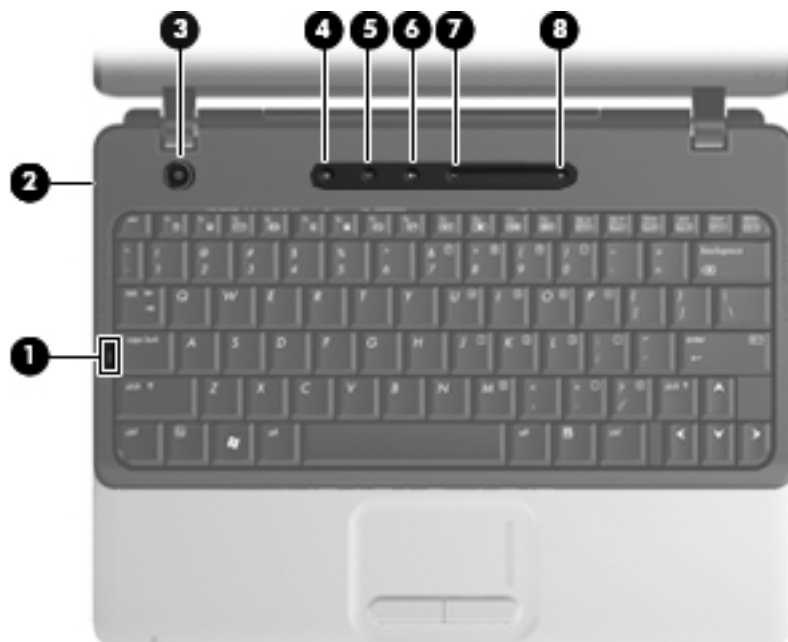
Item	Component	Description
❶	Power button	<ul style="list-style-type: none"> ■ When the computer is off, press the button to turn on the computer. ■ When the computer is on, press the button to shut down the system. ■ When the computer is in Hibernation, press the button briefly to exit Hibernation. ■ When the computer is in the Sleep state, press the button briefly to exit the Sleep state. <p>If the computer has stopped responding and Windows® shutdown procedures are ineffective, press and hold the power button for at least 5 seconds to turn off the computer.</p> <p>To learn more about power settings, Select Start > Control Panel > System and Maintenance > Power Options.</p>
❷	Media button	Launches the QuickPlay program.
❸	Wireless button	<p>Turns the wireless feature on or off, but does not establish a wireless connection.</p> <p> You must set up or access a wireless network to establish a wireless connection.</p>
❹	Volume mute button	Mutes and restores speaker sound.
❺	Volume down button	Decreases speaker sound.
❻	Volume up button	Increases speaker sound.

Keys



Item	Component	Function
❶	esc key	Displays system information when pressed in combination with the fn key.
❷	fn key	Executes frequently used system functions when pressed in combination with a function key or the esc key.
❸	Windows logo key	Displays the Windows Start menu.
❹	Windows applications key	Displays a shortcut menu for items beneath the pointer.
❺	Embedded numeric keypad keys	Can be used like the keys on an external numeric keypad.
❻	Function keys	Execute frequently used system functions when pressed in combination with the fn key.

Lights



Item	Component	Description
❶	Caps lock light	On: Caps lock is on.
❷	Battery light (beside power connector)	<ul style="list-style-type: none"> ■ Amber: A battery is charging. ■ Green: A battery is close to full charge capacity. ■ Blinking amber: A battery that is the only available power source has reached a low battery level. When the battery reaches a critical battery level, the battery light begins blinking rapidly. ■ Off: If the computer is plugged into an external power source, the light turns off when all batteries in the computer are fully charged. If the computer is not plugged into an external power source, the light stays off until the battery reaches a low battery level.
❸	Power light	<ul style="list-style-type: none"> ■ On: The computer is on. ■ Blinking: The computer is in the Sleep state. ■ Blinking rapidly: An AC adapter with a higher power rating should be connected. ■ Off: The computer is off or in Hibernation.
❹	QuickPlay light	On: The QuickPlay program is launched.
❺	Wireless light	<ul style="list-style-type: none"> ■ Blue: An integrated wireless device, such as a wireless local area network (WLAN) device, an HP Broadband Wireless Module, and/or a Bluetooth® device, is on. ■ Amber: All wireless devices are off.
❻	Volume mute light	<ul style="list-style-type: none"> ■ Off: Computer sound is on. ■ On: Computer sound is off.
❼	Volume down light	Blinking: The volume scroll zone is being used to decrease speaker volume.
❽	Volume up light	Blinking: The volume scroll zone is being used to increase speaker volume.

Front components



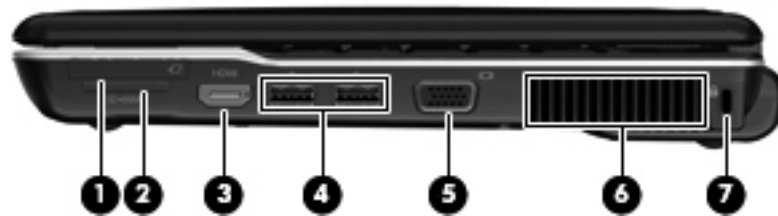
Item	Component	Description
❶	Drive light	<ul style="list-style-type: none"> ■ Blinking green: The hard drive or optical drive is being accessed. ■ Amber: (select models only) HP 3D DriveGuard has temporarily parked the hard drive.
❷	Audio-in (microphone) jack	Connects an optional computer headset microphone, stereo array microphone, or monaural microphone.
❸	Audio-out (headphone) jack	Produces sound when connected to optional powered stereo speakers, headphones, ear buds, a headset, or television audio.



Left-side components



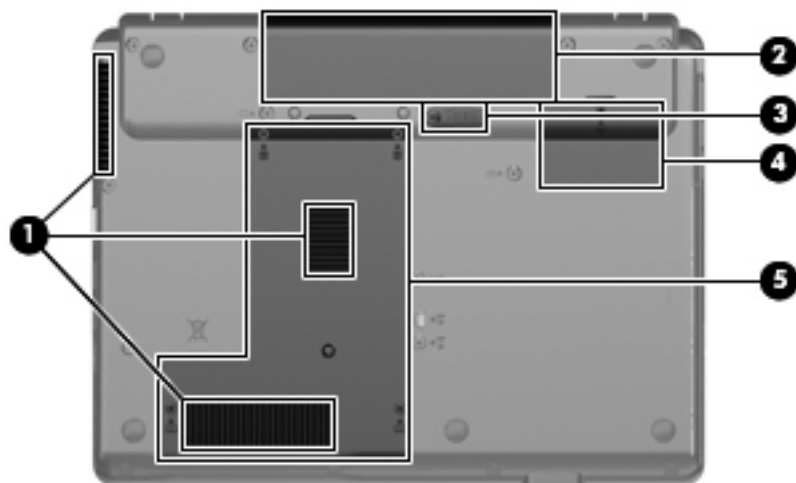
Item	Component	Function
❶	Battery light	<ul style="list-style-type: none"> ■ Amber: A battery is charging. ■ Turquoise: A battery is close to full charge capacity. ■ Blinking amber: A battery that is the only available power source has reached a low battery level. When the battery reaches a critical battery level, the battery light begins blinking rapidly. ■ Off: If the computer is plugged into an external power source, the light turns off when all batteries in the computer are fully charged. If the computer is not plugged into an external power source, the light stays off until the battery reaches a low battery level.
❷	Power connector	Connects an AC adapter.
❸	RJ-45 (network) jack	Connects a network cable.
❹	RJ-11 (modem) jack	Connects a modem cable.
❺	USB port	Connects an optional USB device.
❻	Optical drive	Reads optical discs and, on select models, also writes to optical discs.



Right-side components



Item	Component	Function
❶	ExpressCard slot (select models only)	Supports optional ExpressCards.
❷	Digital Media Slot (select models only)	Supports the following optional digital card formats: <ul style="list-style-type: none"> ■ MultiMedia Card ■ MultiMedia Card Plus ■ Secure Digital (SD) Memory Card ■ Secure Digital High Capacity Memory Card
❸	HDMI port (select models only)	Connects an optional video or audio device, such as a high-definition television or any compatible digital or audio component.
❹	USB ports (2) (select models only)	Connect optional USB devices.
❺	External monitor port	Connects an external VGA monitor or projector.
❻	Vent	Enables airflow to cool internal components. <p> The computer fan starts up automatically to cool internal components and prevent overheating. It is normal for the internal fan to cycle on and off during routine operation.</p>
❼	Security cable slot	Attaches an optional security cable to the computer. <p> The security cable is designed to act as a deterrent, but it may not prevent the computer from being mishandled or stolen.</p>

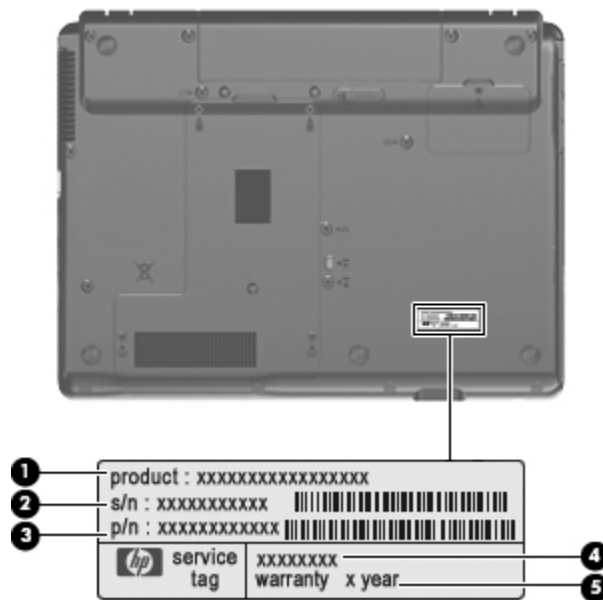
Bottom components



Item	Component	Function
❶	Vents (3)	<p>Enables airflow to cool internal components.</p> <p> The computer fan starts up automatically to cool internal components and prevent overheating. It is normal for the internal fan to cycle on and off during routine operation.</p>
❷	Battery bay	Holds the battery.
❸	Battery release latch	Releases the battery from the battery bay.
❹	Wireless module compartment	<p>Holds a WLAN module (select models only).</p> <p> To prevent an unresponsive system, replace the module only with a wireless module authorized for use in the computer by the governmental agency that regulates wireless devices in your country or region. If you replace the module and then receive a warning message, remove the module to restore computer functionality, and then contact technical support through Help and Support.</p>
❺	Hard drive bay	Holds the hard drive and two memory modules.

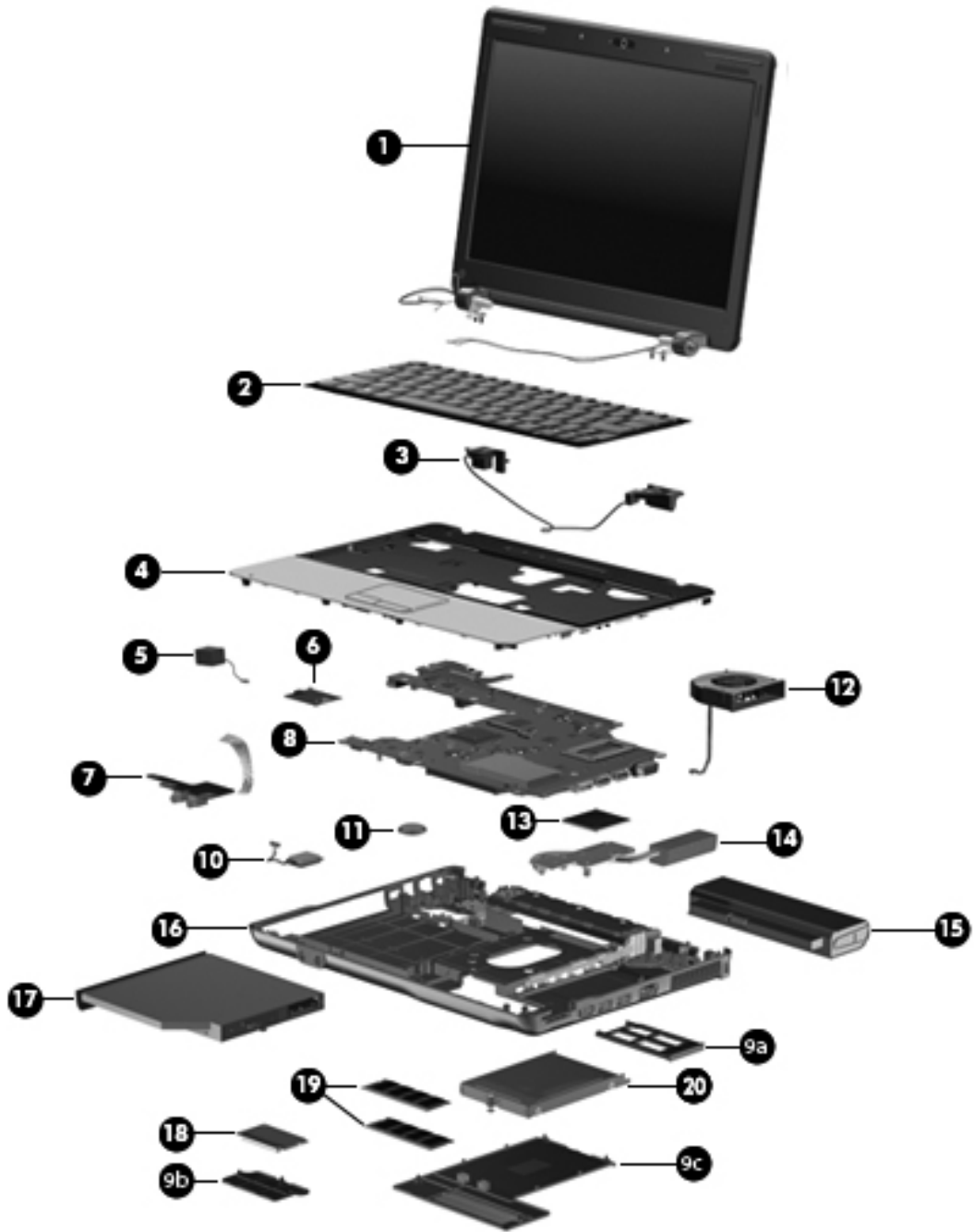
Serial number location



When ordering parts or requesting information, provide the computer serial number and model number located on the bottom of the computer.



Item	Component	Description
①	Product name	This is the product name affixed to the front of your computer.
②	Serial number (s/n)	This is an alphanumeric identifier that is unique to each product.
③	Part number/Product number (p/n)	This number provides specific information about the product's hardware components. The part number helps a service technician to determine what components and parts are needed.
④	Model description	This is the number you use to locate documents, drivers, and support for your computer.
⑤	Warranty period	This number describes the duration (in years) of the warranty period for this computer.

Computer major components



Item	Description	Spare Part Number
(1)	Display assembly (includes 2 WLAN antenna transceivers and cables, nameplate, and logo) 12.1-inch, WXGA BrightView display assembly with webcam	492154-001
	Display internal components (not illustrated)	
	12.1-inch, WXGA BrightView display panel	492153-001
	Webcam with cable	492159-001
	Display bezel	492156-001
	Display inverter	493193-001
	Display hinges	493192-001
	Display hinge covers	495018-001
	Display cables (includes display, microphone, webcam, and antenna cables)	492158-001
	Display nameplate	493964-001
	Display enclosure	492155-001
	Display Miscellaneous Kit (includes rubber feet, screw covers, and hinge cover)	492157-001
(2)	Keyboard (includes keyboard cable) For use in South Korea	493960-AD1
	For use in Taiwan	493960-AB1
	For use in Thailand	493960-281
	For use in the United States	493960-001
(3)	Speaker assembly	493273-001
(4)	Top cover (includes TouchPad and cable, LED board and cable, and switch cover)	493962-001
(5)	Modem module cable with RJ-11 jack (included in the Cable Kit, spare part number 493275-001. See "Cable Kit" on page 3-7 for more Cable Kit information.)	
(6)	Modem module  The modem module spare part kit does not include a modem module cable. The modem module cable is included in the Cable Kit, spare part number 493275-001. See "Cable Kit" on page 3-7 for more Cable Kit information.	461749-001
(7)	Audio board	493272-001
(8)	System board GM45 (includes RTC battery and replacement thermal material)	492152-001
	GL40 (includes RTC battery and replacement thermal material)	504452-001
	Plastics Kit (see "Plastics Kit" on page 3-8 for more Plastics Kit spare part information)	506695-001
(9a)	ExpressCard slot bezel	
(9b)	WLAN module compartment cover	
(9c)	Hard drive cover	
(10)	Bluetooth module  The Bluetooth module spare part kit does not include a Bluetooth module cable. The Bluetooth module cable is included in the Cable Kit, spare part number 493275-001. See "Cable Kit" on page 3-7 for more Cable Kit information.	398393-002
(11)	RTC battery	449137-001

(Continued)

Item	Description	Spare Part Number
(12)	Fan	493269-001
(13)	Processor (includes replacement thermal material)	
	Intel Core2 Duo processors (6-MB L2 cache, 1066-MHz FSB):	
	■ T9600 2.8-GHz processor	486257-001
	■ T9400 2.53-GHz processor	486256-001
	■ P9500 2.53-GHz processor	496458-001
	Intel Core2 Duo processors (3-MB L2 cache, 1066-MHz FSB):	
	■ P8600 2.4-GHz processor	486255-001
	■ P8400 2.26-GHz processor	486254-001
	■ P7350 2.0-GHz processor	496459-001
	Intel Celeron-M processors (1-MB L2 cache, 667-MHz FSB):	
	■ 585 2.16-GHz processor	490337-001
	■ 575 2.0-GHz processor	490336-001
	Intel Celeron-T processor (1-MB L2 cache, 667-MHz FSB):	
	■ T1600 1.66-Ghz processor	506303-001
	Intel Core Duo processors (2-MB L2 cache, 800-MHz FSB):	
	■ T5900 2.2-Ghz processor	506307-001
	■ T5800 2.0-Ghz processor	506306-001
	Intel Core Duo processors (1-MB L2 cache, 667-MHz FSB):	
	■ T3400 2.16-Ghz processor	506305-001
	■ T3200 2.0-Ghz processor	506304-001
(14)	Thermal module (includes heat sink and thermal material)	493270-001
(15)	Battery	
	4-cell, 37-Wh	493202-001
	8-cell, 73-Wh	501935-001
(16)	Base enclosure (includes rubber feet)	493271-001
(17)	Optical drive (includes optical drive bezel and bracket)	
	DVD/CD-RW Combo Drive	493200-001
	DVD±RW and CD-RW SuperMulti Double-Layer Drive	495017-001
	DVD±RW and CD-RW SuperMulti Double-Layer Drive with LightScribe	493961-001
	Blu-ray ROM DVD±RW SuperMulti DL Drive	497536-001
	Rubber Kit (not illustrated, contains 5 computer feet)	493276-001

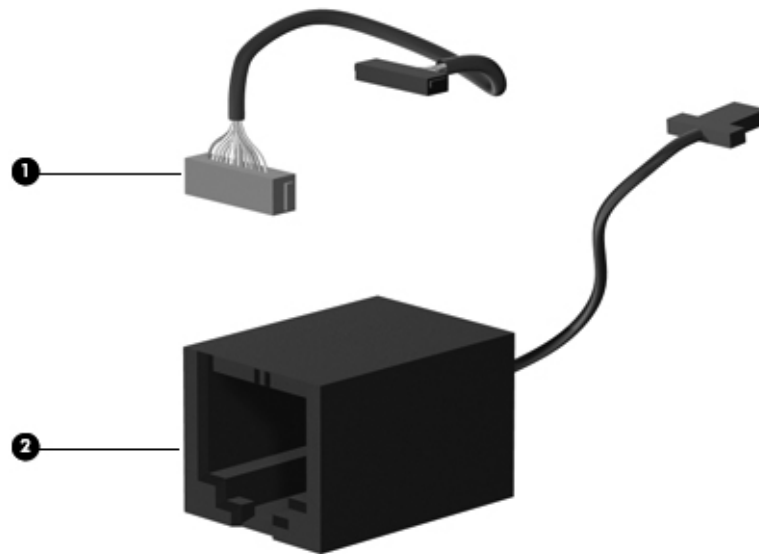
(Continued)

Item	Description	Spare Part Number
(18)	WLAN module	
	Broadcom 802.11a/b/g/n WLAN module:	
	<ul style="list-style-type: none"> ■ For use in Afghanistan, Albania, Algeria, Andorra, Angola, Antigua and Barbuda, Argentina, Armenia, Aruba, Australia, Austria, Azerbaijan, the Bahamas, Bahrain, Bangladesh, Barbados, Belarus, Belgium, Belize, Benin, Bermuda, Bhutan, Bolivia, Bosnia and Herzegovina, Botswana, Brazil, the British Virgin Islands, Brunei, Bulgaria, Burkina Faso, Burundi, Cameroon, Cape Verde, the Central African Republic, Chad, Chile, People's Republic of China, Colombia, Comoros, the Congo, Costa Rica, Croatia, Cyprus, the Czech Republic, Denmark, Djibouti, Dominica, the Dominican Republic, East Timor, Ecuador, Egypt, El Salvador, Equatorial Guinea, Eritrea, Estonia, Ethiopia, Fiji, Finland, France, French Guiana, Gabon, Gambia, Georgia, Germany, Ghana, Gibraltar, Greece, Grenada, Guadeloupe, Guatemala, Guinea, Guinea-Bissa, Guyana, Haiti, Honduras, Hong Kong, Hungary, Iceland, India, Ireland, Israel, Italy, the Ivory Coast, Jamaica, Japan, Jordan, Kazakhstan, Kenya, Kiribati, Kyrgyzstan, Laos, Latvia, Lebanon, Lesotho, Liberia, Liechtenstein, Lithuania, Luxembourg, Macedonia, Madagascar, Malawi, Malaysia, the Maldives, Mali, Malta, the Marshall Islands, Martinique, Mauritania, Mauritius, Mexico, Micronesia, Monaco, Mongolia, Montenegro, Morocco, Mozambique, Namibia, Nauru, Nepal, the Nether Antilles, the Netherlands, New Zealand, Nicaragua, Niger, Nigeria, Norway, Oman, Pakistan, Palau, Panama, Papua New Guinea, Paraguay, Peru, the Philippines, Poland, Portugal, the Republic of Moldova, Romania, Russia, Rwanda, Samoa, San Marino, Sao Tome & Principe, Saudi Arabia, Senegal, Serbia and Montenegro, the Seychelles, Sierra Leone, Singapore, Slovakia, Slovenia, the Solomon Islands, Somalia, South Africa, South Korea, Spain, Sri Lanka, St. Kitts & Nevis, St. Lucia, St. Vincent & Grenada, Suriname, Swaziland, Sweden, Switzerland, Taiwan, Tajikistan, Tanzania, Togo, Tonga, Trinidad and Tobago, Tunisia, Turkey, Turkmenistan, Tuvalu, Uganda, Ukraine, the United Arab Emirates, the United Kingdom, Uruguay, Uzbekistan, Vanuatu, Venezuela, Vietnam, Yemen, Zaire, Zambia, and Zimbabwe 	487330-002
	Broadcom 802.11b/g WLAN module:	
	<ul style="list-style-type: none"> ■ For use in Afghanistan, Albania, Algeria, Andorra, Angola, Antigua and Barbuda, Argentina, Armenia, Aruba, Australia, Austria, Azerbaijan, the Bahamas, Bahrain, Bangladesh, Barbados, Belarus, Belgium, Belize, Benin, Bermuda, Bhutan, Bolivia, Bosnia and Herzegovina, Botswana, Brazil, the British Virgin Islands, Brunei, Bulgaria, Burkina Faso, Burundi, Cameroon, Cape Verde, the Central African Republic, Chad, Chile, People's Republic of China, Colombia, Comoros, the Congo, Costa Rica, Croatia, Cyprus, the Czech Republic, Denmark, Djibouti, Dominica, the Dominican Republic, East Timor, Ecuador, Egypt, El Salvador, Equatorial Guinea, Eritrea, Estonia, Ethiopia, Fiji, Finland, France, French Guiana, Gabon, Gambia, Georgia, Germany, Ghana, Gibraltar, Greece, Grenada, Guadeloupe, Guatemala, Guinea, Guinea-Bissa, Guyana, Haiti, Honduras, Hong Kong, Hungary, Iceland, India, Ireland, Israel, Italy, the Ivory Coast, Jamaica, Japan, Jordan, Kazakhstan, Kenya, Kiribati, Kyrgyzstan, Laos, Latvia, Lebanon, Lesotho, Liberia, Liechtenstein, Lithuania, Luxembourg, Macedonia, Madagascar, Malawi, Malaysia, the Maldives, Mali, Malta, the Marshall Islands, Martinique, Mauritania, Mauritius, Mexico, Micronesia, Monaco, Mongolia, Montenegro, Morocco, Mozambique, Namibia, Nauru, Nepal, the Nether Antilles, the Netherlands, New Zealand, Nicaragua, Niger, Nigeria, Norway, Oman, Pakistan, Palau, Panama, Papua New Guinea, Paraguay, Peru, the Philippines, Poland, Portugal, the Republic of Moldova, Romania, Russia, Rwanda, Samoa, San Marino, Sao Tome & Principe, Saudi Arabia, Senegal, Serbia and Montenegro, the Seychelles, Sierra Leone, Singapore, Slovakia, Slovenia, the Solomon Islands, Somalia, South Africa, South Korea, Spain, Sri Lanka, St. Kitts & Nevis, St. Lucia, St. Vincent & Grenada, Suriname, Swaziland, Sweden, Switzerland, Taiwan, Tajikistan, Tanzania, Togo, Tonga, Trinidad and Tobago, Tunisia, Turkey, Turkmenistan, Tuvalu, Uganda, Ukraine, the United Arab Emirates, the United Kingdom, Uruguay, Uzbekistan, Vanuatu, Venezuela, Vietnam, Yemen, Zaire, Zambia, and Zimbabwe 	459263-002
	Intel 802.11a/b/g/n WLAN module:	
	<ul style="list-style-type: none"> ■ For use in Canada, the Cayman Islands, Guam, Puerto Rico, the U.S. Virgin Islands, and the United States 	480985-001

(Continued)

Item	Description	Spare Part Number
(19)	Memory module	
	2048-MB	493195-001
	1024-MB	493194-001
(20)	Hard drive (includes hard drive bracket)	
	400-GB, 5400-rpm	512573-001
	320-GB, 5400-rpm	493199-001
	250-GB, 5400-rpm	493198-001
	160-GB, 5400-rpm	493197-001
	120-GB, 5400-rpm	493196-001
	Cable Kit (not illustrated)	493275-001

Cable Kit



Item	Description	Spare part number
	Cable Kit:	493275-001
①	Bluetooth module cable	
②	Modem module cable (includes RJ-11 jack)	

Plastics Kit



Item	Description	Spare part number
	Plastics Kit:	506695-001
❶	Hard drive cover (includes one captive screw, secured by a C-clip)	
❷	Wireless module compartment cover (includes one captive screw, secured by a C-clip)	
❸	ExpressCard slot bezel	
❹	SD Memory Card slot bezel	

Mass storage devices





Item	Description	Spare part number
❶	Optical drive (includes bezel)	
	DVD/CD-RW Combo Drive	493200-001
	DVD±RW and CD-RW Supermulti Double-Layer Drive	495017-001
	DVD±RW and CD-RW Supermulti Double-Layer Drive with LightScribe	493961-001
	Blu-ray ROM DVD±RW SuperMulti DL Drive	497536-001
❷	Hard drive (includes bracket)	
	400-GB, 5400-rpm	512573-001
	320-GB, 5400-rpm	493199-001
	250-GB, 5400-rpm	493198-001
	160-GB, 5400-rpm	493197-001
	120-GB, 5400-rpm	493196-001

Miscellaneous parts

Description	Spare part number
65-W AC adapter	463958-001
Power cords:	
For use in North America	490371-001
For use in the United Kingdom and Singapore	490371-031
For use in the People's Republic of China	490371-AA1
For use in Brazil	490371-201
For use in Australia	490371-011
For use in India	490371-D61
For use in South Korea	490371-AD1
For use in Taiwan	490371-AB1
Screw Kit	
■ Torx T8M2.5 x 6.0 screws (14)	493277-001
■ Phillips PM2.0 x 4.0 screws (5)	
■ Phillips PM2.5 x 5.0 screws (7)	
■ Phillips PM2.0 x 3.0 screws (3)	
■ Phillips PM2.5 x 2.5 screws (4)	
■ Phillips PM2.0 x 2.0 screws (3)	

Sequential part number listing

Spare part number	Description
398393-002	Bluetooth module  The Bluetooth module spare part kit does not include a Bluetooth module cable. The Bluetooth module cable is included in the Cable Kit, spare part number 493275-001.
449137-001	RTC battery
459263-002	Broadcom 802.11b/g WLAN module for use in Afghanistan, Albania, Algeria, Andorra, Angola, Antigua and Barbuda, Argentina, Armenia, Aruba, Australia, Austria, Azerbaijan, the Bahamas, Bahrain, Bangladesh, Barbados, Belarus, Belgium, Belize, Benin, Bermuda, Bhutan, Bolivia, Bosnia and Herzegovina, Botswana, Brazil, the British Virgin Islands, Brunei, Bulgaria, Burkina Faso, Burundi, Cameroon, Cape Verde, the Central African Republic, Chad, Chile, People's Republic of China, Colombia, Comoros, the Congo, Costa Rica, Croatia, Cyprus, the Czech Republic, Denmark, Djibouti, Dominica, the Dominican Republic, East Timor, Ecuador, Egypt, El Salvador, Equatorial Guinea, Eritrea, Estonia, Ethiopia, Fiji, Finland, France, French Guiana, Gabon, Gambia, Georgia, Germany, Ghana, Gibraltar, Greece, Grenada, Guadeloupe, Guatemala, Guinea, Guinea-Bissa, Guyana, Haiti, Honduras, Hong Kong, Hungary, Iceland, India, Ireland, Israel, Italy, the Ivory Coast, Jamaica, Japan, Jordan, Kazakhstan, Kenya, Kiribati, Kyrgyzstan, Laos, Latvia, Lebanon, Lesotho, Liberia, Liechtenstein, Lithuania, Luxembourg, Macedonia, Madagascar, Malawi, Malaysia, the Maldives, Mali, Malta, the Marshall Islands, Martinique, Mauritania, Mauritius, Mexico, Micronesia, Monaco, Mongolia, Montenegro, Morocco, Mozambique, Namibia, Nauru, Nepal, the Nether Antilles, the Netherlands, New Zealand, Nicaragua, Niger, Nigeria, Norway, Oman, Pakistan, Palau, Panama, Papua New Guinea, Paraguay, Peru, the Philippines, Poland, Portugal, the Republic of Moldova, Romania, Russia, Rwanda, Samoa, San Marino, Sao Tome & Principe, Saudi Arabia, Senegal, Serbia and Montenegro, the Seychelles, Sierra Leone, Singapore, Slovakia, Slovenia, the Solomon Islands, Somalia, South Africa, South Korea, Spain, Sri Lanka, St. Kitts & Nevis, St. Lucia, St. Vincent & Grenada, Suriname, Swaziland, Sweden, Switzerland, Taiwan, Tajikistan, Tanzania, Togo, Tonga, Trinidad and Tobago, Tunisia, Turkey, Turkmenistan, Tuvalu, Uganda, Ukraine, the United Arab Emirates, the United Kingdom, Uruguay, Uzbekistan, Vanuatu, Venezuela, Vietnam, Yemen, Zaire, Zambia, and Zimbabwe
461749-001	Modem module  The modem module spare part kit does not include a modem module cable. The modem module cable is included in the Cable Kit, spare part number 493275-001.
463958-001	65-W AC adapter
480985-001	Intel 802.11a/b/g/n WLAN modules for use in Canada, the Cayman Islands, Guam, Puerto Rico, the U.S. Virgin Islands, and the United States
486254-001	Intel Core 2 Duo processor (3-MB L2 cache, 1066-MHz FSB), P8400 2.26-GHz (includes replacement thermal material)
486255-001	Intel Core 2 Duo processor (3-MB L2 cache, 1066-MHz FSB), P8600 2.4-GHz (includes replacement thermal material)
486256-001	Intel Core 2 Duo processor (6-MB L2 cache, 1066-MHz FSB), T9400 2.53-GHz (includes replacement thermal material)
486257-001	Intel Core 2 Duo processor (6-MB L2 cache, 1066-MHz FSB), T9600 2.8-GHz (includes replacement thermal material)

(Continued)

Spare part number	Description
487330-002	Broadcom 802.11a/b/g/n WLAN module for use in Afghanistan, Albania, Algeria, Andorra, Angola, Antigua and Barbuda, Argentina, Armenia, Aruba, Australia, Austria, Azerbaijan, the Bahamas, Bahrain, Bangladesh, Barbados, Belarus, Belgium, Belize, Benin, Bermuda, Bhutan, Bolivia, Bosnia and Herzegovina, Botswana, Brazil, the British Virgin Islands, Brunei, Bulgaria, Burkina Faso, Burundi, Cameroon, Cape Verde, the Central African Republic, Chad, Chile, People's Republic of China, Colombia, Comoros, the Congo, Costa Rica, Croatia, Cyprus, the Czech Republic, Denmark, Djibouti, Dominica, the Dominican Republic, East Timor, Ecuador, Egypt, El Salvador, Equatorial Guinea, Eritrea, Estonia, Ethiopia, Fiji, Finland, France, French Guiana, Gabon, Gambia, Georgia, Germany, Ghana, Gibraltar, Greece, Grenada, Guadeloupe, Guatemala, Guinea, Guinea-Bissa, Guyana, Haiti, Honduras, Hong Kong, Hungary, Iceland, India, Ireland, Israel, Italy, the Ivory Coast, Jamaica, Japan, Jordan, Kazakhstan, Kenya, Kiribati, Kyrgyzstan, Laos, Latvia, Lebanon, Lesotho, Liberia, Liechtenstein, Lithuania, Luxembourg, Macedonia, Madagascar, Malawi, Malaysia, the Maldives, Mali, Malta, the Marshall Islands, Martinique, Mauritania, Mauritius, Mexico, Micronesia, Monaco, Mongolia, Montenegro, Morocco, Mozambique, Namibia, Nauru, Nepal, the Nether Antilles, the Netherlands, New Zealand, Nicaragua, Niger, Nigeria, Norway, Oman, Pakistan, Palau, Panama, Papua New Guinea, Paraguay, Peru, the Philippines, Poland, Portugal, the Republic of Moldova, Romania, Russia, Rwanda, Samoa, San Marino, Sao Tome & Principe, Saudi Arabia, Senegal, Serbia and Montenegro, the Seychelles, Sierra Leone, Singapore, Slovakia, Slovenia, the Solomon Islands, Somalia, South Africa, South Korea, Spain, Sri Lanka, St. Kitts & Nevis, St. Lucia, St. Vincent & Grenada, Suriname, Swaziland, Sweden, Switzerland, Taiwan, Tajikistan, Tanzania, Togo, Tonga, Trinidad and Tobago, Tunisia, Turkey, Turkmenistan, Tuvalu, Uganda, Ukraine, the United Arab Emirates, the United Kingdom, Uruguay, Uzbekistan, Vanuatu, Venezuela, Vietnam, Yemen, Zaire, Zambia, and Zimbabwe
490336-001	Intel Celeron-M processor (1-MB L2 cache, 667-MHz FSB), 575 2.0-GHz (includes replacement thermal material)
490337-001	Intel Celeron-M processor (1-MB L2 cache, 667-MHz FSB), 585 2.16-GHz (includes replacement thermal material)
490371-001	Power cord for use in North America
490371-011	Power cord for use in Australia
490371-031	Power cord for use in the United Kingdom and Singapore
490371-201	Power cord for use in Brazil
490371-AA1	Power cord for use in the People's Republic of China
490371-AB1	Power cord for use in Taiwan
490371-AD1	Power cord for use in Korea
490371-D61	Power cord for use in India
492152-001	System board, GM45 (includes RTC battery and replacement thermal material)
492153-001	12.1-inch, WXGA BrightView display panel
492154-001	12.1-inch, WXGA BrightView display assembly with webcam
492155-001	Display enclosure
492156-001	Display bezel
492157-001	Display Miscellaneous Kit (includes rubber feet, screw covers, and hinge cover)
492158-001	Display cables (includes display, microphone, and antenna cables)
492159-001	Webcam with cable
493192-001	Display hinges
493193-001	Display inverter
493194-001	Memory module, 1024-MB
493195-001	Memory module, 2048-MB

(Continued)

Spare part number	Description
493196-001	Hard drive, 120-GB, 5400-rpm
493197-001	Hard drive, 160-GB, 5400-rpm
493198-001	Hard drive, 250-GB, 5400-rpm
493199-001	Hard drive, 320-GB, 5400-rpm
493200-001	DVD/CD-RW Combo Drive (includes drive bezel and bracket)
493202-001	Battery, 4-cell, 37-Wh
493269-001	Fan
493270-001	Thermal module (includes heat sink and thermal material)
493271-001	Base enclosure (includes rubber feet)
493272-001	Audio board
493273-001	Speaker assembly
493275-001	Cable Kit (see "Cable Kit" on page 3-7 for more Cable Kit information)
493276-001	Rubber Kit (contains 5 computer feet)
493277-001	Screw Kit
493960-001	Keyboard for use in the United States
493960-281	Keyboard for use in Thailand
493960-AB1	Keyboard for use in Taiwan
493960-AD1	Keyboard for use in South Korea
493961-001	DVD±RW and CD-RW SuperMulti Double-Layer Drive with LightScribe (includes drive bezel and bracket)
493962-001	Top cover (includes TouchPad and cable, LED board and cable, and switch cover)
493964-001	Display nameplate
495017-001	DVD±RW and CD-RW SuperMulti Double-Layer Drive (includes drive bezel and bracket)
495018-001	Display hinge covers
496458-001	Intel Core2 Duo processor (6-MB L2 cache, 1066-MHz FSB), T9500 2.53-GHz (includes replacement thermal material)
496459-001	Intel Core2 Duo processor (3-MB L2 cache, 1066-MHz FSB), P7350 2.0-GHz (includes replacement thermal material)
497536-001	Blu-ray ROM DVD±RW SuperMulti DL Drive (includes drive bezel and bracket)
501935-001	Battery, 8-cell, 73-Wh
504452-001	System board, GL40 (includes RTC battery and replacement thermal material)
506303-001	Intel Celeron-T processor (1-MB L2 cache, 667-MHz FSB) T1600 1.66-GHz (includes replacement thermal material)
506304-001	Intel Core Duo processor (1-MB L2 cache, 667-MHz FSB) T3200 2.0-GHz (includes replacement thermal material)
506305-001	Intel Core Duo processor (1-MB L2 cache, 667-MHz FSB) T3400 2.16-GHz (includes replacement thermal material)

(Continued)

Spare part number	Description
506306-001	Intel Core Duo processor (2-MB L2 cache, 800-MHz FSB) T5800 2.0-Ghz (includes replacement thermal material)
506307-001	Intel Core Duo processor (2-MB L2 cache, 800-MHz FSB) T5900 2.2-Ghz (includes replacement thermal material)
506695-001	Plastics Kit (see "Plastics Kit" on page 3-8 for more Plastics Kit spare part information)
512573-001	Hard drive, 400-GB, 5400-rpm

Removal and replacement procedures

Preliminary replacement requirements

Tools required

You will need the following tools to complete the removal and replacement procedures:

- Flat-bladed screwdriver
- Magnetic screwdriver
- Phillips P0 and P1 screwdrivers
- Torx T8 screwdriver

Service considerations

The following sections include some of the considerations that you must keep in mind during disassembly and assembly procedures.



As you remove each subassembly from the computer, place the subassembly (and all accompanying screws) away from the work area to prevent damage.

Plastic parts

Using excessive force during disassembly and reassembly can damage plastic parts. Use care when handling the plastic parts. Apply pressure only at the points designated in the maintenance instructions.

Cables and connectors



CAUTION: When servicing the computer, be sure that cables are placed in their proper locations during the reassembly process. Improper cable placement can damage the computer.

Cables must be handled with extreme care to avoid damage. Apply only the tension required to unseat or seat the cables during removal and insertion. Handle cables by the connector whenever possible. In all cases, avoid bending, twisting, or tearing cables. Be sure that cables are routed in such a way that they cannot be caught or snagged by parts being removed or replaced. Handle flex cables with extreme care; these cables tear easily.

Drive handling



CAUTION: Drives are fragile components that must be handled with care. To prevent damage to the computer, damage to a drive, or loss of information, observe these precautions:

- Before removing or inserting a hard drive, shut down the computer. If you are unsure whether the computer is off or in Hibernation, turn the computer on, and then shut it down through the operating system.
 - Before handling a drive, be sure that you are discharged of static electricity. While handling a drive, avoid touching the connector.
 - Before removing a diskette drive or optical drive, be sure that a diskette or disc is not in the drive and be sure that the optical drive tray is closed.
 - Handle drives on surfaces covered with at least one inch of shock-proof foam.
 - Avoid dropping drives from any height onto any surface.
 - After removing a hard drive, an optical drive, or a diskette drive, place it in a static-proof bag.
 - Avoid exposing a hard drive to products that have magnetic fields, such as monitors or speakers.
 - Avoid exposing a drive to temperature extremes or liquids.
 - If a drive must be mailed, place the drive in a bubble pack mailer or other suitable form of protective packaging and label the package "FRAGILE."
-

Grounding guidelines

Electrostatic discharge damage

Electronic components are sensitive to electrostatic discharge (ESD). Circuitry design and structure determine the degree of sensitivity. Networks built into many integrated circuits provide some protection, but in many cases, ESD contains enough power to alter device parameters or melt silicon junctions.

A discharge of static electricity from a finger or other conductor can destroy static-sensitive devices or microcircuitry. Even if the spark is neither felt nor heard, damage may have occurred.

An electronic device exposed to ESD may not be affected at all and may work perfectly throughout a normal cycle. Or the device may function normally for a while, and then degrade in the internal layers, reducing its life expectancy.



CAUTION: To prevent damage to the computer when you are removing or installing internal components, observe these precautions:

- Keep components in their electrostatic-safe containers until you are ready to install them.
 - Use nonmagnetic tools.
 - Before touching an electronic component, discharge static electricity by using the guidelines described in this section.
 - Avoid touching pins, leads, and circuitry. Handle electronic components as little as possible.
 - If you remove a component, place it in an electrostatic-safe container.
-

The following table shows how humidity affects the electrostatic voltage levels generated by different activities.



CAUTION: A product can be degraded by as little as 700 V.

Typical electrostatic voltage levels			
Event	Relative humidity		
	10%	40%	55%
Walking across carpet	35,000 V	15,000 V	7,500 V
Walking across vinyl floor	12,000 V	5,000 V	3,000 V
Motions of bench worker	6,000 V	800 V	400 V
Removing DIPS from plastic tube	2,000 V	700 V	400 V
Removing DIPS from vinyl tray	11,500 V	4,000 V	2,000 V
Removing DIPS from Styrofoam	14,500 V	5,000 V	3,500 V
Removing bubble pack from PCB	26,500 V	20,000 V	7,000 V
Packing PCBs in foam-lined box	21,000 V	11,000 V	5,000 V

Packaging and transporting guidelines

Follow these grounding guidelines when packaging and transporting equipment:

- To avoid hand contact, transport products in static-safe tubes, bags, or boxes.
- Protect ESD-sensitive parts and assemblies with conductive or approved containers or packaging.
- Keep ESD-sensitive parts in their containers until the parts arrive at static-free workstations.
- Place items on a grounded surface before removing items from their containers.
- Always be properly grounded when touching a component or assembly.
- Store reusable ESD-sensitive parts from assemblies in protective packaging or nonconductive foam.
- Use transporters and conveyors made of antistatic belts and roller bushings. Be sure that mechanized equipment used for moving materials is wired to ground and that proper materials are selected to avoid static charging. When grounding is not possible, use an ionizer to dissipate electric charges.

Workstation guidelines

Follow these grounding workstation guidelines:

- Cover the workstation with approved static-shielding material.
- Use a wrist strap connected to a properly grounded work surface and use properly grounded tools and equipment.
- Use conductive field service tools, such as cutters, screwdrivers, and vacuums.
- When fixtures must directly contact dissipative surfaces, use fixtures made only of static-safe materials.
- Keep the work area free of nonconductive materials, such as ordinary plastic assembly aids and Styrofoam.
- Handle ESD-sensitive components, parts, and assemblies by the case or PCM laminate. Handle these items only at static-free workstations.
- Avoid contact with pins, leads, or circuitry.
- Turn off power and input signals before inserting or removing connectors or test equipment.

Equipment guidelines

Grounding equipment must include either a wrist strap or a foot strap at a grounded workstation.

- When seated, wear a wrist strap connected to a grounded system. Wrist straps are flexible straps with a minimum of one megohm $\pm 10\%$ resistance in the ground cords. To provide proper ground, wear a strap snugly against the skin at all times. On grounded mats with banana-plug connectors, use alligator clips to connect a wrist strap.
- When standing, use foot straps and a grounded floor mat. Foot straps (heel, toe, or boot straps) can be used at standing workstations and are compatible with most types of shoes or boots. On conductive floors or dissipative floor mats, use foot straps on both feet with a minimum of one megohm resistance between the operator and ground. To be effective, the conductive strips must be worn in contact with the skin.

The following grounding equipment is recommended to prevent electrostatic damage:

- Antistatic tape
- Antistatic smocks, aprons, and sleeve protectors
- Conductive bins and other assembly or soldering aids
- Nonconductive foam
- Conductive tabletop workstations with ground cords of one megohm resistance

- Static-dissipative tables or floor mats with hard ties to the ground
- Field service kits
- Static awareness labels
- Material-handling packages
- Nonconductive plastic bags, tubes, or boxes
- Metal tote boxes
- Electrostatic voltage levels and protective materials

The following table lists the shielding protection provided by antistatic bags and floor mats.

Material	Use	Voltage protection level
Antistatic plastic	Bags	1,500 V
Carbon-loaded plastic	Floor mats	7,500 V
Metallized laminate	Floor mats	5,000 V

Unknown user password

If the computer you are servicing has an unknown user password, follow these steps to clear the password:



These steps also clear CMOS.

1. Shut down the computer. If you are unsure whether the computer is off or in Hibernation, turn the computer on, and then shut it down through the operating system.
2. Disconnect all external devices connected to the computer.
3. Disconnect the power from the computer by first unplugging the power cord from the AC outlet and then unplugging the AC adapter from the computer.
4. Remove the battery (see [“Battery” on page 4-7](#)).
5. Remove the real-time clock (RTC) battery (see [“RTC battery” on page 4-36](#)).
6. Wait approximately 5 minutes.
7. Replace the RTC battery and reassemble the computer.
8. Connect AC power to the computer. Do not reinsert any batteries at this time.
9. Turn on the computer.

All passwords and all CMOS settings have been cleared.

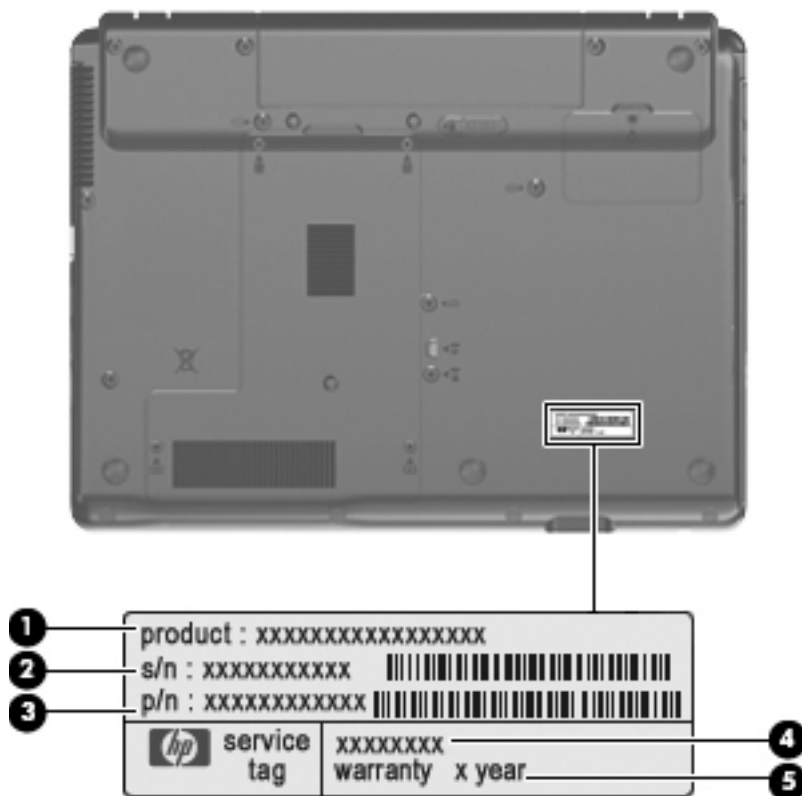
Component replacement procedures

This chapter provides removal and replacement procedures.

There are as many as 71 screws, in 14 different sizes, that must be removed, replaced, or loosened when servicing the computer. Make special note of each screw size and location during removal and replacement.

Serial number

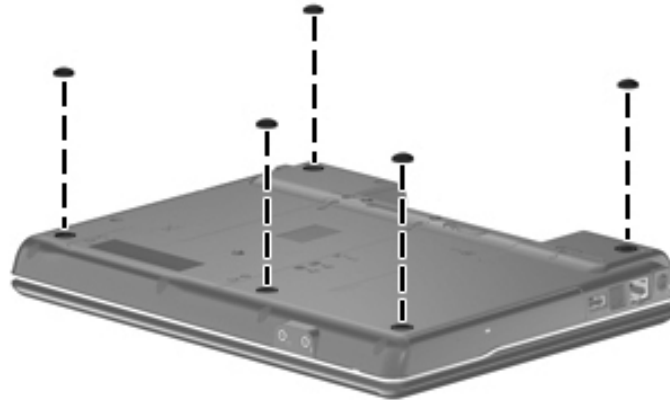
Report the computer serial number to HP when requesting information or ordering spare parts. The serial number is located on the bottom of the computer.



Item	Component	Description
①	Product name	This is the product name affixed to the front of your computer.
②	Serial number (s/n)	This is an alphanumeric identifier that is unique to each product.
③	Part number/Product number (p/n)	This number provides specific information about the product's hardware components. The part number helps a service technician to determine what components and parts are needed.
④	Model description	This is the number you use to locate documents, drivers, and support for your computer.
⑤	Warranty period	This number describes the duration (in years) of the warranty period for this computer.

Computer feet

The computer feet are adhesive-backed rubber pads. The feet are included in the Rubber Kit, spare part number 493274-001. There are 5 rubber feet that attach to the base enclosure in the locations illustrated below.



Battery

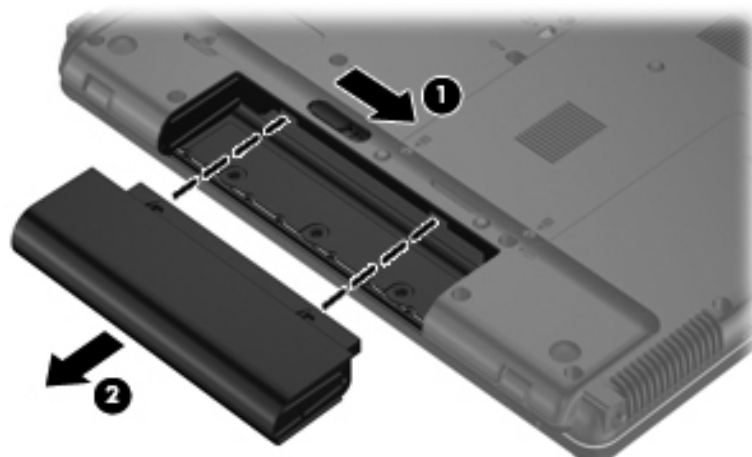
Description	Spare part number
4-cell, 37-Wh Li-ion battery	493202-001
8-cell, 73-Wh Li-ion battery	501935-001

Before disassembling the computer, follow these steps:

1. Shut down the computer. If you are unsure whether the computer is off or in Hibernation, turn the computer on, and then shut it down through the operating system.
2. Disconnect all external devices connected to the computer.
3. Disconnect the power from the computer by first unplugging the power cord from the AC outlet and then unplugging the AC adapter from the computer.

Remove the battery:

1. Turn the computer upside down on a flat surface, with the battery bay toward you.
2. Slide the battery release latch **1** to release the battery.
3. Remove the battery **2** from the computer.



Install the battery by inserting it into the battery bay until you hear a click.

Hard drive



All hard drive spare part kits include a hard drive bracket.

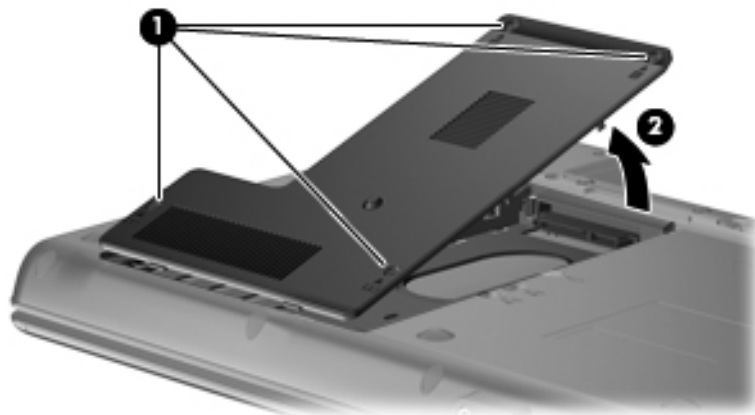
Description	Spare part number
400-GB, 5400-rpm hard drive	512573-001
320-GB, 5400-rpm hard drive	493199-001
250-GB, 5400-rpm hard drive	493198-001
160-GB, 5400-rpm hard drive	493197-001
120-GB, 5400-rpm hard drive	493196-001

Before removing the hard drive, follow these steps:

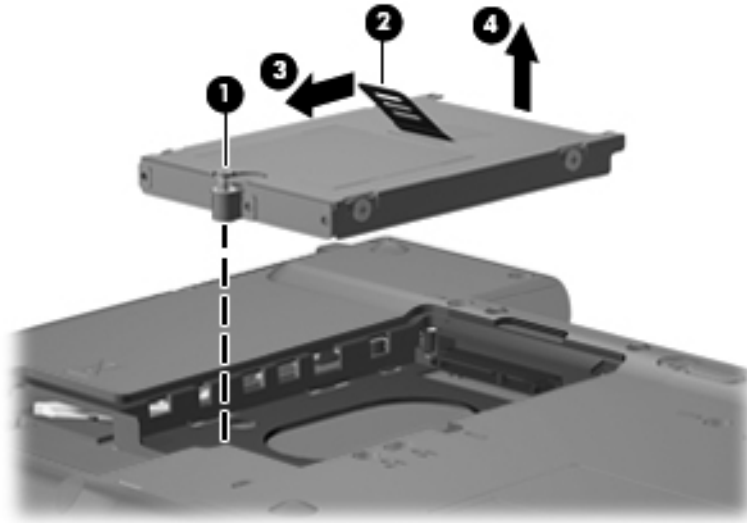
1. Shut down the computer. If you are unsure whether the computer is off or in Hibernation, turn the computer on, and then shut it down through the operating system.
2. Disconnect all external devices connected to the computer.
3. Disconnect the power from the computer by first unplugging the power cord from the AC outlet and then unplugging the AC adapter from the computer.
4. Remove the battery (see [“Battery” on page 4-7](#)).

Remove the hard drive:

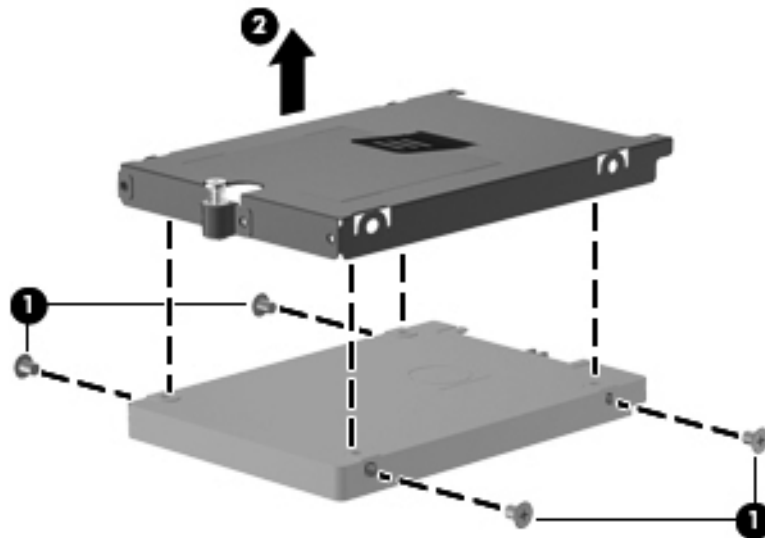
1. Position the computer with the front toward you.
2. Loosen the four Phillips PM2.0×5.0 captive screws ❶ that secure the hard drive cover to the computer.
3. Remove the cover ❷. The hard drive cover is included in the Plastics Kit, spare part number 493274-001.



4. Loosen the Phillips PM2.5×10.0 captive screw ❶ that secures the hard drive to the computer.
5. Grasp the Mylar tab ❷ on the hard drive and slide the hard drive ❸ away from the hard drive connector.
6. Remove the hard drive ❹ from the hard drive bay.



7. If it is necessary to replace the hard drive bracket
 - a. Remove the two Phillips PM3.0×3.0 hard drive bracket screws ❶ from each side of the hard drive.
 - b. Lift the bracket ❷ straight up to remove it from the hard drive.



Reverse this procedure to reassemble and install the hard drive.

Memory module

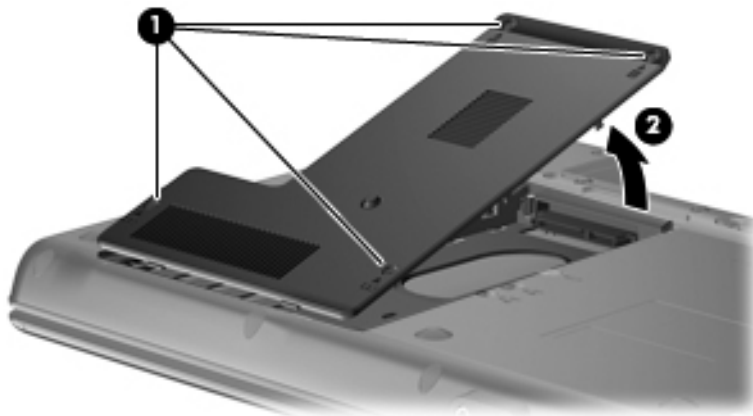
Description	Spare part number
2048-MB (PC2-5300, 667-MHz, DDR2)	493195-001
1024-MB (PC2-5300, 667-MHz, DDR2)	493194-001

Before removing the memory module, follow these steps:

1. Shut down the computer. If you are unsure whether the computer is off or in Hibernation, turn the computer on, and then shut it down through the operating system.
2. Disconnect all external devices connected to the computer.
3. Disconnect the power from the computer by first unplugging the power cord from the AC outlet and then unplugging the AC adapter from the computer.
4. Remove the battery (see “[Battery](#)” on page 4-7).

Remove the memory module:

1. Position the computer with the front toward you.
2. Loosen the four Phillips PM2.0×5.0 captive screws ❶ that secure the hard drive cover to the computer.
3. Remove the cover ❷. The hard drive cover is included in the Plastics Kit, spare part number 493274-001.



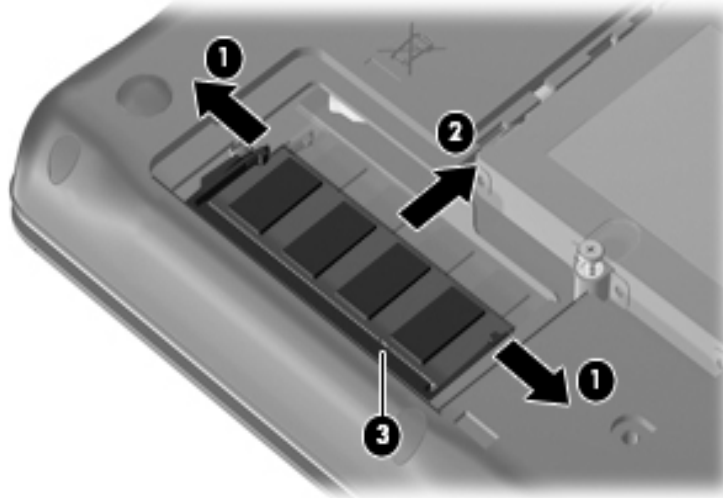


The top memory module slot is for extension memory and the bottom slot is for primary memory.

4. Spread the retaining tabs **1** on each side of the memory module to release the memory module. (The edge of the module opposite the slot rises away from the computer.)
5. Remove the memory module **2** by pulling the module away from the slot at an angle.



Memory modules are designed with a notch **3** to prevent incorrect insertion into the memory module slot.



Reverse this procedure to install a memory module.

WLAN module



CAUTION: The WLAN module and the WWAN module are not interchangeable.

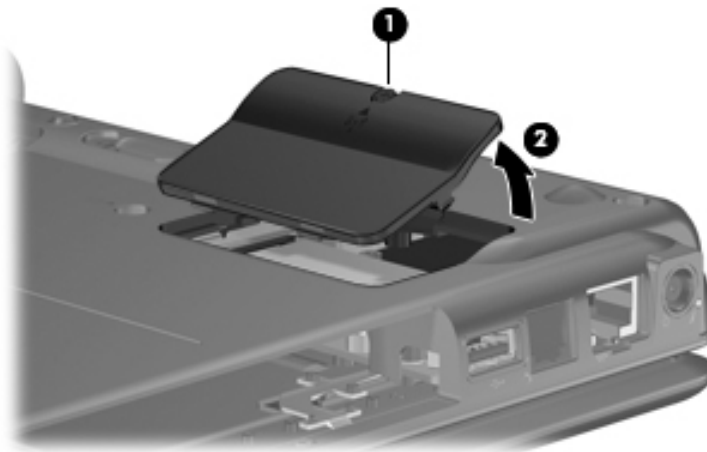
Description	Spare part number
Broadcom 802.11a/b/g/n WLAN modules:	
<ul style="list-style-type: none"> ■ For use in Afghanistan, Albania, Algeria, Andorra, Angola, Antigua and Barbuda, Argentina, Armenia, Aruba, Australia, Austria, Azerbaijan, the Bahamas, Bahrain, Bangladesh, Barbados, Belarus, Belgium, Belize, Benin, Bermuda, Bhutan, Bolivia, Bosnia and Herzegovina, Botswana, Brazil, the British Virgin Islands, Brunei, Bulgaria, Burkina Faso, Burundi, Cameroon, Cape Verde, the Central African Republic, Chad, Chile, People's Republic of China, Colombia, Comoros, the Congo, Costa Rica, Croatia, Cyprus, the Czech Republic, Denmark, Djibouti, Dominica, the Dominican Republic, East Timor, Ecuador, Egypt, El Salvador, Equatorial Guinea, Eritrea, Estonia, Ethiopia, Fiji, Finland, France, French Guiana, Gabon, Gambia, Georgia, Germany, Ghana, Gibraltar, Greece, Grenada, Guadeloupe, Guatemala, Guinea, Guinea-Bissau, Guyana, Haiti, Honduras, Hong Kong, Hungary, Iceland, India, Ireland, Israel, Italy, the Ivory Coast, Jamaica, Japan, Jordan, Kazakhstan, Kenya, Kiribati, Kyrgyzstan, Laos, Latvia, Lebanon, Lesotho, Liberia, Liechtenstein, Lithuania, Luxembourg, Macedonia, Madagascar, Malawi, Malaysia, the Maldives, Mali, Malta, the Marshall Islands, Martinique, Mauritania, Mauritius, Mexico, Micronesia, Monaco, Mongolia, Montenegro, Morocco, Mozambique, Namibia, Nauru, Nepal, the Nether Antilles, the Netherlands, New Zealand, Nicaragua, Niger, Nigeria, Norway, Oman, Pakistan, Palau, Panama, Papua New Guinea, Paraguay, Peru, the Philippines, Poland, Portugal, the Republic of Moldova, Romania, Russia, Rwanda, Samoa, San Marino, Sao Tome & Principe, Saudi Arabia, Senegal, Serbia and Montenegro, the Seychelles, Sierra Leone, Singapore, Slovakia, Slovenia, the Solomon Islands, Somalia, South Africa, South Korea, Spain, Sri Lanka, St. Kitts & Nevis, St. Lucia, St. Vincent & Grenada, Suriname, Swaziland, Sweden, Switzerland, Taiwan, Tajikistan, Tanzania, Togo, Tonga, Trinidad and Tobago, Tunisia, Turkey, Turkmenistan, Tuvalu, Uganda, Ukraine, the United Arab Emirates, the United Kingdom, Uruguay, Uzbekistan, Vanuatu, Venezuela, Vietnam, Yemen, Zaire, Zambia, and Zimbabwe 	487330-002
Broadcom 802.11b/g WLAN modules:	
<ul style="list-style-type: none"> ■ For use in Afghanistan, Albania, Algeria, Andorra, Angola, Antigua and Barbuda, Argentina, Armenia, Aruba, Australia, Austria, Azerbaijan, the Bahamas, Bahrain, Bangladesh, Barbados, Belarus, Belgium, Belize, Benin, Bermuda, Bhutan, Bolivia, Bosnia and Herzegovina, Botswana, Brazil, the British Virgin Islands, Brunei, Bulgaria, Burkina Faso, Burundi, Cameroon, Cape Verde, the Central African Republic, Chad, Chile, People's Republic of China, Colombia, Comoros, the Congo, Costa Rica, Croatia, Cyprus, the Czech Republic, Denmark, Djibouti, Dominica, the Dominican Republic, East Timor, Ecuador, Egypt, El Salvador, Equatorial Guinea, Eritrea, Estonia, Ethiopia, Fiji, Finland, France, French Guiana, Gabon, Gambia, Georgia, Germany, Ghana, Gibraltar, Greece, Grenada, Guadeloupe, Guatemala, Guinea, Guinea-Bissau, Guyana, Haiti, Honduras, Hong Kong, Hungary, Iceland, India, Ireland, Israel, Italy, the Ivory Coast, Jamaica, Japan, Jordan, Kazakhstan, Kenya, Kiribati, Kyrgyzstan, Laos, Latvia, Lebanon, Lesotho, Liberia, Liechtenstein, Lithuania, Luxembourg, Macedonia, Madagascar, Malawi, Malaysia, the Maldives, Mali, Malta, the Marshall Islands, Martinique, Mauritania, Mauritius, Mexico, Micronesia, Monaco, Mongolia, Montenegro, Morocco, Mozambique, Namibia, Nauru, Nepal, the Nether Antilles, the Netherlands, New Zealand, Nicaragua, Niger, Nigeria, Norway, Oman, Pakistan, Palau, Panama, Papua New Guinea, Paraguay, Peru, the Philippines, Poland, Portugal, the Republic of Moldova, Romania, Russia, Rwanda, Samoa, San Marino, Sao Tome & Principe, Saudi Arabia, Senegal, Serbia and Montenegro, the Seychelles, Sierra Leone, Singapore, Slovakia, Slovenia, the Solomon Islands, Somalia, South Africa, South Korea, Spain, Sri Lanka, St. Kitts & Nevis, St. Lucia, St. Vincent & Grenada, Suriname, Swaziland, Sweden, Switzerland, Taiwan, Tajikistan, Tanzania, Togo, Tonga, Trinidad and Tobago, Tunisia, Turkey, Turkmenistan, Tuvalu, Uganda, Ukraine, the United Arab Emirates, the United Kingdom, Uruguay, Uzbekistan, Vanuatu, Venezuela, Vietnam, Yemen, Zaire, Zambia, and Zimbabwe 	459263-002
Intel 802.11a/b/g/n WLAN modules:	
<ul style="list-style-type: none"> ■ For use in Canada, the Cayman Islands, Guam, Puerto Rico, the U.S. Virgin Islands, and the United States. 	480985-001

Before removing the WLAN module, follow these steps:


1. Shut down the computer. If you are unsure whether the computer is off or in Hibernation, turn the computer on, and then shut it down through the operating system.
2. Disconnect all external devices connected to the computer.
3. Disconnect the power from the computer by first unplugging the power cord from the AC outlet and then unplugging the AC adapter from the computer.
4. Remove the battery (see “Battery” on page 4-7).

Remove the WLAN module:


1. Position the computer with the front toward you.
2. Loosen the Phillips PM2.0×5.0 captive screw ❶ that secures the WLAN module compartment cover to the computer. The screw is identified by the wireless icon.
3. Lift the right side of the cover ❷, and remove the cover.

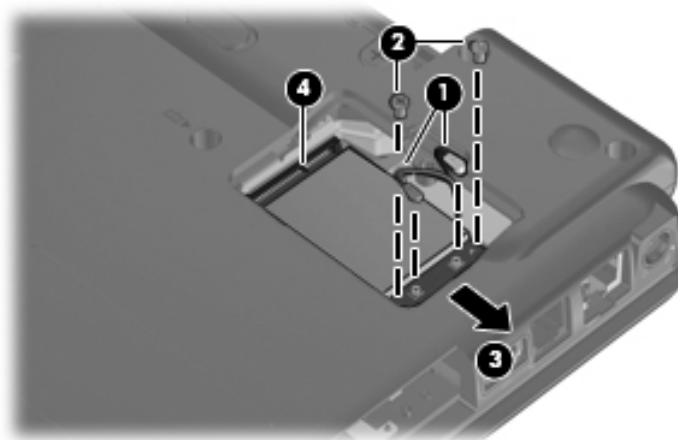


4. Disconnect the WLAN antenna cables ❶ from the terminals on the WLAN module.

 The black WLAN antenna cable is connected to the WLAN module “Main” terminal. The white WLAN antenna cable is connected to the WLAN module “Aux” terminal.

5. Remove the two Phillips PM2.5×4.0 screws ❷ that secure the WLAN module to the computer. (The edge of the module opposite the slot rises away from the computer.)
6. Remove the WLAN module ❸ by pulling the module away from the slot at an angle.

 WLAN modules are designed with a notch ❹ to prevent incorrect insertion.



Reverse this procedure to install the WLAN module.

Optical drive



All optical drive spare part kits include an optical drive bezel and bracket.

Description	Spare part number
DVD/CD-RW Combo Drive	493200-001
DVD±RW and CD-RW SuperMulti Double-Layer Drive	495017-001
DVD±RW and CD-RW SuperMulti Double-Layer Drive with LightScribe	493961-001
Blu-ray ROM DVD±RW SuperMulti DL Drive	497536-001

Before removing the optical drive, follow these steps:

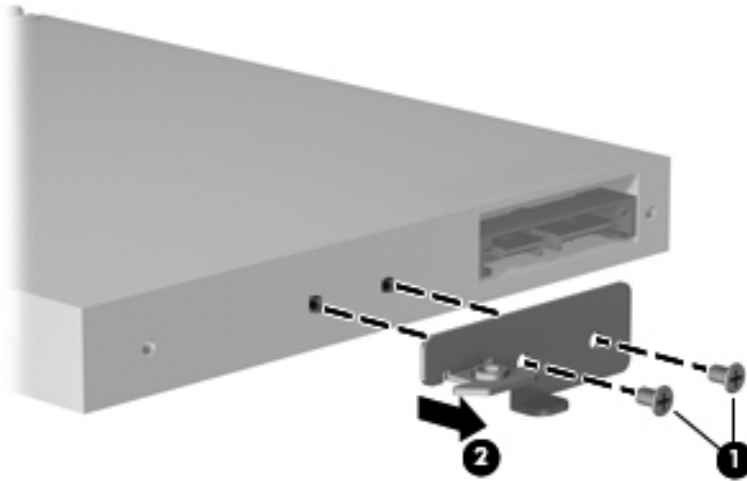
1. Shut down the computer. If you are unsure whether the computer is off or in Hibernation, turn the computer on, and then shut it down through the operating system.
2. Disconnect all external devices connected to the computer.
3. Disconnect the power from the computer by first unplugging the power cord from the AC outlet and then unplugging the AC adapter from the computer.
4. Remove the battery (see “[Battery](#)” on page 4-7).

Remove the optical drive:

1. Position the computer with the front side toward you.
2. Remove the Torx T8M2.0×6.0 screw ❶ that secures the optical drive to the computer.
3. Insert a flat-bladed screwdriver or similar tool into the optical drive tab access ❷ and press the tab to the right to release the optical drive from the computer.
4. Remove the optical drive ❸ from the computer.



5. If it is necessary to replace the optical drive bracket, follow these steps:
 - a. Position the optical drive with the rear toward you.
 - b. Remove the two Phillips PM1.5×3.0 screws ❶ that secure the optical drive bracket to the optical drive.
 - c. Remove the optical drive bracket ❷.



Reverse this procedure to reassemble and install an optical drive.

Keyboard

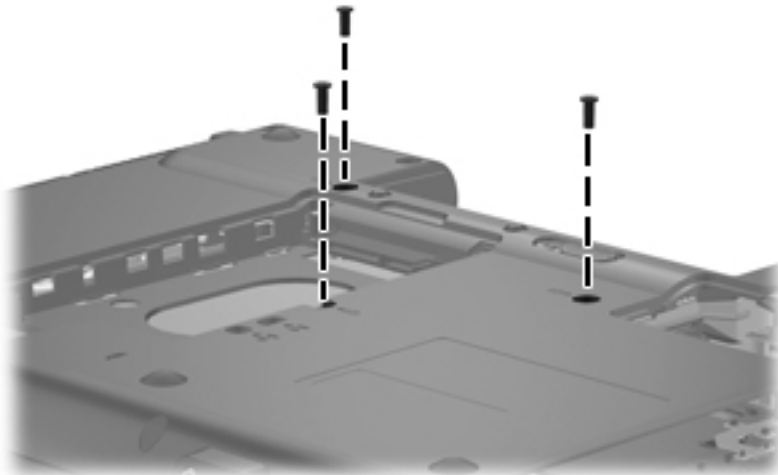
Description	Spare part number
For use in South Korea	493960-AD1
For use in Taiwan	493960-AB1
For use in Thailand	493960-281
For use in the United States	493960-001

Before removing the keyboard, follow these steps:

1. Shut down the computer. If you are unsure whether the computer is off or in Hibernation, turn the computer on, and then shut it down through the operating system.
2. Disconnect all external devices connected to the computer.
3. Disconnect the power from the computer by first unplugging the power cord from the AC outlet and then unplugging the AC adapter from the computer.
4. Remove the battery (see [“Battery” on page 4-7](#)).
5. Remove the following components:
 - a. Hard drive (see [“Hard drive” on page 4-8](#))
 - b. Memory module (see [“Memory module” on page 4-10](#))
 - c. WLAN module (see [“WLAN module” on page 4-12](#))
 - d. Optical drive (see [“Optical drive” on page 4-14](#))

Remove the keyboard:

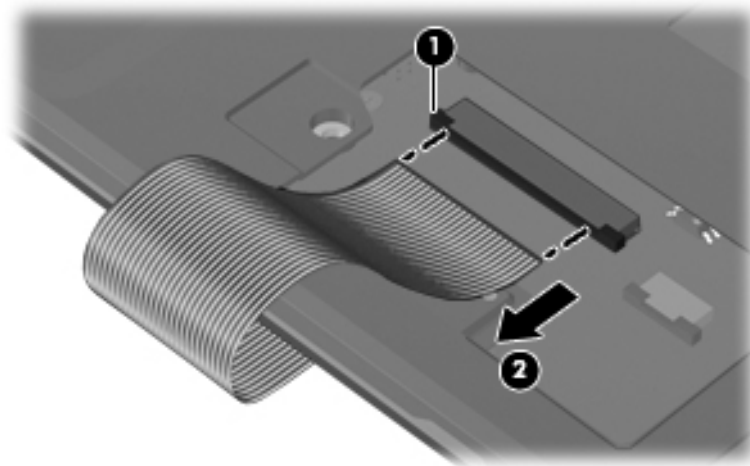
1. Turn the computer upside down, with the front toward you.
2. Remove the three Torx T8M2.0×6.0 screws that secure the keyboard to the computer.



3. Turn the computer display-side up, and open the computer.
4. Lift the rear edge of the keyboard **1** and rotate the keyboard toward you **2** until it rests upside down on the top cover.



5. Release the zero insertion force (ZIF) connector **1** to which the keyboard cable is attached, and disconnect the keyboard cable **2** from the system board.



6. Remove the keyboard.
- Reverse this procedure to install the keyboard.

Top cover

Description	Spare part number
Top cover (includes caps lock light, capacitive board, TouchPad, and TouchPad cable)	493962-001

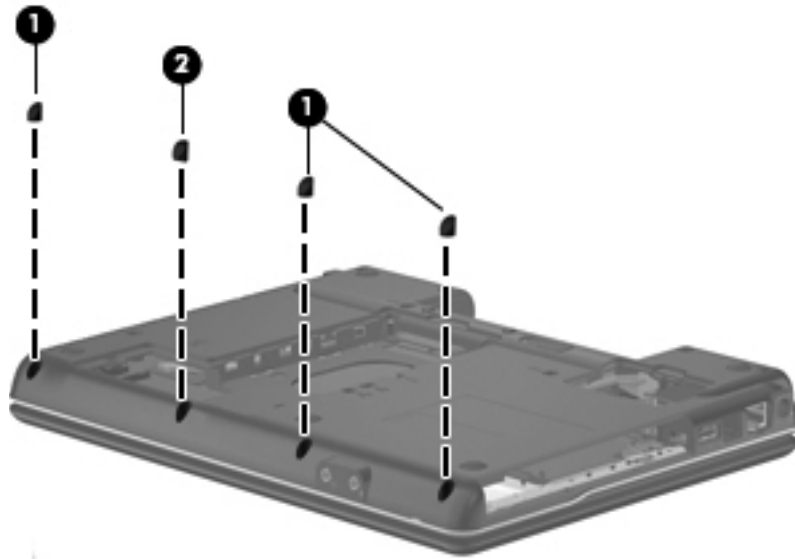
Before removing the top cover, follow these steps:

1. Shut down the computer. If you are unsure whether the computer is off or in Hibernation, turn the computer on, and then shut it down through the operating system.
2. Disconnect all external devices connected to the computer.
3. Disconnect the power from the computer by first unplugging the power cord from the AC outlet and then unplugging the AC adapter from the computer.
4. Remove the battery (see [“Battery” on page 4-7](#)).
5. Remove the following components:
 - a. Hard drive (see [“Hard drive” on page 4-8](#))
 - b. Memory module (see [“Memory module” on page 4-10](#))
 - c. WLAN module (see [“WLAN module” on page 4-12](#))
 - d. Optical drive (see [“Optical drive” on page 4-14](#))
 - e. Keyboard (see [“Keyboard” on page 4-16](#))

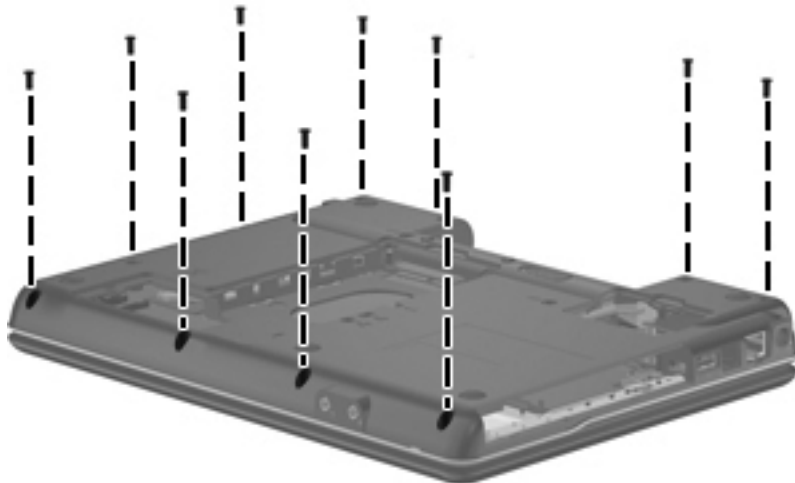
Remove the top cover:

1. Close the computer and turn it upside down, with the front toward you.
2. Remove the following:

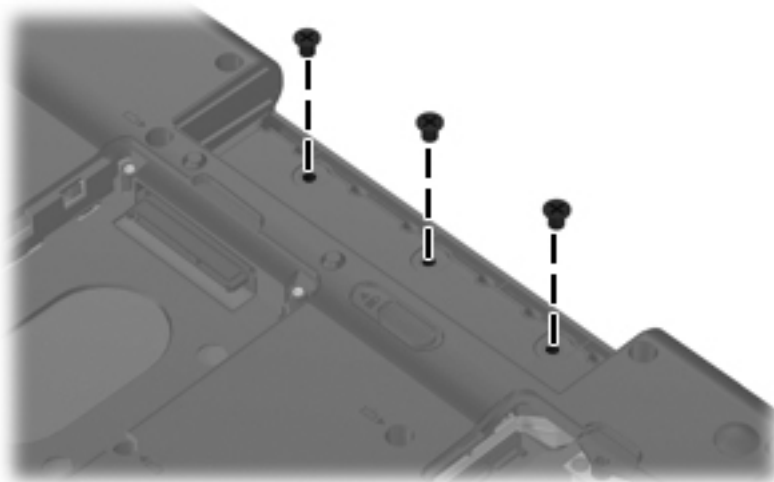
Remove four rubber screw covers on the front of the computer. Note that three of the screw covers are the same ❶ and one screw cover ❷ is different. The rubber screw covers are included in the Plastics Kit, spare part number 493274-001.



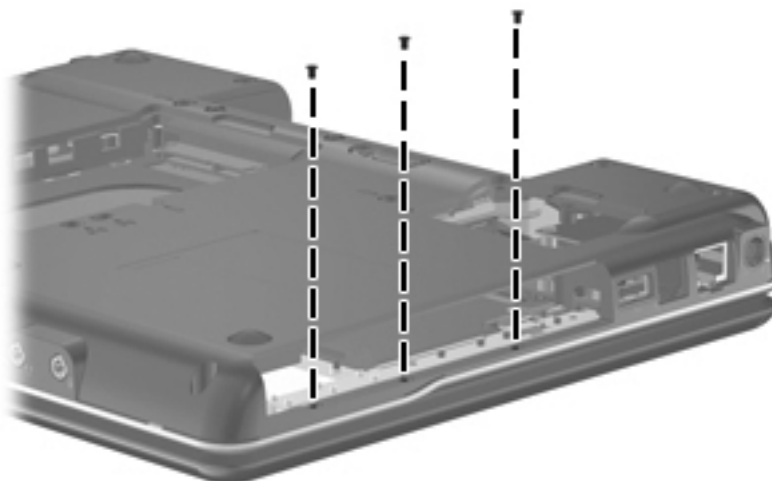
3. Remove ten Torx T8M2.0×6.0 slotted screws.



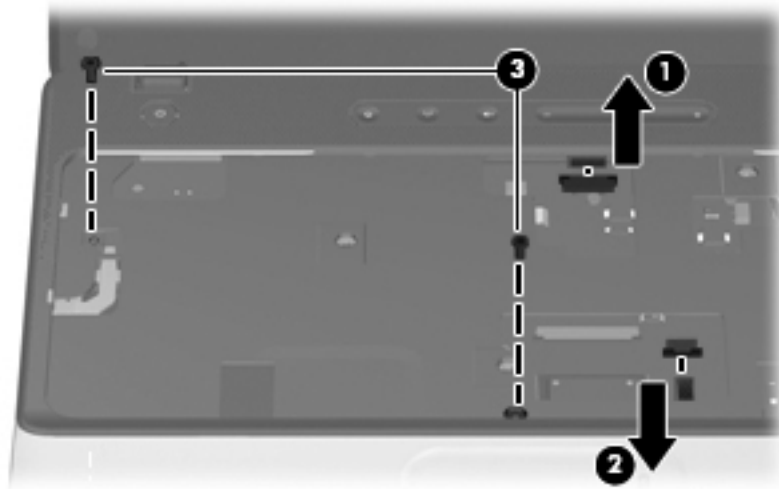
4. Remove the three Phillips PM2.0×2.0BH screws in the battery bay.



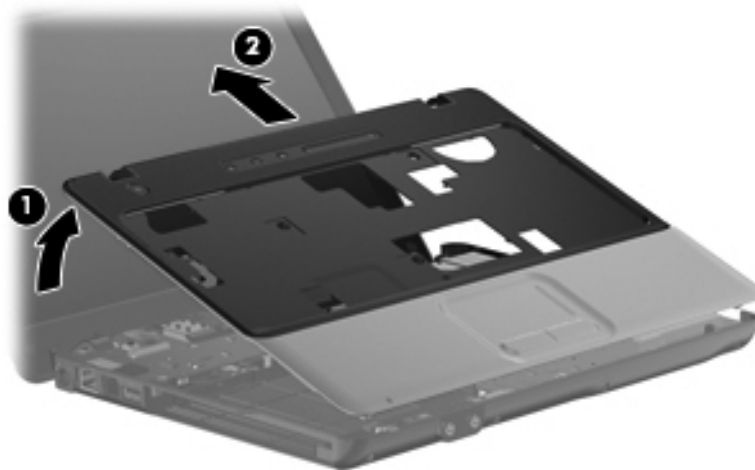
5. Remove the three Phillips PM2.0×3.0 screws in the optical drive bay.



6. Turn the computer right-side up, with the front toward you.
7. Open the LED board cable ZIF connector ❶, and then disconnect the cable.
8. Open the TouchPad cable ZIF connector ❷, and then disconnect the cable.
9. Remove the two Torx T8M2.0×6.0 screws ❸ that attach the top cover to the base enclosure.



10. Lift the rear edge and sides of the top cover ❶ to release it. Move the top cover backward ❷ and place it on the base enclosure.



Reverse this procedure to install the top cover.

Speaker assembly

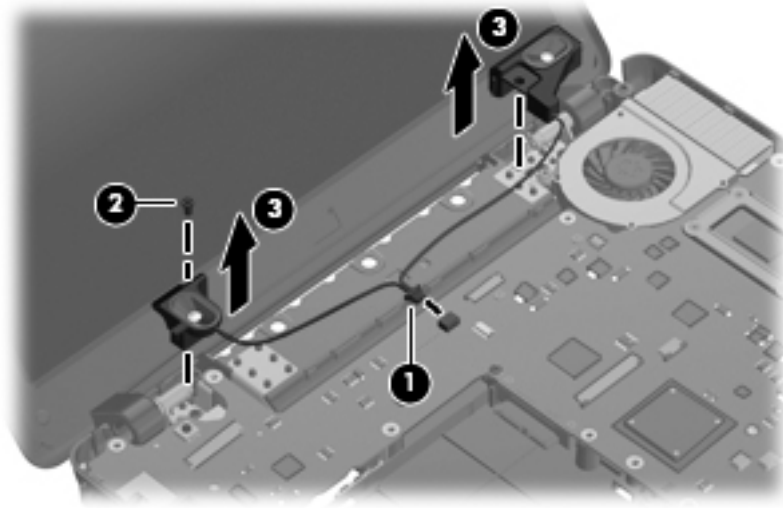
Description	Spare part number
Speaker assembly	493273-001

Before removing the speaker assembly, follow these steps:

1. Shut down the computer. If you are unsure whether the computer is off or in Hibernation, turn the computer on, and then shut it down through the operating system.
2. Disconnect all external devices connected to the computer.
3. Disconnect the power from the computer by first unplugging the power cord from the AC outlet and then unplugging the AC adapter from the computer.
4. Remove the battery (see [“Battery” on page 4-7](#)).
5. Remove the following components:
 - a. Hard drive (see [“Hard drive” on page 4-8](#))
 - b. Memory module (see [“Memory module” on page 4-10](#))
 - c. WLAN module (see [“WLAN module” on page 4-12](#))
 - d. Optical drive (see [“Optical drive” on page 4-14](#))
 - e. Keyboard (see [“Keyboard” on page 4-16](#))
 - f. Top cover (see [“Top cover” on page 4-18](#))

Remove the speaker assembly:

1. Disconnect the speaker assembly cable ❶ from the system board.
2. Remove the Phillips PM3.0×4.0 screw ❷ that attaches the left speaker to the base enclosure.
3. Remove the speaker cables from the clips on the system board, and then remove the speaker assembly ❸ from the base enclosure.



Reverse this procedure to install the speaker assembly.

Display assembly

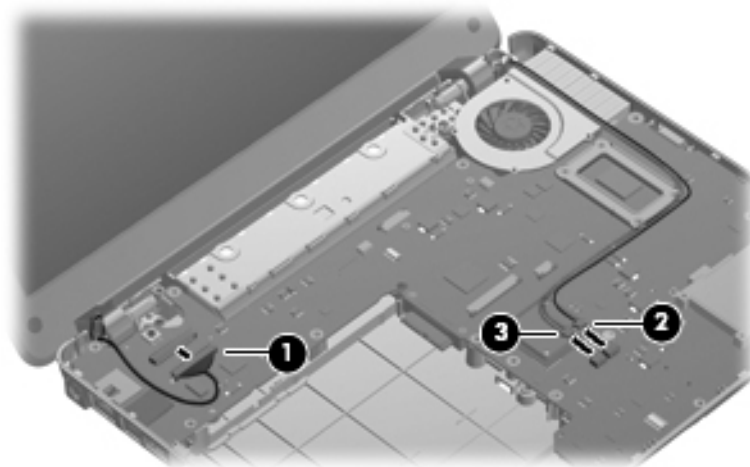
Description	Spare part number
12.1-inch, WXGA display assembly with webcam	492154-001

Before removing the display assembly, follow these steps:

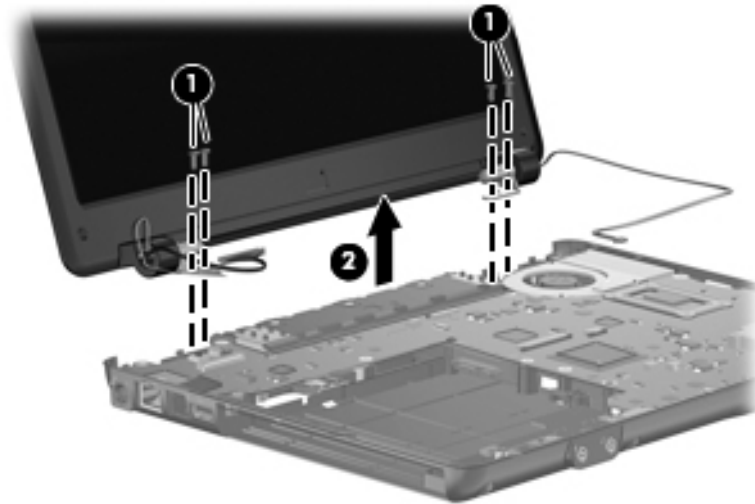
1. Shut down the computer. If you are unsure whether the computer is off or in Hibernation, turn the computer on, and then shut it down through the operating system.
2. Disconnect all external devices connected to the computer.
3. Disconnect the power from the computer by first unplugging the power cord from the AC outlet and then unplugging the AC adapter from the computer.
4. Remove the battery (see [“Battery” on page 4-7](#)).
5. Remove the following components:
 - a. Hard drive (see [“Hard drive” on page 4-8](#))
 - b. Memory module (see [“Memory module” on page 4-10](#))
 - c. WLAN module (see [“WLAN module” on page 4-12](#))
 - d. Optical drive (see [“Optical drive” on page 4-14](#))
 - e. Keyboard (see [“Keyboard” on page 4-16](#))
 - f. Top cover (see [“Top cover” on page 4-18](#))
 - g. Speaker assembly (see [“Speaker assembly” on page 4-22](#))

Remove the display assembly:

1. Open the computer as far as possible.
2. Disconnect the display panel cable ❶ from the system board.
3. Remove the WLAN antenna cable ❷ from the opening in the base enclosure.
4. Disconnect the microphone cable ❸ from the system board. Remove any tape that may be used to secure the cable to the system board.



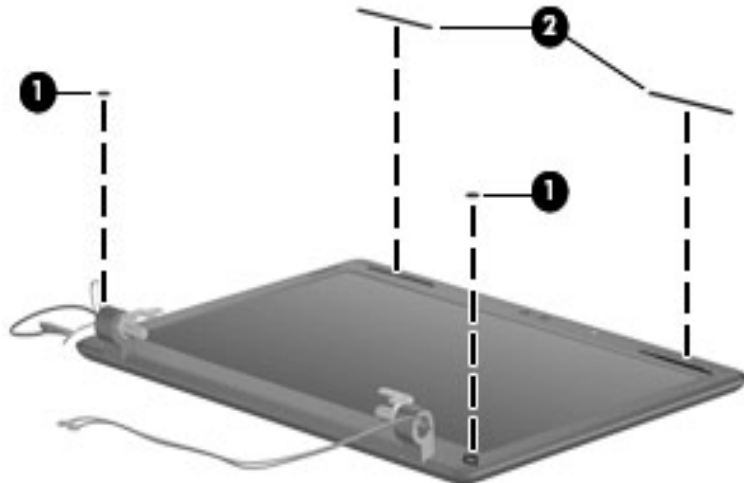
5. Remove the four Torx T8M2.0×6.0 screws ❶ that secure the display assembly to the computer. Be sure to hold the display before removing the last screw to prevent damage to the display.
6. Lift the display assembly ❷ straight up and remove it.



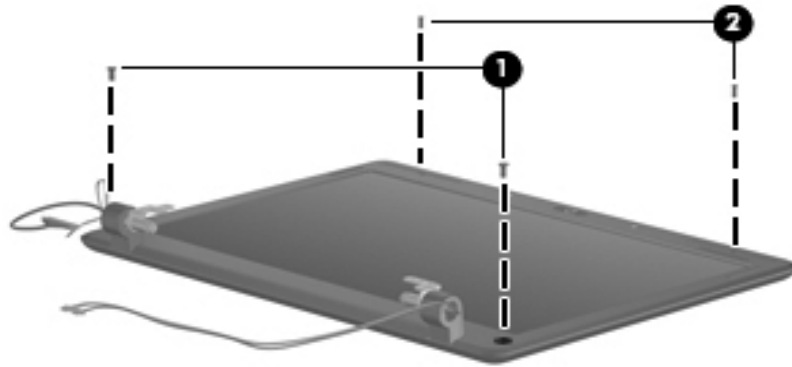
Perform the following steps in sequence to remove or replace the display bezel or the display assembly internal components.

1. To remove the display bezel:

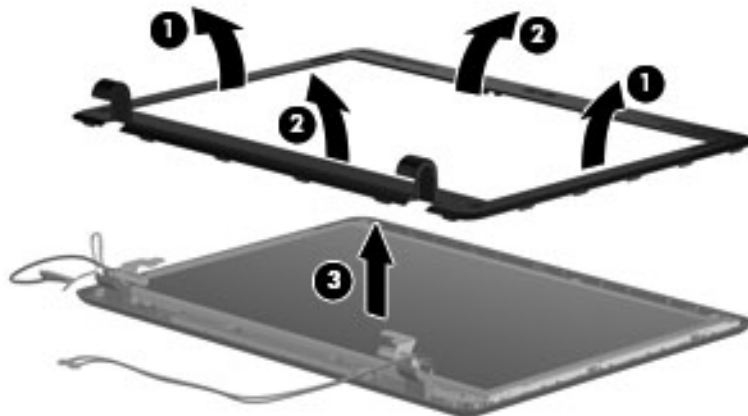
- a. Remove the two rubber screw covers ❶ at the bottom of the display assembly and peel back the two rubber bumper strips ❷ at the top of the display assembly.



- b. Remove the two PM2.0×5.0 screws ❶ and two PM3.0×6.0 ❷ screws that secure the display bezel to the display enclosure.



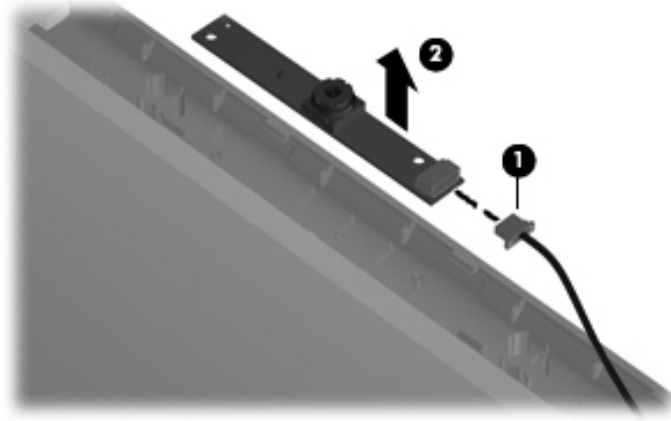
- c. Lift the inside edge of the left and right sides ❶ to disengage it from the clips, and then the top and bottom sides ❷ of the display bezel until the bezel disengages from the display enclosure.
- d. Remove the display bezel ❸. The display bezel is available using spare part number 492156-001.



Reverse this procedure to install the display bezel. Be careful to route the cables through the side openings in the hinge covers and avoid pinching the cables between the bezel and display enclosure.

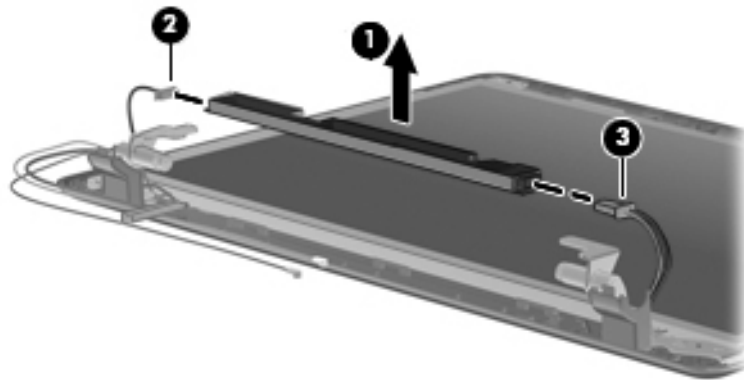
2. To remove the webcam module:

- a. Disconnect the webcam cable ❶ from the computer.
- b. Remove the webcam module ❷ from the display enclosure. (The webcam is secured with double-sided tape.) The webcam can also be ordered separately and is available using spare part number 492159-001.



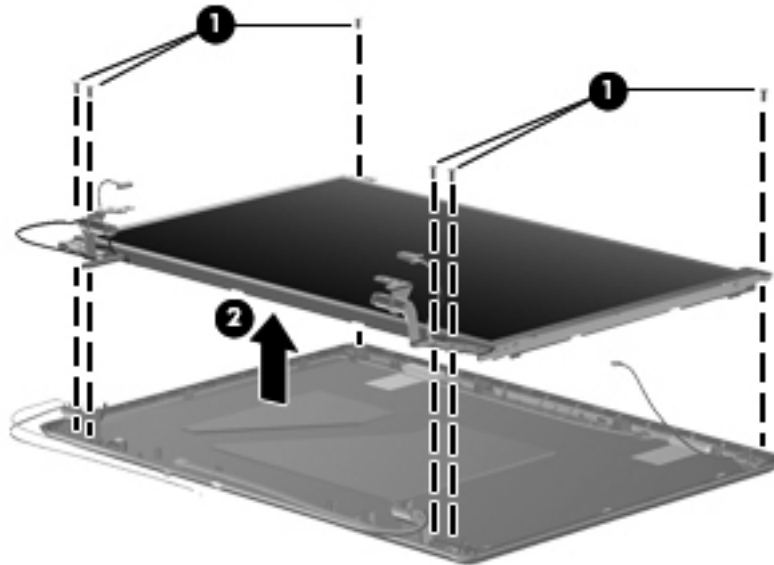
3. To remove the display inverter:

- a. Use a flat bladed screwdriver to release the inverter ❶, which is secured with double-sided tape.
- b. Disconnect the backlight cable ❷ and the display panel cable ❸ from the display inverter. The display inverter is available using spare part number 493193-001.

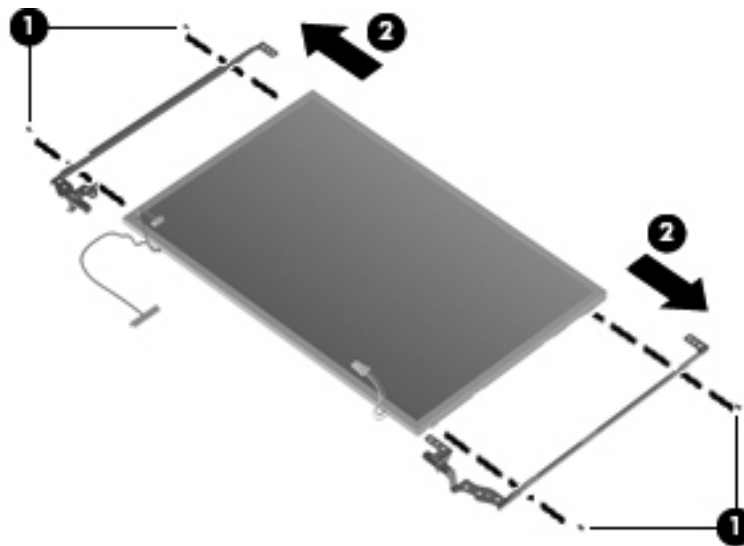


4. To remove the display panel:


- a. Remove the six Phillips PM2.0×5.0 screws ❶ that secure the display panel to the display enclosure.
- b. Remove the display panel ❷ from the display enclosure.



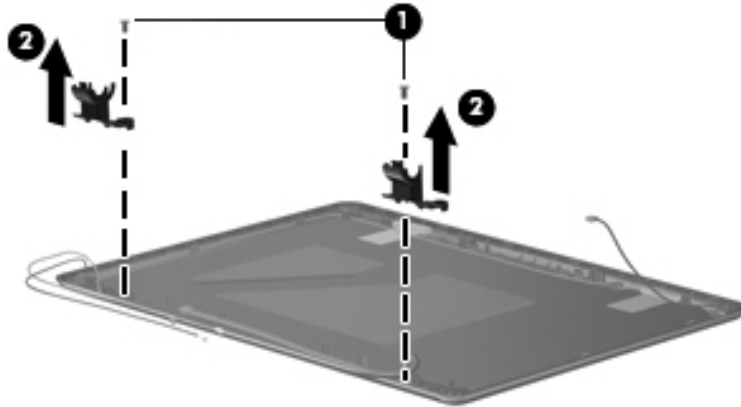
- c. Remove the four Phillips PM1.5×3.0 screws ❶ that secure the hinges to the display panel.
- d. Remove the display hinges ❷ from the display panel. The display hinges are available using spare part number 493192-001.



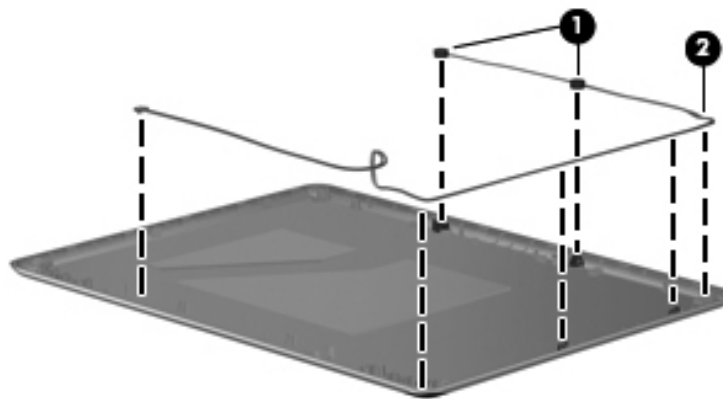
5. To remove the microphone cable or WLAN transceivers and cable:

 The microphone, WLAN antenna cable, and the LCD module cable are included in the Cable Kit, spare part number 493275-001.

- a. Remove the two Phillips PM2.0x6.0 screws **1** and display hinge covers **2**.

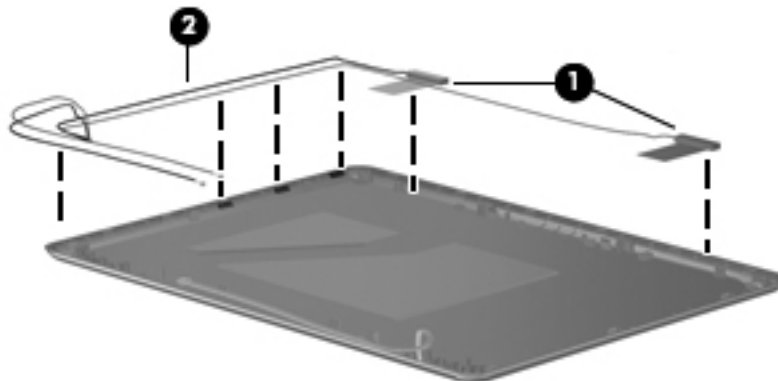


- b. Remove the two microphone receivers **1** from the display enclosure, and then release the microphone cable **2** from the clips in the display enclosure.



Reverse this procedure to install the microphone.

- c. Remove the adhesive tape from the WLAN transceiver **1**, and then release the WLAN cables **2** from the clips in the display enclosure.



Reverse this procedure to install the WLAN transceivers and cable.

Audio board

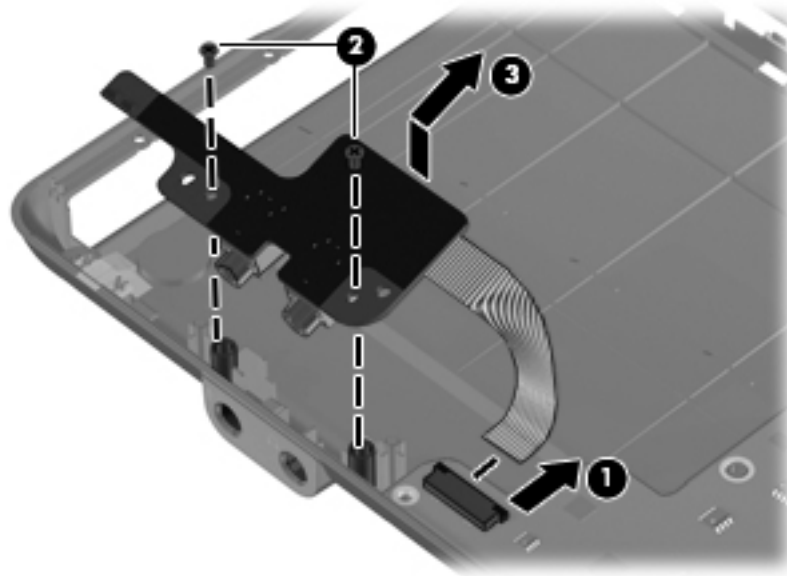
Description	Spare part number
Audio board	493272-001

Before removing the audio board, follow these steps:

1. Shut down the computer. If you are unsure whether the computer is off or in Hibernation, turn the computer on, and then shut it down through the operating system.
2. Disconnect all external devices connected to the computer.
3. Disconnect the power from the computer by first unplugging the power cord from the AC outlet and then unplugging the AC adapter from the computer.
4. Remove the battery (see [“Battery” on page 4-7](#)).
5. Remove the following components:
 - a. Hard drive (see [“Hard drive” on page 4-8](#))
 - b. Memory module (see [“Memory module” on page 4-10](#))
 - c. WLAN module (see [“WLAN module” on page 4-12](#))
 - d. Optical drive (see [“Optical drive” on page 4-14](#))
 - e. Keyboard (see [“Keyboard” on page 4-16](#))
 - f. Top cover (see [“Top cover” on page 4-18](#))

Remove the audio board and cable:

1. Open the audio board cable ZIF connector ❶, and then remove the cable from the system board.
2. Remove the two Phillips PM2.0×3.0 screws ❷ that secure the audio board to the system board.
3. Lift and move the audio board backward ❸ so that the external audio connectors slide out of the openings in the base enclosure.



Reverse this procedure to install the audio board.

Fan

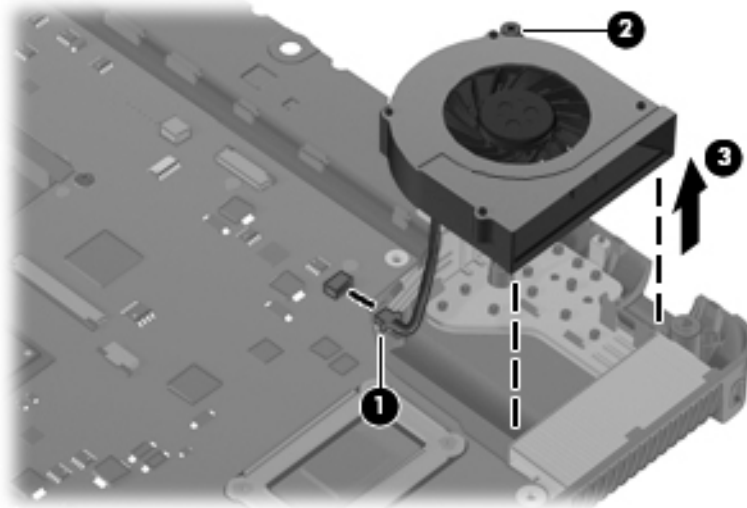
Description	Spare part number
Fan	493269-001

Before removing the fan, follow these steps:

1. Shut down the computer. If you are unsure whether the computer is off or in Hibernation, turn the computer on, and then shut it down through the operating system.
2. Disconnect all external devices connected to the computer.
3. Disconnect the power from the computer by first unplugging the power cord from the AC outlet and then unplugging the AC adapter from the computer.
4. Remove the battery (see [“Battery” on page 4-7](#)).
5. Remove the following components:
 - a. Hard drive (see [“Hard drive” on page 4-8](#))
 - b. Memory module (see [“Memory module” on page 4-10](#))
 - c. WLAN module (see [“WLAN module” on page 4-12](#))
 - d. Optical drive (see [“Optical drive” on page 4-14](#))
 - e. Keyboard (see [“Keyboard” on page 4-16](#))
 - f. Top cover (see [“Top cover” on page 4-18](#))

Remove the fan:

1. Disconnect the fan cable ❶ from the system board.
2. Loosen the captive Phillips PM2.0×7.0 screw ❷ that secures the fan to the base enclosure, and then remove the fan ❸ from the heat sink.



Reverse this procedure to install the fan.



To properly ventilate the computer, allow at least a 7.6-cm (3-inch) clearance on the left side of the computer.

The computer uses an electric fan for ventilation. The fan is controlled by a temperature sensor and is designed to turn on automatically when high temperature conditions exist. These conditions are affected by high external temperatures, system power consumption, power management/battery conservation configurations, battery fast charging, and software requirements. Exhaust air is displaced through the ventilation grill located on the left side of the computer.

System board

Description	Spare part number
GM45 (includes RTC battery and replacement thermal material)	492152-001
GL40 (includes RTC battery and replacement thermal material)	504452-001

Before removing the system board, follow these steps:

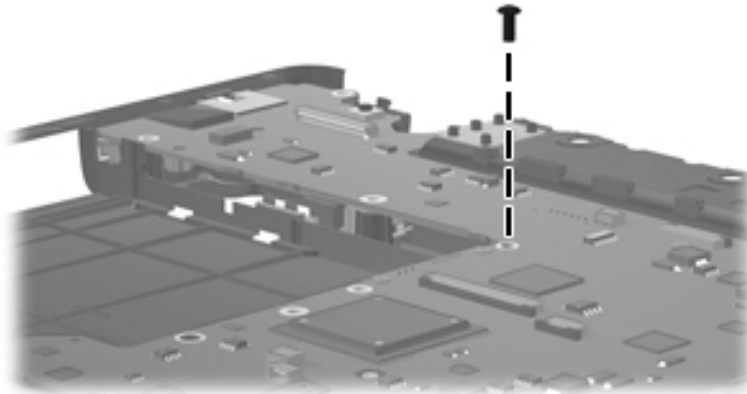
1. Shut down the computer. If you are unsure whether the computer is off or in Hibernation, turn the computer on, and then shut it down through the operating system.
2. Disconnect all external devices connected to the computer.
3. Disconnect the power from the computer by first unplugging the power cord from the AC outlet and then unplugging the AC adapter from the computer.
4. Remove the battery (see [“Battery” on page 4-7](#)).
5. Remove the following components:
 - a. Hard drive (see [“Hard drive” on page 4-8](#))
 - b. Memory modules (see [“Memory module” on page 4-10](#))
 - c. WLAN module (see [“WLAN module” on page 4-12](#))
 - d. Optical drive (see [“Optical drive” on page 4-14](#))
 - e. Keyboard (see [“Keyboard” on page 4-16](#))
 - f. Top cover (see [“Top cover” on page 4-18](#))
 - g. Audio board (see [“Audio board” on page 4-30](#))
 - h. Fan (see [“Fan” on page 4-32](#))

When replacing the system board, be sure that the following additional components are removed from the defective system board and installed on the replacement system board:

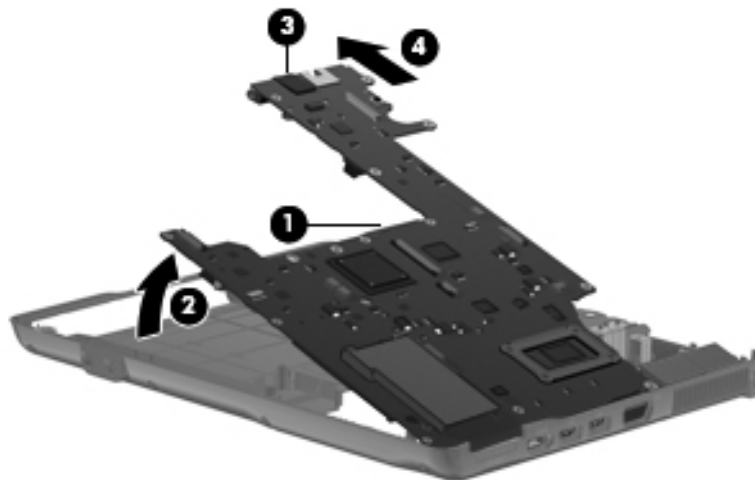
- RTC battery (see [“RTC battery” on page 4-36](#))
- Modem module (see [“Modem module” on page 4-38](#))
- Bluetooth module (see [“Bluetooth module” on page 4-40](#))
- Heat sink (see [“Heat sink” on page 4-42](#))
- Processor (see [“Processor” on page 4-44](#))

Remove the system board:

1. Remove the Torx T8M2.0×6.0 screw that secures the system board to the base enclosure. The screw is located beside the optical drive connector.



2. Flex the left side of the base enclosure until the USB jack, RJ-45 jack, and RJ-11 jack ❶ clear the openings in the base enclosure.
3. Use the optical drive connector ❷ to lift the left side of the system board ❸ until it rests at an angle.
4. Remove the system board from the base enclosure by pulling it away at an angle ❹.



Reverse this procedure to install the system board.

RTC battery



Removing the RTC battery and leaving it uninstalled for 5 or more minutes causes all passwords and CMOS settings to be cleared.

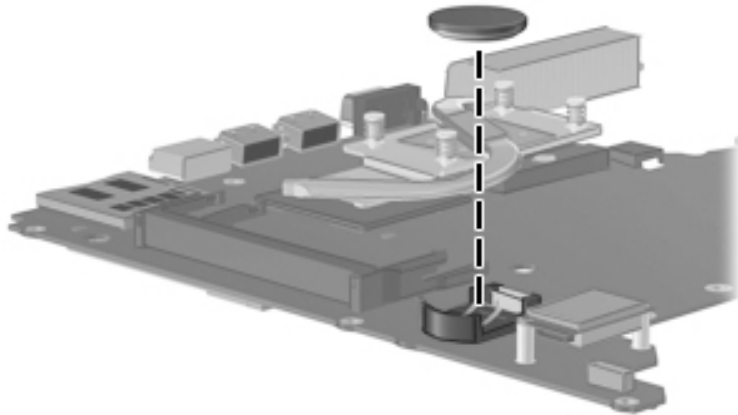
Description	Spare part number
RTC battery	449137-001

Before removing the RTC battery, follow these steps:

1. Shut down the computer. If you are unsure whether the computer is off or in Hibernation, turn the computer on, and then shut it down through the operating system.
2. Disconnect all external devices connected to the computer.
3. Disconnect the power from the computer by first unplugging the power cord from the AC outlet and then unplugging the AC adapter from the computer.
4. Remove the battery (see [“Battery” on page 4-7](#)).
5. Remove the following components:
 - a. Hard drive (see [“Hard drive” on page 4-8](#))
 - b. Memory module (see [“Memory module” on page 4-10](#))
 - c. WLAN module (see [“WLAN module” on page 4-12](#))
 - d. Optical drive (see [“Optical drive” on page 4-14](#))
 - e. Keyboard (see [“Keyboard” on page 4-16](#))
 - f. Top cover (see [“Top cover” on page 4-18](#))
 - g. Audio board (see [“Audio board” on page 4-30](#))
 - h. Fan (see [“Fan” on page 4-32](#))
 - i. System board (see [“System board” on page 4-34](#))


Remove the RTC battery:

1. Turn the system board upside down with the front toward you.
2. Remove the RTC battery from the socket.



Reverse this procedure to install the RTC battery.

Modem module

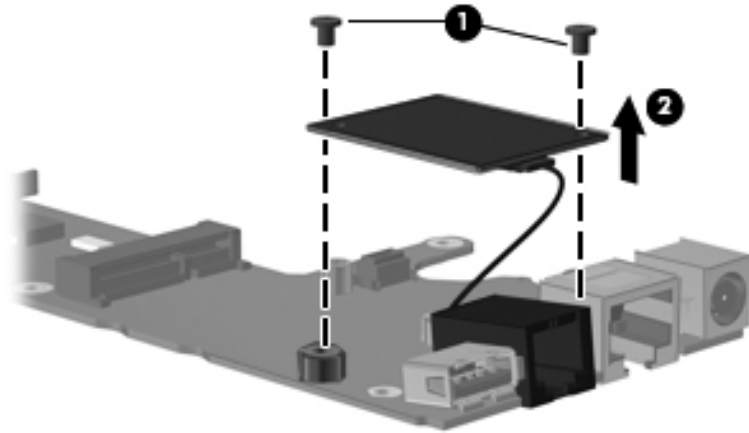
Description	Spare part number
Modem module	461749-001
 The modem module spare part kit does not include a modem module cable. The modem module cable is included in the Cable Kit, spare part number 493275-001. See “Cable Kit” on page 3-7 for more Cable Kit information.	

Before removing the modem module, follow these steps:

1. Shut down the computer. If you are unsure whether the computer is off or in Hibernation, turn the computer on, and then shut it down through the operating system.
2. Disconnect all external devices connected to the computer.
3. Disconnect the power from the computer by first unplugging the power cord from the AC outlet and then unplugging the AC adapter from the computer.
4. Remove the battery (see [“Battery” on page 4-7](#)).
5. Remove the following components:
 - a. Hard drive (see [“Hard drive” on page 4-8](#))
 - b. Memory module (see [“Memory module” on page 4-10](#))
 - c. WLAN module (see [“WLAN module” on page 4-12](#))
 - d. Optical drive (see [“Optical drive” on page 4-14](#))
 - e. Keyboard (see [“Keyboard” on page 4-16](#))
 - f. Top cover (see [“Top cover” on page 4-18](#))
 - g. Audio board (see [“Audio board” on page 4-30](#))
 - h. Fan (see [“Fan” on page 4-32](#))
 - i. System board (see [“System board” on page 4-34](#))
 - j. Heat sink (see [“Heat sink” on page 4-42](#))

Remove the modem module:


1. Turn the system board upside down with the rear edge toward you.
2. Remove the two Phillips PM2.0×3.0 screws ❶ that secure the modem module to the system board.
3. Disconnect the modem module ❷ from the system board by lifting it straight up.



4. Remove the modem module, cable, adhesive tape, and RJ-11 port.

Reverse this procedure to install the modem module and modem module cable.

Bluetooth module

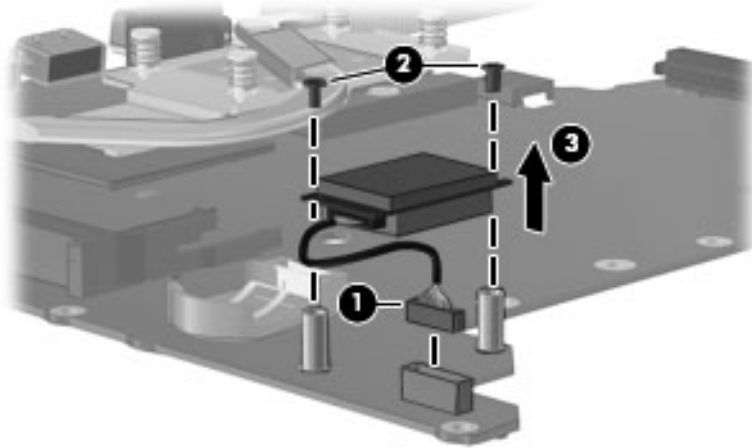
Description	Spare part number
Bluetooth module	398393-002
 The Bluetooth module spare part kit does not include a Bluetooth module cable. The Bluetooth module cable is included in the Cable Kit, spare part number 493275-001. See “Cable Kit” on page 3-7 for more Cable Kit information.	

Before removing the Bluetooth module, follow these steps:

1. Shut down the computer. If you are unsure whether the computer is off or in Hibernation, turn the computer on, and then shut it down through the operating system.
2. Disconnect all external devices connected to the computer.
3. Disconnect the power from the computer by first unplugging the power cord from the AC outlet and then unplugging the AC adapter from the computer.
4. Remove the battery (see [“Battery” on page 4-7](#)).
5. Remove the following components:
 - a. Hard drive (see [“Hard drive” on page 4-8](#))
 - b. Memory module (see [“Memory module” on page 4-10](#))
 - c. WLAN module (see [“WLAN module” on page 4-12](#))
 - d. Optical drive (see [“Optical drive” on page 4-14](#))
 - e. Keyboard (see [“Keyboard” on page 4-16](#))
 - f. Top cover (see [“Top cover” on page 4-18](#))
 - g. Audio board (see [“Audio board” on page 4-30](#))
 - h. Fan (see [“Fan” on page 4-32](#))
 - i. System board (see [“System board” on page 4-34](#))

Remove the Bluetooth module:

1. Turn the system board upside down, with the front toward you.
2. Disconnect the Bluetooth module cable ❶ from the system board.
3. Remove the two Phillips PM1.5×3.0 screws ❷ that secure the Bluetooth module to the system board.
4. Remove the module ❸.



Reverse this procedure to install the Bluetooth module.

Heat sink

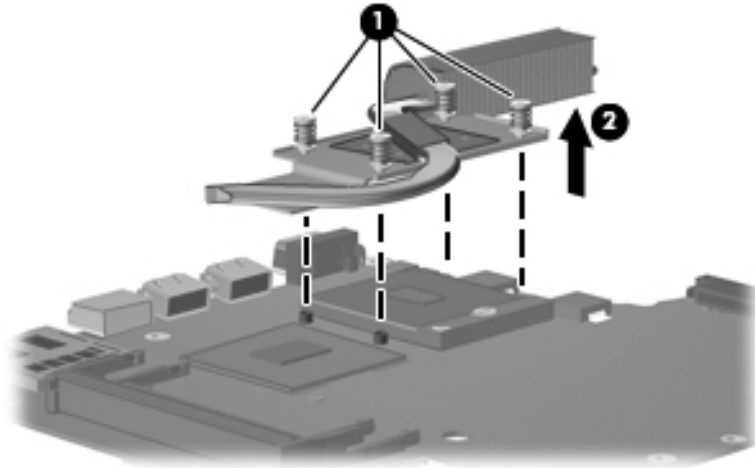
Description	Spare part number
Thermal module (includes heat sink and thermal material)	493270-001

Before removing the heat sink, follow these steps:

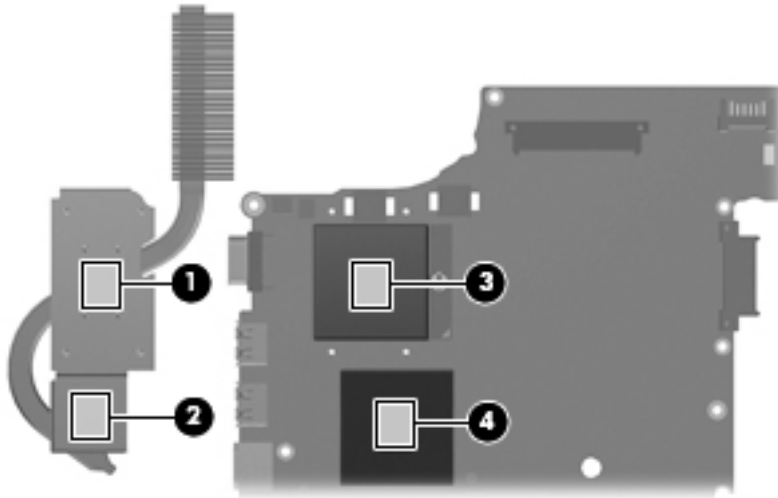
1. Shut down the computer. If you are unsure whether the computer is off or in Hibernation, turn the computer on, and then shut it down through the operating system.
2. Disconnect all external devices connected to the computer.
3. Disconnect the power from the computer by first unplugging the power cord from the AC outlet and then unplugging the AC adapter from the computer.
4. Remove the battery (see [“Battery” on page 4-7](#)).
5. Remove the following components:
 - a. Hard drive (see [“Hard drive” on page 4-8](#))
 - b. Memory module (see [“Memory module” on page 4-10](#))
 - c. WLAN module (see [“WLAN module” on page 4-12](#))
 - d. Optical drive (see [“Optical drive” on page 4-14](#))
 - e. Keyboard (see [“Keyboard” on page 4-16](#))
 - f. Top cover (see [“Top cover” on page 4-18](#))
 - g. Audio board (see [“Audio board” on page 4-30](#))
 - h. Fan (see [“Fan” on page 4-32](#))
 - i. System board (see [“System board” on page 4-34](#))

Remove the heat sink:

1. Loosen the four Phillips PM2.0×10.0 captive screws ❶ that secure the heat sink to the system board.
2. Remove the heat sink ❷ by lifting it straight up.



The thermal material must be thoroughly cleaned from the surfaces of the heat sink ❶ and ❷, the processor ❸, and graphics subsystem component ❹ on the system board each time the heat sink is removed. Thermal material is included with all system board, heat sink, and processor spare part kits.



Reverse this procedure to install the heat sink.

Processor



All processor spare part kits include replacement thermal material.


Description	Spare part number
Intel Core2 Duo processors (6-MB L2 cache, 1066-MHz FSB):	
■ T9600 2.8-GHz processor	486257-001
■ T9400 2.53-GHz processor	486256-001
■ P9500 2.53-GHz processor	496458-001
Intel Core2 Duo processors (3-MB L2 cache, 1066-MHz FSB):	
■ P8600 2.4-GHz processor	486255-001
■ P8400 2.26-GHz processor	486254-001
■ P7350 2.0-GHz processor	469459-001
Intel Celeron-M processors (1-MB L2 cache, 667-MHz FSB):	
■ 585 2.16-GHz processor	490337-001
■ 575 2.0-GHz processor	490336-001
Intel Celeron-T processor (1-MB L2 cache, 667-MHz FSB):	
T1600 1.66-GHz processor	506303-001
Intel Core Duo processors (2-MB cache, 800-MHz FSB):	
■ T5900 2.2-GHz processor	506307-001
■ T5800 2.0-GHz processor	506306-001
Intel Core Duo processors (1-MB cache, 667-MHz FSB):	
■ T3400 2.16-GHz processor	506305-001
■ T3200 2.0-GHz processor	506304-001

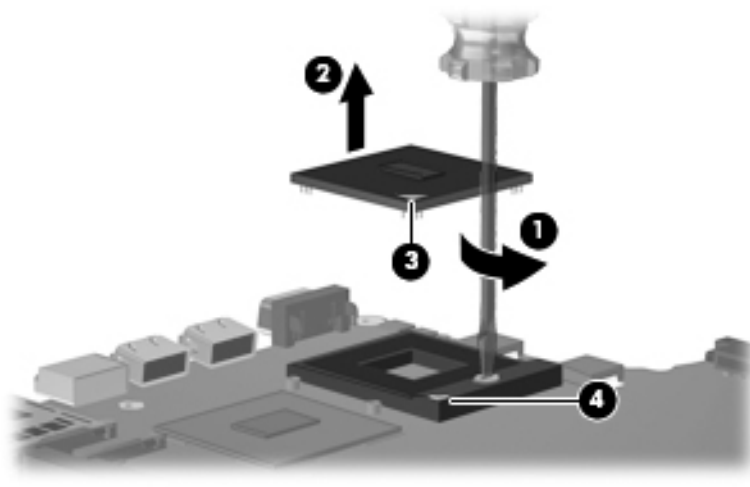
Before removing the processor, follow these steps:

1. Shut down the computer. If you are unsure whether the computer is off or in Hibernation, turn the computer on, and then shut it down through the operating system.
2. Disconnect all external devices connected to the computer.
3. Disconnect the power from the computer by first unplugging the power cord from the AC outlet and then unplugging the AC adapter from the computer.
4. Remove the battery (see [“Battery” on page 4-7](#)).
5. Remove the following components:
 - a. Hard drive (see [“Hard drive” on page 4-8](#))
 - b. Memory module (see [“Memory module” on page 4-10](#))
 - c. WLAN module (see [“WLAN module” on page 4-12](#))
 - d. Optical drive (see [“Optical drive” on page 4-14](#))
 - e. Keyboard (see [“Keyboard” on page 4-16](#))
 - f. Top cover (see [“Top cover” on page 4-18](#))
 - g. Audio board (see [“Audio board” on page 4-30](#))
 - h. Fan (see [“Fan” on page 4-32](#))
 - i. System board (see [“System board” on page 4-34](#))
 - j. Heat sink (see [“Heat sink” on page 4-42](#))

Remove the processor:

1. Use a flat-bladed screwdriver to turn the processor locking screw ❶ one-half turn counterclockwise until you hear a click.
2. Lift the processor ❷ straight up and remove it.

 When you install the processor, the gold triangle ❸ on the processor must be aligned with the triangle ❹ embossed on the processor slot.



Reverse this procedure to install the processor.

Setup Utility

The Setup Utility is a ROM-based information and customization utility that can be used even when your Windows operating system is not working.

The utility reports information about the computer and provides settings for startup, security, and other preferences.

Starting the Setup Utility

To start the Setup Utility:

- » Open the Setup Utility by turning on or restarting the computer. While the “Press the ESC key for Startup Menu” message is displayed in the lower-left corner of the screen, press **f10**.
- or –
- 1. Open the Setup Utility by turning on or restarting the computer. While the “Press the ESC key for Startup Menu” message is displayed in the lower-left corner of the screen, press **esc**.
- 2. When the Startup Menu is displayed, press **f10**.

Changing the language of the Setup Utility

The following procedure explains how to change the language of the Setup Utility. If the Setup Utility is not already running, begin at step 1. If the Setup Utility is already running, begin at step 2.

1. Open the Setup Utility by turning on or restarting the computer. While the “Press the ESC key for Startup Menu” message is displayed in the lower-left corner of the screen, press **f10**.

– or –

Open the Setup Utility by turning on or restarting the computer. While the “Press the ESC key for Startup Menu” message is displayed in the lower-left corner of the screen, press **esc**. When the Startup Menu is displayed, press **f10**.

2. Use the arrow keys to select **System Configuration > Language**, and then press **enter**.
3. Use the arrow keys to select a language, and then press **enter**.
4. When a confirmation prompt with your language selected is displayed, press **enter**.
5. To save your change and exit the Setup Utility, use the arrow keys to select **Exit > Exit Saving Changes**, and then press **enter**.

Your change goes into effect immediately.

Navigating and selecting in the Setup Utility

Because the Setup Utility is not Windows based, it does not support the TouchPad. Navigation and selection are by keystroke.

- To choose a menu or a menu item, use the arrow keys.
- To choose an item in a list or to toggle a field, for example an Enable/Disable field, use either the arrow keys or **f5** or **f6**.
- To select an item, press **enter**.
- To close a text box or return to the menu display, press **esc**.
- To display additional navigation and selection information while the Setup Utility is open, press **f1**.

Displaying system information

The following procedure explains how to display system information in the Setup Utility. If the Setup Utility is not open, begin at step 1. If the Setup Utility is open, begin at step 2.

1. Open the Setup Utility by turning on or restarting the computer. While the “Press the ESC key for Startup Menu” message is displayed in the lower-left corner of the screen, press **f10**.
– or –
Open the Setup Utility by turning on or restarting the computer. While the “Press the ESC key from Startup Menu” message is displayed in the lower-left corner of the screen, press **esc**. When the Startup Menu is displayed, press **f10**.
2. Select the **Main** menu. System information such as the system time and date, and identification information about the computer is displayed.
3. To exit the Setup Utility without changing any settings, use the arrow keys to select **Exit > Exit Discarding Changes**, and then press **enter**.

Restoring default settings in the Setup Utility

The following procedure explains how to restore the Setup Utility default settings. If the Setup Utility is not already running, begin at step 1. If the Setup Utility is already running, begin at step 2.

1. Open the Setup Utility by turning on or restarting the computer. While the “Press the ESC key for Startup Menu” message is displayed in the lower-left corner of the screen, press **f10**.
– or –
Open the Setup Utility by turning on or restarting the computer. While the “Press the ESC key for Startup Menu” message is displayed in the lower-left corner of the screen, press **esc**. When the Startup Menu is displayed, press **f10**.
2. Use the arrow keys to select **Exit > Load Setup Defaults**, and then press **enter**.
3. When the Setup Confirmation is displayed, press **enter**.
4. To save your change and exit the Setup Utility, use the arrow keys to select **Exit > Exit Saving Changes**, and then press **enter**.

The Setup Utility default settings go into effect when the computer restarts.



Your password, security, and language settings are not changed when you restore the factory default settings.

Exiting the Setup Utility

You can exit the Setup Utility with or without saving changes.

- To exit the Setup Utility and save your changes from the current session:

If the Setup Utility menus are not visible, press **esc** to return to the menu display. Then use the arrow keys to select **Exit > Exit Saving Changes**, and then press **enter**.

- To exit the Setup Utility without saving your changes from the current session:

If the Setup Utility menus are not visible, press **esc** to return to the menu display. Then use the arrow keys to select **Exit > Exit Discarding Changes**, and then press **enter**.

After either choice, the computer restarts in Windows.

Setup Utility menus

The menu tables in this section provide an overview of Setup Utility options.



Some of the Setup Utility menu items listed in this chapter may not be supported by your computer.

Main menu

Select	To do this
System information	<ul style="list-style-type: none"> ■ View and change the system time and date. ■ View identification information about the computer. ■ View specification information about the processor, memory size, system BIOS, and keyboard controller version (select models only).


Security menu

Select	To do this
BIOS administrator password	Enter, change, or delete a BIOS administrator password.
Power-On Password	Enter, change, or delete a power-on password.

System Configuration menu


Select	To do this
Language Support	Change the Setup Utility language.
Button Sound (select models only)	Enable/disable the capacitive button tapping sound.
Virtualization Technology	Enable/disable the processor Virtualization Technology.
Processor C4 State (select models only)	Enable/disable the processor C4 sleep state.
LAN Power Saving (select models only)	Enable/disable LAN Power Saving. When enabled, saves power when the computer is in DC mode.
Card Reader/1394 Power Saving (select models only)	Enable/disable Card Reader/1394 Power Saving. When enabled, saves power when the computer is in DC mode.
Fan Always On	Enabled/disable Fan Always On. When enabled, the computer fan will always be on.
Boot Options	<p>Set the following boot options:</p> <ul style="list-style-type: none"> ■ f9 and f10 Delay (sec.)—Set the delay for the f9 and f10 functions of the Setup Utility in intervals of 5 seconds each (0, 5, 10, 15, 20). ■ CD-ROM boot—Enable/disable boot from CD-ROM. ■ Floppy boot—Enable/disable boot from diskette. ■ Internal Network Adapter boot—Enable/disable boot from Internal Network Adapter. ■ Boot Order—Set the boot order for: <ul style="list-style-type: none"> <input type="checkbox"/> USB Floppy <input type="checkbox"/> Internal CD/DVD ROM Drive <input type="checkbox"/> Hard drive <input type="checkbox"/> USB Diskette on Key <input type="checkbox"/> USB Hard drive <input type="checkbox"/> Network adapter

Diagnostics menu

Select	To do this
Hard Disk Self Test	<p>Run a comprehensive self-test on the hard drive.</p> <p> On models with two hard drives, this menu option is called the Primary Hard Disk Self Test.</p>
Secondary Hard Disk Self Test (select models only)	Run a comprehensive self-test on a secondary hard drive.
Memory Test	Run a diagnostic test on the system memory.

Specifications

Computer specifications

	Metric	U.S.
Dimensions		
Length	22.6 cm	8.9 in
Width	29.4 cm	11.7 in
Height (front to rear)	2.8 to 3.6 cm	1.10 to 1.42 in
Weight		
Equipped with 4-cell battery and optical drive	1.85 kg	4.07 lbs
Input power		
Operating voltage	19.0 V dc @ 4.74 A - 65 W	
Operating current	4.74 A	
Temperature		
Operating (not writing to optical disc)	0°C to 35°C	32°F to 95°F
Operating (writing to optical disc)	5°C to 35°C	41°F to 95°F
Nonoperating	-20°C to 60°C	-4°F to 140°F
Relative humidity		
Operating	10% to 90%	
Nonoperating	5% to 95%	
Maximum altitude (unpressurized)		
Operating (14.7 to 10.1 psia)	-15 m to 3,048 m	-50 ft to 10,000 ft
Nonoperating (14.7 to 4.4 psia)	-15 m to 12,192 m	-50 ft to 40,000 ft
Shock		
Operating	125 g, 2 ms, half-sine	
Nonoperating	200 g, 2 ms, half-sine	
Random vibration		
Operating	0.75 g zero-to-peak, 10 Hz to 500 Hz, 0.25 oct/min sweep rate	
Nonoperating	1.50 g zero-to-peak, 10 Hz to 500 Hz, 0.5 oct/min sweep rate	
 Applicable product safety standards specify thermal limits for plastic surfaces. The computer operates well within this range of temperatures.		

12.1-inch, WXGA display specifications

	Metric	U.S.
Dimensions		
Height	16.9 cm	6.7 in
Width	26.2 cm	10.3 in
Diagonal	30.8 cm	12.1 in
Number of colors	Up to 16.8 million	
Contrast ratio	250:1 (typical)	
Brightness	180 nits (typical)	
Pixel resolution		
Pitch	0.279 × 0.279 mm	
Format	1280 × 800	
Configuration	RGB vertical stripe	
Backlight	Edge lit	
Character display	80 × 25	
Total power consumption	4.0 W	
Viewing angle	+/-40 horizontal, +120/-40° vertical (typical)	

Hard drive specifications

	320-GB*	250-GB*	160-GB*	120-GB*
Dimensions				
Height	9.5 mm	9.5 mm	9.5 mm	9.5 mm
Width	70 mm	70 mm	70 mm	70 mm
Weight	101 g	101 g	101 g	101 g
Interface type	SATA	SATA	SATA	SATA
Transfer rate	100 MB/sec	100 MB/sec	100 MB/sec	100 MB/sec
Security	ATA security	ATA security	ATA security	ATA security
Seek times (typical read, including setting)				
Single track	3 ms	3 ms	3 ms	3 ms
Average	13 ms	13 ms	13 ms	13 ms
Maximum	24 ms	24 ms	24 ms	24 ms
Logical blocks	625,142,448	488,397,168	312,581,808	234,441,648
Disc rotational speed	5400 rpm	5400 rpm	5400 rpm	5400 rpm
Operating temperature	5°C to 55°C (41°F to 131°F)			

*1 GB = 1 billion bytes when referring to hard drive storage capacity. Actual accessible capacity is less. Actual drive specifications may differ slightly.



Certain restrictions and exclusions apply. Contact technical support for details.

DVD/CD-RW Combo Drive specifications

Applicable disc	Read:	Write:
	CD-DA, CD+(E)G, CD-MIDI, CD-TEXT, CD-ROM, CD-ROM XA, MIXED MODE CD, CD-I, CD-I Bridge (Photo-CD, Video CD), Multisession CD (Photo-CD, CD-EXTRA, Portfolio, CD-R, CD-RW), CD-R, CD-RW, DVD-ROM (DVD-5, DVD-9, DVD-10, DVD-18), DVD-R, DVD-RW, DVD+R, DVD+RW, DVD-RAM	CD-R and CD-RW
Access time	CD	DVD
Random	< 190 ms	< 180 ms
Cache buffer	2 MB	
Data transfer rate		
16X CD-ROM	2,400 KB/sec	
8X DVD	2,400 KB/sec	
16X CD-R	2,400 KB/sec	
16X CD-RW	2,400 KB/sec	

Blu-ray ROM DVD±RW SuperMulti DL Drive specifications

Applicable disc	Read:	Write:
	BD-ROM, BD-ROM-DL, BD-R, BD-R-DL, BD-RE, BD-RE-DL, DVD-ROM, DVD+R, DVD+R-DL, DVD+RW, DVD-R, DVD-R-DL, DVD-RW, DVD-RAM (Ver.2), CD-DA, CD-ROM (Mode 1 and mode 2), CD-ROM XA (Mode 2, form 1 and form 2), Photo CD (Single and multiple sessions), CD Extra, CD-R, CD-RW, and CD-TEXT	DVD-RAM (Ver.2), DVD+R, DVD-R, CD-R, and CD-RW
Access time	BD	DVD
Random	< 230 ms	< 180 ms
Cache buffer	4.5 MB	
Data transfer rate		
2X BD-RAM	9 MB/sec	
8X DVD	2,400 KB/sec	
16X CD-R	2,400 KB/sec	
16X CD-RW	2,400 KB/sec	

DVD±RW and CD-RW SuperMulti Double-Layer Drive and DVD±RW and CD-RW SuperMulti Double-Layer Drive with LightScribe specifications

Applicable disc	Read:	Write:
	CD-ROM, CD-R, CD-RW, High Speed CD-RW, Ultra & Ultra+ Speed CD-RW, DVD, DVD±R/RW, DVD±R, DVD-RAM	DVD-RAM (Ver.2), DVD±R, DVD±RW, DVD±Dual, CD-R, and CD-RW
Access time	CD	DVD
Random	< 130 ms	< 150 ms
Cache buffer	2 MB	
Data transfer rate		
5X DVD-RAM	6,750 KB/sec	
8X DVD±RW	10,800 KB/sec	
8X DVD±R	10,800 KB/sec	
16X CD-R	3,600 KB/sec	
16X CD-RW (High Speed)	1,500 KB/sec	

System DMA specifications


Hardware	DMA System function
DMA0	Not applicable
DMA1*	Not applicable
DMA2*	Not applicable
DMA3	Not applicable
DMA4	Direct memory access controller
DMA5*	Not applicable
DMA6	Not assigned
DMA7	Not assigned

*PC Card controller can use DMA 1, 2, or 5.

System interrupt specifications

Hardware IRQ	System function
IRQ0	System timer
IRQ1	Standard 101-/102-Key or Microsoft® Natural Keyboard
IRQ8	System CMOS/real-time clock
IRQ12	Synaptics PS/2 TouchPad
IRQ13	Numeric data processor
IRQ16	Intel ICH9 Family USB universal Host Controller 2937 Mobile Intel 4 Series Express Chipset Family
IRQ17	High Definition Audio Controller Intel ICH9 Family USB universal Host Controller 2938 Marvel Yukon 88E8072 PCIE-Gigabit Ethernet Controller
IRQ18	Intel ICH9 Family USB universal Host Controller 2939 Intel ICH9 Family USB universal Host Controller 2936
IRQ19	Intel ICH9 Family USB2 Enhanced Controller 293C
IRQ20	Intel ICH9 Family USB2 Enhanced Controller 293A Intel ICH9 Family USB universal Host Controller 2934
IRQ21	Intel ICH9M-E/M SATA AHCI Controller
IRQ22	Intel ICH9 Family USB universal Host Controller 2935

*Default configuration; audio possible configurations are IRQ5, IRQ7, IRQ9, IRQ10, or none.

 PC Cards may assert IRQ3, IRQ4, IRQ5, IRQ7, IRQ9, IRQ10, IRQ11, or IRQ15. Either the infrared or the serial port may assert IRQ3 or IRQ4.

 For operating systems after Windows 2000, APIC (Advanced programming interrupt controller) is used.

System I/O address specifications

I/O address (hex)	System function (shipping configuration)
000 - 01F	DMA controller
020 - 021	Program interrupt controller
024 - 025	Program interrupt Controller
028 - 029	Program interrupt Controller
02C - 03D	Program interrupt Controller
02E - 02F	Motherboard Resource
030 - 031	Program interrupt Controller
034 - 035	Program interrupt Controller
038 - 039	Program interrupt Controller
03C- 03D	Program interrupt Controller
040 - 043	System Timer
04E-04F	Motherboard Resource
050-053	System Timer
060	Standard 101-/102-Key or Microsoft. Natural Keyboard
061	Motherboard Resource
062	Microsoft ACPI-Compliant Embedded Controller
063	Motherboard Resource
064	Standard 101-/102-Key or Microsoft. Natural Keyboard
065	Motherboard resources
066	Microsoft ACPI-Compliant Embedded Controller
067	Motherboard resources
070	Motherboard resources
070-077	System CMOS/real time clock
080	Motherboard resources
081-091	Direct memory access controller
092	Motherboard resources
093-09F	Direct memory access controller
0A0-0A1	Program interrupt Controller
0A4-0A5	Program interrupt Controller
0A8-0A9	Program interrupt Controller
0AC-0AD	Program interrupt Controller
0B0-0B1	Program interrupt Controller
0B2-0B3	Motherboard resources
0B4- 0B5	Program interrupt Controller
0B8-0B9	Program interrupt Controller
0BC- 0BD	Program interrupt Controller

(Continued)

I/O address (hex)	System function (shipping configuration)
0C0-0DF	Direct memory access controller
0F0-0F0	Numeric data processor
0200-027F	Motherboard resource
3B0-3BB	Mobile Intel 4 series Express Chipset Family
3C0-3DF	Mobile Intel 4 series Express Chipset Family
400-47F	Motherboard resource
4D0-4D1	Programmable interrupt controller
500-57F	Motherboard resources
1000-1003	Motherboard resources
1010-101F	Motherboard resources
2000-20FF	Marvell Yukon 88E8072 PCI-E Gigabit Ethernet Controller
2000-2FFF	ICH9 Family PCI Express Root Port6-294A
3000-4FFF	ICH9 Family PCI Express Root Port5-2948
5000-6FFF	ICH9 Family PCI Express Root Port3-2944
7000-701F	ICH9M-E/M SATA AHCI Controller
7020-703F	ICH9 Family USB universal Host Controller-2936
7040-705F	ICH9 Family USB universal Host Controller-2935
7060-707F	ICH9 Family USB universal Host Controller-2934
7080-709F	ICH9 Family USB universal Host Controller-2939
70A0-70BF	ICH9 Family USB universal Host Controller-2938
70C0-70DF	ICH9 Family USB universal Host Controller-2937
70E0-70E7	ICH9M-E/M SATA AHCI Controller
70E8-70EF	ICH9M-E/M SATA AHCI Controller
70F0-70F7	Mobile Intel 4 series Express Chipset Family
70F8-70FB	ICH9M-E/M SATA AHCI Controller
70FC-70FF	ICH9M-E/M SATA AHCI Controller
EF80-EF9F	Motherboard resources
FE00-FE0F	Motherboard resources
FE80-EF8F	Motherboard resources
FFFF	Motherboard resources

System memory map specifications

Size	Memory address	System function
640 KB	00000000-0009FFFF	Base memory
128 KB	000A0000-000BFFFF	Video memory
64 KB	000C0000-000CFFFF	Video BIOS
64 KB	000E8000-000FFFFF	System BIOS
	00100000- XFFFFFFF	Extended memory (based on memory installed)
	(X+1)0000000-FEDFFFFFF	PCI bus
	FED00000-FED003FF	High precision event timer
	FEE01000-FFFFFFFF	PCI bus

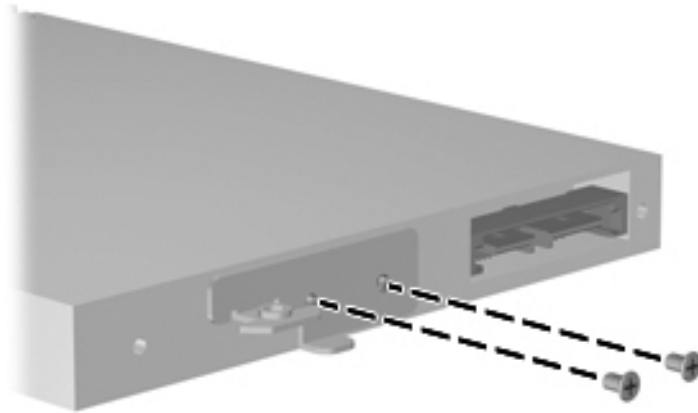
Screw listing

This section provides specification and reference information for the screws used in the computer. Some screws listed in this section are available in the Screw Kit, spare part number 493277-001.

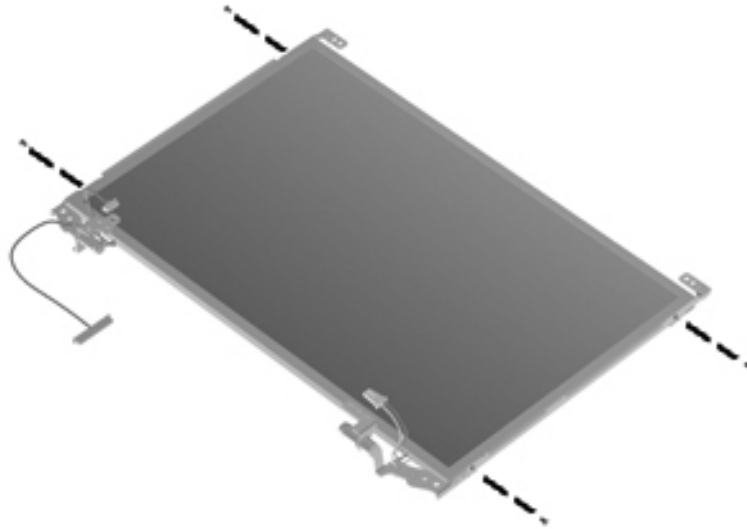
Phillips PM1.5×3.0 screw



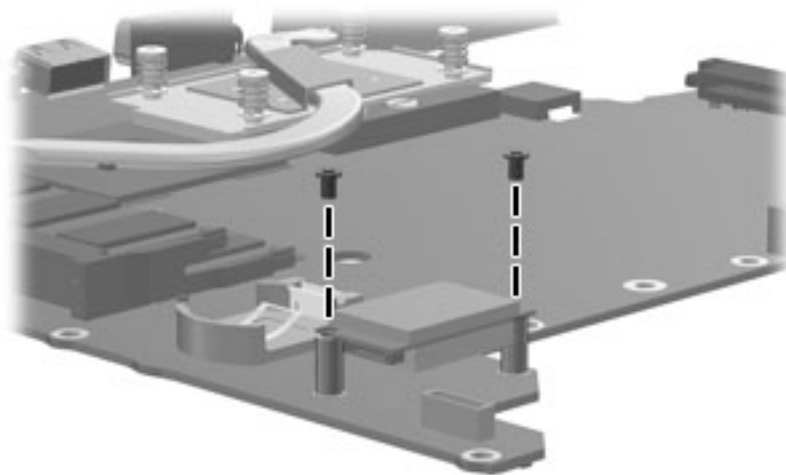
Color	Quantity	Length	Thread	Head diameter
Silver	8	3.0 mm	1.5 mm	3.0 mm



Where used: 2 screws that secure the optical drive bracket to the optical drive

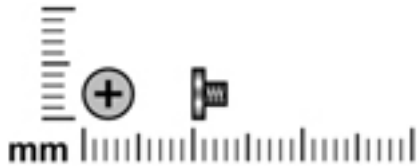


Where used: 4 screws that secure the display hinges to the display panel

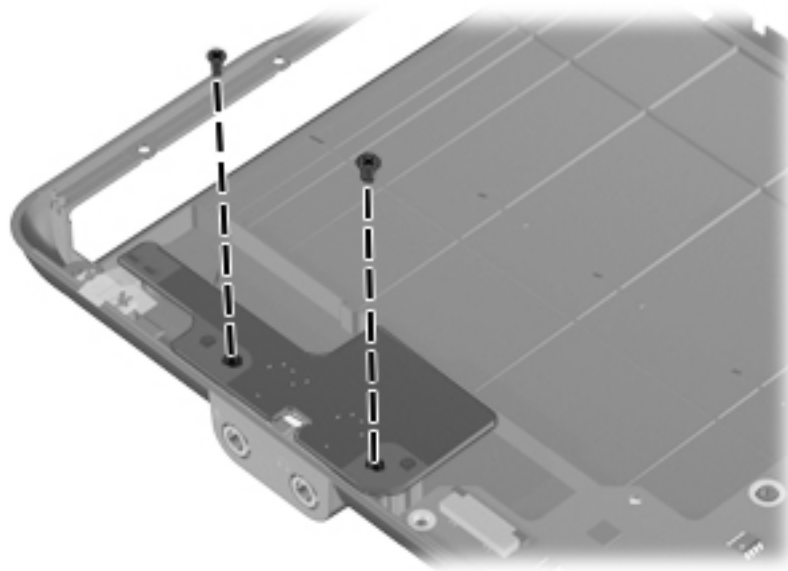


Where used: 2 screws that secure the Bluetooth module to the system board

Phillips PM2.0×3.0 screw

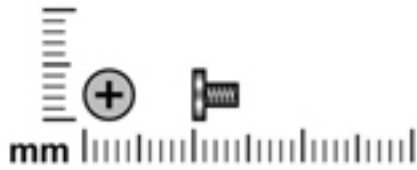


Color	Quantity	Length	Thread	Head diameter
Silver	2	3.0 mm	2.0 mm	3.0 mm

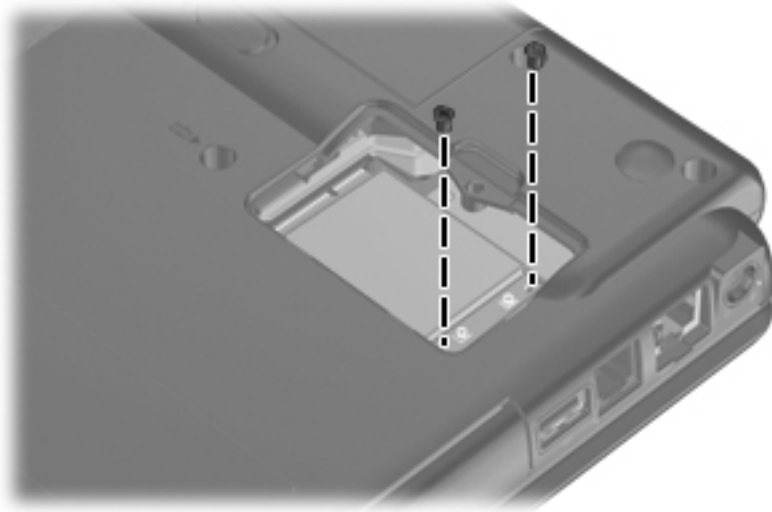


Where used: 2 screws that secure the audio board to the base enclosure

Phillips PM2.0×4.0 screw

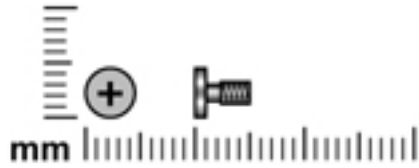


Color	Quantity	Length	Thread	Head diameter
Silver	2	4.0 mm	2.0	3.5 mm

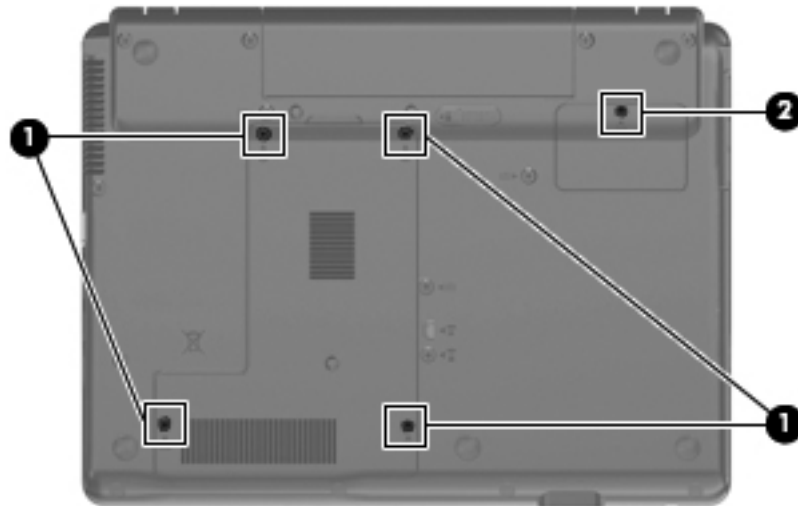


Where used: 2 screws that secure the WLAN module to the system board

Phillips PM2.0×5.0 captive screw

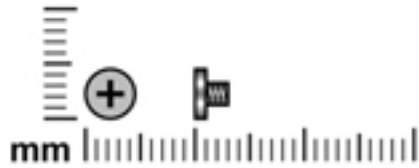


Color	Quantity	Length	Thread	Head diameter
Black	5	5.0 mm	2.0 mm	3.5 mm

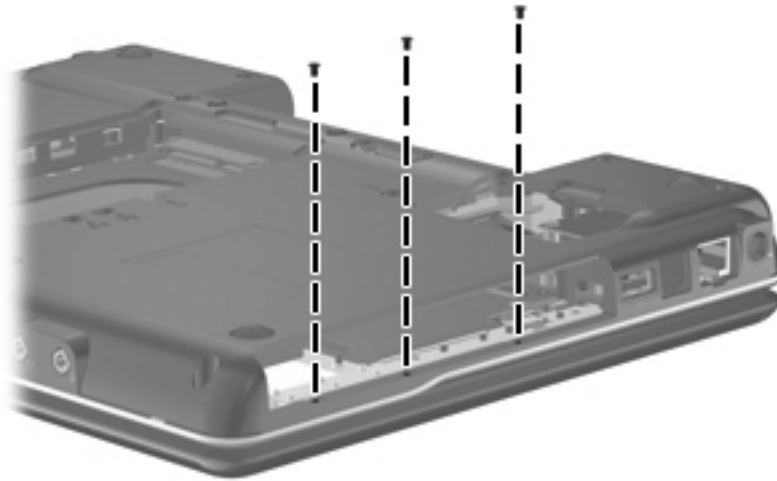


Where used: 4 captive screws ❶ that secure the hard drive cover to the computer and 1 captive screw ❷ that secures the wireless module compartment cover to the computer

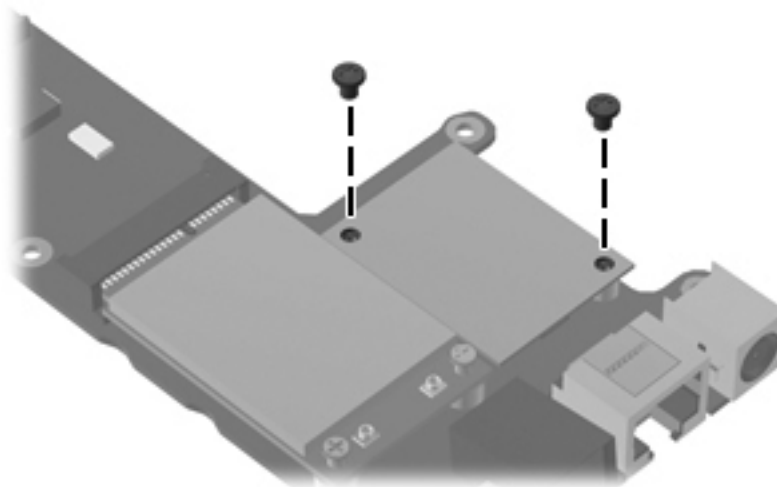
Phillips PM2.0×3.0 screw



Color	Quantity	Length	Thread	Head diameter
Black	5	3.0 mm	2.0 mm	4.0 mm

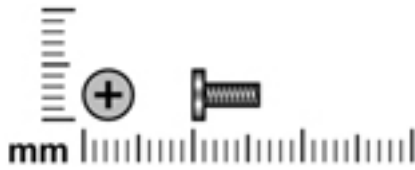


Where used: 3 screws (in optical drive bay) that secure the top cover to the computer

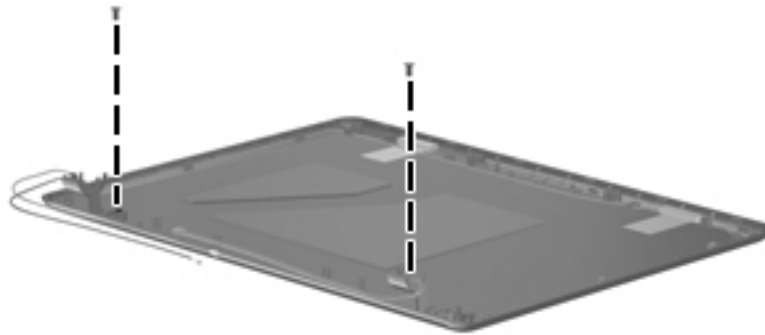


Where used: 2 screws that secure the modem module to the system board

Phillips PM2.0×6.0 screw

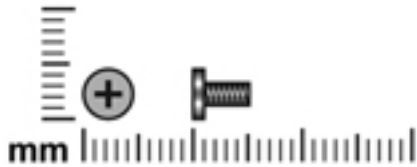


Color	Quantity	Length	Thread	Head diameter
Black	2	6.0 mm	2.0 mm	4.0 mm

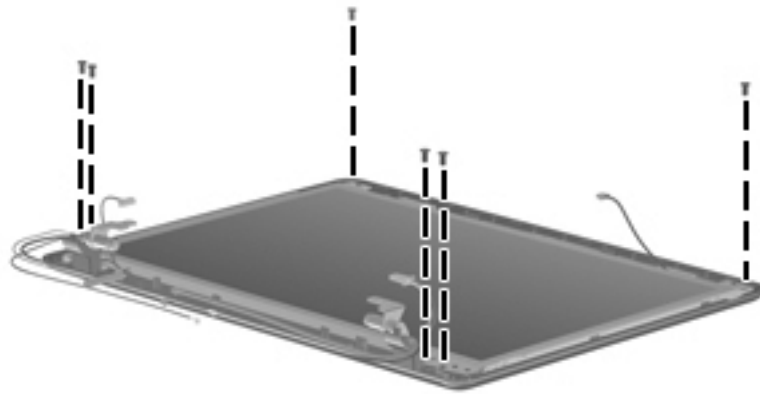


Where used: 2 screws that secure the display hinge covers to the display enclosure

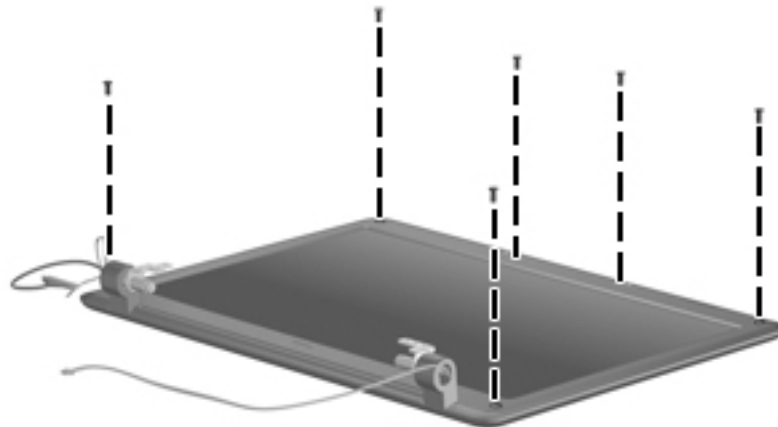
Phillips PM2.0×5.0 screw



Color	Quantity	Length	Thread	Head diameter
Silver	12	5.0 mm	2.0 mm	4.0 mm

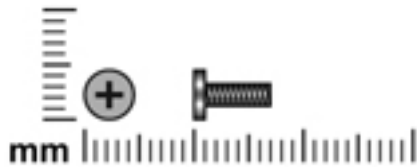


Where used: 6 screws that secure the display panel to the display enclosure

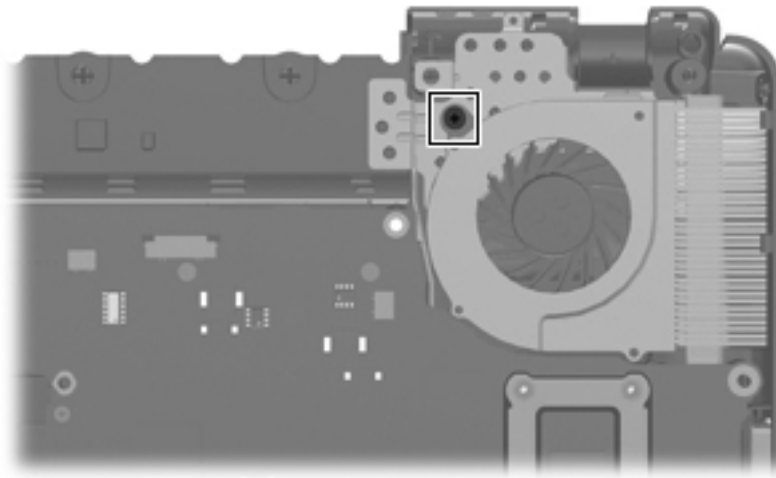


Where used: 6 screws that secure the display bezel to the display enclosure

Phillips PM2.0×7.0 captive screw

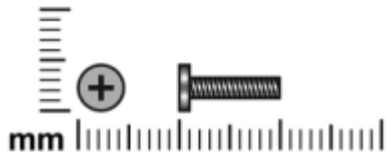


Color	Quantity	Length	Thread	Head diameter
Silver	1	7.0 mm	2.0 mm	4.0 mm

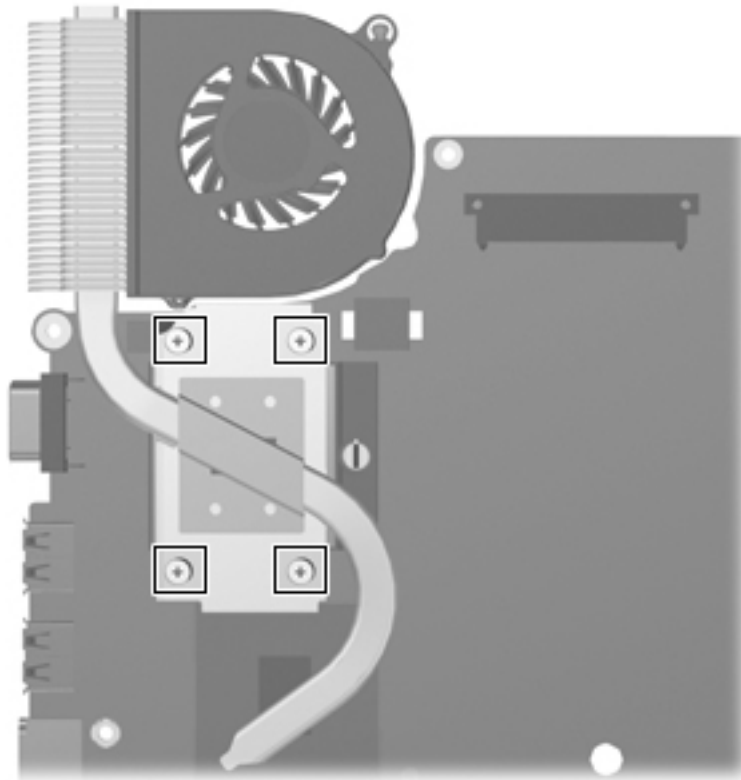


Where used: 1 captive screw that secures the fan to the base enclosure

Phillips PM2.0×10.0 captive screw

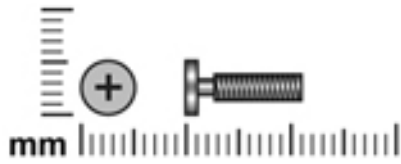


Color	Quantity	Length	Thread	Head diameter
Silver	4	10.0 mm	2.0	5.0 mm

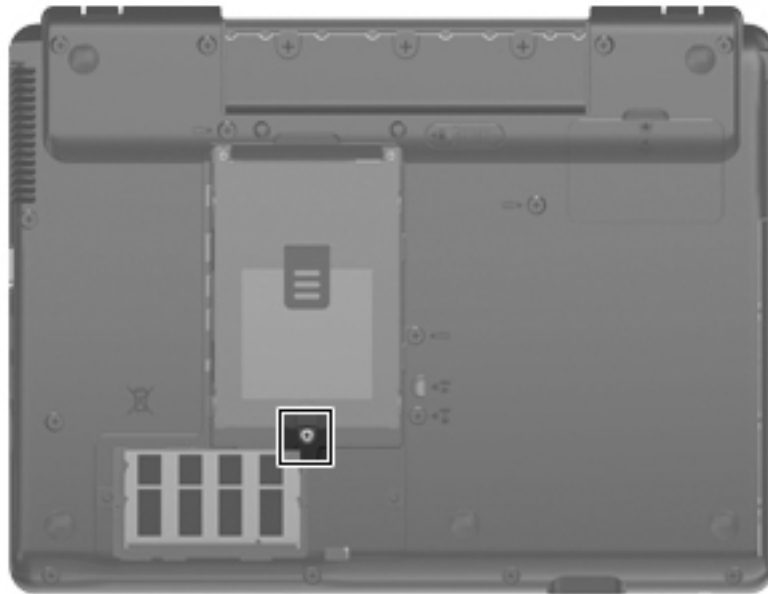


Where used: 4 captive screws that secure the heat sink to the system board

Phillips PM2.5×10.0 captive screw

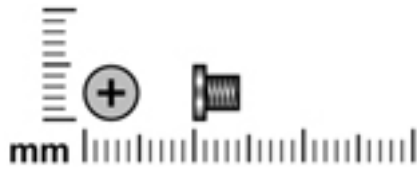


Color	Quantity	Length	Thread	Head diameter
Black	1	10.0 mm	2.5	5.0 mm



Where used: 1 captive screw that secures the hard drive to the computer

Phillips PM3.0×3.0 screw

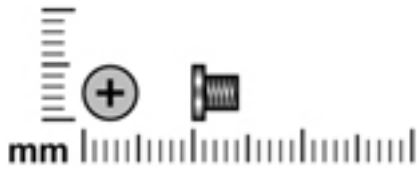


Color	Quantity	Length	Thread	Head diameter
Silver	4	3.0 mm	3.0	4.5 mm

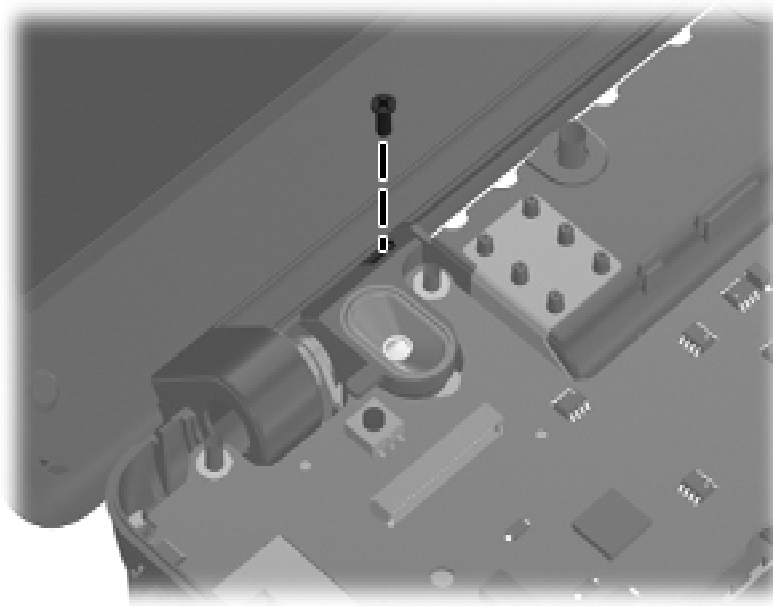


Where used: 4 screws that secure the hard drive bracket to the hard drive

Phillips PM3.0×4.0 screw

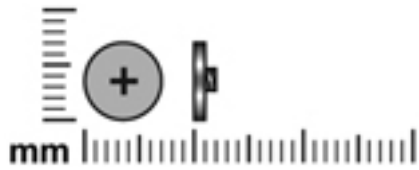


Color	Quantity	Length	Thread	Head diameter
Silver	1	4.0 mm	3.0	4.5 mm

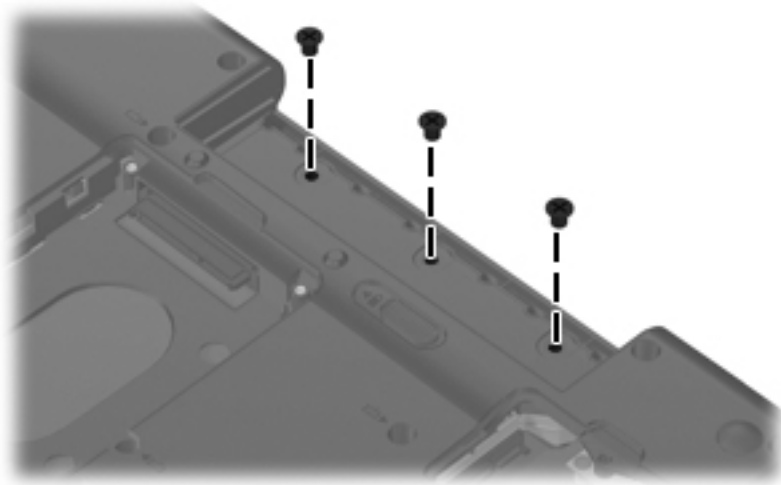


Where used: 1 screw that secures the speaker assembly to the base enclosure

Phillips T2.0×2.0BH screw

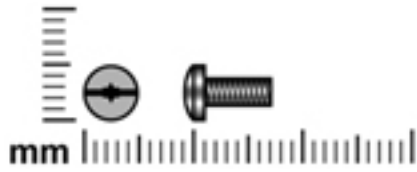


Color	Quantity	Length	Thread	Head diameter
Black	3	2.0 mm	2.0	6.0 mm



Where used: 3 screws (in the battery bay) that secure the top cover to the base enclosure

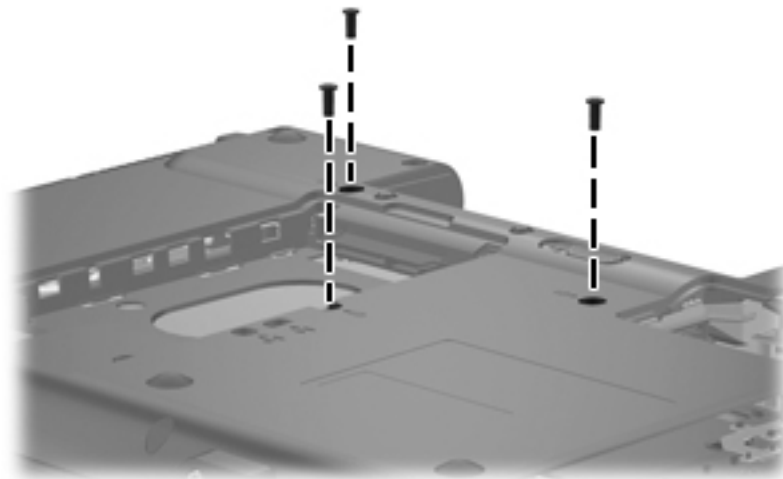
Torx T8M2.5×6.0 slotted screw



Color	Quantity	Length	Thread	Head diameter
Black	21	6.0 mm	2.5 mm	4.0 mm



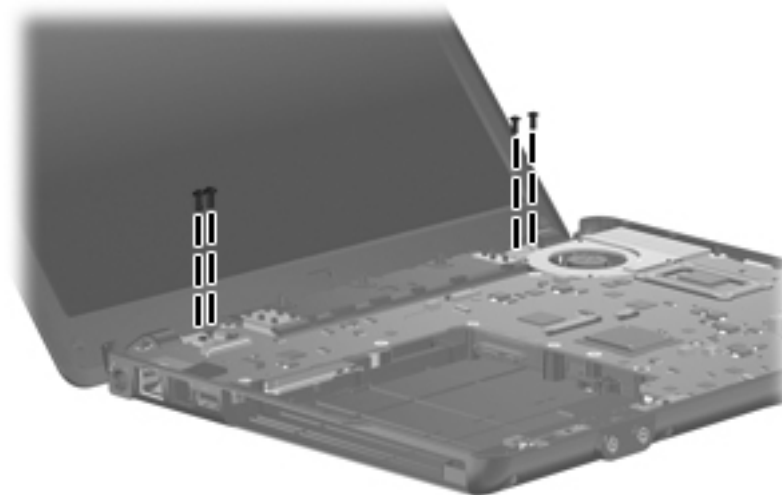
Where used: 1 screw that secures the optical drive to the computer



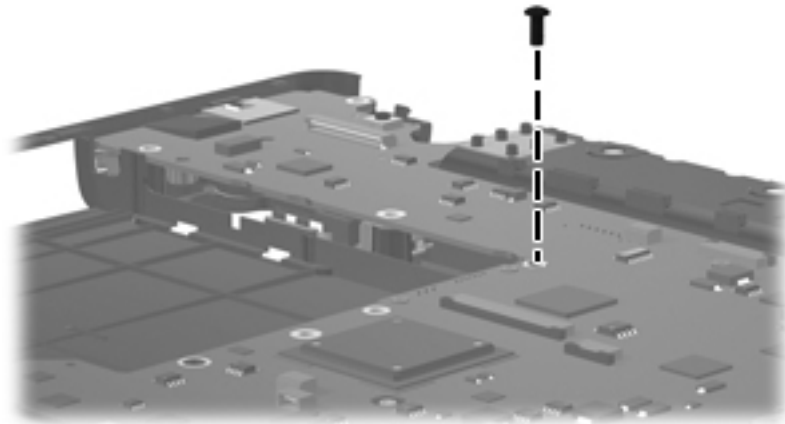
Where used: 3 screws that secure the keyboard to the computer



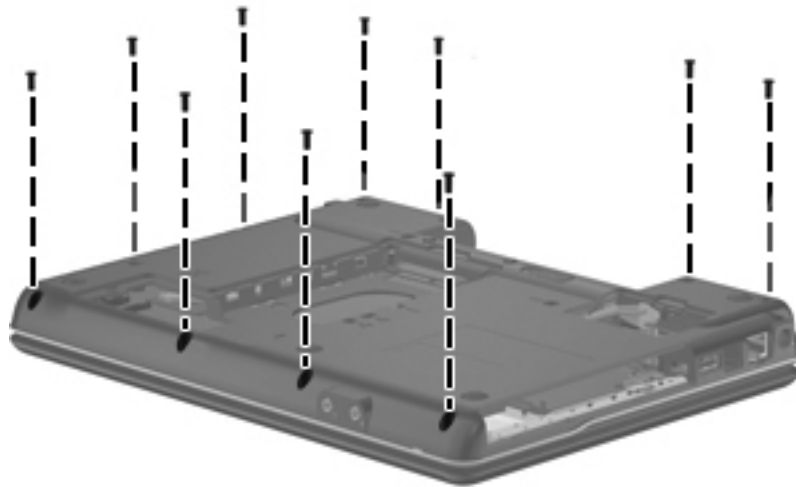
Where used: 2 screws that secure the top cover to the base enclosure (top)



Where used: 4 screws that secure the display assembly hinges to the computer



Where used: 1 screw that secures the system board to the base enclosure



Where used: 10 screws that secure the top cover to the base enclosure

Backup and recovery

Recovery after a system failure is as complete as your most current backup. HP recommends that you create recovery discs immediately after software setup. As you add new software and data files, you should continue to back up your system on a regular basis to maintain a reasonably current backup.

Tools provided by the operating system and Recovery Manager software are designed to help you with the following tasks for safeguarding your information and restoring it in case of a system failure:

- Making a set of recovery discs (Recovery Manager software feature). Recovery discs are used to start up (boot) your computer and restore the operating system and software programs to factory settings in case of system failure or instability.
- Backing up your information regularly to protect your important system files.
- Creating system restore points (operating system feature). System restore points allow you to reverse undesirable changes to your computer by restoring the computer to an earlier state.
- Recovering a program or driver (Recovery Manager software feature). This feature helps you reinstall a program or driver without performing a full system recovery.
- Performing a full system recovery (Recovery Manager software feature). With Recovery Manager, you can recover your full factory image if you experience system failure or instability. Recovery Manager works from a dedicated recovery partition (select models only) on the hard drive or from recovery discs you create.



If your computer includes a solid-state drive (SSD), you may not have a recovery partition. Recovery discs have been included for computers that do not have a partition. Use these discs to recover your operating system and software. To check for the presence of a recovery partition, select **Start > Computer**. If the partition is present, an HP Recovery drive is listed in the Hard Disk Drives section of the window.

Creating recovery discs




HP recommends that you create recovery discs to be sure that you can restore your system to its original factory state if you experience serious system failure or instability. Create these discs after setting up the computer for the first time.



Handle these discs carefully and keep them in a safe place. The software allows the creation of only one set of recovery discs.

Note the following guidelines before creating recovery discs:

- You will need high quality CD-R, DVD-R, double-layer DVD-R, DVD+R, double-layer DVD+R, or BD-R (writable Blu-ray) discs. All these discs are purchased separately.
 -  Read-write discs, such as CD-RW, DVD±RW, double-layer DVD±RW, and BD-RE (rewritable Blu-ray) discs, are not compatible with the Recovery Manager software.
- The computer must be connected to AC power during this process.


- Only one set of recovery discs can be created per computer.
- Number each disc before inserting it into the computer optical drive.
- If necessary, you can exit the program before you have finished creating the recovery discs. The next time you open Recovery Manager, you will be prompted to continue the disc creation process.

To create a set of recovery discs:

1. Select **Start > All Programs > Recovery Manager > Recovery Manager**.

Recovery Manager opens.

2. Click **Advanced Options**.

 If you are operating the computer on battery power, you will be prompted to connect to AC power before you can go to the next step.

3. Click **Recovery disc creation**, and then click **Next**.


4. Follow the on-screen instructions.

Backing up your information

With HP Backup & Recovery Manager, you can perform the following tasks:

- Back up your information regularly to protect your files
- Create system recovery points that allow you to reverse undesirable changes to your computer by restoring the computer to an earlier state

When to back up

- On a regularly scheduled basis
 -  Set reminders to back up your information periodically.
- Before the computer is repaired or restored
- Before you add or modify hardware or software

Backup suggestions

- Create a set of recovery discs using Recovery Manager.
- Create system restore points using the Windows System Restore feature, and periodically copy them to disc.
- Store personal files in the Documents folder and back up these folders periodically.
- Back up templates stored in their associated programs.
- Save customized settings in a window, toolbar, or menu bar by taking a screen shot of your settings. The screen shot can be a time-saver if you have to reset your preferences.

To copy the screen and paste it into a word-processing document, follow these steps:

- a. Display the screen.
- b. Copy the screen:
 - To copy only the active window, press **alt+fn+prt sc**.
 - To copy the entire screen, press **fn+prt sc**.
- c. Open a word-processing document, and then select **Edit > Paste**.

Using system restore points

When you back up your system, you are creating a system restore point. A system restore point allows you to save and name a snapshot of your hard drive at a specific point in time. You can then recover back to that point if you want to reverse subsequent changes made to your system.



Recovering to an earlier restore point does not affect data files saved or e-mails created since the last restore point.

You also can create additional restore points to provide increased protection for your system files and settings.

When to create restore points

- Before you add or extensively modify software or hardware
- Periodically, whenever the system is performing optimally



If you revert to a restore point and then change your mind, you can reverse the restoration.

Create a system restore point

1. Select **Start > Control Panel > System and Maintenance > System**.
2. In the left pane, click **System Protection**.
3. Click the **System Protection** tab.
4. Under **Automatic restore points**, select the disk for which you want to create a restore point.
5. Click **Create**.

The System Protection window opens.

6. Follow the on-screen instructions.

Restore to a previous date and time

To revert to a restore point (created at a previous date and time), when the computer was functioning optimally, follow these steps:

1. Select **Start > Control Panel > System and Maintenance > System**.
2. In the left pane, click **System protection**.
3. Click the **System Protection** tab.
4. Click the **System Restore** button, and then click **Next**.

The System Restore window opens.

5. Follow the on-screen instructions.

Performing a recovery



You can recover only files that you have previously backed up. HP recommends that you use Recovery Manager to create an entire drive backup as soon as you set up your computer.

Recovery Manager software allows you to repair or restore the system if you experience system failure or instability. Recovery Manager works from recovery discs that you create or from a dedicated recovery partition (select models only) on the hard drive. However, if your computer includes a solid-state drive (SSD), you may not have a recovery partition. If that is the case, recovery discs have been included with your computer. Use these discs to recover your operating system and software.



Windows has its own built-in repair features, such as System Restore and driver roll-back capabilities. If you have not already tried these features, try them before using Recovery Manager.



Recovery Manager recovers only software that was preinstalled at the factory. Software not provided with this computer must be downloaded from the manufacturer's Web site or reinstalled from the disc provided by the manufacturer.

Recovering from the recovery discs

To restore the system from the recovery discs:

1. Back up all personal files.
2. Insert the first recovery disc into the optical drive and restart the computer.
3. Follow the on-screen instructions.

Recovering from the dedicated recovery partition (select models only)



If your computer includes a solid-state drive (SSD), you may not have a recovery partition. You will not be able to recover using this procedure. Recovery discs have been included for computers that do not have a partition. Use these discs to recover your operating system and software.

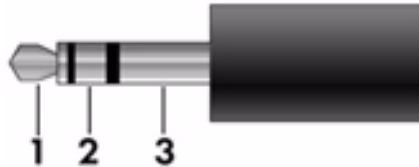
On some models, you can perform a recovery from the partition on the hard drive from either the Start button or **f11**.

To restore the system from the partition, follow these steps:

1. Access Recovery Manager in either of the following ways:
 - Select **Start > All Programs > Recovery Manager > Recovery Manager**.
 - or–
 - Restart the computer and press **f11** while the “Press <F11> for recovery” message is displayed on the screen. Then select **Recovery Manager**.Recovery Manager opens.
2. Click **Advanced Options**.
3. Click **System recovery**, and then click **Next**.
4. Follow the on-screen instructions.

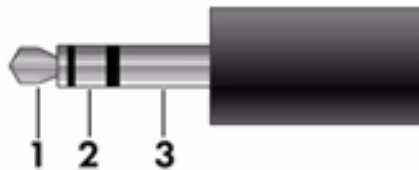
Connector pin assignments

Audio-out (headphone)



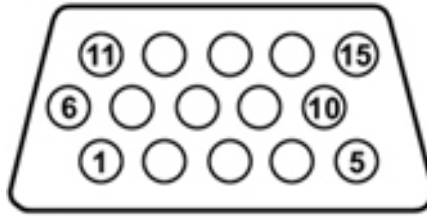
Pin	Signal
1	Audio out, left channel
2	Audio out, right channel
3	Ground

Audio-in (microphone)



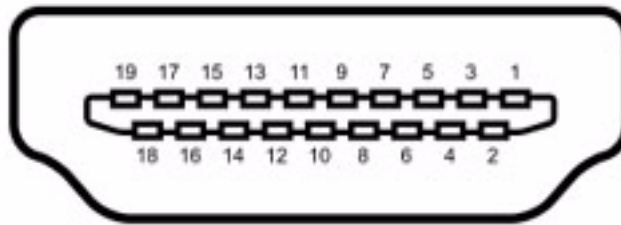
Pin	Signal
1	Audio signal in
2	Audio signal in
3	Ground

External monitor



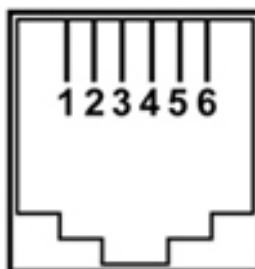
Pin	Signal
1	Red analog
2	Green analog
3	Blue analog
4	Not connected
5	Ground
6	Ground analog
7	Ground analog
8	Ground analog
9	+5 VDC
10	Ground
11	Monitor detect
12	DDC 2B data
13	Horizontal sync
14	Vertical sync
15	DDC 2B clock

HDMI



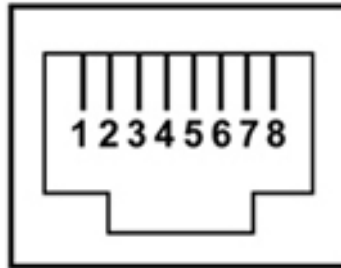
Pin	Signal
1	Transition minimized differential signal (TDMS) data 2+
2	Transition minimized differential signal (TDMS) data 2 shield
3	Transition minimized differential signal (TDMS) data 2-
4	Transition minimized differential signal (TDMS) data 1+
5	Transition minimized differential signal (TDMS) data 1 shield
6	Transition minimized differential signal (TDMS) data 1 shield
7	Transition minimized differential signal (TDMS) data 0+
8	Transition minimized differential signal (TDMS) data 0 shield
9	Transition minimized differential signal (TDMS) data 0-
10	Transition minimized differential signal (TDMS) clock +
11	Transition minimized differential signal (TDMS) data clock shield
12	Transition minimized differential signal (TDMS) data clock-
13	Consumer electronics control (CEC)
14	Not connected
15	Display data channel (DDC) clock
16	Display data channel (DDC) data
17	Ground
18	+5V Power
19	Hot plug detect

RJ-11 (modem)



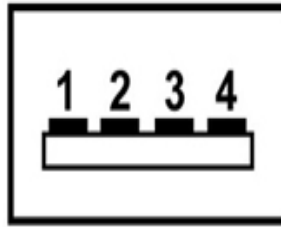
Pin	Signal
1	Unused
2	Tip
3	Ring
4	Unused
5	Unused
6	Unused

RJ-45 (network)



Pin	Signal
1	Transmit +
2	Transmit
3	Receive +
4	Unused
5	Unused
6	Receive -
7	Unused
8	Unused

Universal Serial Bus



Pin	Signal
1	+5 VDC
2	Data -
3	Data +
4	Ground

Power cord set requirements

The wide range input feature of the computer permits it to operate from any line voltage from 100 to 120 volts AC or from 220 to 240 volts AC.

The 3-conductor power cord set included with the computer meets the requirements for use in the country or region where the equipment is purchased.

Power cord sets for use in other countries and regions must meet the requirements of the country or region where the computer is used.

Requirements for all countries and regions

The requirements listed below are applicable to all countries and regions:

- The length of the power cord set must be at least 1.5 m (5.0 ft) and no more than 2.0 m (6.5 ft).
- All power cord sets must be approved by an acceptable accredited agency responsible for evaluation in the country or region where the power cord set will be used.
- The power cord sets must have a minimum current capacity of 10 amps and a nominal voltage rating of 125 or 250 V AC, as required by the power system of each country or region.
- The appliance coupler must meet the mechanical configuration of an EN 60 320/IEC 320 Standard Sheet C13 connector for mating with the appliance inlet on the back of the computer.

Requirements for specific countries and regions


Country/region	Accredited agency	Applicable note number
Australia	EANSW	1
Austria	OVE	1
Belgium	CEBC	1
Canada	CSA	2
Denmark	DEMKO	1
Finland	FIMKO	1
France	UTE	1
Germany	VDE	1
Italy	IMQ	1
Japan	METI	3
The Netherlands	KEMA	1
Norway	NEMKO	1
The People's Republic of China	CCC	5
South Korea	EK	4
Sweden	SEMKO	1
Switzerland	SEV	1
Taiwan	BSMI	4
The United Kingdom	BSI	1
The United States	UL	2


1. The flexible cord must be Type HO5VV-F, 3-conductor, 1.0-mm² conductor size. Power cord set fittings (appliance coupler and wall plug) must bear the certification mark of the agency responsible for evaluation in the country or region where it will be used.
2. The flexible cord must be Type SPT-3 or equivalent, No. 18 AWG, 3-conductor. The wall plug must be a two-pole grounding type with a NEMA 5-15P (15 A, 125 V) or NEMA 6-15P (15 A, 250 V) configuration.
3. The appliance coupler, flexible cord, and wall plug must bear a "T" mark and registration number in accordance with the Japanese Dentori Law. The flexible cord must be Type VCT or VCTF, 3-conductor, 1.00-mm² conductor size. The wall plug must be a two-pole grounding type with a Japanese Industrial Standard C8303 (7 A, 125 V) configuration.
4. The flexible cord must be Type RVV, 3-conductor, 0.75-mm² conductor size. Power cord set fittings (appliance coupler and wall plug) must bear the certification mark of the agency responsible for evaluation in the country or region where it will be used.
5. The flexible cord must be Type VCTF, 3-conductor, 0.75-mm² conductor size. Power cord set fittings (appliance coupler and wall plug) must bear the certification mark of the agency responsible for evaluation in the country or region where it will be used.


Battery

When a battery has reached the end of its useful life, do not dispose of the battery in general household waste. Follow the local laws and regulations in your area for computer battery disposal.

Display


 **WARNING:** The backlight contains mercury. Exercise caution when removing and handling the backlight to avoid damaging this component and causing exposure to the mercury.

 **CAUTION:** CAUTION: The procedures in this chapter can result in damage to display components. The only components intended for recycling purposes are the liquid crystal display (LCD) panel and the backlight. When you remove these components, handle them carefully.

 **Materials Disposal.** This HP product contains mercury in the backlight in the display assembly that might require special handling at end-of-life. Disposal of mercury may be regulated because of environmental considerations. For disposal or recycling information, contact your local authorities, or see the Electronic Industries Alliance (EIA) Web site at <http://www.eiae.org>.

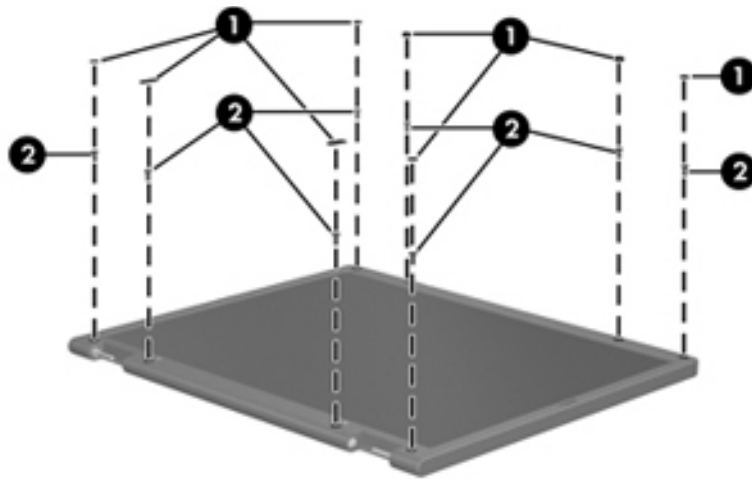
This section provides disassembly instructions for the display assembly. The display assembly must be disassembled to gain access to the backlight ❶ and the liquid crystal display (LCD) panel ❷.



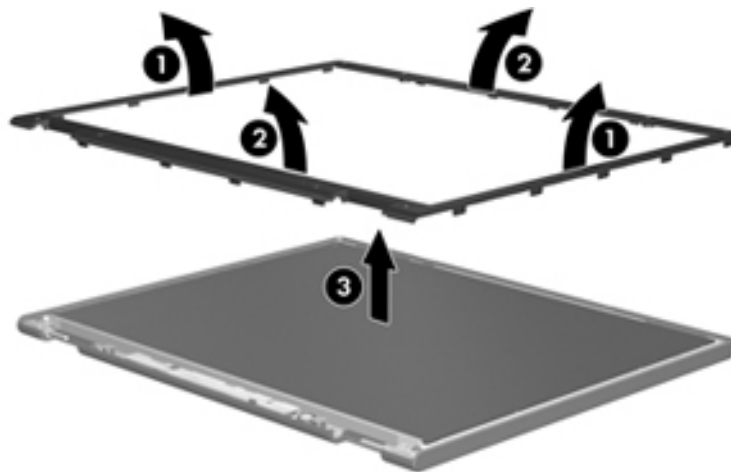
 The procedures provided in this chapter are general disassembly instructions. Specific details, such as screw sizes, quantities, and locations, and component shapes and sizes, can vary from one computer model to another.

Perform the following steps to disassemble the display assembly:

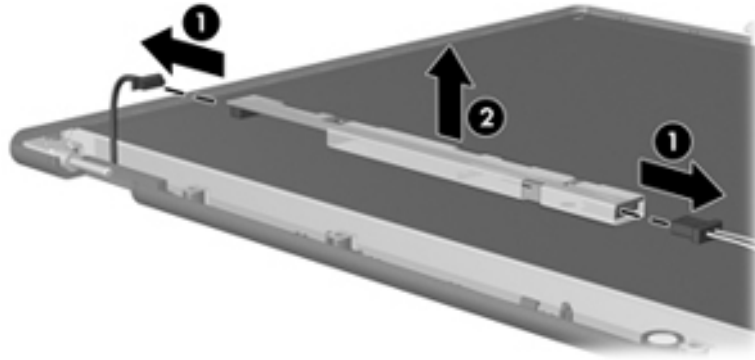
1. Remove all screw covers **1** and screws **2** that secure the display bezel to the display assembly.



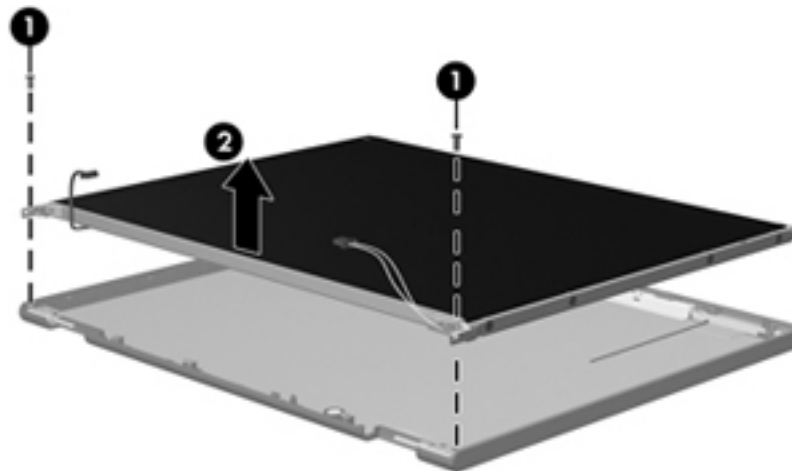
2. Lift up and out on the left and right inside edges **1** and the top and bottom inside edges **2** of the display bezel until the bezel disengages from the display assembly.
3. Remove the display bezel **3**.



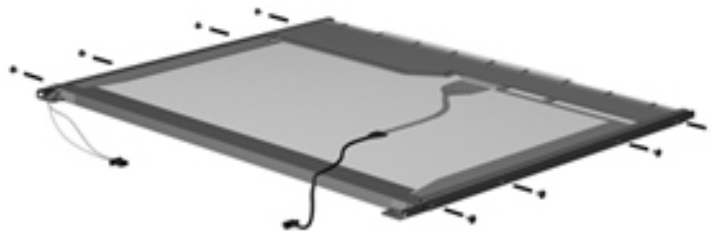
4. Disconnect all display panel cables ❶ from the display inverter and remove the inverter ❷.



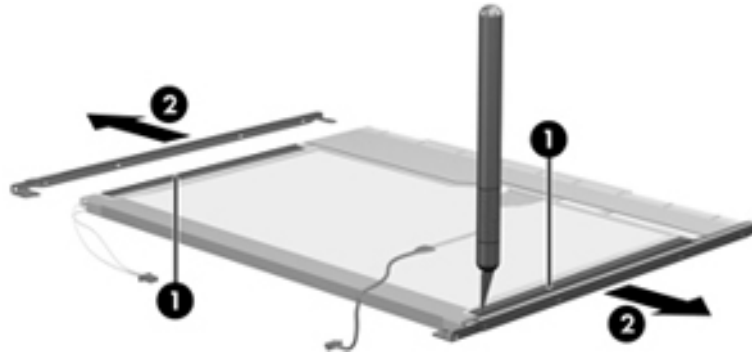
5. Remove all screws ❶ that secure the display panel assembly to the display enclosure.
6. Remove the display panel assembly ❷ from the display enclosure.



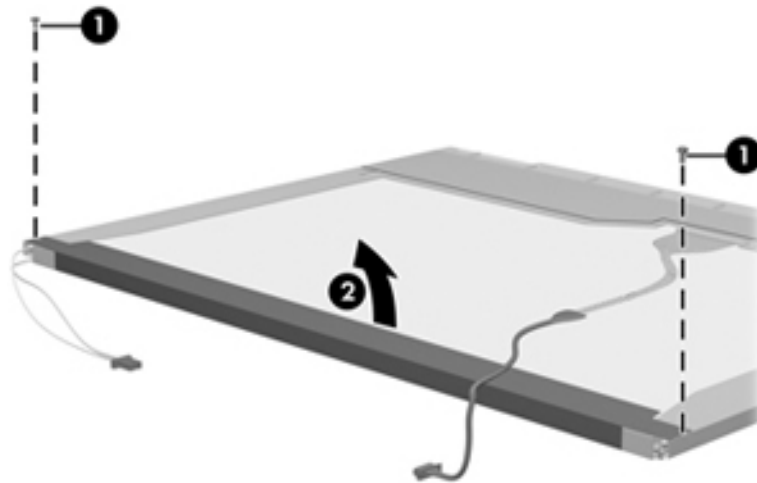
7. Turn the display panel assembly upside down.
8. Remove all screws that secure the display panel frame to the display panel.



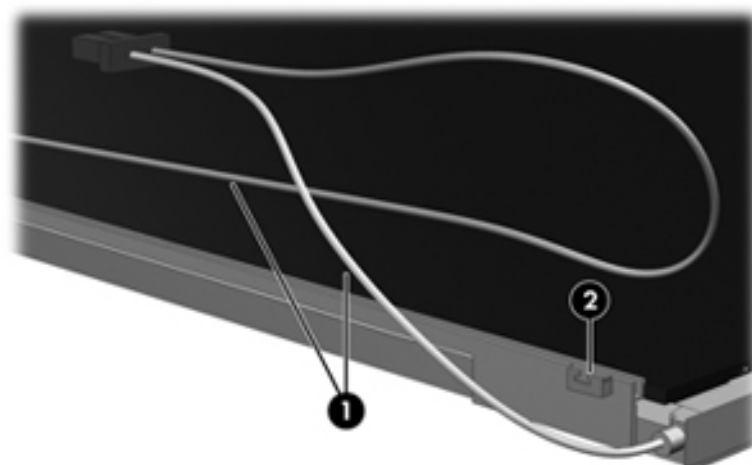
9. Use a sharp-edged tool to cut the tape ❶ that secures the sides of the display panel to the display panel frame.
10. Remove the display panel frame ❷ from the display panel.



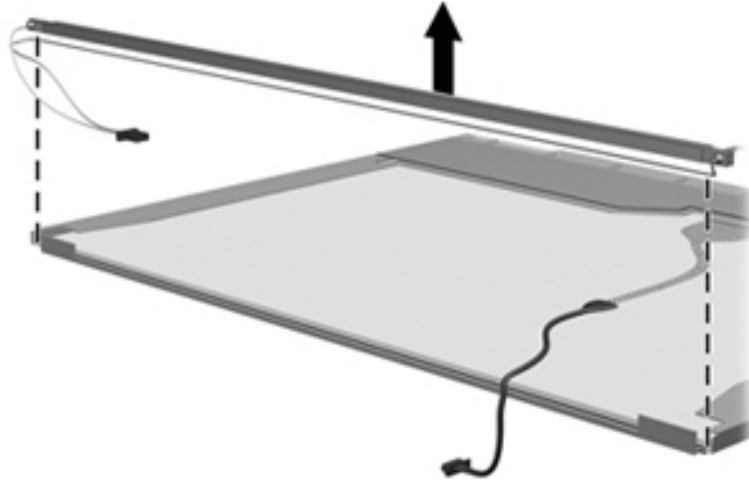
11. Remove the screws ❶ that secure the backlight cover to the display panel.
12. Lift the top edge of the backlight cover ❷ and swing it outward.



13. Remove the backlight cover.
14. Turn the display panel right-side up.
15. Remove the backlight cables ❶ from the clip ❷ in the display panel.

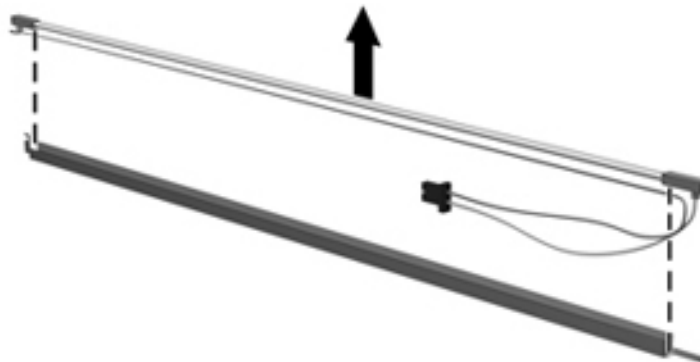


16. Turn the display panel upside down.
17. Remove the backlight frame from the display panel.

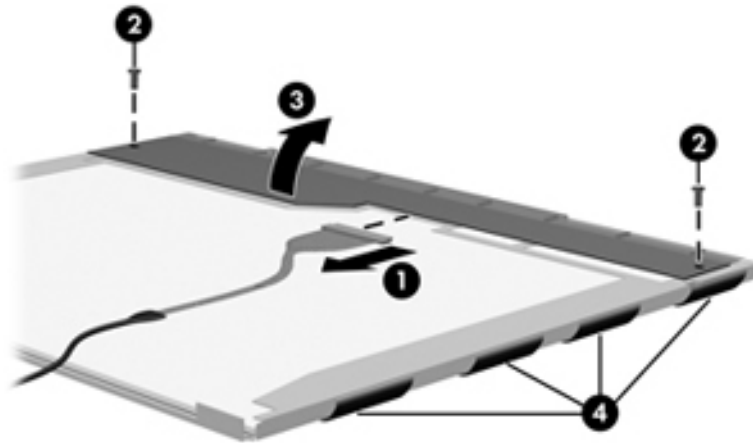


WARNING: The backlight contains mercury. Exercise caution when removing and handling the backlight to avoid damaging this component and causing exposure to the mercury.

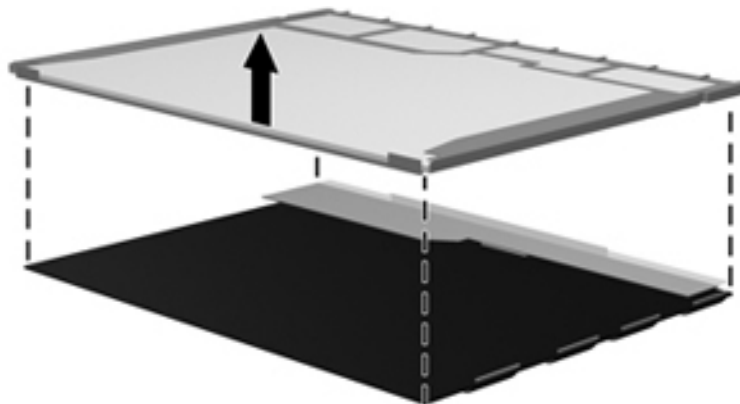
18. Remove the backlight from the backlight frame.



19. Disconnect the display panel cable ❶ from the LCD panel.
20. Remove the screws ❷ that secure the LCD panel to the display rear panel.
21. Release the LCD panel ❸ from the display rear panel.
22. Release the tape ❹ that secures the LCD panel to the display rear panel.



23. Remove the LCD panel.



24. Recycle the LCD panel and backlight.

A

- AC adapter, spare part number 3-10, 3-11
- antenna
 - components 1-3, 2-1
 - disconnecting 4-13
 - locations 2-1
 - spare part number 3-3, 3-12
- audio board
 - removal 4-31
 - spare part number 3-3, 3-13, 4-30
- audio, product description 1-2
- audio-in jack
 - location 2-6
 - pin assignments 9-1
- audio-out jack
 - location 2-6
 - pin assignments 9-1

B

- backing up 8-1, 8-2
- backup
 - files and folders 8-2
 - hard drive 8-3
 - scheduling 8-2
- base enclosure, spare part number 3-4, 3-13
- battery
 - removal 4-7
 - spare part number 3-13, 4-7
- battery bay 2-8
- battery light 2-5, 2-6
- battery release latch 2-8
- BIOS administrator password 5-3
- Bluetooth module
 - removal 4-41
 - spare part number 3-3, 3-11, 4-40
- Bluetooth module cable
 - illustrated 3-7
 - removal 4-41
- Blu-ray Disc specifications 6-3
- Blu-ray ROM DVD±RW SuperMulti DL Drive
 - removal 4-14
 - spare part number 3-4, 3-13, 4-14
 - specifications 6-3
- boot options 5-4

- boot order 5-4
- bottom components 2-8
- built-in device
 - Bluetooth device radio 2-5
 - modem 4-38
 - wireless button 2-3
 - WLAN device radio 2-5
- button components 2-3
- buttons
 - Media 2-3
 - power 2-3
 - volume down 2-3
 - volume mute 2-3
 - volume up 2-3

C

- Cable Kit
 - contents 3-7
 - spare part number 3-6, 3-7, 3-13
- cables, service considerations 4-1
- caps lock light 2-5
- CMOS clearing 4-36
- components
 - antennae 2-1
 - bottom 2-8
 - buttons 2-3
 - display 2-1
 - front 2-6
 - keys 2-4
 - left-side 2-6
 - lights 2-5
 - right-side 2-7
 - top 2-1
 - TouchPad 2-2
 - wireless antenna 2-1
- computer feet
 - locations 4-7
 - spare part number 4-7
- computer specifications 6-1
- connectors
 - power 2-6
 - service considerations 4-1
- creating recovery discs 8-1
- creating recovery points 8-3

D

- Diagnostics menu 5–4
- Digital Media Slot 2–7
- display assembly
 - removal 4–24
 - spare part number 3–3, 3–12, 4–24
- display bezel
 - removal 4–25
 - screws 7–9
 - spare part number 3–3, 3–12, 4–26
- display cables, spare part number 3–3, 3–12
- display components 2–1
- display enclosure, spare part number 3–3, 3–12
- display hinge covers, spare part number 3–3, 3–13
- display hinges
 - removal 4–28
 - spare part number 3–3, 3–12, 4–28, 4–29
- display inverter
 - removal 4–27
 - spare part number 3–3, 3–12, 4–27
- Display Miscellaneous Kit, spare part number 3–3, 3–12
- display nameplate, spare part number 3–3, 3–13
- display panel
 - removal 4–28
 - spare part number 3–3, 3–12
- display panel cable, disconnecting 4–24
- display specifications 6–2
- drive light 2–6
- DVD/CD-RW Combo Drive
 - removal 4–14
 - spare part number 3–4, 3–13, 4–14
 - specifications 6–3
- DVD±RW and CD-RW SuperMulti Double-Layer Drive
 - removal 4–14
 - spare part number 3–4, 3–13, 4–14
 - specifications 6–4
- DVD±RW and CD-RW SuperMulti Double-Layer Drive with LightScribe
 - removal 4–14
 - spare part number 3–4, 3–13, 4–14
 - specifications 6–4

E

- electrostatic discharge 4–2
- esc** key 2–4
- Ethernet, product description 1–3
- ExpressCard slot 2–7
- ExpressCard slot bezel, illustrated 3–3, 3–8

- extension memory module slot 4–11
- external media cards, product description 1–3
- external monitor port
 - location 2–7
 - pin assignments 9–2

F

- f11 recovery 8–4
- factory state, recovering to 8–1
- fan
 - removal 4–33
 - spare part number 3–3, 3–13, 4–32
- fn** key 2–4
- front components 2–6
- function keys 2–4

G

- graphics, product description 1–1
- grounding equipment and methods 4–2

H

- hard drive
 - precautions 4–2
 - product description 1–2
 - removal 4–8
 - spare part numbers 3–6, 3–9, 4–8
 - specifications 6–2
- hard drive backup 8–3
- hard drive bay 2–8
- hard drive bay cover
 - illustrated 3–3, 3–8
 - removal 4–8
 - spare part number 4–8
- hard drive bracket, removal 4–9
- hard drives
 - illustrated 3–9
 - spare part numbers 3–13
- HDMI port
 - assignments 9–3
 - illustrated 2–7
- headphone jack
 - location 2–6
 - pin assignments 9–1
- heat sink
 - removal 4–43
 - spare part number 4–42
- hinge
 - removal 4–28
 - spare part number 3–3, 3–12, 4–28

I

- I/O address specifications 6–6
- interrupt specifications 6–5

J

- jacks
 - audio-in 2-6
 - audio-out 2-6
 - headphone 2-6
 - microphone 2-6
 - modem 2-6
 - network 2-6
 - RJ-11 2-6
 - RJ-45 2-6

K

- key components 2-4
- keyboard
 - product description 1-3
 - removal 4-16
 - spare part numbers 3-3, 3-13, 4-16
- keypad keys 2-4
- keys
 - esc** 2-4
 - fn** 2-4
 - function 2-4
 - keypad 2-4
 - Windows applications 2-4
 - Windows logo 2-4

L

- LAN Power Saving 5-4
- language, changing in Setup Utility 5-1
- left-side components 2-6
- light components 2-5
- lights
 - battery 2-5, 2-6
 - caps lock 2-5
 - drive 2-6
 - power 2-5
 - QuickPlay 2-5
 - volume down 2-5
 - volume mute 2-5
 - volume up 2-5
 - webcam 2-1
 - wireless 2-5

M

- Main menu 5-3
- mass storage devices, spare part numbers 3-9
- Media button 2-3
- memory map specifications 6-8
- memory module
 - product description 1-2
 - removal 4-10
 - spare part numbers 3-6, 3-11, 3-12, 4-10

- microphone
 - location 2-1
 - product description 1-2
- microphone cable
 - removal 4-29
 - spare part number 4-29
- microphone jack
 - location 2-6
 - pin assignments 9-1
- model name 3-1, 4-6
- modem jack
 - location 2-6
 - pin assignments 9-4
- modem module
 - product description 1-2
 - removal 4-39
 - spare part number 3-3, 4-38
- modem module cable
 - illustrated 3-7
 - spare part number 3-3
- monitor port
 - location 2-7
 - pin assignments 9-2

N

- network jack
 - location 2-6
 - pin assignments 9-5

O

- operating system, product description 1-4
- optical drive
 - illustrated 3-9
 - location 2-6
 - precautions 4-2
 - product description 1-2
 - removal 4-14
 - spare part numbers 3-4, 3-9, 4-14
- optical drive bracket, removal 4-14, 4-15

P

- packing guidelines 4-3
- pin assignments
 - audio-in 9-1
 - audio-out 9-1
 - HDMI 9-3
 - headphone 9-1
 - microphone 9-1
 - modem 9-4
 - monitor port 9-2
 - network 9-5
 - RJ-11 9-4
 - RJ-45 9-5
 - USB 9-6

- plastic parts 4-1
 - Plastics Kit
 - contents 3-8
 - spare part number 3-3, 3-14
 - ports
 - external monitor 2-7
 - HDMI 2-7
 - product description 1-3
 - USB 2-6, 2-7
 - power button 2-3
 - power connector 2-6
 - power cord
 - set requirements 10-1
 - spare part numbers 3-10, 3-12
 - power light 2-5
 - power requirements, product description 1-3
 - primary memory module slot 4-11
 - processor
 - product description 1-1
 - removal 4-46
 - spare part numbers 3-4, 3-11, 3-12, 3-13, 4-44
 - product description
 - audio 1-2
 - chipset 1-1
 - ethernet 1-3
 - external media cards 1-3
 - graphics 1-1
 - hard drives 1-2
 - keyboard 1-3
 - memory module 1-2
 - microphone 1-2
 - modem module 1-2
 - operating system 1-4
 - optical drives 1-2
 - panels 1-1
 - ports 1-3
 - power requirements 1-3
 - processors 1-1
 - product name 1-1
 - security 1-3
 - serviceability 1-4
 - webcam 1-1
 - wireless 1-3
 - product name 1-1, 3-1, 4-6
- Q**
- QuickPlay light 2-5
- R**
- recovery methods
 - f11 recovery 8-4
 - recovery discs 8-4
 - Recovery Manager 8-4
 - recovery partition 8-4
 - recycling
 - battery 11-1
 - display 11-1
 - removal/replacement
 - preliminaries 4-1
 - procedures 4-6
 - restore points 8-3
 - restoring factory settings 5-2
 - right-side components 2-7
 - RJ-11 (modem) jack
 - location 2-6
 - pin assignments 9-4
 - RJ-45 (network) jack
 - location 2-6
 - pin assignments 9-5
 - RTC battery
 - removal 4-37
 - spare part number 3-3, 3-11, 4-36
 - Rubber Kit, spare part number 3-4, 3-13, 4-7
- S**
- scheduling backups 8-2
 - Screw Kit
 - contents 7-1
 - spare part number 3-10, 3-13
 - screw listing 7-1
 - SD Memory Card slot bezel, illustrated 3-8
 - security cable slot 2-7
 - Security menu
 - BIOS administrator password 5-3
 - Power-On password 5-3
 - security, product description 1-3
 - serial number 3-1, 4-6
 - service considerations 4-1
 - service tag 3-1, 4-6
 - serviceability, product description 1-4
 - Setup Utility
 - accessing 5-1
 - changing the language 5-1
 - Diagnostics menu 5-4
 - displaying system information 5-2
 - exiting 5-3
 - Main menu 5-3
 - navigating and selecting 5-2
 - restoring default settings 5-2
 - System Configuration menu 5-4
 - speakers
 - removal 4-23
 - spare part number 3-3, 3-13, 4-22
 - specifications
 - Blu-ray ROM DVD±RW SuperMulti DL Drive 6-3
 - display 6-2

- DVD/CD-RW Combo Drive 6-3
 - DVD±RW and CD-RW SuperMulti Double-Layer Drive 6-4
 - DVD±RW and CD-RW SuperMulti Double-Layer Drive with LightScribe 6-4
 - hard drive 6-2
 - I/O address 6-6
 - interrupts 6-5
 - memory map 6-8
 - system DMA 6-4
 - system memory map 6-8
 - system backup 8-1
 - system board
 - removal 4-35
 - spare part number 3-3, 3-12, 3-13, 4-34
 - System Configuration menu 5-4
 - system DMA 6-4
 - system information 5-2, 5-3
 - system interrupts 6-5
 - system recovery points 8-3
- T**
- thermal module, spare part number 3-4, 3-13, 4-42
 - tools required 4-1
 - top cover
 - removal 4-19
 - spare part number 3-3, 3-13, 4-18
 - TouchPad button 2-2
 - TouchPad scroll zone 2-2
 - TouchPad, location 2-2
- U**
- unknown password 4-5
 - USB port
 - location 2-6, 2-7
 - pin assignments 9-6
 - user replaceable parts 1-4
- V**
- vents 2-7, 2-8
 - volume down button 2-3
 - volume down light 2-5
 - volume mute button 2-3
 - volume mute light 2-5
 - volume up button 2-3
 - volume up light 2-5
- W**
- warranty period 3-1, 4-6
 - webcam
 - location 2-1
 - product description 1-1
 - removal 4-27
 - spare part number 3-12
 - webcam light 2-1
 - Windows application key 2-4
 - Windows logo key 2-4
 - wireless antenna
 - disconnecting 4-13
 - location 2-1
 - product description 1-3
 - wireless button 2-3
 - wireless light 2-5
 - wireless, product description 1-3
 - WLAN module
 - removal 4-13
 - spare part numbers 3-5, 3-11, 3-12, 4-12
 - WLAN module cable
 - removal 4-29
 - spare part number 4-29
 - WLAN module compartment 2-8
 - WLAN module compartment cover
 - illustrated 3-3, 3-8

Free Manuals Download Website

<http://myh66.com>

<http://usermanuals.us>

<http://www.somanuals.com>

<http://www.4manuals.cc>

<http://www.manual-lib.com>

<http://www.404manual.com>

<http://www.luxmanual.com>

<http://aubethermostatmanual.com>

Golf course search by state

<http://golfingnear.com>

Email search by domain

<http://emailbydomain.com>

Auto manuals search

<http://auto.somanuals.com>

TV manuals search

<http://tv.somanuals.com>