



Maintenance and Service Guide

HP Compaq nx8220 and nc8230 Notebook PCs
HP Compaq nw8240 Mobile Workstation

Document Part Number: 372658-001

March 2005

This guide is a troubleshooting reference used for maintaining and servicing the notebook. It provides comprehensive information on identifying notebook features, components, and spare parts; troubleshooting notebook problems; and performing notebook disassembly procedures.

© Copyright 2005 Hewlett-Packard Development Company, L.P.

Microsoft and Windows are U.S. registered trademarks of Microsoft Corporation. Intel and Pentium are trademarks or registered trademarks of Intel Corporation or its subsidiaries in the United States and other countries. Bluetooth is a trademark owned by its proprietor and used by Hewlett-Packard Company under license. SD logo is a trademark of its proprietor.

The information contained herein is subject to change without notice. The only warranties for HP products and services are set forth in the express warranty statements accompanying such products and services. Nothing herein should be construed as constituting an additional warranty. HP shall not be liable for technical or editorial errors or omissions contained herein.

Maintenance and Service Guide
HP Compaq nx8220 and nc8230 Notebook PCs
HP Compaq nw8240 Mobile Workstation
First Edition March 2005
Document Part Number: 372658-001

Contents

1 Product Description

- 1.1 Features 1–2
- 1.2 Resetting the Notebook 1–5
- 1.3 Power Management 1–5
- 1.4 External Components 1–6
- 1.5 Design Overview 1–20

2 Troubleshooting

- 2.1 Computer Setup 2–1
- 2.2 Troubleshooting Flowcharts 2–7

3 Illustrated Parts Catalog

- 3.1 Serial Number Location 3–1
- 3.2 Notebook Major Components 3–2
- 3.3 Miscellaneous Plastics Kit 3–14
- 3.4 Miscellaneous Cable Kit 3–15
- 3.5 Mass Storage Devices 3–16
- 3.6 Miscellaneous (Not Illustrated) 3–17
- 3.7 Sequential Part Number Listing 3–19

4 Removal and Replacement Preliminaries

- 4.1 Tools Required 4–1
- 4.2 Service Considerations 4–2
- 4.3 Preventing Damage to Removable Drives 4–3
- 4.4 Preventing Electrostatic Damage 4–4
- 4.5 Packaging and Transporting Precautions 4–5
- 4.6 Workstation Precautions 4–6
- 4.7 Grounding Equipment and Methods 4–7

5 Removal and Replacement Procedures

5.1	Serial Number	5-2
5.2	Disassembly Sequence Chart	5-3
5.3	Preparing the Notebook for Disassembly	5-5
5.4	Hard Drive	5-7
5.5	Notebook Feet	5-10
5.6	MultiBay II Device	5-11
5.7	External Memory Module	5-12
5.8	Bluetooth Board	5-15
5.9	Keyboard	5-17
5.10	Switch Cover	5-22
5.11	RTC Battery	5-26
5.12	Thermal Plate	5-27
5.13	Heat Sink	5-29
5.14	Processor	5-32
5.15	TPM Security Card	5-34
5.16	Internal Memory Module	5-35
5.17	TouchPad	5-37
5.18	Mini PCI Communications Card	5-40
5.19	Display Assembly	5-42
5.20	Top Cover	5-46
5.21	Modem Board	5-50
5.22	System Board	5-52
5.23	System Board Frame	5-59
5.24	Push Button Module	5-63
5.25	Serial Connector Module	5-65
5.26	Audio Board	5-67

6 Specifications

A Connector Pin Assignments

B Power Cord Set Requirements

C Screw Listing

Index

Product Description

The HP Compaq nx8220 and nc8230 Notebook PCs and HP Compaq nw8240 Mobile Workstation offer advanced modularity, Intel® Pentium® M processors, and extensive multimedia support.



*HP Compaq nx8220 and nc8230 Notebook PCs and
HP Compaq nw8240 Mobile Workstation*

1.1 Features

- Intel Pentium M 2.13-, 2.00-, 1.86-, 1.73-, or 1.60-GHz processors, varying by notebook model
- The following displays are available, varying by notebook model:
 - 15.4-inch, UXGA, TFT (1600 × 1200) with over 16.8 million colors
 - 15.4-inch, WSXGA, TFT (1680 × 1050) with over 16.8 million colors
 - 15.4-inch, WXGA, TFT (1366 × 768) with over 16.8 million colors
- 80-, 60-, or 40-GB high-capacity hard drive, varying by notebook model
- 256-MB DDR2 synchronous DRAM (SDRAM) at 400 and 533 MHz, expandable to 2.0 GB
- Microsoft® Windows® XP Home Edition or Windows XP Professional, varying by notebook model
- Full-size Windows keyboard with embedded numeric keypad
- TouchPad and pointing stick pointing devices, including a dedicated vertical scroll region.
- Integrated 10Base-T/100Base-TX Ethernet local area network (LAN) network interface card (NIC) with RJ-45 jack
- Integrated high-speed 56K modem with RJ-11 jack
- Integrated wireless support for Mini PCI IEEE 802.11a/b and 802.11a/b/g WLAN device
- Support for one Type I or Type II PC Card slot, with support for both 32-bit (CardBus) and 16-bit PC Cards

- External 90-watt AC adapter with 3-wire power cord
 - 8-cell Li-Ion battery pack
 - Stereo speakers
 - Volume up, volume mute, and volume down buttons (full-featured models only)
-



Numerous references are made throughout this *Maintenance and Service Guide* to “full-featured” and “defeatured” units. A notebook model is considered to be full-featured if it has 3 Universal Serial Bus ports and the following components:

- Volume control buttons
- Quick Launch buttons
- Infrared port
- SD Card slot
- Serial port
- S-Video-out port
- Docking connector

A notebook model is considered to be defeatured if it has only 2 Universal Serial Bus ports and none of the components listed above.

- Support for the following optical drives:
 - ❑ DVD-ROM drive
 - ❑ DVD+RW/R and CD-RW Combo Drive
 - ❑ DVD/CD-RW Combo Drive
- Connectors:
 - ❑ Infrared (full-featured models only)
 - ❑ Audio-out (headphone)
 - ❑ Audio-in (microphone)
 - ❑ Universal Serial Bus (USB) v. 2.0 (3 ports on full-featured notebook models, 2 ports on defeatured notebook models)
 - ❑ Serial port (full-featured models only)
 - ❑ Power
 - ❑ External monitor
 - ❑ RJ-45 (network)
 - ❑ RJ-11 (modem)
 - ❑ S-Video-out (full-featured models only)
 - ❑ IEEE 1394
 - ❑ PC Card
 - ❑ Smart card
 - ❑ SD Card (full-featured models only)
 - ❑ Parallel port (full-featured models only)
 - ❑ Primary battery
 - ❑ Travel battery
 - ❑ Docking connector (full-featured models only)

1.2 Resetting the Notebook

If the notebook you are servicing has an unknown password, follow these steps to clear the password. These steps also clear CMOS:

1. Prepare the notebook for disassembly (refer to [Section 5.3, “Preparing the Notebook for Disassembly,”](#) for more information).
2. Remove the real-time clock (RTC) battery (refer to [Section 5.11, “RTC Battery,”](#) for more information on removing and replacing the RTC battery).
3. Wait approximately 5 minutes.
4. Replace the RTC battery and reassemble the notebook.
5. Connect AC power to the notebook. Do not reinsert any battery packs at this time.
6. Turn on the notebook.

All passwords and all CMOS settings have been cleared.

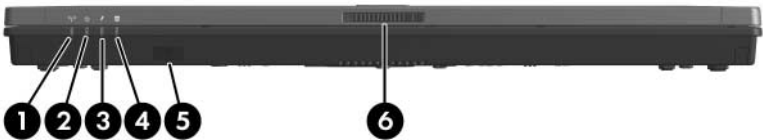
1.3 Power Management

The notebook comes with power management features that extend battery operating time and conserve power. The notebook supports the following power management features:

- Standby
- Hibernation
- Setting customization by the user
- Hotkeys for setting the level of performance
- Battery calibration
- Lid switch standby/resume
- Power/standby button
- Advanced Configuration and Power Management (ACPM) compliance

1.4 External Components

The external components on the front of the notebook are shown below and described in Table 1-1.



Front Components

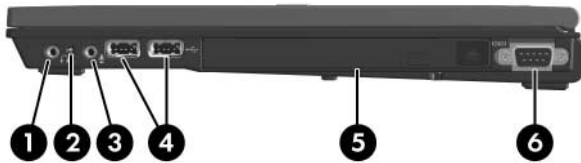
Table 1-1
Front Components

Item	Component	Function
1	Wireless light	On: an integrated wireless device (selected models only) has been turned on.
2	Power/standby light	■ On: The notebook is on. ■ Blinking: The notebook is in standby mode.

Table 1-1
Front Components (Continued)

Item	Component	Function
3	Battery light	<ul style="list-style-type: none"> ■ Amber: A battery pack is charging. ■ Green: A battery pack is close to full charge capacity. ■ Blinking amber: A battery pack that is the only available power source has reached a low-battery condition. When the battery reaches a critical low-battery condition, the battery light blinks more quickly. ■ Off: If the notebook is connected to external power, the light is turned off when all batteries in the notebook are fully charged. If the notebook is not connected to external power, the light is turned off until the battery reaches a low-battery condition.
4	Integrated Drive Electronics (IDE) drive light	On: A drive in the hard drive bay or MultiBay II is being accessed.
5	Infrared port (full-featured models only)	Provides wireless communication between the notebook and an optional IrDA-compliant device.
6	Display release latch	Opens the notebook.

The external components on the right side of the notebook are shown below and described in Table 1-2.

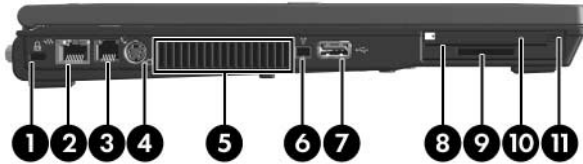


Right-Side Components

Table 1-2
Right-Side Components

Item	Component	Function
1	Audio-out (headphone) jack	Produces system sound when connected to optional powered stereo speakers, headphones, headset, or television audio.
2	Internal microphone	Records sound.
3	Audio-in (microphone) jack	Connects an optional monaural microphone.
4	USB ports (2) (full-featured models only)	Connect USB 1.1- and 2.0-compliant devices to the notebook using a standard USB cable, or connects an optional External MultiBay or External MultiBay II to the notebook. The External MultiBay must also be connected to an external power source.
5	MultiBay II	Holds an optional MultiBay II device.
6	Serial port (full-featured models only)	Connects an optional serial device.

The external components on the left side of the notebook are shown below and described in Table 1-3.




Left-Side Components

Table 1-3

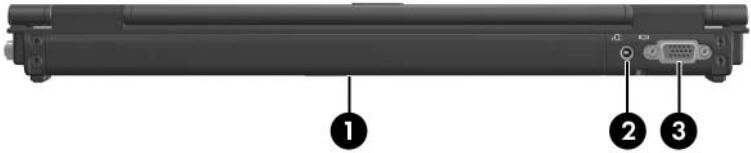
Left-Side Components

Item	Component	Function
1	Security cable slot	Attaches an optional security cable to the notebook. △ Security solutions are designed to act as deterrents. These deterrents may not prevent a product from being mishandled or stolen.
2	RJ-45 (network) jack	Connects a network cable.
3	RJ-11 (modem) jack	Connects the modem cable.
4	S-Video-out jack (full-featured models only)	Is a 7-pin, dual-purpose jack. It connects an optional S-Video device, such as a television, VCR, camcorder, overhead projector, or video capture card with an optional, standard (4-pin) S-Video cable. The extra 3 pins also enable an optional S-Video-to-composite adapter to be used with the notebook.

Table 1-3
Left-Side Components (Continued)

Item	Component	Function
5	Vent	Enables airflow to cool internal components.  To prevent overheating, do not obstruct vents. Do not allow a hard surface, such as a printer, or a soft surface, such as pillows or thick rugs or clothing, to block airflow.
6	1394 port (4 pin)	Connects an optional 4-pin 1394 device, such as a camcorder.
7	USB port	Connects USB 1.1- and 2.0-compliant devices to the notebook using a standard USB cable, or connects an optional External MultiBay or External MultiBay II to the notebook. The External MultiBay must be connected to an external power source.
8	Smart card reader	Accepts smart cards.
9	SD Card slot	Accepts Secure Digital (SD) Memory Cards.
10	PC Card slot	Supports optional Type I or Type II PC Card.
11	PC Card eject button	Ejects PC Cards from the PC Card slot.

The external components on the rear panel of the notebook are shown below and described in Table 1-4.

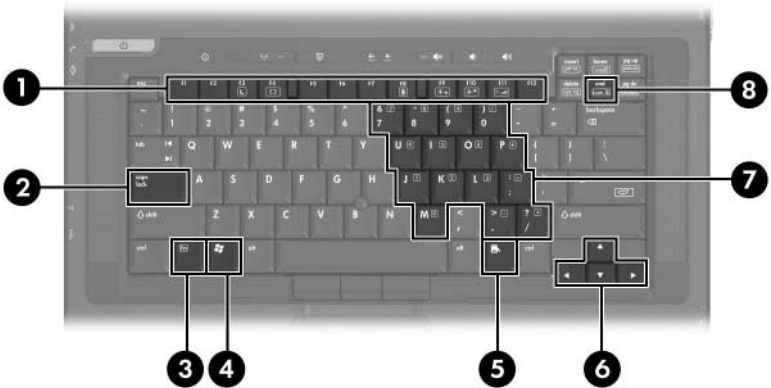


Rear Panel Components

Table 1-4
Rear Panel Components

Item	Component	Function
1	Primary battery bay	Holds the primary battery pack.
2	Power connector	Connects an AC adapter or an optional automobile or aircraft adapter.
3	External monitor port	Connects an optional external VGA monitor or projector.

The standard keyboard components of the notebook are shown below and described in Table 1-5.



Standard Keyboard Components

Table 1-5
Standard Keyboard Components

Item	Component	Function
1	Function keys (f3, f4, f8–f11)	Execute frequently used system functions when pressed in combination with the fn key.
2	caps lock key	Enables caps lock and turns on the caps lock light.
3	fn key	Executes frequently used system functions when pressed in combination with a function key or the esc key.
4	Windows logo key	Displays the Windows Start menu.
5	Windows applications key	Displays a shortcut menu for items beneath the pointer.
6	Arrow keys	Moves the cursor around the screen.
7	Keypad keys (15)	Can be used like the keys on an external numeric keypad.
8	num lock key	Enables numeric lock, turns on the embedded numeric keypad, and turns on the num lock light.

The notebook top components are shown below and described in Table 1-6.



Top Components, Part 1

Table 1-6

Top Components, Part 1


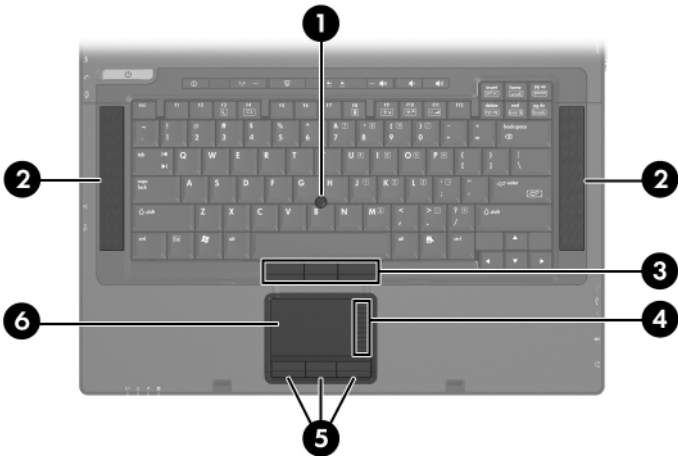
Item	Component	Function
1	Display lid switch	Initiates standby if the display is closed while the notebook is turned on.
2	Power/standby button	When the notebook is: <ul style="list-style-type: none">■ Off, press to turn on the notebook.■ On, briefly press to initiate hibernation.■ In standby, briefly press to resume from standby.■ In hibernation, briefly press to restore from hibernation. <p> If the system has stopped responding and Microsoft Windows shutdown procedures cannot be used, press and hold the power/standby button for at least 4 seconds to turn off the notebook.</p>

Table 1-6
Top Components, Part 1 (Continued)

Item	Component	Function
3	Info Center button	Enables you to view a list of commonly used software solutions.
4	Wireless button Wireless light	Enables and disables wireless LAN or Bluetooth® devices (select models only). On: A wireless LAN or Bluetooth device is hardware enabled.
5	Presentation mode button	Turns on Presentation mode.
6	Caps lock light	On: caps lock is on.
7	Num lock light	On: num lock or the numeric keypad is on.
8	Volume mute button (full-featured models only)	Turns off notebook sound.
9	Volume down button (full-featured models only)	Decreases system sound.
10	Volume up button (full-featured models only)	Increases system sound.

The notebook top components are continued below and described in Table 1-7.

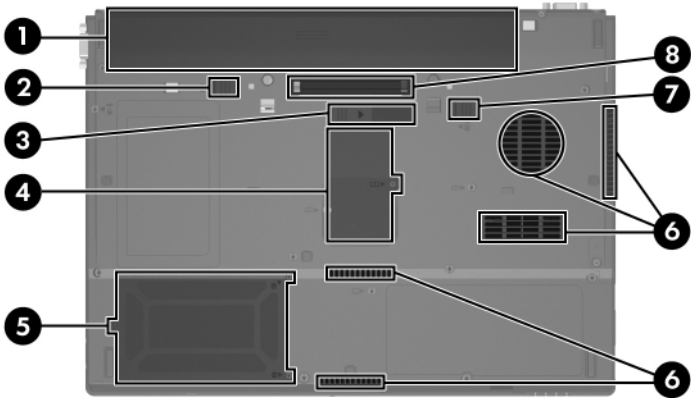


Top Components, Part 2

Table 1-7
Top Components, Part 2

Item	Component	Function
1	Pointing stick (select models only)	Moves the pointer and selects or activates items on the screen.
2	Speakers	Produce stereo sound.
3	Pointing stick buttons (select models only)	Function like the buttons on an external mouse.
4	TouchPad scroll zone	Scrolls up or down.
5	TouchPad buttons	Function like the buttons on an external mouse.
6	TouchPad	Moves the pointer and selects or activates items on the screen. Can be set to perform other mouse functions, such as scrolling, selecting, and double-clicking.

The external components on the bottom of the notebook are shown below and described in Table 1-8.




Bottom Components

Table 1-8
Bottom Components

Item	Component	Function
1	Primary battery bay	Holds the primary battery pack.
2	Primary battery locking latch	Secures the primary battery pack into the battery bay. This latch must be set to unlock to release the battery.

Table 1-8
Bottom Components (Continued)

Item	Component	Function
3	Travel battery connector	Connects an optional travel battery.
4	Memory module compartment	Contains one memory module slot.
5	Hard drive bay	Holds the primary hard drive.
6	Vents (5)	<p>Enable airflow to cool internal components.</p> <p> To prevent overheating, do not obstruct vents. Do not allow a hard surface, such as a printer, or a soft surface, such as pillows or thick rugs or clothing, to block airflow.</p>
7	Primary battery release latch	Releases the primary battery pack from the battery bay. The primary battery locking latch must be in the unlocked position.
8	Docking connector (full-featured models only)	Connects the notebook to an optional docking device.

1.5 Design Overview

This section presents a design overview of key parts and features of the notebook. Refer to [Chapter 3, “Illustrated Parts Catalog,”](#) to identify replacement parts, and [Chapter 5, “Removal and Replacement Procedures,”](#) for disassembly steps.

The system board provides the following device connections:

- Audio
- Display
- Hard drive
- Intel Pentium M processors
- Keyboard
- Memory module
- Mini PCI communications devices
- PC Card
- Pointing stick
- TouchPad
- Trusted platform module (TPM) security module



CAUTION: To properly ventilate the notebook, allow at least a 7.6-cm (3-inch) clearance on the left and right sides of the notebook.

The notebook uses an electric fan for ventilation. The fan is controlled by a temperature sensor and is designed to be turned on automatically when high temperature conditions exist. These conditions are affected by high external temperatures, system power consumption, power management/battery conservation configurations, battery fast charging, and software applications. Exhaust air is displaced through the ventilation grill located on the left side of the notebook.

Troubleshooting



WARNING: Only authorized technicians trained by HP should repair this equipment. All troubleshooting and repair procedures are detailed to allow only subassembly-/module-level repair. Because of the complexity of the individual boards and subassemblies, do not attempt to make repairs at the component level or modifications to any printed wiring board. Improper repairs can create a safety hazard. Any indication of component replacement or printed wiring board modification may void any warranty or exchange allowances.

2.1 Computer Setup

Computer Setup is a preinstalled, ROM-based utility that can be used even when the operating system is not working or will not load. If the operating system is working, the notebook restarts the operating system after you exit Computer Setup.



Pointing devices are not supported in Computer Setup; you must use the keyboard to navigate and make selections.

The menu tables later in this chapter provide an overview of Computer Setup options.

Accessing Computer Setup

The information and settings in Computer Setup are accessed from the **File**, **Security**, **Tools**, and **Advanced** menus.

1. Open Computer Setup by turning on or restarting the tablet PC. Press **f10** while the F10 = Based Setup message is displayed in the lower-left corner of the screen.
 - To change the language, press **f2**.
 - To view navigation information, press **f1**.
 - To return to the Computer Setup menu, press **esc**.
2. Select the **File**, **Security**, **Tools**, or **Advanced** menu.
3. To exit Computer Setup, choose one of the following:
 - To exit without saving any changes, use the arrow keys to select **File > Ignore changes and exit**, and then follow the instructions on the screen.
 - To exit and save all the settings you have entered, use the arrow keys to select **File > Save changes and exit**, and then follow the instructions on the screen.

Your preferences are set when you exit Computer Setup and take effect when the notebook restarts.

Restoring Computer Setup Defaults

To return all settings in Computer Setup to the values that were set at the factory:

1. Open Computer Setup by turning on or restarting the tablet PC. Press **f10** while the F10 = Based Setup message is displayed in the lower-left corner of the screen.
 - To change the language, press **f2**.
 - To view navigation information, press **f1**.
2. Use the arrow keys to select **File > Restore defaults**.
3. Select the **Restore Defaults** check box.

4. To confirm the restoration, press **f10**.
5. Select **File > Save changes and exit**, and then follow the instructions on the screen.

When the computer restarts, the factory settings are restored, and any identification information you have entered is saved.




Selecting from the File Menu

Table 2-1
File Menu

Select	To Do This
System Information	<ul style="list-style-type: none"> ■ View identification information about the tablet PC and any battery packs in the system. ■ View specification information about the processor, memory and cache size, video revision, keyboard controller version, and system ROM.
Save to floppy	Save system configuration settings to a diskette.
Restore from floppy	Restore system configuration settings from a diskette.
Restore defaults	Replace configuration settings in Computer Setup with factory default settings. (Identification information is retained.)
Ignore changes and exit	Cancel changes entered during the current session. Then exit and restart the notebook.
Save changes and exit	Save changes entered during the current session. Then exit and restart the notebook. The changes you save are in effect when the notebook restarts.

Selecting from the Security Menu

Table 2-2
Security Menu

Select	To Do This
Administrator password	Enter, change, or delete an HP Administrator password.
Power-on password	Enter, change, or delete a power-on password.
Password options	<ul style="list-style-type: none"> ■ Enable/Disable stringent security. ■ Enable/Disable required password on restart.
DriveLock passwords	<p>Enable/disable DriveLock; change a DriveLock user or master password.</p> <p> DriveLock Settings are accessible only when you enter Computer Setup by turning on (not restarting) the notebook.</p>
Smart Card Security	<p>Enable/disable power-on support for smart cards.</p> <p> This feature is supported by select smart card readers only.</p>
Embedded Security	<ul style="list-style-type: none"> ■ Enable/Disable the embedded security chip. ■ Restore embedded security chip to factory settings. ■ Enable/Disable power-on authentication support. ■ Enable/Disable automatic DriveLock. ■ Reset power-on authentication credential <p> Embedded Security settings are accessible only if the notebook is equipped with an embedded security chip.</p>
Device security	<p>Enable/Disable devices in the system.</p> <p>Enable NIC for inclusion in MultiBoot.</p>
System IDs	Enter user-defined identification values.

Selecting from the Tools Menu

Table 2-3
Tools Menu

Select	To Do This
HDD Self Test options	Run a quick or comprehensive self-test on any hard drive in the system.
Battery Information	View information about any battery packs in the notebook.
Memory Check	<ul style="list-style-type: none"> <li data-bbox="426 594 862 646">■ Run a self-test on memory modules in the notebook. <li data-bbox="426 659 889 711">■ View information about memory modules installed in the notebook.

Selecting from the Advanced Menu

Table 2-4
Advanced Menu

Select	To Do This
Language (or press f2)	Change the Computer Setup language.
Boot options	<ul style="list-style-type: none"> ■ Enable/Disable MultiBoot, which sets a startup sequence that can include most bootable devices and media in the system. ■ Set the boot order.
Device options	<ul style="list-style-type: none"> ■ Swap the functions of the fn key and left ctrl key. ■ Enable/Disable multiple pointing devices at startup. (To set the notebook to support only a single, usually nonstandard, pointing device at startup, select Disable.) ■ Enable/Disable USB legacy support for a USB keyboard, mouse, and hub. When USB legacy support is enabled <ul style="list-style-type: none"> <input type="checkbox"/> A USB keyboard, mouse, and hub work even when a Windows operating system is not loaded. <input type="checkbox"/> The notebook starts from a bootable hard drive, diskette drive diskette, or CD, CD-RW, or DVD inserted into a drive connected by a USB connector to the notebook or to an optional docking device. ■ Select a parallel port mode: EPP (Enhanced Parallel Port), standard, bidirectional, or ECP (Enhanced Capabilities Port). ■ Enable/Disable all settings in the SpeedStep window. (When Disable is selected, the tablet PC runs in Battery Optimized mode.)

2.2 Troubleshooting Flowcharts

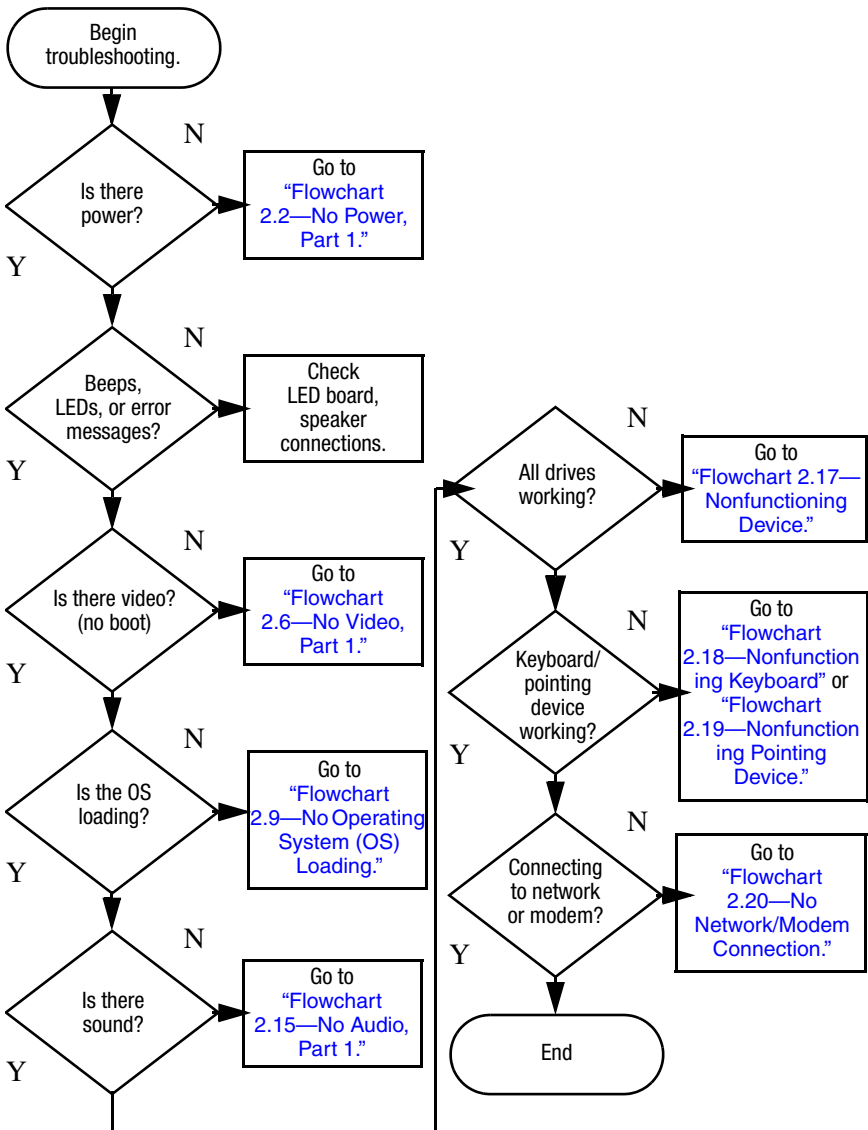
Table 2-5
Troubleshooting Flowcharts Overview

Flowchart	Description
2.1	"Flowchart 2.1—Initial Troubleshooting"
2.2	"Flowchart 2.2—No Power, Part 1"
2.3	"Flowchart 2.3—No Power, Part 2"
2.4	"Flowchart 2.4—No Power, Part 3"
2.5	"Flowchart 2.5—No Power, Part 4"
2.6	"Flowchart 2.6—No Video, Part 1"
2.7	"Flowchart 2.7—No Video, Part 2"
2.8	"Flowchart 2.8—Nonfunctioning Docking Device (if applicable)"
2.9	"Flowchart 2.9—No Operating System (OS) Loading"
2.10	"Flowchart 2.10—No OS Loading, Hard Drive, Part 1"
2.11	"Flowchart 2.11—No OS Loading, Hard Drive, Part 2"
2.12	"Flowchart 2.12—No OS Loading, Hard Drive, Part 3"
2.13	"Flowchart 2.13—No OS Loading, Diskette Drive"

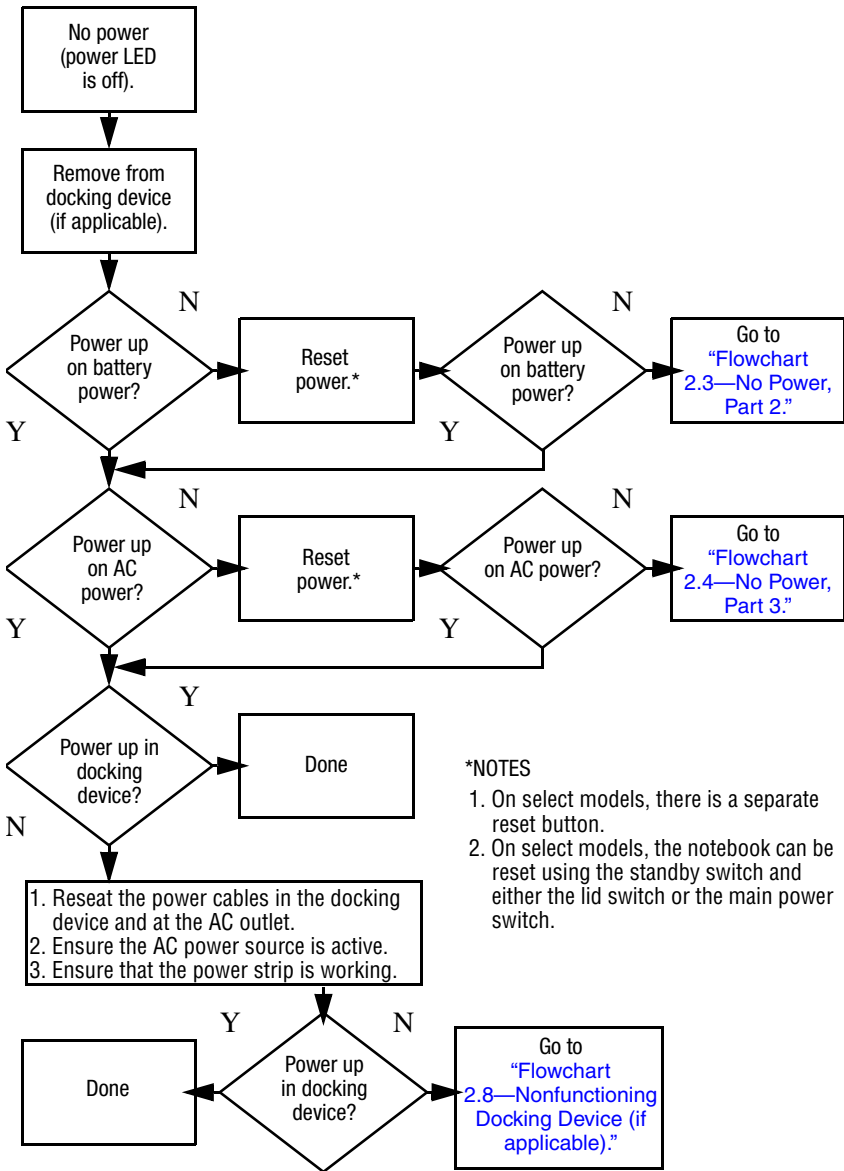
Table 2-5
Troubleshooting Flowcharts Overview (*Continued*)

Flowchart	Description
2.14	"Flowchart 2.14—No OS Loading, Optical Drive"
2.15	"Flowchart 2.15—No Audio, Part 1"
2.16	"Flowchart 2.16—No Audio, Part 2"
2.17	"Flowchart 2.17—Nonfunctioning Device"
2.18	"Flowchart 2.18—Nonfunctioning Keyboard"
2.19	"Flowchart 2.19—Nonfunctioning Pointing Device"
2.20	"Flowchart 2.20—No Network/Modem Connection"

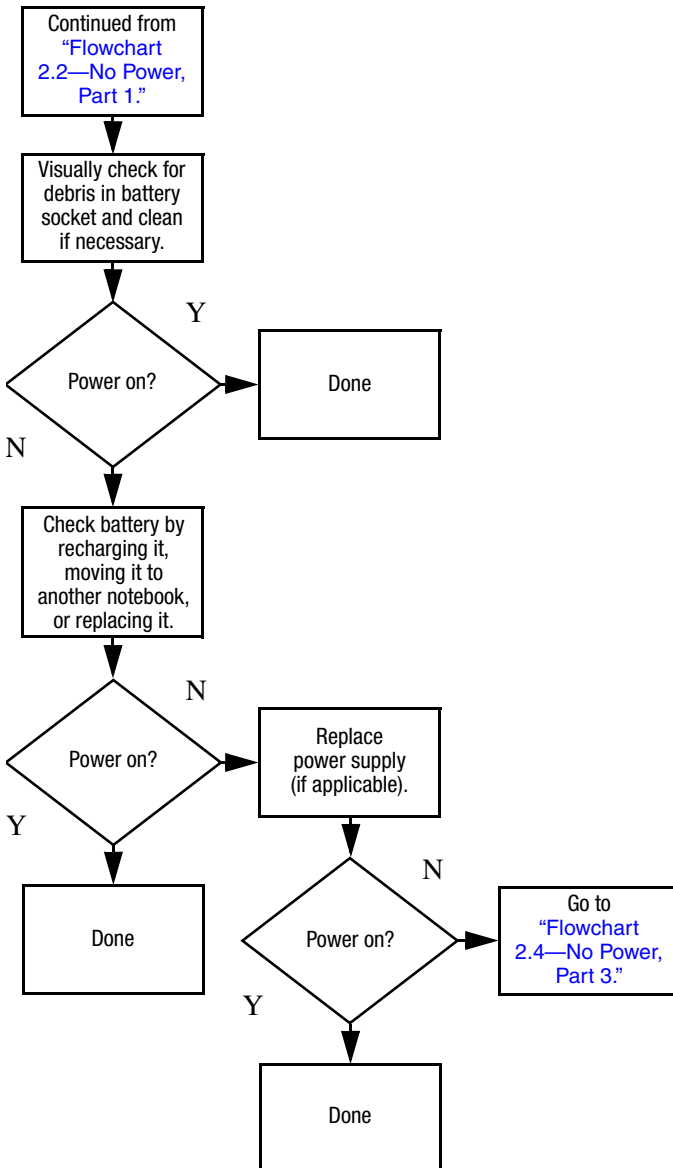
Flowchart 2.1 – Initial Troubleshooting



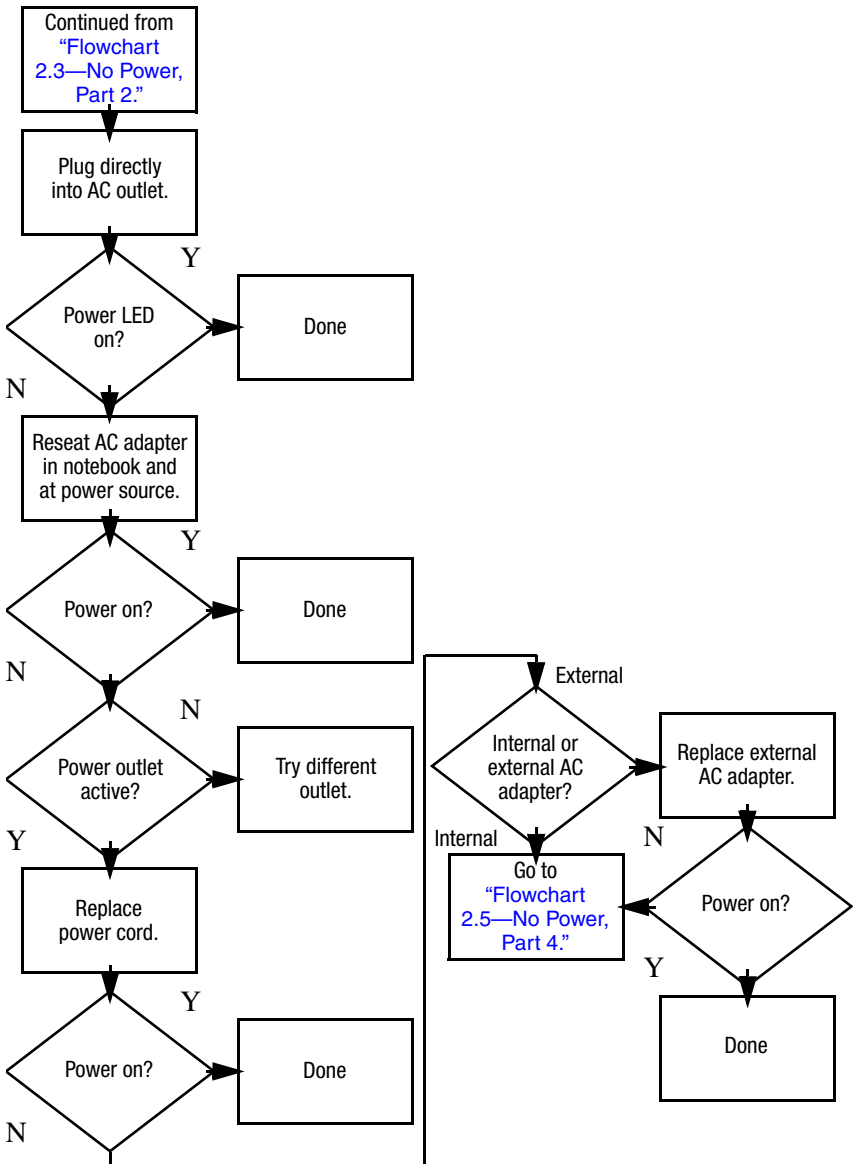
Flowchart 2.2—No Power, Part 1



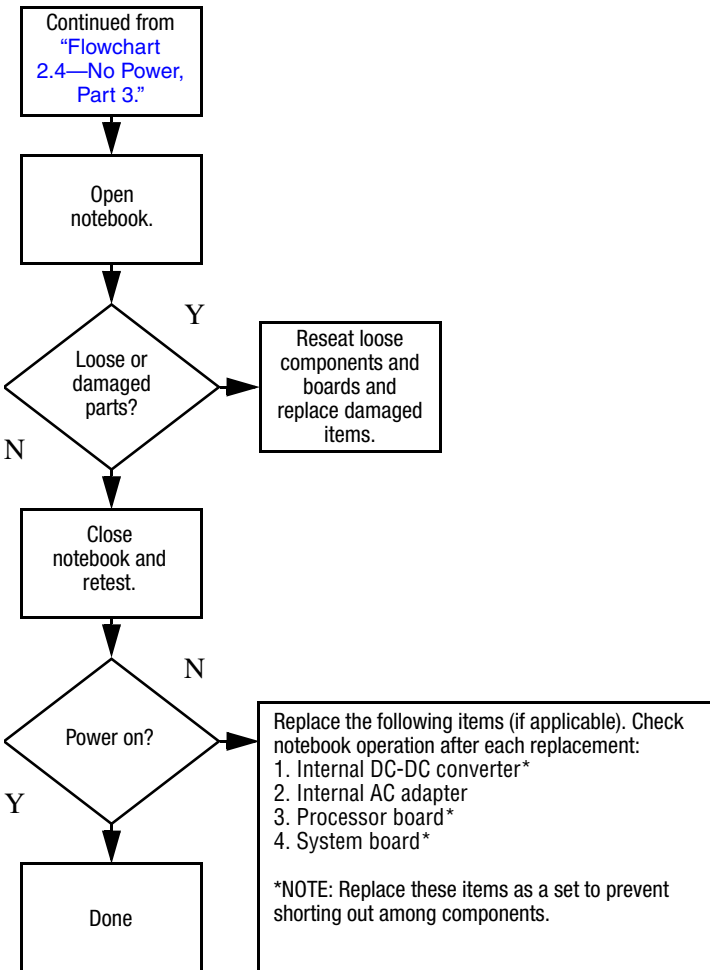
Flowchart 2.3—No Power, Part 2



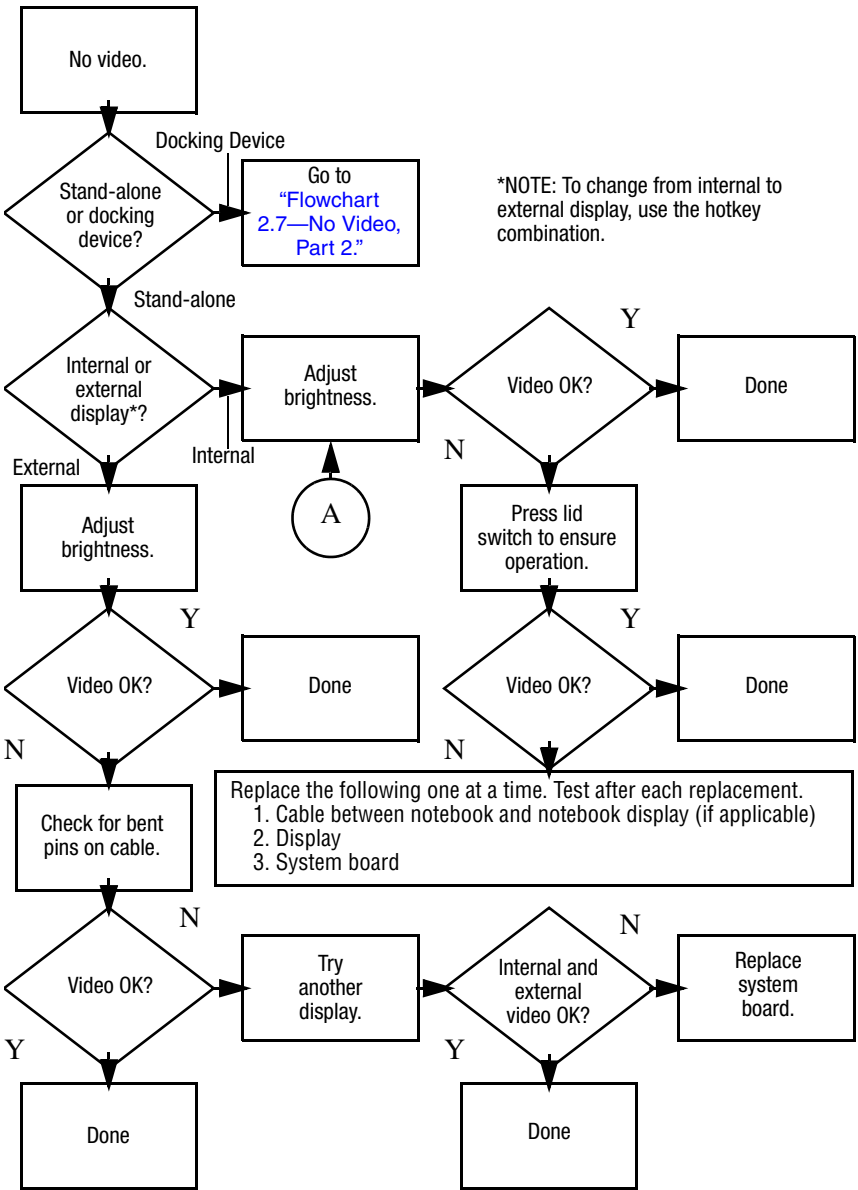
Flowchart 2.4—No Power, Part 3



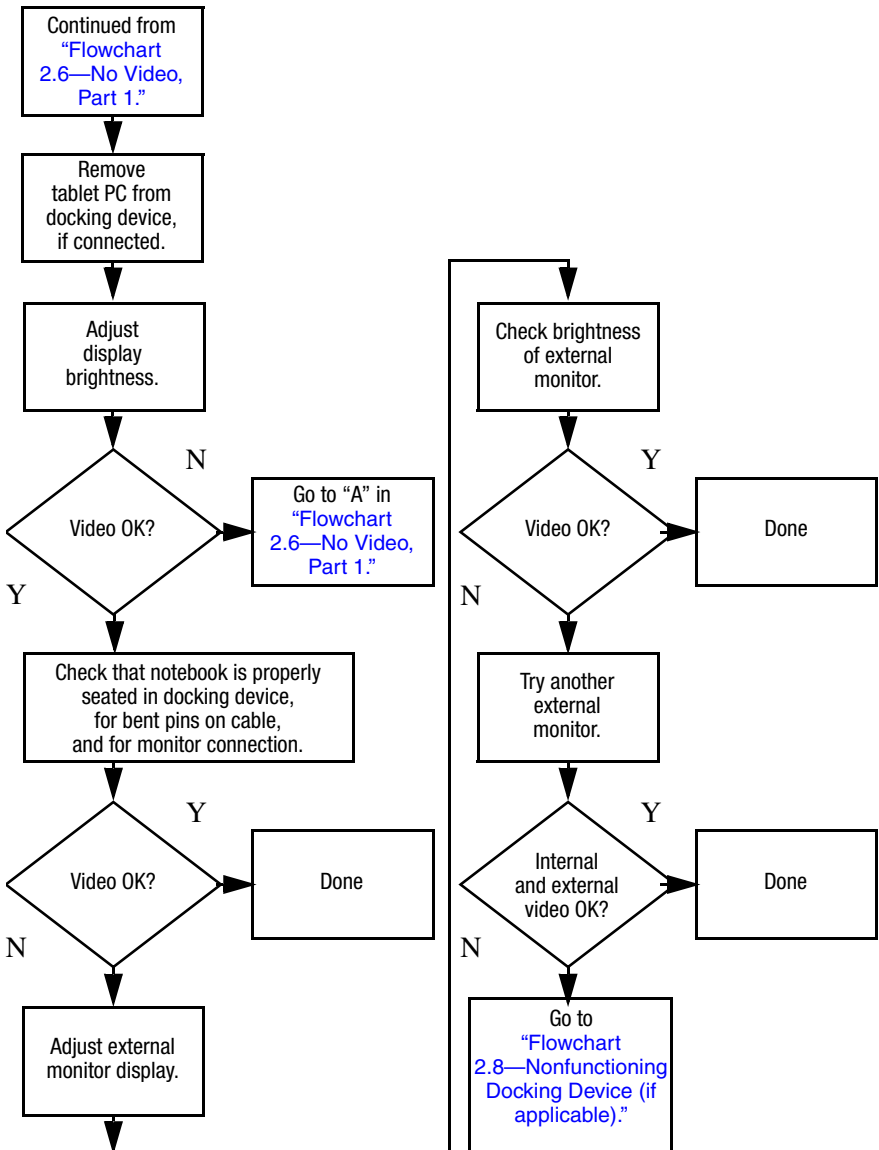
Flowchart 2.5—No Power, Part 4



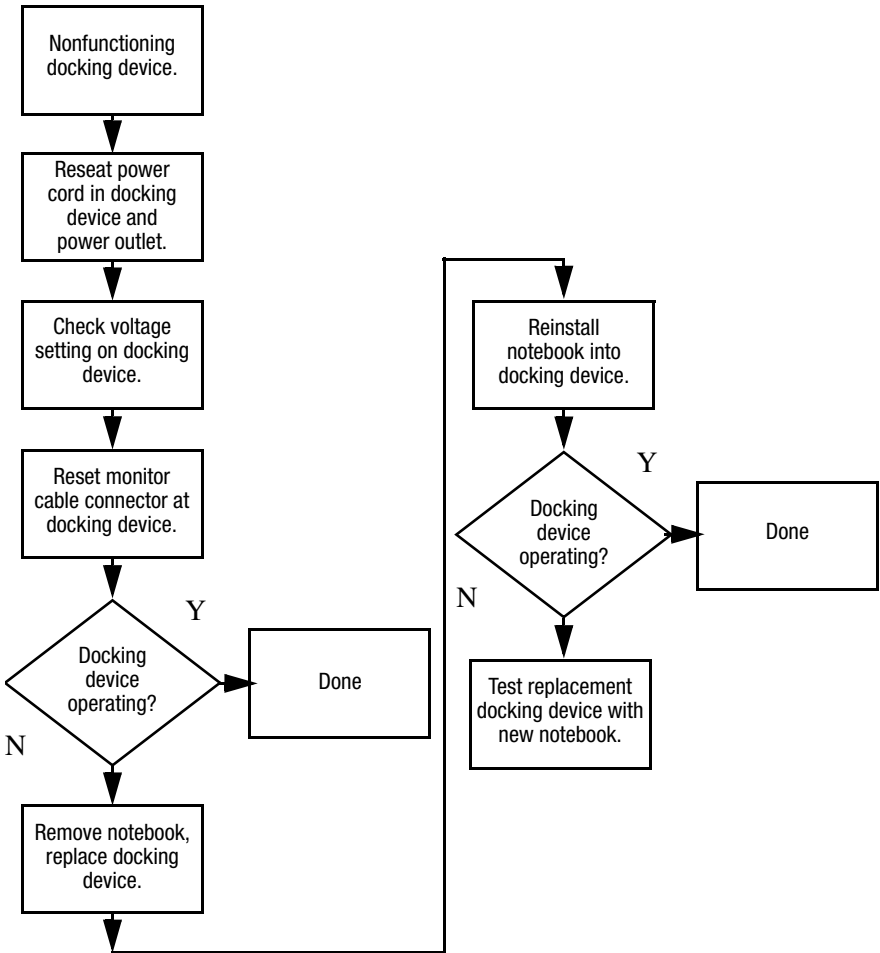
Flowchart 2.6—No Video, Part 1



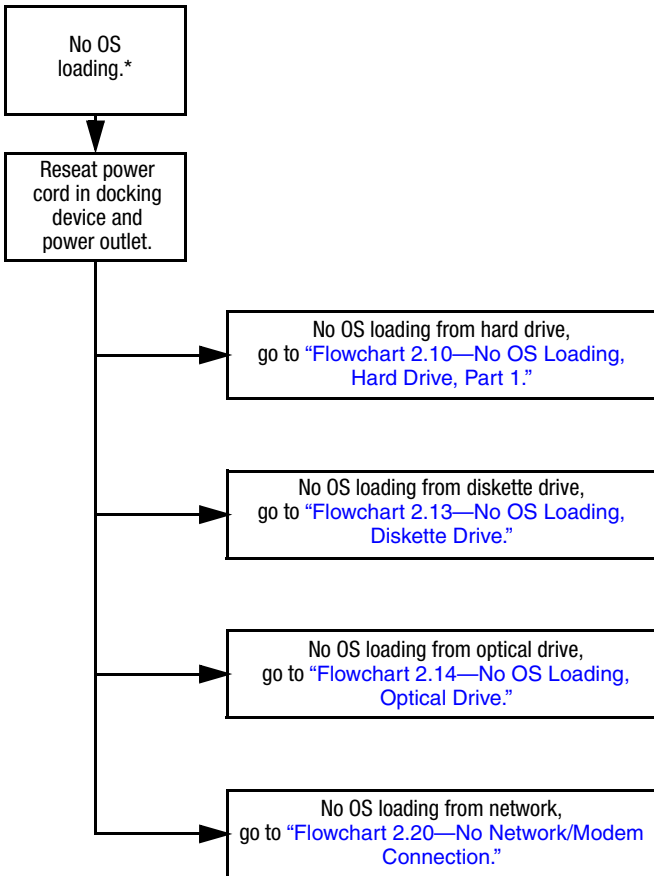
Flowchart 2.7—No Video, Part 2



Flowchart 2.8—Nonfunctioning Docking Device (if applicable)

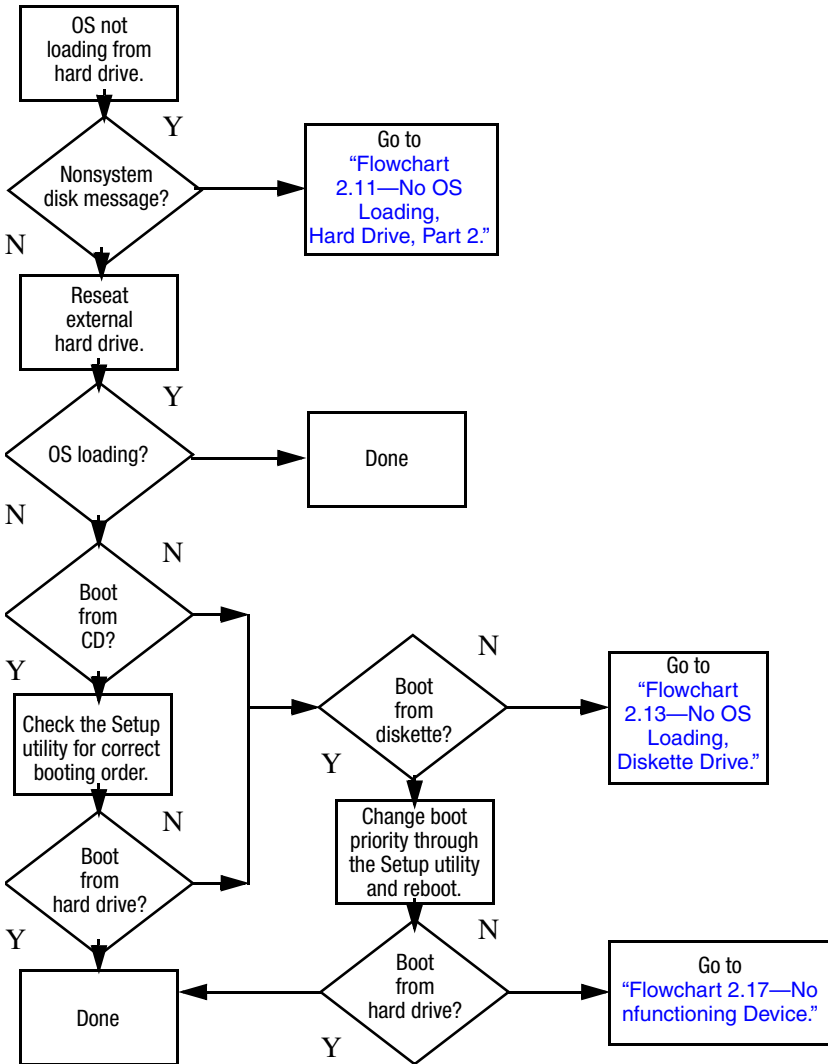


Flowchart 2.9—No Operating System (OS) Loading

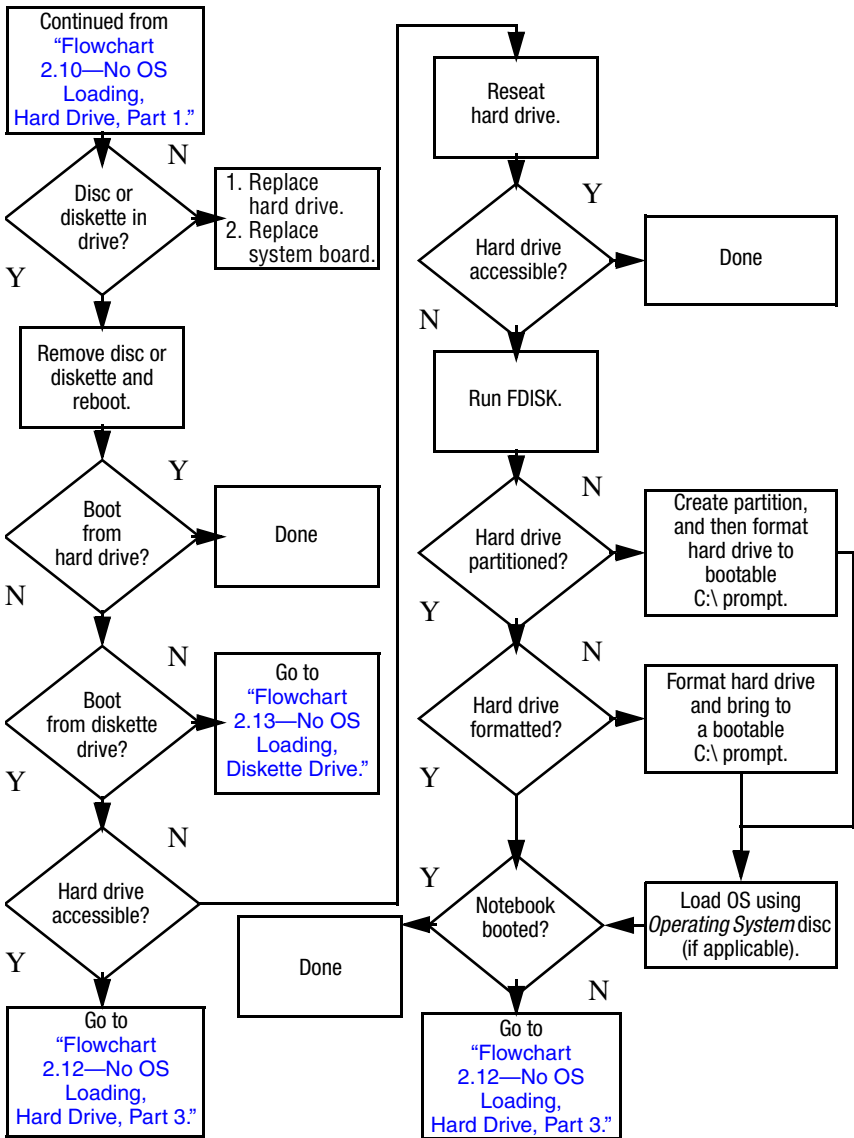


*NOTE: Before beginning troubleshooting, always check cable connections, cable ends, and drives for bent or damaged pins.

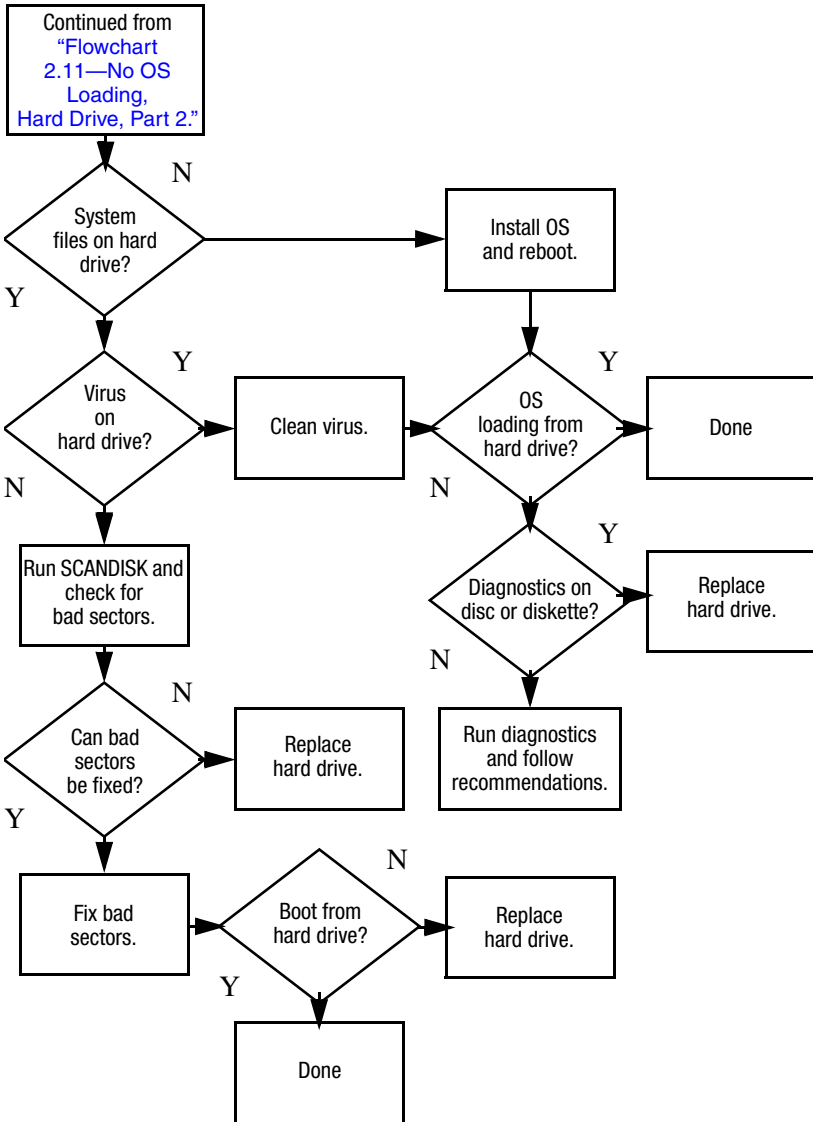
Flowchart 2.10—No OS Loading, Hard Drive, Part 1



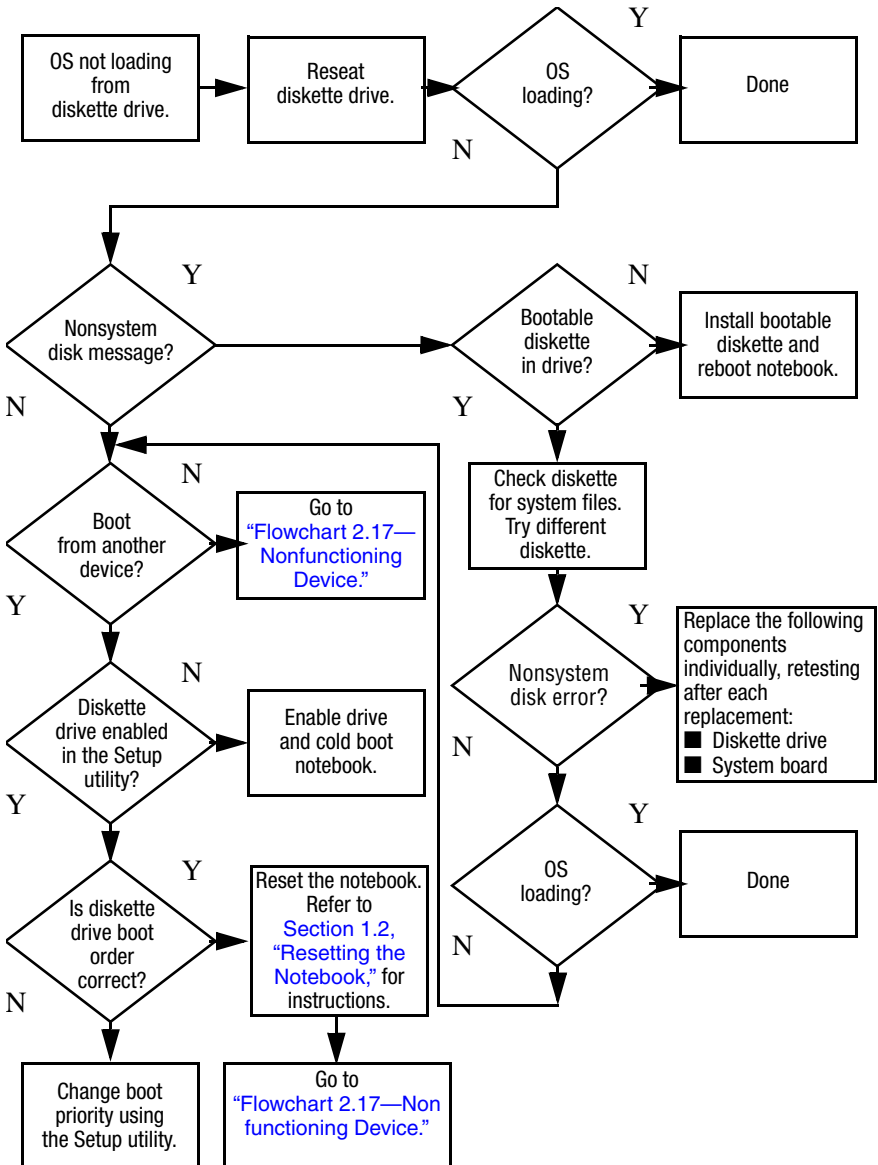
Flowchart 2.11 – No OS Loading, Hard Drive, Part 2



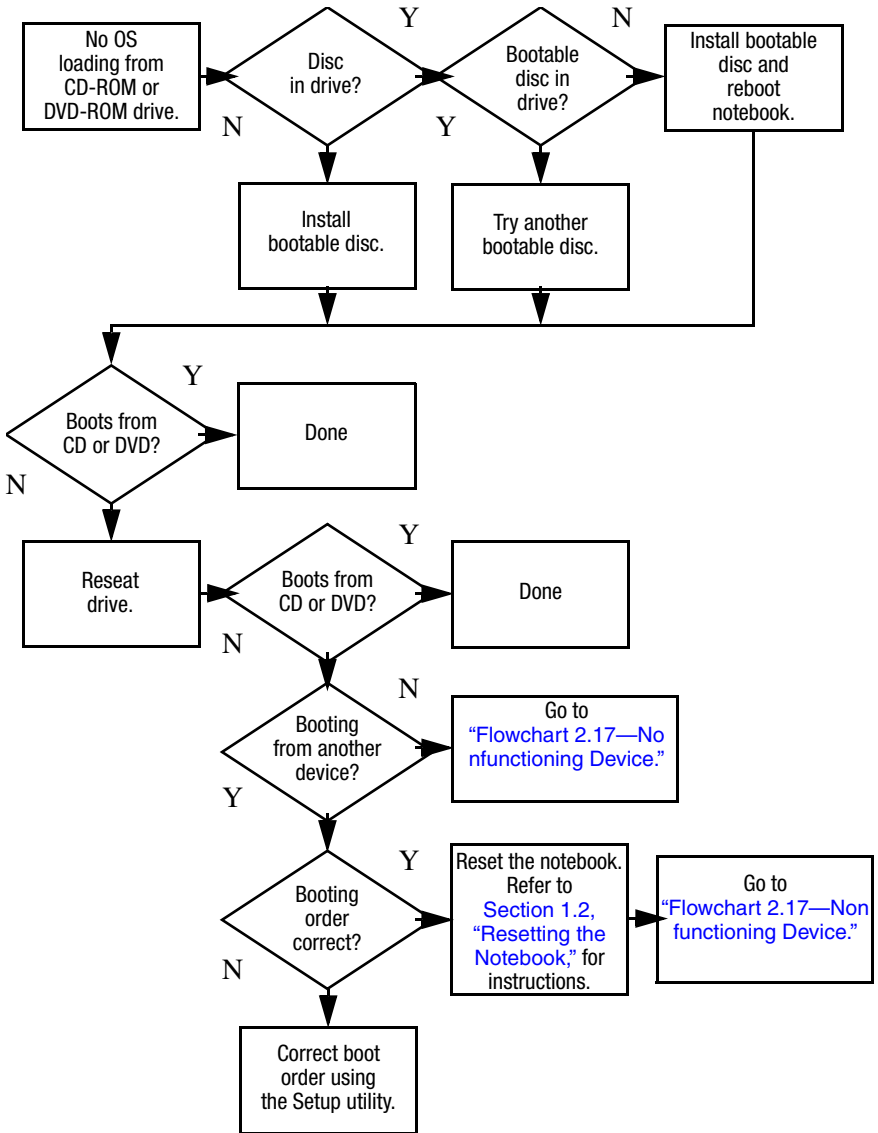
Flowchart 2.12—No OS Loading, Hard Drive, Part 3



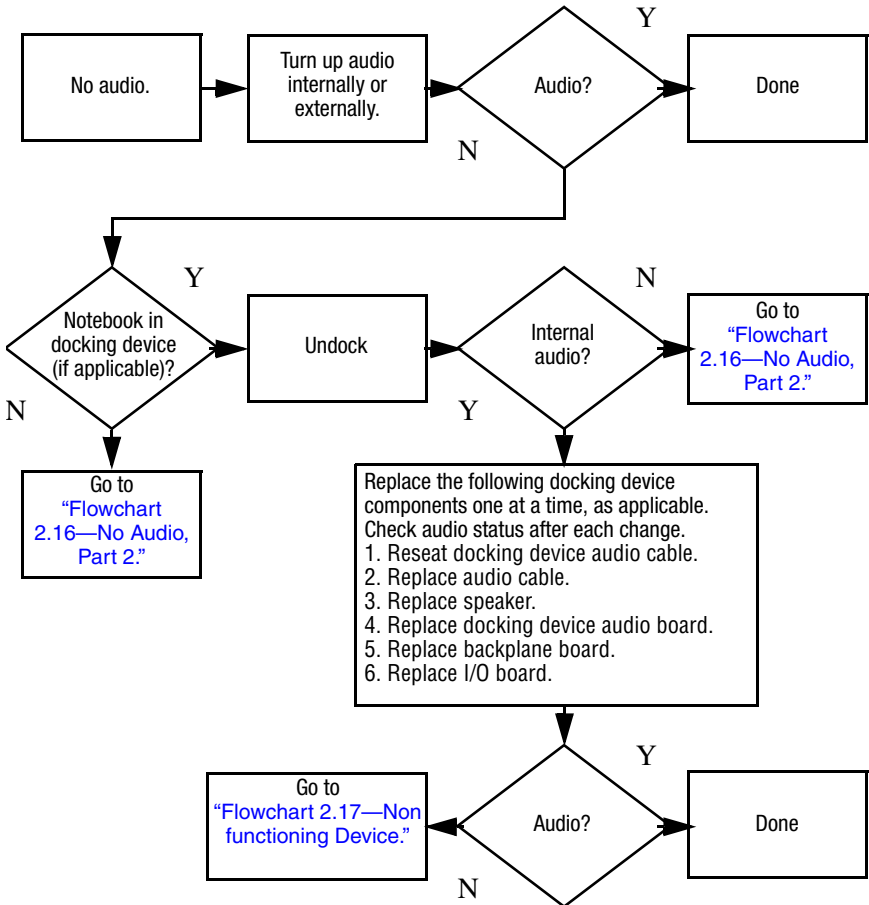
Flowchart 2.13—No OS Loading, Diskette Drive



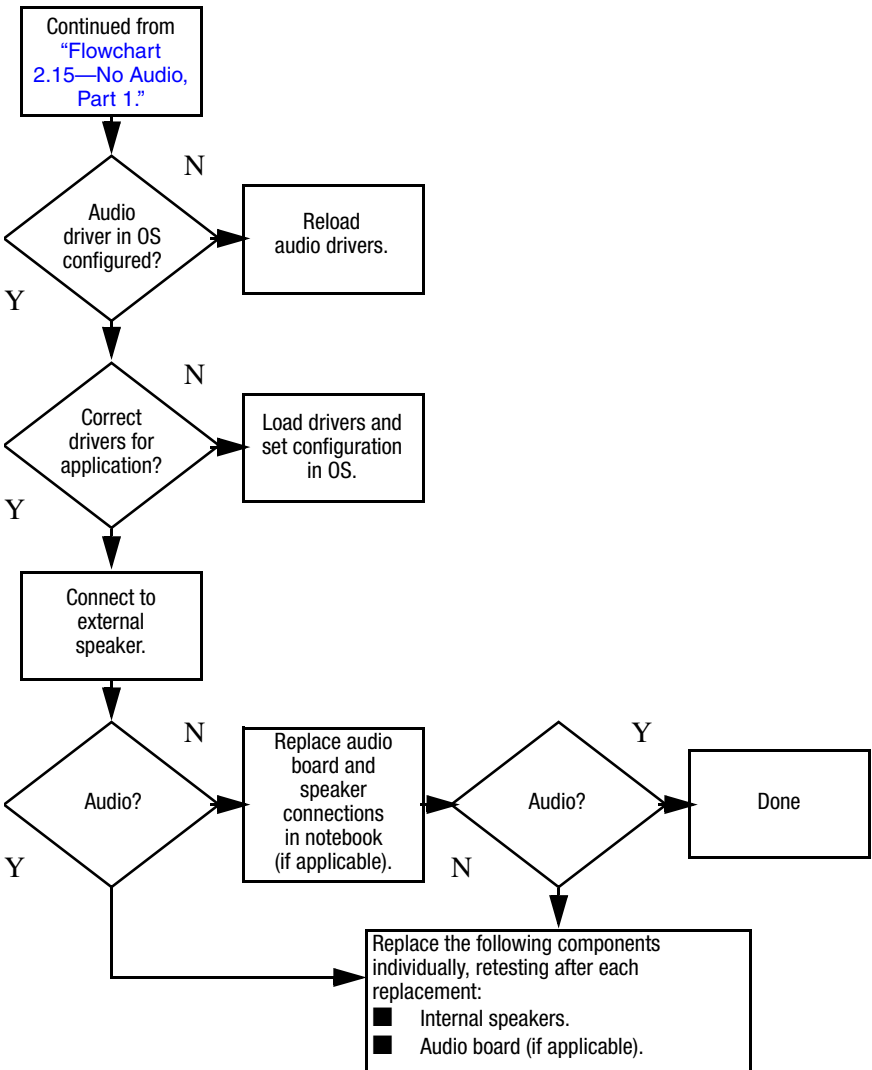
Flowchart 2.14—No OS Loading, Optical Drive



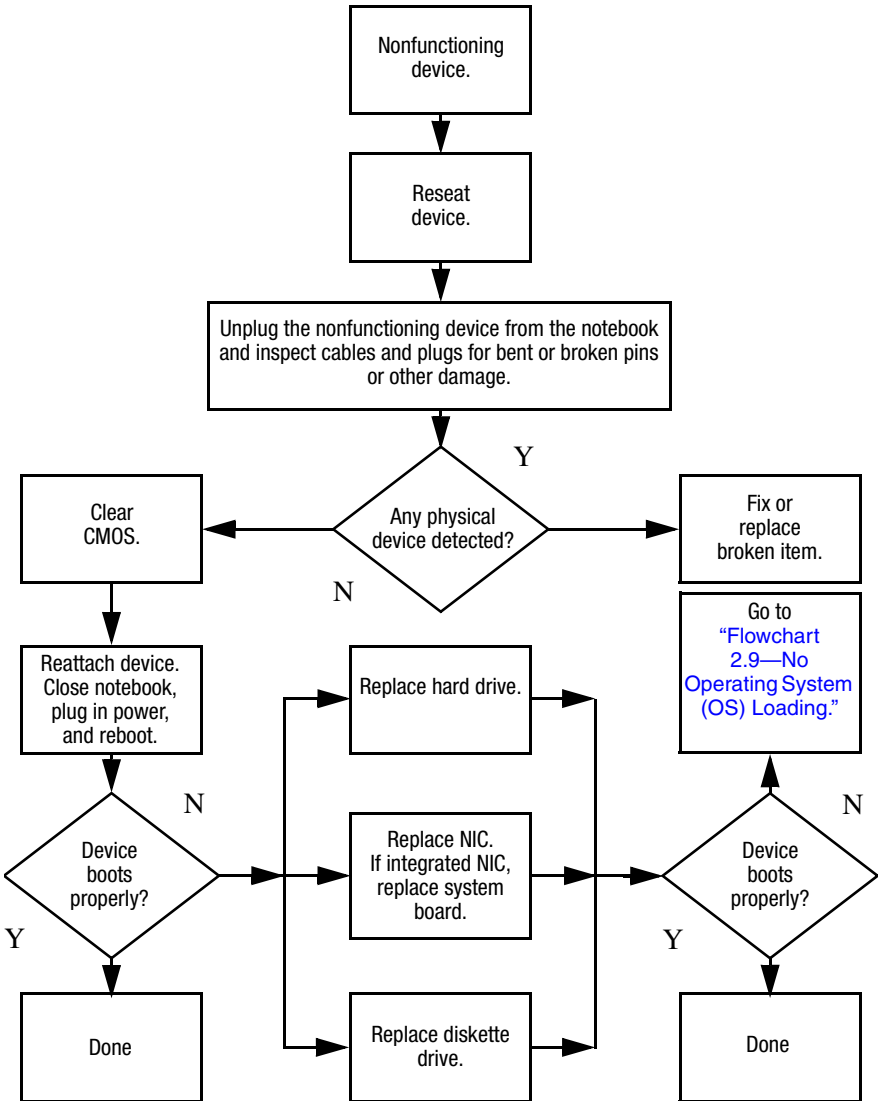
Flowchart 2.15—No Audio, Part 1



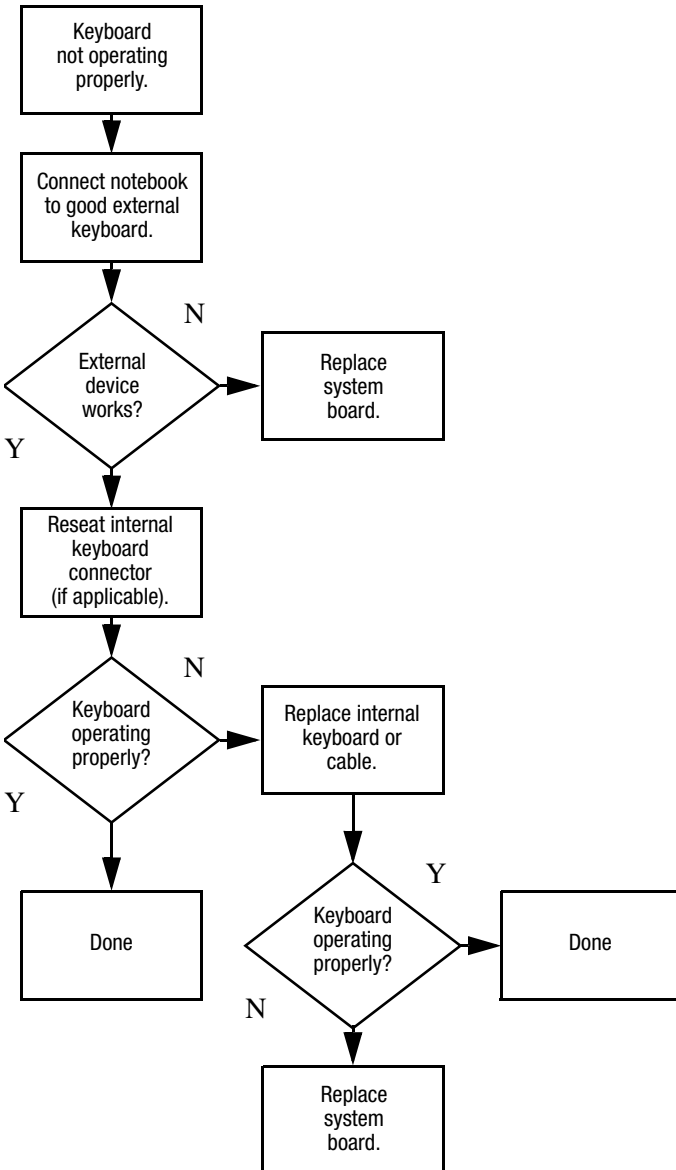
Flowchart 2.16—No Audio, Part 2



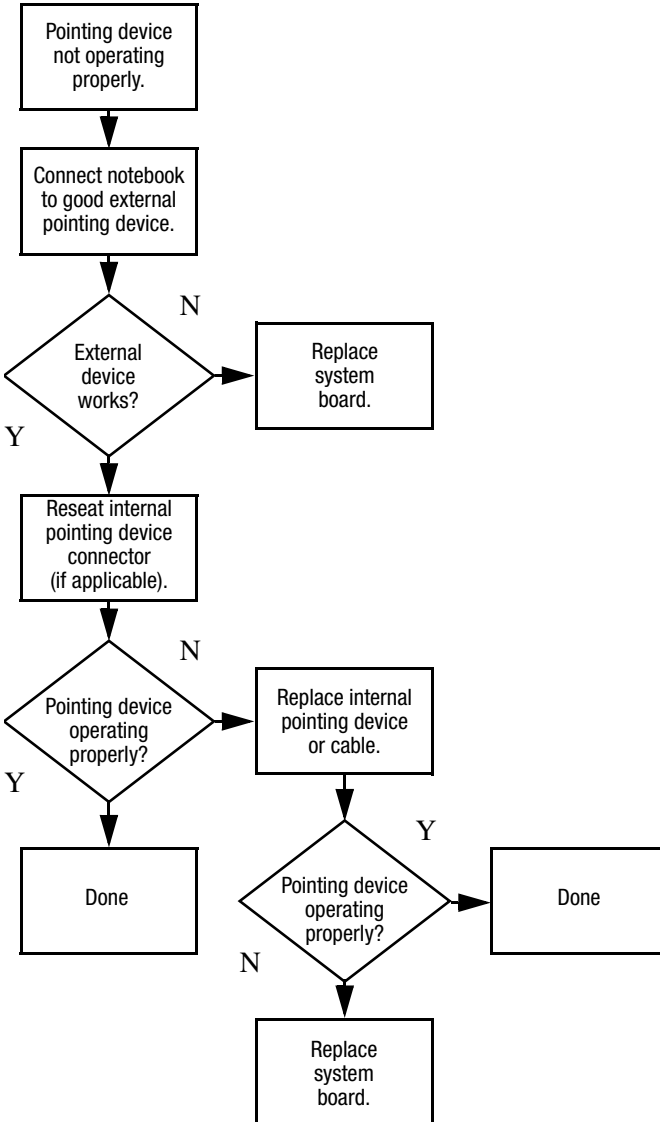
Flowchart 2.17—Nonfunctioning Device



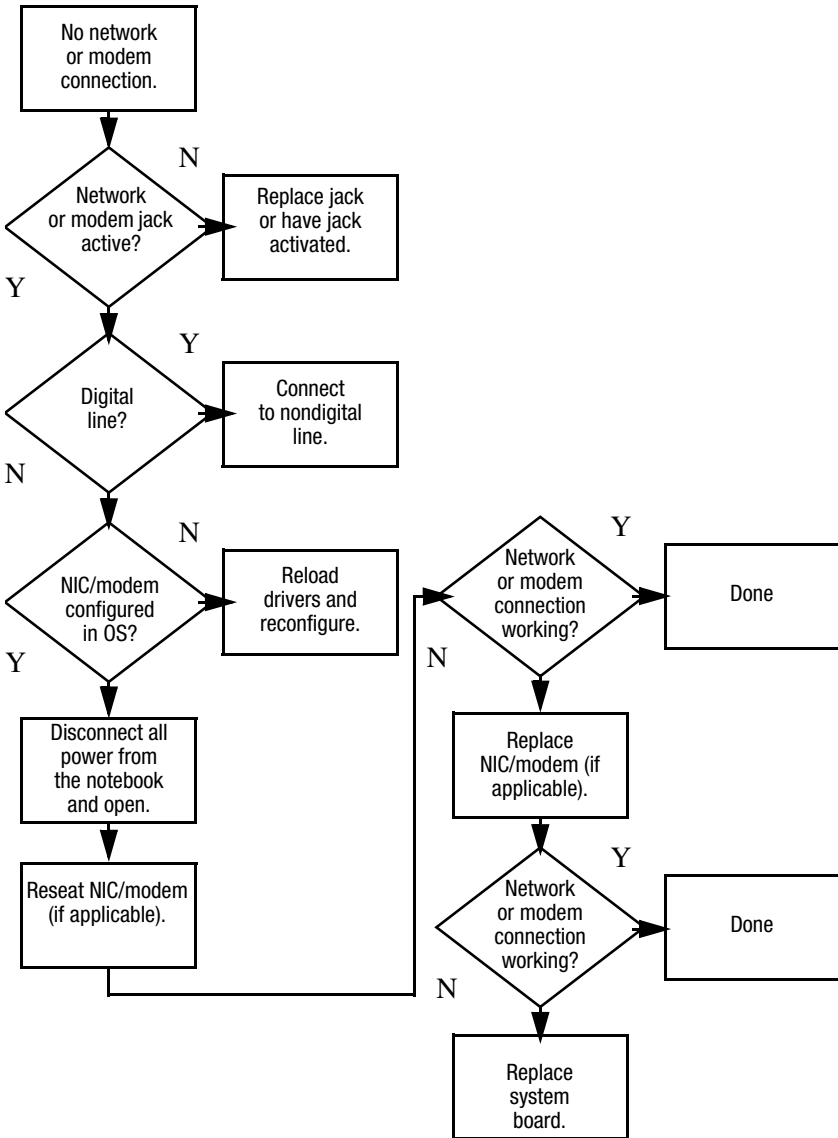
Flowchart 2.18—Nonfunctioning Keyboard



Flowchart 2.19—Nonfunctioning Pointing Device



Flowchart 2.20—No Network/Modem Connection



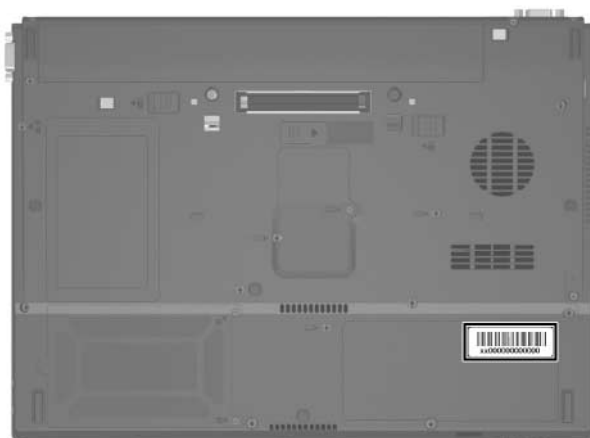
3

Illustrated Parts Catalog

This chapter provides an illustrated parts breakdown and a reference for spare part numbers.

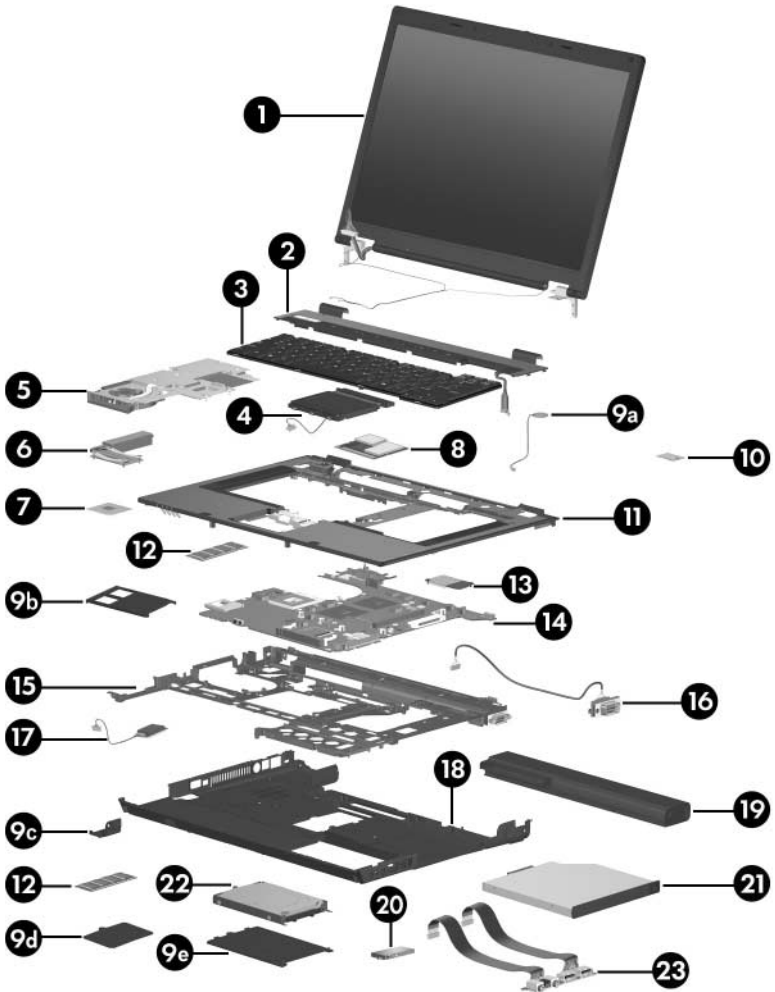
3.1 Serial Number Location

When ordering parts or requesting information, provide the notebook serial number and model number located on the bottom of the notebook.



Serial Number Location

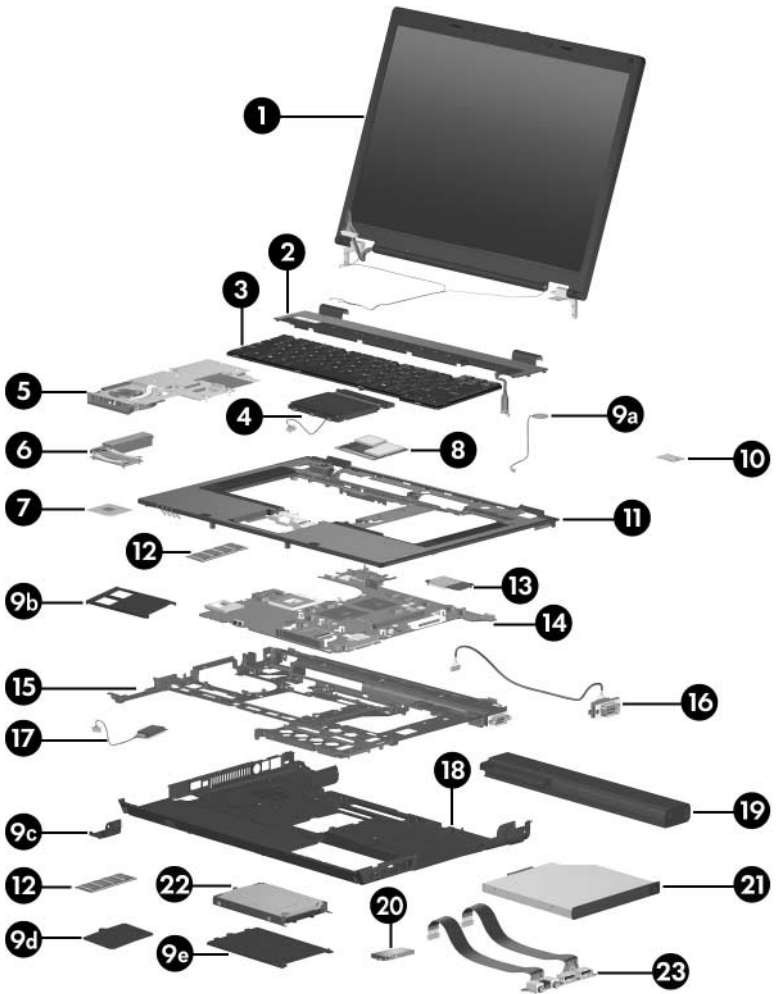
3.2 Notebook Major Components



Notebook Major Components

Table 3-1
Spare Parts: Notebook Major Components

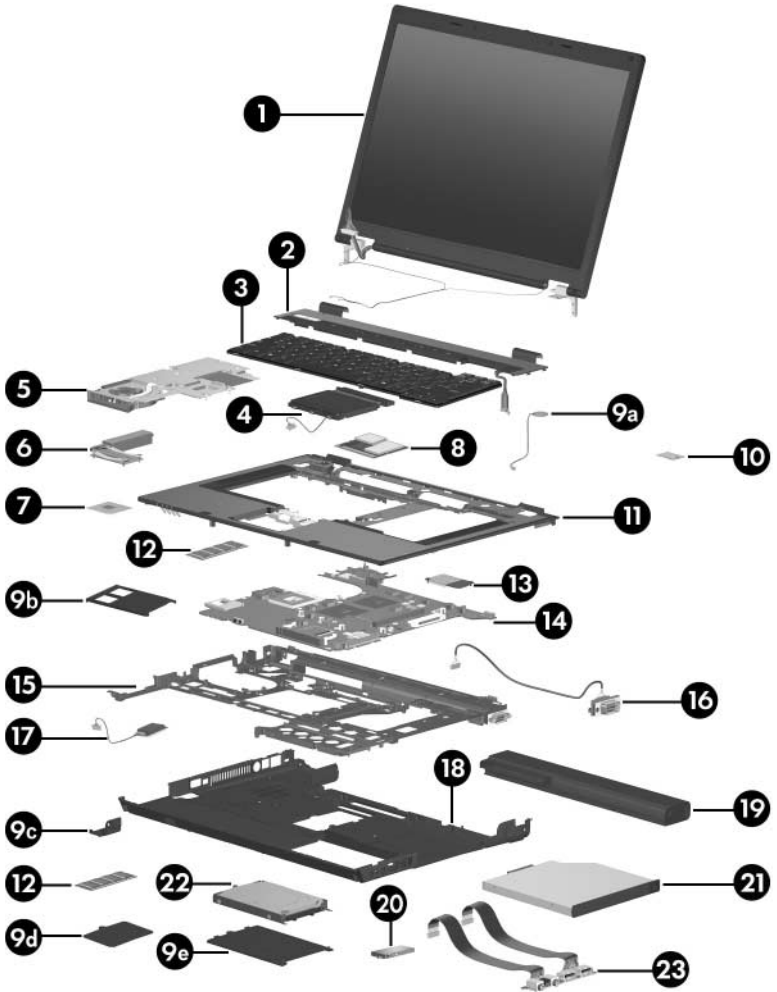
Item	Description	Spare Part Number		
1	Display assemblies (include wireless antenna boards and cables)			
	15.4-inch, WSXGA, TFT	382684-001		
	15.4-inch, WXGA, TFT	382682-001		
	15.4-inch, UXGA, TFT	382683-001		
2	Switch covers (include LED board and LED board cable)			
	For use only with HP Compaq nw8240 and nc8230 models	382680-001		
	For use only with HP Compaq nx8220 models	384133-001		
3	Keyboards, with pointing stick			
	Belgium	378203-181	Latin America	378203-161
	Brazil	378203-201	Norway	378203-091
	Czech Republic	378203-221	Portugal	378203-131
	Denmark	378203-081	Russia	378203-251
	France	378203-051	Saudi Arabia	378203-171
	French Canada	378203-121	Slovakia	378203-231
	Germany	378203-041	Slovenia	378203-BA1
	Greece	378203-151	Spain	378203-071
	Hungary	378203-211	Sweden	378203-101
	Iceland	378203-DD1	Switzerland	378203-111
	International	378203-002	Taiwan	378203-AB1
	Israel	378203-BB1	Thailand	378203-281
	Italy	378203-061	Turkey	378203-141
	Japan	378203-291	United Kingdom	378203-031
	Korea	378203-AD1	United States	378203-001



Notebook Major Components

Table 3-1**Spare Parts: Notebook Major Components (Continued)**

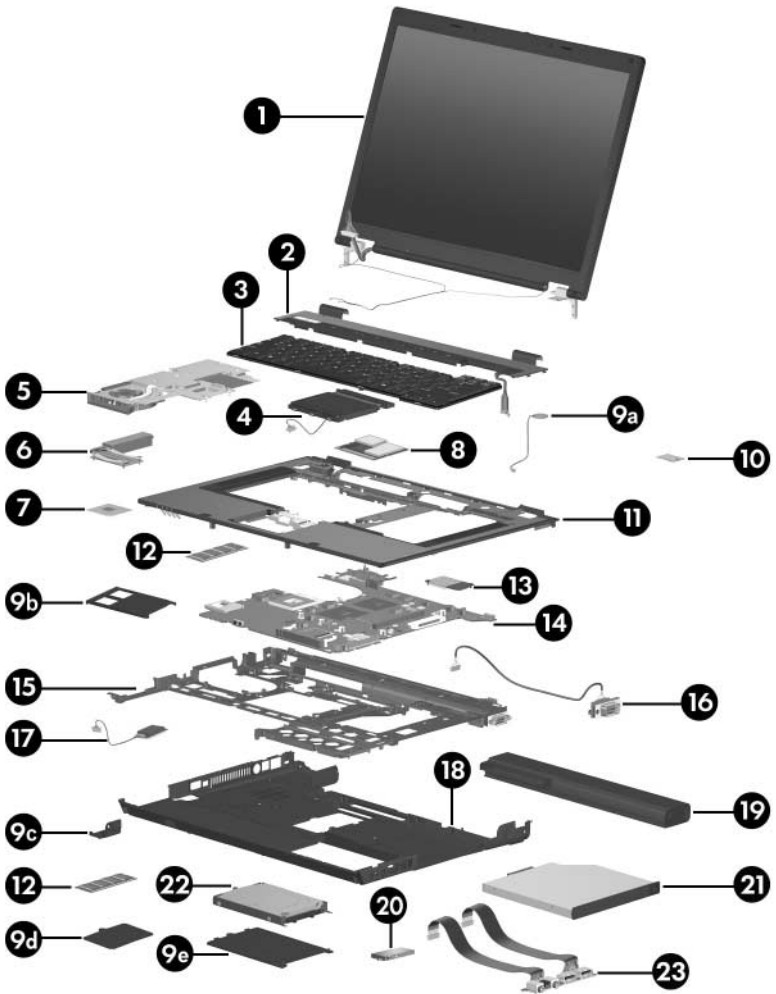
Item	Description	Spare Part Number
3	Keyboards, without pointing stick	
	Belgium	385548-181
	Brazil	385548-201
	Czech Republic	385548-221
	Denmark	385548-081
	France	385548-051
	French Canada	385548-121
	Germany	385548-041
	Greece	385548-151
	Hungary	385548-211
	Iceland	385548-DD1
	International	385548-002
	Israel	385548-BB1
	Italy	385548-061
	Japan	385548-291
	Korea	385548-AD1
	Latin America	385548-161
	Norway	385548-091
	Portugal	385548-131
	Russia	385548-251
	Saudi Arabia	385548-171
	Slovakia	385548-231
	Slovenia	385548-BA1
	Spain	385548-071
	Sweden	385548-101
	Switzerland	385548-111
	Taiwan	385548-AB1
	Thailand	385548-281
	Turkey	385548-141
	United Kingdom	385548-031
	United States	385548-001
4	TouchPads (include TouchPad cable)	
	With TouchPad buttons and pointing stick buttons	382675-001
	With TouchPad buttons	382676-001
5	Thermal plate (includes fan and thermal paste)	382674-001
6	Heat sink (includes thermal paste)	379799-001
7	Processors (include thermal paste)	
	Intel Pentium M 770 (2.13-GHz)	378224-001
	Intel Pentium M 760 (2.00-GHz)	378223-001
	Intel Pentium M 750 (1.86-GHz)	378222-001
	Intel Pentium M 740 (1.73-GHz)	378221-001
	Intel Pentium M 730 (1.60-GHz)	378220-001



Notebook Major Components

Table 3-1**Spare Parts: Notebook Major Components (Continued)**

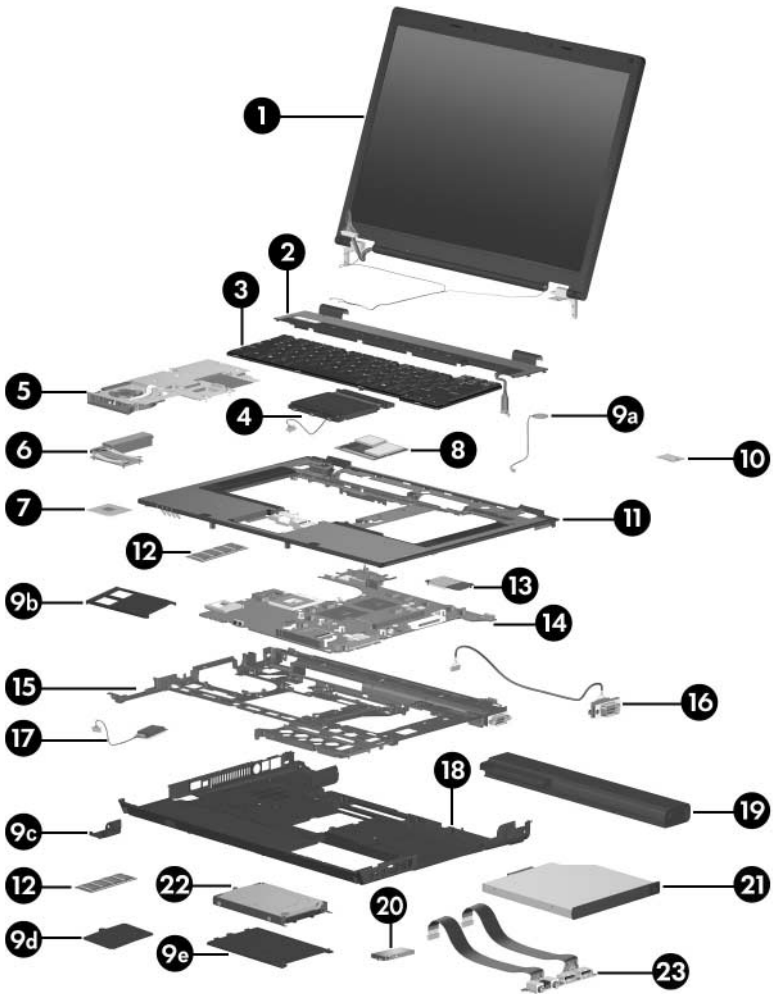
Item	Description	Spare Part Number
8	Mini PCI communications cards	
	802.11b/g Mini PCI modem, for use in most of the world	381582-001
	802.11b/g Mini PCI modem, for use in the rest of the world	381583-001
	802.11b/g combination wireless local access network (WLAN) card, for use internationally	373032-002
	802.11b/g combination WLAN card, for use in Japan	373032-291
	802.11b/g combination WLAN card, for use in the United States	373032-001
	802.11a/b/g combination WLAN communications card, for use internationally	373033-002
	802.11a/b/g combination WLAN communications card, for use in Japan	373033-291
	802.11a/b/g combination WLAN communications card, for use in the United States	373033-001
	802.11a/b/g Mini PCI WLAN communications card, for use in Europe, the Middle East, and Africa	373900-021
	802.11a/b/g Mini PCI WLAN communications card, for use in Japan	373900-291
	802.11a/b/g Mini PCI WLAN communications card, for use in most of the world	373900-001
	802.11a/b/g Mini PCI WLAN communications card, for use in the rest of the world	373901-001



Notebook Major Components

Table 3-1**Spare Parts: Notebook Major Components (Continued)**

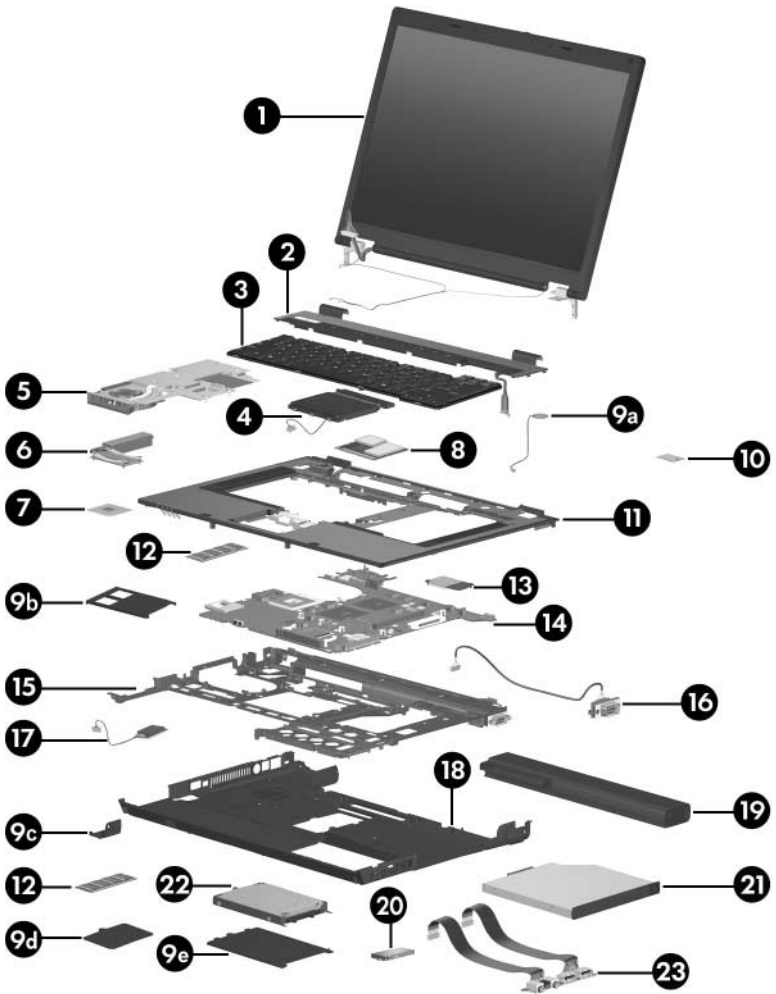
Item	Description	Spare Part Number
	Miscellaneous Plastics Kit	382691-001
	Includes:	
9a	RTC battery	
9b	PC Card slot space savers (2)	
9c	Bluetooth cover (includes 1 captive screw)	
9d	Memory module compartment cover (includes 1 captive screw)	
9e	Hard drive cover (includes 2 captive screws)	
	Not illustrated:	
	Notebook feet	
10	TPM security card	379807-001
11	Top covers (include speakers)	
	For use only with HP Compaq nw8240 models	382679-001
	For use only with HP Compaq nc8230 and nx8220 models	382678-001
12	Memory modules	
	DDR2, PC2-4200, CL3, 533 MHz	
	1024 MB	373121-001
	512 MB	373120-001
	256 MB	373119-001
	DDR2, PC2-3200, CL3, 400 MHz	
	1024 MB	391021-001
	512 MB	391020-001
	256 MB	391019-001
13	Modem board (high-speed 56K)	325521-001



Notebook Major Components

Table 3-1**Spare Parts: Notebook Major Components (Continued)**

Item	Description	Spare Part Number
14	System boards	
	With 128-MB video memory, for use only with HP Compaq nw8240 models	382686-001
	With 128-MB video memory, for use only with HP Compaq nc8320 and nx8220 models	382687-001
	With 64-MB video memory, for use only with HP Compaq nc8230 and nx8220 models	382688-001
15	System board frame (includes RJ-11 connector module and cable)	382689-001
16	Serial connector module (includes serial connector module cable)	382690-001
17	Broadcomm Bluetooth wireless board (includes Bluetooth board cable)	367871-001
18	Base enclosures	
	For use only with HP Compaq nw8240 models	384132-001
	For use only with HP Compaq and nc8230 and nx8220 models	382681-001



Notebook Major Components

Table 3-1**Spare Parts: Notebook Major Components (Continued)**

Item	Description	Spare Part Number
19	Battery packs	
	8-cell, 4.8-AHr	372771-001
	8-cell, travel battery	367456-001
20	Push button module	382693-001
21	MultiBay II devices	
	8X Max DVD-ROM drive	373314-001
	DVD+RW/R and CD-RW Combo Drive	375557-001
	DVD/CD-RW Combo Drive	373315-001
22	Hard drives (include frame and connector)	
	7200-rpm	5400-rpm
	60-GB	380950-001
		80-GB
		60-GB
		40-GB
23	Audio board (includes audio board cable and USB board cable)	382677-001

3.3 Miscellaneous Plastics Kit

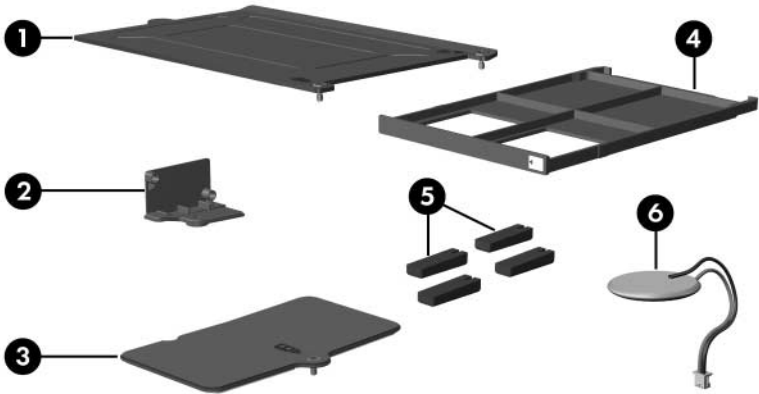


Table 3-2

Spare Part Number 382691-001

Item	Description
1	Hard drive cover (includes 2 captive screws)
2	Bluetooth cover (includes 1 captive screw)
3	Memory module compartment cover (includes 1 captive screw)
4	PC Card slot space saver
5	Notebook feet (4)
6	RTC battery

3.4 Miscellaneous Cable Kit

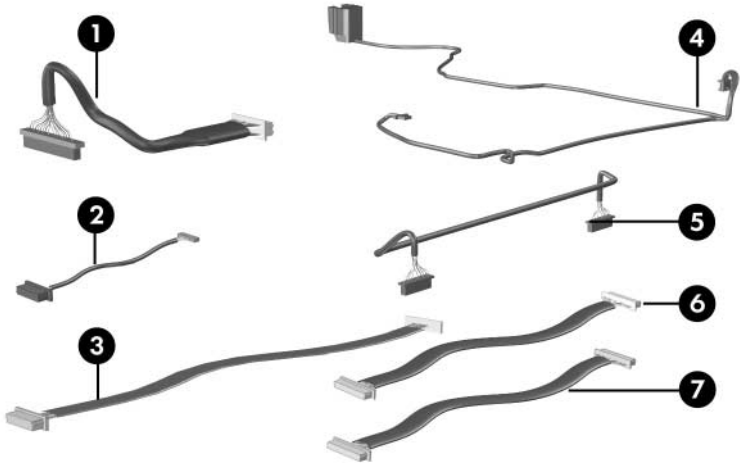


Table 3-3

Spare Part Number 389014-001

Item	Description
1	LED board cable
2	Bluetooth cable
3	TouchPad cable
4	RJ-11 connector module and cable
5	Serial connector board cable
6	Audio board cable
7	USB board cable

3.5 Mass Storage Devices



Table 3-4
Spare Part Number Information

Item	Description	Spare Part Number
1	Hard drives (include frame and connector)	
	7200-rpm	5400-rpm
	60-GB	380950-001
		80-GB
		60-GB
		40-GB
		379810-001
		379809-001
		379808-001
2	Optical drives (include bezel)	
	8X Max DVD-ROM drive	373314-001
	DVD+RW/R and CD-RW Combo Drive	375557-001
	DVD/CD-RW Combo Drive	373315-001

3.6 Miscellaneous (Not Illustrated)

Table 3-5
Spare Part Information

Description	Spare Part Number
Adjustable notebook stand	372420-001
Advanced Docking Station	374804-001
Docking Station	374803-001
Docking Station Miscellaneous Plastics Kit	380045-001
Carrying cases	
Nylon top load	325815-001 and 325815-002
Nylon entry level	325814-001
USB 1.1 diskette drive	359118-001

Table 3-5
Spare Part Information (Continued)

Description	Spare Part Number
Power supply , 90 watt, slim line profile	374791-001
Power cords	
For use in:	
Australia and New Zealand	246959-011
Belgium, Europe, Finland, France, Germany, Greece, the Netherlands, Norway, Portugal, Spain, and Sweden	246959-021
Brazil	246959-201
Canada, French Canada, Latin America, Taiwan, Thailand, and the United States	246959-001
Denmark	246959-081
Hong Kong and the United Kingdom	246959-031
Israel	246959-BB1
Italy	246959-061
Japan	246959-291
Korea	246959-AD1
Sweden	246959-AG1

Table 3-5
Spare Part Information (Continued)

Description	Spare Part Number
Screw Kit (includes the following screws; refer to Appendix C, "Screw Listing," for more information on specifications and usage)	382692-001
■ Hex socket HM5.0×12.0 screw lock	■ Phillips PM2.0×5.0 screw
■ Phillips PM3.0×5.0 screw	■ Phillips PM2.0×4.0 screw
■ Phillips PM3.0×4.0 screw	■ Phillips PM2.0×2.0 screw
■ Phillips PM2.5×13.0 spring-loaded screw	■ Phillips PM1.5×4.0 screw
■ Phillips PM2.0×10.0 spring-loaded screw	■ Phillips PM1.5×3.0 screw
■ Phillips PM2.0×8.0 shoulder screw	■ Torx 8 M2.0×9.5 screw
■ Phillips PM2.0×6.0 screw	■ Torx 8 M2.0×6.0 screw
	■ Torx 8 M2.0×4.0 screw

3.7 Sequential Part Number Listing

Table 3-6
Sequential Part Number Listing

Spare Part Number	Description
246959-001	Power cord for use in Canada, French Canada, Latin America, Taiwan, Thailand, and the United States
246959-011	Power cord for use in Australia and New Zealand
246959-021	Power cord for use in Belgium, Europe, Finland, France, Germany, Greece, the Netherlands, Norway, Portugal, Spain, and Sweden
246959-031	Power cord for use in Hong Kong and the United Kingdom

Table 3-6
Sequential Part Number Listing (*Continued*)

Spare Part Number	Description
246959-061	Power cord for use in Italy
246959-081	Power cord for use in Denmark
246959-201	Power cord for use in Brazil
246959-291	Power cord for use in Japan
246959-AD1	Power cord for use in Korea
246959-AG1	Power cord for use in Sweden
246959-BB1	Power cord for use in Israel
325521-001	Modem board (high-speed 56K)
325814-001	Nylon entry level carrying case
325815-001	Nylon top load carrying case
325815-002	Nylon top load carrying case
359118-001	USB 1.1 diskette drive
367456-001	8-cell travel battery pack
367871-001	Broadcomm Bluetooth wireless board, includes cable
372420-001	Adjustable notebook stand
372771-001	8-cell, 4.8-AHr battery pack
373032-001	802.11b/g combination WLAN Mini PCI communications card for use in the United States
373032-002	802.11b/g combination WLAN Mini PCI communications card for use internationally
373032-291	802.11b/g combination WLAN Mini PCI communications card for use in Japan
373033-001	802.11a/b/g combination WLAN card Mini PCI communications card for use in the United States

Table 3-6
Sequential Part Number Listing (*Continued*)

Spare Part Number	Description
373033-002	802.11a/b/g combination WLAN Mini PCI communications card for use internationally
373033-291	802.11a/b/g combination WLAN Mini PCI communications card for use in Japan
373119-001	256-MB memory module (DDR2, PC2-4200, CL3, 533 MHz)
373120-001	512-MB memory module (DDR2, PC2-4200, CL3, 533 MHz)
373121-001	1024-MB memory module (DDR2, PC2-4200, CL3, 533 MHz)
373314-001	8X DVD-ROM drive
373315-001	24X DVD/CD-RW Combo Drive
373900-001	802.11a/b/g combination WLAN card Mini PCI communications card for use in most of the world
373900-021	802.11a/b/g combination WLAN Mini PCI communications card for use in Europe, Middle East, and Africa
373900-291	802.11a/b/g combination WLAN Mini PCI communications card for use in Japan
373901-001	802.11a/b/g High Band combination WLAN Mini PCI communications card
374791-001	90 watt, slim line profile power supply
374803-001	Docking Station
374804-001	Advanced Docking Station
375557-001	DVD+RW/R and CD-RW Combo Drive
378203-001	Keyboard, with pointing stick for use in the United States
378203-002	Keyboard, with pointing stick for use internationally
378203-031	Keyboard, with pointing stick for use in the United Kingdom
378203-041	Keyboard, with pointing stick for use in Germany

Table 3-6
Sequential Part Number Listing (*Continued*)

Spare Part Number	Description
378203-051	Keyboard, with pointing stick for use in France
378203-061	Keyboard, with pointing stick for use in Italy
378203-071	Keyboard, with pointing stick for use in Spain
378203-081	Keyboard, with pointing stick for use in Denmark
378203-091	Keyboard, with pointing stick for use in Norway
378203-101	Keyboard, with pointing stick for use in Sweden
378203-111	Keyboard, with pointing stick for use in Switzerland
378203-121	Keyboard, with pointing stick for use in French Canada
378203-131	Keyboard, with pointing stick for use in Portugal
378203-141	Keyboard, with pointing stick for use in Turkey
378203-151	Keyboard, with pointing stick for use in Greece
378203-161	Keyboard, with pointing stick for use in Latin America
378203-171	Keyboard, with pointing stick for use in Saudi Arabia
378203-181	Keyboard, with pointing stick for use in Belgium
378203-201	Keyboard, with pointing stick for use in Brazil
378203-211	Keyboard, with pointing stick for use in Hungary
378203-221	Keyboard, with pointing stick for use in Czech Republic
378203-231	Keyboard, with pointing stick for use in Slovakia
378203-251	Keyboard, with pointing stick for use in Russia
378203-281	Keyboard, with pointing stick for use in Thailand
378203-291	Keyboard, with pointing stick for use in Japan
378203-AB1	Keyboard, with pointing stick for use in Taiwan

Table 3-6
Sequential Part Number Listing (*Continued*)

Spare Part Number	Description
378203-AD1	Keyboard, with pointing stick for use in Korea
378203-BA1	Keyboard, with pointing stick for use in Slovenia
378203-BB1	Keyboard, with pointing stick for use in Israel
378203-DD1	Keyboard, with pointing stick for use in Iceland
378220-001	Intel Pentium M 1.60-GHz processor, includes thermal paste
378221-001	Intel Pentium M 1.73-GHz processor, includes thermal paste
378222-001	Intel Pentium M 1.86-GHz processor, includes thermal paste
378223-001	Intel Pentium M 2.00-GHz processor, includes thermal paste
378224-001	Intel Pentium M 2.13-GHz processor, includes thermal paste
379799-001	Heat sink (includes thermal paste)
379807-001	Trusted Platform Module (TPM) security card
379808-001	5400-rpm, 40-GB hard drive (includes frame and connector)
379809-001	5400-rpm, 60-GB hard drive (includes frame and connector)
379810-001	5400-rpm, 80-GB hard drive (includes frame and connector)
380045-001	Docking Station Miscellaneous Plastics Kit
380950-001	7200-rpm, 60-GB hard drive (includes frame and connector)
381582-001	802.11b/g WLAN Mini PCI communications card for use in most of the world
381583-001	802.11b/g WLAN Mini PCI communications card for use in the rest of the world
382674-001	Thermal plate (includes fan and thermal paste)
382675-001	TouchPad with TouchPad buttons and pointing stick buttons (includes TouchPad cable)
382676-001	TouchPad with TouchPad buttons (includes TouchPad cable)

Table 3-6
Sequential Part Number Listing (*Continued*)

Spare Part Number	Description
382677-001	Audio board (includes audio board cable and USB board cable)
382678-001	Top cover for use only with HP Compaq nc8230 and nc8220 models (includes speakers)
382679-001	Top cover for use only with HP Compaq nw8240 models (includes speakers)
382680-001	Switch cover for use only with HP Compaq nw8240 and nc8230 models (include LED board and LED board cable)
382681-001	Base enclosure for use only with HP Compaq and nc8230 and nc8220 models
382682-001	Display assembly, 15.4-inch, WXGA, TFT (includes wireless antenna boards and cables)
382683-001	Display assembly, 15.4-inch, UXGA, TFT (includes wireless antenna boards and cables)
382684-001	Display assembly, 15.4-inch, WSXGA, TFT (includes wireless antenna boards and cables)
382686-001	System board with 128-MB video memory, for use only with HP Compaq nw8240 models
382687-001	System board with 128-MB video memory, for use only with HP Compaq nc8230 and nc8220 models
382688-001	System board with 64-MB video memory, for use only with HP Compaq nc8230 and nc8220 models
382689-001	System board frame (includes RJ-11 connector module and cable)
382690-001	Serial connector module (includes serial connector module cable)
382691-001	Miscellaneous Plastics Kit

Table 3-6
Sequential Part Number Listing (*Continued*)

Spare Part Number	Description
382692-001	Miscellaneous Screw Kit
382693-001	Push button module
384132-001	Base enclosure for use only with HP Compaq nw8240 models
384133-001	Switch cover for use only with HP Compaq nc8220 models (include LED board and LED board cable)
385548-001	Keyboard, without pointing stick for use in the United States
385548-002	Keyboard, without pointing stick for use internationally
385548-031	Keyboard, without pointing stick for use in the United Kingdom
385548-041	Keyboard, without pointing stick for use in Germany
385548-051	Keyboard, without pointing stick for use in France
385548-061	Keyboard, without pointing stick for use in Italy
385548-071	Keyboard, without pointing stick for use in Spain
385548-081	Keyboard, without pointing stick for use in Denmark
385548-091	Keyboard, without pointing stick for use in Norway
385548-101	Keyboard, without pointing stick for use in Sweden
385548-111	Keyboard, without pointing stick for use in Switzerland
385548-121	Keyboard, without pointing stick for use in French Canada
385548-131	Keyboard, without pointing stick for use in Portugal
385548-141	Keyboard, without pointing stick for use in Turkey
385548-151	Keyboard, without pointing stick for use in Greece
385548-161	Keyboard, without pointing stick for use in Latin America
385548-171	Keyboard, without pointing stick for use in Saudi Arabia
385548-181	Keyboard, without pointing stick for use in Belgium

Table 3-6
Sequential Part Number Listing (*Continued*)

Spare Part Number	Description
385548-201	Keyboard, without pointing stick for use in Brazil
385548-211	Keyboard, without pointing stick for use in Hungary
385548-221	Keyboard, without pointing stick for use in Czech Republic
385548-231	Keyboard, without pointing stick for use in Slovakia
385548-251	Keyboard, without pointing stick for use in Russia
385548-281	Keyboard, without pointing stick for use in Thailand
385548-291	Keyboard, without pointing stick for use in Japan
385548-AB1	Keyboard, without pointing stick for use in Taiwan
385548-AD1	Keyboard, without pointing stick for use in Korea
385548-BA1	Keyboard, without pointing stick for use in Slovenia
385548-BB1	Keyboard, without pointing stick for use in Israel
385548-DD1	Keyboard, without pointing stick for use in Iceland
389014-001	Miscellaneous Cable Kit
390121-001	1024-MB memory module (DDR2, PC2-3200, CL3, 400 MHz)
390120-001	512-MB memory module (DDR2, PC2-3200, CL3, 400 MHz)
390119-001	256-MB memory module (DDR2, PC2-3200, CL3, 400 MHz)

Removal and Replacement Preliminaries

This chapter provides essential information for proper and safe removal and replacement service.

4.1 Tools Required

You will need the following tools to complete the removal and replacement procedures:

- Magnetic screwdriver
- Phillips P0 screwdriver
- Torx T8 screwdriver
- 5.0-mm socket for system board locks
- Flat-bladed screwdriver
- Tool kit—includes connector removal tool, loopback plugs, and case utility tool

4.2 Service Considerations

The following sections include some of the considerations that you should keep in mind during disassembly and assembly procedures.



As you remove each subassembly from the notebook, place the subassembly (and all accompanying screws) away from the work area to prevent damage.

Plastic Parts

Using excessive force during disassembly and reassembly can damage plastic parts. Use care when handling the plastic parts. Apply pressure only at the points designated in the maintenance instructions.

Cables and Connectors



CAUTION: When servicing the notebook, ensure that cables are placed in their proper locations during the reassembly process. Improper cable placement can damage the notebook.

Cables must be handled with extreme care to avoid damage. Apply only the tension required to unseat or seat the cables during removal and insertion. Handle cables by the connector whenever possible. In all cases, avoid bending, twisting, or tearing cables. Ensure that cables are routed in such a way that they cannot be caught or snagged by parts being removed or replaced. Handle flex cables with extreme care; these cables tear easily.

4.3 Preventing Damage to Removable Drives

Removable drives are fragile components that must be handled with care. To prevent damage to the notebook, damage to a removable drive, or loss of information, observe the following precautions:

- Before removing or inserting a hard drive, shut down the notebook. If you are unsure whether the notebook is off or in hibernation, turn the notebook on, and then shut it down through the operating system.
- Before removing a diskette drive or optical drive, ensure that a diskette or disc is not in the drive and ensure that the optical drive tray is closed.
- Before handling a drive, ensure that you are discharged of static electricity. While handling a drive, avoid touching the connector.
- Handle drives on surfaces covered with at least one inch of shock-proof foam.
- Avoid dropping drives from any height onto any surface.
- After removing a hard drive, an optical drive, or a diskette drive, place it in a static-proof bag.
- Avoid exposing a hard drive to products that have magnetic fields, such as monitors or speakers.
- Avoid exposing a drive to temperature extremes or liquids.
- If a drive must be mailed, place the drive in a bubble pack mailer or other suitable form of protective packaging and label the package “FRAGILE: Handle With Care.”

4.4 Preventing Electrostatic Damage

Many electronic components are sensitive to electrostatic discharge (ESD). Circuitry design and structure determine the degree of sensitivity. Networks built into many integrated circuits provide some protection, but in many cases, the discharge contains enough power to alter device parameters or melt silicon junctions.

A sudden discharge of static electricity from a finger or other conductor can destroy static-sensitive devices or microcircuitry. Often the spark is neither felt nor heard, but damage occurs.

An electronic device exposed to electrostatic discharge may not be affected at all and can work perfectly throughout a normal cycle. Or the device may function normally for a while, then degrade in the internal layers, reducing its life expectancy.

4.5 Packaging and Transporting Precautions

Use the following grounding precautions when packaging and transporting equipment:

- To avoid hand contact, transport products in static-safe containers, such as tubes, bags, or boxes.
- Protect all electrostatic-sensitive parts and assemblies with conductive or approved containers or packaging.
- Keep electrostatic-sensitive parts in their containers until the parts arrive at static-free workstations.
- Place items on a grounded surface before removing items from their containers.
- Always be properly grounded when touching a sensitive component or assembly.
- Store reusable electrostatic-sensitive parts from assemblies in protective packaging or nonconductive foam.
- Use transporters and conveyors made of antistatic belts and roller bushings. Ensure that mechanized equipment used for moving materials is wired to ground and that proper materials are selected to avoid static charging. When grounding is not possible, use an ionizer to dissipate electric charges.

4.6 Workstation Precautions

Use the following grounding precautions at workstations:

- Cover the workstation with approved static-shielding material (refer to [Table 4-2, “Static-Shielding Materials”](#)).
- Use a wrist strap connected to a properly grounded work surface and use properly grounded tools and equipment.
- Use conductive field service tools such as cutters, screwdrivers, and vacuums.
- When fixtures must directly contact dissipative surfaces, use fixtures made only of static-safe materials.
- Keep the work area free of nonconductive materials such as ordinary plastic assembly aids and Styrofoam.
- Handle electrostatic-sensitive components, parts, and assemblies by the case or PCM laminate. Handle these items only at static-free workstations.
- Avoid contact with pins, leads, or circuitry.
- Turn off power and input signals before inserting or removing connectors or test equipment.

4.7 Grounding Equipment and Methods

Grounding equipment must include either a wrist strap or a foot strap at a grounded workstation.

- When seated, wear a wrist strap connected to a grounded system. Wrist straps are flexible straps with a minimum of one megohm $\pm 10\%$ resistance in the ground cords. To provide proper ground, wear a strap snugly against the skin at all times. On grounded mats with banana-plug connectors, use alligator clips to connect a wrist strap.
- When standing, use foot straps and a grounded floor mat. Foot straps (heel, toe, or boot straps) can be used at standing workstations and are compatible with most types of shoes or boots. On conductive floors or dissipative floor mats, use foot straps on both feet with a minimum of one megohm resistance between the operator and ground. To be effective, the conductive strips must be worn in contact with the skin.

Other grounding equipment recommended for use in preventing electrostatic damage includes:

- Antistatic tape
- Antistatic smocks, aprons, and sleeve protectors
- Conductive bins and other assembly or soldering aids
- Nonconductive foam
- Conductive tabletop workstations with ground cords of one megohm resistance
- Static-dissipative tables or floor mats with hard ties to the ground
- Field service kits
- Static awareness labels
- Material-handling packages
- Nonconductive plastic bags, tubes, or boxes
- Metal tote boxes
- Electrostatic voltage levels and protective materials

Table 4-1 shows how humidity affects the electrostatic voltage levels generated by different activities.

Table 4-1
Typical Electrostatic Voltage Levels

Event	Relative Humidity		
	10%	40%	55%
Walking across carpet	35,000 V	15,000 V	7,500 V
Walking across vinyl floor	12,000 V	5,000 V	3,000 V
Motions of bench worker	6,000 V	800 V	400 V
Removing DIPS from plastic tube	2,000 V	700 V	400 V
Removing DIPS from vinyl tray	11,500 V	4,000 V	2,000 V
Removing DIPS from Styrofoam	14,500 V	5,000 V	3,500 V
Removing bubble pack from PCB	26,500 V	20,000 V	7,000 V
Packing PCBs in foam-lined box	21,000 V	11,000 V	5,000 V



A product can be degraded by as little as 700 V.

Table 4-2 lists the shielding protection provided by antistatic bags and floor mats.

Table 4-2
Static-Shielding Materials

Material	Use	Voltage Protection Level
Antistatic plastic	Bags	1,500 V
Carbon-loaded plastic	Floor mats	7,500 V
Metallized laminate	Floor mats	5,000 V

5

Removal and Replacement Procedures

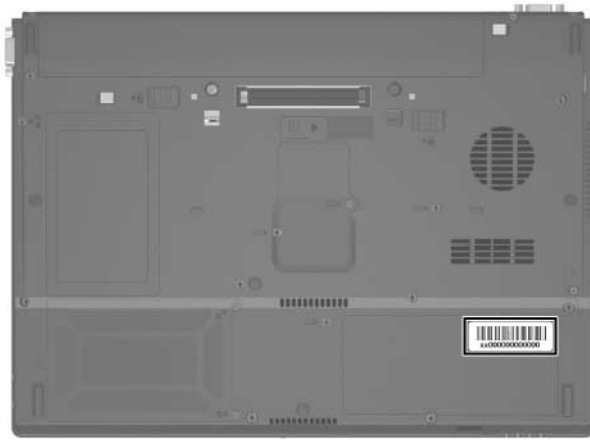
This chapter provides removal and replacement procedures.

There are 78 screws and screw locks, in 15 different sizes, that may have to be removed, replaced, or loosened when servicing the notebook. Make special note of each screw and screw lock size and location during removal and replacement.

Refer to [Appendix C, “Screw Listing,”](#) for detailed information on screw and screw lock sizes, locations, and usage.

5.1 Serial Number

Report the notebook serial number to HP when requesting information or ordering spare parts. The serial number is located on the bottom of the notebook.




Serial Number Location

5.2 Disassembly Sequence Chart

Use the chart below to determine the section number to be referenced when removing notebook components.

Disassembly Sequence Chart		
Section	Description	# of Screws Removed
5.3	Preparing the notebook for disassembly Battery pack	0
5.4	Hard drive	2 loosened to remove the hard drive cover 1 loosened to remove the hard drive 6 to disassemble hard drive
5.5	Notebook feet	0
5.6	MultiBay II device	1
5.7	External memory module	1 loosened to remove the memory module compartment cover
5.8	Bluetooth board	1 loosened to remove the Bluetooth board cover 2 removed to remove Bluetooth board
5.9	Keyboard	2
5.10	Switch cover	3 to remove the switch cover 6 to remove the LED board
5.11	RTC battery	0
5.12	Thermal plate	4 loosened 4 removed

Disassembly Sequence Chart (Continued)

Section	Description	# of Screws Removed
5.13	Heat sink	4 loosened
5.14	Processor	1 loosened
5.15	TPM security card	1
5.16	Internal memory module	0
5.17	TouchPad	1
5.18	Mini PCI communications card	0
	 To prevent an unresponsive system and the display of a warning message, install only a Mini PCI device authorized for use in your notebook by the governmental agency that regulates wireless devices in your country. If you install a device and then receive a warning message, remove the device to restore notebook functionality. Then contact Customer Care.	
5.19	Display assembly	8
5.20	Top cover	2 rubber screw covers 16 screws
5.21	Modem board	2
5.22	System board	7 screws 2 screw locks
5.23	System board frame	2
5.24	Push button module	1
5.25	Serial connector module	2 screw locks
5.26	Audio board	2

5.3 Preparing the Notebook for Disassembly

Before you begin any removal or installation procedures:

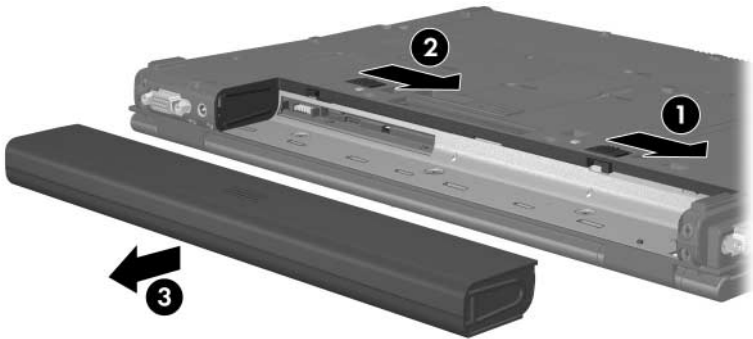
1. Shut down the notebook. If you are unsure whether the notebook is off or in hibernation, turn the computer on, and then shut it down through the operating system.
2. Disconnect all external devices connected to the notebook.
3. Disconnect the power cord.

Battery Pack Spare Part Number Information

8-cell, 4.8-AHr

372771-001

4. Remove the battery pack by following these steps:
 - a. Turn the notebook upside down with the rear panel toward you.
 - b. Slide and release the battery pack lock latch **1** to the right. (The battery pack partially disengages from the notebook.)
 - c. Slide and hold the battery pack release latch **2** to the right.
 - d. Slide the battery pack straight back **3** and remove it.



Removing the Battery Pack

Reverse the above procedure to install the battery pack.

5.4 Hard Drive

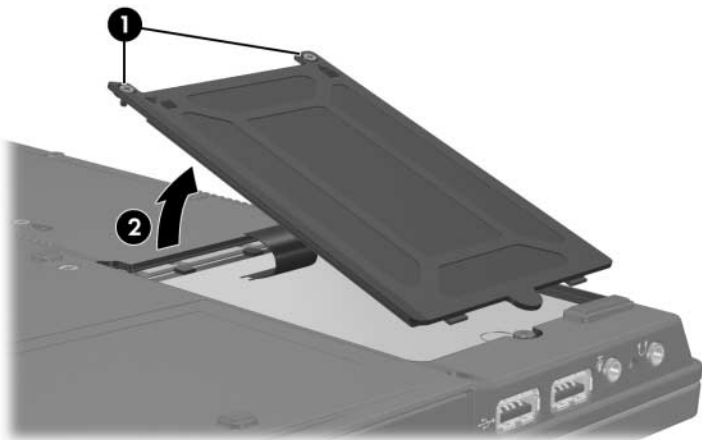
Hard Drive Spare Part Number Information

7200-rpm		5400-rpm	
60-GB	380950-001	80-GB	379810-001
		60-GB	379809-001
		40-GB	379808-001

1. Prepare the notebook for disassembly ([Section 5.3](#)).
2. Loosen the 2 PM2.0×4.0 screws **1** that secure the hard drive cover to the notebook.
3. Lift the left side of the hard drive cover and swing it to the right **2**.
4. Remove the hard drive cover.

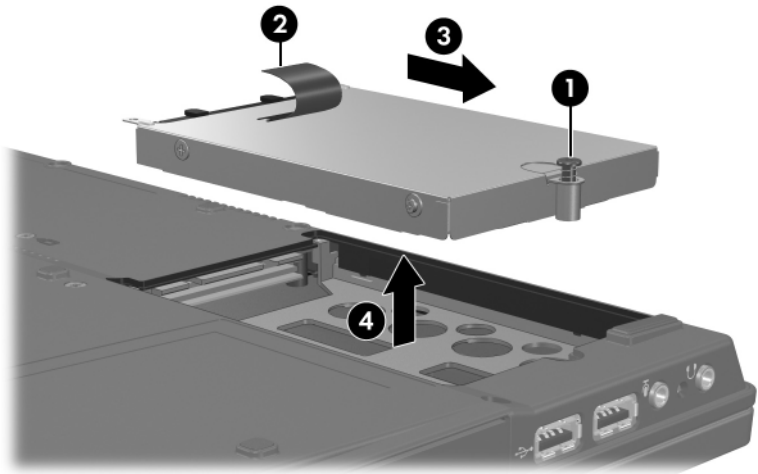


The hard drive cover is included in the Miscellaneous Plastics Kit, spare part number 382691-001.



Removing the Hard Drive Cover

5. Loosen the PM2.5×13.0 spring-loaded hard drive retention screw ❶.
6. Grasp the mylar tab ❷ on the left side of the hard drive and slide the hard drive to the right ❸ to disconnect it from the system board.
7. Remove the hard drive from the hard drive bay ❹.



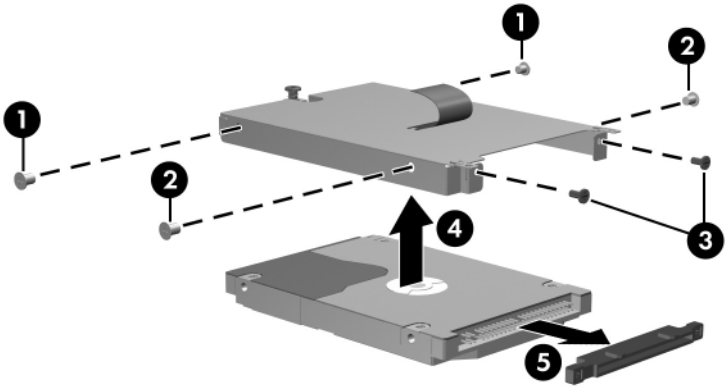
Removing the Hard Drive

8. Remove the following:

- ❶ Two PM3.0×5.0 screws
- ❷ Two PM3.0×4.0 screws
- ❸ Two PM1.5×4.0 screws

9. Lift the frame straight up ❹ to remove it from the hard drive.

10. Remove the hard drive connector ❺ from the hard drive.

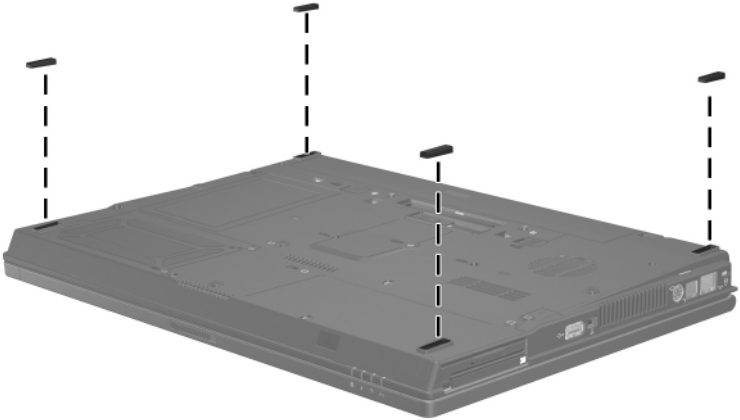


Removing the Hard Drive Frame and Connector

Reverse the above procedure to reassemble and install the hard drive.

5.5 Notebook Feet

The notebook feet are adhesive-backed rubber pads. The feet are included in the Miscellaneous Plastics Kit, spare part number 382691-001.



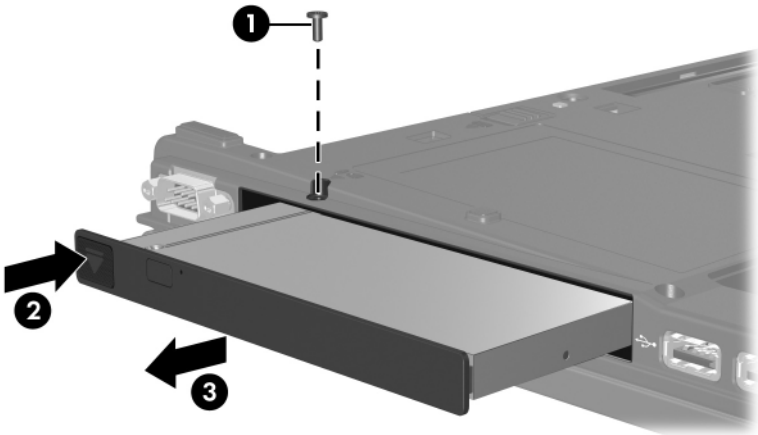
Replacing the Notebook Feet

5.6 MultiBay II Device

MultiBay II Device Spare Part Number Information

DVD-ROM drive	373314-001
DVD+RW/R and CD-RW Combo Drive	375557-001
DVD/CD-RW Combo Drive	373315-001

1. Prepare the notebook for disassembly ([Section 5.3](#)).
2. Position the notebook with the left side toward you.
3. If it is installed, remove the T8M2.0x4.0 screw **1** that secures the MultiBay II device to the notebook.
4. Gently press in on the left side of the device **2** to unlock it.
5. Slide the device **3** from the notebook.



Removing the MultiBay II Device

Reverse the above procedure to install a MultiBay II device.

5.7 External Memory Module

Memory Module Spare Part Number Information

DDR2, PC2-4200, CL3, 533 MHz

1024 MB	373121-001
512 MB	373120-001
256 MB	373119-001

DDR2, PC2-3200, CL3, 400 MHz

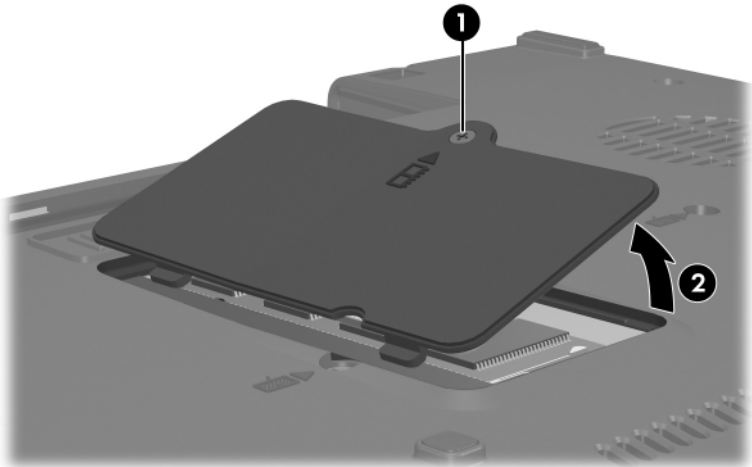
1024 MB	391021-001
512 MB	391020-001
256 MB	391019-001

1. Prepare the notebook for disassembly (refer to [Section 5.3](#)).
2. Position the notebook with the front toward you.

3. Loosen the PM2.0×4.0 screw **1** that secures the memory module compartment cover to the notebook.
4. Lift the right side of the cover up and swing it to the left **2**.
5. Remove the memory module compartment cover.



The memory module compartment cover is included in the Miscellaneous Plastics Kit, spare part number 382691-001.

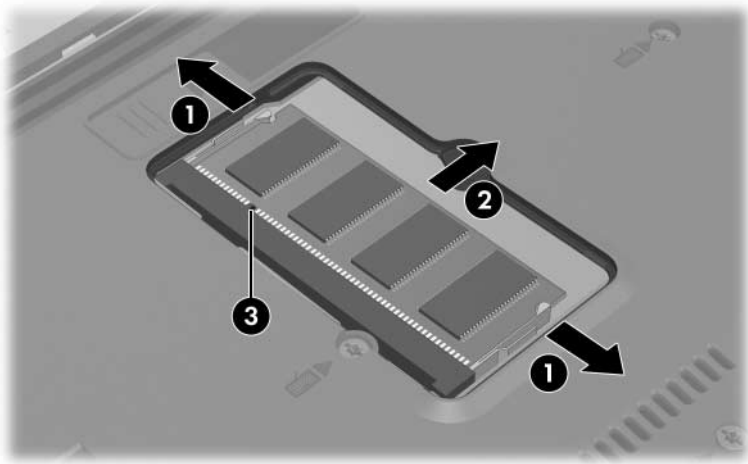


Removing the Memory Module Compartment Cover

6. Spread the retaining tabs **1** on each side of the memory module socket to release the memory module. (The side of the module opposite the socket rises away from the notebook.)
7. Slide the module away from the socket at an angle **2**.
8. Remove the memory module board.



Note that memory modules are slotted **3** to prevent incorrect installation into the memory module socket.



Removing the External Memory Module

Reverse the above procedure to install an external memory module.

5.8 Bluetooth Board

Bluetooth Board Spare Part Number Information

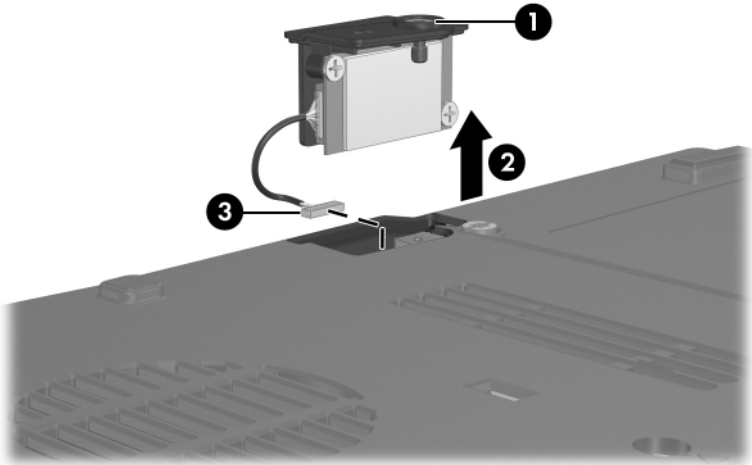
Broadcomm Bluetooth wireless board (includes Bluetooth board cable)	367871-001
---	------------

1. Prepare the notebook for disassembly (refer to [Section 5.3](#)).
2. Position the notebook with the right side toward you.
3. Loosen the PM1.5×3.0 screw ❶ that secures the Bluetooth cover to the notebook.
4. Remove the Bluetooth cover ❷ from the notebook.



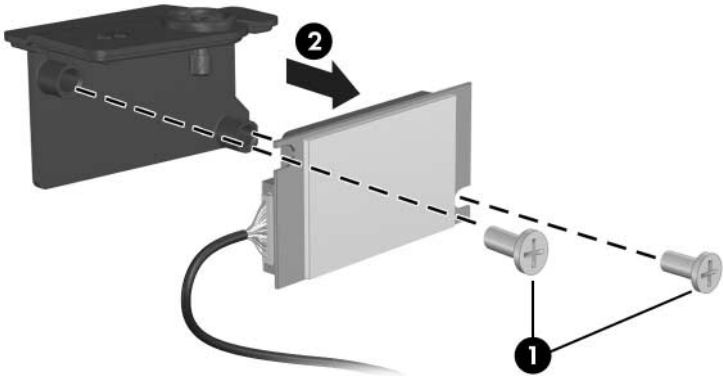
The Bluetooth cover is included in the Miscellaneous Plastics Kit, spare part number 382691-001.

5. Disconnect the Bluetooth cable ❸ from the system board.



Removing the Bluetooth Board

6. Remove the two PM1.5×3.0 screws **1** that secure the Bluetooth board to the Bluetooth cover.
7. Remove the Bluetooth board **2** from the cover.



Removing the Bluetooth Board Cover

Reverse the above procedure to install a Bluetooth board.

5.9 Keyboard

Keyboard Spare Part Number Information

With pointing stick

Belgium	378203-181	Latin America	378203-161
Brazil	378203-201	Norway	378203-091
Czech Republic	378203-221	Portugal	378203-131
Denmark	378203-081	Russia	378203-251
France	378203-051	Saudi Arabia	378203-171
French Canada	378203-121	Slovakia	378203-231
Germany	378203-041	Slovenia	378203-BA1
Greece	378203-151	Spain	378203-071
Hungary	378203-211	Sweden	378203-101
Iceland	378203-DD1	Switzerland	378203-111
International	378203-002	Taiwan	378203-AB1
Israel	378203-BB1	Thailand	378203-281
Italy	378203-061	Turkey	378203-141
Japan	378203-291	United Kingdom	378203-031
Korea	378203-AD1	United States	378203-001

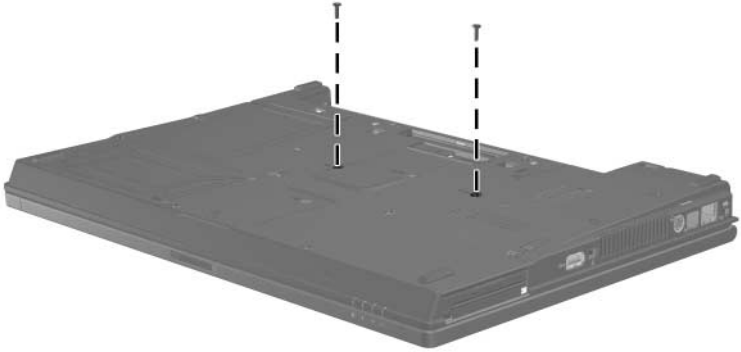
Keyboard Spare Part Number Information (*Continued*)

Without pointing stick

Belgium	385548-181	Latin America	385548-161
Brazil	385548-201	Norway	385548-091
Czech Republic	385548-221	Portugal	385548-131
Denmark	385548-081	Russia	385548-251
France	385548-051	Saudi Arabia	385548-171
French Canada	385548-121	Slovakia	385548-231
Germany	385548-041	Slovenia	385548-BA1
Greece	385548-151	Spain	385548-071
Hungary	385548-211	Sweden	385548-101
Iceland	385548-DD1	Switzerland	385548-111
International	385548-002	Taiwan	385548-AB1
Israel	385548-BB1	Thailand	385548-281
Italy	385548-061	Turkey	385548-141
Japan	385548-291	United Kingdom	385548-031
Korea	385548-AD1	United States	385548-001

1. Prepare the notebook for disassembly ([Section 5.3](#)).
2. Position the notebook with the front panel toward you.

3. Remove the two T8M2.0x9.5 screws that secure the keyboard to the notebook.



Removing the Keyboard Screws

4. Turn the notebook display-side up with the front panel toward you.
5. Open the notebook as far as possible.
6. Slide the 4 keyboard retention tabs toward you **1**. The tabs are located between the **esc** and **f1** keys, between the **f4** and **f5** keys, between the **f8** and **f9** keys, and between the **f12** and **delete** keys.
7. Lift the rear edge of the keyboard and swing it toward you until it rests on the palm rest **2**.



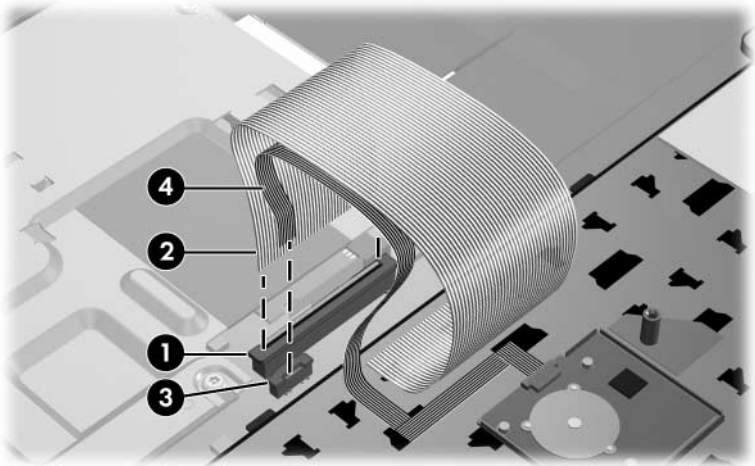
Releasing the Keyboard

8. Release the zero insertion force (ZIF) connector **1** to which the keyboard cable is connected and disconnect the keyboard cable **2** from the system board.



Step 9 applies to models with keyboards with pointing sticks.

9. Release the ZIF connector **3** to which the pointing stick cable is connected and disconnect the pointing stick cable **4** from the system board.



Disconnecting the Keyboard and Pointing Stick Cables

10. Remove the keyboard.

Reverse the above procedure to install the keyboard.

5.10 Switch Cover

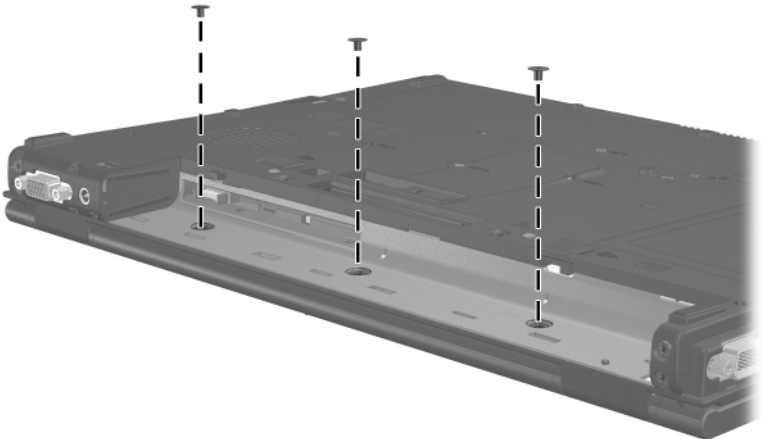
Switch Cover Spare Part Number Information

For use only with HP Compaq nw8240 and nc8230 models	382680-001
For use only with HP Compaq nc8220 models	384133-001



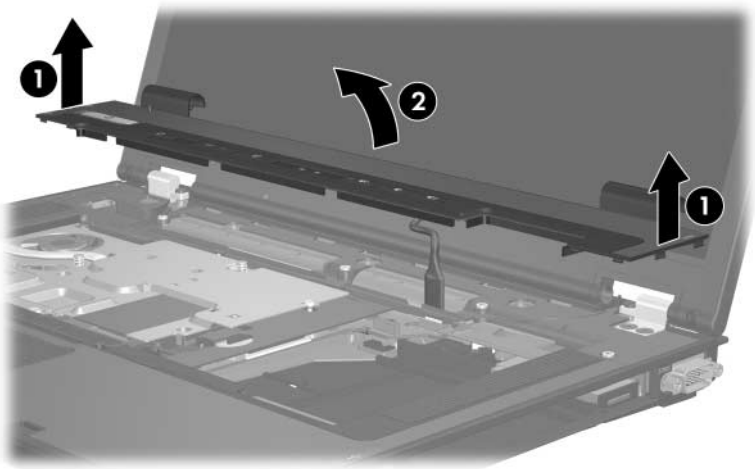
Both switch cover spare part kits include the LED board and LED board cable.

1. Prepare the notebook for disassembly ([Section 5.3](#)).
2. Remove the keyboard ([Section 5.9](#)).
3. Turn the notebook upside down with the rear panel toward you.
4. Remove the three PM2.0×2.0 screws that secure the switch cover to the notebook.



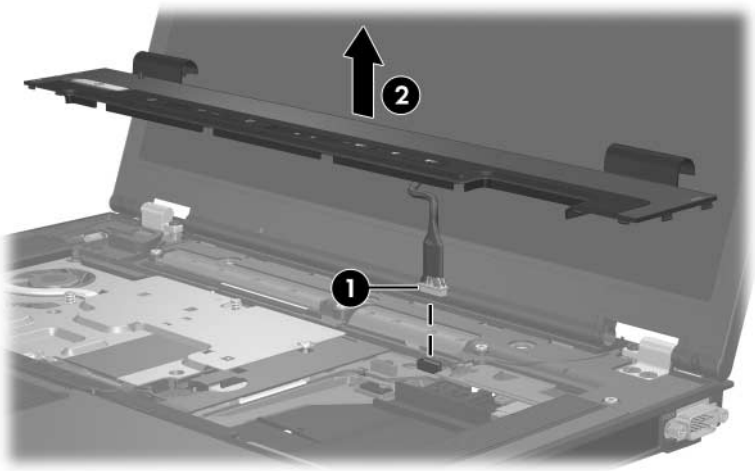
Removing the Switch Cover Screws

5. Turn the notebook display-side up with the front panel toward you.
6. Open the notebook as far as possible.
7. Use a flat-blade screwdriver to lift up the left and right hinge cover sections of the switch cover ❶ to detach it from the notebook.
8. Swing the rear edge of the switch cover up and toward you ❷.



Releasing the Switch Cover

9. Disconnect the LED board cable ❶ from the system board.
10. Remove the switch cover ❷.

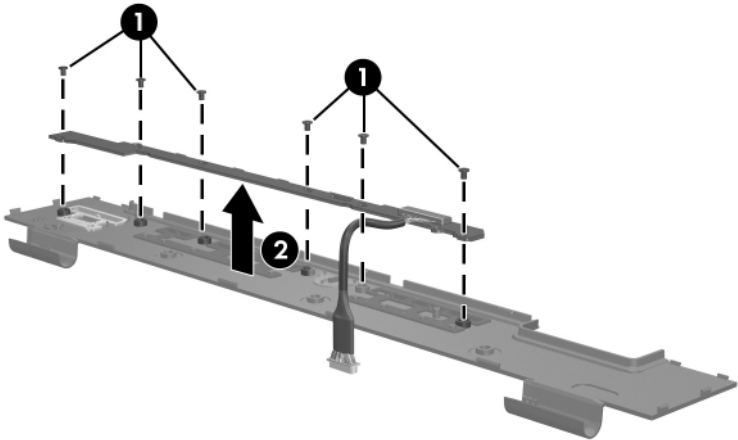


Removing the Switch Cover



If necessary, perform the following steps to remove the LED board from the switch cover.

11. Turn the switch cover upside down.
12. Remove the six PM1.5×3.0 screws **1** that secure the LED board to the switch cover.
13. Remove the LED board **2**.



Removing the LED Board

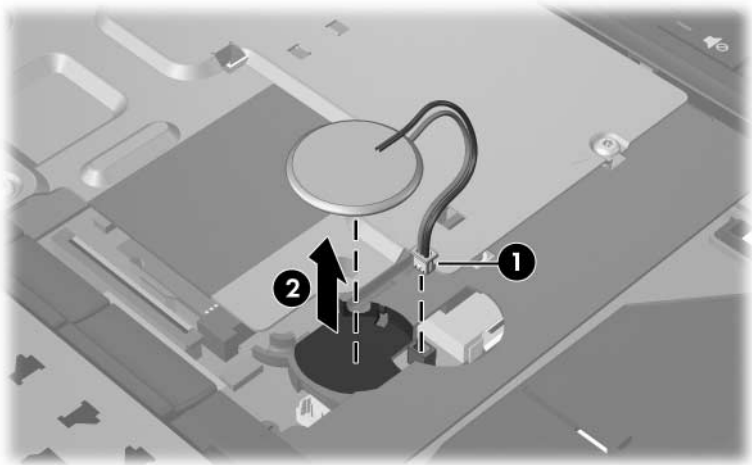
Reverse the above procedure to install the switch cover and LED board.

5.11 RTC Battery



The RTC battery is included in the Miscellaneous Plastics Kit, spare part number 382691-001.

1. Prepare the notebook for disassembly ([Section 5.3](#)).
2. Release the keyboard ([Section 5.9](#)).
3. Disconnect the RTC battery cable **1** from the system board.
4. Remove the RTC battery **2** from the clip in the top cover.



Removing the RTC Battery

Reverse the above procedure to install an RTC battery.

5.12 Thermal Plate

Thermal Plate Spare Part Number Information

Thermal plate (includes fan and thermal paste)

382674-001

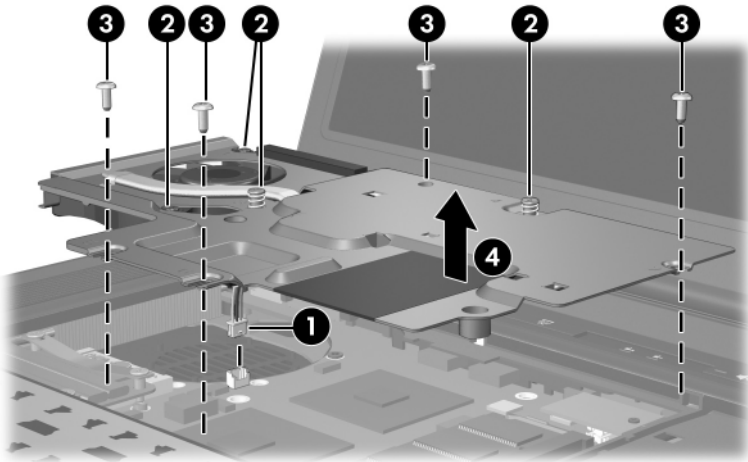
1. Prepare the notebook for disassembly ([Section 5.3](#)).
2. Release the keyboard ([Section 5.9](#)).

3. Disconnect the fan cable from the system board ❶.



The following screws should be loosened and removed, then installed, in the 1, 2, 3, 4, 5, 6, 7, 8 sequence stamped on the thermal plate.

4. Loosen the four PM2.0×10.0 spring-loaded screws ❷ that secure the thermal plate to the notebook.
5. Remove the four T8M2.0×4.0 screws ❸ that secure the thermal plate to the notebook.
6. Remove the thermal plate ❹.



Removing the Thermal Plate

Reverse the above procedure to install the thermal plate.

5.13 Heat Sink

Heat Sink Spare Part Number Information

Heat sink (includes thermal paste)

379799-001

1. Prepare the notebook for disassembly ([Section 5.3](#)).
2. Release the keyboard ([Section 5.9](#)).
3. Remove the thermal plate ([Section 5.12](#)).



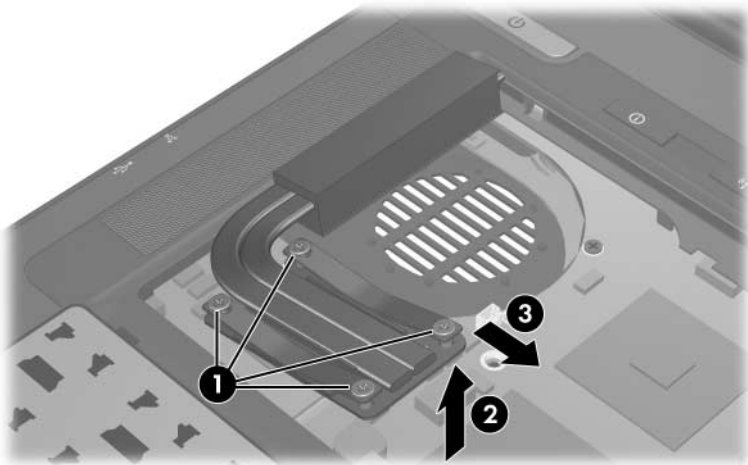
The following screws should be loosened and installed in the 1, 2, 3, 4 sequence stamped on the heat sink.

4. Loosen the four PM2.0×8.0 shoulder screws **1** that secure the heat sink to the notebook.
-



Due to the adhesive quality of the thermal paste located between the heat sink and processor, it may be necessary to move the heat sink from side to side to detach the heat sink from the processor.

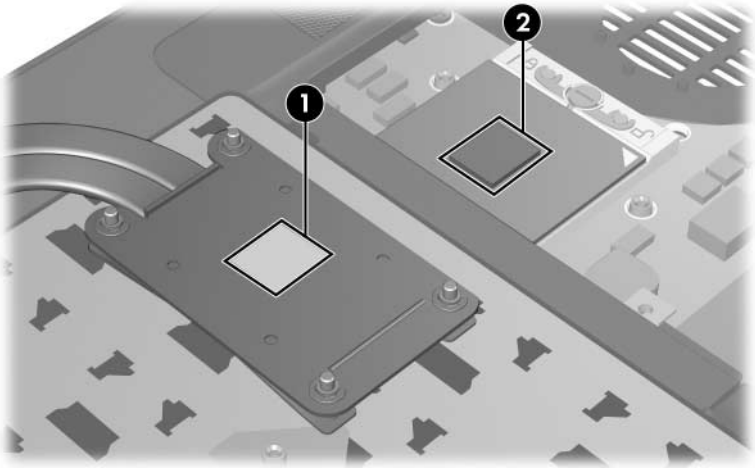
5. Lift the right side of the heat sink **2** until it disengages from the processor.
6. Slide the heat sink to the right **3** and remove it.



Removing the Heat Sink



The thermal paste should be thoroughly cleaned from the surfaces of the heat sink **1** and processor **2** each time the heat sink is removed. Thermal paste is included with all heat sink and processor spare part kits.



Replacing the Thermal Paste

Reverse the above procedure to install the heat sink.

5.14 Processor

Processor Spare Part Number Information

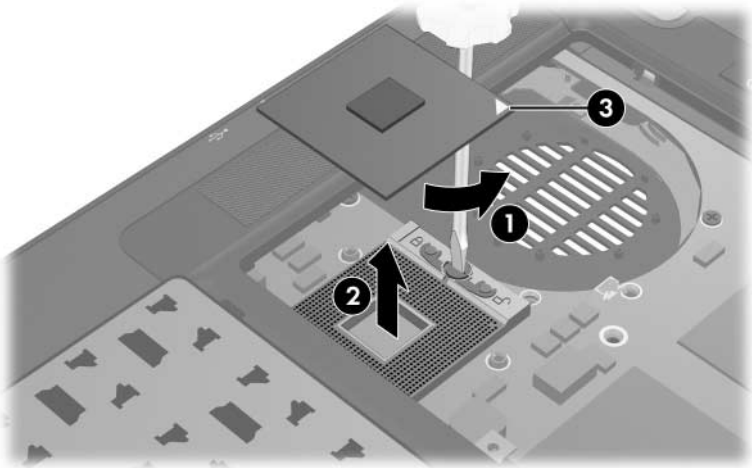
Intel Pentium M 770 (2.13-GHz)	378224-001
Intel Pentium M 760 (2.00-GHz)	378223-001
Intel Pentium M 750 (1.86-GHz)	378222-001
Intel Pentium M 740 (1.73-GHz)	378221-001
Intel Pentium M 730 (1.60-GHz)	378220-001

1. Prepare the notebook for disassembly ([Section 5.3](#)).
2. Release the keyboard ([Section 5.9](#)).
3. Remove the thermal plate ([Section 5.12](#)).
4. Remove the heat sink ([Section 5.13](#)).

5. Use a flat-blade screwdriver to turn the processor locking screw one-quarter turn counterclockwise ❶ until you hear a click.
6. Lift the processor straight up and remove it ❷.



The gold triangle ❸ on the processor should be aligned in the rear right corner when you install the processor.



Removing the Processor

Reverse the above procedure to install the processor.

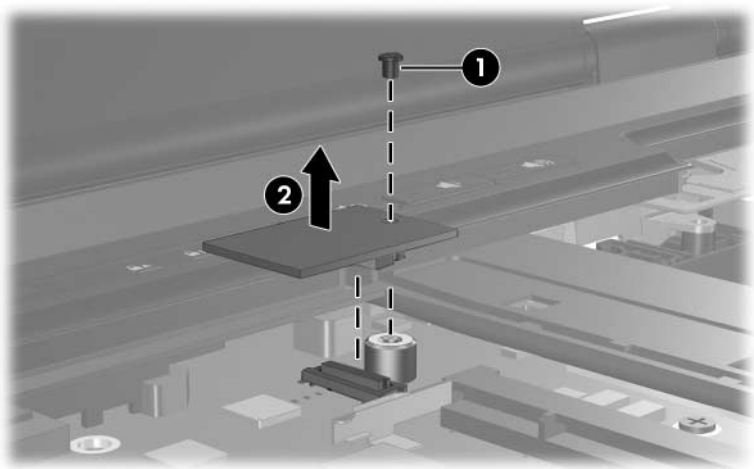
5.15 TPM Security Card

TPM Security Card Spare Part Number Information

TPM security card

379807-001

1. Prepare the notebook for disassembly ([Section 5.3](#)).
2. Release the keyboard ([Section 5.9](#)).
3. Remove the PM1.5×3.0 screw **1** that secures the TPM security card to the notebook.
4. Lift up on the right side of the card to disconnect it from the system board and remove the card **2**.



Removing the TPM Security Card

Reverse the above procedure to install the TPM security card.

5.16 Internal Memory Module

Memory Module Spare Part Number Information

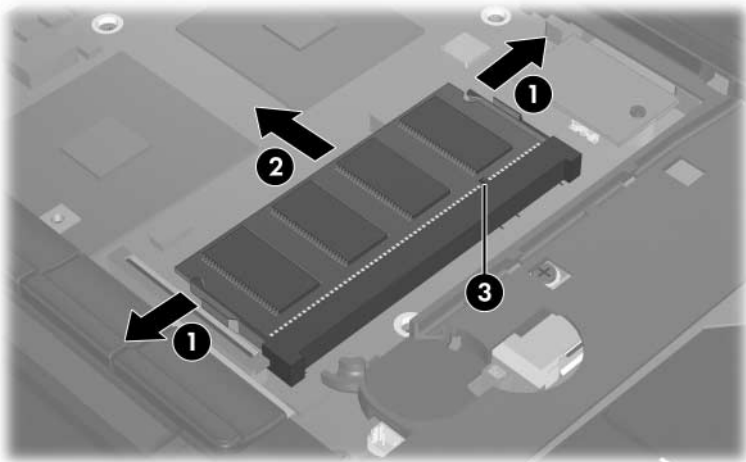
1024 MB	373121-001
512 MB	373120-001
256 MB	373119-001

1. Prepare the notebook for disassembly ([Section 5.3](#)).
2. Release the keyboard ([Section 5.9](#)).

3. Spread the retaining tabs **1** on each side of the memory module socket to release the memory module board. (The side of the module opposite the socket rises away from the notebook.)
4. Slide the module away from the socket at an angle **2**.
5. Remove the memory module board.



Note that memory modules are slotted **3** to prevent incorrect installation into the memory module socket.



Removing the Internal Memory Module

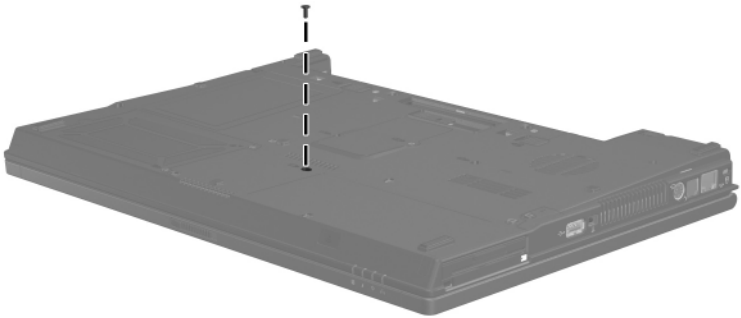
Reverse the above procedure to install an internal memory module.

5.17 TouchPad

TouchPad Spare Part Number Information

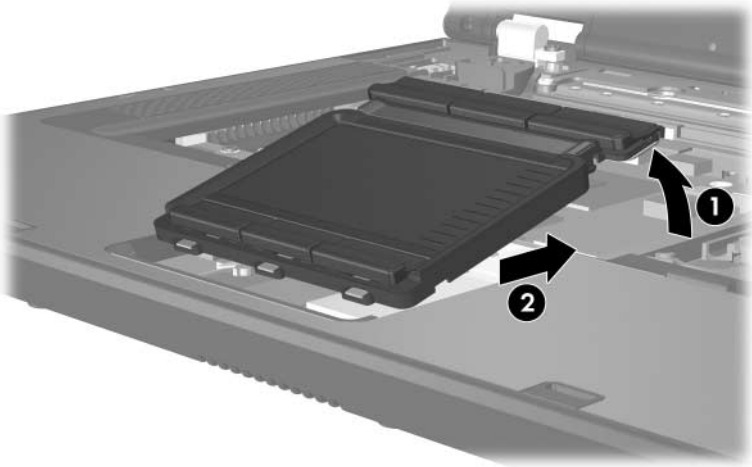
For use only with HP Compaq nw8240 models	382679-001
For use only with HP Compaq nc8230 and nc8220 models	382678-001

1. Prepare the notebook for disassembly ([Section 5.3](#)).
2. Remove the keyboard ([Section 5.9](#)).
3. Turn the notebook upside down with the front toward you.
4. Remove the T8M2.0×9.5 screw that secures the TouchPad to the notebook.



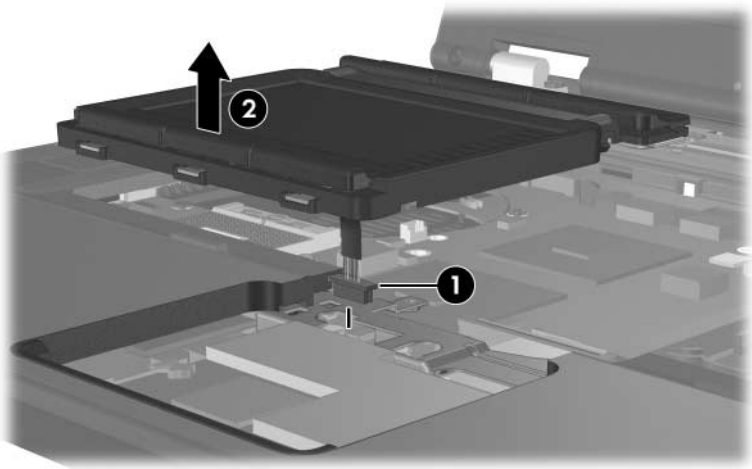
Removing the TouchPad Screw

5. Turn the notebook display-side up with the front toward you.
6. Open the notebook as far as possible.
7. Lift up on the front edge of the TouchPad ❶ until it disengages from the notebook.
8. Slide the TouchPad back ❷ until it rests on the notebook.



Releasing the TouchPad

9. Disconnect the TouchPad cable ❶ from the system board.
10. Remove the TouchPad ❷.



Removing the TouchPad

Reverse the above procedure to install the TouchPad.

5.18 Mini PCI Communications Card

Mini PCI Communications Card Spare Part Number Information

802.11b/g Mini PCI modem, for use in most of the world	381582-001
802.11b/g Mini PCI modem, for use in the rest of the world	381583-001
802.11b/g combination wireless local access network (WLAN) card, for use internationally	373032-002
802.11b/g combination WLAN card, for use in Japan	373032-291
802.11b/g combination WLAN card, for use in the United States	373032-001
802.11a/b/g combination WLAN communications card, for use internationally	373033-002
802.11a/b/g combination WLAN communications card, for use in Japan	373033-291
802.11a/b/g combination WLAN communications card, for use in the United States	373033-001
802.11a/b/g Mini PCI WLAN communications card, for use in Europe, the Middle East, and Africa	373900-021
802.11a/b/g Mini PCI WLAN communications card, for use in Japan	373900-291
802.11a/b/g Mini PCI WLAN communications card, for use in most of the world	373900-001
802.11a/b/g Mini PCI WLAN communications card, for use in the rest of the world	373901-001

1. Prepare the notebook for disassembly ([Section 5.3](#)).
2. Remove the keyboard ([Section 5.9](#)).
3. Remove the TouchPad ([Section 5.17](#)).

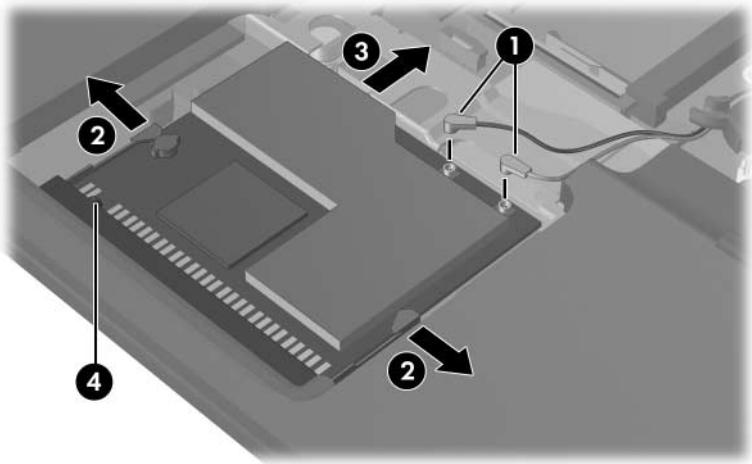


Make note of which antenna cable is attached to which antenna clip on the Mini PCI communications card before disconnecting the cables.

4. Disconnect the auxiliary and main antenna cables ❶ from the Mini PCI communications card.
5. Spread the 2 retaining tabs ❷ on each side of the Mini PCI socket to release the Mini PCI communications card. (The edge of the card opposite the socket rises away from the notebook.)
6. Remove the Mini PCI communications card by pulling the card away from the socket at a 45-degree angle ❸.



Note that the Mini PCI communications card is slotted ❹ to prevent incorrect installation.



Removing a Mini PCI Communications Card

Reverse the above procedure to install a Mini PCI communications card.

5.19 Display Assembly

Display Assembly Spare Part Number Information

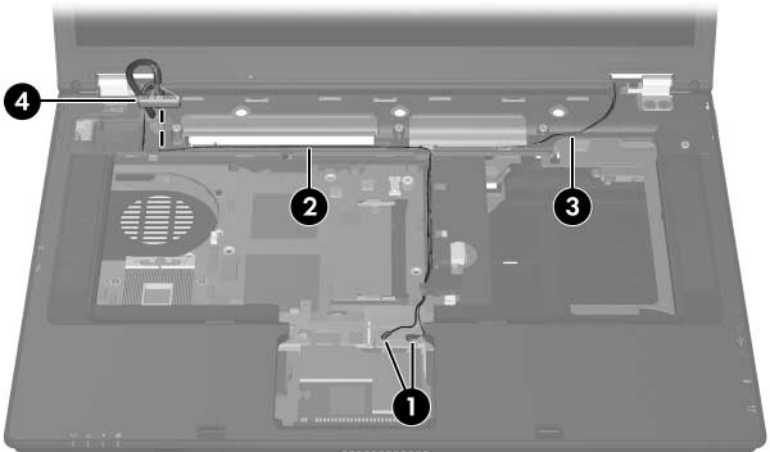
15.4-inch, SWXGA, TFT	382684-001
15.4-inch, WXGA, TFT	382682-001
15.4-inch, UXGA, TFT	382683-001

1. Prepare the notebook for disassembly ([Section 5.3](#)) and remove the following components:
 - a. Keyboard ([Section 5.9](#))
 - b. Switch cover ([Section 5.10](#))
 - c. TouchPad ([Section 5.17](#))



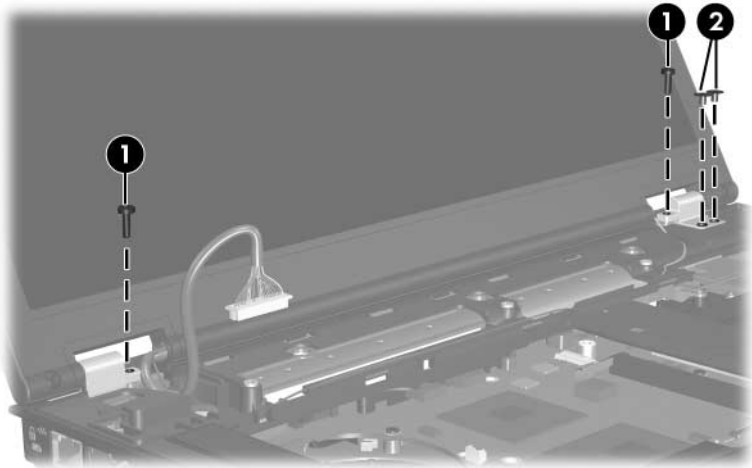
Make note of which antenna cable is attached to which antenna clip on the Mini PCI communications card before disconnecting the cables.

2. Disconnect the wireless antenna cables **1** from the Mini PCI communications card.
3. Remove the wireless antenna cables from the top cover clips **2** and **3** through which they are routed.
4. Disconnect the display cable **4** from the system board.



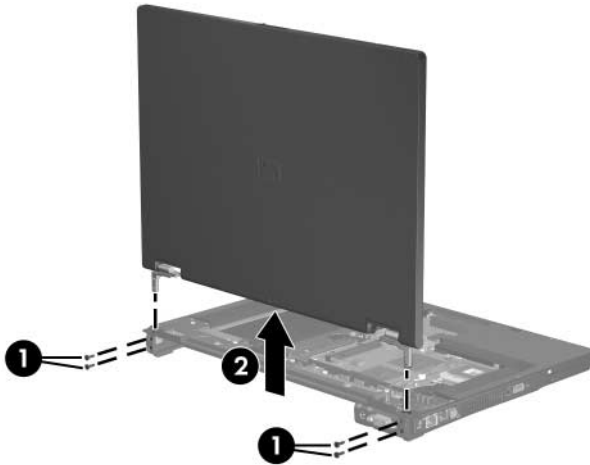
Disconnecting the Wireless Antenna and Display Cables

5. Remove the two T8M2.0×9.5 screws ❶ and the two PM2.0×2.0 screws ❷ that secure the display assembly to the notebook.



Removing the Display Screws

6. Position the notebook with the rear panel toward you.
7. Remove the four T8M2.0×9.5 screws **1** that secure the display assembly to the notebook.
8. Lift the display assembly straight up **2** to remove it.



Removing the Display

Reverse the above procedure to install the display assembly.

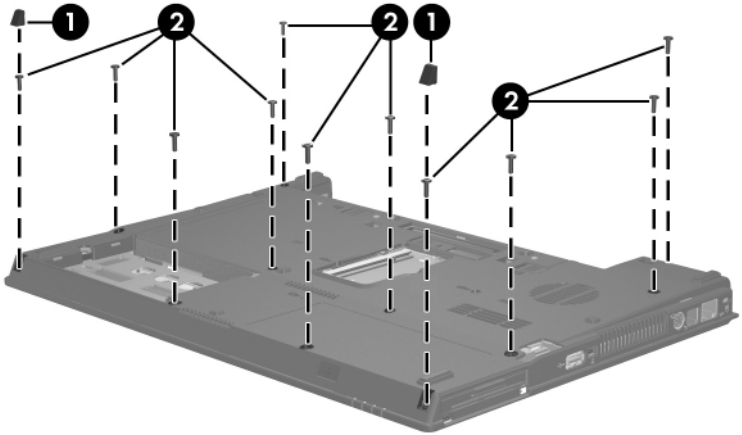
5.20 Top Cover

Top Cover Spare Part Number Information

For use only with HP Compaq nw8240 models	382679-001
For use only with HP Compaq nc8230 and nc8220 models	382678-001

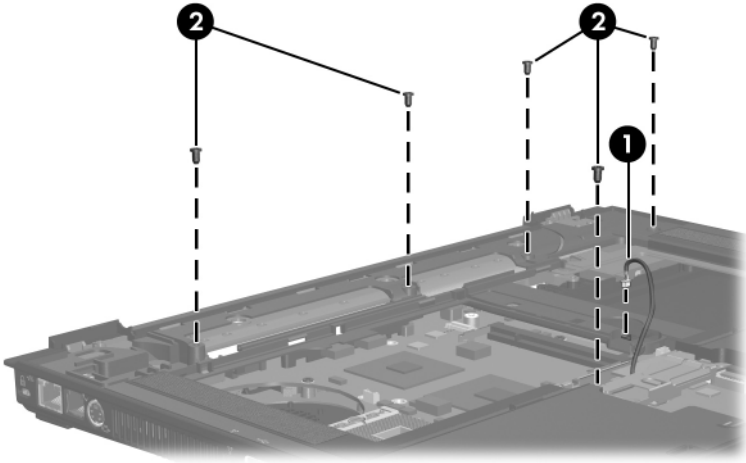
1. Prepare the notebook for disassembly ([Section 5.3](#)) and remove the following components:
 - a. Hard drive ([Section 5.4](#))
 - b. Keyboard ([Section 5.9](#))
 - c. Switch cover ([Section 5.10](#))
 - d. TouchPad ([Section 5.17](#))
 - e. Display assembly ([Section 5.19](#))
2. Turn the notebook upside down with the front panel toward you.

3. Remove the two rubber screw covers **1** and the eleven T8M2.0×9.5 screws **2** that secure the top cover to the notebook.



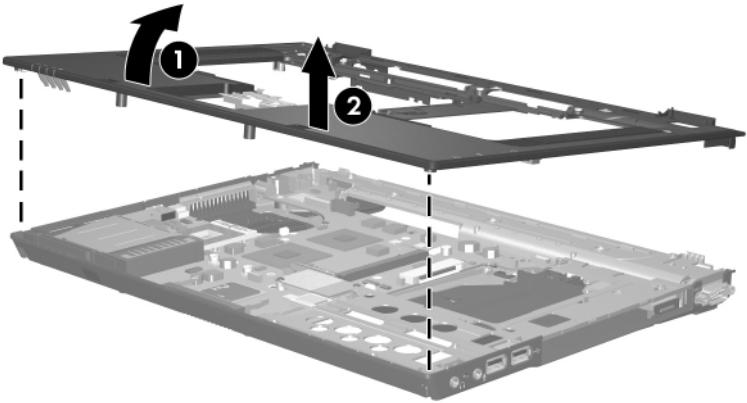
Removing the Top Cover Screws, Part 1

4. Turn the notebook right-side up with the front panel toward you.
5. Disconnect the speaker cable **1** from the system board.
6. Remove the five T8M2.0×4.0 screws **2** that secure the top cover to the notebook.



Removing the Top Cover Screws, Part 2

7. Lift the front edge of the top cover ❶ until it disengages from the base enclosure.
8. Lift the top cover straight up ❷ and remove it.



Removing the Top Cover

Reverse the above procedure to install the top cover.

5.21 Modem Board

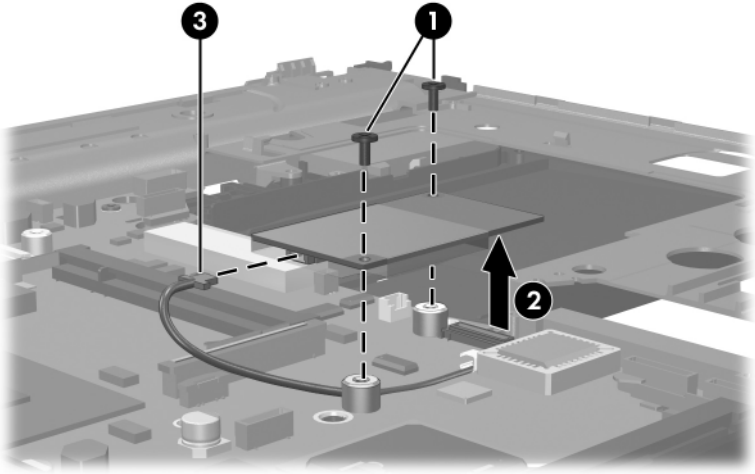
Modem Board Spare Part Number Information

Modem board (high-speed 56K)

325521-001

1. Prepare the notebook for disassembly ([Section 5.3](#)) and remove the following components:
 - a. Hard drive ([Section 5.4](#))
 - b. Keyboard ([Section 5.9](#))
 - c. Switch cover ([Section 5.10](#))
 - d. TouchPad ([Section 5.17](#))
 - e. Display assembly ([Section 5.19](#))
 - f. Top cover ([Section 5.20](#))

2. Remove the two T8M2.0×4.0 screws **1** that secure the modem board to the system board.
3. Lift the right side of the modem board **2** to disconnect it from the system board.
4. Disconnect the modem cable **3** from the modem board.
5. Remove the modem board.



Removing the Modem Board

Reverse the above procedure to install the modem board.

5.22 System Board

System Board Spare Part Number Information

With 128-MB video memory, for use only with HP Compaq nw8240 models	382686-001
With 128-MB video memory, for use only with HP Compaq nc8230 and nc8220 models	382687-001
With 64-MB video memory, for use only with HP Compaq nc8230 and nc8220 models	382688-001

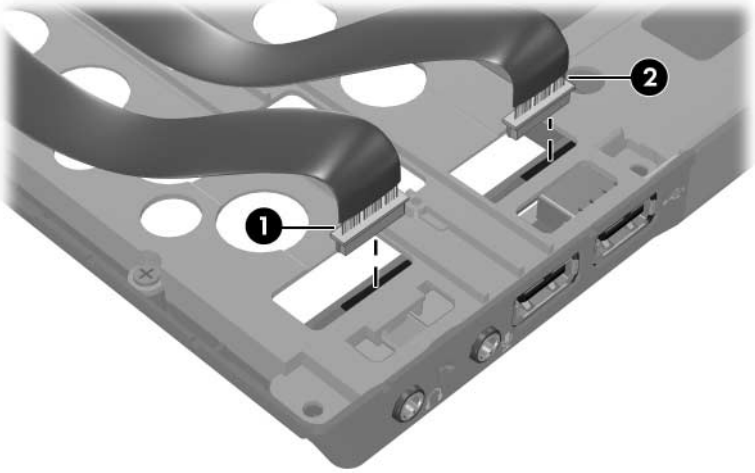


When replacing the system board, ensure that the following components are removed from the defective system board and installed on the replacement system board:

- Memory modules ([Section 5.7](#) and [Section 5.16](#))
 - Processor ([Section 5.14](#))
 - TPM security card ([Section 5.15](#))
 - Mini PCI communications card ([Section 5.18](#))
 - Modem board ([Section 5.21](#))
-

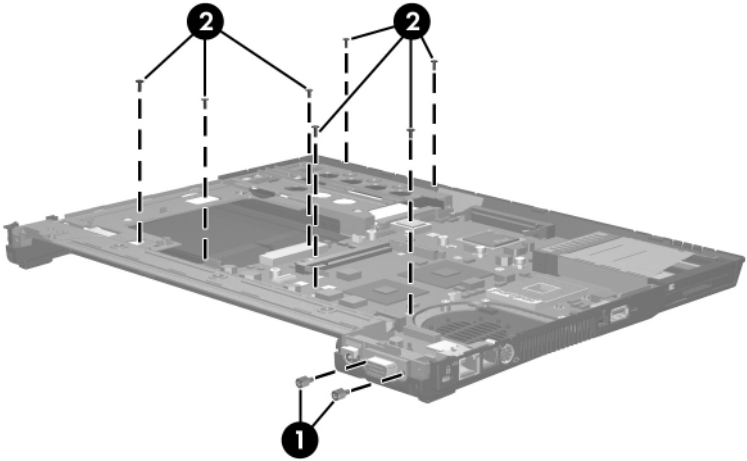
1. Prepare the notebook for disassembly ([Section 5.3](#)) and remove the following components:
 - a. Hard drive ([Section 5.4](#))
 - b. MultiBay II device ([Section 5.6](#))
 - c. Bluetooth board ([Section 5.8](#))
 - d. Keyboard ([Section 5.9](#))
 - e. Switch cover ([Section 5.10](#))
 - f. Thermal plate ([Section 5.12](#))
 - g. Heat sink ([Section 5.13](#))
 - h. TouchPad ([Section 5.17](#))
 - i. Display assembly ([Section 5.19](#))
 - j. Top cover ([Section 5.20](#))

2. Disconnect the RTC battery cable from the system board ([Section 5.11](#)).
3. Position the notebook with the front panel toward you.
4. Disconnect the audio board cables **1** and **2** from the audio board.



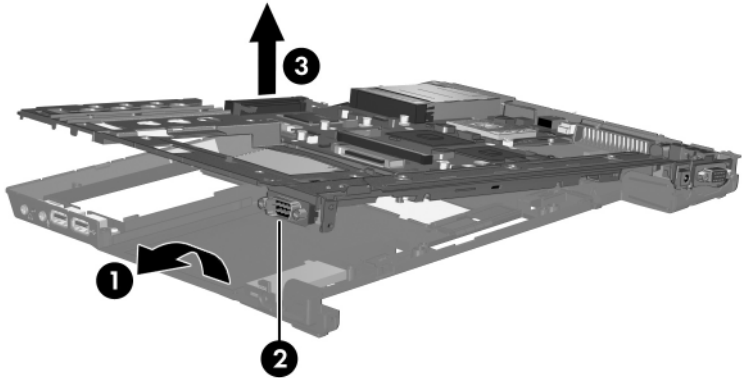
Disconnecting the Audio Board Cables

5. Position the notebook with the rear panel toward you.
6. Remove the following:
 - ❶ Two HM5.0×10.0 screw locks on each side of the external monitor connector
 - ❷ Seven T8M2.0×6.0 screws



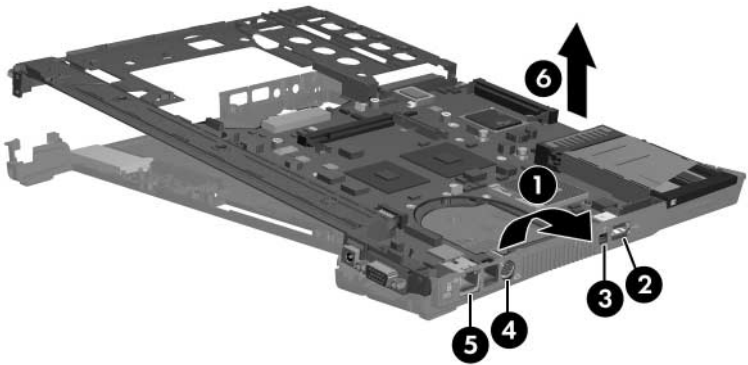
Removing the System Board Screws and Screw Locks

7. Flex the left side of the base enclosure **1** until the serial connector **2** is clear of the base enclosure.
8. Lift the left side of the system board **3** until it rests at an angle.



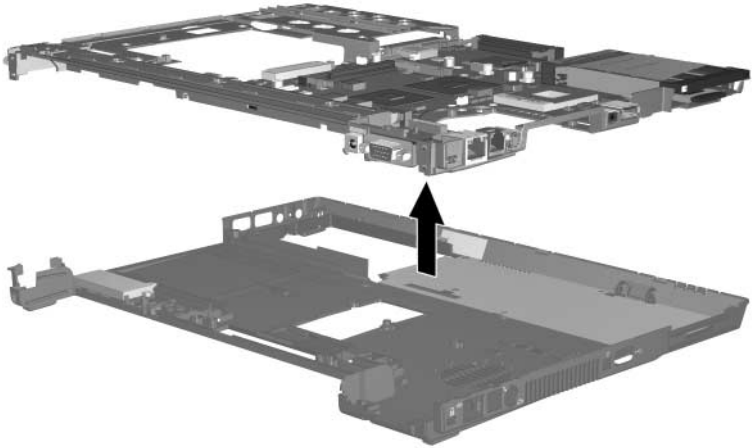
Releasing the System Board, Part 1

9. Flex the right side of the base enclosure **1** until the USB **2**, 1394 **3**, S-Video **4**, and RJ-45 connectors **5** are clear of the base enclosure.
10. Lift the right side of the system board **6** until it rests at an angle.



Releasing the System Board, Part 2

11. Lift the system board straight up and remove it.



Removing the System Board

Reverse the above procedure to install the system board.

5.23 System Board Frame

System Board Frame Spare Part Number Information

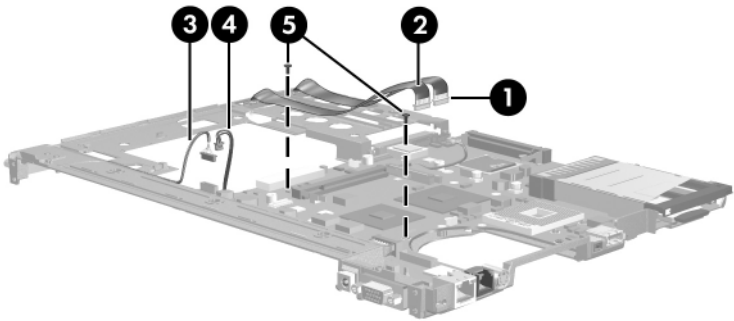
System board frame (includes RJ-11 modem cable)	382689-001
---	------------

1. Prepare the notebook for disassembly ([Section 5.3](#)) and remove the following components:
 - a. Hard drive ([Section 5.4](#))
 - b. MultiBay II device ([Section 5.6](#))
 - c. Bluetooth board ([Section 5.8](#))
 - d. Switch cover ([Section 5.10](#))
 - e. Keyboard ([Section 5.9](#))
 - f. Thermal plate ([Section 5.12](#))
 - g. Heat sink ([Section 5.13](#))
 - h. TouchPad ([Section 5.17](#))
 - i. Display assembly ([Section 5.19](#))
 - j. Top cover ([Section 5.20](#))
 - k. System board ([Section 5.22](#))

2. Disconnect the following cables from the system board:

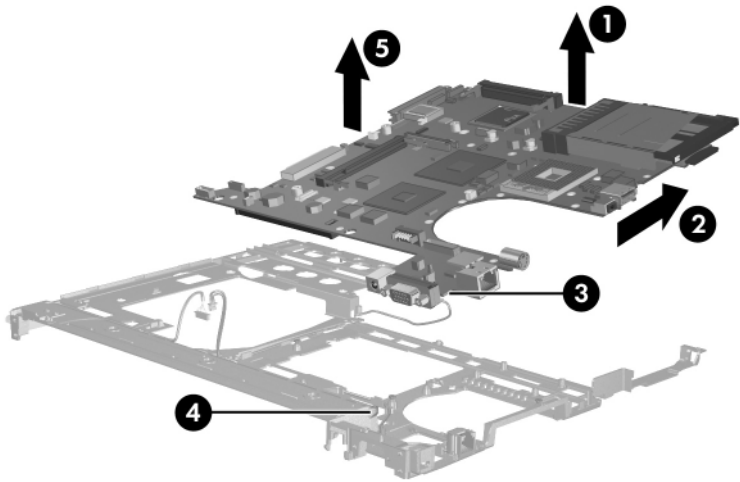
- ❶ Audio connector board cable
- ❷ USB connector board cable
- ❸ Serial connector board cable
- ❹ Modem cable

3. Remove the two T8M2.0×4.0 screws ❺ that secure the system board to the system board frame.



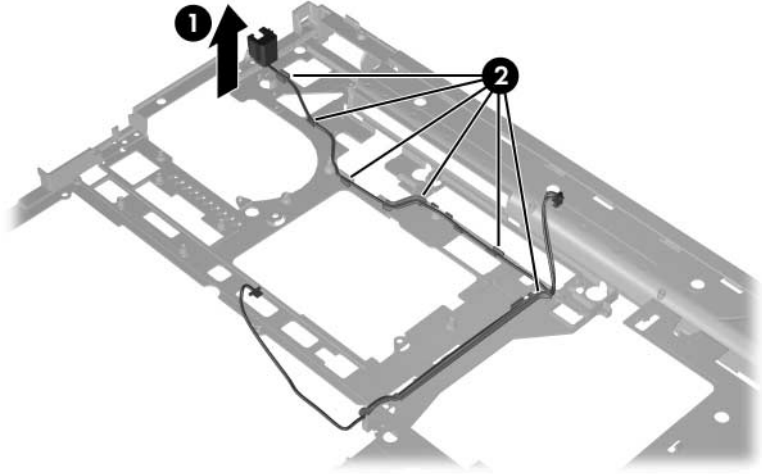
Disconnecting the System Board Cables

4. Lift the rear edge of the system board **1** until it rests at an angle.
5. Slide the system board back **2** until the front-right section of the system board **3** is clear of the screw boss **4** on the system board frame.
6. Remove the system board **5** from the system board frame.



Removing the System Board from the System Board Frame

7. If necessary, remove the RJ-11 connector module and cable ❶ from the clips ❷ in the system board frame.



Removing the RJ-11 Connector Module and Cable

Reverse the above procedures to install the system board frame.

5.24 Push Button Module

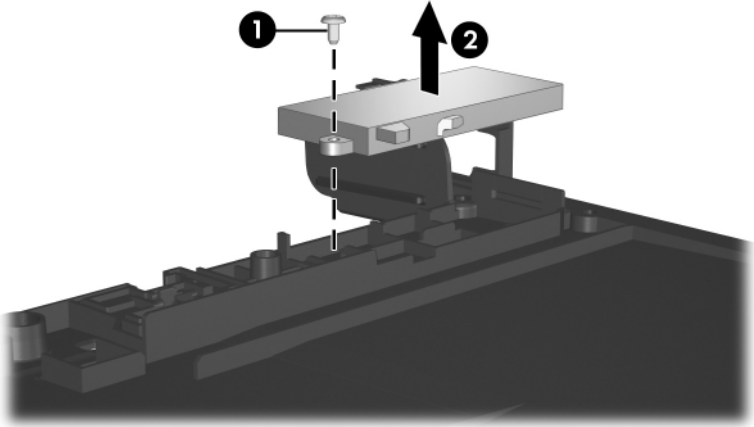
Push Button Module Spare Part Number Information

Push button module

382693-001

1. Prepare the notebook for disassembly ([Section 5.3](#)) and remove the following components:
 - a. Hard drive ([Section 5.4](#))
 - b. MultiBay II device ([Section 5.6](#))
 - c. Bluetooth board ([Section 5.8](#))
 - d. Switch cover ([Section 5.10](#))
 - e. Keyboard ([Section 5.9](#))
 - f. Thermal plate ([Section 5.12](#))
 - g. Heat sink ([Section 5.13](#))
 - h. TouchPad ([Section 5.17](#))
 - i. Display assembly ([Section 5.19](#))
 - j. Top cover ([Section 5.20](#))
 - k. System board ([Section 5.22](#))

2. Remove the PM2.0×6.0 screw ❶ that secures the push button module to the base enclosure.
3. Remove the push button module ❷.



Removing the Push Button Module

Reverse the above procedures to install the push button module.

5.25 Serial Connector Module

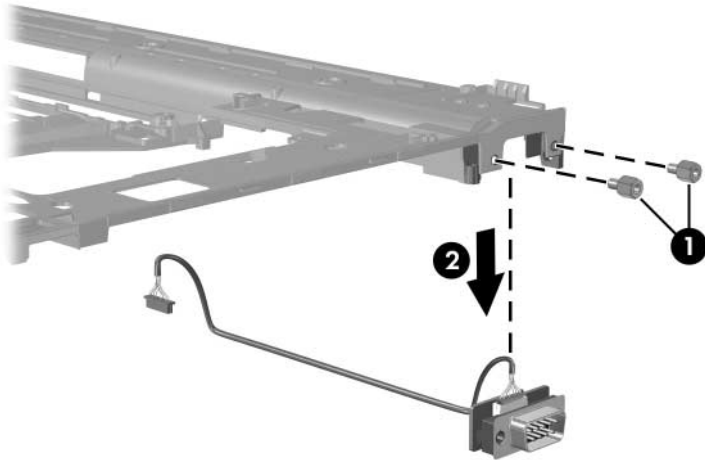
Serial Connector Module Spare Part Number Information

Serial connector module

382690-001

1. Prepare the notebook for disassembly ([Section 5.3](#)) and remove the following components:
 - a. Hard drive ([Section 5.4](#))
 - b. MultiBay II device ([Section 5.6](#))
 - c. Bluetooth board ([Section 5.8](#))
 - d. Switch cover ([Section 5.10](#))
 - e. Keyboard ([Section 5.9](#))
 - f. Thermal plate ([Section 5.12](#))
 - g. Heat sink ([Section 5.13](#))
 - h. TouchPad ([Section 5.17](#))
 - i. Display assembly ([Section 5.19](#))
 - j. Top cover ([Section 5.20](#))
 - k. System board ([Section 5.22](#))

2. Remove the two HM5.0×10.0 screw locks ❶ that secure the serial connector module to the system board frame.
3. Remove the serial connector module ❷ from the system board frame.



Removing the Serial Connector Module and Cable

Reverse the above procedure to install the serial connector module.

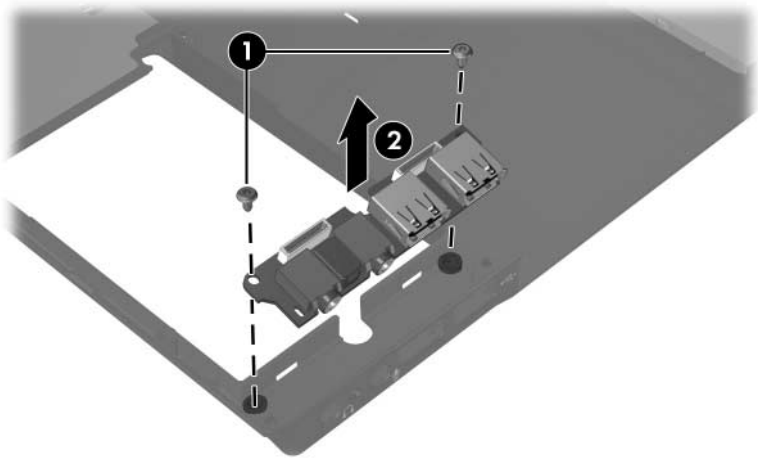
5.26 Audio Board

Audio Board Spare Part Number Information

Audio board (includes audio board cable)	382677-001
--	------------

1. Prepare the notebook for disassembly ([Section 5.3](#)) and remove the following components:
 - a. Hard drive ([Section 5.4](#))
 - b. MultiBay II device ([Section 5.6](#))
 - c. Bluetooth board ([Section 5.8](#))
 - d. Switch cover ([Section 5.10](#))
 - e. Keyboard ([Section 5.9](#))
 - f. Thermal plate ([Section 5.12](#))
 - g. Heat sink ([Section 5.13](#))
 - h. TouchPad ([Section 5.17](#))
 - i. Display assembly ([Section 5.19](#))
 - j. Top cover ([Section 5.20](#))
 - k. System board ([Section 5.22](#))

2. Remove the two T8M2.0×4.0 screws **1** that secure the audio board to the base enclosure.
3. Lift the left side of the audio board **2** to disengage it from the base enclosure.



Removing the Audio Board

Reverse the above procedure to install the audio board.

Specifications

This chapter provides physical and performance specifications.

Table 6-1
Notebook

Dimensions	Metric	U.S.
Height	35.6 cm	14.02 in
Width	26.0 cm	10.24 in
Depth (front to back)	2.8 to 3.4 cm	1.1 to 1.34 in
Weight		
Full-featured model with optical drive and 8-cell battery pack	2.85 kg	6.25 lbs
Defeatured model with 8-cell battery pack	2.60 kg	5.73 lbs
Input Power		
Operating voltage	18.5 V dc @ 3.5 A - 90 W	
Operating current	3.5 A	
Temperature		
Operating (not writing to optical disc)	0°C to 35°C	32°F to 95°F
Operating (writing to optical disc)	5°C to 35°C	41°F to 95°F
Nonoperating	-20°C to 60°C	-4°F to 140°F

Table 6-1
Notebook (Continued)

Relative humidity (noncondensing)

Operating	10% to 90%	10% to 90%
Nonoperating	5% to 95%	5% to 95%

Maximum altitude (unpressurized)

Operating (14.7 to 10.1 psia)	-15 m to 3,048 m	-50 ft to 10,000 ft
Nonoperating (14.7 to 4.4 psia)	-15 m to 12,192 m	-50 ft to 40,000 ft

Shock

Operating	125 g, 2 ms, half-sine
Nonoperating	200 g, 2 ms, half-sine

Random Vibration

Operating	0.75 g zero-to-peak, 10 Hz to 500 Hz, 0.25 oct/min sweep rate
Nonoperating	1.50 g zero-to-peak, 10 Hz to 500 Hz, 0.5 oct/min sweep rate



Applicable product safety standards specify thermal limits for plastic surfaces. The notebook operates well within this range of temperatures.

Table 6-2
15.4-inch, WSXGA, TFT Display

Dimensions		
Height	20.7 cm	8.1 in
Width	33.1 cm	13.0 in
Diagonal	39.1 cm	15.4 in
Number of colors		Up to 16.8 million
Contrast ratio		200:1
Brightness		180 nits typical
Pixel resolution		
Pitch	0.197 × 0.197 mm	
Format	1680 × 1050	
Configuration	RGB vertical stripe	
Backlight		Edge lit
Character display		80 × 25
Total power consumption		5.5 W
Viewing angle		+/-65° horizontal, +/-50° vertical typical

Table 6-3
15.4-inch, WXGA, TFT Display

Dimensions		
Height	20.7 cm	8.1 in
Width	33.1 cm	13.0 in
Diagonal	39.1 cm	15.4 in
Number of colors	Up to 16.8 million	
Contrast ratio	200:1	
Brightness	180 nits typical	
Pixel resolution		
Pitch	0.259 × 0.259 mm	
Format	1280 × 800	
Configuration	RGB vertical stripe	
Backlight	Edge lit	
Character display	80 × 25	
Total power consumption	5.5 W	
Viewing angle	+/-65° horizontal, +50° vertical typical	

Table 6-4
15.4-inch, UXGA, TFT Display

Dimensions		
Height	20.7 cm	8.1 in
Width	33.1 cm	13.0 in
Diagonal	39.1 cm	15.4 in
Number of colors		Up to 16.8 million
Contrast ratio		200:1
Brightness		180 nits typical
Pixel resolution		
Pitch	0.279 × 0.279 mm	
Format	1600 × 1200	
Configuration	RGB vertical stripe	
Backlight		Edge lit
Character display		80 × 25
Total power consumption		5.5 W
Viewing angle		+/-65° horizontal, +50° vertical typical

Table 6-5
Hard Drives

	60-GB*	80-GB*	60-GB*	40-GB*
Dimensions				
Height	9.5 mm	9.5 mm	9.5 mm	9.5 mm
Width	70 mm	70 mm	70 mm	70 mm
Weight	102 g	99 g	102 g	99 g
Interface type				
	ATA-5	ATA-5	ATA-5	ATA-5
Transfer rate				
Synchronous (maximum)	100 MB/sec	100 MB/sec	100 MB/sec	100 MB/sec
Security	ATA security	ATA security	ATA security	ATA security



Certain restrictions and exclusions apply. Consult Customer Care for details.

*1 GB = 1 billion bytes when referring to hard drive storage capacity. Actual accessible capacity is less.

†Actual drive specifications may differ slightly.

Table 6-5
Hard Drives (Continued)

	60-GB*	80-GB*	60-GB*	40-GB*
Seek times (typical read, including setting)				
Single track	3 ms	3 ms	3 ms	3 ms
Average	13 ms	13 ms	13 ms	13 ms
Maximum	24 ms	24 ms	24 ms	24 ms
Logical blocks [†]	117,210,240	156,301,488	117,210,240	78,140,160
Disk rotational speed	5400 rpm	7200 rpm	5400 rpm	5400 rpm
Operating temperature	5°C to 55°C (41°F to 131°F)			



Certain restrictions and exclusions apply. Consult Customer Care for details.

*1 GB = 1 billion bytes when referring to hard drive storage capacity. Actual accessible capacity is less.

[†]Actual drive specifications may differ slightly.

Table 6-6
Primary 8-cell, Li-Ion Battery Pack

Dimensions

Height	2.00 cm	0.79 in
Width	9.40 cm	3.70 in
Depth	13.40 cm	5.28 in
Weight	0.34 kg	0.75 lb

Energy

Voltage	11.1 V
Amp-hour capacity	4.4 Ah
Watt-hour capacity	48 Wh

Temperature

Operating	5°C to 45°C	41°F to 113°F
Nonoperating	0°C to 60°C	32°F to 140°F

Table 6-7
DVD-ROM Drive

Applicable disc	DVD-ROM (DVD-5, DVD-9, DVD-10, DVD-18) CD-ROM (Mode 1 and 2) CD Digital Audio CD-XA ready (Mode 2, Form 1 and 2) CD-I ready (Mode 2, Form 1 and 2) CD-R CD-RW Photo CD (single and multisession) CD-Bridge	
Center hole diameter	1.5 cm (0.59 in)	
Disc diameter		
Standard disc	12 cm (4.72 in)	
Mini disc	8 cm (3.15 in)	
Disc thickness	1.2 mm (0.047 in)	
Track pitch	0.74 μ m	
Access time	CD	DVD
Random	< 100 ms	< 125 ms
Full stroke	< 175 ms	< 225 ms
Audio output level	Line-out, 0.7 Vrms	
Cache buffer	512 KB	
Data transfer rate		
CD-R (24X)	3600 KB/s (150 KB/s at 1X CD rate)	
CD-RW (10X)	1500 KB/s (150 KB/s at 1X CD rate)	
CD-ROM (24X)	3600 KB/s (150 KB/s at 1X CD rate)	
DVD (8X)	10,800 KB/s (1,352 KB/s at 1X DVD rate)	
Multiword DMA mode 2	16.6 MB/s	
Startup time	< 10 seconds	
Stop time	< 3 seconds	

Table 6-8
DVD/CD-RW Combo Drive

Applicable disc	Read:	Write:
	DVD-R, DVD-RW, DVD-ROM (DVD-5, DVD-9, DVD-10, DVD-18), CD-ROM (Mode 1 and 2) CD Digital Audio CD-XA ready (Mode 2, Form 1 and 2) CD-I ready (Mode 2, Form 1 and 2) CD-R, CD-RW Photo CD (single and multisession) CD-Bridge	CD-R and CD-RW
Center hole diameter	1.5 cm (0.59 in)	
Disc diameter		
Standard disc	12 cm (4.72 in)	
Mini disc	8 cm (3.15 in)	

Table 6-8
DVD/CD-RW Combo Drive (Continued)

Disc thickness	1.2 mm (0.047 in)	
Track pitch	0.74 μ m	
Access time	CD media	DVD media
Random	< 110 ms	< 130 ms
Full stroke	< 210 ms	< 225 ms
Audio output level	Line-out, 0.7 V rms	
Cache buffer	2 MB	
Data transfer rate		
CD-R (24X)	3600 KB/s (150 KB/s at 1X CD rate)	
CD-RW (10X)	1500 KB/s (150 KB/s at 1X CD rate)	
CD-ROM (24X)	3600 KB/s (150 KB/s at 1X CD rate)	
DVD (8X)	10,800 KB/s (1352 KB/s at 1X DVD rate)	
Multiword DMA mode 2	16.6 MB/s	
Startup time	< 15 seconds	
Stop time	< 6 seconds	

Table 6-9
DVD+RW/R and CD-RW Combo Drive

Applicable disc	Read:	Write:
	DVD-R, DVD-RW, DVD-ROM (DVD-5, DVD-9, DVD-10, DVD-18), CD-ROM (Mode 1 and 2) CD Digital Audio CD-XA ready (Mode 2, Form 1 and 2) CD-I ready (Mode 2, Form 1 and 2) CD-R, CD-RW Photo CD (single and multisession) CD-Bridge	CD-R and CD-RW DVD-R and DVD-RW
Center hole diameter	1.5 cm (0.59 in)	
Disc diameter		
Standard disc	12 cm (4.72 in)	
Mini disc	8 cm (3.15 in)	

Table 6-9
DVD+RW/R and CD-RW Combo Drive (*Continued*)

Disc thickness	1.2 mm (0.047 in)	
Track pitch	0.74 μ m	
Access time	CD	DVD
Random	< 175 ms	< 230 ms
Full stroke	< 285 ms	< 335 ms
Audio output level	Audio-out, 0.7 Vrms	
Cache buffer	2 MB	
Data transfer rate		
CD-R (16X)	2,400 KB/s (150 KB/s at 1X CD rate)	
CD-RW (8X)	1,200 KB/s (150 KB/s at 1X CD rate)	
CD-ROM (24X)	3,600 KB/s (150 KB/s at 1X CD rate)	
DVD (8X)	10,800 KB/s (1,352 KB/s at 1X DVD rate)	
DVD-R (4X)	5,400 KB/s (1,352 KB/s at 1X DVD rate)	
DVD-RW (2X)	2,700 KB/s (1,352 KB/s at 1X DVD rate)	
Multiword DMA mode 2	16.6 MB/s	
Startup time	< 15 seconds	
Stop time	< 6 seconds	

Table 6-10
System DMA

Hardware DMA	System Function
DMA0	Not applicable
DMA1*	Not applicable
DMA2*	Not applicable
DMA3	Not applicable
DMA4	Direct memory access controller
DMA5*	Available for PC Card
DMA6	Not assigned
DMA7	Not assigned

*PC Card controller can use DMA 1, 2, or 5.

Table 6-11
System Interrupts

Hardware IRQ	System Function
IRQ0	System timer
IRQ1	Standard 101-/102-Key or Microsoft Natural Keyboard
IRQ2	Cascaded
IRQ3	Intel 82801DB/DBM USB2 Enhanced Host Controller—24CD
IRQ4	COM1
IRQ5*	Conexant AC—Link Audio Intel 82801DB/DBM SMBus Controller—24C3 Data Fax Modem with SmartCP
IRQ6	Diskette drive
IRQ7*	Parallel port
IRQ8	System CMOS/real-time clock
IRQ9*	Microsoft ACPI-compliant system
IRQ10*	Intel USB UHCI controller—24C2 Intel 82852/82855 GM/GME Graphic Controller Realtek RTL8139 Family PCI fast Ethernet Controller

Table 6-11
System Interrupts (Continued)

Hardware IRQ	System Function
IRQ11	Intel USB EHCI controller—24CD Intel USB UHCI controller—24C4 Intel USB UHCI controller—24C7 Intel Pro/Wireless 2200BG TI OHCI 1394 host controller TI PCI1410 CardBus controller
IRQ12	Synaptics PS/2 TouchPad
IRQ13	Numeric data processor
IRQ14	Primary IDE channel
IRQ15	Secondary IDE channel

*Default configuration; audio possible configurations are IRQ5, IRQ7, IRQ9, IRQ10, or none.



PC Cards may assert IRQ3, IRQ4, IRQ5, IRQ7, IRQ9, IRQ10, IRQ11, or IRQ15. Either the infrared or the serial port may assert IRQ3 or IRQ4.

Table 6-12
System I/O Addresses

I/O Address (hex)	System Function (shipping configuration)
000 - 00F	DMA controller no. 1
010 - 01F	Unused
020 - 021	Interrupt controller no. 1
022 - 024	Opti chipset configuration registers
025 - 03F	Unused
02E - 02F	87334 "Super I/O" configuration for CPU
040 - 05F	Counter/timer registers
044 - 05F	Unused
060	Keyboard controller
061	Port B
062 - 063	Unused
064	Keyboard controller
065 - 06F	Unused
070 - 071	NMI enable/RTC
072 - 07F	Unused
080 - 08F	DMA page registers
090 - 091	Unused
092	Port A
093 - 09F	Unused
0A0 - 0A1	Interrupt controller no. 2

Table 6-12
System I/O Addresses (Continued)

I/O Address (hex)	System Function (shipping configuration)
0A2 - 0BF	Unused
0C0 - 0DF	DMA controller no. 2
0E0 - 0EF	Unused
0F0 - 0F1	Coprocessor busy clear/reset
0F2 - 0FF	Unused
100 - 16F	Unused
170 - 177	Secondary fixed disk controller
178 - 1EF	Unused
1F0 - 1F7	Primary fixed disk controller
1F8 - 200	Unused
201	Joystick (decoded in ESS1688)
202 - 21F	Unused
220 - 22F	Entertainment audio
230 - 26D	Unused
26E - 26	Unused
278 - 27F	Unused
280 - 2AB	Unused
2A0 - 2A7	Unused
2A8 - 2E7	Unused
2E8 - 2EF	Reserved serial port

Table 6-12
System I/O Addresses (*Continued*)

I/O Address (hex)	System Function (shipping configuration)
2F0 - 2F7	Unused
2F8 - 2FF	Infrared port
300 - 31F	Unused
320 - 36F	Unused
370 - 377	Secondary diskette drive controller
378 - 37F	Parallel port (LPT1/default)
380 - 387	Unused
388 - 38B	FM synthesizer—OPL3
38C - 3AF	Unused
3B0 - 3BB	VGA
3BC - 3BF	Reserved (parallel port/no EPP support)
3C0 - 3DF	VGA
3E0 - 3E1	PC Card controller in CPU
3E2 - 3E3	Unused
3E8 - 3EF	Internal modem
3F0 - 3F7	“A” diskette controller
3F8 - 3FF	Serial port (COM1/default)
CF8 - CFB	PCI configuration index register (PCIDIVO-1)
CFC - CFF	PCI configuration data register (PCIDIVO-1)

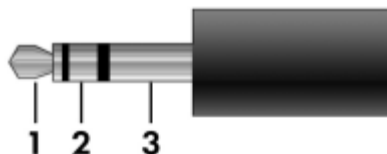
Table 6-13
System Memory Map

Size	Memory Address	System Function
640 KB	00000000-0009FFFF	Base memory
128 KB	000A0000-000BFFFF	Video memory
48 KB	000C0000-000CBFFF	Video BIOS
160 KB	000C8000-000E7FFF	Unused
64 KB	000E8000-000FFFFF	System BIOS
15 MB	00100000-00FFFFFF	Extended memory
58 MB	01000000-047FFFFF	Super extended memory
58 MB	04800000-07FFFFFF	Unused
2 MB	08000000-080FFFFF	Video memory (direct access)
4 GB	08200000-FFFEFFFF	Unused
64 KB	FFFF0000-FFFFFFFF	System BIOS

A

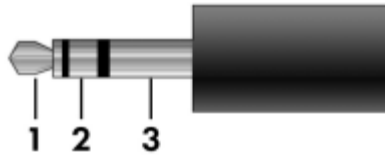
Connector Pin Assignments

Table A-1
Audio-Out (Headphone)



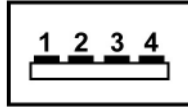
Pin	Signal	Pin	Signal
1	Audio out, left channel	3	Ground
2	Audio out, right channel		

Table A-2
Audio-In (Microphone)



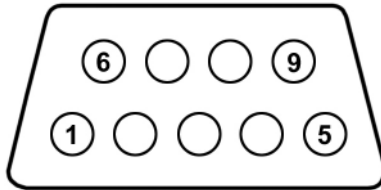
Pin	Signal	Pin	Signal
1	Audio signal in	3	Ground
2	Audio signal in		

Table A-3
Universal Serial Bus



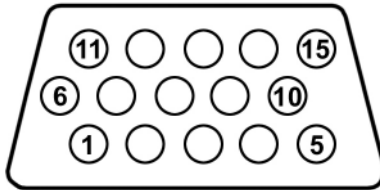
Pin	Signal	Pin	Signal
1	+5 VDC	3	Data +
2	Data -	4	Ground

Table A-4
Serial



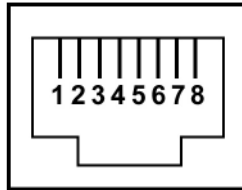
Pin	Signal	Pin	Signal
1	Carrier detect	6	Data set ready
2	Receive data	7	Ready to send
3	Transmit data	8	Clear to send
4	Data terminal ready	9	Ring indicator
5	Ground		

Table A-5
External Monitor



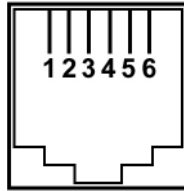
Pin	Signal	Pin	Signal
1	Red analog	9	+5 VDC
2	Green analog	10	Ground
3	Blue analog	11	Monitor detect
4	Not connected	12	DDC 2B data
5	Ground	13	Horizontal sync
6	Ground analog	14	Vertical sync
7	Ground analog	15	DDC 2B clock
8	Ground analog		

Table A-6
RJ-45 (Network)



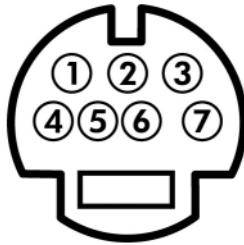
Pin	Signal	Pin	Signal
1	Transmit +	5	Unused
2	Transmit –	6	Receive –
3	Receive +	7	Unused
4	Unused	8	Unused

Table A-7
RJ-11 (Modem)



Pin	Signal	Pin	Signal
1	Unused	4	Unused
2	Tip	5	Unused
3	Ring	6	Unused

Table A-8
S-Video-Out



Pin	Signal	Pin	Signal
1	S-VHS color (C) signal	5	TV-CD
2	Composite video signal	6	S-VHS intensity ground
3	S-VHS intensity (Y) signal	7	Composite video ground
4	S-VHS color ground		

Power Cord Set Requirements

3-Conductor Power Cord Set

The wide range input feature of the notebook permits it to operate from any line voltage from 100 to 120 or 220 to 240 volts AC.

The power cord set included with the notebook meets the requirements for use in the country where the equipment is purchased.

Power cord sets for use in other countries must meet the requirements of the country where the notebook is used.

General Requirements

The requirements listed below are applicable to all countries.

- The length of the power cord set must be at least 1.5 m (5.0 ft) and a maximum of 2.0 m (6.5 ft).
- All power cord sets must be approved by an acceptable accredited agency responsible for evaluation in the country where the power cord set will be used.
- The power cord sets must have a minimum current capacity of 10 amps and a nominal voltage rating of 125 or 250 V AC, as required by each country's power system.
- The appliance coupler must meet the mechanical configuration of an EN 60 320/IEC 320 Standard Sheet C13 connector for mating with the appliance inlet on the back of the notebook.

Country-Specific Requirements

3-Conductor Power Cord Set Requirements

Country	Accredited Agency	Applicable Note Number
Australia	EANSW	1
Austria	OVE	1
Belgium	CEBC	1
Canada	CSA	2
Denmark	DEMKO	1
Finland	FIMKO	1
France	UTE	1
Germany	VDE	1
Italy	IMQ	1
Japan	METI	3



NOTES:

1. The flexible cord must be <HAR> Type HO5VV-F, 3-conductor, 1.0 mm² conductor size. Power cord set fittings (appliance coupler and wall plug) must bear the certification mark of the agency responsible for evaluation in the country where it will be used.
2. The flexible cord must be Type SPT-3 or equivalent, No. 18 AWG, 3-conductor. The wall plug must be a two-pole grounding type with a NEMA 5-15P (15 A, 125 V) or NEMA 6-15P (15 A, 250 V) configuration.
3. The appliance coupler, flexible cord, and wall plug must bear a "T" mark and registration number in accordance with the Japanese Dentori Law. The flexible cord must be Type VCT or VCTF, 3-conductor, 1.00 mm² conductor size. The wall plug must be a two-pole grounding type with a Japanese Industrial Standard C8303 (7 A, 125 V) configuration.

3-Conductor Power Cord Set Requirements (*Continued*)

Country	Accredited Agency	Applicable Note Number
The Netherlands	KEMA	1
Norway	NEMKO	1
Sweden	SEMKO	1
Switzerland	SEV	1
United Kingdom	BSI	1
United States	UL	2



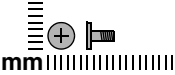
NOTES:

1. The flexible cord must be <HAR> Type HO5VV-F, 3-conductor, 1.0 mm² conductor size. Power cord set fittings (appliance coupler and wall plug) must bear the certification mark of the agency responsible for evaluation in the country where it will be used.
 2. The flexible cord must be Type SPT-3 or equivalent, No. 18 AWG, 3-conductor. The wall plug must be a two-pole grounding type with a NEMA 5-15P (15 A, 125 V) or NEMA 6-15P (15 A, 250 V) configuration.
 3. The appliance coupler, flexible cord, and wall plug must bear a “T” mark and registration number in accordance with the Japanese Dentori Law. The flexible cord must be Type VCT or VCTF, 3-conductor, 1.00 mm² conductor size. The wall plug must be a two-pole grounding type with a Japanese Industrial Standard C8303 (7 A, 125 V) configuration.
-

Screw Listing

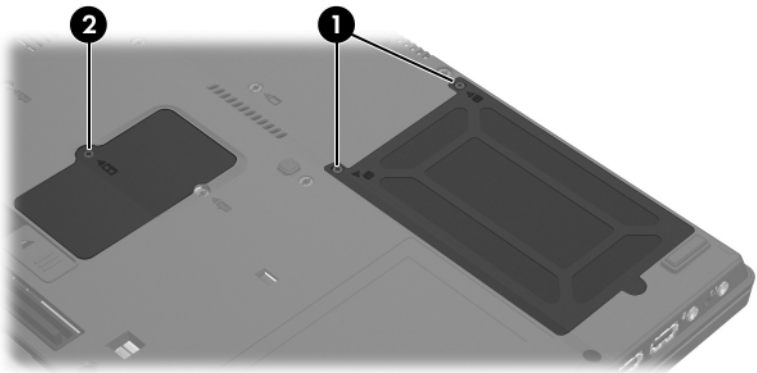
This appendix provides specification and reference information for the screws and screw locks used in the notebook. All screws and screw locks listed in this appendix are available in the Screw Kit, spare part number 382692-001.

Table C-1
Phillips PM2.0×4.0 Screw

	Color	Qty.	Length	Thread	Head Width
	Black	3	4.0 mm	2.0 mm	4.0 mm

Where used:

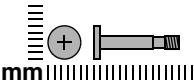
- ❶ Two screws that secure the hard drive cover to the notebook (screws are captured on the cover by C clips; documented in [Section 5.3](#))
- ❷ One screw that secures the memory module compartment cover to the notebook (screw is captured on the cover by C clips; documented in [Section 5.7](#))



Phillips PM2.0×4.0 Screw Locations

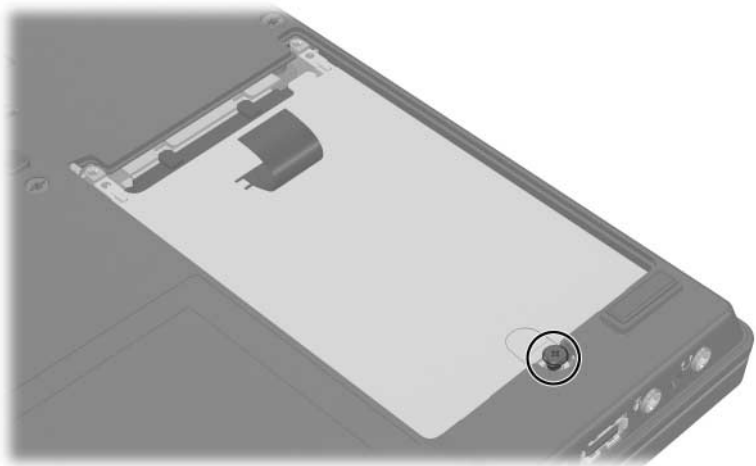
Table C-2

Phillips PM2.5×13.0 Spring-Loaded Hard Drive Retention Screw

 mm	Color	Qty.	Length	Thread	Head Width
	Black	1	13.0 mm	2.5 mm	5.0 mm

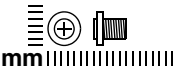
Where used:

One screw that secures the hard drive to the notebook (screw is captured on the hard drive frame by a C clip; documented in [Section 5.3](#))



Phillips PM2.5×13.0 Screw Location

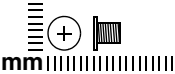
Table C-3
Phillips PM3.0x5.0 Screw

 mm	Color	Qty.	Length	Thread	Head Width
	Silver	2	5.0 mm	3.0 mm	5.0 mm

Where used:

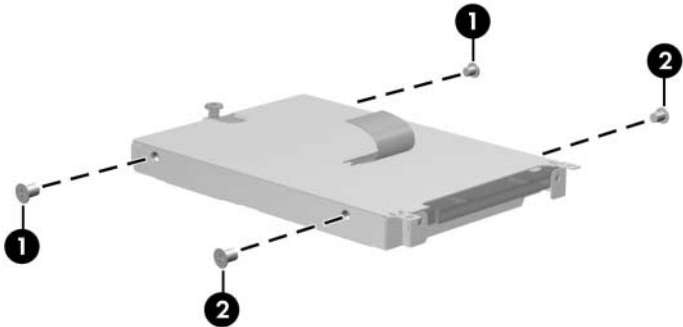
- ❶ Two screws that secure the hard drive frame to the hard drive (documented in [Section 5.3](#))

Table C-4
Phillips PM3.0x4.0 Screw

 mm	Color	Qty.	Length	Thread	Head Width
	Silver	2	5.0	3.0 mm	5.0 mm

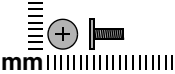
Where used:

- ❷ Two screws that secure the hard drive frame to the hard drive (documented in [Section 5.3](#))



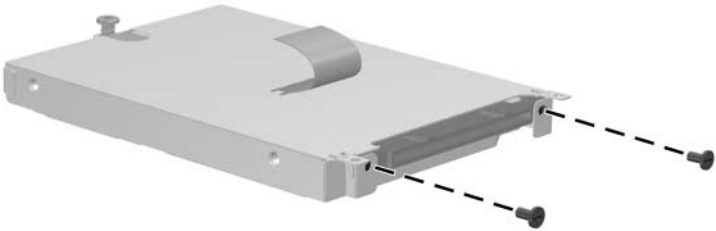
Phillips PM3.0x5.0 and PM3.0x4.0 Screw Locations

Table C-5
Phillips PM1.5×4.0 Screw

	Color	Qty.	Length	Thread	Head Width
	Black	2	5.0 mm	1.5 mm	4.5 mm


Where used:

2 screws that secure the hard drive frame to the hard drive (documented in [Section 5.3](#))



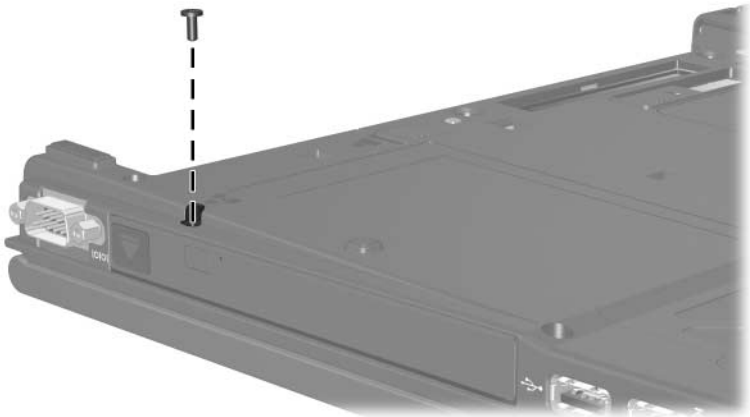
Phillips PM1.5×4.0 Screw Locations

Table C-6
Torx T8M2.0x4.0 Screw

 mm	Color	Qty.	Length	Thread	Head Width
	Black	16	4.0 mm	2.0 mm	4.5 mm

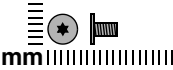

Where used:

One screw that secures the MultiBay II device to the notebook (documented in [Section 5.6](#))



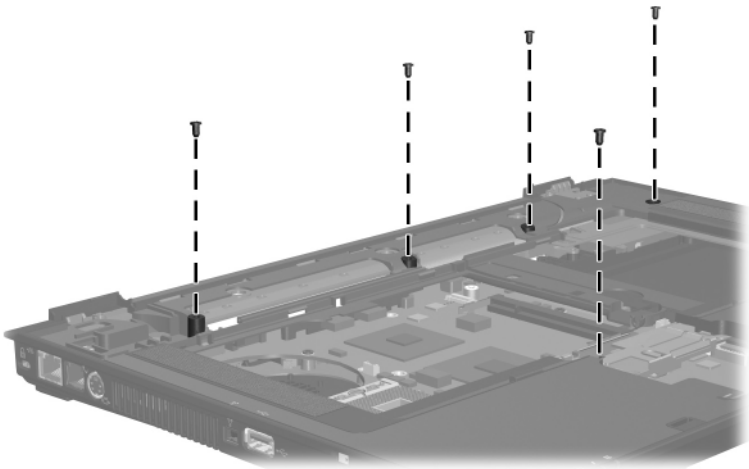
Torx T8M2.0x4.0 Screw Location

Table C-6
Torx T8M2.0×4.0 Screw (Continued)

	Color	Qty.	Length	Thread	Head Width
mm 	Black	16	4.0 mm	2.0 mm	4.5 mm

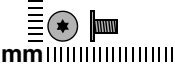
Where used:

5 screws that secure the top cover to the notebook (documented in [Section 5.20](#))



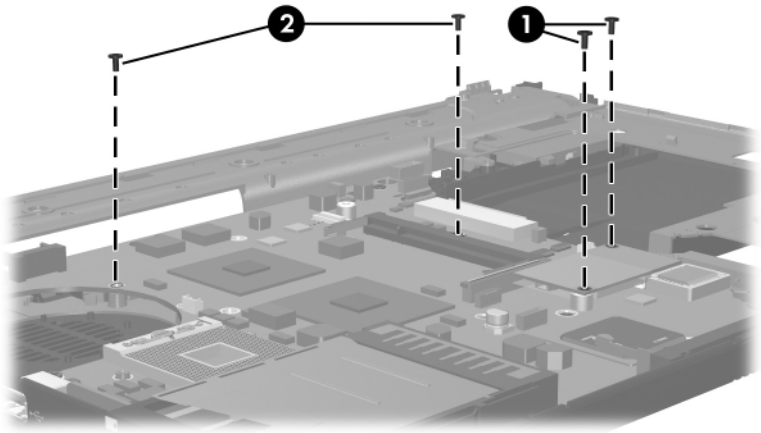
Torx T8M2.0×4.0 Screw Locations

Table C-6
Torx T8M2.0x4.0 Screw (Continued)

 mm	Color	Qty.	Length	Thread	Head Width
	Black	16	4.0 mm	2.0 mm	4.5 mm

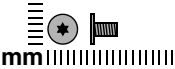
Where used:

- ❶ Two screws that secure the modem board to the notebook (documented in [Section 5.21](#))
- ❷ Two screws that secure the system board to the notebook (documented in [Section 5.22](#))



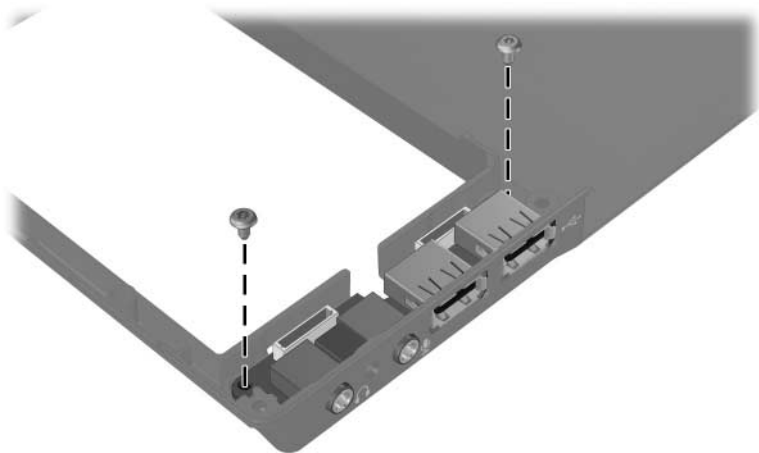
Torx T8M2.0x4.0 Screw Locations

Table C-6
Torx T8M2.0×4.0 Screw (Continued)

 mm	Color	Qty.	Length	Thread	Head Width
	Black	16	4.0 mm	2.0 mm	4.5 mm

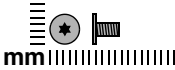
Where used:

2 screws that secure the audio board to the notebook (documented in [Section 5.26](#))



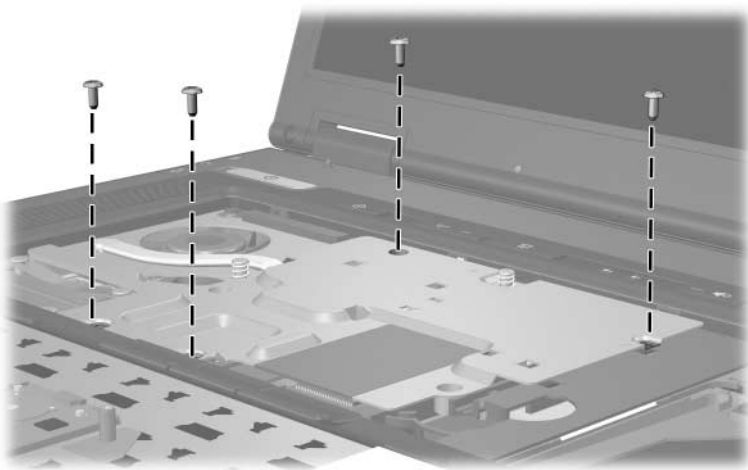
Torx T8M2.0×4.0 Screw Locations

Table C-6
Torx T8M2.0×4.0 Screw (Continued)

	Color	Qty.	Length	Thread	Head Width
mm	Black	16	4.0 mm	2.0 mm	4.5 mm

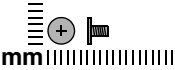
Where used:

4 screws that secure the thermal plate to the notebook (documented in [Section 5.12](#))




Torx T8M2.0×4.0 Screw Locations

Table C-7
Phillips PM1.5x3.0 Screw

 mm	Color	Qty.	Length	Thread	Head Width
	Black	9	3.0 mm	1.5 mm	4.0 mm

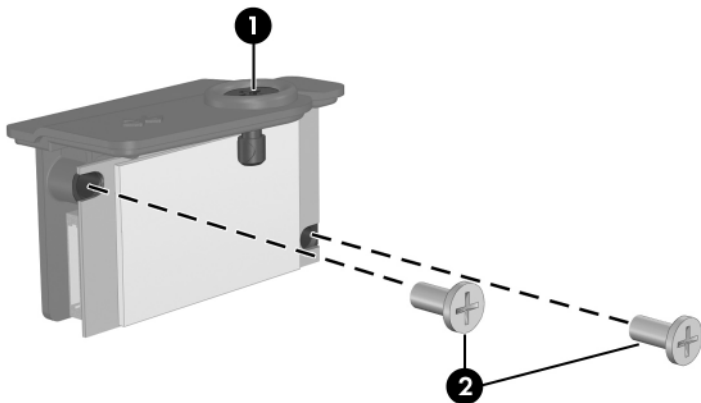
Where used:

- ① One black screw that secures the Bluetooth cover to the notebook (screw is captured on the cover by a C clip; documented in [Section 5.8](#))

 mm	Color	Qty.	Length	Thread	Head Width
	Silver	9	3.0 mm	1.5 mm	3.0 mm


Where used:

- ② Two silver screws that secure the Bluetooth board to the Bluetooth cover (documented in [Section 5.8](#))



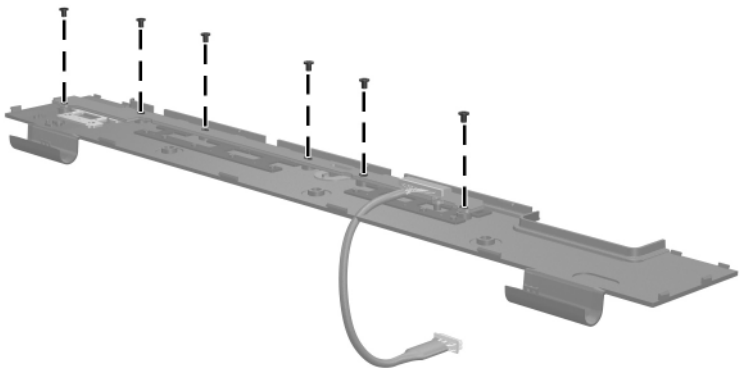
Phillips PM1.5x3.0 Screw Locations

Table C-7
Phillips PM1.5x3.0 Screw (Continued)

	Color	Qty.	Length	Thread	Head Width
	Silver	9	1.5 mm	3.0 mm	3.0 mm


Where used:

6 screws that secure the LED board to the switch cover (documented in [Section 5.10](#))



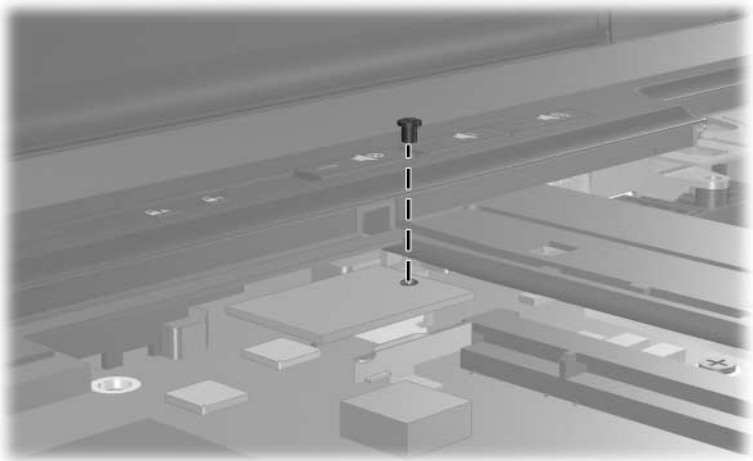
Phillips PM1.5x3.0 Screw Locations

Table C-7
Phillips PM1.5×3.0 Screw (Continued)

	Color	Qty.	Length	Thread	Head Width
mm	Silver	9	1.5 mm	3.0 mm	4.0 mm

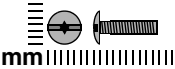
Where used:

One screw that secures the TPM security card to the notebook (documented in [Section 5.15](#))



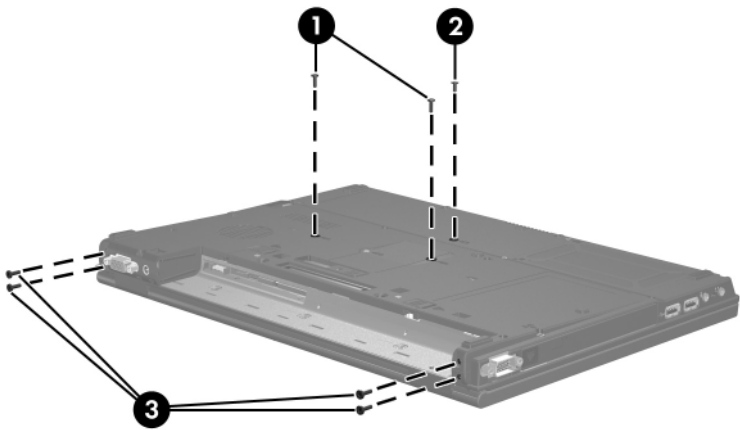
Phillips PM1.5×3.0 Screw Location

Table C-8
Torx T8M2.0×9.5 Screw

 mm	Color	Qty.	Length	Thread	Head Width
	Black	20	9.5 mm	2.0 mm	5.0 mm

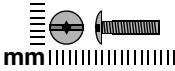
Where used:

- ❶ Two screws that secure the keyboard to the notebook (documented in [Section 5.9](#))
- ❷ One screw that secures the TouchPad to the notebook (documented in [Section 5.17](#))
- ❸ Four screws that secure the display assembly to the notebook (documented in [Section 5.19](#))



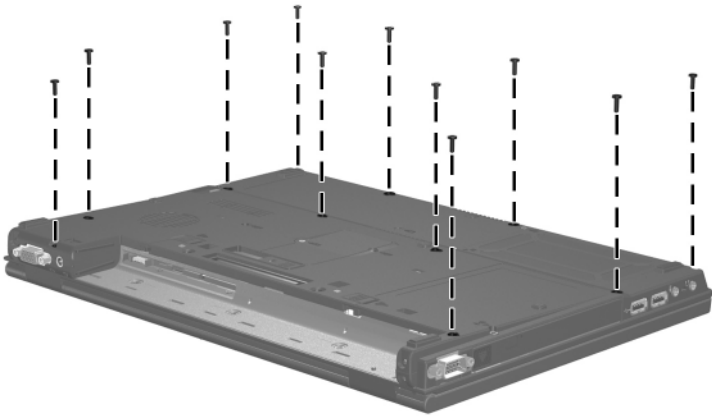
Torx T8M2.0×9.5 Screw Locations

Table C-8
Torx T8M2.0×9.5 Screw (Continued)

	Color	Qty.	Length	Thread	Head Width
	Black	20	9.5 mm	2.0 mm	5.0 mm

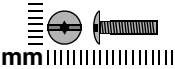
Where used:

11 screws that secure the top cover to the notebook (documented in [Section 5.20](#))



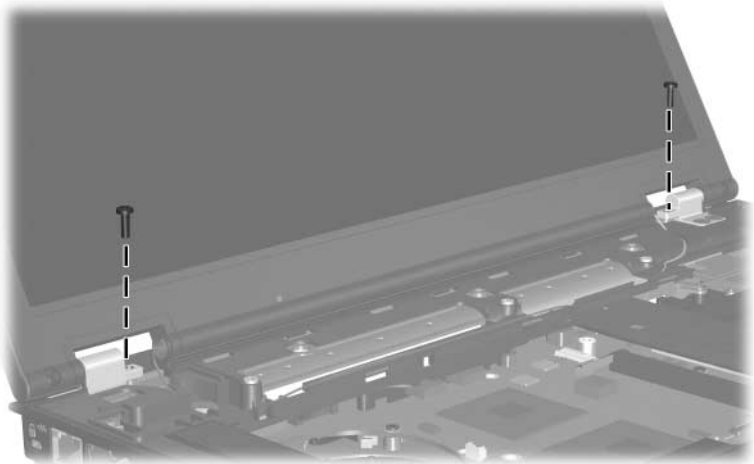
Torx T8M2.0×8.0 Screw Locations

Table C-8
Torx T8M2.0×9.5 Screw (Continued)

 mm	Color	Qty.	Length	Thread	Head Width
	Black	20	9.5 mm	2.0 mm	5.0 mm

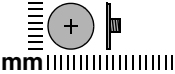
Where used:

2 screws that secure the display assembly to the notebook (documented in [Section 5.19](#))



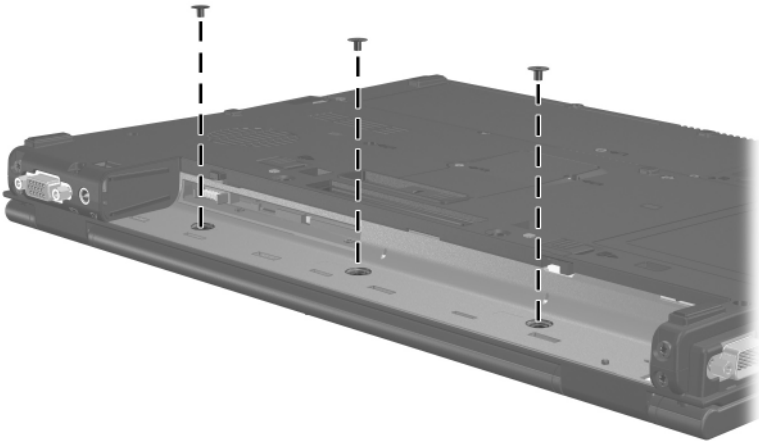
Torx T8M2.0×9.5 Screw Locations

Table C-9
Phillips PM2.0×2.0 Screw

	Color	Qty.	Length	Thread	Head Width
	Black	5	2.0 mm	2.0 mm	7.0 mm

Where used:

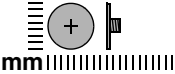
3 screws that secure the switch cover to the notebook (documented in [Section 5.10](#))



Phillips PM2.0×2.0 Screw Locations

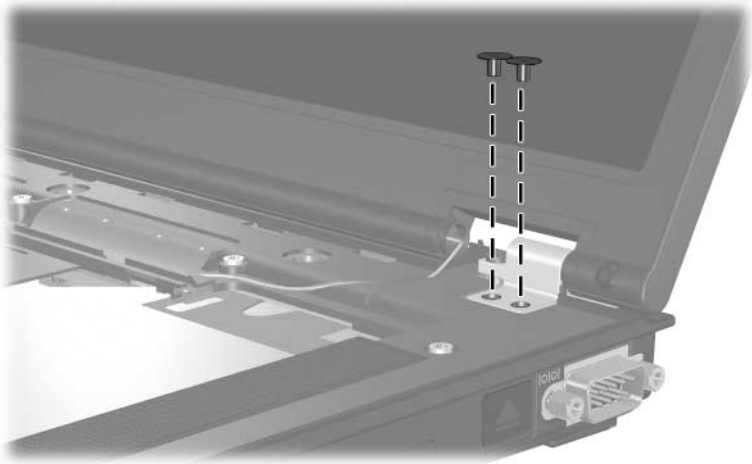
Table C-9

Phillips PM2.0x2.0 Screw (Continued)

	Color	Qty.	Length	Thread	Head Width
	Black	5	2.0 mm	2.0 mm	7.0 mm

Where used:

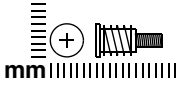
2 screws that secure the display assembly to the notebook (documented in [Section 5.19](#))



Phillips PM2.0x2.0 Screw Locations

Table C-10

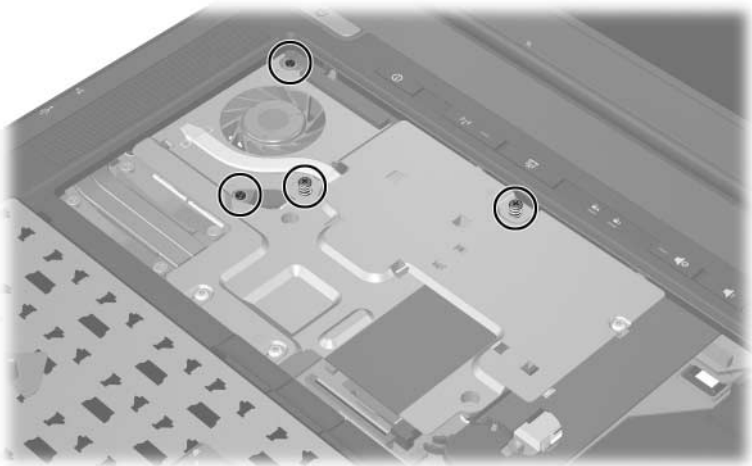
Phillips PM2.0×10.0 Spring-Loaded Screw



Color	Qty.	Length	Thread	Head Width
Silver	4	10.0 mm	2.0 mm	5.0 mm

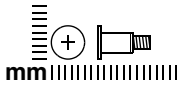
Where used:

4 screws that secure the thermal plate to the notebook (documented in [Section 5.12](#))



Phillips PM2.0×10.0 Spring-Loaded Screw Locations

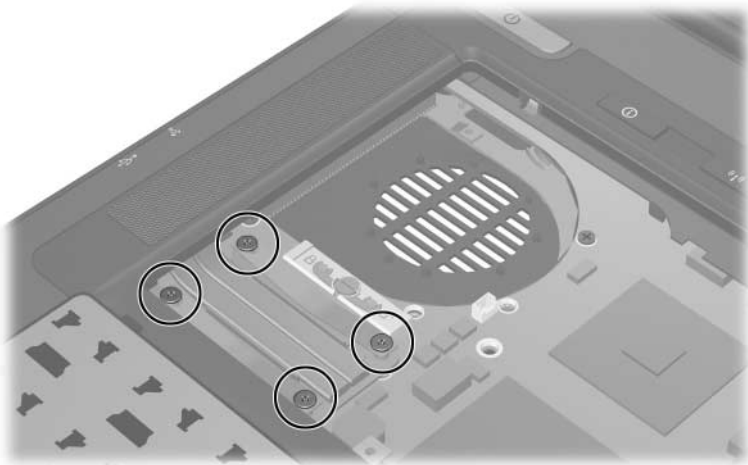
Table C-11
Phillips PM2.0x8.0 Shoulder Screw



	Color	Qty.	Length	Thread	Head Width
	Silver	4	8.0 mm	2.0 mm	5.0 mm

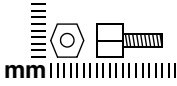
Where used:

4 screws that secure the heat sink to the notebook (screws are captured on the heat sink by C clips; documented in [Section 5.13](#))



Phillips PM2.0x8.0 Shoulder Screw Locations

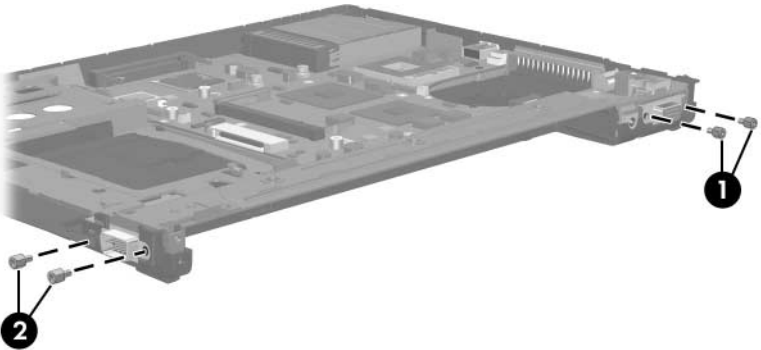
Table C-12
Hex Socket HM5.0×10.0 Screw Lock



	Color	Qty.	Length	Thread	Head Width
	Silver	4	10.0 mm	2.5 mm	5.0 mm

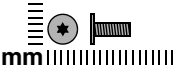
Where used:

- ❶ Two screw locks that secure the system board to the notebook (documented in [Section 5.22](#))
- ❷ Two screw locks that secure the serial connector module to the notebook (documented in [Section 5.25](#))



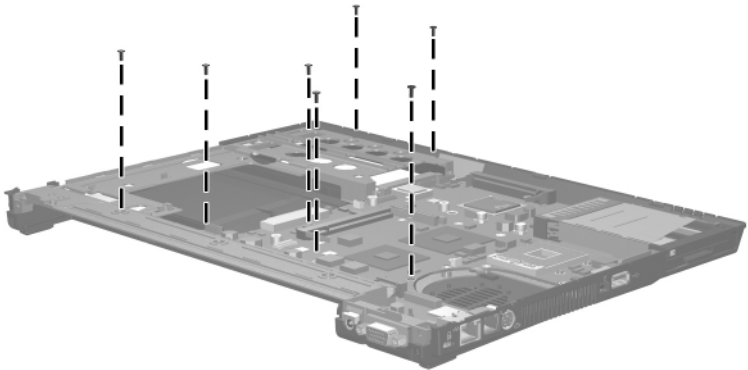
Hex Socket HM5.0×10.0 Screw Lock Locations

Table C-13
Torx T8M2.0×6.0 Screw

 mm	Color	Qty.	Length	Thread	Head Width
	Black	7	6.0 mm	2.0 mm	4.5 mm

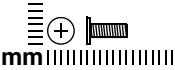
Where used:

7 screws that secure the system board to the notebook (documented in [Section 5.22](#))



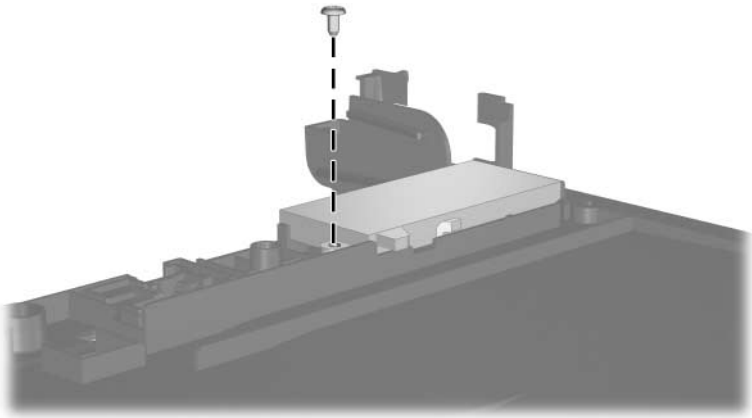
Torx T8M2.0×6.0 Screw Locations

Table C-14
Phillips PM2.0×6.0 Screw

 mm	Color	Qty.	Length	Thread	Head Width
	Silver	1	6.0 mm	2.0 mm	4.0 mm

Where used:

One screw that secures the push button module to the base enclosure (documented in [Section 5.24](#))



Phillips PM2.0×6.0 Screw Location

Index

1394 port 1–10

A

adjustable notebook stand,
spare part number 3–17,
3–20

Advanced Docking Station,
HP, spare part number 3–17,
3–21

arrow keys 1–13

audio board
removal 5–67
spare part number 3–13,
3–24, 5–67

audio board cable, illustrated
3–15

audio troubleshooting 2–23

audio-in jack
location 1–8
pin assignments A–2

audio-out jack
location 1–8
pin assignments A–1

B

base enclosure, spare part
numbers 3–11, 3–24, 3–25

battery bay 1–11, 1–18

battery light 1–7

battery locking latch 1–18

battery pack
removal 5–6
spare part numbers 3–13,
3–20
specifications 6–8

battery release latch 1–19

Bluetooth board
removal 5–15
spare part number 3–11,
3–20, 5–15

Bluetooth cable
disconnecting 5–15
illustrated 3–15

Bluetooth cover
illustrated 3–14
removal 5–15

bottom components 1–18

C

cables, service considerations
4–2

caps lock key 1–13

caps lock light 1–15

carrying case, spare part
numbers 3–17, 3–20

- components
 - bottom 1–18
 - front 1–6
 - keyboard 1–11, 1–12
 - left-side 1–9
 - rear 1–9
 - right-side 1–8
 - top 1–14, 1–16
- Computer Setup
 - Advanced Menu 2–6
 - File Menu 2–3
 - overview 2–1
 - Security Menu 2–4
 - Tools Menu 2–5
- Computer Setup defaults 2–2
- connector pin assignments
 - audio-in A–2
 - audio-out A–1
 - external monitor A–5
 - monitor A–5
 - RJ-11 A–7
 - RJ-45 A–6
 - serial A–4
 - S-Video-out A–8
 - Universal Serial Bus (USB) A–3
- connectors, service
 - considerations 4–2
- D**
- design overview 1–20
- disassembly sequence chart 5–3
- diskette drive
 - OS loading problems 2–21
 - precautions 4–3
- display assembly
 - removal 5–42
 - spare part numbers 3–3, 3–24, 5–42
 - specifications 6–3
- display lid switch 1–14
- display release button 1–7
- docking connector 1–19
- docking device,
 - troubleshooting 2–16
- Docking Station, HP, spare part number 3–17, 3–21
- drives, preventing damage 4–3
- DVD+RW/R and CD-RW Combo Drive
 - precautions 4–3
 - removal 5–11
 - spare part number 3–13, 3–16, 3–21, 5–11
 - specifications 6–12
- DVD/CD-RW Combo Drive
 - precautions 4–3
 - removal 5–11
 - spare part number 3–13, 3–16, 3–21, 5–11
 - specifications 6–10
- DVD-ROM drive
 - precautions 4–3
 - removal 5–11
 - spare part number 3–13, 3–16, 3–21, 5–11
 - specifications 6–9

E

- electrostatic discharge 4–4,
4–8
- external monitor port
 - location 1–11
 - pin assignments A–5

F

- f1** to **f12** keys 1–13
- features 1–2
- feet
 - illustrated 3–14
 - locations 5–10
- flowcharts, troubleshooting
 - no audio 2–23, 2–24
 - no network/modem connection 2–28
 - no OS loading 2–17
 - no OS loading from diskette drive 2–21
 - no OS loading from hard drive 2–18, 2–19, 2–20
 - no OS loading from optical drive 2–22
 - no power 2–10, 2–12, 2–13
 - no video 2–14, 2–15
- nonfunctioning device 2–25
- nonfunctioning docking device 2–16
- nonfunctioning keyboard 2–26
- nonfunctioning pointing device 2–27
- fn** key 1–13
- front components 1–6

G

- grounding equipment and methods 4–7

H

- hard drive
 - OS loading problems 2–18
 - precautions 4–3
 - removal 5–7
 - spare part numbers 3–13,
3–16, 3–23, 5–7
 - specifications 6–6
 - hard drive bay 1–19
 - hard drive cover
 - illustrated 3–14
 - removal 5–7
 - hard drive light 1–7
 - headphone jack
 - location 1–8
 - pin assignments A–1
 - heat sink
 - removal 5–29
 - spare part number 3–5,
3–23, 5–29
 - HP Advanced Docking Station, spare part number 3–17, 3–21
 - HP Docking Station, spare part number 3–17, 3–21
- I**
- I/O address specifications 6–17
 - Info Center button 1–15
 - infrared port 1–7
 - interrupt specifications 6–15

K

keyboard

removal 5-17

spare part numbers 3-3,
3-5, 3-21, 3-22, 3-23,
3-25, 3-26, 5-17

troubleshooting 2-26

keyboard components 1-11,
1-12

keypad keys 1-13

L

LED board cable 3-15

LED board, removal 5-25

left-side components 1-9

M

mass storage devices, spare
part numbers 3-16

memory map specifications
6-20

memory module

removal 5-12, 5-35

spare part numbers 3-9,
3-21, 3-26, 5-12, 5-35

memory module compartment
1-19

memory module compartment
cover

illustrated 3-14

removal 5-13

microphone 1-8

microphone jack

location 1-8

pin assignments A-2

Mini PCI communications
card

removal 5-40

spare part numbers 3-7,
3-20, 3-21, 3-23

Miscellaneous Cable Kit

components 3-15

spare part number 3-15,
3-26

Miscellaneous Plastics Kit

components 3-9, 3-14

spare part number 3-9,
3-14, 3-24

Miscellaneous Plastics Kit (for
use with Docking Station),

spare part number 3-17,
3-23

Miscellaneous Screw Kit,

spare part number 3-25

modem board

removal 5-50

spare part number 3-9,
3-20, 5-50

modem cable

illustrated 3-15

removal 5-62

modem jack

location 1-9

pin assignments A-7

modem, troubleshooting 2-28

monitor port

location 1-11

pin assignments A-5

- MultiBay II 1–8
- MultiBay II device
 - removal 5–11
 - spare part numbers 3–13, 3–16, 3–21, 5–11
- N**
- network jack
 - location 1–9
 - pin assignments A–6
- network, troubleshooting 2–28
- nonfunctioning device,
 - troubleshooting 2–16, 2–25
- notebook feet
 - illustrated 3–14
 - locations 5–10
- notebook specifications 6–1
- num lock** key 1–13
- num lock light 1–15
- O**
- optical drive
 - OS loading problems 2–22
 - precautions 4–3
 - removal 5–11
 - spare part numbers 3–13, 3–16, 3–21, 5–11
 - specifications 6–9, 6–10
- P**
- packing precautions 4–5
- PC Card eject buttons 1–10
- PC Card slot 1–10
- PC Card slot space saver 3–14
- plastic parts 4–2
- pointing device,
 - troubleshooting 2–27
- pointing stick 1–17
- pointing stick buttons 1–17
- power connector 1–11
- power cord
 - set requirements B–2
 - spare part numbers 3–18, 3–19, 3–20
- power management features 1–5
- power supply, spare part number 3–18, 3–21
- power, troubleshooting 2–10
- power/standby button 1–14
- power/standby light 1–6
- presentation mode button 1–15
- processor
 - removal 5–32
 - spare part numbers 3–5, 3–23, 5–32
- push button module
 - removal 5–63
 - spare part number 3–13, 3–25, 5–63
- R**
- rear components 1–9
- removal/replacement
 - preliminaries 4–1
 - procedures 5–1
- right-side components 1–8
- RJ-11 connector module and cable
 - illustrated 3–15
 - removal 5–62

RJ-11 jack
location 1-9
pin assignments A-7

RJ-45 jack
location 1-9
pin assignments A-6

RTC battery
illustrated 3-14
removal 5-26

S

Screw Kit
contents C-1
spare part number 3-19,
C-1

screw listing C-1

SD Card slot 1-10

security cable slot 1-9

serial connector module
illustrated 3-15
spare part number 3-11,
3-24, 5-65

serial number 3-1, 5-2

serial port
location 1-8
pin assignments A-4

service considerations 4-2

smart card reader 1-10

speakers 1-17

specifications
battery pack 6-8
display 6-3
DVD+RW/R and CD-RW
Combo Drive 6-12

DVD/CD-RW Combo
Drive 6-10

DVD-ROM drive 6-9

hard drive 6-6

I/O addresses 6-17

interrupts 6-15

memory map 6-20

notebook 6-1

optical drive 6-9, 6-10

system DMA 6-14

static shielding materials 4-8

S-Video-out jack
location 1-9
pin assignments A-8

switch cover
removal 5-22
spare part numbers 3-3,
3-24, 3-25, 5-22

system board
removal 5-52
spare part numbers 3-11,
3-24, 5-52

system board frame
removal 5-59
spare part number 3-11,
3-24, 5-59

system DMA 6-14

system memory map 6-20

T

thermal plate
removal 5-27
spare part number 3-5,
3-23, 5-27

tools required 4-1

top components 1–14, 1–16
top cover
 removal 5–46
 spare part numbers 3–9,
 3–24, 5–46
TouchPad 1–17
 removal 5–37
 spare part numbers 3–5,
 3–23, 5–37
TouchPad buttons 1–17
TouchPad cable
 disconnecting 5–39
 illustrated 3–15
TouchPad scroll zone 1–17
TPM security card 3–9
 removal 5–34
 spare part number 3–23,
 5–34
transporting precautions 4–5
travel battery connector 1–19
travel battery, spare part
 number 3–20
troubleshooting
 audio 2–23
 Computer Setup 2–2
 docking device 2–16
 flowcharts 2–7
 keyboard 2–26
 modem 2–28
 network 2–28
 nonfunctioning device
 2–16, 2–25
 OS loading 2–17
 overview 2–1

pointing device 2–27
power 2–10
video 2–14

U

Universal Serial Bus (USB)
 board cable, illustrated 3–15
Universal Serial Bus (USB)
 diskette drive, spare part
 number 3–17, 3–20
Universal Serial Bus (USB)
 port
 location 1–8, 1–10
 pin assignments A–3

V

vent, locations 1–10, 1–19
video troubleshooting 2–14
volume buttons 1–15

W

Windows applications key
 1–13
Windows logo key 1–13
wireless button 1–15
wireless light 1–6, 1–15
workstation precautions 4–6

Free Manuals Download Website

<http://myh66.com>

<http://usermanuals.us>

<http://www.somanuals.com>

<http://www.4manuals.cc>

<http://www.manual-lib.com>

<http://www.404manual.com>

<http://www.luxmanual.com>

<http://aubethermostatmanual.com>

Golf course search by state

<http://golfingnear.com>

Email search by domain

<http://emailbydomain.com>

Auto manuals search

<http://auto.somanuals.com>

TV manuals search

<http://tv.somanuals.com>