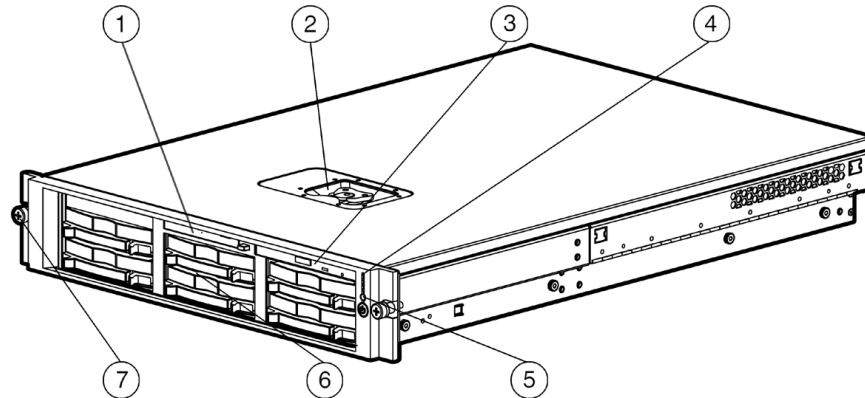


### Overview



1. 1.44 MB (3.5") Floppy Disk Drive
2. Latching Mechanism (facilitates easy hood removal)
3. 24x Max CD-ROM (with easy front ejection removal)
4. Front LED's (show server status)
5. Unit Identification button and LED (for easy in rack server identification)
6. Six 1" Wide Ultra3 SCSI Hot Plug Hard Drives OR Five 1" Hot Plug Hard Drive and one AIT or 20/40-GB DAT Hot Plug Tape Drive
7. 2U Form Factor

### What's New

- New DC Power Supply for the DL380 G2 (48V)

### At A Glance

- New Smart Array 5i Plus Controller & Battery-Backed Write Cache (BBWC) Enabler bundle option kit
- Setting a new standard for 2-way dense computing, the new ProLiantDL380 is the first density-optimized server to provide enterprise class availability and performance for demanding Internet and business applications - all in a 2U form factor
- Intel® Pentium® III FC-PGA2 1.40 GHz Processor (dual capability) with 512-KB level 2 ECC cache
- ServerWorks HE-SLChipset
- Triple Peer PCI Architecture with 133-MHz Front Side Bus
- 256-MB PC133-MHz Registered ECC SDRAM memory (2 x 1 Interleaved Memory), expandable to 6 GB or 4 GB with 2 GB online spare memory
- Three PCI expansion slots: Two HP 64-bit/66 MHz and one standard 64-bit/33 MHz
- Two Compaq NC3163 Fast Ethernet NICs Embedded 10/100 WOL (Wake On LAN)
- Smart Array 5i Controller (integrated on system board)
- Support for up to six 1" Wide Ultra3/Ultra320 SCSI hot plug hard drives or for five hot plug hard drives and one AIT or 20/40-GB DAT hot plug tape drive
- Internal hot plug capacity 880.8 GB standard (6 x 146.8 GB 1" HD)
- 400-Watt Hot Plug Power Supply and Hot Pluggable Fans (optional redundancy for both)
- Sliding rails and cable management arm for easy serviceability and in-rack tool-less access to major components
- Automatic Server Recovery (ASR), ROM Based Setup Utility (RBSU), Compaq Insight Manager 7, Status LEDs including system health and UID and SmartStart
- Protected by HP Services, including a three-year, Next Business Day, on-site limited Global warranty and extended Pre-Failure Warranty, which covers processors, memory, and hard drives — Certain restrictions and exclusions apply. Consult the HP Customer Support Center at 1-800-345-1518 for details.

### Standard Features

**Processor** Intel Pentium III FC-PGA2 1.40 GHz Processor

**Cache Memory** 512-KB second level ECC cache (full speed)

**Upgradability (per server)** Upgradable to dual processing

**Chipset** ServerWorks HE-SL Chipset

**NOTE:** For more information regarding ServerWorks, please see the following URL:

<http://www.serverworks.com/products/overview.html>.

**NOTE:** This Web site is available in English only.

**Memory**

Standard	256 MB (PC133-MHz Registered ECC SDRAM Memory) (2 x 1 Interleaved Memory)
Maximum	6 GB

**Network Controller** Two Compaq NC3163 Fast Ethernet NICs (embedded) PCI 10/100 WOL (Wake on LAN)

**Expansion Slots** I/O (3 Total, 3 available) PCI Voltage:

64-bit/66 MHz Hot Plug PCI	2	3.3 Volt or universal cards
64-bit/33 MHz Non Hot Plug PCI	1	5 Volt or universal cards

**Storage Controllers** Smart Array 5i Controller (integrated on system board)

**NOTE:** For complete list of devices supported the Smart array 5i Controller see the following:

[http://h18000.www1.hp.com/products/quickspecs/10890\\_div/10890\\_div.HTML](http://h18000.www1.hp.com/products/quickspecs/10890_div/10890_div.HTML) (Worldwide)

[http://h18000.www1.hp.com/products/quickspecs/10890\\_na/10890\\_na.HTML](http://h18000.www1.hp.com/products/quickspecs/10890_na/10890_na.HTML) (North America)

**Storage**

Diskette Drives	1.44 MB
CD-ROM	24x IDE CD-ROM Drive (Slimline)
Hard Drives	None
Maximum Internal Storage	880.8 GB (6 x 146.8 GB Ultra320 1")

**Interfaces**

Serial	1
Pointing Device (Mouse)	1
Graphics	1
Keyboard	1
External SCSI	1
Network RJ-45	2
USB	2

**NOTE:** Please see the following URL for additional information regarding USB support:

<http://h18004.www1.hp.com/products/servers/platforms/usb-support.html>.

### Standard Features

**Graphics** Integrated ATI Rage XL Video Controller with 8-MB SDRAM Video Memory

---

**Form Factor** Rack (2U), (3.5-inch)

---

**Product Tour** To view the Product Tour, please see the following URL, then click on "PRODUCT TOUR":  
<http://h18000.www1.hp.com/products/servers/proliantdl380/index.html>  
**NOTE:** This Web site is available in English only.

---

### Standard Features

#### ProLiant Essentials Foundation Pack Software

##### Insight Manager 7

Insight Manager 7 helps maximize system uptime and performance and reduces the cost of maintaining the IT infrastructure by providing proactive notification of problems before those problems result in costly downtime and reduced productivity. Insight Manager 7 is easy to set up and provides rapid access to detailed fault and performance information gathered by the Management Agents. One-click access to the Integrated Lights-Out or Remote Insight Lights Out Edition board allows systems administrators to take full graphical control of ProLiant servers in remote locations or lights-out data centers. Finally, Insight Manager 7 in concert with the Version Control Agents and Version Control Repository Manager enables systems administrators to version manage and update system software across groups of ProLiant servers.

##### SmartStart

SmartStart is a tool that simplifies server setup, providing a rapid way to deploy reliable and consistent server configurations. For more information, please visit the SmartStart Web site at <http://www.hp.com/servers/smartstart>.  
SmartStart version supported (minimum): SmartStart 5.10.

##### Management Agents

The Management Agents form the foundation for HP's Intelligent Manageability strategy. They provide direct, browser-based access to in-depth instrumentation built into HP servers, workstations, desktops, and portables, and send alerts to Insight Manager 7 and other enterprise management applications in case of subsystem or environmental failures. For additional information about the Management Agents and other management products from HP, please visit the management Web site at <http://www.hp.com/servers/manage>.

##### ActiveUpdate

Active Update is a web-based application that keeps IT managers directly connected to HP for proactive notification and delivery of the latest software updates.

##### ROMPaq, support software, and configuration utilities

The latest software, drivers, and firmware fully optimized and tested for your ProLiant server and options.

##### Survey Utility and diagnostics utilities

The most advanced configuration analysis, reporting and troubleshooting utilities used by HP and at your fingertips.

##### Optional ProLiant Essentials Value Packs

Optional software offerings that selectively extend the functionality of an Adaptive Infrastructure to address specific business problems and needs:

- Rapid Deployment Pack – an automated solution for multi-server deployment and provisioning, enabling companies to quickly and easily adapt to changing business demands.
- Workload Management Pack – provides easier management of complex environments, improving overall server utilization and enabling Windows® 2000 customers for the first time to confidently deploy multiple applications on a single multiprocessor ProLiant Server.
- Performance Management Pack – a performance management solution that identifies and explains hardware performance bottlenecks on ProLiant servers and attached options enabling users to better utilize their valuable resources.

**NOTE:** Flexible and volume quantity license kits are available for ProLiant Essentials Value Packs. Refer to <http://www.hp.com/servers/proliantessentials> or the various ProLiant Essentials Value Pack product QuickSpecs for more information.

**NOTE:** For more information regarding ProLiant Essentials Software, please see the following URL:

<http://www.hp.com/servers/proliantessentials>

**NOTE:** These Web sites are available in English only.

#### Industry Standard Compliance

ACPI 1.0b Compliant  
PCI-X and PCI 2.2 Compliant  
WOL Support  
Microsoft® Logo certifications  
USB 1.1

### Standard Features

#### Manageability

Insight Manager 7  
Redundant ROM  
Remote Flash ROM  
Management Agent  
Automatic Server Recovery (ASR)  
Compaq Remote Insight Lights-Out Edition (optional)  
Integrated Management Log  
Drive Parameter Tracking (with Smart Array Controllers)  
Dynamic Sector Repairing (with Smart Array Controllers)  
Hot Spare Boot

**(NOTE: Upon the event of a failed processor or VRM in a multi-processing environment, the system will automatically reboot and use the remaining good processor(s).)**

Pre-Failure Warranty (covers processors, hard drives and memory)

#### Security

Power-on password  
Keyboard password  
Diskette drive control  
Diskette boot control  
QuickLock, Network Server Mode  
Serial interface control  
Administrator's password  
Disk configuration lock

#### Server Power Cords

One Lowline power cord ships standard

#### Power Supply

400 Watt, CE Mark Compliant  
Optional Hot Plug Redundant Power Supply Capability

#### System Fans

5 fans ship standard. 8 total supported internally  
**NOTE: The additional 3 fans are available via Option Kit (PN 225012-B21).**

#### Required Cabling

For required cabling information, refer to the Web site at: <http://h18000.www1.hp.com/products/servers/ProLiantDL380/>.  
**NOTE: This Web site is available in English only.**

#### OS Support

Microsoft Windows NT® ever  
Microsoft Windows 2000  
Novell NetWare  
SCO UnixWare®  
LINUX (Red Hat, SuSE, TurboLinux Server, Caldera eServer)  
Sun Solaris Intel Platform Edition

**NOTE: For a more complete and up-to-date listing of supported OS's and versions, please visit our OS Support Matrix at: <ftp://ftp.compaq.com/pub/products/servers/os-support-matrix-310.pdf>.**

**NOTE: For an up-to-date listing of the latest drivers available for the ProLiant DL380, please see: <http://h18023.www1.hp.com/support/files/server/us/index.html>.**

**NOTE: These Web sites are available in English only.**

### Standard Features

#### Rack Airflow Requirements

- Rack 9000 and 10000 series Cabinets  
The increasing power of new high-performance processor technology requires increased cooling efficiency for rack-mounted servers. The Compaq 9000 Series Rack and the new 10000 Series Racks provides enhanced airflow for maximum cooling, allowing these racks to be fully loaded with servers using the latest processors.
- Rack 7000 series Cabinets  
When installing a server with processors running at speeds of 550 MHz or greater in Compaq Rack 7000 series racks with glass doors (165753-001 (42U), and 163747-001 (22U)), the new processor technology requires the installation of Compaq's new High Airflow Rack Door Inserts (327281-B21 (42U), 327281-B22 (42U 6 pack), or 157847-B21 (22U)) to promote enhanced airflow for maximum cooling.

**CAUTION:** If a third-party rack is used, observe the following additional requirements to ensure adequate airflow and to prevent damage to the equipment:

- **Front and rear doors:** If your 42U server rack includes closing front and rear doors, you must allow 830 square inches (5,350 sq cm) of hole evenly distributed from top to bottom to permit adequate airflow (equivalent to the required 64 percent open area for ventilation).
- **Side:** The clearance between the installed rack component and the side panels of the rack must be a minimum of 2.75 inches (7 cm).

**CAUTION:** Always use blanking panels to fill all remaining empty front panel U-spaces in the rack. This arrangement ensures proper airflow. Using a rack without blanking panels results in improper cooling that can lead to thermal damage.

**NOTE:** For additional information, refer to the Setup and Installation Guide or the Documentation CD provided with the server, or to the server documentation located in the Support section at the following URL:

<http://h18000.www1.hp.com/products/servers/ProLiantdl760/index.html>.

#### Service and Support

HP Services provides a three-year, limited warranty, including Pre-Failure Warranty (coverage of hard drives, memory and processors) fully supported by a worldwide network of resellers and service providers. HP technical assistance is available 7x24, toll free in the United States and Canada. Telephone support services may be covered under warranty or available for an additional fee.

**NOTE:** Limited Warranty includes 3 year Parts, 3 year Labor, 3-year on-site support.

A full range of HP Care Pack packaged hardware and software services:

- Installation and start up
- Extended coverage hours and enhanced response times
- System management and performance services
- Availability and recovery services

**NOTE:** For more information, customer/resellers can contact <http://www.hp.com/hps/>.

Please see the following URL regarding Warranty Information For Your HP Products:

<http://h18004.www1.hp.com/products/servers/platforms/warranty/index.html>.

For additional information regarding Worldwide Limited Warranty and Technical Support, please see the following URL: <ftp://ftp.compaq.com/pub/supportinformation/ejourney/176738.pdf>.

**NOTE:** Certain restrictions and exclusions apply. Consult the Customer Support Center at 1-800-345-1518 for details.

### Models

<b>DL380R02 P1400-512KB,</b>	<b>Processor(s)</b>	(1) Intel Pentium III FC PGA2 1.40 GHz Processor standard (up to 2 supported)
<b>256MB</b>	<b>Cache Memory</b>	512-KB level 2 ECC cache
<b>253864-xx1</b>	<b>Memory</b>	256 MB (Standard) to 6 GB (Maximum) PC133-MHz Registered ECC SDRAM
	<b>Network Controller</b>	(2) Compaq NC3163 Fast Ethernet NIC (embedded) PCI 10/100 WOL (Wake on LAN)
	<b>Storage Controller</b>	Smart Array 5i Controller (integrated on system board)
	<b>Hard Drives</b>	None ship standard
	<b>Internal Storage</b>	880.8 GB max (with optional hard drives)
	<b>Optical Drive</b>	24x IDE CD-ROM Drive (Slimline)
	<b>Form Factor</b>	Rack (2U), (3.5-inch)

<b>Country Code Key</b>	XX=00	US
	XX=01	Australia
	XX=03	UK
	XX=29	Japan
	XX=37	APD
	XX=42	EURO
	XX=AA	PRC

### Options

<b>ProLiant DL380 G2 Unique Options</b>	Pentium III P1400-512KB Processor Option Kit	201099-B21	
	Pentium III P1266-512KB Processor Option Kit	201098-B21	
	Pentium III P1133-512KB Processor Option Kit	201097-B21	
	Smart Array 5i Plus Controller & BBWC Enabler Bundle	264030-B21	
	<b>NOTE:</b> This option kit (PN 264030-xx1) supports the ProLiant DL380 G2 only.		
	Smart Array 5i Plus Controller & BBWC Enabler Bundle (Japan)	264030-291	
	<b>NOTE:</b> This option kit (PN 264030-xx1) supports the ProLiant DL380 G2 only.		
	2-Post Telco Rail Kit	228892-B21	
	Third Party, 4-Post Sliding Rail Kit	228894-B21	
	Compaq Hot Plug Redundant Power Supply Module	225011-001	
	Compaq Hot Plug Redundant Power Supply Module (Australia)	225011-011	
	Compaq Hot Plug Redundant Power Supply Module (Int'l)	225011-021	
	Compaq Hot Plug Redundant Power Supply Module (UK)	225011-031	
	Compaq Hot Plug Redundant Power Supply Module (Japan)	225011-291	
	Hot Plug Redundant Fan Option Kit	225012-B21	
	<b>NOTE:</b> Hot Plug Redundant Fan Option Kit (PN 225012-B21) contains three fans per kit		
	DC Power Supply for the DL380 G2 (48V)	268290-B21	
	<b>NOTE:</b> The ProLiant DL380 G2 ships standard with a 100-240 volt auto-switching AC power supply. Each 48 volt DC option kit (PN 268290-B21) contains one power supply. Therefore, to convert to redundant DC power supplies, two must be purchased		
	<b>ProLiant Essentials Value Pack Software</b>	Rapid Deployment Pack, 1 User, V1.x	267196-B21
		<b>NOTE:</b> This license allows 1 server to be managed and deployed via the Deployment Server.	
Rapid Deployment Pack, 1 User, V1.x (Japan)		267196-291	
<b>NOTE:</b> This license allows 1 server to be managed and deployed via the Deployment Server.			
Rapid Deployment Pack, 10 Users, V1.x		269817-B21	
<b>NOTE:</b> This license allows 10 servers to be managed and deployed via the Deployment Server.			
Rapid Deployment Pack, 10 Users, V1.x (Japan)		269817-291	
<b>NOTE:</b> This license allows 10 servers to be managed and deployed via the Deployment Server.			
ProLiant Essentials Workload Management Pack (Featuring Compaq Resource Partitioning Manager version 2.0)		303284-B21	
ProLiant Essentials Recovery Server Option Pack		280189-B21	
ProLiant Essentials Performance Management Pack v2.0, Single License		306696-B21	
<b>NOTE:</b> Flexible and volume quantity license kits are available for ProLiant Essentials Value Packs. Refer to <a href="http://www.hp.com/servers/proliantessentials">http://www.hp.com/servers/proliantessentials</a> or the various ProLiant Essentials Value Pack product QuickSpecs for more information.			
<b>NOTE:</b> For more information regarding ProLiant Essentials Software, please see the following URL: <a href="http://www.hp.com/servers/proliantessentials">http://www.hp.com/servers/proliantessentials</a> .			
<b>NOTE:</b> These Web sites are available in English only.			
<b>Software</b>	HP digital asset protection	302316-001	
<b>Software – Secured Solutions</b>	InterScan/Immunix Secured Solution for hp ProLiant servers	307039-B21	



### Options

NetServer to ProLiant integrations services	HP NetServer to ProLiant integration and assessment service	304164-002
	<b>NOTE:</b> HP identifies current levels of NetServer support, services, and management. This service helps maximize customer's ability to add ProLiant platforms into their current environment.	
	HP TopTools to Insight Manager 7 installation and startup service	304163-002
	<b>NOTE:</b> Provides on-site review, installation and configuration services for Insight Manager 7. HP will also re-create, as closely as possible, the views and reports from the customer's current TopTools configuration. This service assures a smooth transition to the ProLiant Essentials software.	
	HP NetServer to ProLiant Essentials Rapid Deployment Pack installation and startup service	304162-002
	<b>NOTE:</b> Install and configure Rapid Deployment Pack in a test environment, then deploy a server image to a maximum of 250 systems in the production environment. This service helps to assure successful system deployment.	
Processor	Pentium III P1400-512-KB Processor Option Kit	201099-B21
	Pentium III P1266-512-KB Processor Option Kit	201098-B21
	Pentium III P1133-512-KB Processor Option Kit	201097-B21
Memory	256-MB PC133-MHz Registered ECC SDRAM Memory Option Kit (2 x 128 MB)	201692-B21
	512-MB PC133-MHz Registered ECC SDRAM Memory Option Kit (2 x 256 MB)	201693-B21
	1024-MB PC133-MHz Registered ECC SDRAM Memory Option Kit (2 x 512 MB)	201694-B21
	2048-MB PC133-MHz Registered ECC SDRAM Memory Option Kit (2 x 1024 MB)	201695-B21
Optical Drives	Slimline CD-RW/DVD-ROM 24X Combo Drive Option Kit	331903-B21
Hard Drives	<b>Ultra 320 SCSI – Universal Hot Plug</b>	
	36.4GB 10,000 rpm, U320 Universal Hard Drive, 1"	286713-B22
	72.8GB 10,000 rpm, U320 Universal Hard Drive, 1"	286714-B22
	146.8GB 10,000 rpm, U320 Universal Hard Drive, 1"	286716-B22
	18.2GB 15,000 rpm, U320 Universal Hard Drive, 1"	286775-B22
	36.4GB 15,000 rpm, U320 Universal Hard Drive, 1"	286776-B22
	72.8GB 15,000 rpm, U320 Universal Hard Drive, 1"	286778-B22
	<b>NOTE:</b> All U320 Universal Hard Drives are backward compatible to U2 or U3 speeds. U320 drives require an optional U320 Smart Array Controller or U320 SCSI HBA to support U320 transfer rates.	
	<b>NOTE:</b> Please see the Hard Drive QuickSpecs for Technical Specifications such as capacity, height, width, interface, transfer rate, seek time, physical configuration, and operating temperature: U320 Hard Drive QS:	
	<a href="http://h18000.www1.hp.com/products/quickspecs/11531_div/11531_div.HTML">http://h18000.www1.hp.com/products/quickspecs/11531_div/11531_div.HTML</a> (Worldwide)	
<a href="http://h18000.www1.hp.com/products/quickspecs/11531_na/11531_na.HTML">http://h18000.www1.hp.com/products/quickspecs/11531_na/11531_na.HTML</a> (North America)		

### Options

<b>Storage Controllers</b>	Smart Array 5i Plus Controller & BBWC Enabler Bundle	264030-B21
	<b>NOTE:</b> This option kit (PN 264030-xx1) supports the ProLiant DL380 G2 only.	
	Smart Array 5i Plus Controller & BBWC Enabler Bundle (Japan)	264030-291
	<b>NOTE:</b> This option kit (PN 264030-xx1) supports the ProLiant DL380 G2 only.	
	Smart Array 532 Controller	225338-B21
	Smart Array 532 Controller (Japan)	225338-291
	Smart Array 5302/128 Controller	283552-B21
	Smart Array 5302/128 Controller (Japan)	283552-291
	Smart Array 5304/256 Controller	283551-B21
	Smart Array 5304/256 Controller (Japan)	283551-291
	Smart Array 5312 Controller	238633-B21
	Smart Array 5312 Controller (Japan)	238633-291
	Ultra3 Channel Expansion Module for Smart Array 5300 Controller	153507-B21
	128-MB Cache Module for Smart Array 5302 Controller	153506-B21
	RAID ADG Upgrade for Smart Array 5302	288601-B21
	256-MB Battery-Backed Cache Module	254786-B21
	<b>NOTE:</b> This 256-MB Battery-Backed Cache Module supports the Smart Array 5300 series controllers, MSA 1000 and the Smart Array Cluster Storage.	
	64-bit/66-MHz Single Channel Wide Ultra3 SCSI Adapter	154457-B21
	64-bit/66-MHz Dual Channel Wide Ultra3 SCSI Adapter	129803-B21
	64-Bit/133MHz Dual Channel Ultra320 SCSI Adapter	268351-B21
	64-Bit/66-MHz Dual Channel Wide Ultra3 SCSI Adapter, Alternate OS	284688-B21
	<b>NOTE:</b> Please see the following Controller or SCSI Adapter QuickSpecs for Technical Specifications such as PCI Bus, PCI Peak Data Transfer Rate, SCSI Protocols supported, SCSI Peak Data Transfer Rate, Channels, SCSI Ports, Drives supported, Cache, RAID support, and additional information: <a href="http://h18000.www1.hp.com/products/quickspecs/11063_div/11063_div.HTML">http://h18000.www1.hp.com/products/quickspecs/11063_div/11063_div.HTML</a> (Smart Array 5i Plus) <a href="http://h18000.www1.hp.com/products/quickspecs/10851_div/10851_div.HTML">http://h18000.www1.hp.com/products/quickspecs/10851_div/10851_div.HTML</a> (Smart Array 532) <a href="http://h18000.www1.hp.com/products/quickspecs/10640_div/10640_div.HTML">http://h18000.www1.hp.com/products/quickspecs/10640_div/10640_div.HTML</a> (Smart Array 5300 Series) <a href="http://h18000.www1.hp.com/products/quickspecs/11328_div/11328_div.HTML">http://h18000.www1.hp.com/products/quickspecs/11328_div/11328_div.HTML</a> (Smart Array 5312) <a href="http://h18000.www1.hp.com/products/quickspecs/10429_div/10429_div.HTML">http://h18000.www1.hp.com/products/quickspecs/10429_div/10429_div.HTML</a> (SCSI Adapter) <a href="http://h18000.www1.hp.com/products/quickspecs/11555_div/11555_div.HTML">http://h18000.www1.hp.com/products/quickspecs/11555_div/11555_div.HTML</a> (U320 Adapter)	
<hr/>		
<b>Communications</b>	Compaq NC3123 Fast Ethernet NIC PCI 10/100 WOL	174830-B21
	Compaq NC3134 Fast Ethernet NIC 64 PCI Dual Port 10/100	138603-B21
	Compaq NC3135 Fast Ethernet Upgrade Module	138604-B21
	Compaq NC6132 Gigabit Module 1000 SX Upgrade Module for NC3134 and NC3131	338456-B23
	Compaq NC6133 Gigabit Module 1000LX Upgrade Module for NC3134 and NC3131	338456-B24
	Compaq NC3133 Fast Ethernet Module 100FX Upgrade Module for NC3134 and NC3131	338456-B25
	Compaq NC6136 Gigabit Server Adapter, 64-bit/66-MHz, PCI, 1000 SX	203539-B21
	Compaq NC7131 Gigabit Server Adapter, 64-bit/66-MHz, PCI, 10/100/1000-T	158575-B21
	Compaq NC7132 10/100/1000-T Upgrade Module for NC3134 and NC3131	153543-B21
	<b>NOTE:</b> Any NC31XX, NC61XX or NC71XX NIC can be used for redundancy with the embedded NC3163 Network Controller.	
<hr/>		

### Options

<b>DC Power Supply</b>	DC Power Supply for the DL380 (48V) <b>NOTE:</b> The ProLiant DL380 G2 ships standard with a 100-240 volt auto-switching AC power supply. Each 48 volt DC option kit (PN 268290-B21) contains one power supply. Therefore, to convert to redundant DC power supplies, two must be purchased.	268290-B21
<b>Redundant Options</b>	Compaq Hot Plug Redundant Power Supply Module Compaq Hot Plug Redundant Power Supply Module (Australia) Compaq Hot Plug Redundant Power Supply Module (Int'l) Compaq Hot Plug Redundant Power Supply Module (UK) Compaq Hot Plug Redundant Power Supply Module (Japan) Hot Plug Redundant Fan Option Kit Hot Plug AC Redundant Power Supply Module (NEMA cord) (NA) Hot Plug AC Redundant Power Supply Module (IEC cord) (WW)	225011-001 225011-011 225011-021 225011-031 225011-291 225012-B21 313054-001 313054-B21
<b>Management Options</b>	Remote Insight Lights-Out Edition II (NA, LA) Remote Insight Lights-Out Edition II (EMEA) Remote Insight Lights-Out Edition II (ROW) Compaq Remote Insight Lights-Out Edition (NA, LA) Compaq Remote Insight Lights-Out Edition (EMEA) Compaq Remote Insight Lights-Out Edition (ROW)	227251-001 227251-021 227251-371 157866-001 157866-021 157866-371
<b>Security</b>	HP/Atalla AXL600L SSL Accelerator Card for ProLiant Servers Compaq AXL300 Accelerator PCI Card (HW SSL Encryption) for ProLiant Servers	524545-B21 227933-B21
<b>Monitors</b>	<b>Essential Series</b> Compaq S9500 CRT Monitor (19-inch, Carbon/Silver) Compaq S7500 CRT Monitor (17-inch, Carbon/Silver) Compaq S5500 CRT Monitor (15-inch Carbon/Silver) Compaq TFT1501 Flat Panel Monitor (15-inch, Carbon/Silver, North America) Compaq TFT1501 Flat Panel Monitor (15-inch, Carbon/Silver, Outside North America) Compaq TFT1701 Flat Panel Monitor (17-inch, Carbon/Silver, North America) Compaq TFT1701 Flat Panel Monitor (17-inch, Carbon/Silver, Outside North America)	261615-XXX 261606-XXX 261602-XXX 301042-003 P4825D-XXX 292847-003 P9019A-XXX

### Options

#### **Advantage Series**

Compaq V7550 CRT Color Monitor (17-inch, Carbon/Silver)	261611-XXX
Compaq TFT1720 Flat Panel Monitor (17-inch, Carbon/Silver, North America)	295926-003
Compaq TFT1720 Flat Panel Monitor (17-inch, Carbon/Silver, outside North America)	D5064D-XXX
Compaq FT1720M Flat Panel Monitor (17-inch, Carbon/Silver, includes speaker, USB port, headphone, North America)	301958-003
Compaq TFT1720M Flat Panel Monitor (17-inch, Carbon/Silver, includes speaker, USB port, headphone, outside North America)	D5064P-XXX
Compaq TFT1520 Flat Panel Monitor (15-inch, Carbon/Silver, North America)	295925-003
Compaq TFT1520 Flat Panel Monitor (15-inch, Carbon/Silver, outside North America)	D5063D-XXX
Compaq TFT1520M Flat Panel Monitor (15-inch, Carbon/Silver includes speaker, USB port, headphone, North America)	301957-003
Compaq TFT1520M Flat Panel Monitor (15-inch, Carbon/Silver includes speaker, USB port, headphone, outside North America)	D5063P-XXX

#### **Performance Series**

HP P930 CRT Monitor (19-inch, Flat-screen, Carbon/Silver, North America)	302268-003
HP P930 CRT Monitor (19-inch, Flat-screen, Carbon/Silver, Outside North America)	P909W-XXX
HP P1130 CRT Monitor (21-inch, Flat-screen, Carbon/Silver, North America)	302270-003
HP P1130 CRT Monitor (21-inch, Flat-screen, Carbon/Silver, Outside North America)	P4819-XXX
HP L1825 Flat Panel Monitor (18-inch, Carbon/Silver, North America)	303486-003
HP L1825 Flat Panel Monitor (18-inch, Carbon/Silver, Outside North America)	P9021W-XXX
HP L2025 Flat Panel Monitor (20-inch, Carbon/Silver, North America)	303102-003
HP L2025 Flat Panel Monitor (20-inch, Carbon/Silver, Outside North America)	P4831W-XXX
Compaq TFT1825 Flat Panel Monitor (18-inch, Carbon/Silver, North America)	296751-003
Compaq TFT1825 Flat Panel Monitor (18-inch, Carbon/Silver, Outside North America)	P9021A-XXX
Compaq TFT2025 Flat Panel Monitor (20-inch, Carbon/Silver, North America)	285550-003
Compaq TFT2025 Flat Panel Monitor (20-inch, Carbon/Silver, Outside North America)	P4831D-XXX

#### **Rackmount Flat Panel Monitors**

TFT5110R Flat Panel Monitor (Carbon) (1U rack mountable)	281683-B21
TFT5010R Flat Panel Monitor (NA) (2U rack mountable)	217248-001
TFT5010R Flat Panel Monitor (Int'l) (2U rack mountable)	217248-B31
TFT5010R Flat Panel Monitor (Japan) (2U rack mountable)	217248-291

**NOTE:** Monitors larger than 17" may be too heavy for use in rack systems.

## Options

### Tape Drives

#### External DAT Tape Drives

HP StorageWorks 20/40-GB DAT DDS-4 Tape Drive, External (Carbon) (NA)	157770-002
HP StorageWorks 20/40-GB DAT DDS-4 Tape Drive, External (Int'l) (Carbon)	157770-B32
HP StorageWorks 20/40-GB DAT DDS-4 Tape Drive, External (Japan)(Carbon)	157770-292
HP StorageWorks Internal 20/40-GB DAT, Hot Plug (Carbon)	215488-B21

**NOTE:** Please see the [20/40-GB DAT Tape Drive QuickSpecs](#) for additional options such as host bus adapters, controllers, cassettes, and for an up-to-date listing of the latest O/S Support details, please see the following:

[http://h18006.www1.hp.com/products/quickspecs/10426\\_div/10426\\_div.html](http://h18006.www1.hp.com/products/quickspecs/10426_div/10426_div.html) (Worldwide)

[http://h18006.www1.hp.com/products/quickspecs/10426\\_na/10426\\_na.html](http://h18006.www1.hp.com/products/quickspecs/10426_na/10426_na.html) (North America)

#### External AIT Tape Drives

HP StorageWorks External AIT 35-GB, LVD Tape Drive (Carbon)	216885-001
HP StorageWorks External AIT 35-GB, LVD Tape Drive (Carbon) (Int'l)	216885-B31
HP StorageWorks External AIT 35-GB, LVD Tape Drive (Carbon) (Japan)	216885-291
HP StorageWorks Internal AIT 35-GB, LVD Hot Plug (Carbon)	216886-B21

**NOTE:** Please see the [AIT 35 GB, LVD Tape Drive QuickSpecs](#) for additional options such as adapters, controllers, and cassettes, and for an up-to-date listing of the latest O/S Support details, please see the following:

[http://h18006.www1.hp.com/products/quickspecs/10712\\_div/10712\\_div.html](http://h18006.www1.hp.com/products/quickspecs/10712_div/10712_div.html) (Worldwide)

[http://h18006.www1.hp.com/products/quickspecs/10712\\_na/10712\\_na.html](http://h18006.www1.hp.com/products/quickspecs/10712_na/10712_na.html) (North America)

HP StorageWorks AIT 50-GB Tape Drive, External (Carbon) (NA)	157767-002
HP StorageWorks AIT 50-GB Tape Drive, External (Int'l) (Carbon)	157767-B32
HP StorageWorks AIT 50-GB Tape Drive, External (Japan) (Carbon)	157767-292
HP StorageWorks Internal AIT 50-GB, Hot Plug (Carbon)	215487-B21
HP StorageWorks AIT 50GB Tape Drive, 3U Rackmount	274333-B21

**NOTE:** Please see the [AIT 50-GB Tape Drive QuickSpecs](#) for additional options such as adapters, controllers, and cassettes, and for an up-to-date listing of the latest O/S Support details, please see the following:

[http://h18006.www1.hp.com/products/quickspecs/10425\\_div/10425\\_div.html](http://h18006.www1.hp.com/products/quickspecs/10425_div/10425_div.html) (Worldwide)

[http://h18006.www1.hp.com/products/quickspecs/10425\\_na/10425\\_na.html](http://h18006.www1.hp.com/products/quickspecs/10425_na/10425_na.html) (North America)

HP StorageWorks External AIT 100-GB Tape Drive (Carbon)	249160-001
HP StorageWorks External AIT 100-GB Tape Drive (Carbon) (Int'l)	249160-B31
HP StorageWorks Internal AIT 100-GB, Hot Plug (Carbon)	249161-B21

**NOTE:** Please see the [AIT 100-GB Tape Drive QuickSpecs](#) for additional options such as adapters, controllers, and cassettes, and for an up-to-date listing of the latest O/S Support details, please see the following:

[http://h18006.www1.hp.com/products/quickspecs/11062\\_div/11062\\_div.html](http://h18006.www1.hp.com/products/quickspecs/11062_div/11062_div.html) (Worldwide)

[http://h18006.www1.hp.com/products/quickspecs/11062\\_na/11062\\_na.html](http://h18006.www1.hp.com/products/quickspecs/11062_na/11062_na.html) (North America)

#### External DLT/SDLT Tape Drives

HP StorageWorks 40/80-GB DLT Tape Drive, External (Carbon) (NA)	146197-B22
HP StorageWorks 40/80-GB DLT Tape Drive, External (Carbon) (Japan)	146197-293
HP StorageWorks Rackmount DLT 40/80, 3U (Single Drive)	274332-B21
HP StorageWorks Rackmount DLT 40/80, Dual Drive 3U (Two Drives)	274335-B21
HP StorageWorks Rackmount DLT 40/80, Tape Array III, 5U (Four Drives)	274337-B21

**NOTE:** Please see the [40/80-GB DLT Drive QuickSpecs](#) for additional options such as host bus adapters, controllers, cassettes, and for an up-to-date listing of the latest O/S Support details, please see the following:

[http://h18006.www1.hp.com/products/quickspecs/10658\\_div/10658\\_div.html](http://h18006.www1.hp.com/products/quickspecs/10658_div/10658_div.html) (Worldwide)

[http://h18006.www1.hp.com/products/quickspecs/10658\\_na/10658\\_na.html](http://h18006.www1.hp.com/products/quickspecs/10658_na/10658_na.html) (North America)

### Options

#### External DLT VS Tape Drives

HP StorageWorks DLT VS 40/80 Tape Drive, External (Carbon) (NA)	280129-B22
HP StorageWorks DLT VS 40/80 Tape Drive, External (Carbon) (Int'l)	280129-B31
HP StorageWorks DLT VS 40/80 Tape Drive, External (Carbon) (Japan)	280129-291

**NOTE:** Please see the DLT VS 40/80 Tape Drive QuickSpecs for additional options such as host bus adapters, controllers, cassettes, and for an up-to-date listing of the latest O/S Support details, please see the following:

[http://h18006.www1.hp.com/products/quickspecs/10403\\_div/10403\\_div.html](http://h18006.www1.hp.com/products/quickspecs/10403_div/10403_div.html) (Worldwide)  
[http://h18006.www1.hp.com/products/quickspecs/10403\\_na/10403\\_na.html](http://h18006.www1.hp.com/products/quickspecs/10403_na/10403_na.html) (North America)

HP StorageWorks Rackmount SDLT 110/220, 3U (Single Drive)	274331-B21
HP StorageWorks Rackmount SDLT 110/220, Dual-Drive, 3U (Two Drives)	274334-B21
HP StorageWorks Rackmount SDLT 110/220, Tape Array III, 5U (Four Drives)	274336-B21

**NOTE:** Please see the SDLT 110/22-0GB Tape Drive QuickSpecs for additional options such as adapters, controllers, and media, and for an up-to-date listing of the latest O/S Support details, please see the following:

[http://h18000.www1.hp.com/products/quickspecs/10772\\_div/10772\\_div.HTML](http://h18000.www1.hp.com/products/quickspecs/10772_div/10772_div.HTML) (Worldwide)  
[http://h18000.www1.hp.com/products/quickspecs/10772\\_na/10772\\_na.HTML](http://h18000.www1.hp.com/products/quickspecs/10772_na/10772_na.HTML) (North America)

HP StorageWorks SDLT 160/320, External NA (carbon)	257319-001
HP StorageWorks SDLT 160/320, External WW (carbon)	257319-B31
HP StorageWorks SDLT 160/320, External Japan (carbon)	257319-291

**NOTE:** Please see the SDLT 160/320-GB Tape Drive QuickSpecs for additional options such as adapters, controllers, and media, and for an up-to-date listing of the latest O/S Support details, please see the following:

[http://h18006.www1.hp.com/products/quickspecs/10406\\_div/10406\\_div.html](http://h18006.www1.hp.com/products/quickspecs/10406_div/10406_div.html) (Worldwide)  
[http://h18006.www1.hp.com/products/quickspecs/10406\\_na/10406\\_na.html](http://h18006.www1.hp.com/products/quickspecs/10406_na/10406_na.html) (North America)

#### External SuperLoader

DLT1 1280 SuperLoader	268664-B21
-----------------------	------------

**NOTE:** Please see the StorageWorks DLT1 1280 SuperLoader QuickSpecs for additional options and for an up-to-date listing of the latest O/S Support details, please see the following:

[http://h18006.www1.hp.com/products/quickspecs/11406\\_div/11406\\_div.html](http://h18006.www1.hp.com/products/quickspecs/11406_div/11406_div.html) (Worldwide)  
[http://h18006.www1.hp.com/products/quickspecs/11406\\_na/11406\\_na.html](http://h18006.www1.hp.com/products/quickspecs/11406_na/11406_na.html) (North America)

#### External LTO Ultrium Tape Drives

HP StorageWorks Ultrium 230 Tape Drive, External (Carbon) NA	Q1516A
HP StorageWorks Ultrium 230 Tape Drive, External (Carbon) Int'l	Q1517A

**NOTE:** Please see the HP StorageWorks Ultrium Tape Drive QuickSpecs for additional options such as controllers, and other related items, and for an up-to-date listing of the latest O/S Support details, please see the following:

[http://h18006.www1.hp.com/products/quickspecs/11415\\_div/11415\\_div.html](http://h18006.www1.hp.com/products/quickspecs/11415_div/11415_div.html) (Worldwide)  
[http://h18006.www1.hp.com/products/quickspecs/11415\\_na/11415\\_na.html](http://h18006.www1.hp.com/products/quickspecs/11415_na/11415_na.html) (North America)

HP StorageWorks Ultrium 460 Tape Drive for ProLiant, External (Carbon) NA	Q1519A
HP StorageWorks Ultrium 460 Tape Drive for ProLiant, External (Carbon) Int'l	Q1520A

**NOTE:** Please see the HP StorageWorks Ultrium 460 Tape Drives for ProLiant QuickSpecs for additional options such as data and cleaning cartridges, and for an up-to-date listing of the latest O/S Support details, please see the following:

[http://h18006.www1.hp.com/products/quickspecs/11530\\_div/11530\\_div.html](http://h18006.www1.hp.com/products/quickspecs/11530_div/11530_div.html) (Worldwide)  
[http://h18006.www1.hp.com/products/quickspecs/11530\\_na/11530\\_na.html](http://h18006.www1.hp.com/products/quickspecs/11530_na/11530_na.html) (North America)

### Options

#### External DAT Autoloader

20/40-GB DAT 8 Cassette Autoloader External (Opal)	166505-001
20/40-GB DAT 8 Cassette Autoloader External (Opal) (Int'l)	166505-B31
20/40-GB DAT 8 Cassette Autoloader External (Opal) (Japan)	166505-291

**NOTE:** Please see the 20/40-GB DAT DDS-4 8 Cassette Autoloader QuickSpecs for additional options

such as adapters, controllers, and cassettes, and for an up-to-date listing of the latest O/S Support details, please see the following:

[http://h18000.www1.hp.com/products/quickspecs/10518\\_div/10518\\_div.HTML](http://h18000.www1.hp.com/products/quickspecs/10518_div/10518_div.HTML) (Worldwide)

[http://h18000.www1.hp.com/products/quickspecs/10518\\_na/10518\\_na.HTML](http://h18000.www1.hp.com/products/quickspecs/10518_na/10518_na.HTML) (North America)

#### AIT Autoloader

HP StorageWorks AIT 35 GB Autoloader, Rackmount (Carbon) (NA)	280349-001
HP StorageWorks AIT 35 GB Autoloader, Rackmount (Carbon) (Int'l)	280349-B31

**NOTE:** Please see the AIT 35-GB Autoloader QuickSpecs for additional options such as adapters, controllers, and cassettes, and for an up-to-date listing of the latest O/S Support details, please see the following:

[http://h18000.www1.hp.com/products/quickspecs/11404\\_div/11404\\_div.HTML](http://h18000.www1.hp.com/products/quickspecs/11404_div/11404_div.HTML) (Worldwide)

[http://h18000.www1.hp.com/products/quickspecs/11404\\_na/11404\\_na.HTML](http://h18000.www1.hp.com/products/quickspecs/11404_na/11404_na.HTML) (North America)

#### HP StorageWorks 1/8 Autoloader

HP StorageWorks 1/8 Autoloader, Tabletop, Ultrium 230	C9572CB
HP StorageWorks 1/8 Autoloader, Tabletop, DLT VS80	C9264CB
HP StorageWorks 1/8 Autoloader, Rackmount kit	C9266R

#### Rackmount Tape Drive Kits

3U Rackmount Kit	274338-B21
------------------	------------

**NOTE:** The 3U Rackmount Kit (PN 274338-B21) can support up to (2) full-height or (4) half-height tape drives and compatible with multiple internal Single-Ended and LVD SCSI Tape Drives including the 12/24-GB DAT, 20/40-GB DAT, 20/40-GB DAT DDS-4 8 Cassette Autoloader, AIT 35-GB LVD, AIT 50 GB, AIT 100 GB, 20/40-GB DLT, 40/80-GB DLT, SDLT 110/220-GB, SDLT 160/320-GB, Ultrium 230, and Ultrium 460 Tape Drives.

5U Rackmount Kit	274339-B21
------------------	------------

**NOTE:** The 5U Rackmount Kit (PN 274339-B21) can support up to (4) full-height tape drives and is compatible with all HP internal DLT/SDLT/Ultrium tape drives including the 20/40-GB DLT, 35/70-GB DLT, 40/80-GB DLT, SDLT 110/220-GB, SDLT 160/320, Ultrium 230, and Ultrium 460 tape drives.

**NOTE:** Please see the Rackmount Tape Drive Kits QuickSpecs for additional information regarding these kits, please see the following:

[http://h18006.www1.hp.com/products/quickspecs/10854\\_div/10854\\_div.html](http://h18006.www1.hp.com/products/quickspecs/10854_div/10854_div.html) (Worldwide)

[http://h18006.www1.hp.com/products/quickspecs/10854\\_na/10854\\_na.html](http://h18006.www1.hp.com/products/quickspecs/10854_na/10854_na.html) (North America)

#### Rackmount Tape Drive Cable Kits

LVD Cable Kit, VHDCI/HD68	168048-B21
---------------------------	------------

**NOTE:** For use with the 3U RM Storage Enclosure and DLT Tape Array III only.

LVD Cable Kit, HD68/HD68	242381-B21
--------------------------	------------

**NOTE:** For use with the 3U RM Storage Enclosure and DLT Tape Array III only.

## Options

### Tape Automation

#### Entry Level Tape Libraries

##### SSL2020 Automated AIT Library

SSL2020 AIT Mini-Library 1 drive, 20 slot Rackmount	175196-B21
SSL2020 AIT Mini-Library 2 drive, 20 slot Rackmount	175196-B22
SSL2020 AIT Library Pass Thru with Transport	175312-B21
SSL2020 AIT Library Pass Thru Extender	175312-B22
AIT 50-GB Drive Add-On LVD Drive for SSL2020 AIT Library	175197-B21

##### Required Adapters/Controllers for SSL2020 AIT Library

64-Bit/66-MHz Dual Channel Wide Ultra3 SCSI Adapter	129803-B21
SAN Access Module for Smart Array 5302 Controller	216687-B21
SAN Access Module for Smart Array 5302 Controller (Japan)	216687-291

**NOTE:** Please see the SSL2020 Automated AIT Tape Library Solution QuickSpecs for additional information including Upgrade Kits, Accessories, and SCSI Cable Kits and additional options needed for a complete solution at:

[http://h18000.www1.hp.com/products/quickspecs/10580\\_na/10580\\_na.HTML](http://h18000.www1.hp.com/products/quickspecs/10580_na/10580_na.HTML)  
(North America) [http://h18000.www1.hp.com/products/quickspecs/10580\\_div/10580\\_div.HTML](http://h18000.www1.hp.com/products/quickspecs/10580_div/10580_div.HTML)  
(Worldwide)

#### MSL5000 Libraries

##### Mainstream Tape Library

##### MSL5026DLX DLT Library

MSL5026DLX, 1 40/80-GB DLT, LVD Rackmount	231891-B21
MSL5026DLX, 2 40/80-GB DLT, LVD Rackmount	231891-B22

##### MSL5026SL SDLT Library

**NOTE:** Please see the StorageWorks MSL5026DLX or MSL5026SL Library QuickSpecs for additional information including Upgrade Kits, Accessories, and SCSI Cable Kits and additional options needed for a complete solution at:

[http://h18000.www1.hp.com/products/quickspecs/10860\\_na/10860\\_na.HTML](http://h18000.www1.hp.com/products/quickspecs/10860_na/10860_na.HTML)  
(North America) [http://h18000.www1.hp.com/products/quickspecs/10860\\_div/10860\\_div.HTML](http://h18000.www1.hp.com/products/quickspecs/10860_div/10860_div.HTML) (Worldwide)

MSL5026SL, Rackmount, 1 SDLT Drive (Graphite)	302512-B21
MSL5026SL, Rackmount, 2 SDLT Drive (Graphite)	302512-B22

**NOTE:** Please see the StorageWorks MSL5026SL Library QuickSpecs for additional information including Upgrade Kits, Accessories, and SCSI Cable Kits and additional options needed for a complete solution at:

[http://h18000.www1.hp.com/products/quickspecs/11440\\_na/11440\\_na.HTML](http://h18000.www1.hp.com/products/quickspecs/11440_na/11440_na.HTML)  
(North America) [http://h18000.www1.hp.com/products/quickspecs/11440\\_div/11440\\_div.HTML](http://h18000.www1.hp.com/products/quickspecs/11440_div/11440_div.HTML)  
(Worldwide)

##### MSL5026S2 SDLT Library

MSL5026S2, Rackmount, 0 Drive Library	293472-B21
MSL5026S2, Rackmount, 1 Drive, SDLT2 Library	293472-B22
MSL5026S2, Rackmount, 2 Drives, SDLT2 Library	293472-B23
MSL5026S2FC, Rackmount, 1 Drive, SDLT2 Library	293472-B24
MSL5026S2FC, Rackmount, 2 Drives, SDLT2 Library	293472-B25

**NOTE:** Please see the StorageWorks MSL5026S2 Library QuickSpecs for additional information including Upgrade Kits, Accessories, and SCSI Cable Kits and additional options needed for a complete solution at:

[http://h18000.www1.hp.com/products/quickspecs/11453\\_na/11453\\_na.HTML](http://h18000.www1.hp.com/products/quickspecs/11453_na/11453_na.HTML)  
(North America) [http://h18000.www1.hp.com/products/quickspecs/11453\\_div/11453\\_div.HTML](http://h18000.www1.hp.com/products/quickspecs/11453_div/11453_div.HTML) (Worldwide)



## Options

### Departmental Tape Library

#### MSL5052SL SDLT Library

MSL5052, Rackmount, 0 Drive, SDLT ALL	255102-B21
MSL50502SL, SDLT, 110/220, 2 Drives, LVD, Rackmount	249491-B21
MSL5K Field Upgrade SDLT 110/220 Drive, LVD	231823-B22

**NOTE:** Please see the StorageWorks MSL5052SL Library QuickSpecs for additional information including Upgrade Kits, Accessories, and SCSI Cable Kits and additional options needed for a complete solution at:

[http://h18000.www1.hp.com/products/quickspecs/11061\\_na/11061\\_na.HTML](http://h18000.www1.hp.com/products/quickspecs/11061_na/11061_na.HTML)

(North America)

[http://h18000.www1.hp.com/products/quickspecs/11061\\_div/11061\\_div.HTML](http://h18000.www1.hp.com/products/quickspecs/11061_div/11061_div.HTML) (Worldwide)

#### MSL5052S2 SDLT Library

MSL5052S2, Rackmount, 2 Drives, SDLT2 Library	293474-B21
MSL5052S2FC, Rackmount, 2 Drives, SDLT2 Library	293474-B24

**NOTE:** Please see the StorageWorks MSL5052S2 Library QuickSpecs for additional information including Upgrade Kits, Accessories, and SCSI Cable Kits and additional options needed for a complete solution at:

[http://h18000.www1.hp.com/products/quickspecs/11442\\_na/11442\\_na.HTML](http://h18000.www1.hp.com/products/quickspecs/11442_na/11442_na.HTML)

(North America)

[http://h18000.www1.hp.com/products/quickspecs/11442\\_div/11442\\_div.HTML](http://h18000.www1.hp.com/products/quickspecs/11442_div/11442_div.HTML) (Worldwide)

#### MSL5030 LTO Library

MSL5030L1, Rackmount, 0 Drive Library	301897-B21
MSL5030L1, Rackmount, 1 Drive, LTO1 Library	301897-B22
MSL5030L1, Rackmount, 2 Drives, LTO1 Library	301897-B23
MSL5030L1FC, Rackmount, 1 Drive, LTO1 Library	301897-B24
MSL5030L1FC, Rackmount, 2 Drives, LTO1 Library	301897-B25

**NOTE:** Please see the StorageWorks MSL5030 LTO Library QuickSpecs for additional information including Upgrade Kits, Accessories, and SCSI Cable Kits and additional options needed for a complete solution at:

[http://h18000.www1.hp.com/products/quickspecs/11439\\_na/11439\\_na.HTML](http://h18000.www1.hp.com/products/quickspecs/11439_na/11439_na.HTML)

(North America)

[http://h18000.www1.hp.com/products/quickspecs/11439\\_div/11439\\_div.HTML](http://h18000.www1.hp.com/products/quickspecs/11439_div/11439_div.HTML) (Worldwide)

#### MSL5060 LTO Library

MSL5060L1, Rackmount, 0 Drive Library	301899-B21
MSL5060L1, Rackmount, 2 Drives, LTO1 Library	301899-B22
MSL5060L1FC, Rackmount, 2 Drives, LTO1 Library	301899-B23
MSL5060L1, Tabletop, 2 Drives, LTO1 Library	301900-B21

**NOTE:** Please see the StorageWorks MSL5060 LTO Library QuickSpecs for additional information including Upgrade Kits, Accessories, and SCSI Cable Kits and additional options needed for a complete solution at:

[http://h18000.www1.hp.com/products/quickspecs/11438\\_na/11438\\_na.HTML](http://h18000.www1.hp.com/products/quickspecs/11438_na/11438_na.HTML)

(North America)

[http://h18000.www1.hp.com/products/quickspecs/11438\\_div/11438\\_div.HTML](http://h18000.www1.hp.com/products/quickspecs/11438_div/11438_div.HTML) (Worldwide)

#### MSL5000 series Libraries Options

MSL5K Field Upgrade SDLT 110/220 Drive, LVD	231823-B22
MSL5000 SDLT2 Upgrade Drive	293475-B21
MSL5000 LTO1 Upgrade Drive	301901-B21
MSL5000 Dual Magazine LTO	301902-B21
MSL5000 Dual Magazine DLT	232136-B21

#### Required Adapters for MSL5000 series Libraries

64-Bit/66MHz Dual Channel Wide Ultra3 SCSI Adapter	129803-B21
--	------------

### Options

---

<b>Smart Array ClusterStorage</b>	Smart Array Cluster Storage	201724-B21
	Smart Array Cluster Storage Redundant Controller Option Kit	218252-B21
	4-Port Shared Storage Module with Smart Array Multipath Software for Smart Array Cluster Storage	292944-B21
	128-MB Cache Module for Smart Array 5302 Controller	153506-B21
	256-MB Battery-Backed Cache Module	254786-B21

**NOTE:** Please see the Compaq Smart Array Cluster Storage QuickSpecs for additional information including configuration steps and additional options needed for a complete solution at:

[http://h18000.www1.hp.com/products/quickspecs/11050\\_na/11050\\_na.html](http://h18000.www1.hp.com/products/quickspecs/11050_na/11050_na.html)

(North America)

[http://h18000.www1.hp.com/products/quickspecs/11050\\_div/11050\\_div.html](http://h18000.www1.hp.com/products/quickspecs/11050_div/11050_div.html) (Worldwide)

---

### Options

#### Cluster Options

Compaq ProLiant Cluster HA/F100 for Windows NT and 2000 Advanced Server	309816-B21
Compaq ProLiant Cluster HA/F200 Upgrade Kit (NT 4.0EE to W2K AS)	176848-B22
Compaq ProLiant Cluster HA/F200 for Windows NT and 2000 Advanced Server	380357-B23
Compaq ProLiant Cluster HA/F200 for Windows NT and 2000 Advanced Server (Japan)	380357-293
<b>NOTE:</b> For additional information regarding the Compaq ProLiant Cluster for HA/F100, HA/F200 for Windows NT and 2000 Advanced Server please see the following QuickSpecs at: <a href="http://h18000.www1.hp.com/products/quickspecs/10777_na/10777_na.html">http://h18000.www1.hp.com/products/quickspecs/10777_na/10777_na.html</a> (North America) <a href="http://h18000.www1.hp.com/products/quickspecs/10777_div/10777_div.html">http://h18000.www1.hp.com/products/quickspecs/10777_div/10777_div.html</a> (Worldwide)	
ProLiant Cluster HA/F500 Enhanced Kit for Enterprise Virtual Array v.2	254623-B22
ProLiant Cluster HA/F500 Basic Kit for Enterprise Virtual Array (v.2)	313047-B21
ProLiant Cluster HA/F500 Basic Kit for MA8000/EMA16000	103250-B25
ProLiant Cluster HA/F500 Enhanced Kit for MA8000/EMA16000	379937-B25
ProLiant Cluster HA/F500 Enhanced DT Kit for MA8000/EMA16000	164227-B23
<b>NOTE:</b> For additional information regarding the Compaq ProLiant Cluster for HA/F500 please see the following QuickSpecs at: <a href="http://h18000.www1.hp.com/products/quickspecs/10232_na/10232_na.html">http://h18000.www1.hp.com/products/quickspecs/10232_na/10232_na.html</a> (North America) <a href="http://h18000.www1.hp.com/products/quickspecs/10232_div/10232_div.html">http://h18000.www1.hp.com/products/quickspecs/10232_div/10232_div.html</a> (Worldwide)	
ProLiant Cluster HA/F500 Basic Kit for MA8000/EMA16000	103250-B25
<b>NOTE:</b> For additional information regarding the Compaq ProLiant Cluster HA/F500 for Enterprise Virtual Array please see the following QuickSpecs at: <a href="http://h18000.www1.hp.com/products/quickspecs/11055_na/11055_na.html">http://h18000.www1.hp.com/products/quickspecs/11055_na/11055_na.html</a> (North America) <a href="http://h18000.www1.hp.com/products/quickspecs/11055_div/11055_div.html">http://h18000.www1.hp.com/products/quickspecs/11055_div/11055_div.html</a> (Worldwide)	
ProLiant Cluster HA/F100 for MSA1000 v2	252408-B22
ProLiant Cluster HA/F100 for MSA1000 v2 (Japan)	252408-292
ProLiant Cluster HA/F200 for MSA1000 v2	252409-B22
ProLiant Cluster HA/F200 for MSA1000 v2 (Japan)	252409-292
<b>NOTE:</b> For additional information regarding the Compaq ProLiant Cluster HA/F100 and HA/F200 for MSA1000, please see the following QuickSpecs at: <a href="http://h18000.www1.hp.com/products/quickspecs/11035_na/11035_na.html">http://h18000.www1.hp.com/products/quickspecs/11035_na/11035_na.html</a> North America <a href="http://h18000.www1.hp.com/products/quickspecs/11035_div/11035_div.html">http://h18000.www1.hp.com/products/quickspecs/11035_div/11035_div.html</a> (Worldwide)	
ProLiant Cluster HA/L100 LifeKeeper for Linux	303523-B22
<b>NOTE:</b> For additional information regarding the ProLiant Cluster HA/L100 LifeKeeper for Linux, please see the following QuickSpecs at: <a href="http://h18000.www1.hp.com/products/quickspecs/11533_na/11533_na.html">http://h18000.www1.hp.com/products/quickspecs/11533_na/11533_na.html</a> (North America) <a href="http://h18000.www1.hp.com/products/quickspecs/11533_div/11533_div.html">http://h18000.www1.hp.com/products/quickspecs/11533_div/11533_div.html</a> (Worldwide)	
HP Serviceguard for Linux ProLiant Cluster	305199-B21
<b>NOTE:</b> Kit includes 2 licenses, documentation and an Ethernet crossover cable	
HP Serviceguard for Linux License	307554-B21
<b>NOTE:</b> Kit includes single license version and documentation	
<b>NOTE:</b> For additional information regarding the HP Serviceguard for Linux License, please see the following QuickSpecs at: <a href="http://h18000.www1.hp.com/products/quickspecs/11518_na/11518_na.html">http://h18000.www1.hp.com/products/quickspecs/11518_na/11518_na.html</a> (North America) <a href="http://h18000.www1.hp.com/products/quickspecs/11518_na/11518_na.html">http://h18000.www1.hp.com/products/quickspecs/11518_na/11518_na.html</a> (Worldwide)	

### Options

<b>External Storage – Rack</b>	StorageWorks Enclosure Model 4314R (rack-mountable)	201723-B22
	StorageWorks Enclosure Model 4314R (rack-mountable) (Int'l)	218231-B22
	StorageWorks Enclosure Model 4314R (rack-mountable) (Japan)	218960-B21
	StorageWorks Enclosure Model 4354R (rack-mountable)	218232-B21
	StorageWorks Enclosure Model 4354R (rack-mountable) (Int'l)	245299-B21
	StorageWorks Enclosure Model 4354R (rack-mountable) (Japan)	286763-B21
	<b>NOTE:</b> The StorageWorks Enclosure 4300 Family supports the Wide Ultra2/Ultra3 1" Hot Plug Hard Drives.	
	StorageWorks Enclosure 4200 Redundant Power Supply Option	119826-B21
	StorageWorks Enclosure 4200 Ultra3 Single Bus I/O Module Option	190212-B21
	StorageWorks Enclosure 4200 Ultra3 Dual Bus I/O Module Option	190213-B21
StorageWorks Enclosure Tower to Rack Conversion Kit	150213-B21	

<b>MSA1000</b>	MSA1000	201723-B22
	MSA1000 Controller	218231-B22
	MSA Fibre Channel I/O Module	218960-B21
	MSA1000 Fabric Switch	218232-B21
	MSA1000 Fibre Channel Adapter (FCA) 2101	245299-B21
	HP StorageWorks msa hub 2/3	286763-B21

**NOTE:** Please see the StorageWorks by Compaq Modular SAN Array 1000 QuickSpecs for additional options and configuration information at:

[http://h18000.www1.hp.com/products/quickspecs/11033\\_na/11033\\_na.HTML](http://h18000.www1.hp.com/products/quickspecs/11033_na/11033_na.HTML) (North America)

[http://h18000.www1.hp.com/products/quickspecs/11033\\_div/11033\\_div.HTML](http://h18000.www1.hp.com/products/quickspecs/11033_div/11033_div.HTML) (Worldwide)

<b>StorageWorks Modular Array 8000/Enterprise Modular Array 12000</b>	EMA12000 D14 60Hz	175990-B21
	EMA12000 D14 50Hz	175990-B22
	EMA12000 S14 60Hz	175991-B21
	EMA12000 S14 50Hz	175991-B22
	MA8000 60Hz	175992-B21
	MA8000 50Hz	175992-B22
	EMA12000 Blue 60Hz	175993-B21
	EMA12000 Blue 50Hz	175993-B22

**NOTE:** Options include controller, solution kits, ACS. MA8000/EMA12000 includes controller shelf, drive shelves and cabinet. Packaging upgrade to RA8000/ESA12000.

**NOTE:** Please see the StorageWorks MA8000/EMA12000 QuickSpecs for FC Hubs, FC switches, platform software, host adapters, disks and options for complete solutions at:

[http://h18000.www1.hp.com/products/quickspecs/10545\\_na/10545\\_na.HTML](http://h18000.www1.hp.com/products/quickspecs/10545_na/10545_na.HTML) (North America)

[http://h18000.www1.hp.com/products/quickspecs/10545\\_div/10545\\_div.HTML](http://h18000.www1.hp.com/products/quickspecs/10545_div/10545_div.HTML) (Worldwide)

### Options

<b>StorageWorks Enterprise Modular Array 16000 FC</b>	EMA16000 D14 50Hz (opal)	238792-B22
	EMA16000 D14 60Hz (opal)	238792-B21
	EMA16000 S14 50Hz (opal)	238791-B22
	EMA16000 S14 60Hz (opal)	238791-B21

**NOTE:** Models include: Dual HSG80 controllers in each Model 2200 enclosure (2 pairs per single bus configuration, 4 pairs per dual bus configuration) with 1GB cache per controller pair, and 12 14-bay drive enclosures with redundant power supplies. Configure-to-Order (CTO) builds are available. Options include ACS, platform kits and software by HP.

**NOTE:** Please see the StorageWorks EMA16000 QuickSpecs for FC switches, platform software, host adapters, disks and options for complete solutions at:

[http://h18000.www1.hp.com/products/quickspecs/10812\\_na/10812\\_na.HTML](http://h18000.www1.hp.com/products/quickspecs/10812_na/10812_na.HTML) (North America)

[http://h18000.www1.hp.com/products/quickspecs/10812\\_div/10812\\_div.HTML](http://h18000.www1.hp.com/products/quickspecs/10812_div/10812_div.HTML) (Worldwide)

<b>StorageWorks Options</b>	StorageWorks SAN Switch 2/8-EL	258707-B21
	StorageWorks SAN Switch 2/8-EL Upgrade	288162-B21
	StorageWorks SAN Switch 2/16-EL	283056-B21
	StorageWorks SAN Switch 2/16-EL Upgrade	288250-B21

**UPS and PDU Power Cord Matrix** *Please see the UPS and PDU cable matrix that lists cable descriptions, requirements, and specifications for UPS and PDU units:*

<ftp://ftp.compaq.com/pub/products/servers/ProLiantstorage/power-protection/powercordmatrix.pdf>.

**NOTE:** This Web site is available in English only.

<b>Uninterruptible Power Systems – Rack</b>	Compaq UPS R1500 XR (1440VA, 1340 Watt), Low Voltage (NA)	204404-001
	Compaq UPS R1500 XR (1500VA, 1340 Watt), High Voltage (Int'l)	204404-B31
	Compaq UPS R1500 XR (1500VA, 1340 Watt), Low Voltage (Japan)	204404-291
	Compaq UPS R3000 XR (2880VA, 2700 Watt), Low Voltage (NA)	192186-001
	Compaq UPS R3000 XR (3000VA, 2700 Watt), High Voltage (NA)	192186-002
	Compaq UPS R3000 XR (2400VA, 2250 Watt), Low Voltage (Japan)	192186-291
	Compaq UPS R3000 XR (3000VA, 2700 Watt), High Voltage (Japan)	192186-292
	Compaq UPS R3000 XR (3000VA, 2700 Watt), High Voltage (Int'l - detachable cord)	192186-B31
	Compaq UPS R3000 XR (3000VA, 2700 Watt), High Voltage (16A IEC309 Plug)	192186-B32
	Compaq UPS R3000 XR (3000VA, 2700 Watt), High Voltage (16A CEE 7/7 SCHUKO Plug)	192186-B33
	Compaq UPS R3000 XR (3000VA, 2700 Watt), High Voltage (16A BS-546 Plug)	192186-AR1
	Rack-Mountable UPS R6000 (6000VA, 6000 Watt) High Voltage (NA)	347207-001
	<b>NOTE:</b> The UPS R6000 has a hardwired input.	
	Rack-Mountable UPS R6000 (6000VA, 6000 Watt) High Voltage (Int'l)	347207-B31
	<b>NOTE:</b> The UPS R6000 has a hardwired input.	
	Rack-Mountable UPS R6000 (6000VA, 6000 Watt) High Voltage (Japan)	347207-291
	<b>NOTE:</b> The UPS R6000 has a hardwired input.	
	UPS R12000 XR N+x (200-240V) (WW-hardwired)	207552-B22
	<b>NOTE:</b> The UPS R12000 XR has a hardwired input and output; requires a 100A circuit.	

### Options

<b>UPS Options</b>	SNMP Serial Port Card	192189-B21
	<b>NOTE:</b> Supports tower and rack UPS XR models ranging from 1000 – 3000VA.	
	Six Port Card	192185-B21
	<b>NOTE:</b> Supports tower and rack UPS XR models ranging from 1000 – 3000VA.	
	High to Low Voltage Transformer (250VA)	388643-B21
	<b>NOTE:</b> Supports R6000 UPS series only. 2.5 amps @ 125 Volts max output across two NEMA 5-15.	
	Extended Runtime Module, T1000 XR	218967-B21
	<b>NOTE:</b> 2U each, two ERM maximum.	
	Extended Runtime Module, T1500 XR/T2200 XR	218969-B21
	<b>NOTE:</b> 3U each, one ERM maximum.	
	Extended Runtime Module, R1500 XR	218971-B21
	<b>NOTE:</b> 2U each, two ERM maximum.	
	Extended Runtime Module, R3000 XR	192188-B21
	<b>NOTE:</b> 3U each, one ERM maximum.	
	Extended Runtime Module, R6000	347224-B21
	<b>NOTE:</b> 3U each, two ERM maximum.	
	Extended Runtime Module, R12000 XR, 4U	217800-B21
	<b>NOTE:</b> 4U each, two ERM maximum.	
	R12000 XR BackPlate Receptacle Kit, (2) L6-30R (NA)	325361-001
	<b>NOTE:</b> The R12000 XR BackPlate Kit has a hardwired input.	
R12000 XR BackPlate Receptacle Kit, (2) IEC-309R (WW)	325361-B21	
<b>NOTE:</b> The R12000 XR BackPlate Kit has a hardwired input.		
SNMP-EN Adapter	347225-B21	
<b>NOTE:</b> Supports R6000 UPS series only.		
Multi-Server UPS Card	123508-B21	
<b>NOTE:</b> Supports R6000 UPS series only.		
Scalable UPS Card	123509-B21	
<b>NOTE:</b> Supports R6000 UPS series only.		
<hr/>		
<b>Rack-Mountable PDU's – 1U/0U</b> (Up to 12 Outlets) <b>NOTE:</b> 0U mounting brackets shipped with the unit (separate option kit for 1U mounting).	Compaq Power Distribution Unit-16A (200-240V) (WW)	207590-B21
	<b>NOTE:</b> The 16A PDU also connects to the high volt models of the UPS R3000 XR (need cable PN 340653-001 (NA)) and the UPS R6000 models. Cable PN 340653-001 required if connecting to UPS R3000 XR (192186-002 NA-High Volt model only).	
	Compaq Power Distribution Unit-32A (200-240V) (Int'l)	207590-B31
	Compaq Power Distribution Unit-40A (200-240V) (WW)	207590-B23
	<b>NOTE:</b> Please see the following Power Distribution Unit (Zero-U/1U PDU) QuickSpecs for additional options including cables: <a href="http://h18000.www1.hp.com/products/quickspecs/10838_na/10838_na.HTML">http://h18000.www1.hp.com/products/quickspecs/10838_na/10838_na.HTML</a> (North America) <a href="http://h18000.www1.hp.com/products/quickspecs/10838_div/10838_div.HTML">http://h18000.www1.hp.com/products/quickspecs/10838_div/10838_div.HTML</a> (Worldwide)	

### Options

<b>Modular PDUs 1U/0U</b> (Up to 32 outlets) <b>NOTE:</b> 1U/0U mounting brackets shipped with the unit (optimized for 10000 and 9000 series racks).	HP Modular Power Distribution Units (mPDU), Low Volt Model, 24A (100-127 VAC) (NA, Japan)	252663-D71
	<b>NOTE:</b> This mPDU (252663-D71) may also be used to connect the low volt model of the UPS R3000 XR.	
	HP Modular Power Distribution Units (mPDU), High Volt Model, 24A (200-240 VAC) (NA, Japan)	252663-D72
	HP Modular Power Distribution Units (mPDU), High Volt Model, 32A (200-240 VAC) (Int'l)	252663-B31
	HP Modular Power Distribution Units (mPDU), High Volt Model, 40A (200-240 VAC) (WW) <b>NOTE:</b> This mPDU (252663-B21), 40A model has a hardwired input.	252663-B21
	HP Modular Power Distribution Units (mPDU), High Volt Model, 16A (200-240 VAC) (WW) <b>NOTE:</b> This PDU has a detachable input power cord and allows for adaptability to country specific power requirements. This model may also be used with the high volt UPSs R3000 XR and R6000 For North America, need to order cable PN 340653-001. <b>NOTE:</b> Please see the following Modular Power Distribution Unit (Zero-U/1U Modular PDUs) QuickSpecs for additional options including shorter jumper cables and country specific power cords: <a href="http://www5.compaq.com/products/quickspecs/11041_na/11041_na.HTML">http://www5.compaq.com/products/quickspecs/11041_na/11041_na.HTML</a> (North America) <a href="http://www5.compaq.com/products/quickspecs/11041_div/11041_div.HTML">http://www5.compaq.com/products/quickspecs/11041_div/11041_div.HTML</a> (Worldwide)	252663-B24
<b>PDU Options</b>	Third Party Modular PDU Mounting Kit	310777-B21
	<b>NOTE:</b> This kit allows you to mount the Modular PDUs in racks other than the 9000/10000 Series racks (any racks using the standard 19" rail). For more details please refer the Modular PDU QuickSpecs.	
	4.5' IEC C 13 to IEC C14 PDU Jumper Cable (1 per pack)	142257-006
	4.5' IEC C 13 to IEC C14 PDU Jumper Cable (15 per pack)	142257-007
<b>Rack Builder</b>	Please see the Rack Builder for configuration assistance at <a href="http://h18000.www1.hp.com/products/servers/proliantstorage/rack-options/index.html">http://h18000.www1.hp.com/products/servers/proliantstorage/rack-options/index.html</a> .	
	<b>NOTE:</b> This Web site is available in English only.	

### Options

<b>HP Rack 10000 Series</b> (Graphite Metallic)	S10614 (14U) Rack Cabinet - Shock Pallet	292302-B22
	HP Rack 10842 (42U, 800mm wide) – Pallet	257415-B21
	HP Rack 10842 (42U, 800mm wide) – Shock Pallet	257415-B22
	HP Rack 10647 (47U) – Pallet	245160-B21
	HP Rack 10647 (47U) – Crated	245160-B23
	HP Rack 10642 (42U) – Pallet	245161-B21
	HP Rack 10642 (42U) – Shock Pallet	245161-B22
	HP Rack 10642 (42U) – Crated	245161-B23
	HP Rack 10636 (36U) – Pallet	245162-B21
	HP Rack 10636 (36U) – Shock Pallet	245162-B22
	HP Rack 10636 (36U) – Crated	245162-B23
	HP Rack 10622 (22U) – Pallet	245163-B21
	HP Rack 10622 (22U) – Shock Pallet	245163-B22
	HP Rack 10622 (22U) – Crated	245163-B23

**NOTE:** -B21 (pallet) used to ship empty racks shipped on a truck

-B22 (shock pallet) used to ship racks with equipment installed (by custom systems, VARs and Channels)

-B23 (crated) used for air shipments of empty racks

**NOTE:** It is mandatory to use a shock pallet in order to ship racks with equipment installed. Not all Compaq equipment is qualified to be shipped in the Rack 10000 series

**NOTE:** Please see the Rack 10000 QuickSpecs for Technical Specifications such as height, width, depth, weight, and color:

[http://h18000.www1.hp.com/products/quickspecs/10995\\_div/10995\\_div.HTML](http://h18000.www1.hp.com/products/quickspecs/10995_div/10995_div.HTML) (Worldwide)

[http://h18000.www1.hp.com/products/quickspecs/10995\\_na/10995\\_na.HTML](http://h18000.www1.hp.com/products/quickspecs/10995_na/10995_na.HTML)

(North America)

**NOTE:** For additional information regarding Rack Cabinets, please see the following URL:

<http://h18000.www1.hp.com/products/servers/proliantstorage/rack-options/index.html>

<b>Compaq Rack 9000 Series</b> (opal)	Compaq Rack 9142 (42U) – Pallet	120663-B21
	Compaq Rack 9142 (42U) – Shock Pallet	120663-B22
	Compaq Rack 9142 (42U) – Crated	120663-B23
	Compaq Rack 9136 (36U) – Pallet	120664-B21
	Compaq Rack 9136 (36U) – Shock Pallet	120664-B22
	Compaq Rack 9136 (36U) – Crated	120664-B23
	Compaq Rack 9122 (22U) – Pallet	120665-B21
	Compaq Rack 9122 (22U) – Shock Pallet	120665-B22
	Compaq Rack 9122 (22U) – Crated	120665-B23
	Compaq Rack 9842 (800mm wide, 42U) – Pallet	222192-B21

**NOTE:** -B21 (pallet) used to ship empty racks shipped on a truck

-B22 (shock pallet) used to ship racks with equipment installed (by custom systems, VARs and Channels)

-B23 (crated) used for air shipments of empty racks

**NOTE:** Please see the Rack 9000 QuickSpecs for Technical Specifications such as height, width, depth, weight, and color:

[http://h18000.www1.hp.com/products/quickspecs/10366\\_div/10366\\_div.HTML](http://h18000.www1.hp.com/products/quickspecs/10366_div/10366_div.HTML) (Worldwide)

[http://h18000.www1.hp.com/products/quickspecs/10366\\_na/10366\\_na.HTML](http://h18000.www1.hp.com/products/quickspecs/10366_na/10366_na.HTML) (North America)

**NOTE:** For additional information regarding Rack Cabinets, please see the following URL:

<http://h18000.www1.hp.com/products/servers/proliantstorage/rack-options/index.html>



## Options

<b>Rack Options for HP Rack 10000 Series</b>	Rack Blanking Panels – Graphite (Multi)	253214-B26
	<b>NOTE:</b> Contains one each of 1U, 2U, 4U and 8U.	
	Rack Blanking Panels – Graphite (1U)	253214-B21
	<b>NOTE:</b> The Rack Blanking Panels (PN 253214-B21) contains 10 each of (1U).	
	Rack Blanking Panels – Graphite (2U)	253214-B22
	<b>NOTE:</b> The Rack Blanking Panels (PN 253214-B21) contains 10 each of (2U).	
	Rack Blanking Panels – Graphite (3U)	253214-B23
	<b>NOTE:</b> The Rack Blanking Panels (PN 253214-B21) contains 10 each of (3U).	
	Rack Blanking Panels – Graphite (4U)	253214-B24
	<b>NOTE:</b> The Rack Blanking Panels (PN 253214-B21) contains 10 each of (4U).	
	Rack Blanking Panels – Graphite (5U)	253214-B25
	<b>NOTE:</b> The Rack Blanking Panels (PN 253214-B21) contains 10 each of (5U).	
	800mm Wide Stabilizer Kit (Graphite)	255488-B21
	<b>NOTE:</b> Supported by the Rack 10842 cabinet only.	
	600mm Stabilizer Kit – Graphite	246107-B21
	Baying Kit for Rack 10000 series (Carbon)	248929-B21
	42U Side Panel – Graphite Metallic	246099-B21
	110V Fan Kit (Graphite)	257413-B21
	<b>NOTE:</b> Roof Mount Includes power cord with IEC320-C13 to Nema 5-15P.	
	220V Fan Kit (Graphite)	257414-B21
	<b>NOTE:</b> Roof Mount Includes power cord with IEC320-C13 to Nema 6-15P.	
	36U Side Panel – Graphite Metallic	246102-B21
	47U Side Panel – Graphite Metallic	255486-B21
	9000/10000 Series Offset Baying Kit (42U)	248931-B21
	<b>NOTE:</b> This kit can be used to connect 9000 and 10000 series racks of the same U height together. Kit contents include hardware for connecting racks and a panel to cover the 100mm gap at the rear of the two racks.	
	<b>NOTE:</b> For additional information regarding Rack Options, please see the following URL: <a href="http://h18000.www1.hp.com/products/servers/proliantstorage/rack-options/index.html">http://h18000.www1.hp.com/products/servers/proliantstorage/rack-options/index.html</a>	

### Options

<b>Rack Options for Compaq Rack 9000 Series</b>	Baying/Coupling Kit	120669-B21
	42U Side Panel	120670-B21
	<b>NOTE:</b> The 42U Side Panel (PN 120670-B21) supports the Compaq Rack 9142 and Compaq Rack 9842.	
	36U Side Panel	120671-B21
	<b>NOTE:</b> The 36U Side Panel (PN 120671-B21) supports the Compaq Rack 9136.	
	600mm Stabilizer Option Kit	120673-B21
	800mm Stabilizer Option Kit (Opal)	234493-B21
	<b>NOTE:</b> The 800mm Stabilizer Kit (PN 234493-B21) supports the Rack 9842 only.	
	9142 Extension Kit	120679-B21
	<b>NOTE:</b> The 9142 Extension Kit (PN 120679-B21) supports the Compaq Rack 9142 only.	
	9142 Split Rear Door (Opal)	254045-B21
	<b>NOTE:</b> The 9142 Split Rear Door (PN 254045-B21) supports the 600 mm wide, 42U 9000 series rack.	
	9136 Extension Kit	218216-B21
	9142 Short Rear Door	218217-B21
	<b>NOTE:</b> The 9142 Short Rear Door (PN 218217-B21) supports the Compaq Rack 9142 only.	
	9136 Short Rear Door	218218-B21
	Rack Blanking Panel (Multi)	169940-B21
	<b>NOTE:</b> Kit includes four panels in 1U, 2U, 4U, and 8U.	
	Rack Blanking Panels (1U)	189453-B21
	<b>NOTE:</b> The Rack Blanking Panels (PN 189453-B21) contains 10 each of (1U).	
Rack Blanking Panels (2U)	189453-B22	
<b>NOTE:</b> The Rack Blanking Panels (PN 189453-B21) contains 10 each of (2U).		
Rack Blanking Panels (3U)	189453-B23	
<b>NOTE:</b> The Rack Blanking Panels (PN 189453-B21) contains 10 each of (3U).		
Rack Blanking Panels (4U)	189453-B24	
<b>NOTE:</b> The Rack Blanking Panels (PN 189453-B21) contains 10 each of (4U).		
Rack Blanking Panels (5U)	189453-B25	
<b>NOTE:</b> The Rack Blanking Panels (PN 189453-B21) contains 10 each of (5U).		
9000/10000 Series Offset Baying Kit (42U)	248931-B21	
<b>NOTE:</b> This kit can be used to connect 9000 and 10000 series racks of the same U height together. Kit contents include hardware for connecting racks and a panel to cover the 100mm gap at the rear of the two racks.		
<b>NOTE:</b> For additional information regarding Rack Options, please see the following URL: <a href="http://h18000.www1.hp.com/products/servers/proliantstorage/rack-options/index.html">http://h18000.www1.hp.com/products/servers/proliantstorage/rack-options/index.html</a>		

<b>Rack Options for Compaq Rack 7000 Series</b>	High Air Flow Rack Door Insert for the 7122 Rack	157847-B21
	High Air Flow Rack Door Insert for the 7142 Rack (single)	327281-B21
	High Air Flow Rack Door Insert for the 7142 Rack (6-pack)	327281-B22
	Compaq Networking Cable Management Kit	292407-B21
	Compaq Rack Extension Kit for 7142	154392-B21
	<b>NOTE:</b> For additional information regarding Rack Options, please see the following URL: <a href="http://h18000.www1.hp.com/products/servers/proliantstorage/rack-options/index.html">http://h18000.www1.hp.com/products/servers/proliantstorage/rack-options/index.html</a>	

<b>Rack Options for Rack 7000, 9000 and 10000 Series</b>	Monitor Utility Shelf- opal	303606-B21
	Ballast Option Kit	120672-B21
	Rack Rail Adapter Kit (25" depth)	120675-B21

### Options

100 kg Sliding Shelf	234672-B21
Monitor/Utility Shelf - Graphite	253449-B21
Depth Adjustable Fixed Rail	332558-B21
Cable Management D-Rings Kit	168233-B21
Console Management Controller (CMC) Option Kit	203039-B21
Console Management Controller (CMC) Sensors Option Kit	203039-B22
Console Management Controller (CMC) Locking Option Kit	203039-B23
Console Management Controller (CMC) Smoke Sensors Option Kit	203039-B24
Server Console Switch 1 x 2 port (100-230 VAC)	120206-001
Server Console Switch 1 x 2 port (100-230 VAC) (Int'l)	120206-B31
Server Console Switch 1 x 2 port (100-230 VAC) (Japan)	120206-291
Server Console Switch 1 x 4 port (100-230 VAC)	400336-001
Server Console Switch 1 x 4 port (100-230 VAC) (Int'l)	400336-B31
Server Console Switch 1 x 4 port (100-230 VAC) (Japan)	400336-291
Server Console Switch 1 x 8 port (100-230 VAC)	400337-001
Server Console Switch 1 x 8 port (100-230 VAC) (Int'l)	400337-B31
Server Console Switch 1 x 8 port (100-230 VAC) (Japan)	400337-291
Server Console Switch 2 x 8 port (100-230 VAC)	400338-001
Server Console Switch 2 x 8 port (100-230 VAC) (Int'l)	400338-B31
Server Console Switch 2 x 8 port (100-230 VAC) (Japan)	400338-291
Server Console Switch 2 x 8 port (48VDC)	400542-B21
IP Console Switch Box, 1x1x16	262585-B21
IP Console Switch Box, 3x1x16	262586-B21
IP Console Interface Adapter, 8 pack	262587-B21
IP Console Interface Adapter, 1 pack	262588-B21
IP Console Expansion Module	262589-B21
KVM 9 PIN Adapter (4 Pack)	149361-B21
CPU to Server Console Cable, 12'	110936-B21
CPU to Server Console Cable, 20'	110936-B22
CPU to Server Console Cable, 40'	110936-B23
CPU to Server Console Cable, 3'	110936-B24
CPU to Server Console Cable, 7'	110936-B25
CPU to Server Console Cable (Plenum Rated) 20'	149363-B21
CPU to Server Console Cable (Plenum Rated) 40'	149364-B21
IP CAT5 Cable 3', 4 pack	263474-B21
IP CAT5 Cable 6', 8 pack	263474-B22
IP CAT5 Cable 12', 8 pack	263474-B23
IP CAT5 Cable 20', 4 pack	263474-B24
IP CAT5 Cable 40', 1 pack	263474-B25
Switch Box Connector Kit (115V)	144007-001
Switch Box Connector Kit (230V)	144007-002
Switch Box Connector Kit (high voltage)	144007-B33
1U Rack Keyboard & Drawer (Carbon)	257054-xx1

**NOTE:** The 1U Rack Keyboard & Drawer (PN 257054-xx1).

**Country Code Key** (for 1U Rack Keyboard & Drawer (PN 257054-xx1))

### Options

XX = 001	US	XX = 091	Norway
XX = 031	UK	XX = 101	Sweden/Finland
XX = 041	Germany	XX = 111	Switzerland
XX = 051	France	XX = 131	Portugal
XX = 061	Italy	XX = 181	Belgium
XX = 071	Spain	XX = 291	Japan
XX = 081	Denmark	XX = B31	International

TFT5600 Rack Keyboard Monitor 221546-xx1

**Country Code Key** (for TFT5600RKM 221546-xx1)

XX = 001	US	XX = 091	Norway
XX = 031	UK	XX = 101	Sweden/Finland
XX = 041	Germany	XX = 111	Switzerland
XX = 051	France	XX = 131	Portugal
XX = 061	Italy	XX = 181	Belgium
XX = 071	Spain	XX = 291	Japan
XX = 081	Denmark	XX = B31	International

PCI KVM Management Card Kit 232983-B21

Local Access Cable Kit 232984-B21

PCI KVM Remote Card Kit 232985-B21

Input Device Adjustable Rails 287139-B21

**NOTE:** Input Device Adjustable Rails (287139-B21) are for use with the TFT5110R, TFT5600RKM and integrated keyboard/drawer which is used in mounting into third party racks.

Input Device Telco Rail 287138-B21

**NOTE:** Input Device Adjustable Rails (287138-B21) are for use ONLY with the TFT5110R, TFT5600RKM and integrated keyboard/drawer which is used in mounting into third party racks.

Keyboard/Monitor/Mouse extension cables 169989-001

**NOTE:** For additional information regarding Rack Options, please see the following URL:  
<http://h18000.www1.hp.com/products/servers/proliantstorage/rack-options/index.html>

### Rack Options for Third Party Cabinet Racks

Rack Options for Third Party Cabinet Racks	228892-B21
Third Party, 4-Post Sliding Rail Kit	228894-B21

### Service and Support Offerings (HP Care Pack Services)

**Hardware Services 4-Hour On-site Service**

4-Hour On-site Service, 9-Hour x 5-Day Coverage, 3 Years (6-3 Part Number for US)	162658-002
4-Hour On-site Service, 9-Hour x 5-Day Coverage, 3 Years (6-3 Part Number for Canada)	162658-122
4-Hour On-site Service, 9-Hour x 5-Day Coverage, 3 Years (6-3 Part Number for EMEA)	324417-002
4-Hour On-site Service, 24-Hour x 7-Day Coverage, 3 Years (6-3 Part Number for US)	162657-002
4-Hour On-site Service, 24-Hour x 7-Day Coverage, 3 Years (6-3 Part Number for Canada)	162657-122
4-Hour On-site Service, 24-Hour x 7-Day Coverage, 3 Years (6-3 Part Number for EMEA)	376912-022

### Options

#### **Installation & Start-up Services**

Hardware Installation (6-3 Part Number for US)	401792-002
Hardware Installation (6-3 Part Number for Canada)	401792-122
Hardware Installation (6-3 Part Number for EMEA)	Quote
Pre-installation planning; unpack equipment, install most current Compaq HW options internal to server at same time of server installation; assemble & test; basic user information provided; Install & configure basic functionality of Win NT Operating System plus up to 1 day start-up activity, configure print & network access services, and orientation (6-3 Part Number for U.S.)	240014-002
Pre-installation planning; unpack equipment, install most current Compaq HW options internal to server at same time of server installation; assemble & test; basic user information provided; Install & configure basic functionality of Novell NetWare Operating System plus up to 1 day start-up activity, configure print & network access services, and orientation (6-3 Part Number for U.S.)	240009-002
Server Installation and Set-Up (Installation of the server, installation of the appropriate service tools, check to ensure device SW and firmware is loaded and installation of the operating system software(6-3 Part Number for EMEA)	204563-022

#### **Care Pack Priority Services for ProLiant Servers – Priority Level**

9 x 5 HW, 4-hr response, Next Available HW engineer; 9 x 5 Bronze Software Support 2-hr response for Windows NT, Windows 2000, Professional, Server or Advanced Server Operating System, Next Available Specialist (6-3 Part Number for U.S.)	239929-002
9 x 5 HW, 4-hr response, Next Available HW engineer; 9 x 5 Bronze Software Support 2-hr response for Novell NetWare Operating System, Next Available Specialist (6-3 Part Number for U.S.)	239969-002
5 x 9 4-hour H/W, 5 x 9 2-hour O/S (NT & NetWare), Three Years (6-3 Part Number for Canada)	155324-122
5 x 9 4-hour H/W, 5 x 9 2-hour O/S (NT & NetWare), Three Years (6-3 Part Number for EMEA)	179835-022

#### **CarePaq Priority Services for ProLiant Servers – Priority 24 Level**

24 x 7 HW, 4-hr response, Named HW engineer; 24 x 7 Bronze Software Support, 2-hr response for Windows NT, Windows 2000, Professional, Server or Advanced Server Operating System, Next Available Specialist (6-3 Part Number for U.S.)	239931-002
24 x 7 HW, 4-hr response, Named HW engineer; 24 x 7 Bronze Software Support, 2-hr response for Novell NetWare Operating System, Next Available Specialist (6-3 Part Number for U.S.)	239971-002
7 x 24 4-hour H/W, 7 x 24 2-hour O/S (NT & NetWare), Three years (6-3 Part Number for EMEA)	179840-022

#### **CarePaq Priority Services for ProLiant Servers – Priority Plus Level**

7 x 24 4-hour H/W, 7 x 24 1-hour O/S (NT & NetWare), SPS account review, Three Years (6-3 Part Number for Canada)	155332-122
---	------------

#### **CarePaq Priority Services for ProLiant Servers – Priority Silver**

24 x 7 HW, 4-hr response, Named HW engineer; 24 x 7 Silver Software Support, 1-hr response, Monday – Friday, 8AM – 5PM local time, 2-hr response after hours for Windows NT, Windows 2000, Professional, Server or Advanced Server Operating System, Technical Account Manager, Technical Newsletter, SW activity review, proactive patch notification, 1 System Healthcheck per year (6-3 Part Number for U.S.)	239933-002
24 x 7 HW, 4-hr response, Named HW engineer; 24 x 7 Silver Subsequent System Support for Windows NT, Windows 2000, Professional, Server or Advanced Server Operating System (6-3 Part Number for U.S.)	239935-002
24 x 7 HW, 4-hr response, Named HW engineer; 24 x 7 Silver Software Support, 1-hr response, Monday – Friday, 8AM – 5PM local time, 2-hr response after hours for Novell NetWare Operating System, Technical Account Manager, Technical Newsletter, SW activity review (6-3 Part Number for U.S.)	239973-002
24 x 7 HW, 4-hr response, Named HW engineer; 24 x 7 Silver Subsequent System Support for Novell NetWare Operating System (6-3 Part Number for U.S.)	239975-002

#### **CarePaq Priority Services for ProLiant Servers – Priority Premier Level**

7 x 24 2-hour H/W, 7 x 24 1-hour O/S (NT & NetWare), SPS Account Review, Proactive Management Review, named S/w rep, Three Years (6-3 Part Number for Canada)	155336-122
---	------------

### Options

**CarePaq Priority Services for ProLiant Servers – Priority Executive Premier Level**

7 x 24 2-hour H/W, 7 x 24 30-minute O/S (NT & NetWare), SPS Account Review, Proactive Management Review, named S/w rep, Three Years (6-3 Part Number for Canada)

155340-122

**NOTE:** For more information, customer/resellers can contact <http://www.hp.com/hps/>.

---

### Memory

#### Compaq ProLiant DL380 G2 All Models

##### Standard Memory

256-MB PC133-MHz Registered ECC SDRAM installed (2 x 128-MB SDRAM)

##### Standard Memory Plus Optional Memory

Up to 4,352-MB memory is available with the optional installation of PC133-MHz Registered ECC SDRAM memory kits.

##### Standard Memory Replaced with Optional Memory

Up to 6,144-MB of memory is available with the removal of the standard 256-MB of memory and the optional installation of PC133-MHz Registered ECC SDRAM memory kits.

**NOTE:** Chart does not represent all possible configurations.

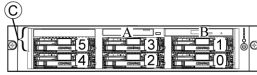
Memory		Slot					
		1	2	3	4	5	6
Standard	256 MB	128 MB	Empty	Empty	128 MB	Empty	Empty
Optional	4,352 MB	128 MB	1024 MB	1024 MB	128 MB	1024 MB	1024 MB
Maximum	6,144 MB	1024 MB	1024 MB	1024 MB	1024 MB	1024 MB	1024 MB

**NOTE:** slots 3 and 6 can be configured as online spare memory through RBSU.

Following are memory options available from Compaq:

- 2048-MB PC133-MHz Registered ECC SDRAM Memory Option Kit (2 x 1024 MB) 201695-B21
- 1024-MB PC133-MHz Registered ECC SDRAM Memory Option Kit (2 x 512 MB) 201694-B21
- 512-MB PC133-MHz Registered ECC SDRAM Memory Option Kit (2 x 256 MB) 201693-B21
- 256-MB PC133-MHz Registered ECC SDRAM Memory Option Kit (2 x 128 MB) 201692-B21

### Storage



C	0 - 5	Six 1" Wide Ultra3 SCSI hot plug hard drive bays
A		1.44-MB Diskette Drive
B		24x IDE CD-ROM (Slimline)
C		1.6" drive bay – supports either (1) 1" Hot Plug Drive or (1) 1.6" AIT or 20/40-GB DAT Hot Plug Tape Drive

### Hard Drives

#### Ultra320 Hot Pluggable Drives

	Quantity Supported	Position Supported	Controller
<b>1-inch</b>	Up to 6	0-5	
146.8-GB 10,000 rpm			Smart Array 5i Controller (integrated on system board)
72.8-GB 10,000 rpm			Smart Array 532 Controller
36.4-GB 10,000 rpm			Smart Array 5302/128 Controller
72.8-GB 15,000 rpm			Smart Array 5304/256 Controller
36.4-GB 15,000 rpm			Smart Array 5312 Controller
18.2-GB 15,000 rpm			64-Bit/66-MHz Dual Channel Wide Ultra3 SCSI Adapter 64-Bit/66-MHz Single Channel Wide Ultra3 SCSI Adapter 64-Bit/133-MHz Dual Channel Ultra320 SCSI Adapter

**NOTE:** All U320 Universal Hard Drives are backward compatible to U2 or U3 speeds. U320 drives require an optional U320 Smart Array Controller or U320 SCSI HBA to support U320 transfer rates.

### External Storage

	Quantity Supported	Position Supported	Controller
StorageWorks Enclosure 4300 Family (supports Ultra2/Ultra3 1" drives only)	Up to 13	External	Smart Array 532 Controller Smart Array 5302/128 Controller Smart Array 5304/256 Controller Smart Array 5312 Controller 64-bit/66-MHz Dual Channel Wide Ultra3 SCSI Adapter 64-bit/66-MHz Single Channel Wide Ultra3 SCSI Adapter 64-Bit/133MHz Dual Channel Ultra320 SCSI Adapter
MSA 1000	Please see the MSA 1000 QuickSpecs below to determine configuration requirements	External	Please see the MSA 1000 QuickSpecs (URL below) for the latest list of supported HBA's

MSA 1000: [http://h18000.www1.hp.com/products/quickspecs/11033\\_div/11033\\_div.HTML](http://h18000.www1.hp.com/products/quickspecs/11033_div/11033_div.HTML)

### Maximum Storage Capacity – (StorageWorks Enclosure SCSI Attached)

Internal	880.8 GB (6 x 146.8 GB Ultra 320 1 <sup>2</sup> )
External	26.717 TB (13 x (14 x 146.8 GB Ultra 320 1 <sup>2</sup> ))
Total	27.598 TB



### Storage

#### Tape Drives

**NOTE:** For an up-to-date listing of the latest O/S Support details for each of the Tape Drives listed below, please see the following:

[http://h18000.www1.hp.com/products/quickspecs/North\\_America/10233.html](http://h18000.www1.hp.com/products/quickspecs/North_America/10233.html) (North America)

<http://h18000.www1.hp.com/products/quickspecs/Division/10233.html> (Worldwide)

**NOTE:** For an up-to-date listing of the latest O/S Support details for each of the Tape Storage Systems listed below, please see the following:

[http://h18000.www1.hp.com/products/quickspecs/North\\_America/10809.html](http://h18000.www1.hp.com/products/quickspecs/North_America/10809.html) (North America)

<http://h18000.www1.hp.com/products/quickspecs/Division/10809.html> (Worldwide)

**NOTE:** Please see the Smart Array 5i Controller QuickSpecs for additional information regarding supported options at:

[http://h18000.www1.hp.com/products/quickspecs/10890\\_NA/10890\\_NA.HTML](http://h18000.www1.hp.com/products/quickspecs/10890_NA/10890_NA.HTML) (North America)

[http://h18000.www1.hp.com/products/quickspecs/10890\\_div.10890\\_div.HTML](http://h18000.www1.hp.com/products/quickspecs/10890_div.10890_div.HTML) (Worldwide)

	Quantity Supported	Position Supported	Controller
Internal AIT 100-GB, Hot Plug	Up to 3	0+ 1, 2+ 3, C	Smart Array 5i Controller
Internal AIT 50-GB, Hot Plug			Smart Array 532 Controller
Internal AIT 35-GB, LVD, Hot Plug			Smart Array 5302/128 Controller
Internal 20/40-GB DAT, Hot Plug			Smart Array 5304/256 Controller
			Smart Array 5312 Controller
			64-bit/66-MHz Dual Channel Wide Ultra3 SCSI Adapter
			64-bit/66-MHz Single Channel Wide Ultra3 SCSI Adapter
			64-Bit/133-MHz Dual Channel Ultra320 SCSI Adapter
			<b>*Note: The Smart Array 532 Controller does not support the AIT 100-GB Hot Plug Tape Drive.</b>
HP StorageWorks AIT 35 GB Autoloader	Up to 1 (for a single HBA) Up to 2 (for a dual HBA)	External	64-bit/66-MHz Dual Channel Wide Ultra3 SCSI Adapter 64-bit/66-MHz Single Channel Wide Ultra3 SCSI Adapter 64-Bit/133-MHz Dual Channel Ultra320 SCSI Adapter
SDLT 110/220-GB, External	Up to 2	External	64-bit/66-MHz Dual Channel Wide Ultra3 SCSI Adapter 64-bit/66-MHz Single Channel Wide Ultra3 SCSI Adapter 64-Bit/133-MHz Dual Channel Ultra320 SCSI Adapter
AIT 100-GB External	2	External	64-bit/66-MHz Dual Channel Wide Ultra3 SCSI Adapter
AIT 50-GB External			64-bit/66-MHz Single Channel Wide Ultra3 SCSI Adapter
AIT 35-GB LVD External			64-Bit/133-MHz Dual Channel Ultra320 SCSI Adapter
External 40/80-GB DLT Enhanced	Up to 3	External	64-Bit/66-MHz Dual Channel Wide Ultra3 SCSI Adapter 64-Bit/66-MHz Single Channel Wide Ultra3 SCSI Adapter 64-Bit/133-MHz Dual Channel Ultra320 SCSI Adapter
SSL2020 AIT Library	Up to 5	External	64-Bit/66-MHz Dual Channel Wide Ultra3 SCSI Adapter 64-Bit/133-MHz Dual Channel Ultra320 SCSI Adapter
MSL5026DLX (40/80GB DLT-based)	2 drives per SCSI channel	External	64-Bit/66-MHz Dual Channel Wide Ultra3 SCSI Adapter
MSL5026SL (SDLT-based) Library			
MSL5052SL (SDLT-based) Library			
MSL5052S2 (SDLT-based) Library			
MSL5030L1 (LTO-based) Library			
MSL5060L1 (LTO-based) Library			
20/40-GB DAT 8 Cassette Autoloader External	Up to 1	External	64-Bit/66-MHz Dual Channel Wide Ultra3 SCSI Adapter 64-Bit/66-MHz Single Channel Wide Ultra3 SCSI Adapter 64-Bit/133-MHz Dual Channel Ultra320 SCSI Adapter
DLT1 1280 SuperLoader	Up to 2	External	64-Bit/66-MHz Dual Channel Wide Ultra3 SCSI Adapter 64-Bit/66-MHz Single Channel Wide Ultra3 SCSI Adapter 64-Bit/133-MHz Dual Channel Ultra320 SCSI Adapter

### Power Specifications

Part Number	194989-001
Spare Kit	19982-B21
Operational Input Voltage Range (V rms)	90 TO 264
Frequency Range (Nominal) (Hz)	47 to 63 (50/60)

Nominal Input Voltage (Vrms)	100	115	208	220	230	240
Max Rated Output Wattage Rating	431	415	403	398	398	398
Nominal Input Current (A rms)	5.8	5.0	2.7	2.5	2.4	2.3
Max Rated Input Wattage Rating (Watts)	571	563	548	541	541	541
Max. Rated VA (Volt-Amp)	583	575	559	552	552	552
Efficiency (%)	70	71	73	74	74	74
Power Factor	0.98	0.98	0.98	0.98	0.98	0.98
Leakage Current (mA)	0.31	0.36	0.65	0.69	0.72	0.75
Maximum Inrush Current (A peak)	50	50	50	50	50	50
Maximum Inrush Current duration	20	20	20	20	20	20

### System Specifications

#### ProLiant DL380 Generation 2 Fully Configured

Up to 2 Processors, 6 Memory Slots, 6 Hard Drives, 3 PCI Slots, and 2 Hot Plug Power Supplies

Nominal Input Voltage (Vrms)	100	115	208	220	230	240
Fully Loaded System Input Wattage (W)	431	415	403	398	398	398
Fully Loaded System Input Current (A rms)	4.4	3.8	2.0	1.8	1.8	1.7
Fully Loaded System Thermal (BTU- Hr)	1435	1415	1376	1357	1357	1357
Fully Loaded System VA (Volt-Amp)	443	437	412	406	406	406
System Leakage with all power supplies loaded (mA)	0.63	0.72	1.30	1.38	1.44	1.50
System Inrush Current with all power supplies loaded (A)	100	100	100	100	100	100
Power cord requirements	Nema 5-15P to IEC320-C13			Option no./Spare no.: See Chart below		
	IEC320-C13 to IEC320-C14			Option no./Spare no.: 142257-002/142258-B21		

#### NOTES:

\* To review typical system power ratings use the Active Answers Power Calculator which is available via the online tool located at URL:

<http://activeanswers.compaq.com/aaconfiguratorcode/>

To drill down to calculators:

- Click on: "ProLiant Servers"
- Click on the Server of interest. Example: DL380 G2
- Click on: "Power Calculator" link. (You may need to scroll down to see it)

### Power Specifications

Power Cords (13 Cord Sets)	
Country	Power Cord Part Number
APD	139867-006
APD	100613-003
APD	100614-003
Australia	100611-007
Europe	100614-003
France	100614-003
Germany	100614-003
Japan	139867-006
PRC	139867-006
PRC	100613-003
PRC	100661-007
UK	100613-003
US	163719-002

### TechSpecs

<b>System Unit</b>	<b>Dimensions (HxWxD)</b>	3.38 x 17.5 x 25.75 in (8.59 x 44.45 x 65.40 cm)
	<b>Weight</b>	Maximum: 60 lb (27.22 kg) No drives: 47.18 lb (20.41 kg)
	<b>Input Requirements (per power supply)</b>	Range Line Voltage 90 to 132 VAC/180 to 265 VAC Nominal Line Voltage 100 to 120 VAC/220 to 240 VAC Rated Input Current 6A (110V) to 3A (220V) Rated Input Frequency 50 to 60 Hz Rated Input Power 600W
	<b>BTU Rating</b>	1,475 BTU/HR
	<b>SCSI Connectors</b>	Three HD68 connectors (2 internal, 1 external) supporting Ultra2
	<b>Power Supply Output</b> Power (per power supply)	Rated Steady-State Power 400W Maximum Peak Power 400W
	<b>Temperature Range</b>	Operating 50° to 95° F (10° to 35° C) Shipping -40° to 158° F (-40° to 70° C)
	<b>Relative Humidity</b> (non-condensing)	Operating 10% to 90% Shipping 5% to 95%
	<b>Maximum Wet Bulb Temperature</b>	82.4° F (28° C)
	<b>Acoustic Noise</b>	Idle (Fixed Disk Drives Spinning) L WAd (BELS) 6.6 L pAm (dBA) 49  Operating (Random Seeks to Fixed Disks) L WAd (BELS) 6.8 L pAm (dBA) 50

### TechSpecs

<b>1.44-MB Diskette Drive</b>	<b>Size</b>	3.5 in	
	<b>LED Indicators</b> (front panel)	Green	
	<b>Read/Write Capacity per Diskette</b> (high/mid/low density)	1.44 MB/1.2 MB/720 KB	
	<b>Drive Supported</b>	One	
	<b>Drive Height</b>	0.50 in (1.27 cm)	
	<b>Drive Rotation</b>	300/360/300 rpm	
	<b>Transfer Rate</b> (high/mid/low)	500/500/250 Kb/s	
	<b>Bytes/Sector</b>	512	
	<b>Sectors/Track</b> (high/mid/low)	18/15/9	
	<b>Tracks/Side</b> (high/low)	80/80	
	<b>Access Times</b>	Track-to-Track (high/mid/low)	3/3/6 ms
		Average (high/mid/low)	174/94/94 ms
		Settling Time	15 ms
		Latency Average	100 ms/83.3 ms/100 ms
	<b>Cylinders</b> (high/low)	80/80	
<b>Read/Write Heads</b>	Two		

<b>24X Max IDE CD-ROM Drive (Slimline)</b>	<b>Disk</b>	Applicable Disk	CD-DA, CD-ROM (Mode 1 and 2) CD-XA, CD-I (Mode 2, Form 1 and 2) CD-I Ready, CD Extra, Video CD, CD-Bridge Photo CD (Single and Multi-session) CD-WO
		Capacity	550 MB (Mode 1, 12 cm) 640 MB (Mode 2, 12 cm)
		Diameter	4.7 x 3.15 in/12 x 8 cm
		Rotational Speed	4200 rpm maximum
		Center Hole	0.6 in/1.524 cm diameter
		Thickness	0.047 in/0.12 cm
		Track Pitch	1.6 $\mu$ m
	<b>Block Size</b>	Mode 0	2,368, 2,352 bytes
		Mode 1	2,352, 2,340, 2,336, 2,048 bytes
		Mode 2	2,352, 2,340, 2,336, 2,048 bytes
	<b>Interface</b>	IDE (ATAPI)	
	<b>Access Times (typical)</b>	Random	< 140 ms
		Full-Stroke	< 300 ms
	<b>Data Transfer Rate</b>	Sustained	150 KB/s (sustained 1X)
		Burst	2100 to 3600 KB/s
	<b>Cache Buffer</b>	128 KB	
	<b>Start-up Time (typical)</b>	< 10 seconds	
	<b>Stop Time</b>	< 5 seconds	
	<b>Operating Conditions</b>	Temperature	41° to 120° F (5° to 55° C)
		Humidity	10% to 80%
	<b>Dimensions</b>	(HxWxD, maximum)	0.5 x 5.16 x 5.12 in (1.27 x 13.1 x 13 cm)
		Weight	< 0.75 lb (< 340 g)

<b>Slim Line CD-RW/DVD-</b>	<b>Shipping Dimensions</b>	13.88 x 11.38 x 9.25 in (35.26 x 28.91 x 23.50 cm)
-----------------------------	----------------------------	--



### TechSpecs

<b>ROM 24X Combo Drive (Multibay)</b>	<b>Shipping Weight</b>	5 lb (2.27 kg)		
	<b>Disk</b>	<b>Applicable Disk</b>	DVD-ROM DVD-R (Read Only) 2.6 GB/side DVD-RAM (Read Only) 5.2 GB/side DVD-RAM (Read Only) CD-ROM Mode-1 data disc CD-ROM Mode-2 data disc CD Audio disc CD-Extra CD-RW CD-R CD Text PhotoCD CD-I (mode 2) CD-I Ready CD-Bridge	
		<b>Capacity</b>	DVD-ROM	DVD-SL 4.7 GB/side DVD-DL 8.5 GB/side Double Sided 9.40 GB/side DVD-R 3.95 GB/side DVD-RAM 2.6 GB/side and 5.2 GB/ CD-ROM Mode-1 650 MB (550 MB) Mode-2 742 MB (640 MB)
		<b>Block Size</b>	DVD	2,048 bytes
			CD	2,352 (Mode-0) 2352, 2340, 2336, 2048 bytes (Mode-1) 2352, 2340, 2336, 2048 bytes (Mode-2)
		<b>Diameter</b>	120 mm, 80 mm (with adapter at vertical mounting mode)	
	<b>Loading Mechanism</b>	Tray type		
	<b>Interface</b>	EIDE (ATAPI)		
	<b>Access Times (typical)</b>	Random	DVD-ROM < 120 ms, CD-ROM < 110 ms	
		Full-Stroke	DVD-ROM < 240 ms, CD-ROM < 160 ms	
	<b>Audio Output Level (typical)</b>	Line-out	CD 0.7 Vrms at 47 Kohms Load	
	<b>Data Transfer Rate (sustained)</b>	DVD-ROM	Single Layer	10.8 MB/sec. Max.
		DVD-RAM	2.77 MB/sec. Max	
		CD-ROM	7.2 MB/sec. Max.	
	<b>Cache Buffer</b>	2 MB		
	<b>Spin-up Time (typical)</b>	less than 10 seconds		
	<b>MTBF</b>	120,000 Power On Hours (POH)		
	<b>Ambient Temperature</b>	Operating	-22° to 140° F (-30° to 60° C)	
	<b>Relative Humidity</b>	Operating	10% to 80%	

### TechSpecs

	Storage/Transportation	5% to 95%
<b>Dimensions</b>	(HxWxD, maximum)	0.5 x 5.04 x 5.1 in (12.7x128x129.4 mm)
<b>Option Kit Contents</b>	DVD-ROM drive with installation guide, warranty card, registration card	

<b>Smart Array 5i Controller (integrated on system board)</b>	<b>Protocol</b>	Wide Ultra3 SCSI
	<b>Processor</b>	32-bit RISC
	<b>XOR engine</b>	Hardware RAID
	<b>Electrical interface</b>	Low Voltage Differential (LVD)
	<b>Simultaneous Drive Transfer Channels</b>	2
	<b>Channel Transfer Rate</b>	320 MB/s total; 160 MB/s per channel
	<b>SCSI Port Connectors</b>	One external and one internal SCSI port
	<b>Memory</b>	32 MB of DRAM used for code, transfer buffers, and non-battery-backed read cache
	<b>Peak transfer rate</b>	160 MB/s
	<b>Logical Drives Supported</b>	32
	<b>Software Upgradeable Firmware</b>	YES
	<b>RAID Support</b>	RAID 5 (Distributed Data Guarding) RAID 1+0 (Striping and Mirroring) RAID 1 (Mirroring) RAID 0 (Striping)
	<b>Disk Drive and Enclosure Protocol Support</b>	Ultra2 and Ultra3

<b>Two Compaq NC3163 Fast Ethernet NIC Embedded 10/100 WOL</b>	<b>Network Interface</b>	10Base-T/100Base-TX
	<b>Compatibility</b>	IEEE 802.3/802.3u compliant
	<b>Data Transfer Method</b>	32-bit bus-master PC
	<b>Network Transfer Rate</b>	10Base-T (Half-Duplex), 10 Mb/s 10Base-T (Full-Duplex), 20 Mb/s 100Base-TX (Half-Duplex), 100 Mb/s 100Base-TX (Full-Duplex), 200 Mb/s
	<b>Connector</b>	RJ-45
	<b>Cable Support</b>	10Base-T Categories 3, 4 or 5 UTP; up to 328 ft (100 m) 100Base-TX Category 5 UTP; up to 328 ft (100 m)

### TechSpecs

<b>Video Controller</b>	<b>Controller Chip</b>	ATI RAGE XL
	<b>Video DRAM</b>	8 MB Video SDRAM
	<b>Data Transfer Method</b>	32-bit PCI
	<b>Support Resolution</b>	Supported Color Depths:
	640 x 480	16.7M, 64K, 256, 16
	800 x 600	16.7M, 64K, 256, 16
	1024 x 768	16.7M, 64K, 256, 16
1152 x 864	16.7M, 64K, 256, 16	
1280 x 1024	16.7M, 64K, 256, 16	
1600 x 1200	64K, 256, 16	
	<b>Connector</b>	VGA

© Copyright 2003 Hewlett-Packard Development Company, L.P.

The information contained herein is subject to change without notice.

Microsoft and Windows NT are US registered trademarks of Microsoft Corporation. Intel is a US registered trademark of Intel Corporation.

The only warranties for HP products and services are set forth in the express warranty statements accompanying such products and services. Nothing herein should be construed as constituting an additional warranty. HP shall not be liable for technical or editorial errors or omissions contained herein.



## Free Manuals Download Website

<http://myh66.com>

<http://usermanuals.us>

<http://www.somanuals.com>

<http://www.4manuals.cc>

<http://www.manual-lib.com>

<http://www.404manual.com>

<http://www.luxmanual.com>

<http://aubethermostatmanual.com>

Golf course search by state

<http://golfingnear.com>

Email search by domain

<http://emailbydomain.com>

Auto manuals search

<http://auto.somanuals.com>

TV manuals search

<http://tv.somanuals.com>