

User Guide

Belt Conveyor

Moducon series

Installation

Operation

Maintenance

Troubleshooting



*Instant Access
Parts and Service
(800) 458-1960
(814) 437-6861*

www.conairnet.com



The Conair Group, Inc.
One Conair Drive
Pittsburgh, PA 15202
Phone: (412) 312-6000
Fax: (412)-312-6227

UGR004/1200

Record your equipment's model and serial number(s) and the date you received it in the spaces provided.

It is important to record the model and serial number(s) of your equipment and the date you received it in the User Guide. Our service department uses this information, along with the manual number, to provide help for the specific equipment you installed.

Keep this User Guide and all manuals, engineering prints and parts lists together for documentation of your equipment.

Date:
Document Number: UGR004/1200
Serial number(s):
Model number(s):
Power Specifications: Amps Volts Phase Cycle

DISCLAIMER: The Conair Group, Inc., shall not be liable for errors contained in this User Guide or for incidental, consequential damages in connection with the furnishing, performance or use of this information. Conair makes no warranty of any kind with regard to this information, including, but not limited to the implied warranties of merchantability and fitness for a particular purpose.

TABLE OF CONTENTS

INTRODUCTION	1-1
Purpose of the User Guide	1-2
How the Guide is Organized	1-2
Your Responsibility as a User	1-2
ATTENTION: Read this so no one gets hurt	1-3
DESCRIPTION	2-1
What is the Belt Conveyor?	2-2
Typical Applications	2-2
Belt Conveyor Features	2-3
Specifications	2-4
Optional Equipment	2-5
INSTALLATION	3-1
Unpacking the Boxes	3-2
Preparing for Installation	3-3
Positioning the Conveyor	3-4
Setting the Height	3-4
Connecting the Main Power	3-5
Adjusting the Conveyor Speed	3-6
OPERATION	4-1
Control Features	4-2
Starting the Conveyor	4-2
Stopping the Conveyor	4-3
MAINTENANCE	5-1
Preventive Maintenance Schedule	5-3
Checking Electrical Connections	5-4
TROUBLESHOOTING	6-1
Before Beginning	6-2
A Few Words of Caution	6-2
Identifying the Cause of a Problem	6-3
The Conveyor Does Not Move	6-4
Movement is Wrong	6-5
APPENDIX	
Appendix A: Customer Service	A-1
Appendix A: Guarantee/Warranty	A-2
Appendix B: AXU Series Control	B-1

PARTS/DIAGRAMS

INTRODUCTION

- *Purpose of the User Guide1-2*
- *How the User Guide
is organized1-2*
- *Your Responsibilities
as a User1-2*
- *ATTENTION: Read this so
no one gets hurt1-3*

PURPOSE OF THE USER GUIDE

This User Guide describes the Conair Moducon Series Belt Conveyors and explains step-by-step how to install, operate, maintain and repair this equipment.

Before installing this product, please take a few moments to read the User Guide and review the diagrams and safety information in the instruction packet. You also should review manuals covering associated equipment in your system. This review won't take long, and it could save you valuable installation and operating time later.

HOW THE USER GUIDE IS ORGANIZED

Symbols have been used to help organize the User Guide and call your attention to important information regarding safe installation and operation.



Symbols within triangles warn of conditions that could be hazardous to users or could damage equipment. Read and take precautions before proceeding.



Numbers within shaded squares indicate tasks or steps to be performed by the user.



A diamond indicates the equipment's response to an action performed by the user.



An open box marks items in a checklist.



A shaded circle marks items in a list.

YOUR RESPONSIBILITY AS A USER

You must be familiar with all safety procedures concerning installation, operation and maintenance of this equipment. Responsible safety procedures include:

- Thorough review of this User Guide, paying particular attention to hazard warnings, appendices and related diagrams.
- Thorough review of the equipment itself, with careful attention to voltage sources, intended use and warning labels.
- Thorough review of instruction manuals for associated equipment.
- Step-by-step adherence to instructions outlined in this User Guide.

We design equipment with the user's safety in mind. You can avoid the potential hazards identified on this machine by following the procedures outlined below and elsewhere in the User Guide.

 **ATTENTION:
READ THIS SO NO
ONE GETS HURT**



WARNING: Improper installation, operation, or servicing may result in equipment damage or personal injury.

This equipment should only be installed, adjusted, and serviced by qualified technical personnel who are familiar with the construction, operation, and potential hazards of this type of machine.

All wiring, disconnects, and fuses should be installed by qualified electrical technicians in accordance with electrical codes in your region. Always maintain a safe ground. Do not operate the equipment at power levels other than what is specified on the machine serial plate.



WARNING: Disconnect power sources to prevent injury from unexpected energization or startup.

This product has a moving belt. To prevent possible injury from unexpected startup, always disconnect and lockout the main power source before performing maintenance or troubleshooting procedures on this product.



WARNING: Electrical Shock Hazard

This device must be properly grounded. Improper grounding can result in severe personal injury and erratic machine operation. Do not operate the equipment at power levels other than what is specified on the machine serial plate.

DESCRIPTION

- *What is the belt conveyor?2-2*
- *Typical applications2-2*
- *Conveyor features2-3*
- *Specifications2-4*
- *Conveyor options2-5*

WHAT IS THE BELT CONVEYOR?

The Moducon Belt Conveyor is a lightweight, mobile conveyor that can be rolled into place and used to move parts or materials to or from your process.

Because of its modular construction, the conveyor can be built in virtually any shape, length and width to fit your application.

Standard belt design is durable modular link polypropylene. The patented design compensates for belt stretch that causes slack, a common problem in other conveyor designs. Permanent belt tracking ensures no wear on belt edges. The belt system is easy to modify or repair by simply replacing individual links or flights in the belt.

The Conair Belt Conveyor Moducon series is simple to operate. Just move it into position, adjust the height and plug it in. The variable speed control lets you set the belt speed to the desired rate. The optional flights move parts along the inclined belt.

TYPICAL APPLICATIONS

Moducon Belt Conveyors are ideal for:

- Conveying parts removed from a mold by a robot or sprue picker.
- Carrying scrap or sprues to a granulator for recovery
- Conveying parts from the processing machine to an assembly area.

As the application changes, the conveying length can be easily modified by adding or subtracting side panels, belt links and belt flights.

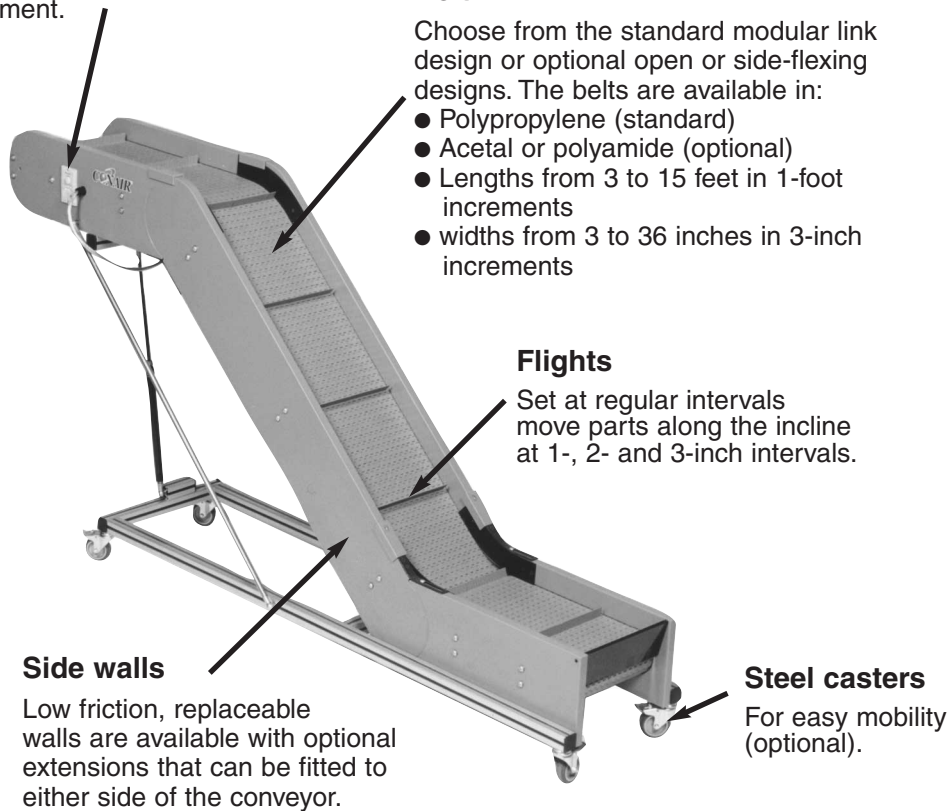
Modular construction allows the Moducon series conveyors to be configured for almost any application. Conveyor types are:

- Flat
- Fixed angle (30°, 45°, and 60°)
- Adjustable angle (0° to 45°), shown below
- Stepped
- 90° radius bend

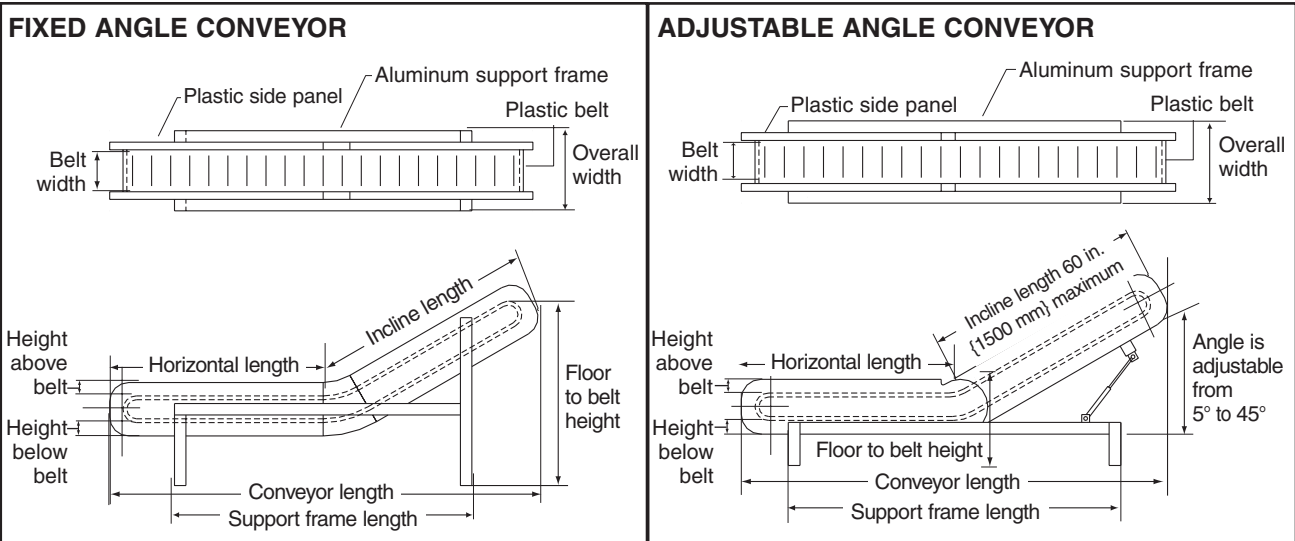
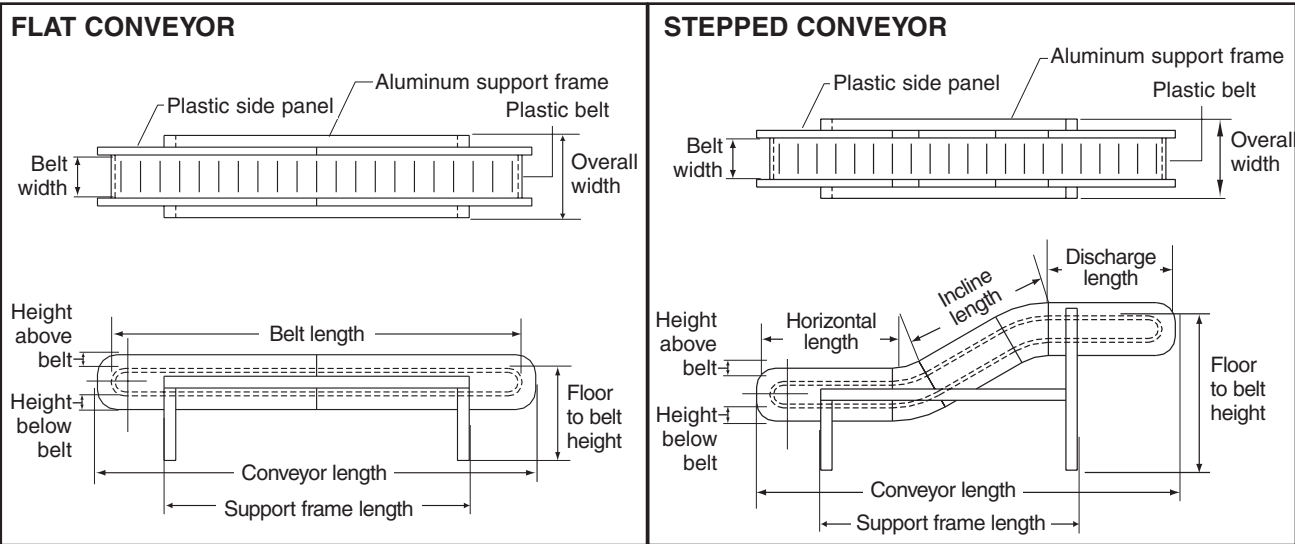
BELT CONVEYOR FEATURES

Variable speed control

Allows you to operate at variable speeds or indexing to time the belt conveyor with other auxiliary equipment.



SPECIFICATIONS



CONVEYOR TYPE	FLAT	STEPPED	FIXED ANGLE	ADJUSTABLE ANGLE
Performance characteristics				
Inclines available	—	Fixed 30°, 45° or 60°	Fixed 30°, 45° or 60°	Adjustable 5° to 45°
Construction	Aluminum frame; plastic sidewalls; plastic belt connector pins, standard; Stainless steel pins, optional			
Belt materials	Polypropylene, standard; Acetal or Polyamide (Nylon), optional			
Belt type, 1-inch pitch	Modular link designs, standard; Open or Side flexing designs, optional			
Dimensions				
Side wall height	2.4 in. {60 mm} above the belt; 4 in. {102 mm} or 8 inch {203 mm} with optional extensions			
Belt width	Specify desired width from 3 inches {76 mm} to 36 inches {915 mm} in 3-inch {76 mm} increments			
Belt length	Specify desired length from 3 feet {0.92 M} to 15 feet {5 M} in 12-inch {305 mm} increments			
Floor to belt height	Specify desired distance from floor to belt surface			
Conveyor length	Specify horizontal, incline and discharge lengths where applicable			

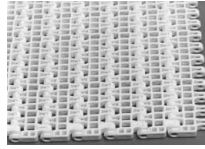
BELT CHARACTERISTICS	Temperature Range	Strength	Hardness	Wear Resistance	Impact Resistance
BELT MATERIAL					
Polypropylene (Standard)	34° - 218° F	relatively low	relatively low	average	low below 45° F
Acetal	40° -190° F	very good	very good	average	very good
Polyamide (Nylon)	- 40° to 284° F	excellent	relatively high	excellent	low below -40° F

CONVEYOR OPTIONS

Available options include:

- **Belt types**

Open belt - This belt has a 1-inch pitch with an open design that allows faster parts cooling. You can increase the cooling rate with optional fans mounted beneath the belt. Belt widths start at 3 inches (76 mm) and increase in 3-inch increments to 36 inches (914 mm). All belt designs can be fitted with 1-, 2- or 3-inch flights. The open belt is available in polypropylene, polyamide (nylon) and acetal. Choose color: blue, gray, red, black or white.

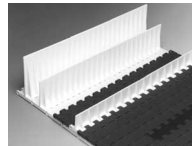


Side flexing belt - this 1-inch pitch side flexing belt has a turning inside radius of 2.3 times the belt width. This belt can be fitted with flights and rubber gripper sections. The side flexing belt material is available in polypropylene, polyamide (nylon) and acetal. Choose color: blue, gray, red, black or white.



- **Flights**

Flights set at regular intervals in the belt help hold the part in place on an incline or decline of the conveyor. Optional flights are available in heights of 1, 2 or 3 inches. The application determines the distance between flights.



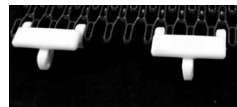
- **Side flexing units**

Optional side flexing modules with a 90° bend can be added to flat or inclined conveyors.



- **Gripper sections**

Optional grippers help hold the part in place as it moves along the conveyor. The rubber grip face is available on the side flexing belt.



- **Bed plates**

When conveying heavy products — weighing 11 lb (5 kg) or more — bed plates can be added to provide more support.

- **Stainless steel belt connector pins**

When conveying heavy products, the optional stainless steel connector pins provide better support than standard plastic pins. Choose when the conveyor may be exposed to moisture or water.

INSTALLATION

- *Unpacking the boxes3-2*
- *Cautions and warnings3-2*
- *Preparing for Installation3-3*
- *Positioning the Conveyor3-4*
- *Setting the Height3-4*
- *Connecting the Conveyor3-5*
- *Adjusting the Conveyor3-6*

UNPACKING THE BOXES

The Moducon Belt Conveyor is shipped already assembled.

- 1** Carefully unpack the conveyor and its components.
- 2** Remove all packing material, protective paper, tape, and plastic. Compare contents to the shipping papers to ensure that you have all the parts.
- 3** Carefully inspect all components to make sure no damage occurred during shipping. If any damage is found, notify the shipping agent immediately. Check all wire terminal connections, bolts, and any other electrical connections, which may have come loose during shipping.
- 4** Record serial numbers and specifications in the blanks provided on the back of the User Guide's title page. This information will be helpful if you ever need service or parts.

Proceed to **PREPARING FOR INSTALLATION**.



WARNING: Improper installation, operation, or servicing may result in equipment damage or personal injury.

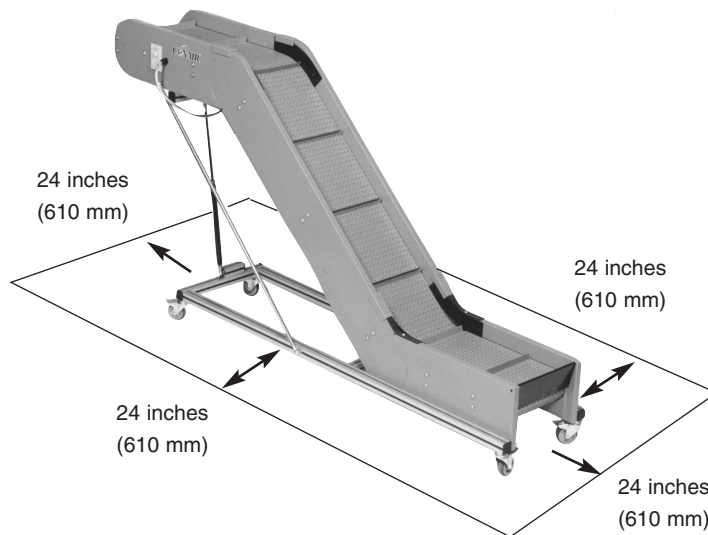
This equipment should only be installed, adjusted, and serviced by qualified technical personnel who are familiar with the construction, operation, and potential hazards of this type of machine.

All wiring, disconnects, and fuses should be installed by qualified electrical technicians in accordance with electrical codes in your region. Always maintain a safe ground. Do not operate the equipment at power levels other than what is specified on the machine serial tag and data plate.

Plan the location. Make sure the area where the belt conveyor is installed has the following:

- **A grounded power source.** The belt conveyor requires single phase, 100-115V, 50/60 Hz. All wiring should be completed by qualified electrical technicians and should comply with your region's electrical codes.
- **Clearance for safe operation and maintenance.** Make sure there is enough clearance around the conveyor for safe operation, maintenance and servicing. We recommend maintaining at least 24 inches (510mm) around all sides of the conveyor.

PREPARING FOR INSTALLATION

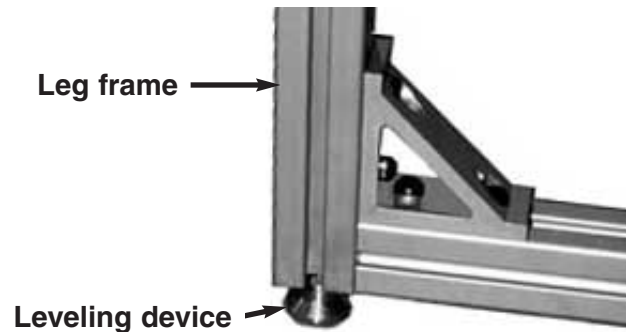


Perform the installation in the following order:

- Move the conveyor into position** and adjust the leveling devices on the legs (or lock the optional casters).
- Adjust the height of the legs** so that the conveyor belt is at the proper height for your needs.
- Connect the conveyor to the power source.**
- Adjust the belt speed.**

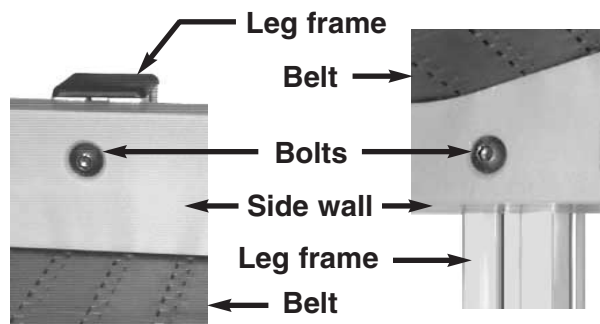
POSITIONING THE CONVEYOR

Place the conveyor where it is needed, then verify that the conveyor is level. If the conveyor is not level, adjust the leveling devices on the legs. If your conveyor has the optional casters, lock the casters in position.



SETTING THE HEIGHT

Measure from the floor to the top of the conveyor belt. Adjust the height of the belt by loosening the bolts on the legs and sliding the conveyor up or down. Be sure to support the conveyor while adjusting the bolts. Do not move the height above the height of the leg frame.



Height adjustment
bolt above the belt

Height adjustment,
bolt below the belt

CONNECTING MAIN POWER



WARNING: Disconnect power sources to prevent injury from unexpected energization or startup.

This product has a moving belt. To prevent possible injury from unexpected startup, always disconnect and lockout the main power source before performing maintenance or troubleshooting procedures on this product.



WARNING: Improper installation, operation, or servicing may result in equipment damage or personal injury.

This equipment should only be installed, adjusted, and serviced by qualified technical personnel who are familiar with the construction, operation, and potential hazards of this type of machine.

All wiring, disconnects, and fuses should be installed by qualified electrical technicians in accordance with electrical codes in your region. Always maintain a safe ground. Do not operate the equipment at power levels other than what is specified on the machine serial tag and data plate.

- 1** Verify that the control button is set to Standby.



Control button

- 2** Plug the conveyor belt power cord into the main power source supplying 100-115C/1 phase/50-60Hz.

ADJUSTING THE CONVEYOR

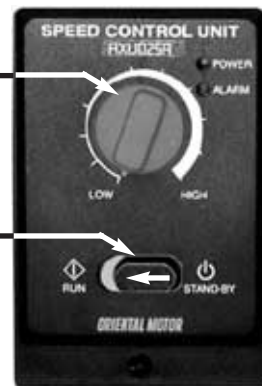
To adjust the speed of the conveyor belt:

- 1 Turn the speed control dial to Low.**
If the speed is not set on Low, turn the dial counterclockwise as far as possible to the Low position. The belt should not be moving.
- 2 Slide the control button to the Run position.**
The conveyor belt begins to move.
- 3 Adjust the speed of the belt by turning the dial clockwise until the belt is moving at the speed you want.**

Dial

Turn clockwise to increase belt speed. Turn counterclockwise to slow belt speed.

Control button



If the conveyor is not working properly at any time, slide the control button to the Standby position immediately and unplug the conveyor from the main power source. Refer to the **TROUBLESHOOTING** section of this User Guide.

If you do not encounter any problems during testing, proceed to the **OPERATION** section.

OPERATION

- ***Control features4-2***
- ***Before starting4-2***
- ***Starting the belt conveyor4-3***
- ***Stopping the belt conveyor4-3***
- ***Emergency stopping4-3***

CONTROL FEATURES

The belt conveyor control allows you to start, stop and control the speed of the belt. Lights indicate when power is being supplied to the unit and when an alarm condition exists.

Dial

Turn clockwise to increase belt speed. Turn counter-clockwise to slow belt speed.

Control button

Slide left to Run position to start belt movement. Slide right to Standby to stop the belt.

NOTE: The belt does not move, but power to the the conveyor is still on when the unit is in Standby.



Indicator lights

display power on and alarm conditions.

STARTING THE CONVEYOR

- 1 Make sure the conveyor is level and locked.**
Adjust leveling feet as needed. Lock the optional casters.
- 2 Inspect the belt and mounting hardware.**
Tighten any loose fittings or hardware. Replace any belt links or flights that are worn, cracked or fractured.
- 3 Make sure the control button in the Standby position.**
- 4 Turn the speed control dial to Low.**
- 5 Apply power to the conveyor.**
Plug the power cord into the power source.
- 6 Slide the control button to the Run position.**
- 7 Adjust the belt speed as needed.**
Turn the speed control dial clockwise to increase speed. Turn the dial counterclockwise to decrease speed.



STOPPING THE CONVEYOR

To stop the conveyor during operation:

- 1 Slide the control button to the Standby position.



IMPORTANT: The Standby position is not a Power OFF switch. When you want to stop the conveyor motor for a long time, disconnect the conveyor from the main power source.

To stop the conveyor for maintenance or repair:

- 1 Slide the control button to the Standby position.



- 2 Disconnect the unit from the power source.
Remove the power plug from the electrical outlet. Follow the lockout/tagout procedures developed in your facility to ensure that power cannot be restored to the unit until the maintenance or repair has been completed.

NOTE: Alarm conditions may stop the conveyor.

The conveyor will stop automatically under the following alarm conditions:

- **The load on the belt exceeds the rated torque applied to the motor for more than 5 seconds.**
The LED indicator light flashes and the motor stops.
- **The motor cable or connector is disconnected.**
The LED indicator light turns on and the motor stops.
- **The motor speed exceeds 2800 rpm.**
The LED indicator light turns on and the motor stops.
- **Voltage applied to the control is 30% or more below the the voltage setting.**
The LED indicator light turns on and the motor stops.

MAINTENANCE

- *Preventive Maintenance
Schedule5-3*
- *Checking Electrical
Connections5-4*

PREVENTIVE MAINTENANCE SCHEDULE

The Belt Conveyor Moducon series models need regular, scheduled maintenance for peak performance.

Use the maintenance schedule on the following page as a guide. You may need to shorten the time of the maintenance schedule, depending on how often you use the conveyor. Follow all safety procedures when working on the equipment.



WARNING: Improper installation, operation, or servicing may result in equipment damage or personal injury.

This equipment should be installed, adjusted, and serviced only by qualified technical personnel who are familiar with the construction, operation, and potential hazards of this type of machine.

All wiring, disconnects, and fuses should be installed and maintained by qualified electrical technicians in accordance with electrical codes in your region.



WARNING: Disconnect power sources to prevent injury from unexpected energization or startup.

This product has a moving belt. To prevent possible injury from unexpected startup, always disconnect and lockout the main power source before performing maintenance or troubleshooting procedures on this product.



WARNING: Electrical Shock Hazard

This device must be properly grounded. Improper grounding can result in severe personal injury and erratic machine operation. Do not operate the equipment at power levels other than what is specified on the machine serial plate.

To maintain the best performance, follow this maintenance schedule.

PREVENTIVE MAINTENANCE SCHEDULE

● Daily, or as needed

- Inspect leveling feet or casters.**
Verify that conveyor is level. Adjust leveling feet as needed. If the conveyor has optional casters, verify that they are properly locked in position before operation.

● Monthly, or as needed

- Inspect the conveyor belt.**
Check the belt links, pins and flights for wear, cracks or fractures. Replace sections as needed.
- Inspect fittings and mounting hardware.**
Make sure all fittings, screws, and component mounting hardware are tight. Tighten as needed.
- Inspect electrical connections.**
Make sure all electrical terminals are tight. Adjust as needed. See [CHECKING ELECTRICAL CONNECTIONS](#), in this section.
- Check all electrical cables.**
Inspect all electrical cables for cuts and abrasions. Replace as needed.

CHECKING ELECTRICAL CONNECTIONS



WARNING: Disconnect power sources to prevent injury from unexpected energization or startup.

To prevent possible injury from unexpected startup, always disconnect and lock out the main power source before performing maintenance or troubleshooting on this product.



WARNING: Electrical Shock Hazard

This device must be properly grounded. Improper grounding can result in severe personal injury and erratic machine operation. Do not operate the equipment at power levels other than what is specified on the machine serial plate.



WARNING: Improper installation, operation, or servicing may result in equipment damage or personal injury.

This equipment should be installed, adjusted, and serviced only by qualified technical personnel who are familiar with the construction, operation, and potential hazards of this type of machine.

All wiring, disconnects, and fuses should be installed and maintained by qualified electrical technicians in accordance with electrical codes in your region.

1

Be sure the main power is disconnected.

Always disconnect and lock out the main power source before servicing the unit.

2

Inspect all wires and connections.

Look for loose wires, burned contacts, and signs of overheated wires. Have a qualified electrician make any necessary repairs or replacements.

3

Inspect the exterior power cord.

The cord should not be crimped, exposed, or rubbing against the frame. If the cable runs along the floor, make sure it is not positioned where it could rest in pooling water or could be run over and cut by wheels or casters.

TROUBLESHOOTING

- *Before Beginning*6-2
- *A Few Words of Caution*6-2
- *Identifying the Cause of a Problem*6-3
- *Answering an Alarm*6-3
- *The Conveyor Does Not Move*6-4
- *Movement is Wrong*6-5

BEFORE BEGINNING

You can avoid most problems by following the recommended installation, operation and maintenance procedures outlined in this User Guide. If a problem should occur:

- Find any wiring, parts, and assembly diagrams that were shipped with your equipment.** These are the best reference for correcting a problem. The diagrams will note any custom features or options not covered in this User Guide.
- Verify that you have all instructional materials related to the conveyor and to any other equipment connected to the system.** Additional details about troubleshooting and repairing specific components are found in these materials.

A FEW WORDS OF CAUTION



WARNING: Improper installation, operation, or servicing may result in equipment damage or personal injury.

This equipment should be installed, adjusted, and serviced only by qualified technical personnel who are familiar with the construction, operation, and potential hazards of this type of machine.

All wiring, disconnects, and fuses should be installed and maintained by qualified electrical technicians in accordance with electrical codes in your region.



WARNING: Disconnect power sources to prevent injury from unexpected energization or startup.

This product has a moving belt. To prevent possible injury from unexpected startup, always disconnect and lockout the main power source before performing maintenance or troubleshooting procedures on this product.



WARNING: Electrical Shock Hazard

This device must be properly grounded. Improper grounding can result in severe personal injury and erratic machine operation. Do not operate the equipment at power levels other than what is specified on the machine serial plate.

The Troubleshooting section covers problems directly related to the operation and maintenance of the belt conveyor.

This section does not provide solutions to problems that originate with other equipment. Additional troubleshooting help can be found in manuals supplied with the other equipment.

The following alarm conditions will stop the belt conveyor automatically:

- **The load on the belt exceeds the rated torque applied to the motor for more than 5 seconds.**
The LED indicator light flashes and the motor stops.
- **The motor cable or connector is disconnected.**
The LED indicator light turns on and the motor stops.
- **Motor speed exceeds 2800 rpm.**
The LED indicator light turns on and the motor stops.
- **Voltage applied to the control is 30% or more below the voltage setting.**
The LED indicator light turns on and the motor stops.

When an alarm occurs during operation, the belt conveyor stops. The belt will not move and the alarm light will continue to flash or stay lit until the error is corrected.

IDENTIFYING THE CAUSE OF A PROBLEM

THE CONVEYOR DOES NOT MOVE

For additional information on problems that may have been caused by the speed control unit, see [APPENDIX B: AXU SERIES CONTROL](#).

Symptom	Possible cause	Solution
The conveyor does not move.	Electrical connections are not correct.	Check that: <ul style="list-style-type: none"> <input type="checkbox"/> The conveyor is plugged into a power source. <input type="checkbox"/> The main power source is on. <input type="checkbox"/> The interface cables are connected. <input type="checkbox"/> The fuses are good. <input type="checkbox"/> The power to the conveyor is on.
	The control button is in the Standby position.	Slide the control button to Run.
	Both the clockwise and the counterclockwise inputs are turned on.	Turn off either the CW or the CCW input. See APPENDIX B: AXU SERIES CONTROL .
	The speed setting potentiometer is not adjusted.	Turn the speed setting potentiometer slightly clockwise See APPENDIX B: AXU SERIES CONTROL .
	Load on belt exceeds rated torque applied to the motor for more than 5 seconds.	Remove the excess load from the belt.
	Motor speed exceeds 2800 rpm.	Check voltage to motor. If incoming voltage is wrong, connect to the proper power source. If voltage is correct, contact Conair Service.
	Voltage applied to the control is 30% or more below the voltage setting.	Check voltage to motor. If incoming voltage is wrong, connect to the proper power source. If voltage is correct, contact Conair Service.

For additional information on problems that may have been caused by the speed control unit, see [APPENDIX B: AXU SERIES CONTROL](#).

BELT MOTOR MOVEMENT IS WRONG

Symptom	Possible cause	Solution
The motor turns in the wrong direction.	The clockwise input and the counterclockwise input are incorrect or electrical connection is wrong.	Set the inputs to the correct positions: when CW input is at level L the motor shaft rotates clockwise; when the CCW input is at level L it rotates counterclockwise. See APPENDIX B: AXU SERIES CONTROL .
	The motor rotates in the opposite direction depending on gearhead speed reduction ratio.	Reverse the CW and CCW input operations. See APPENDIX B: AXU SERIES CONTROL .
Motor operation is unstable and vibrating.	The centerline is not aligned between the motor (gearhead) output shaft and load shaft.	Check the connection between the motor (gearhead) output shaft and the load shaft. See APPENDIX B: AXU SERIES CONTROL .
	The motor and gearhead are not assembled correctly.	Check how the motor and gearhead are assembled. Check the pinion shaft type. See APPENDIX B: AXU SERIES CONTROL .

Conair has made the largest investment in customer support in the plastics industry. Our service experts are available to help with any problem you might have installing and operating your equipment. Your Conair sales representative also can help analyze the nature of your problem, assuring that it did not result from misapplication or improper use.

To contact Customer Service personnel, call:



From outside the United States, call: 814-437-6861

You can commission Conair service personnel to provide on-site service by contacting the Customer Service Department. Standard rates include an on-site hourly rate, with a one-day minimum plus expenses.

If you do have a problem, please complete the following checklist before calling Conair:

- Make sure you have all model, serial and parts list numbers for your particular equipment. Service personnel will need this information to assist you.
- Make sure power is supplied to the equipment.
- Make sure that all connectors and wires within and between the conveyor and related components have been installed correctly.
- Check the troubleshooting guide of this manual for a solution.
- Thoroughly examine the instruction manual(s) for associated equipment, especially controls. Each manual may have its own troubleshooting guide to help you.
- Check that the equipment has been operated as described in this manual.
- Check accompanying schematic drawings for information on special considerations.

WE'RE HERE TO HELP

HOW TO CONTACT CUSTOMER SERVICE

BEFORE YOU CALL ...

Additional manuals and prints for your Conair equipment may be ordered through the Customer Service or Parts Department for a nominal fee.

EQUIPMENT GUARANTEE

Conair guarantees the machinery and equipment on this order, for a period as defined in the quotation from date of shipment, against defects in material and workmanship under the normal use and service for which it was recommended (except for parts that are typically replaced after normal usage, such as filters, liner plates, etc.). Conair's guarantee is limited to repairing or replacing, at our option, the part or parts determined by us to be defective after examination. The customer assumes the cost of transportation of the part or parts to and from the factory.

PERFORMANCE WARRANTY

Conair warrants that this equipment will perform at or above the ratings stated in specific quotations covering the equipment or as detailed in engineering specifications, provided the equipment is applied, installed, operated and maintained in the recommended manner as outlined in our quotation or specifications.

Should performance not meet warranted levels, Conair at its discretion will exercise one of the following options:

- Inspect the equipment and perform alterations or adjustments to satisfy performance claims. (Charges for such inspections and corrections will be waived unless failure to meet warranty is due to misapplication, improper installation, poor maintenance practices or improper operation.)
- Replace the original equipment with other Conair equipment that will meet original performance claims at no extra cost to the customer.
- Refund the invoiced cost to the customer. Credit is subject to prior notice by the customer at which time a Return Goods Authorization Number (RGA) will be issued by Conair's Service Department. Returned equipment must be well crated and in proper operating condition, including all parts. Returns must be prepaid.

Purchaser must notify Conair in writing of any claim and provide a customer receipt and other evidence that a claim is being made.

WARRANTY LIMITATIONS

Except for the Equipment Guarantee and Performance Warranty stated above, Conair disclaims all other warranties with respect to the equipment, express or implied, arising by operation of law, course of dealing, usage of trade or otherwise, including but not limited to the implied warranties of merchantability and fitness for a particular purpose.

Free Manuals Download Website

<http://myh66.com>

<http://usermanuals.us>

<http://www.somanuals.com>

<http://www.4manuals.cc>

<http://www.manual-lib.com>

<http://www.404manual.com>

<http://www.luxmanual.com>

<http://aubethermostatmanual.com>

Golf course search by state

<http://golfingnear.com>

Email search by domain

<http://emailbydomain.com>

Auto manuals search

<http://auto.somanuals.com>

TV manuals search

<http://tv.somanuals.com>