

# IMPORTANT SAFETY INSTRUCTIONS

**THIS APPLIANCE IS INTENDED FOR HOUSEHOLD USE. WHEN USING ELECTRICAL APPLIANCES, BASIC SAFETY PRECAUTIONS SHOULD ALWAYS BE TAKEN, INCLUDING THE FOLLOWING:**

**READ ALL INSTRUCTIONS BEFORE USING**  
**KEEP AWAY FROM WATER**

## DANGER

**To reduce the risk of electrocution:**

1. Always unplug this appliance immediately after using.
2. Do not use while bathing.
3. Do not place or store appliance where it can fall or be pulled into a tub or sink.
4. Do not place in or drop into water or other liquid.
5. Do not reach for an appliance that has fallen into water. Unplug immediately.

## WARNING

—To reduce the risk of burns, electrocution, fire, or injury to persons:

1. Read all instructions before using the appliance.
2. To protect against electrical hazards, do not use while bathing or in the shower.
3. Close supervision is necessary when any appliance is used by or near children or by individuals with certain disabilities.
4. Unplug the appliance from outlet when not in use and before cleaning. Do not leave appliance unattended when it is plugged in. Keep cord away from heated surfaces.
5. Do not operate this appliance with a damaged cord or plug or if the appliance malfunctions or has been dropped or damaged in any manner. Return appliance to nearest service facility for examination,

electrical or mechanical adjustment, or repair. No repairs should be attempted by the consumer.

6. Use appliance only for intended use as described in this instruction book. The use of attachments not recommended or sold by Conair may cause hazards.
7. Do not use outdoors or operate where aerosol (spray) products are being used, or where oxygen is being administered.
8. Do not use on a soft surface such as a bed, where openings may be blocked.
9. Do not place or store appliance where it can fall or be pulled into a tub or sink.
10. Do not place in or drop into water or other liquid.
11. If an appliance falls into water, unplug it immediately. Do not reach into the water.

Use on any 120 volt 60 hertz AC electric outlet (ordinary household current). Do not use it on any other electrical outlet.

# SAVE THESE INSTRUCTIONS OPERATING INSTRUCTIONS

## CHARGING

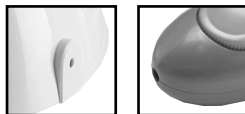
Your Complete Nail Care Center should be charged using only the charger supplied. Ensure that the switch on the handle is in the "off" position. Connect the appliance to the charger by inserting the small plug at the end of the charger lead into the corresponding socket in the end of the handle. Plug the charger into the mains wall socket. Allow the handle to charge for 16 hours. It is better not to leave the appliance on charge for more than 24 consecutive hours to preserve

the longest possible life of the rechargeable cells.

## CORDED USE

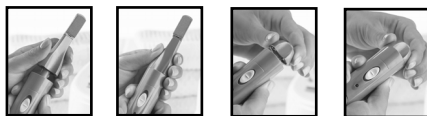
1. Ensure that the handle is switched off.
  2. Insert the small plug at the end of the charger lead into the corresponding socket in the end of the handle. Plug the charger into the mains wall socket. Wait for one minute, then switch on.
- IMPORTANT!** Do not use the appliance in this mode for more than 20 minutes.

Your Complete Nail Care Center operates on an AC adapter. Adapter can be plugged into the housing to operate the nail dryer or to recharge the power handle; adapter can also be used to operate the power handle directly by plugging into the bottom of the handle.



The power handle has two interchangeable heads. The rotary head works with round attachments that spin in a circular motion and the linear head works with rectangular plates that move in a back-and-forth motion. The rotary head is already attached to the power handle. Pull power handle up to remove from the attachment tray.

To change heads: twist the head in a counter-clockwise motion and pull up; head comes off. Gently push other head onto plastic base and twist slightly with clockwise motion until head clicks into secure position.



To attach discs or plates: to attach discs or cones to the rotary head, insert metal post of disc into the white plastic tube of head and gently push down. To attach plates to the linear head, match up rounded end of plate with round end of head and snap plate onto head. To remove attachments, simply pull off.



Your Complete Nail Care Center contains a number of attachments. The coarser discs and plates are ideal for shaping and eliminating ragged edges for a clean finish. The finer discs, cones and plates smooth unsightly ridges. The polishing cone and disc provide the flawless smooth surface needed for nail polish applications, and help polish nails to a healthy-looking luster.

To soften nails and cuticles before a manicure, pull out the manicurist's dish, fill it with warm soapy water and soak your finger tips for a few minutes. Dry your hands thoroughly before using the power handle and attachments.



After you have attached a head and an appropriate attachment to the power handle, turn the power handle "on" and carefully start shaping, smoothing or polishing your nails. You can vary the speed at which the attachment moves by turning the speed dial.



Slower speeds give you more control over the filing procedure.

Your power handle also features a light to give you additional illumination when working on a nail.

Your Complete Nail Care Center includes a nail dryer which will help shorten fresh nail polish drying time. Simply insert your hand into the nail dryer, pushing down slightly. That will start the nail dryer. Check nails after a few minutes to see if polish is dry.



After using the Complete Nail Care Center several times, you will find the attachment and speed combinations that give you the results you desire.

## MANICURE

1. Soak your nails in warm soapy water, then dry thoroughly.
2. Decide on the nail shape you want. The three most common nail shapes are round, square, or square with rounded edges.
3. Use the Smoothing Disc/Plate to smooth the edges of each nail. Then use the rounded end of the Cuticle Shaper to gently push the cuticles away from the nail plate. If desired, massage lotion or cream into the cuticle to help soften cuticle and promote healthy nails. Unwanted rough or hard skin can be reduced by using the Sapphire Cones and/or a Smoothing Disc. The side of the pointed Sapphire Cone may be used to carefully

remove areas of hard skin beside the nail, using care not to damage the nail wall. In cases where ridges and furrows are present, the Smoothing Disc/Plate can be used to gently and carefully reduce the unevenness, using short intermittent strokes. This is not recommended more than once every eight weeks.

4. To give nails a healthy natural look, use the Polishing Disc or Cone, maximum of 30 seconds per nail, taking care to avoid the cuticle.

5. Finish your manicure by using a moisturizing lotion or cream.

## PEDICURE

1. Soak your feet for five minutes in warm, soapy water and dry thoroughly.

2. Use the Smoothing Disc/Plate to reduce the length of the nail. Toe nails should be filed straight across to avoid ingrown toe nails. Use a fine Smoothing Disc/Plate on a low speed as a finishing touch to the edges.

3. To reduce calluses, rough, or hard skin, use the Sapphire Cones or a Smoothing Disc/Plate. The thickness or dead skin can be reduced by using the side of the Sapphire Cones. Where ridges and furrows are present, the Smoothing Disc can also be used to gently and carefully reduce the unevenness, using short intermittent strokes. This is not recommended more than once every eight weeks.

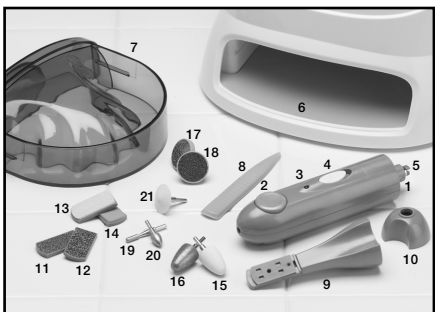
4. Finish your pedicure by using a moisturizing lotion or cream.

## MAINTENANCE

Your nail care center is designed for household use and is virtually maintenance-free. No lubrication is needed. If cleaning becomes necessary, disconnect the appliance from the power source and wipe exterior with a cloth.

If any abnormal condition occurs, unplug the nail care center, allow it to cool, and return it to an authorized service center for repair.

## GETTING TO KNOW YOUR COMPLETE NAIL CARE SYSTEM

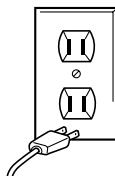


- 1 Rechargeable Power Handle works corded or cordless
- 2 Variable Speed Control
- 3 LED Indicator
- 4 On/Off Switch
- 5 Light
- 6 Nail Dryer
- 7 Manicurist's Dish
- 8 Cuticle Shaper
- 9 Linear Head
- 10 Rotary Head
- 11 Metal smoothing plate
- 12 Metal Shaping Plate
- 13 Buffing Plate
- 14 Smoothing Plate
- 15 Felt Cone
- 16 Large Sapphire Cone \*
- 17 Smoothing Disc
- 18 Shaping Disc
- 19 Small Sapphire Cone \*
- 20 Medium Sapphire Cone \*
- 21 Buffing Disc

\* for acrylic nails

**WARNING:  
IF YOU THINK THE  
POWER IS OFF  
WHEN THE SWITCH  
IS OFF,  
YOU'RE WRONG.**

**KEEP AWAY FROM WATER**



Everybody knows that electricity and water are a dangerous combination. But did you know that an electrical appliance is still electrically alive even if the switch is off? If the plug is in, the power is on. So when you are not using your appliances, keep them unplugged.

## ALWAYS UNPLUG SMALL APPLIANCES

Public Service AD from Association of Home Appliance Manufacturers and Underwriters Laboratories, Inc.

## STORAGE

Disconnect from electrical outlet. Place nail care center in cool, dry area out of reach of children, where it will not be damaged. Handle cord carefully for longer life; do not jerk or strain at plug connections, or wrap cord around unit for storage. This could cause damage to the cord or a short circuit. To store unit, coil cord loosely.

Download from [www.Somanuals.com](http://www.Somanuals.com). All Manuals Search And Download.

## LIMITED ONE YEAR WARRANTY

Conair will repair or replace (at our option) your unit free of charge for 12 months from the date of purchase if the appliance is defective in workmanship or materials.

To obtain service under this warranty, return the defective product to the service center listed below that is nearest you, together with your purchase receipt and \$3.00 for postage and handling. California residents need only provide proof of purchase and should call 1-800-366-0937 for shipping instructions. In the absence of a purchase receipt, the warranty period shall be 12 months from the date of manufacture.

**ANY IMPLIED WARRANTIES, OBLIGATIONS, OR LIABILITIES, INCLUDING BUT NOT LIMITED TO THE IMPLIED WARRANTY OF MERCHANTABILITY AND FITNESS FOR A PARTICULAR PURPOSE, SHALL BE LIMITED IN DURATION TO THE 12 MONTH DURATION OF THIS WRITTEN, LIMITED WARRANTY.** Some states do not allow limitations on how long an implied warranty lasts, so the above limitations may not apply to you.

**IN NO EVENT SHALL CONAIR BE LIABLE FOR ANY SPECIAL, INCIDENTAL, OR CONSEQUENTIAL DAMAGES FOR BREACH OF THIS OR ANY OTHER WARRANTY, EXPRESS OR IMPLIED, WHATSOEVER.** Some states do not allow the exclusion or limitation of special, incidental, or consequential damages, so the above limitation may not apply to you.

This warranty gives you specific legal rights, and you may also have other rights, which vary from state to state.

## Service Centers:

Conair Corporation  
Service Department  
150 Milford Road  
East Windsor, NJ 08520

Conair Corporation  
Service Department  
7475 N. Glen Harbor Blvd.  
Glendale, AZ 85307

©2003 Conair Corporation  
150 Milford Road, East Windsor, NJ 08520  
7475 N.Glen Harbor Blvd.,  
Glendale, AZ 85307

03NP197

IB-4865

# CONAIR®



THE COMPLETE  
**nailcare**  
CENTER

## Instruction & Styling Guide

For your safety & continued enjoyment of this product, always read the instruction book carefully before using.

**NC01 Models**

## Free Manuals Download Website

<http://myh66.com>

<http://usermanuals.us>

<http://www.somanuals.com>

<http://www.4manuals.cc>

<http://www.manual-lib.com>

<http://www.404manual.com>

<http://www.luxmanual.com>

<http://aubethermostatmanual.com>

Golf course search by state

<http://golfingnear.com>

Email search by domain

<http://emailbydomain.com>

Auto manuals search

<http://auto.somanuals.com>

TV manuals search

<http://tv.somanuals.com>