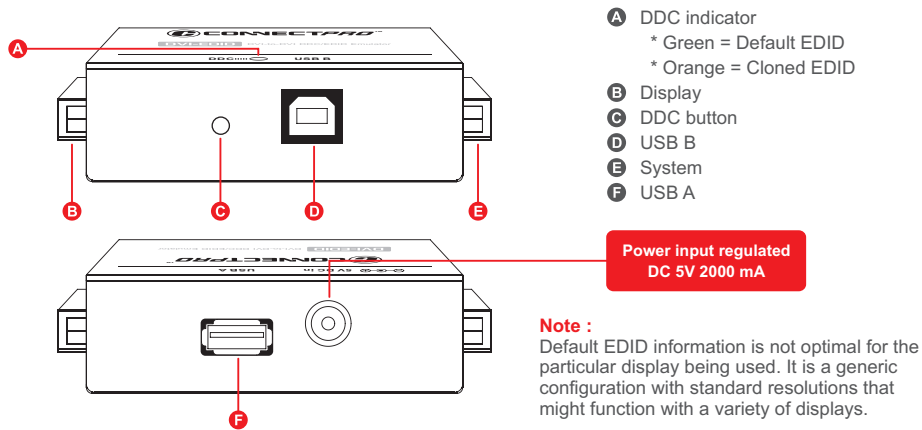


## DVI-EDID

DVI-to-DVI DDC/EDID Emulator

# Installation Guide

### Unit View



### Specification

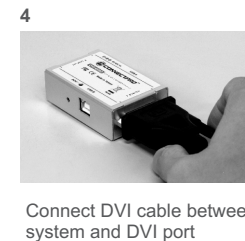
	DVI-EDID
<b>Functional</b>	
<b>Power supply</b>	If required, USB or 5V DC adaptor
<b>Power LED / Default EDID</b>	Green
<b>Clone EDID</b>	Push button switch
<b>Clone indication</b>	Change to Orange color
<b>Resolution</b>	Up to 1920 x 1200@60 Hz, 2K, and 3840x 2400 ( dual link )
<b>Connectors</b>	DVI-I Female x 2
<b>Mechanical</b>	
<b>Dimensions H x W x D</b>	22 x 45 x 70 mm ( 0.87 x 1.77 x 2.76 inch )
<b>Weight</b>	70 g ( 0.15 lb )
<b>Certification</b>	FCC, CE

### Features & Benefits

- Store EDID information for DVI display
- True DDC emulation
  - Support dual page DDC for compatible resolutions
- Standard EDID data
- Installs in seconds
  - Easy and Compact design for installation and operation
- External supply by USB connector or 5V power supply
- Full EDID Cloning
- Default and Cloned EDID data selectable

### Installation

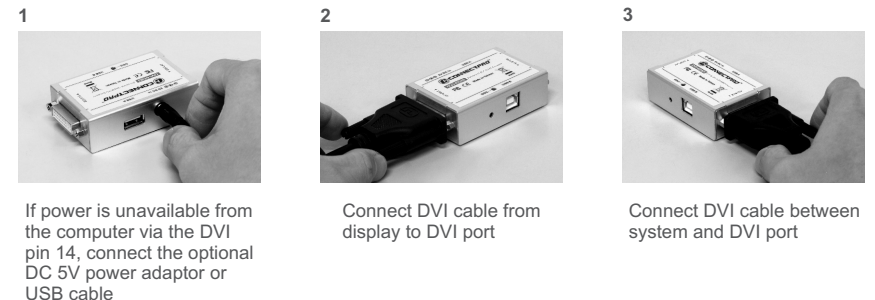
#### To use cloned EDID information ( Orange light means " Cloned " )



#### Special note :

In the majority of cases, the emulator should be used in "clone" mode to provide optimal display settings for the display being used. In the event that this is not possible (the display does not provide DDC/EDID information, or it is otherwise not possible), the emulator should be used in default mode. The EDID information used in default mode is not for optimal viewing, but rather to still provide a stable operating environment.

#### To use default EDID information ( Green light means " Default " )



## Application Connection Diagram

### Step 1

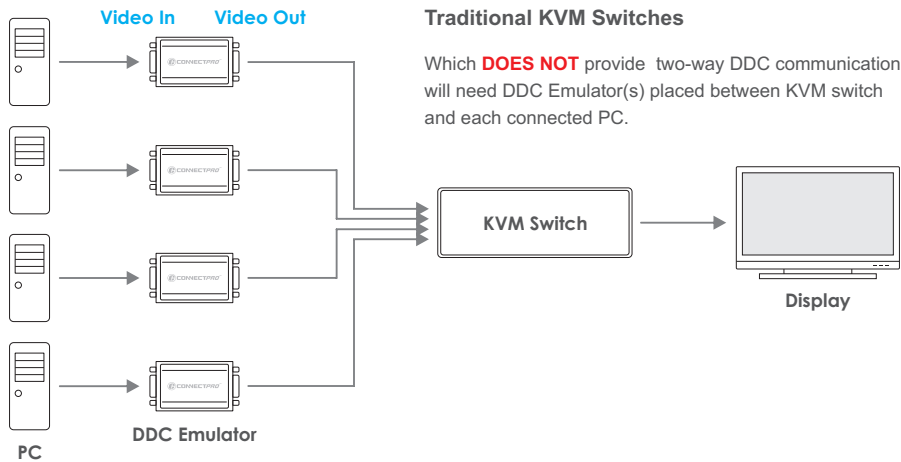
To clone EDID information first. Connect emulator to the monitor.



#### Special note:

emulator's power supply has to be connected via DC jack or USB-A/B first

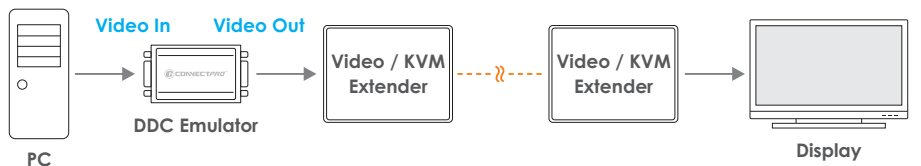
### Step 2 for KVM



### Step 2 for Video / KVM extender

#### Old Video or KVM extender

Which **DOES NOT** provide two-way DDC communication will need DDC Emulator placed between extender unit and PC.



## Ordering Information

Model	Description
DVI-EDID	DVI-to-DVI DDC/EDID Emulator
<b>Optional part / accessory</b>	
<b>Cables</b>	
UC-AB-04	4-ft USB A-to-B cable
DVI-202-01	1-ft Male-to-Male DVI cable
<b>Power Adaptor</b>	
3A-111WX05	Power supply DC 5V ( 2000 mA ) - AC 110/220V for USA
	* Any other interface is available upon request



ConnectPRO - USA, Taiwan  
www.connectpro.com

#### Corporate Office

20525 Paseo Del Prado Walnut, CA 91789, USA  
Tel +1-909-444-9288 Fax +1-909-444-9289

#### Design Center and Operational Hubs

7F., No.122, Sec. 1, Sanmin Rd., Banciao City,  
Taipei County 220, Taiwan, R.O.C.  
Tel +886-2-8964-2700 Fax +886-2-8964-2977

Doc:IG-DVIEDID\_V1-1

## Free Manuals Download Website

<http://myh66.com>

<http://usermanuals.us>

<http://www.somanuals.com>

<http://www.4manuals.cc>

<http://www.manual-lib.com>

<http://www.404manual.com>

<http://www.luxmanual.com>

<http://aubethermostatmanual.com>

Golf course search by state

<http://golfingnear.com>

Email search by domain

<http://emailbydomain.com>

Auto manuals search

<http://auto.somanuals.com>

TV manuals search

<http://tv.somanuals.com>