

# Multi-Cooker Deep Fryer

User Manual

Model:  
CE23279



**Continental**<sup>®</sup>  
E L E C T R I C

# IMPORTANT SAFEGUIDES

When using this appliance, basic safety precautions must always be followed, including the following:

- Read all instructions.
- Do not touch hot surface. Use handles or knobs.
- Never switch the appliance oil inside its frying pot, or the appliance may cutoff because of over-heated. And a service will be need.
- Do not add oil beyond 1.2-1.5 Quart into the frying pot during fryer mode. Too much oil may result in spray out during frying , too less oil may affect frying performance.
- To protect against fire, electric shock or injury to person, do not immerse cord, plug, appliance body in water or other liquid.
- Close supervision is necessary when the appliance is in use or when water or oil is hot. Do not use it by children.
- Unplug from outlet when do not in use and before cleaning. Allow to cool before putting on or taking off parts, and before cleaning the appliance.
- Always attach plug to appliance first, then plug cord into the wall outlet. To disconnect, turn any control to "OFF", then remove plug from wall outlet.
- The appliance has a magnetic outlet power cord. Never drop the power cord to the ground or strike it, or it may be damaged.
- Do not operate this appliance when the power cord or plug damaged or if the appliance malfunctions, is dropped or has been damaged in any manner. Return it to the Authorized Service Station for examination, repair, electric or mechanical adjustment.
- The use of accessory attachment not recommended by the appliance manufacturer may result in fire, electric shock or injury to person.
- Be sure handles are properly assembled to basket and locked in place. See detail assembly instructions.
- Do not use outdoors.
- Do not let cord hang over edge of table and counter, or touch hot surface.
- Do not place or near a hot gas or electric burner, or in a heated oven, or on flammable material.
- Extreme caution must be used when moving an appliance containing hot oil or other hot liquids.
- Do not use appliance for other than intended use.
- The appliance has a polarized plug (one blade is wider than the other). To reduce the risk of electric shock, this plug is intended to fit into a polarized outlet only one way. If the plug does not fit fully into the outlet, reverse the plug. If it still does not fit, contact a qualified electrician. Do not attempt to modify the plug in any way.
- Any other servicing should be performed by an authorized services representative.

## SAVE THESE INSTRUCTIONS

## **SPECIAL INSTRUCTIONS:**

This product is for household use only.

A short power supply cord is provided to reduce the hazards resulting from becoming entangled in or tripping over a longer cord.

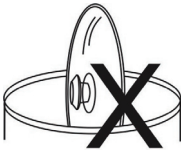
Longer extension cords are available and may be used if care is exercised in their use.

If a long extension cord is used, (1) the marked electrical rating of the extension cord should at least as great as the electrical rating of the appliance. (2) The extension cord should be an earthed type three-wire cord, (3) the longer cord should be arranged so that it will not drape over the counter top where it can be pulled by children or tripped over accidentally.

## **PRECAUTION NOTES**

1. Do not boil dry! Do not switch "ON" the unit if the pot is not filled up with liquid
2. This appliance is for household use only.
3. Maintenance other than cleaning should be performed at an authorized service facility.
4. When using this appliance, provide adequate air space above and on all sides for air circulation. On surfaces where heat may cause a problem, an insulated pad is recommended.
5. Smoke will be emitted when in use for the first time. Continue heating the appliance until the smoke stops emitting.
6. Do not put any other thing on top of non-stick coating pot.
7. Connect the unit only to properly wired wall-outlets.
8. When not in use, always keep the unit dry especially the non-stick coated pot.
9. Never leave the appliance unattended while connected to the mains.
10. Do not overload the basket (particularly with frozen foods) to avoid risk of hot oil overflowing.
11. In spite of the high standard of insulation of the multicooker, external and Internal metal surfaces should not be touched once the lid has been opened. When the multicooker is in operation, high temperatures are generated which may cause burns.
12. Never place a hand over the lid when the multicooker is in operation, because the escaping steam is very hot.
13. Regularly filter the oil. Food deposits tend to burn and cause rapid deterioration of the oil. In extreme circumstances they might ignite.

14. Replace the oil after 8-12 uses to avoid hot oil overflowing. All food contain moisture, particularly frozen foods,
15. Do not leave the basket handle attached during cooking. Always remove the handle.
16. Never move the Multicooker while the liquid is still hot.
17. Use the appliance on a stable work surface away from water.
18. Do not unplug the socket by pulling on the supply cord.
19. Be careful of rising steam from between the pot and lid when you remove the lid.
20. Please wash the non-stick coated pot and lid in water after Unplugging from the socket.
21. the pot is coated with fine non-stick, so be careful on the following:
  - a) Handle non-stick pot and frying basket with care. Don't drop it.
  - b) Do not use sharp-edged utensils such as metal spatulas or knives.
  - c) Do not use polishing powder, nylon or metal brushes though whole pot is washable.
22. Before cooking food, place the glass lid right on the pot, the edge of the glass lid should fully cover the upper edge of the pot, please refer to the Picture C, never place the glass lid like Picture A or Picture B while cooking .



Picture A

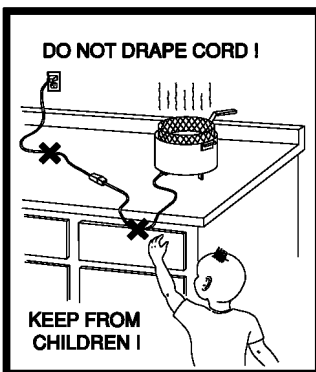


Picture B



Picture C

23. Never shake the glass lid or the Multicooker body during cooking.



SERIOUS HOT-OIL BURNS MAY RESULT FROM A DEEP FAT FRYER OR COOKER/FRYER BEING PULLED OFF OF A COUNTERTOP. DO NOT ALLOW THE CORD TO HANG OVER THE EDGE OF THE COUNTER WHERE IT MAY BE GRABBED BY CHILDREN OR BECOME ENTANGLED WITH THE USER.  
DO NOT USE WITH AN EXTENSION CORD.




The manufacturer accepts no liability if the appliance is used for commercial purposes or in a manner which does not comply with the operating instructions.

## How to use correctly

When using the fryer for the first time, a slight odor or light smoking may occur as manufacturing residue evaporates. This is normal during initial use.

Please adjust the function dial as the following illustration:

For your reference, when the room temperature is 70 – 75 degree Fahrenheit, the appliance will take:



- About 22 minutes to reach the desired temperature at the setting "STEAM".
- About 31 minutes to reach the desired temperature at the setting "COOK".
- About 39 minutes to reach the desired temperature at the setting "FRY".

**Note:** when the desired temperature is reached, the indicator light may go on and off during the operation. This is a normal situation as the thermostat is activated to maintain the temperature.

## Deep frying

### A. Heating oil:

- 1) Pour the oil into the pot. Make sure the oil-filling level is between the MAX and MIN level lines, which located on the inside of the pot.
- 2) Turn the dial to the setting "FRY".
- 3) Close the lid of the multi-cooker.
- 4) Attach the cord to the unit by aligning the magnetic plug end of the cord assembly with the plug face up, where marked with the words "THIS SIDE UP".
- 5) Plug another end of the cord assembly into a 120V wall outlet. The indicator light comes on.
- 6) Preheat oil until the indicator light goes off. At this moment, the oil temperature is ready for frying the foods.

**Note:**

- Use only blended vegetable oil, pure corn oil, or peanut oil. Do not use ground-nut oil, sunflower oil, soya oil, olive oil, lard or dripping.
- Never mix different oils and fats together.
- Do not mix the used oil with the new oil together if possible.
- Store the used oil in the pot with lid closed, without being plugged in, to keep it fresh and clean.

## B. Filling the frying basket:

- 1) Gently place the foods to be fried into the frying basket and do not exceed the  $\frac{1}{2}$  capacity of the basket. Never overfill.

**Note:**

- Moist foods, such as chipped potatoes, need to be blotted with toweling before frying. Moist foods cause excess foaming, spattering, and crackling.
- Remove any ice crystals before putting the frozen foods into the hot oil. Frying the frozen foods will take a little longer time.

## C. Frying food:

- 1) Insert the basket handle by sliding the end of the handle into the fixing groove of the basket to hold the basket. See the following photos for the details.



Picture 01



Picture 02



Picture 03

- 2) Make sure that the indicator light goes out before frying food.
- 3) Hold the basket with foods and slowly lower it into the interior bottom of the pot. Then take the basket handle off the basket.
- 4) Cover the pot with the glass lid, if you prefer, to avoid occasional spattering of hot oil.

- 5) Follow the food pack instructions or cook book for the frying time and meanwhile monitor the frying effect through the glass lid.
- 6) Wait a couple of minutes to let the oil vapor escape when food reaches desired brownness. Turn off the unit and then open the glass lid.
- 7) Insert the basket handle into the basket groove. Lift the basket with fried food out of the pot and place the fried food on the absorbent paper. Season to taste.
- 8) Unplug the cord from wall outlet and then from the unit when unit is not in use.

## **Caution:**

- Do not plunge the basket quickly into hot oil.
- Do not touch the pot and glass lid when unit is hot. Grasp the plastic lid knob to open the lid.
- Do not carry or move the unit when the oil is hot.

## **Note:**

- If too much food is fried at the same time, the food will not get crisp.
- The pieces of food should be of equal size and thickness.
- Avoid cooking pieces of food that are extra thick.

## **D. Oil use and filtering:**

After each use, always strain oil to remove the accumulated residue.

- Place the filter paper on the basket.
- Attach the basket to the edge of the pot.
- Pour oil through the filter paper into the pot.
- Discard the filter paper and unload the basket off the unit.

## **Note:**

It is time to replace the cooking oil if any of the following occur:

- The oil is dark in color.
- The oil has an unpleasant odor.
- The oil smokes when it is heated.
- The oil foams excessively during frying.
- After 8-12 uses.

## **Stewing**

- 1) Remove the lid and basket.
- 2) Add some water or soup in the pot per the cook book instructions.

- 3) Place the food into the pot. Cover the lid.
- 4) Turn the dial to the setting "COOK".
- 5) Adjust the dial to keep the liquid continuously appearing small bubbles when the liquid is boiling.
- 6) Follow the cook book instructions for the stewing time. Taste food when cooking time is up. Add more stewing time if the softer taste is needed.

**Note:**

- Frozen foods need to be defrosted before stewing.
- Avoid removing the lid during stewing.
- Make sure that the water or soup may cover the food to be stewed.

## Steaming

- 1) Place the steamer in the pot and put the basket on the top of the steamer.
- 2) Add sufficient water into the pot, but don't overflow the steamer rack.
- 3) Place the food into the basket. And then cover the lid.
- 4) Turn the dial to the setting "STEAM".
- 5) Follow the cook book instructions for the steaming time. Add more steam time if the softer taste is needed or root food is steamed.

**Note:**

- Frozen foods need more steaming time.
- Avoid removing the lid during steaming.
- Food may be placed before heating or after boiling depending on the cook book instructions.
- Add more boiling water, if needed, to extend the steaming time.
- Use aluminum foil in the basket to hold the food if you intend to retain the juice from the food.

## **CLEANING YOUR MULTICOOKER:**

Unplug the Multicooker and make sure it is cold before cleaning. Clean the outside of the Multicooker with a damp cloth, and then dry. Clean the side of the Multicooker and the basket when you change oil. Use a cloth, hot water and washing-up liquid. For stains use non-scratching cream cleaner.

Rinse and thoroughly dry the pot before refilling with oil.

Clean the lid in hot water and kitchen detergent solution.

Do not use abrasive powders, hard abrasive scourers, and wire wool or washing soda crystals.

## **USEFUL FRYING HINTS:**

After the frozen food thaw, please fill the food into the basket.

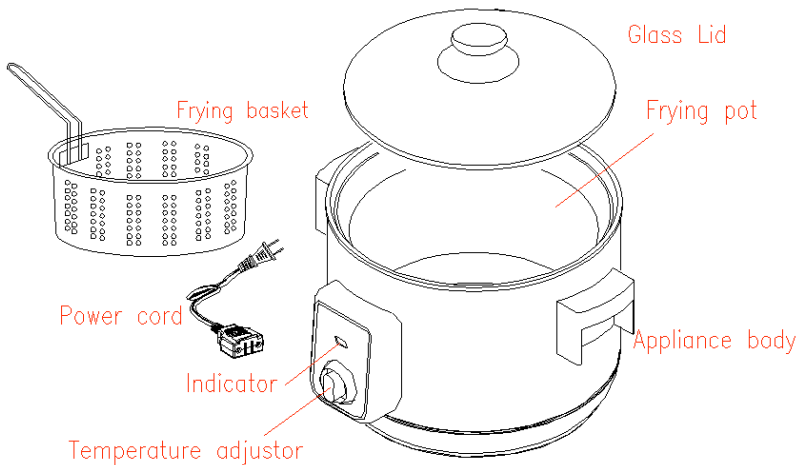
Always dry food well, especially chipped potatoes. If left damp they will not turn crisp.

All foods, except those with a high starch content (chips, doughnuts), should be coated before frying. Typical coating is seasoned flour, breadcrumbs or batter. When frying, carefully time foods to avoid overcooking. The cooking time may vary according to the quantity and thickness of the food being fried. Remember a difference of one or two minutes can result in over cooked food.

# TROUBLESHOOTING

Problems:	Troubleshooting:	Solutions
The oil overflows	Frozen food is covered in ice crystals. Too much oil in the fryer once it has cooled. Basket has been lowered into the oil too quickly. Food not dried before immersing into oil. Too much food in the basket.	Remove ice prior to frying. Remove some of the oil. Lower the basket slowly. Dry food thoroughly. There should be a maximum of 300g of frozen chips or 600g of chipped potatoes.
Oil does not heat	Safety cut-out has been activated.	Contact a qualified service agent.

# PARTS DESCRIPTION



# PRECAUCIONES IMPORTANTES

Al momento de utilizar este electrodoméstico, debe seguirse las siguientes precauciones básicas de seguridad:

-Lea todas las instrucciones.

-No toque las superficies calientes. Utilice los mangos o perillas.

-No encienda el electrodoméstico si hay aceite dentro de la olla ya que se puede apagar debido al sobrecalentamiento.

-No coloque más de 1.2 a 1.5 cuartos de aceite dentro de la olla para freír. Demasiado aceite podría ocasionar salpicaduras durante el proceso de fritura. Muy poco aceite podría afectar el resultado de la fritura.

-Con el fin de evitar el riesgo de que se produzca fuego, una descarga eléctrica o lesiones personales, no sumerja el cordón, enchufe ni el aparato dentro de agua u otro tipo de líquidos.

-Debe tenerse sumo cuidado al momento de utilizar el electrodoméstico o cuando el agua o el aceite se encuentren calientes. Los niños no deben utilizar este aparato.

-Desenchufe el aparato si no lo va a utilizar y antes de proceder a limpiar. Deje que enfríe antes de colocar o retirar piezas y antes de proceder con la limpieza.

-Siempre conecte el cordón al electrodoméstico primero y luego enchúfelo al, tomacorriente. Para desconectar, gire el control a la posición "OFF" y luego proceda a desenchufar.

-El electrodoméstico cuenta con cordón de energía magnética. No deje caer el cordón ni lo golpee ya que podría dañarse.

-No utilice este electrodoméstico si el cordón o el enchufe se encuentran dañados o si el aparato presenta algún desperfecto, ha sufrido una caída o algún tipo de daño. Lleve el electrodoméstico al centro de servicio autorizado para que se lo examine, repare o se le haga los ajustes eléctricos o mecánicos necesarios.

-El uso de accesorios o aditamentos no recomendados por el fabricante podría ocasionar el riesgo de que se produzca fuego, una descarga eléctrica o lesiones personales.

-Asegúrese de que los mangos se encuentren adecuadamente adheridos a la canastilla y asegurados en su lugar. Véase las instrucciones de armado.

-No utilice el aparato al aire libre.

-No permita que el cordón cuelgue del borde de la mesa o repostero de cocina ni que entre en contacto con superficies calientes.

-Debe tenerse sumo cuidado al momento de trasladar el electrodoméstico si éste contiene aceite caliente u otros líquidos calientes.

-No utilice el electrodoméstico para otros fines.

-Este electrodoméstico cuenta con un enchufe polarizado (una extremidad es más ancha que la otra). Con el fin de reducir el riesgo de que se produzca una descarga eléctrica, el enchufe debe encajar dentro de un tomacorriente polarizado sólo de una manera. Si el enchufe no encajara totalmente dentro del tomacorriente, intente dándole la vuelta. Si aún así no encajara, póngase en contacto con un electricista calificado. No intente modificar el enchufe de ninguna manera.

-Todo tipo de mantenimiento debe ser llevado a cabo por el representante de servicio autorizado.

# GUARDE ESTAS INSTRUCCIONES



## INSTRUCCIONES ESPECIALES:

Este producto es para uso doméstico solamente.

Se suministra un cordón eléctrico corto para reducir los riesgos resultantes de enredarse o tropezarse con un cordón largo.

Hay disponibles extensiones eléctricas y pueden usarse si se ejerce cuidado durante su uso.

Si se usa una extensión eléctrica, entonces (1) La clasificación eléctrica marcada en la extensión debe ser por lo menos tan grande como la clasificación eléctrica del aparato. (2) La extensión eléctrica debe ser de tres conductores tipo conexión a tierra, (3) La extensión eléctrica debe acomodarse de manera que no cuelgue de la mesa o barra en donde puede ser jalada por los niños o puede causar que alguien se tropiece.

## PRECAUCIONES

1. ¡No haga trabajar en seco la freidora! No encienda la unidad si la olla no está llena de líquido
2. Este aparato es para uso doméstico solamente.
3. Los trabajos de mantenimiento diferentes a una limpieza deben llevarse a cabo en un Centro de Servicio autorizado.
4. Cuando use este aparato, proporcione espacios adecuados por encima del aparato y hacia todos los lados para la circulación de aire. En superficies sobre las que el calor podría causar un problema, le recomendamos usar una almohadilla aislada.
5. Cuando se usa por primera vez, se producirá humo. Continúe con el calentamiento de la unidad hasta que deje de generarse humo.
6. No coloque ningún objeto sobre la olla de acabado antiadherente.
7. Conecte la unidad en contactos de pared apropiadamente cableados solamente.
8. Cuando no esté en uso, mantenga siempre seca la unidad, especialmente la olla con acabado antiadherente.
9. Nunca deje la freidora sin atención mientras esté conectada a la fuente de energía.
10. No sobrecargue la canasta (particularmente con alimentos congelados) para evitar el riesgo de desbordamiento de aceite.
11. A pesar de los altos estándares del aislante de la freidora, no deben tocarse las superficies metálicas externas e internas una vez que se ha abierto la tapa. Cuando la freidora está en operación, se generan temperaturas altas las cuales pueden causar quemaduras

12. Nunca coloque su mano sobre la tapa mientras la freidora se encuentre en operación, ya que el vapor que escapa está demasiado caliente.
13. Filtre el aceite regularmente. Los depósitos de alimentos tienden a quemarse y causan un rápido deterioro del aceite. En circunstancias extremas pueden incendiarse.
14. Si el aceite se enciende, coloque la tapa, extinga el fuego y desconecte el aparato del suministro de energía. Nunca trate de extinguir el fuego usando agua.
15. Para evitar que el aceite caliente se desborde, reemplácelo después de 8 a 12 usos. Todos los alimentos contienen humedad, particularmente los alimentos congelados, y cuando se fríen, esto aumenta la cantidad de agua en el aceite.
16. No deje el mango instalado en la canasta mientras fríe. Retire siempre el mango.
17. Nunca mueva la freidora mientras el aceite está aún caliente.
18. Use el aparato sobre una superficie de trabajo estable, lejos del agua.
19. No desconecte la clavija jalando el cordón eléctrico.
20. Al remover la tapa, tenga cuidado con el vapor que se eleva entre la olla y la tapa.
21. Lave por favor la olla recubierta del material antiadherente y la tapa usando agua y hágalo una vez que el aparato ya esté desconectado del suministro de energía.
22. La olla está recubierta de un buen material antiadherente, de manera que tenga cuidado con lo siguiente:
  - a) Maneje con cuidado la olla antiadherente y la canasta para freír. No las deje caer.
  - b) No use utensilios de orillas filosas como espátulas o volteadores metálicos, tampoco use cuchillos.
  - c) No use polvos para pulir ni cepillos de nylon o metálicos. La olla es lavable.
23. Antes de freír alimentos, coloque la tapa de vidrio justo sobre la olla. La orilla de la tapa de vidrio debe cubrir completamente la orilla superior de la olla, refiérase a la figura C. Nunca coloque la tapa de vidrio como lo muestra la figura A o B mientras fríe alimentos.
24. Nunca sacuda la tapa de vidrio ni el cuerpo de la freidora mientras fríe.

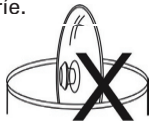


Figura A



Figura B



Figura C



PODRÍAN OCACIONARSE SERIAS QUEMADURAS CON EL ACEITE CALIENTE UTILIZADO EN LA FREIDORA SI ÉSTA ES TIRADA DE UN REPORTERO DE COCINA. NO PERMITA QUE EL CORDÓN CUELGA DEL BORDE DEL REPOSTERO EN DONDE PUEDA SER TIRADO POR UN NIÑO O DONDE ALGUIEN PUEDA ENREDARSE O TROPEZARSE. NO UTILICE UN CABLE DE EXTENSIÓN.


El fabricante no acepta ninguna responsabilidad si el aparato se usa con propósitos comerciales o en una manera que no cumpla con lo estipulado en las instrucciones de operación.

## Cómo utilizar el electrodoméstico correctamente

Al momento de utilizar la freidora la primera vez, se podrá producir un ligero olor o humo debido a la evaporación de residuos de fábrica. Esto es normal durante el primer uso.

Regule la perilla de funciones según se muestra más abajo:

Para su información, cuando la temperatura de ambiente se encuentre entre 70 y 75°F, electrodoméstico tomará:

	<ul style="list-style-type: none"><li>• Alrededor de 22 minutos para alcanzar la temperatura deseada en el nivel "STEAM"-vaporización.</li><li>• Alrededor de 31 minutos para alcanzar la temperatura deseada en el nivel "COOK"-cocción.</li><li>• Alrededor de 39 minutos para alcanzar la temperatura deseada en el nivel "FRY"-frituras.</li></ul>
---	--

**Nota:** Cuando se haya alcanzado la temperatura deseada, la luz indicadora se encenderá y se apagará durante el funcionamiento. Esto es normal ya que el termostato se activa para mantener la temperatura.

## Frituras

### A. Cómo calentar el aceite:

- 1) Vierta el aceite dentro de la olla. Asegúrese de que el nivel de llenado de aceite se encuentre entre las marcas indicadoras de MAXY y MIN que están ubicadas dentro de la olla.
- 2) Gire la perilla a la posición "FRY".
- 3) Coloque la tapa de la olla.
- 4) Conecte el cordón al aparato alineando el enchufe magnético del cordón hacia arriba, dejando las marcas con las palabras "THIS SIDE UP" (hacia arriba) en la posición correcta.
- 5) Conecte el otro extremo del cordón a un tomacorriente de 120 voltios. La luz indicadora se iluminará.

- 6) Precaliente el aceite hasta que luz indicadora se apague. En este momento, la temperatura del aceite se encuentra lista para efectuar la fritura de los alimentos.

**Nota:**

- Utilice solamente aceite vegetal, aceite puro de maíz, o aceite de maní. No utilice aceite de nueces molidas, aceite de girasol, aceite de soya, aceite de oliva, manteca o grasa.
- Nunca mezcle diferentes tipos de aceite.
- No mezcle aceite usado con aceite nuevo dentro de lo posible.
- Guarde el aceite usado en la olla con la tapa en su lugar, sin enchufar el aparato para mantenerlo fresco y limpio.

## B. Cómo llenar la canastilla para freír

- 1) Con cuidado coloque los alimentos a freírse dentro de la canastilla no excediendo la mitad de la capacidad de la canastilla. Nunca llene demasiado.

**Nota:**

- Los alimentos húmedos, tales como las papas cortadas, necesitan secarse un poco con papel toalla antes de freírse. Los alimentos húmedos pueden causar exceso de formación de espuma, salpicaduras y borbotones.
- Retire cualquier resto de hielo antes de colocar los alimentos congelados dentro del aceite caliente. La fritura de alimentos congelados tomará un poco más de tiempo.

## C. Cómo freír los alimentos

- 1) Inserte el mango de la canastilla deslizando el extremo del mango dentro de la ranura que se encuentre en la canastilla. Véase las ilustraciones para más detalles.



Imagen 01



Imagen 02



Imagen 03

- 2) Asegúrese de que la luz indicadora se apague antes de proceder a freír los alimentos.
- 3) Sostenga la canastilla con los alimentos dentro y lentamente colóquela dentro de la olla. Luego retire el mango de la canastilla.
- 4) Cubra la olla con la tapa de vidrio, si lo desea, para evitar salpicaduras del aceite caliente.
- 5) Siga las instrucciones de los alimentos que vienen empacados o de su recetario con respecto a los tiempos de fritura y verifique el proceso a través de la tapa de vidrio.
- 6) Espere un par de minutos para permitir que el vapor producido por el aceite escape cuando los alimentos alcancen el nivel de dorado deseado. Apague el electrodoméstico y luego proceda a retirar la tapa de vidrio.
- 7) Inserte el mango dentro de la ranura de la canastilla. Levante la canastilla con los alimentos fritos sacándola de la olla y coloque los alimentos fritos sobre papel absorbente. Sazone al gusto.
- 8) Desenchufe del tomacorriente y desconecte el cordón del aparato si no se lo va a utilizar.

## **Precaución:**

- No suelte la canastilla de manera intempestiva dentro del aceite caliente.
- No toque la olla ni la tapa de vidrio mientras el aparato se encuentre caliente. Agarre la perilla de plástico de la tapa para retirarla.
- No traslade ni mueva el electrodoméstico mientras el aceite se encuentre caliente.

## **Nota:**

- Si se fríe demasiados alimentos a la vez, éstos no quedarán crocantes.
- Los trozos de alimentos deben ser de igual tamaño y grosor.
- Evite cocer trozos de alimentos que sean demasiado voluminosos.

## **D. Utilización del aceite y filtrado:**

Después de cada uso, cuele el aceite para retirar todo residuo acumulado.

- Coloque el filtro de papel en la canastilla.
- Acople la canastilla al borde de la olla.
- Vierta el aceite a través del filtro de papel dentro de la olla.
- Deseche el filtro de papel y retire la canastilla del aparato.

**Nota:**

Debe reemplazarse el aceite en cualquiera de los siguientes casos:

- El color del aceite es muy oscuro.
- El aceite presenta un olor desagradable.
- El aceite produce humo cuando se calienta.
- El aceite forma demasiada espuma al momento de freír.
- Después de cada 8 a 12 usos.

## Preparación de guisos

- 1) Retire la tapa y la canastilla.
- 2) Añada un poco de agua o sopa dentro de la olla según las instrucciones de su recetario.
- 3) Coloque los alimentos dentro de la olla. Cubra con la tapa.
- 4) Gire la perilla a la posición "COOK".
- 5) Regule la perilla para mantener el hervor una vez que líquido haya hervido completamente.
- 6) Siga las instrucciones de su recetario con respecto a los tiempos. Pruebe los alimentos una vez que termine el tiempo de cocción. Añada más tiempo de ser necesario.

**Nota:**

- Los alimentos congelados necesitan descongelarse antes de guisarse.
- Evite retirar la tapa durante el tiempo de cocción.
- Asegúrese de que el agua o la sopa cubran los alimentos a guisarse.

## Cocción al vapor

- 1) Coloque el vaporizador dentro de la olla y coloque la canastilla encima del vaporizador.
- 2) Coloque la cantidad suficiente de agua en la olla sin sobrepasar el nivel del vaporizador.
- 3) Coloque los alimentos dentro de la canastilla y luego cubra con la tapa.
- 4) Coloque la perilla en la posición "STEAM".

5) Siga las instrucciones de su recetario con respecto a los tiempos. Añada más tiempo de vaporización de ser necesario.

**Nota:**

- Los alimentos congelados necesitan más tiempo de vaporización.
- Evite retirar la tapa durante el proceso de vaporización.
- Los alimentos pueden colocarse antes de calentar o después de hervir dependiendo de las instrucciones de su recetario.
- Añada más agua hirviendo, de ser necesario, para aumentar el tiempo de vaporización.
- Utilice papel aluminio dentro de la canastilla para cubrir los alimentos si se desea mantener los jugos de las comidas.

## **LIMPIANDO SU FREIDORA:**

Antes de la limpieza, desconecte la freidora y asegúrese de que esté fría.

Limpie el exterior usando un trapo húmedo y después séquela.

Limpie la freidora y la canasta cuando cambie el aceite.

Use un trapo, agua caliente y un limpiador líquido. Para las manchas use una crema limpiadora no abrasiva.

Enjuague y seque completamente el contenedor antes de rellenarlo con aceite.

Lave la tapa usando agua caliente y detergente líquido para cocina.

No use polvos abrasivos, fibras rígidas abrasivas, fibras metálicas ni cristales para lavar.



## CONSEJOS ÚTILES:

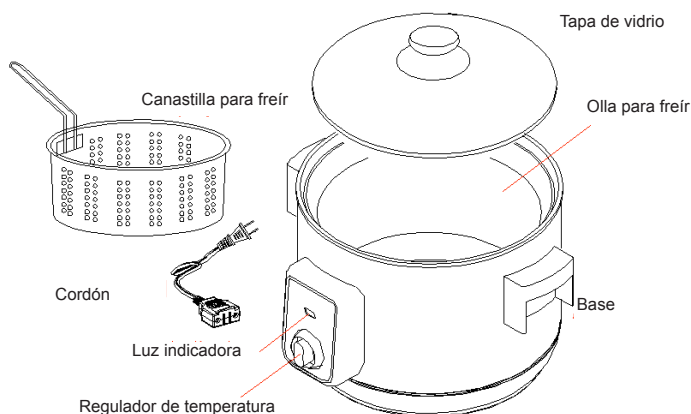
Coloque los alimentos congelados dentro de la canasta hasta que se hayan ablandado.

Siempre seque bien los alimentos, especialmente las papas. Si se fríen húmedas entonces no quedarán crujientes.

Todos los alimentos, excepto aquellos con un alto contenido de almidón (como las papas y las donas) deben recubrirse antes de freírlos. El recubrimiento típico es la harina sazonada, pan molido o pasta. Cuando los fría tome el tiempo a los alimentos para evitar que se cocinen de más. Los tiempos de cocción pueden variar de acuerdo con la cantidad y espesor de los alimentos a freír. Una diferencia de uno o dos minutos puede resultar en alimentos cocinados de más.

Problema:	Causa posible:	Solución
El aceite se desborda	Los alimentos congelados están cubiertos de cristales de hielo. Demasiado aceite en la freidora.  Introdujo demasiado rápido la canasta en el aceite.  Los alimentos no estaban secos antes de sumergirlos en el aceite.  Demasiados alimentos en la canasta.	Remueva el hielo antes de freír. Remueva un poco de aceite una vez que esté frío. Introduzca lentamente la canasta. Seque completamente los alimentos.  Debe haber un máximo de 300 g de papas rebanadas congeladas o 600 g de papas rebanadas.
El aceite no se calienta	Se ha activado el cortacircuito de seguridad.	Contacte a un agente de servicio calificado.

## DESCRIPCIÓN DE LAS PARTES



## Free Manuals Download Website

<http://myh66.com>

<http://usermanuals.us>

<http://www.somanuals.com>

<http://www.4manuals.cc>

<http://www.manual-lib.com>

<http://www.404manual.com>

<http://www.luxmanual.com>

<http://aubethermostatmanual.com>

Golf course search by state

<http://golfingnear.com>

Email search by domain

<http://emailbydomain.com>

Auto manuals search

<http://auto.somanuals.com>

TV manuals search

<http://tv.somanuals.com>