

Continental

Refrigerator

**CLUB TOP
DIRECT DRAW DRAFT
BEER COOLERS**



**MODEL KC59-SS-CT
(shown as SS model)**

Models Available

- KC50-CT
- KC59-CT
- KC69-CT
- KC79-CT
- KC90-CT

Utilizing Environmentally Safe, CFC-free R-134a Refrigerant



Standard Features

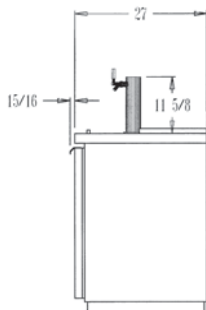
- Modern, State-of-the-Art Styling
- Performance Rated Refrigeration System Utilizing Environmentally Safe R-134a Refrigerant
- Wear Resistant Black Vinyl Coated Steel exterior with 304 Series Stainless Steel Countertop
- Heavy-Duty, Long Lasting, Galvanized Steel Interior with reinforced stainless Steel Floor
- Convenient Refrigerated Bottle and Glass Storage Area with Stainless Steel Slide Lid
- Stainless Steel Reinforced Threshold Sills for Ease of Loading
- Cylinder Keyed Security Lock and Magnetic Snap-In Gasket on Each Door
- Full Length, Extra Large, Evaporator Coil Provides Uniform Air Flow Distribution To Maintain Constant Keg Temperature and Quick Uniform Recovery
- Continuously Cooled 3" Diameter Beer Column with Dual Stainless Steel Lever Faucets (only for KC50), CO2 Pressure Relief Distributor and Keg Line Tubing with Clamps
- Easily Removable Stainless Steel Drip Tray with Convenient Front Mounted Cleanout Drainage Hose
- Easily Accessible and Serviceable Slide-Out Condensing Unit
- Incandescent Interior Lighting
- Readily Removable Front, Rear and Side Venting Louvered Grills Allow Greater Condenser Air Flow for Tight Fit Installations
- Automatic, Energy Saving, Non-Electric Condensate Disposal
- High Density, Non-CFC Polyurethane Foamed-in-Place Insulation

Optional Features & Accessories

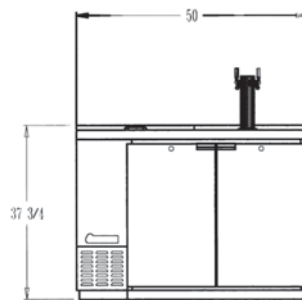
- 4" Locking Casters
- 6" Adjustable Legs
- SS Models-Stainless Steel Exteriors, Galvanized Steel Interior
- Shelves and Pilasters
- Electric Condensate
- Multiple Faucet Beer
- Tapping Eqt. Regulators, Cleaning Eqt.

Extra-Wide Refrigerators

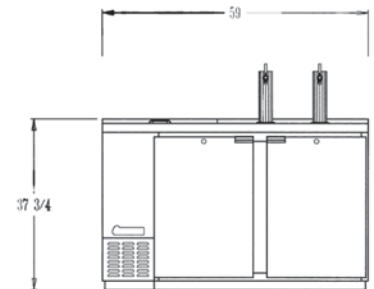
SPECIFICATIONS	Model KC50-CT	Model KC59-CT	Model KC69-CT	Model KC79-CT	Model KC90-CT
DIMENSIONAL DATA					
Net Capacity (cu.ft.)	16	22	26	28	35
Barrel Capacity– (# of Barrel Type Kegs)	–	2	3	4	4
Straight Wall Capacity – (# of Straight Wall Kegs)	2	3	3	4	5
Width, Overall (in.)	50	59	69	79	90
Depth, Overall, (in.)	27	27	27	27	27
Height, Overall (in.) (Not Incl. 12" Towers)	36 3/4	36 3/4	36 3/4	36 3/4	36 3/4
Number of Doors	2	2	2	3	3
Number of Beer Columns	1	2	2	2	2
Condensing Units Size (H.P.)	1/3	1/3	1/3	1/3	1/3
Refrigerant	R-134a	R-134a	R-134a	R-134a	R-134a
Cabinet Electrical Specs	115/60/1	115/60/1	115/60/1	115/60/1	115/60/1
Total Amps	8.6	8.6	9.3	9.3	10.0
Power Supply Cord (10 ft.)	YES	YES	YES	YES	YES
Shipping Weight (lbs.)	355	385	415	455	505
Shipping Height (in.)	43	46	46	46	46
Shipping Length (in.)	58	65	78	109	109
Shipping Depth (in.)	42	42	42	42	42



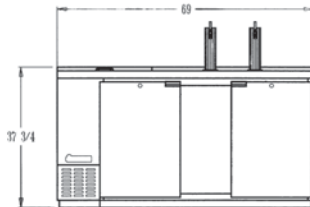
SIDE VIEW



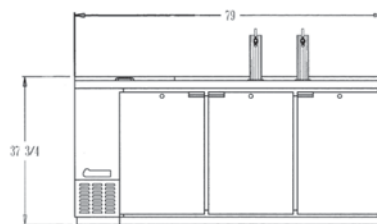
KC50-CT Front View



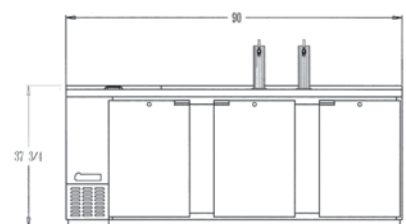
KC59-CT Front View



KC69-CT Front View



KC79-CT Front View



KC90-CT Front View

Continental

Refrigerator

A Division of National Refrigeration & A/C Products, Inc.
 539 Dunksferry Road Bensalem, PA 19020
 (800) 523-7138 Fax: (215) 244-9579
www.continentalrefrigerator.com

Free Manuals Download Website

<http://myh66.com>

<http://usermanuals.us>

<http://www.somanuals.com>

<http://www.4manuals.cc>

<http://www.manual-lib.com>

<http://www.404manual.com>

<http://www.luxmanual.com>

<http://aubethermostatmanual.com>

Golf course search by state

<http://golfingnear.com>

Email search by domain

<http://emailbydomain.com>

Auto manuals search

<http://auto.somanuals.com>

TV manuals search

<http://tv.somanuals.com>